

Parts and Features

Legacy Vitamix Containers - Legacy (C Series and G Series) containers will work with your Explorian blender base. A 20 ounce cup can be used when paired with the Vitamix Personal Cup Adapter. Vitamix Self-Detect containers will not work with the Explorian Blender. Visit vitamix.com for details.

Lid, Lid Plug and Tamper

- Always use the lid and the lid plug when operating the blender.
- Never operate the blender without checking to make sure that the lid is securely locked in place.
- The lid plug is marked so it can be used as a measuring cup.
- Insert the lid plug through the lid plug opening. Lock the plug in place by turning clockwise. To remove, turn counterclockwise and lift out.
- Remove the lid plug to use the tamper or to add ingredients.

Blade Scraper - See Appendix 1 - Accessories

Tamper Holder - See Appendix 1 - Accessories

Motor - The motor is designed to protect itself from overheating. If the blender will not start immediately check to make sure you have plugged the unit in and the On/Off switch is On. If the motor has overheated, allow the motor to cool for 20-45 minutes.

Tips to prevent 'overloading' your blender:

- Process only Vitamix recipes when learning to use the blender.
- Do not process recipes at lower or higher speeds than recommended.
- Do not process recipes for longer than recommended.
- Use your tamper to process thicker mixtures and keep ingredients moving around and through the blades.



IMPORTANT! Know Your Vitamix Container, Lid and Tamper

Note: Vitamix Self-Detect containers will not work with the Explorian Blender.

Lids and tampers are not interchangeable between different container styles, types and sizes. Use the tamper and lid that was supplied with your blender.

How to Determine the Tamper to be Used with Your Container

Before using a tamper during the blending, verify that you have the correct tamper. Only use the tamper with the lid securely locked in place and the lid plug removed. If a tamper came with your blender at purchase, it is the correct tamper to use. If a tamper did not come with your blender or you want to determine if a tamper that you already have can be used with your new container, please use these steps and illustrations to determine what tamper to use.

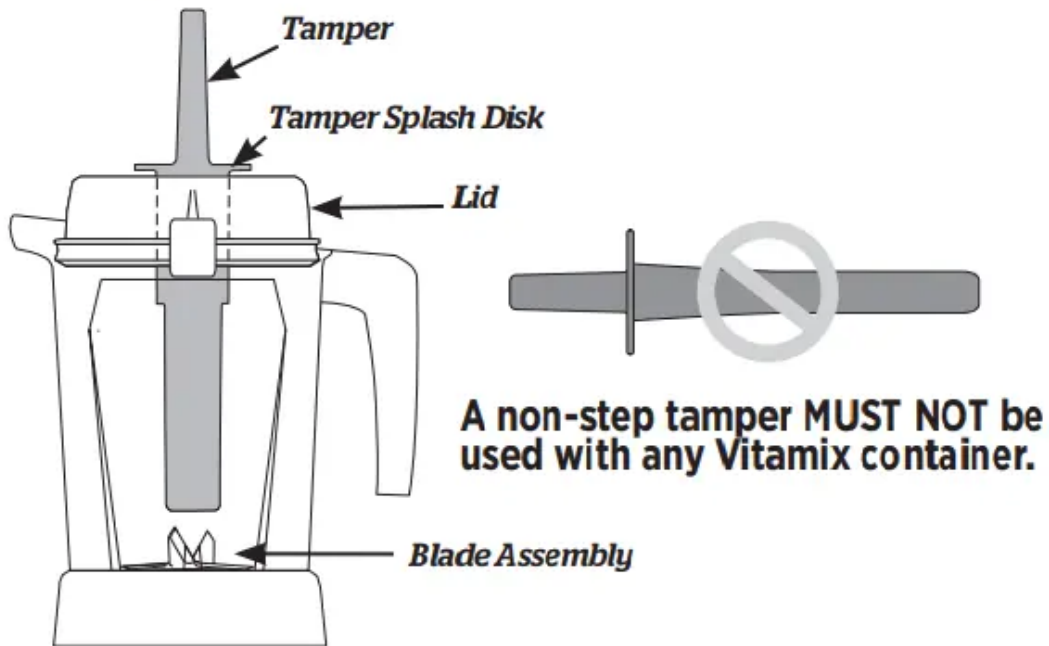
1. Place the lid on an empty container.
2. Remove the lid plug and insert the tamper through the lid plug opening. The tamper should fit easily into the opening. It should not come into contact with the blades no matter where you move the tamper inside the container.

3. Visually inspect: IF THE TAMPER TOUCHES THE BLADES AT ANY ANGLE, DO NOT USE THE TAMPER WITH YOUR CONTAINER.

4. If you do not have the correct tamper for your container, contact Vitamix Household Customer Service at 1.800.848.2649 or 1.440.235.4840.

48 oz. / 1,4 L

The 48 oz. (1.4 L) and 32 oz. (0.9 L) Containers use a tamper which is approximately 9-³/₄ in. long.



Other Vitamix Containers and Tampers

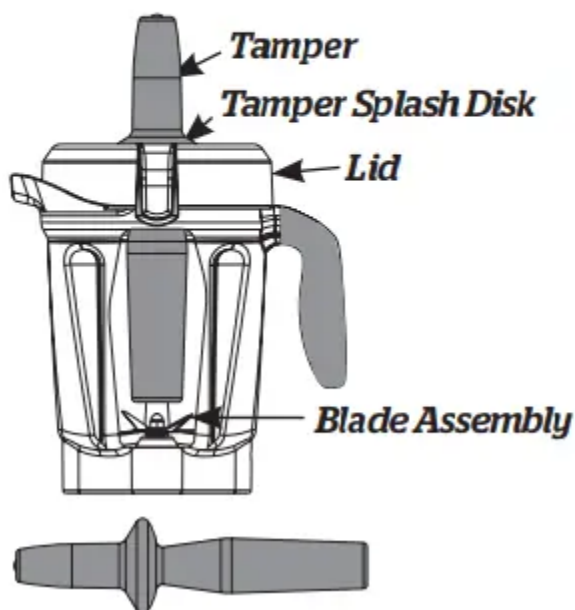
64 oz. / 2,0 L (TALL)

The 64 oz. / 2 L **Tall** Container uses a tamper which is approximately 12-½ in. long.



64 oz. / 2,0 L (SHORT)

The 64 oz. / 2 L **Short** (or Low Profile) Container uses a tamper which is approximately 11 inches long.



Control Panel

On /Off (I/O) Switch - The On/Off switch controls power to the machine.

Variable Speed Dial - The Variable Speed Dial gives you manual control from Variable 1 (slowest) to 10 (highest).

Pulse (⏏) - The blades will rotate at the speed displayed on the control panel when pressed.



Blending

Note: The 20 ounce cup mentioned here are optional accessories of the Explorian Blenders when used with a Vitamix Personal Cup Adapter. Please visit vitamix.com for more information. Refer to the Personal Cup Adapter Owner's Manual for usage details.

1. Load your container according to your recipe (liquids first, then dry goods, leafy greens, fruit & veggies and finally ice and frozen ingredients).

IMPORTANT! Always use the lid and the lid plug on the Large Container when the machine is in operation. Never operate the blender without checking to make sure that the lid and lid plug are securely locked in place.

2. Push the lid down into place until the two tabs snap onto the lip of the container. Insert the lid plug. Turn the lid plug clockwise to lock.
3. Put the container onto the base.
4. Look at the variable speed dial. Make sure it is pointing to Variable speed 1. Press On/Off to start the machine. The blades will begin to turn.

5. Rotate the Variable Speed Dial between 1 and 10 during the blending cycle to increase or decrease the speed of the blades.
6. At the end of the blend, rotate the Variable Speed Dial counter-clockwise to Variable Speed 1. Press On/Off.
7. If the mixture stops circulating, insert the tamper through the lid plug and stir until it 'burps'. If this does not work, press the On/Off switch to stop the motor. Remove the container from the blender base and use a rubber spatula to press the air bubble away from the blades. Add liquid if necessary. Replace the lid and lid plug. Return the container to the blender base and continue blending.
8. After blending, wait until the blades completely stop before removing the lid or container from the blender base.

Tips to prevent 'overloading' your blender:

- Process only Vitamix recipes when learning to use the blender.
- Do not process recipes at lower or higher speeds than recommended.
- Do not process recipes for longer than recommended.
- Use your tamper to process thicker mixtures and keep ingredients moving around and through the blades.

How to use the Tamper:

IMPORTANT! The splash disk (near the top of the tamper) and lid prevent the tamper from hitting the blades when the lid is secured properly in the locked position.

- The container should not be more than two-thirds full when the tamper is used during blending.
- To avoid overheating during blending, DO NOT use the tamper for more than 30 consecutive seconds.
- If the food does not circulate, the blender may have trapped an air bubble. Carefully remove the lid plug, while making sure the lid stays firmly in place. Release the air bubble by inserting the tamper through the lid plug opening.
- Holding the tamper straight down may not help the ingredients circulate. If necessary, point the tamper towards the sides or corners of the container. DO NOT try to force the tamper deeper into the container.

Care and Cleaning

BEFORE FIRST USE:

1. Wipe the base with a warm damp cloth and wipe clean with a dry, soft cloth. Wash the container, lid, lid plug, and tamper with warm, soapy water. Rinse all parts. Wipe dry with a dry, soft cloth.
2. Choose a space on the counter that is level, dry and clean. Plug the blender into a grounded, 3-prong outlet.

Note: Your Vitamix container is designed to be completely cleanable without removing the retainer nut and blade assembly. DO NOT attempt to remove the retainer nut or blade assembly from the container. Our Normal Cleaning and Sanitizing procedures or a dishwasher cleaning cycle will ensure a complete and thorough cleaning of your container and its components. If your container is damaged, please do not use. Contact Vitamix Customer Service IMMEDIATELY for assistance.

Follow these instructions if you prefer not to wash your container in the dishwasher.

To Clean the 48 oz. Container:

1. Fill the container half full with warm water and add a couple of drops of dishwashing liquid.
2. Snap or push the complete 2-Part lid into the locked position.
3. Press Start / Stop. Slowly increase variable speed to 10.
4. Run the machine for 30 to 60 seconds.
5. Rotate the Variable Speed dial back to Variable 1. Press Start/Stop.
6. Rinse and drain all pieces.

To Sanitize the 48 oz. Container using Bleach:

1. Follow the cleaning instructions above.
2. Fill the container half full with water and 1 ½ teaspoons of liquid bleach.
3. Snap or push the complete 2-part lid into the locked position.
4. Rotate the dial clockwise to Variable Speed 1.
5. Press Start / Stop. Slowly increase variable speed to 10.
6. Run the machine for 30 to 60 seconds.
7. Rotate the Variable Speed dial back to Variable 1. Press Start/Stop.
8. Allow mixture to stand in the container for an additional 1 ½ minutes.
9. Pour bleach mixture out. Allow container to air dry. Do not rinse after sanitizing.

To Sanitize the 48 oz. Container using Vinegar:

1. Follow the cleaning instructions above.
2. Prepare the vinegar solution: for the 48 oz container, dilute 16oz. (473 ml) of vinegar in 16oz (473ml) water.
3. Snap or push the complete 2-part lid into the locked position.

4. Begin with Variable Speed 1 on the display. Press Start/Stop.
5. Slowly increase variable speed to 10.
6. Run the machine on variable speed 10 for 2 full minutes.
7. Rotate the Variable Speed dial back to Variable Speed 1. Press Start/Stop.
8. Allow mixture to stand in the container for an additional 3 full minutes. Total contact time of the vinegar solution in the container should equal 5 minutes.
9. Pour vinegar solution out of container over inside surface of 2-part lid. Repeat sanitization procedure a second time (steps 2-9).
10. Allow container and lid to air dry. Do not rinse after sanitizing. If necessary, rinse immediately before next use.
11. Pour bleach mixture out. Allow container to air dry. Do not rinse after sanitizing.

Lids, Lid Plug, Centering Pad, Tamper, Tamper Holder and Blade Scraper

All parts listed above are dishwasher safe. If preferred, wash the parts in warm soapy water. Rinse clean under running water, then dry

Blender Base

1. Turn off and unplug the blender.
2. Wash the outside surface with a damp, soft cloth or sponge that has been rinsed in a mild solution of liquid dish soap and warm water. Do not place the blender base in water. The centering pad can be removed for more thorough cleaning. The centering pad is dishwasher safe.
3. Immediately dry all surfaces and polish with a soft cloth.

Tamper Holder use and care instructions

Note: When properly installed, the tamper holder will not interfere with blender operation. The tamper holder can be installed on the left or right side of the motor base.

1. Clean the parts by hand with warm, soapy water or in the top rack in the dishwasher before assembling.
2. Choose a side of the motor base to install the tamper holder.
3. Lift up the blender base. Put the tamper holder base onto the blender frame. Lower the blender base back onto the work surface or counter. Put the tamper holder cup onto the tamper holder base. Twist the tamper holder cup clockwise to lock into place.
4. Make sure the blender is sitting flat and steady (no rocking side to side) before blending. When installed properly, the inside flat surface of the tamper holder cup will sit flush with the side of the blender (See photo).

5. Remove the tamper holder from the blender regularly to clean. To remove the tamper holder cup, rotate the cup counter-clockwise.

6. To remove the base, lift up on the motor base and remove the tamper holder base.



Blade Scraper use and care instructions

IMPORTANT!



Keep hands and utensils out of container while blending to reduce the risk of severe injury to persons or damage to the blender. A rubber scraper, spatula or blade scraper may be used, but only when the blender is not running and after the container has been removed from the motor base. Do not leave foreign objects, such as spoons, forks, knives, scrapers, spatulas or the lid plug, in the container as this will damage the blades and other components when starting the blender and may cause injury.



1. Clean the parts by hand with warm, soapy water or in the top rack in the dishwasher before use.
2. Use the blade scraper to remove thick ingredients like jam and peanut butter from under the blades only after the container has been removed from the motor base.

Important Safeguards



WARNING: To avoid the risk of serious injury when using your Vitamix® blender, basic safety precautions should be followed, including the following. READ ALL INSTRUCTIONS, SAFEGUARDS, AND WARNINGS BEFORE OPERATING BLENDER.

1. Read all instructions.
2. Do not use blender for other than intended use.
3. Not intended for use by or near children or persons with reduced physical, sensory, or mental capabilities or lack of experience and knowledge. Close supervision is necessary when any blender is used by or near children or incapacitated persons. Children should be supervised to ensure that they do not play with the blender.
4. WARNING: To avoid inadvertent activation, turn off and unplug before cleaning.
5. CAUTION: In order to avoid a hazard due to inadvertent resetting of the thermal cut-out, power to this blender must not be supplied through an external switching device, such as a timer, or connected to a circuit that is regularly switched on and off by the utility.
6. To protect against risk of electrical shock, do not put the blender base in water or other liquid.
7. Unplug from outlet when not in use, before putting on or taking off parts, and before cleaning.
8. Always check that the blender is OFF before plugging cord into wall outlet. To disconnect, turn OFF the blender, then remove plug from wall outlet.
9. Avoid contacting moving parts.
10. Do not operate any blender with a damaged cord or plug or after the blender malfunctions, or is dropped or damaged in any manner. Call Vitamix Customer Service at 1.800.848.2649 or 1.440.235.4840 or email service@vitamix.com at once for examination, repair, replacement, or adjustment. If purchased outside the U.S.A. or Canada, contact your local Vitamix dealer.
11. GFI circuit breakers might be installed in your kitchen. Look for them in outlets near sinks. If the blender won't operate, unplug the blender. Reset the wall outlet or circuit breaker. If the circuit breaker continues to trip, unplug the blender from the outlet. Allow the blender to sit for 24 hours before attempting to use it again. Contact Vitamix Customer Service if the problem persists.

12. Alteration or modification of any part of the blender, including the use of any part or parts that are not genuine authorized Vitamix parts, may cause fire, electric shock, or injury and will void your warranty.
13. The use of attachments not expressly authorized or sold by Vitamix for use with this blender, including canning jars, may cause fire, electric shock, or injury. Use in this way will void your warranty.
14. Do not use outdoors.
15. Do not let cord hang over edge of table or counter.
16. Do not place on or near a hot gas or electric burner, in or on a heated oven.
17. Keep hands and utensils out of container while blending to reduce the risk of severe injury to persons or damage to the blender. A rubber scraper or spatula may be used, but only when the blender is not running.
18. The tamper provided must be used only when the main part of the lid is in place.
19. Blades are sharp. Clean around the blade assembly in the container with extreme care to avoid injury.
20. To reduce the risk of injury, never place a blade assembly on the motor base unless assembled to the Vitamix container.
21. Care should be taken when handling the sharp cutting blades, emptying the container and during cleaning.
22. Do not leave foreign objects, such as spoons, forks, knives or the lid plug, in the container as this will damage the blades and other components when starting the blender and may cause injury.
23. Never attempt to operate with damaged blades.
24. Never attempt to operate with the centering pad removed.
25. Always operate blender with lid and lid plug firmly in place. DO NOT remove 2-part lid while blades are rotating. Only remove the lid plug to add ingredients and to use the tamper.
26. When blending hot liquids or ingredients in the 48 oz. container, use caution; spray or escaping steam may cause burns. Do not fill container to the maximum capacity. Always begin processing on the lowest speed setting, variable speed 1. Keep hands and other exposed skin away from lid opening to prevent possible burns.
27. DO NOT use your 20 ounce cup to heat ingredients or to blend hot liquids. Heated ingredients and liquids may create internal pressure which could cause the cup to burst and cause injury.
28. DO NOT continuously use your machine for more than 75 seconds with the 20 ounce cup.

29. If a cup becomes warm to the touch or steams or vents, immediately stop blending ingredients and turn off or unplug blender. Allow the cup and ingredients to cool to room temperature before removing the blade base.
30. When making nut butters or oil-based foods, do not process for more than one minute after the mixture starts to circulate in the container. Processing for longer periods can cause overheating.
31. Make sure that the container or cup and personal cup adapter are flush with the centering pad to ensure that the drive spline is engaged with the drive socket before operating.
32. Make sure to use the seal on the blade base and tighten the cup adequately to the blade base before blending.
33. Never place the personal cup adapter onto the blade base without the cup attached.

IMPORTANT INSTRUCTIONS FOR SAFE USE

This product is intended for HOUSEHOLD USE ONLY and is not intended to be used for commercial purposes.

Do not leave your Vitamix blender unattended when operating.

Any repair, servicing, or replacement of parts must be performed by Vitamix or a Vitamix authorized service representative.

NOTICE: THE FAILURE TO FOLLOW ANY OF THE IMPORTANT SAFEGUARDS AND IMPORTANT INSTRUCTIONS FOR SAFE USE IS A MISUSE OF YOUR VITAMIX BLENDER THAT CAN VOID YOUR WARRANTY AND CREATE THE RISK OF SERIOUS INJURY.

Warning

This content is compiled from multiple sources and is provided for reference purposes only. It may not be complete or fully applicable to all situations. If you are unable to resolve your issue, please contact the product manufacturer or an authorized service provider for official support.