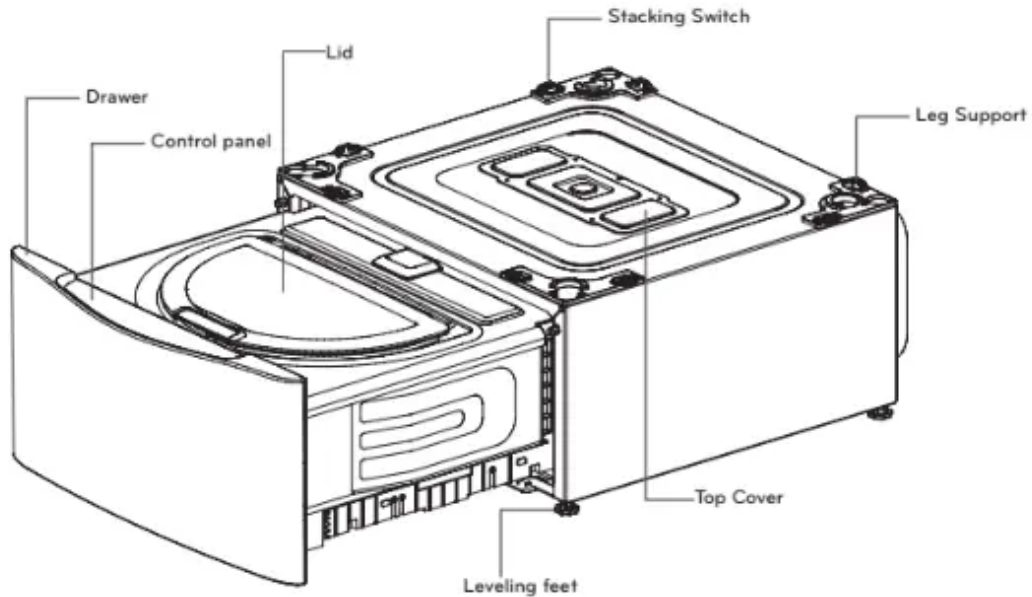


## FEATURES AND BENIFITS

### KEY PARTS AND COMPONENTS



#### **A INVERTER DIRECT DRIVE MOTOR**

The inverter motor, which is directly connected to the tub, produces less noise and vibration while offering outstanding durability and a long lifespan.

#### **B COMPACT CAPACITY & NEVERUST™ STAINLESS STEEL TUB**

The efficient design provides capacity in a compact space.

#### **C FRONT TOUCH PANEL**

The simple LED display shows cycle options, setting, cycle status and estimated time remaining. The touch buttons offer more convenience and a premium design aesthetic.

#### **D SMART DIAGNOSIS™**

If you ever experience an issue with your LG washer, you don't have to worry. The SmartDiagnosis™ feature helps the service center diagnose problems over the phone, or with a simple app on your smart phone, helping you minimize costly, inconvenient service calls.

#### **E REMOTE CONTROL RCW1 (OPTIONAL)**

Don't want to bend down to reach the controls? Set cycles with the touch of a button on the optional remote control (available online or through an LG retailer).

INCLUDED ACCESSORY					
					
2 Inlet Hoses-Short	2 Inlet Hose Y-Connectors	Drain Hose Y-Connector	Drain Hose	Non-Skid Pads	
					2 Inlet Hoses
Wrench	2 Tie Straps	3 Band clamp	Screws	Detergent Dispenser	

## INSTALLATION INSTRUCTIONS

### CHOOSE THE PROPER LOCATION

#### WARNING

- Two or more people are required when moving, unpacking, and stacking the washer. Failure to follow this warning may result in damage to property or serious bodily harm.
- Store and install the washer where it will not be exposed to weather or to temperatures below freezing. Failure to follow this warning can cause serious injury, fire, electric shock, or death.
- Properly ground the washer to conform with all electric governing codes and ordinances. Failure to follow this warning can cause serious injury, fire, electric shock, or death.
- To reduce the risk of electric shock, do not install the washer in humid spaces. Failure to follow this warning can cause serious injury, fire, electric shock, or death.
- To ensure proper air flow, do not block the large opening on the bottom of the washer with carpeting or other materials.
- Do not remove the ground prong. Do not use a 2-prong adapter or 2-wire extension cord. Failure to follow these warnings can cause serious injury, fire, electric shock, or death.

#### CAUTION:

- This pedestal washer must be installed underneath a matching front-loading LG washing machine manufactured after 2009. (The 29" wide machine must be stacked under a 29" wide LG front-loading washer. The 27" wide machine must be stacked under a 27" wide LG front-loading washer.)
- The pedestal washer will not work as a standalone unit.
- The pedestal washer must be stacked under an LG brand appliance in order to operate properly.

## Power Outlet

- The power outlet must be within 60 in. (1.5 m) of either side of the washer.
- The appliance and outlet must be positioned so that the plug is easily accessible.

### WARNING:

- For best performance, plug the washer into its own individual outlet. If necessary, use a new, UL-listed 3-prong adapter or 3-wire extension cord with a 3-prong grounding) plug rated at no less than the branch circuit. Do not use an extension cord longer than three feet. Failure to follow these warnings can result in serious injury, fire, electric shock, or death
- The outlet must be grounded in accordance with current wiring electric codes and regulations.
- Time-delay fuse or circuit breaker is recommended.

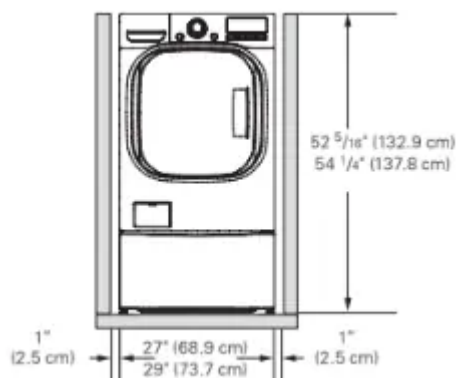
**NOTE:** It is the personal responsibility and obligation of the product owner to have a proper outlet installed by a qualified service technician.

## FLOORING

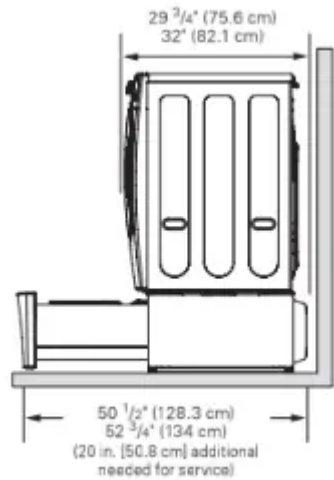
- To minimize noise and vibration, the washer MUST be installed on a solidly constructed floor.
- Allowable slope under the entire washer is a maximum 1 inch. difference from side to side or from front to back.
- Installing on carpeting and soft tile surfaces is not recommended.
- Never install the washer on a platform or weakly supported structure.

**NOTE:** The washer must be installed on firm flooring to minimize vibration during the spin cycle. Concrete flooring is best, but a wood floor is sufficient, provided it is built to FHA standards. The washer should not be installed on rugs or exposed to weather.

Do not use a drip pan as it can block the drawer. Using the drip pan may result in increased vibration and noise during operation.

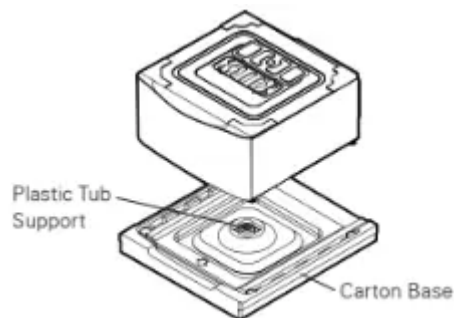


To ensure sufficient clearance for water lines and airflow, allow minimum clearances of at least 1 in. (2.5 cm) at the sides and 4 in. (10 cm) behind the unit. Be sure to allow for wall, door, or floor moldings that may increase the required clearances.



## UNPACKING AND REMOVING SHIPPING MATERIAL

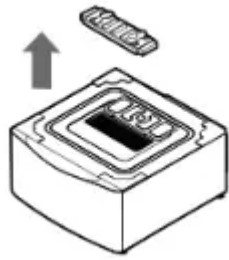
1. After removing the carton and shipping material, lift the washer off the foam base. Make sure the plastic tub support comes off with the base and is not stuck to the bottom of the washer.



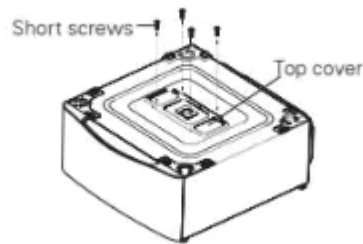
If you must lay the washer down to remove the base packaging materials, always protect the side of the washer and lay it carefully on its side. DO NOT lay the washer on its front or back.

2. Save the foam block for future use. If the washer must be moved in the future, the foam block will help prevent damage to the washer during transportation.

**NOTE:** To prevent damage, do not remove the foam block until the washer is at the final location.

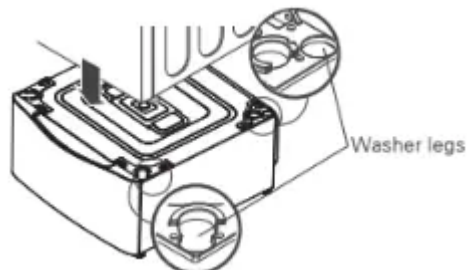


3. Turn the top cover about 180 degrees. Cover the upper hole with the top cover and install 4 short screws (included in packing box) to fix it in place.

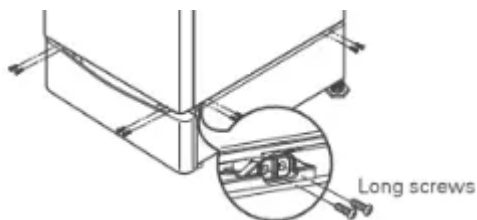


**WARNING:** The top cover must be installed to avoid the risk of electric shock or short circuit. Failure to do so can cause serious injury, fire, electric shock or death.

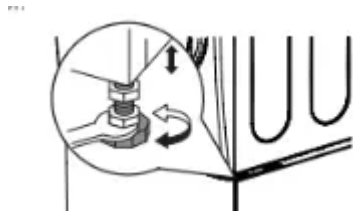
4. Make sure the leveling legs on the front-loading washer are fully retracted before stacking it on top of the pedestal washer. Position the appliance on top of the pedestal washer.



5. Make sure the holes on the pedestal washer align with the holes in the front-loading washer, then install 4 long screws (included in box) at each corner to securely attach the front-loading washer to the pedestal washer.



6. Extend the legs of the front-loading washer slightly until it is snugged up against the pedestal washer.



### Tools You Will Need

- Adjustable Pliers
- Carpenter's Level



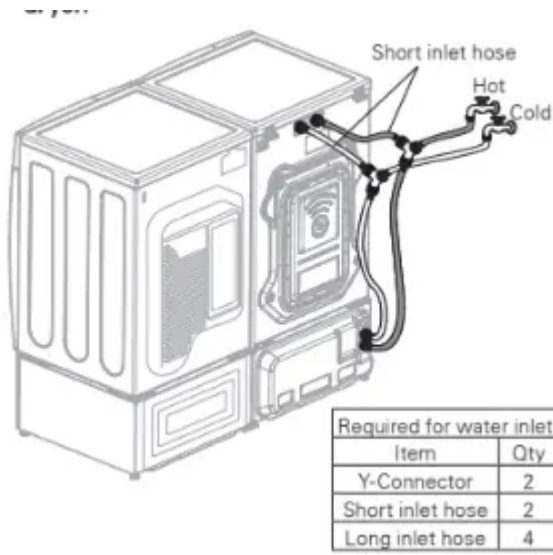
- Screwdriver



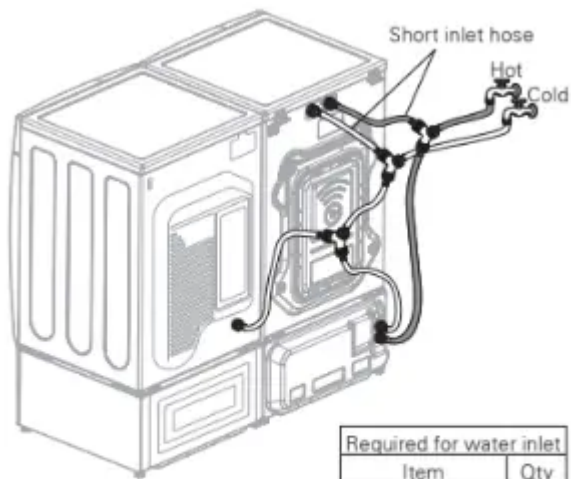
## OVERVIEW OF CONNECTIONS

### Connecting the water LINES with FULL-SIZE APPLIANCES

#### 1. Front-loading washer and pedestal washer with dryer.



#### 2. Front-loading washer and pedestal washer with Turbo Steam dryer

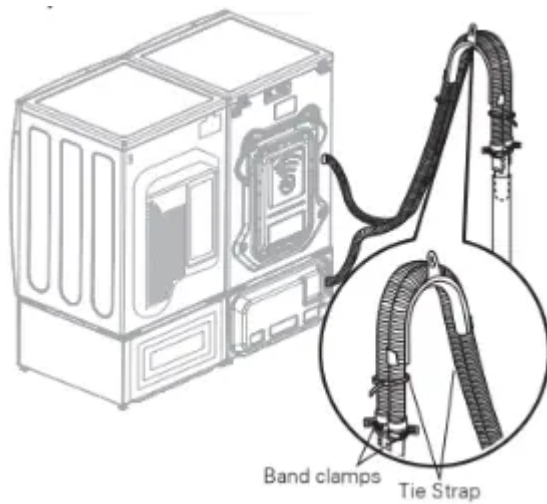


Required for water inlet	
Item	Qty
Y-Connector	3
Short inlet hose	3
Long inlet hose	5

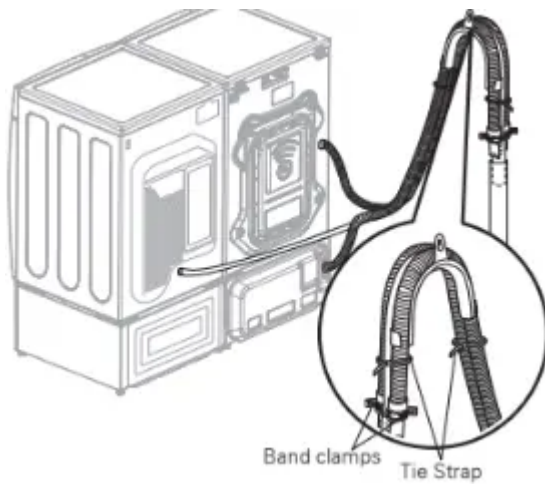
long inlet hoses sold separately

## Connecting The Drain Hose With Full-Size Washer

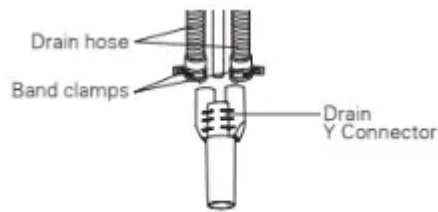
### 1. Front-loading washer and pedestal washer with dryer.



### 2. Front-loading washer and pedestal washer with hybrid dryer



## DETAIL VIEW OF DRAIN CONNECTOR CONNECTION



For narrow standpipes, insert hybrid dryer drain hose in center of drain connector. **DO NOT** insert dryer drain hose further than 1 inch (2.5 cm). Use tie straps to keep hoses in place.

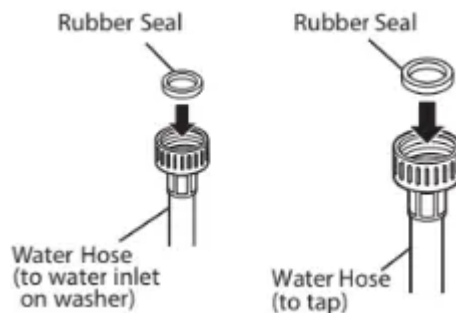
## CONNECTING THE WATER LINES

### NOTE:

- For your safety, and for extended product life, use high-quality LG components. LG is not responsible for product malfunction or damage caused by the use of separately purchased non- LG parts.
- Do not reuse old hoses. Use only new hoses when installing the washing machine. Old hoses could leak or burst causing flooding and property damage. Contact LG Customer Service for assistance in buying hoses: 1-800-243-0000.
- Do not use flood-preventing hoses with auto shutoff devices. The devices can be tripped during fill and prevent the machine from filling properly.

### 1. Check the fittings and seals.

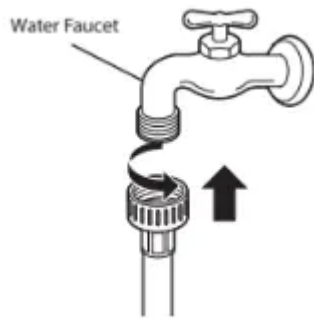
Inspect the threaded fitting on each hose and make sure there is a rubber seal in place in both ends of each hose to prevent leaking.



### 2. Connect the water supply hoses.

Connect the water supply hoses to the HOT and COLD water faucets tightly by hand and then tighten another 2/3 turn with pliers. Connect the blue hose to a cold water faucet and the red hose to a hot water faucet.

**WARNING:** Do not overtighten. Damage to the coupling can result.



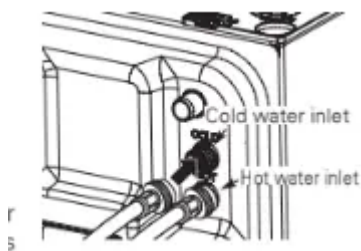
### 3. Flush out the inlet hoses.

After connecting the inlet hoses to the water faucets, turn on the water faucets to flush out foreign substances (dirt, sand or sawdust) in the water lines. Let water drain into a bucket, and check the water temperature to make sure you've connected the hoses to the correct faucets.



### 4. Attach the hot water line to the provided inlet

Y-connector and attach the short water line from the Y-connector to the full-size washer inlet. Then attach the long water line from the Y-connector to the pedestal washer inlet. Repeat with the cold water connections. Tighten the fittings securely. Turn on both faucets all the way and check for leaks at both ends of the hoses.



### WARNING:

- Do not overtighten the hoses or crosstread
- the hose fittings. Overtightening or cross- threading can damage the valves, resulting in leaking and property damage.

## NOTE:

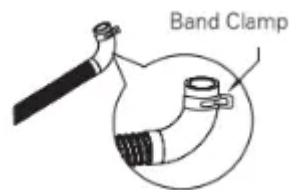
- Periodically check the hoses for cracks, leaks, and wear, and replace the hoses every five years. Do not stretch the water hoses intentionally, and make sure that they are not pinched, crushed or kinked by other objects.
- Water supply pressure must be between 20 psi and 120 psi (138–827 kPa). If the water supply pressure is more than 120 psi, a pressure reducing valve must be installed.
- To provide optimum washing performance, set the hot water temperature at 120°–135°F (48°– 57°C) and the cold at 60°F (15°C).
- Never install or store the washer in a location subject to freezing temperatures. Damage to the water lines and internal mechanisms of the washer can result. If the washer was exposed to freezing temperatures prior to installation, allow it to stand at room temperature for several hours before use and check for leaks prior to operation.

## CONNECTING THE DRAIN HOSE

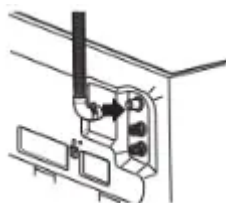
- The drain hose should always be properly secured. Failure to properly secure the drain hose can result in flooding and property damage.
- The drain must be installed in accordance with any applicable local codes and regulations.
- Make sure that the drain hose is not stretched, pinched, crushed, or kinked.

### Connecting the Pedestal Washer Drain Hose

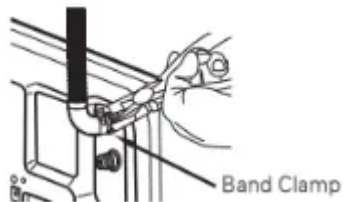
1. Insert the band clamp (included in packing box) on to the drain hose elbow.



2. With the hose leading up from the elbow, insert the elbow onto the drain outlet on the back of the pedestal washer.

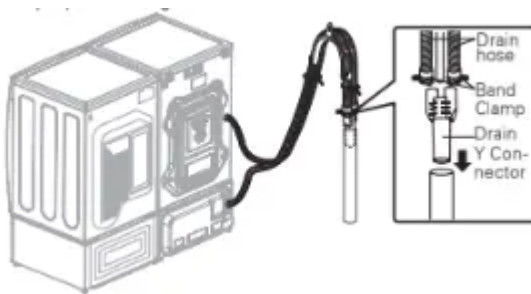


3. Adjust the band clamp with pliers to keep the hose securely in place and prevent leaking.



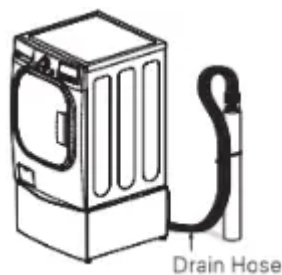
### Using the Drain Connector

- Connect the drain hose of the full-size washer and the pedestal washer to the drain connector. Insert the included band hose clamps on to the ends of the two drain hoses. Push the drain hoses firmly onto the drain connector. Adjust the band hose clamps to prevent the hoses from coming loose or leaking. Failure to do so could result in flooding. Use of the drain connector helps avoid siphoning, odors, or improper draining.



### Option 1: Standpipe

Bend the outlet end of the drain hoses to form a U shape. Insert the end of the drain connector into the drain. Use the three tie straps included with the installation materials in the foam block in the tub to secure the drain hoses to each other and to the drain. See Overview of Connections for details. If your drain is a standpipe, fasten the drain hoses to the standpipe with the tie strap provided.



### NOTE:

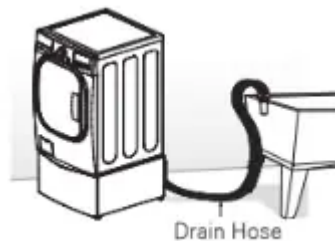
- Normal height of the end of the hoses should be approximately 35"~47" (90~120 cm) from the floor.
- Do not install the end of the drain hoses lower than 29". (73.7 cm) or higher than 96 in. (243.8 cm) above the bottom of the washer or more than 60 in. (152.4 cm) away from the washer.

- Never create an airtight seal between the hoses and the drain with tape or other means. If no air gap is present, water can be siphoned out of the tub resulting in poor wash/rinse performance or clothing damage.
- For best performance, if there is an additional drain hose from a hybrid dryer, place the drain hose in the standpipe next to the drain connector.
- If the standpipe is too narrow to fit both the drain connector and the dryer drain hose, the dryer drain hose may be inserted up to 3/4 in. into the center channel of the drain connector. See Overview of Connections, page 10.

**CAUTION:** Inserting the dryer drain hose farther than 3/4 in. will cause leaking and improper draining.

### Option 2: Laundry Tub

Bend the end of the drain hoses to the desired shape and support them on the edge of the laundry tub. Use the tie strap to secure the drain hoses in place.

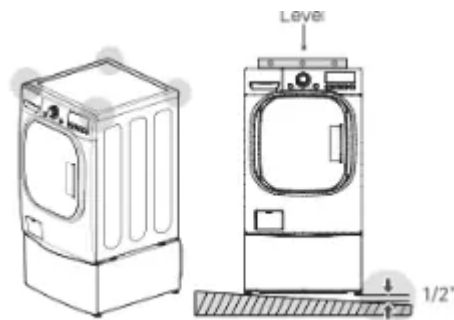


**NOTE:** Do not use this drain hose with a floor drain. The end of the drain hose must be at least 29 inches above the floor for proper draining to occur.

### Leveling the washing machine

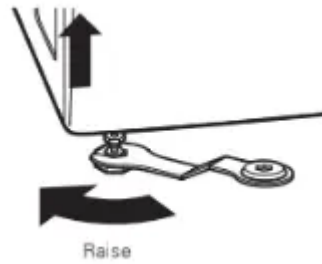
The washer tub of your new washing machine spins at very high speeds. To minimize vibration, noise, and unwanted movement, the floor must be perfectly level and solid.

- Check that the washing machine is level.
  - Check for levelness by rocking the top edges of the washing machine or placing a level on the washing machine. The slope beneath the washing machine must not exceed 1/2", and all four leveling feet must rest firmly on the floor.



- Turn the lower leveling feet clockwise to level the washing machine.

- Turning the lower leveling feet clockwise raises the washing machine.



- Turn the locknuts counterclockwise and tighten them when the washing machine is level.



- Check again that the washing machine is level.
  - Push or rock the top edges of the washing machine gently to make sure that the washing machine does not rock.
  - If the washing machine rocks, repeat steps 1 to 3.

**WARNING:**

- Using the washing machine without leveling may cause it to malfunction, producing excess vibration and noise.
- When stacking the full-size washing machine on the pedestal washer, use the leveling feet on the pedestal washer to level both. The full-size washing machine's leveling feet should be minimized and the locknuts turned counterclockwise to secure them.
- Use the leveling feet only when you level the washing machine. If you raise the leveling feet unnecessarily, it may cause abnormal vibration of the washing machine.

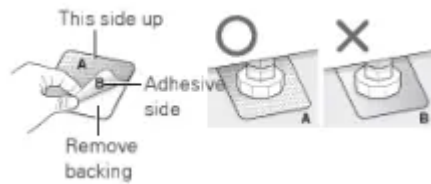
**Using non-skid pads (optional)**

If you install the washing machine on a slippery surface, it may move because of excessive vibration. Incorrect leveling may cause malfunction through noise and vibration. If this occurs, lay the non-skid pads under the leveling feet and adjust the level.

- Clean the floor to attach the non-skid pads.
  - Use a dry rag to remove foreign objects or moisture. If moisture remains, the non-skid pads may slip.
- Adjust the level after placing the washing machine in the installation area.
- Place the adhesive side of the non-skid pad on the floor.



- It is most effective to install the non-skid pads under the front legs. If it is hard to place the pads under the front legs, place them under the back legs.

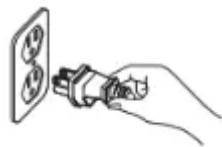


- Check again that the washing machine is level.
  - Push or rock the top edges of the washing machine gently to make sure that the washing machine does not rock. If the washing machine rocks, level the washing machine again.

### CONNECTING TO THE POWER SUPPLY

The washer should be plugged into a 120 VAC, 60 Hz, 3-prong (grounded) outlet. Plug in the washer.

**WARNING:** Improper connection of the equipment grounding conductor can result in risk of electric shock. Check with a qualified electrician or service technician if there is doubt that the outlet is properly grounded. Do not modify the plug provided with the appliance. Never damage or cut off the ground prong of the power cord. If the cord does not fit the outlet, have a proper outlet installed by a qualified electrician. Failure to follow these warnings can result in serious injury, fire, electric shock, or death.



### WARNING:

- The power outlet must be within 60 inches (1.5 m) of either side of the washer. y The appliance and outlet must be positioned so that the plug is easily accessible.
- Plug the washer into an electrical outlet which has a voltage rating that matches the rating plate. For best performance, plug the washer into its own individual outlet. This helps prevent overloading house wiring circuits which could cause a fire hazard from overheated wires.
- If necessary, use a new, UL-listed 3-prong adapter or 3-wire extension cord with a 3-prong (grounding) plug rated at no less than the branch circuit. Do not use an extension cord longer than three feet. Failure to follow these warnings can cause serious injury, fire, electric shock, or death.
- The outlet must be grounded in accordance with current wiring codes and regulations.
- Time-delay fuse or circuit breaker is recommended.

- It is the personal responsibility and obligation of the product owner to have a proper outlet installed by a qualified electrician.
- Do not use a worn or damaged power cord or power plug. Replace or repair it immediately.
- Failure to do so may result in death, fire, electric shock, or malfunction.
- Do not modify the power cord and take care not to damage it when installing or moving the washing machine. Failure to do so may result in death, fire, electric shock, or malfunction.
- Make sure that the washing machine is grounded.
- Connect this washing machine to a grounded outlet conforming to the rating prior to use. Failure to do so may result in fire, electric shock, or malfunction.
- Do not damage or cut off the ground prong of the power cord. Doing so may cause death, fire, electric shock, or product malfunction.

## **SORTING WASH LOADS**

### **Caution:**

- **Do not load items higher than the top edge of the tub.** Failure to follow this caution can result in leak- age or damage to fabrics.
- **Use the Bedding cycle in the full-size washer for buoyant or nonabsorbent items such as pillows or comforters.** Refer to owner's manual included with washing machine. Failure to follow this caution can result in leakage.

### **Grouping Similar Items**

For the best washing results, and to reduce the possibility of damage to clothing, sort the clothing into loads that are made up of similar items.

Mixing different fabric types and/or soil levels can result in poor wash performance, color transfer, discoloration, fabric damage or linting. Sort fabrics into groups as described below.

### **Colors**

Sort articles by color. Wash dark clothes together in a separate load from light colors or whites. Mixing dark clothes with light clothes can result in dye transfer or discoloration of the lighter clothes.

### **Soil Level**

Wash heavily soiled clothing in the full-sized washer. Washing lightly soiled clothing in the same load with heavily soiled clothing could result in poor wash performance for the lightly soiled clothing. The pedestal washer is optimized for use with lightly soiled and delicate items.

### **Fabric Type**

Do not mix delicate items with heavier or sturdier fabrics. Washing heavier fabrics in a delicate load can result in poor wash performance for the heavier fabrics and possible damage to the delicate items.

### Lint Type

Some fabrics attract and bind lint to them while others give off lint in the laundry process. Avoid mixing these lint collectors and lint producers in the same load. Mixing these fabrics results in pilling and linting on the lint collectors. (For example, lint collector – knit sweater; lint producer – terry cloth towels.)

#### **SORT LAUNDRY...**

By Colors	By Soil	By Fabric	By Lint
White	Heavy	Delicates	Lint Producer
Lights	Normal	Easy Care	Lint Collector
Darks	Light	Sturdy	

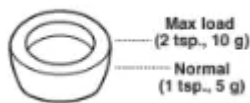
### Loading the Washer

- Check all pockets to make sure that they are empty. Items such as clips, matches, pens, coins, and keys can damage both the washer and the clothes.
- Close zippers, hooks, and drawstrings to prevent these items from snagging or tangling on other clothes.
- Pretreat heavily stained areas for best results.
- To prevent an out-of-balance load, do not wash single items. Add one or two similar items to the load. Large, bulky items, such as a blanket, comforter, or bedspread, should be washed individually in the full- size washer.
- The washer will not fill or operate with the lid open.
- Don't overload the tub. Clothes should fit loosely in the tub under the maximum fill line. Loading clothes over the fill line may result in damage to clothing and the washer.

## DETERGENT AND DISPENSER USE

### A WORD ABOUT DETERGENTS

High-Efficiency (HE) detergents produce fewer suds, dissolve more efficiently to improve washing and rinsing performance, and help to keep the interior of your washer clean. Using detergent that is not HE may cause oversudsing and unsatisfactory performance which could result in error codes, cycle failure, and machine damage.



This machine requires very little detergent. For proper wash performance, always use the dispenser and measuring device provided with the machine. The dispenser holds a

maximum of 2 teaspoons (5g/10cc) of HE detergent. Most normal loads require only 1 teaspoon (5g/5cc) of detergent, or filling the dispenser to the halfway line.

Using too much detergent may cause oversudsing and unsatisfactory performance. Reduce detergent amount or add an extra rinse if detergent residue is left on fabrics. To add an extra rinse, press the Extra Rinse button.



**IMPORTANT:** Your washing machine is designed for use with only High-Efficiency (HE) detergents. HE detergents are formulated specifically for High-Efficiency washers and contain suds-reducing agents. Always look for the HE symbol when purchasing detergent.

**IMPORTANT:** Not all detergents are the same. Pay careful attention to the amount of detergent used to avoid oversudsing, poor rinsing and detergent buildup in clothing, and residue buildup that can contribute to odors in the machine. The maximum measure on the dispenser provided should only be used for very large loads. Using too much detergent can result in detergent buildup in the washer and in your clothes.

Always measure the detergent amount. While HE detergents are designed for this type of washing machine, be careful when measuring the detergent. For most normal loads, no more than 1 teaspoon or half the provided dispenser/measuring device of HE detergent should be used.

**NOTE:**

- Extra care must be exercised when using 2X and X concentrated detergents because even a little bit extra can contribute to the problems mentioned above.
- Detergents designated as HE compatible may not provide optimal results.

## **USING THE DETERGENT**

1. Slide the drawer open, open the lid, and add the garments into the tub.
2. Measure the detergent with the detergent dispenser and pour it into the tub.
3. Close the lid, slide the drawer closed, and press the START/PAUSE button to start the cycle.

**NOTE:** Liquid chlorine bleach or powdered bleach cannot be used in the pedestal washer. To use bleach, use the full-size washer and follow instructions in the owner's manual for that machine.

**IMPORTANT:** Do not place or store laundry products, such as detergent, bleach, or liquid fabric softener, on top of your washer or dryer. Wipe up any spills immediately. These products can damage the finish and controls.

## Using Bleach

Do not use liquid chlorine bleach or powdered bleach in the pedestal washer. To bleach items, use the full-size washer and follow the instructions in the owner's manual included with that machine.

## Using Fabric Softener

The pedestal washer chimes repeatedly before the final rinse so liquid fabric softener can be added to the load, if desired. Use 1/4 the amount of softener recommended by the manufacturer for a normal load.

When the machine chimes, press Start/Pause to pause the cycle.

1. Slide the drawer open, open the lid, and add the liquid fabric softener to the detergent dispenser. The softener can also be diluted with water and added directly into the tub. Do not pour undiluted softener directly onto clothing because it may stain fabrics.
2. Close the lid, slide the drawer closed, and press Start/Pause to restart the cycle.
3. To disable or enable the fabric softener alert, press and hold the Warm Water and Extra Rinse buttons at the same time for three seconds.

If you miss the softener add point:

1. Press the Power button to interrupt the cycle.
2. Select the Rinse+Spin cycle and press the Start button to start the cycle.
3. Add the fabric softener at the chimes following instructions above.

## HOW TO USE

### CONTROL PANEL FEATURES



### A POWER (ON/OFF) BUTTON

Press to turn the washer ON. Press again to turn the washer OFF. Pressing the POWER button during a cycle will cancel that cycle and any load settings will be lost. The drawer will unlock after a brief pause.

**NOTE:** When the Power button is pressed, the Normal cycle is selected by default. To modify the default options or choose another cycle, press the cycle selector (v) button to illuminate the display.

### **B CYCLE SELECTOR BUTTON**

Press this button to select the desired cycle. Once the desired cycle has been selected, the standard presets will appear in the display. These settings can be adjusted using the cycle setting buttons any time before starting the cycle.

**NOTE:** To protect your clothing, not all settings are available on all cycle selections.

### **C START/PAUSE BUTTON**

Press this button to start the selected cycle. If the washer is running, use this button to pause the cycle without losing the current settings.

**NOTE:** If you do not press the START/ PAUSE button within 4 minutes of selecting a cycle, the washer automatically turns OFF and all cycle settings are lost.

### **D OPTION BUTTONS**

Use these buttons to adjust the settings for the selected cycle. The setting lights above the buttons illuminate to show the current selection.

### **E TIME AND STATUS DISPLAY**

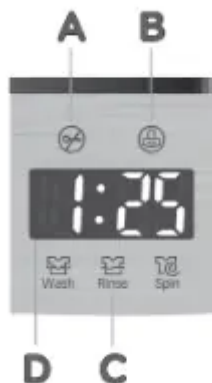
The display shows the cycle status and estimated time remaining.

### **F REMOTE CONTROL SENSOR**

Use the remote to set the controls without bending down to reach the control panel.

### **TIME AND STATUS DISPLAY**

The time and status display shows the estimated time remaining and cycle progress.



## **A DRAWER LOCK INDICATOR**

The DRAWER LOCK indicator will illuminate once a cycle has started. The indicator light will stay on until the cycle is paused, stopped or has finished.

## **B CHILD LOCK**

When the Child Lock function is activated, the LED lights up. When the Child Lock function is set, except for the POWER button, the other functions are disabled. Once the Child Lock function is disabled, the LED will turn off.

## **C CYCLE STATUS INDICATOR**

These LEDs will illuminate when a cycle is selected to indicate which stages will run. When a cycle is running, the LED for the active stage will blink, and the LEDs for the remaining stages will remain steady. Once a stage is complete, the LED will turn off. If a cycle is paused, the active stage LED will stop blinking.

## **D ESTIMATED TIME REMAINING**

When a cycle is selected, the default time for that cycle is displayed. This time will change as modifiers or options are selected.

**NOTE:** The time shown is only an estimate. This time is based on normal operating conditions. Several external factors (load size, room temperature, incoming water temperature, water pressure, etc.) can affect the actual time.

## OPERATING THE WASHER



### 1. SORT LAUNDRY AND LOAD THE WASHER

Sort laundry by fabric type, soil level, color and load size, as needed. Open the lid and load items into the washer.

### 2. CLEANING PRODUCTS

Measure High-Efficiency (HE) detergent with the dispenser and pour it into the washer.

### 3. TURN ON THE WASHER

Press the POWER button to turn ON the washer. The cycle lights illuminate and a chime sounds.

#### **4. SELECT A CYCLE**

Press the cycle selector button to select the desired cycle. When you press Power the Normal cycle is selected by default. To modify the options, press the cycle selector button to activate the display. The optional remote control can also be used to select the desired cycle.

#### **5. ADJUST SETTINGS**

Default settings for the selected cycle can now be changed, if desired, using the option buttons.

**NOTE:** Not all options are available on all cycles. A different chime will sound and the light will not turn on if the selection is not allowed.

#### **6. BEGIN CYCLE**

Press down gently on the lid handle until it clicks and slide the drawer closed. Press START/PAUSE to begin the cycle. The drawer locks, and the washer starts the cycle. If the START/PAUSE button is not pressed within 4 minutes, the washer shuts off and all settings are lost.

#### **7. ADD FABRIC SOFTENER**

A repeated chime sounds before the final rinse. When the chime sounds, pause the machine and add liquid fabric softener within three minutes, if desired.

#### **8. END OF CYCLE**

When the cycle is finished, a melody will sound. Immediately remove the clothing from the washer to reduce wrinkling.

**WARNING:** To reduce the risk of fire, electric shock, or injury to persons, read the IMPORTANT SAFETY INSTRUCTIONS before operating this appliance.

### **CYCLE GUIDE**

The cycle guide below shows the default settings, available options and recommended fabric types for each cycle. Allowable modifier adjustments are shown below the default setting for each cycle.

Cycle	Cycle Use	Est. Time	Wash Temp.	Extra Rinse	Child Lock
Normal	Lightly soiled cotton, t-shirts, towels, jeans, mixed loads.	39 ~ 116	Warm	●	●
			Cold		
Intimates	Lingerie, underwear, pajamas, delicates, etc.	47 ~ 103	Warm	●	●
			Cold		
Hand Wash	Sweaters, knits, items labeled hand-washable, etc.	47 ~ 103	Warm	●	●
			Cold		
Active Wear	Specially designed/treated performance clothing.	43 ~ 103	Warm	●	●
			Cold		
Rinse + Spin	Pre-treats stains, or rinses off soap and drains tub	8 ~ 90		●	●
Tub Clean	Cleans tub and removes mildewy odor.	58	Warm		●
			Cold		

## WASH CYCLES

Wash cycles are designed for the best wash performance for each type of load. Select the cycle that best matches the load contents for maximum wash performance and fabric care. Press the cycle selector button to select the desired cycle. When you select a wash cycle, the light for the corresponding wash cycle will turn on. See page OPERATING THE WASHER, for more details on operating methods.

### Normal

Use this cycle to wash lightly soiled normal items, except delicate fabrics such as wool or silk.

**NOTE:** Pressing the START/PAUSE button without selecting a cycle will cause the NORMAL cycle to begin immediately using the default settings.

### Intimates

Use this cycle to wash delicate items such as lingerie or sheer and lacy clothes which could easily be damaged in a normal cycle. This cycle is not for silk items.

### Hand Wash

Use this cycle to wash shrinkable woolen or hand-washable items requiring delicate care. Only wash woolen items that are labeled machine wash or hand wash.

### Active Wear

Use this cycle to wash performance garments that are specially designed and treated for sports.

### Rinse + Spin

Select this option to rinse and spin a load separately from a regular cycle. This can be helpful in preventing fresh stains from setting in fabrics.

## **Spin Only Cycle**

To activate a spin only cycle, select the Rinse+Spin cycle. Then press the Extra Rinse button six times or until the display shows 8 and the Rinse icon is no longer illuminated on the panel.

## **Tub Clean**

Use this cycle to clean

## **OPTIONS**

After selecting a cycle, select additional features for the load.

### **NOTE:**

- To protect your garments, not every feature is available with every cycle.
- If the START/PAUSE button is not pressed within minutes to start the cycle, the control will shut off and all settings will be lost.

## **WARM WATER**

The warm water option is selected by default on the Normal and Intimates cycles. It can be deselected by pressing the Warm Water button. The water temperature cannot be set on the Rinse + Spin.

## **EXTRA RINSE**

This option add an extra rinse to the selected cycle. Use this option to help ensure the removal of detergent from fabrics. A chime sounds repeatedly before the final rinse so the machine can be paused and liquid fabric softener added, if desired.

### **NOTE:**

- You cannot select the Extra Rinse option with the Tub Clean cycle.
- A chime sounds repeatedly about 20 second before the final rinse so the machine can be paused and liquid fabric softener added, if desired.

## **CHILD LOCK**

Use this option to disable the controls. This feature can prevent children from changing cycles or operating the machine. Once the Child Lock is set, it must be deactivated before any controls, except the Power button, can be used. Once the washer has shut off, the Power button will allow the machine to be turned ON, but the controls will still be locked. When the controls are locked, CL will display alternately with the estimated time remaining. Press and hold the Extra Rinse button for 3 seconds to activate or deactivate Child Lock.

**NOTE:** Once the controls are locked, they must be manually unlocked to restore operation.

## CARE AND CLEANING

### WARNING:

To reduce the risk of fire, electric shock, or injury to persons, read and follow this entire Owner's Manual, including the Important Safety Instructions, before operating this washer.

- **Unplug the washer before cleaning to avoid the risk of electric shock.** Failure to follow this warning can cause serious injury, fire, electric shock, or death.
- **Never use harsh chemicals, abrasive cleaners, or solvents to clean the washer.** They will damage the finish.

### REGULAR CLEANING

#### Cleaning the Exterior

Proper care of your washer can extend its life. The outside of the machine can be cleaned with warm water and a mild, nonabrasive household detergent. Immediately wipe off any spills with a soft, damp cloth.

**IMPORTANT:** Do not use solvents, cleaning alcohols or similar products. Never use steel wool or abrasive cleaners because they can damage the surface.

#### Care and Cleaning of the Interior

Use a towel or soft cloth to wipe around the washer lid opening and lid glass.

Always remove items from the washer as soon as the cycle is complete. Leaving damp items in the washer can cause wrinkling, color transfer, and odor. Run the Tub Clean cycle once a month, or more often if needed, to remove detergent buildup and other residue.

#### TUB CLEAN Cycle

Some environmental and usage conditions can cause a residue to build up in the tub over time and can lead to a mildewy or musty smell. The Tub Clean cycle is specially designed to remove this buildup using bleach or other cleaners designed specifically for cleaning washing machines. Run the Tub Clean cycle once a month, or more often under heavy use conditions or if odor is present

1. Remove any clothing from the tub.
2. Dilute 1/4 cup of liquid chlorine bleach in 1 quart of water and pour the mixture in the tub. Do not use any more than 1/4 cup of liquid bleach. Do not let bleach sit in the tub for a long period before running the Tub Clean cycle. **NOTE:** For other tub cleaning products, follow the cleaner manufacturer's instructions and recommendations.
3. Close the lid and drawer and press the POWER button to turn the washer ON. Select the Tub Clean cycle then press the START/PAUSE button to begin the cycle. Selecting

any other cycle after Tub Clean has been selected will cause the Tub Clean cycle to be cancelled.

4. After the cycle ends, open the lid and allow the tub interior to dry completely.

**NOTE:**

- Never load laundry while using TUB CLEAN. The laundry may be damaged or contaminated with cleaning products. Make sure to run the Tub Clean cycle ONLY when the tub is empty.
- Leave the lid open after finishing the laundry to keep the tub clean.
- Tub Clean should be repeated monthly.

**Removing Mineral Buildup**

If you live in an area with hard water, mineral scale can form on internal components of the washer. Use of a water softener is recommended in areas with hard water.

Use a descaler, such as Washer Magic®, to remove visible mineral buildup. After descaling, always run the Tub Clean cycle before washing clothing.

Mineral scale and other spots may be removed from the stainless steel tub using a stainless steel cleaner. Do NOT use steel wool or abrasive cleaners.

**Leave The Lid Open**

If the washer will not be used for several days, leave the lid and drawer open to allow the tub to dry.

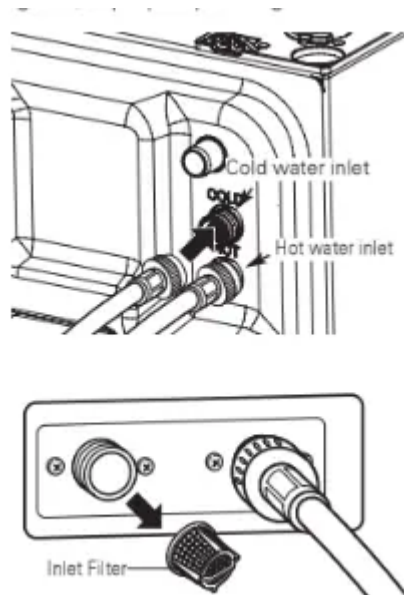
**MAINTENANCE**

**Cleaning the Water Inlet Filters**

If the washer does not fill properly, an error message will show on the display. The inlet valve filter screens could be plugged by hard water scale, sediment in the water supply, or other debris.

**NOTE:** The inlet screens protect the delicate parts of the inlet valve from being damaged by particles that could enter the valves with the water supply. Operating the washer with these filters removed could cause a valve to stick open resulting in flooding and/or property damage.





1. Turn OFF both water faucets completely. Unscrew the hot and cold water lines from the back of the washer. **IMPORTANT:** Aftermarket hoses are not guaranteed to fit or function correctly. Other hoses may not tighten correctly and could cause leaks. Subsequent damage to product or property will not be covered under the terms of the product warranty.
2. Carefully remove the filters from the water valves and soak them in white vinegar or a lime scale remover, following the manufacturer's instructions. Be careful not to damage the filters while cleaning.
3. Rinse thoroughly before reinstalling. Press the filters back into place.
4. Before reattaching the hoses, flush the hoses and water lines by running several gallons of water into a bucket or drain, preferably with the faucets wide open for maximum flow.

**NOTE:** An *IE* message may blink on the display when the water pressure is weak or an inlet filter is clogged with dirt. Clean the inlet filter.

## Storing the Washer

If the washer will not be used for an extended period of time and is in an area that could be exposed to freezing temperatures, perform the following steps to protect the washer from damage.

1. Turn OFF the water supply.
2. Disconnect the hoses from the water supply and drain water from the hoses.
3. Plug the power cord into a properly grounded electrical outlet.
4. Add 1/4 gallon of nontoxic recreational vehicle (RV) antifreeze to the empty tub and close the lid. **Never** use automotive antifreeze.

5. Press the POWER button, then select the Spin Only cycle (see page 20). Press the START/ PAUSE button to activate the drain pump. Allow the drain pump to run for one minute, then press the POWER button to shut off the washer. This will expel some of the antifreeze, leaving enough to protect the washer from damage.
6. Unplug the power cord, dry the tub interior with a soft cloth, and close the lid.
7. Store the washer in an upright position.
8. To remove the antifreeze from the washer after storage, run a complete wash cycle using detergent. Do not add laundry to this cycle.

## SMART DIAGNOSIS™ SYSTEM

Should you experience any problems with your washing machine, it has the capability of transmitting data via your telephone to the Smart Diagnosis Team. This gives you the capability of speaking directly to our specially trained technicians. The technician records the data transmitted from your machine and uses it to analyze the issue, providing a fast and effective diagnosis.

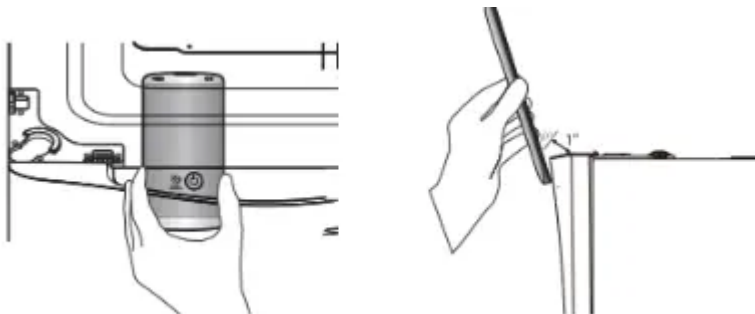
If you experience problems with your washer, call in Canada). Only use the Smart Diagnosis System feature when instructed to do so by the Smart Diagnosis Team. The transmission sounds that you will hear are normal and sound similar to a melody.

Smart Diagnosis cannot be activated unless your washing machine can be turned on by pressing the POWER button. If your washing machine is unable to turn on, then troubleshooting must be done without using Smart Diagnosis.

### Using the Smart Diagnosis™ System

Follow the technician's instructions and perform the following steps when requested.

**Hold** the mouthpiece of your phone over the power button, when instructed to do so by the call center, no more than one inch from (but not touching) the machine.



**NOTE:** Do not press any other buttons.

**Push** and hold the Warm Water button while continuing to hold your phone to the POWER button.

**Listen** for three beeps. After you hear the three beeps, release the Warm Water button. Keep the phone in place until the tone transmission has finished. The display will count down the time. Once the countdown is over and the tones have stopped, resume your conversation with the technician, who will then be able to assist you in using the information transmitted for analysis.

Smart Diagnosis is a troubleshooting feature designed to assist, not replace, the traditional method of troubleshooting through service calls. The effectiveness of this feature depends upon various factors, including, but not limited to, the reception of the cellular phone being used for transmission, any external noise that may be present during the transmission, and the acoustics of the room where the machine is located. Accordingly, LG does not guarantee that Smart Diagnosis would accurately troubleshoot any given issue.

## **TROUBLESHOOTING**

### **NORMAL SOUNDS YOU MAY HEAR**

The following sounds may be heard while the washer is operating. They are normal.

#### **Clicking:**

Lid lock relay when the lid locks and unlocks.

#### **Spraying or hissing:**

Water spraying or circulating during the cycle.

#### **Humming or gurgling:**

Drain pump is pumping water from the washer at times during a cycle.

#### **Water sloshing sound:**

A liquid in the balance ring around the wash basket helps the basket spin smoothly.

#### **Sound of water being added after the washer has already been in operation**

- The washer adapts to the load size and type to add more water to the cycle as needed.
- The wash load may be unbalanced. If the washer senses that the load is unbalanced, it will stop and refill to redistribute the load.
- The washer may be diluting laundry additives to add to the wash load.

### **BEFORE CALLING FOR SERVICE**

Your washing machine is equipped with an automatic error-monitoring system to detect and diagnose problems at an early stage. If your washer does not function properly or does not function at all, check the following before you call for service:

### **Rattling and clanking noise**

- Foreign objects, such as keys, coins, or safety pins may be in tub .
  - Stop washer, check tub for foreign objects. If noise continues after washer is restarted, call for service.

### **Thumping sound**

- Heavy wash loads may produce a thumping sound.
  - This is normal. If sound continues, washer is probably out of balance. Stop and redistribute wash load.
- Wash load may be out of balance.
  - Pause the cycle and redistribute the load after the lid unlocks.

### **Vibrating noise**

- Packaging materials were not re- moved.
  - See the Unpacking and Removing Shipping Material section in the installation requirements section.
- Wash load may be unevenly dis- tributed in the tub.
  - Pause the cycle and redistribute the load after the lid unlocks.
- Not all leveling feet are resting firmly and evenly on the floor.
  - See Leveling the Washer in the Installation Instructions section.
- Floor not rigid enough.
  - Make sure that the floor is solid and does not flex. See Flooring in the Installation Requirements section.

### **Water leaking**

- Inlet hose connection is loose at faucet, washer, or Y-connector.
  - Check hoses and Y-connectors for leaks, cracks and splits.
  - Check and tighten hose connections.
- House drain pipes are clogged.
  - The washer pumps out water very rapidly. Check for water backing up out of the drain pipe during drain. If water is seen coming out of the drain, check for proper drain hose installation and check for restrictions in the drain. Contact a plumber to repair drain pipe.
- Drain hose has come out of drain connector or is not inserted far enough.
  - Tie drain hose to inlet hose or standpipe to prevent it from coming out during drain. For smaller drain pipes, insert the drain hose into the pipe as far as

the drain hose flange. For larger drain pipes, insert the drain hose into the pipe 1-2 inches past the flange.

- Load is too large for the tub.
  - Reduce the load or use the full-size washing machine. Use the BULKY/ BEDDING cycle on the front-loading washer for large or bulky items.
    - Stop the washer and check the load. Make sure the load fits loosely in the tub and the lid closes easily.

### **Wrinkling**

- Washer not unloaded promptly.
  - Always remove items from the washer as soon as the cycle is complete.
- Washer overloaded.
  - The washer can be fully loaded, but the tub should not be tightly packed with items. The lid of the washer should close easily.
- Hot and cold water inlet hoses are reversed.
  - Hot water rinse can set wrinkles in garments. Check the inlet hose connections.

### **Excessive sudsing**

- Too much detergent or incorrect detergent.
  - HE detergents are formulated specifically for High-Efficiency washers and contain suds-reducing agents. Only use detergent with the High-Efficiency (HE) logo. For detergent quantities refer to the How to Use section. If sudsing or detergent residue continue to be an issue, add an Extra Rinse.

### **Staining**

- Washer was not unloaded promptly.
  - Always remove items from the washer as soon as possible after the cycle is complete.
- Clothes were not properly sorted.
  - Always wash dark colors separately from light colors and whites to prevent discoloration.
  - Never wash heavily soiled items washed with lightly soiled items.

### **Washer will not turn**

- Power cord is not properly plugged in.
  - Make sure that the plug is plugged securely into a grounded, 3-prong, 120-VAC, 60-Hz outlet.
- House fuse is blown, circuit breaker has tripped, or power outage has occurred.
  - Reset circuit breaker or replace fuse. Do not increase fuse capacity. If the problem is a circuit overload, have it corrected by a qualified electrician.

**NOTE:** If the washer stopped during a cycle due to a loss of power, the washer will resume the cycle where it stopped when the power is restored.

### **Wash cycle time is longer than usual**

- The washer automatically adjusts the wash time for the amount of laundry, water pressure and other operating conditions.
  - This is normal. The washer adjusts cycle time automatically to provide optimal results for the selected cycle. The time remaining shown in the display is only an estimate. Actual time may vary.

### **Musty or mildewy odor in washer**

- Incorrect or too much detergent has been used.
  - Use only High-Efficiency (HE) detergent in accordance with the manufacturer's instructions. This machine requires very little detergent. 1-2 teaspoons is sufficient to wash a full load.
- Inside of tub was not cleaned properly.
  - Run the Tub clean cycle regularly.

### **Water leaks**

- Oversudsing of detergent.
  - Oversudsing may create leaks, and may be caused by the type and amount of detergent used. High-Efficiency detergent is the only detergent recommended. Always reduce the amount of detergent if the load is small or lightly soiled, or if your water is very soft. Never use more than the maximum amount shown in the dispenser provided.

### **Washer will not operate**

- Control panel has powered off due to inactivity.
  - This is normal. Press the POWER button to turn the washer on.

- Washer is unplugged.
  - Make sure cord is plugged securely into a working outlet.
- Water supply is turned off.
  - Turn both hot and cold faucets fully on.
- Controls are not set properly.
  - Make sure the cycle was set correctly, close the lid and press the START/PAUSE button.
- Lid or drawer is open
  - The washer will not operate if the lid is open. Close the lid and drawer make sure that nothing is caught under the lid preventing it from closing completely.
- Circuit breaker/fuse is tripped/ blown.
  - Check house circuit breakers/fuses. Replace fuses or reset breaker. The washer should be on a dedicated branch circuit. The washer will resume the cycle where it stopped once power is restored.
- Control needs to be reset.
  - Press the POWER button, then re-select the desired cycle and press the START/PAUSE button.
- START/PAUSE was not pressed after a cycle was set.
  - Press the POWER button then re-select the desired cycle and press the START/PAUSE button. The washer will shut off if the START/PAUSE button is not pressed within 4 minutes.
- Extremely low water pressure.
  - Check another faucet in the house to make sure that household water pressure is adequate.
- Washer is too cold.
  - If the washer has been exposed to temperatures below freezing for an extended period of time, allow it to warm up before pressing the POWER button. Otherwise, the display will not come on.

### **Washer not filling properly**

- Filter clogged.
  - Make sure the inlet filters on the fill valves are not clogged. Refer to the filter cleaning instructions.

- Inlet hoses may be kinked.
  - Check that inlet hoses are not kinked or clogged.
- Energy efficiency.
  - This is a High Efficiency (HE) washer. As a result, the water level settings for this washer may be different than for conventional washers.
- Insufficient water supply.
  - Make sure that both hot and cold water faucets are turned on all the way.
- lid and drawer are open.
  - The washer will not operate if the lid is open. Close the lid and make sure that nothing is caught under the lid preventing it from closing completely.
- Hot and cold inlet hoses are reversed.
  - Check inlet hose connections. Make sure the hot water supply is connected to the hot inlet valve, and the cold water supply is connected to the cold inlet valve.
- Water level is too low.
  - This is a high efficiency washer. The water will not normally cover the clothes. The fill level is optimized for the wash motion to achieve the best wash performance.

#### **Washer will not drain water**

- Kinked drain hose.
  - Ensure that the drain hose is not kinked.
- Drain located higher than 96 in. (cm). above the floor.
  - Make sure that the drain hose is no higher than 8 ft. above the bottom of the washer and is no more than ft. away from the washer.

#### **Poor stain removal**

- Heavily soiled load.
  - The pedestal washer is designed to gently and effectively care for lightly soiled loads. Heavier soils and tougher stains may require the extra cleaning power of the Soak or Stain Care features on the front-loading washer.
- Previously set stains.
  - Articles that have previously been washed may have stains that have been set. These stains may be difficult to remove and may require hand washing or pre-treating to aid in stain removal.

## Water leaks every load

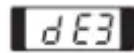
- Hoses not installed correctly.
- Check all fill and drain hose connections to ensure that they are tight and secure.
- Hybrid dryer drain hose not installed properly.
  - Do not insert hybrid dryer hose into Y-connector further than 3/4 in. See Connecting the Drain Hose.
  - Check clamps and tie straps to ensure they are secure. Install clamps and tie straps if missing. See Connecting the Drain Hose.

## Error Codes



The display shows:

- Drawer is not closed properly
  - Close the drawer and press START/PAUSE button to start the cycle. If the drawer is closed and the drawer lock error message is displayed, call for service



The display shows:

- Lid is not closed properly
  - Open the drawer and make sure the latch area is free of clothing or other obstructions. Close the lid, shut the drawer, and press START/PAUSE to start the cycle. If the lid is closed and the lid error message is displayed, call for service

**Washer fills with water slowly or not at all, or the display shows:** 

- Water supply faucets are not fully open.
  - Make sure that the water faucets are fully open.
- Water line hoses are kinked, pinched, or crushed.
  - Make sure that the hoses are not kinked or pinched. Be careful when moving the washer during cleaning and maintenance.
- Water inlet filters are clogged.
  - Clean the inlet filters. See Maintenance in the Care and Cleaning section.
- Water supply pressure to faucet or house is too low.
  - Check another faucet in the house to make sure that household water pressure is adequate and flow is not restricted. Disconnect the inlet hose

from the washer and run a few gallons of water through the hose to flush the water supply lines. If flow is too low, contact a plumber to have the water lines repaired.

- Water supply connected with leak- limiting hoses.
  - Hoses designed to limit leaks can trip falsely and prevent the washer from filling. The use of leak limiting hoses is not recommended.

#### **Washer will not turn on**

- Power cord is not properly plugged in.
  - Make sure that the plug is plugged seruely into a grounderd, 3-prong. 120-VAC, 60-Hz. outlet.
- House fuse is blown, circuit break- er has tripped, or power outage has occurred.
  - Reset circuit breaker or replace fuse. Do not increase fuse capacity. If the problem is a circuit overload, have it corrected by a quali- fied electrician.

#### **Water in the washer drains slowly or not at all, or the display shows:**

- Drain hose is kinked, pinched, or clogged
  - Make sure the drain hose is free of clogs, kinks, etc., and is not pinched behind or under the washer.
- Drain discharge is more than 53 (134.6 cm) above bottom of washer.
  - Adjust or repair drain. Maximum drain height is 53 " (134.6 cm).

#### **Washer chimes repeatedly before final rinse**

- This is not an error. This is an alert to allow the addition of liquid fab- ric softener before the final rinse..
  - See Using Fabric Softener, page 16, for instructions on adding liquid fabric softener to the load. To disable or enable the fabric softener alert, press and hold Warm Water and Extra Rinse at the same time for three seconds.

#### **The display shows:**

- If the rebalancing operation (see above) is not successful, this error will be displayed.
  - The automatic attempt to rebalance the load was not successful. The cycle has been paused to allow the load to be manually adjusted.
- The load is too small.
  - Small loads may need additional items to be added to allow the washer to balance the loads.

- Heavy articles are mixed with lighter items.
  - The load may have heavy items loaded with lighter items. Always try to wash articles of somewhat similar weight to allow the washer to evenly distribute the weight of the load for spinning.
- The load is out of balance.
  - Manually redistribute the load if articles have become tangled preventing the automatic distribution from working properly.

**The display shows:** 

- Control error.
  - Unplug the power cord and contact your nearest LG service center.

**The display shows :** 

- Water level is too high due to a faulty water valve.
  - Close the water faucets, unplug the washer, and call for service.

**The display shows:** 

- The water level sensor is not working correctly.
  - Close the water faucets, unplug the washer, and call for service.

**The display shows:** 

- A motor error has occurred.
  - Allow the washer to stand for 30 minutes and then restart the cycle. If the LE error code persists, call for service.

**The display shows:** 

- It is time to run the Tub Clean cycle.
  - Empty the tub, add a diluted solution of 1/4 cup bleach to 1 qt. water to the tub, and select the Tub Clean cycle. To skip the Tub Clean cycle when alerted, press the cycle selector buttons. The message continues to appear for a few more wash cycles and then disappears until the next scheduled tub clean.

**The display shows:** 

- Pedestal washer is being operated without a full-size washer. Stacking switch is not working properly.
  - The pedestal washer will not operate as a standalone unit. It must be stacked under a full-size LG appliance. The stacking switch will not operate

properly if the unit is stacked under a non-LG appliance, or an LG appliance manufactured before 2009.

**Warning**

This content is compiled from multiple sources and is provided for reference purposes only. It may not be complete or fully applicable to all situations. If you are unable to resolve your issue, please contact the product manufacturer or an authorized service provider for official support.

---

Document generated by [ManualsFile](#)

