

FEATURES AND BENEFITS

1. Extreme Brew™ (not shown)

Our re-engineered brewing technology lets you enjoy hot, fresh coffee up to 25% faster!

2. Reservoir Cover

Flips back for easy filling.

3. Water Reservoir with Water Level

Indicator Window (not shown)

4. Showerhead (not shown)

Distributes water evenly over coffee, reducing temperature loss as water passes through grounds.

5. Charcoal Water Filter Holder

Holds filter firmly in place.

6. Charcoal Water Filter (see page 8)

Charcoal water filter eliminates chlorine, calcium and bad tastes and odors from tap water.

7. Filter Basket

Holds a #4 paper filter or a permanent filter.

8. Filter Basket Holder

9. Permanent Gold Tone

Commercial Style Filter

Eliminates the need for paper filters.

NOTE: Some fine grounds may flow through the filter and appear as sediment in the carafe.

10. Control Panel

See detailed illustration

11. Ready Tone (not shown)

Signals the end of the brew cycle with five beeps.

12. Brew Pause™

Stops flow of coffee from basket when carafe is removed from the heater plate, so a cup can be poured in mid-brew.

13. 12-Cup Glass Carafe

The easy-pour, no-drip 12-cup carafe has an ergonomic handle and brewed coffee markings for two to twelve cups.

14. Adjustable Temperature Control

Allows you to keep brewed coffee at desired temperature.

15. Heating Plate

Scratch resistant with black, nonstick coating.

16. Cord Storage (not shown)

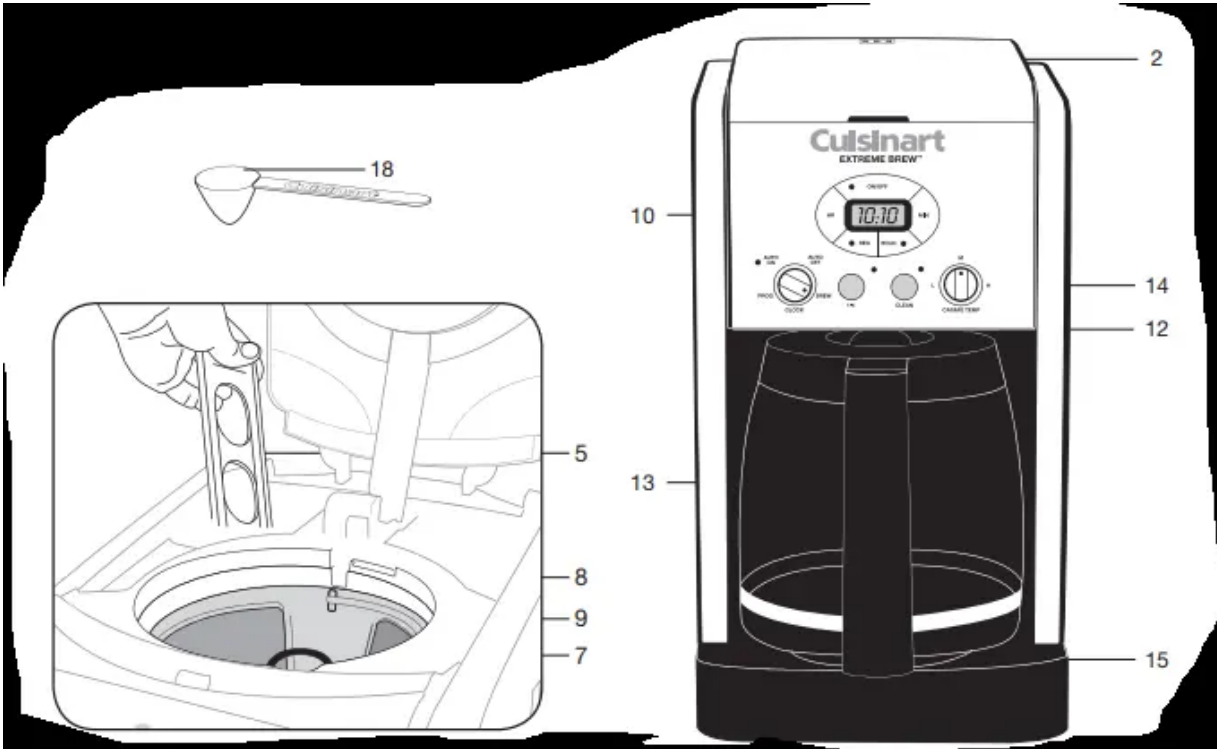
17. Power Loss Back-up System (not shown)

One-minute protection in case a breaker trips, the unit is unplugged, or the power fails. It holds all programmed information, including time of day, Auto On time and Auto Off time.

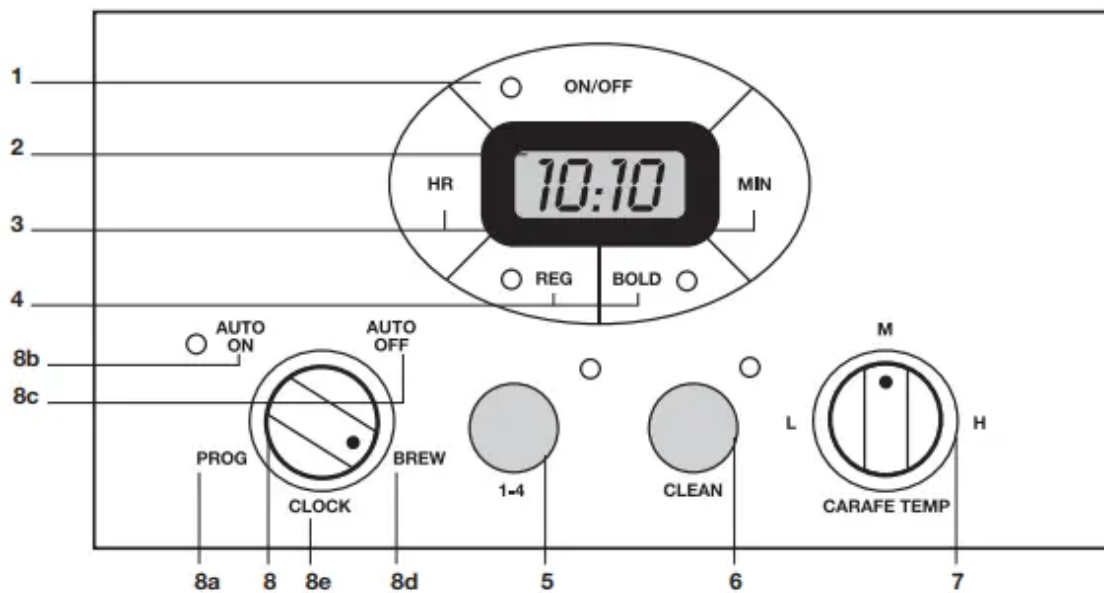
18. Measuring Scoop

19. BPA-Free (not shown)

All parts that come in contact with coffee or liquid are BPA-free.



Getting to know your Control Panel



1. On/Off Button

Use to turn your coffeemaker on and off. Works in tandem with the Function knob.

2. Clock Display

Displays time of day, Auto On and Auto Off times.

3. Hour and Minute Buttons

Use to set hours and minutes for time of day, Auto On and Auto Off times.

4. Strength Selector

Regular and Bold buttons let you choose the intensity of coffee flavor you prefer.

5. 1–4 Cup Setting

Improves extraction, flavor and temperature when brewing fewer than 5 cups.

6. Self-Clean Setting

Indicates time to clean coffeemaker to remove calcium buildup.

7. Carafe Temperature Knob

Set the heater plate to Low (L), Medium (M), or High (H) to keep coffee in the carafe at the temperature you prefer.

8. Function Knob

a. PROG

Select to program Auto On time. Coffeemaker can be programmed to automatically start brewing up to 24 hours in advance.

b. AUTO ON

Select to automatically start brewing coffee at the programmed time.

c. AUTO OFF

Select to program your coffeemaker to automatically shut off up to 4 hours after brewing.

d. BREW

Select to begin brew cycle when On button is pressed.

e. CLOCK

Select to program time of day.

f. AUDIBLE TONE (not shown)

A tone sounds 5 times when brew cycle is complete (coffee may continue to stream from the filter for a few seconds after tone).

PROGRAMMING YOUR COFFEEMAKER

Setting the Clock

When the coffeemaker is plugged in, 12:00 will appear until you set the time.

Turn the Function knob to CLOCK

Hold down the Hour or Minute button until the clock begins flashing. Press either button to select the desired time. Hold buttons down to scroll through the digits, or press and release to advance one digit at a time. When scrolling, the numbers will advance slowly and then speed up. When the number displayed approaches the desired time, press and release to advance one digit at a time. Be sure the PM indicator is on if a PM time is desired.

SETTING THE AUTO ON TIME

When you turn the Function knob to PROG, it displays a previously selected Auto On time or the default time (12:00pm).

- 1. Turn the Function knob to PROG** Follow directions under SETTING THE CLOCK (above) to program your start brew time.
- 2. Turn the Function knob to AUTO ON** LCD will display the current time.
- 3. Press and release On/Off button** A green light indicates that coffeemaker is in Auto On mode. A red light will come on when brew cycle begins. Both lights will go off when Keep Warm cycle ends.

NOTE: To start brew time at the same time the next day, simply make sure the Function knob is on Auto On and press and release On/Off button once more. Green Auto On light will go on.

SETTING THE AUTO OFF TIME

Turn the Function Knob to AUTO OFF

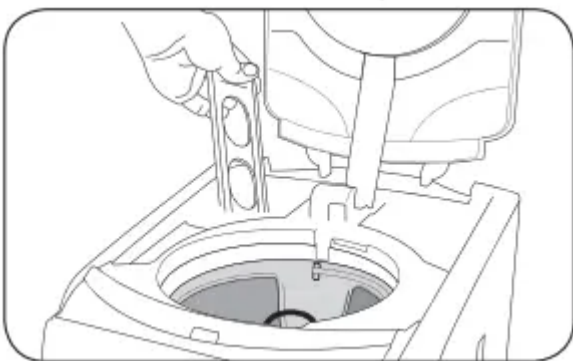
Follow directions under SETTING THE CLOCK (above) to program your coffeemaker to shut off from 0 to 4 hours after brew cycle is finished.

MAKING COFFEE

Follow instructions in “Before Brewing Your First Pot of Coffee” in previous section and get ready to start enjoying your coffee up to 25% faster.

1. Insert charcoal water filter

Follow directions for the preparation and insertion of the filter



2. Fill the water reservoir

Open the reservoir cover by lifting it up. Pour in the desired amount of water using the water level indicator located at the side of the coffeemaker window.

3. Set preferences

- a. Push the 1–4 cup button if you are brewing fewer than 5 cups.

b. Press Regular or Bold button to select flavor strength.*

c. Turn the Carafe Temperature knob to Low (L), Medium (M), or High (H) and heater plate will keep coffee at the temperature you select.*

*Features will remain at selected settings until you change them.

4. Add the ground coffee

Remove the filter basket by grasping the handle and lifting straight up, and then place it on the countertop. Insert a #4 paper filter or permanent filter. Be sure that the paper filter is completely open and fully inserted in the basket. It may help to fold and flatten the seams of a paper filter beforehand. Add 1 scoop of ground coffee per cup. Adjust the amount according to taste.

NOTE: The maximum capacity for ground coffee is 15 scoops (15 tablespoons) for this coffeemaker. Exceeding this amount may cause overflow if the coffee is too finely ground.

Replace the filter basket in the filter basket holder and press firmly on cover to be sure it closes securely.

5. Before brewing coffee

Make sure the glass carafe is in position on the heating plate and the top cover is closed. Plug the cord into an electrical outlet.

6. Power unit on

Turn the Function knob to brew, press the on/off button, and the red indicator light will turn on. Or, set the Auto On function (see page 7) and the green indicator will light.

7. After brewing

When the brewing cycle has been completed, five beeps will sound. Coffee will continue to stream from the filter for several seconds. Once the coffee has finished brewing, stir it before serving to blend the flavors. The coffee at the bottom of the carafe will be somewhat stronger than the coffee at the top.

Note: Reservoir cover may be hot during and directly after brewing. Wait at least 10 minutes before opening

CHARCOAL WATER FILTER

Your coffeemaker comes with a charcoal water filter that eliminates chlorine, bad tastes and odors from tap water.

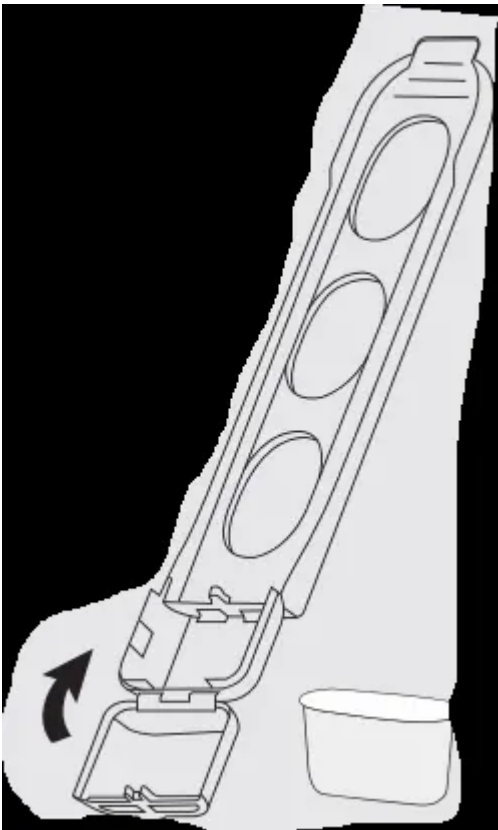
Inserting the Water Filter

- Remove the filter from polybag and soak it, fully immersed, in cold tap water for 15 minutes.
- Lift the water filter holder out of the water reservoir.

- Press down on the filter compartment and pull toward you to open.
- Place filter into the holder and snap it closed. Be careful – improper placement can tear the filter skin.
- Flush filter by running cold tap water through holes in bottom of compartment for 10 seconds.
- Allow the filter to drain completely.
- Slide the water filter holder back into the channel in the water reservoir, pushing it down to the base of the unit.

NOTE: We recommend changing the water filter every 60 days or after 60 uses, and more often if you have hard water.

Replacement filters can be purchased in stores, by calling Cuisinart Customer Service



CLEANING AND MAINTENANCE

Always turn coffeemaker off and remove the plug from the electrical outlet before cleaning.

Lift up the reservoir cover. Remove and discard the paper filter and ground coffee. The filter basket can be washed in warm, soapy water and rinsed thoroughly, or cleaned in the upper rack of the dishwasher. Dry all parts after use.

Do not put any water in the unit once the filter basket has been removed. Wipe the area under the filter basket with a damp cloth.

Remove the carafe from the heating plate. Discard any remaining coffee. The carafe and lid can be washed in warm, soapy water and rinsed thoroughly, or placed in a dishwasher. The carafe and carafe lid should be placed on the upper rack only.

Do not use any scouring agents or harsh cleansers on any part of the coffeemaker.

Never immerse base unit in water or other liquid. To clean base, simply wipe with a clean, damp cloth and dry before storing. Fingerprints and other blemishes on the housing can be washed off with soap and water or a nonabrasive cleaning solution. Wipe heating plate with a clean, damp cloth. Never use rough, abrasive materials or cleansers to clean the heating plate. Do not dry the inside of the water reservoir with a cloth, as lint may remain.

Decalcification

Decalcification refers to the removal of calcium deposits, which form over time on the metal parts of the coffeemaker.

For best performance from your Extreme Brew™ Coffeemaker, decalcify the base unit from time to time. The frequency depends upon the hardness of your tap water and how often you use the coffeemaker. The flashing Clean light will indicate when you should clean your coffeemaker.

NOTE: Before decalcifying your coffeemaker, remember to remove the charcoal water filter from the water filter holder located in the water reservoir.

If the Clean light begins to flash when the coffeemaker is turned on, it is telling you that the calcium buildup is interfering with the functioning of your coffeemaker and the flavor of your coffee. To clean, fill the water reservoir to capacity with a mixture of $\frac{1}{3}$ white vinegar and $\frac{2}{3}$ water. Press the Clean button. When the Clean light glows, turn the coffeemaker on by pressing the on/off button. The Clean light will shine steadily. The coffeemaker is now in clean mode. One cycle should be sufficient to adequately clean the coffeemaker. When the cycle is completed and five beeps sound, the coffeemaker will shut off. Turn the coffeemaker on to see if the Clean light continues to flash. If it does, turn it off and then repeat the cleaning procedure with a fresh solution of vinegar and water.

If the Clean light no longer flashes, turn the coffeemaker off and then run one cycle of fresh cold water through the unit before using the unit again to brew coffee.

Notes on the Clean Function

Pressing the Clean button cancels all other settings. If it is pressed accidentally, press it again to return the coffeemaker to all its previous settings. Pressing On/Off will also exit the clean mode and turn the coffeemaker off.

Warning

This content is compiled from multiple sources and is provided for reference purposes only. It may not be complete or fully applicable to all situations. If you are unable to resolve your issue, please contact the product manufacturer or an authorized service provider for official support.

Document generated by [ManualsFile](#)

