

What's New in Your Dishwasher

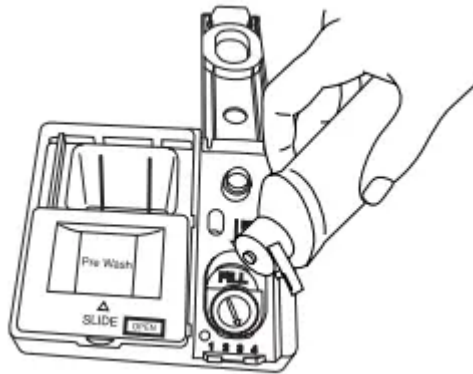
Energy

Congratulations on purchasing your water- and energy-efficient dishwasher! This dishwasher cleans by spraying the dishes with water and pauses to allow the detergent to soak into and release the soils on the dishes. The cycles are longer due to the soak and pauses for exceptional cleaning. Your dishwasher contains an optical water sensor. The optical water sensor is used to determine the optimum water and energy consumption for great cleaning performance. Efficient dishwashers run longer to save water and energy, just as driving a car slower saves on gas. The first cycle using the sensor will run longer to calibrate the optical sensor.



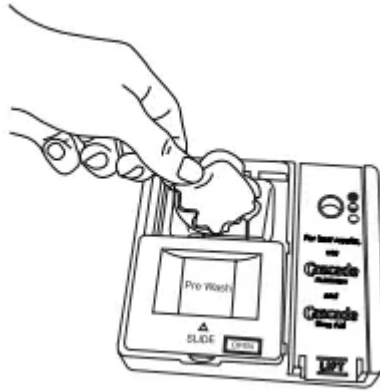
Performance

Rinse Aid



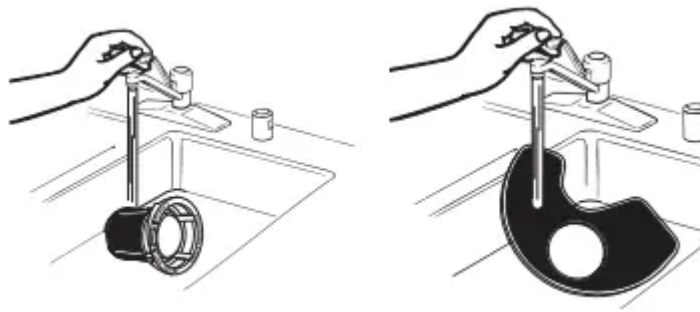
Using rinse aid will optimize your drying and wash performance. This dishwasher is specifically designed to be used with rinse aid for improved drying performance and controlling buildup of hard water deposits. The use of rinse aid greatly improves drying by allowing water to drain from the dishes after the final rinse. Rinse aid also keeps water from forming droplets that can dry as spots or streaks.

Detergent



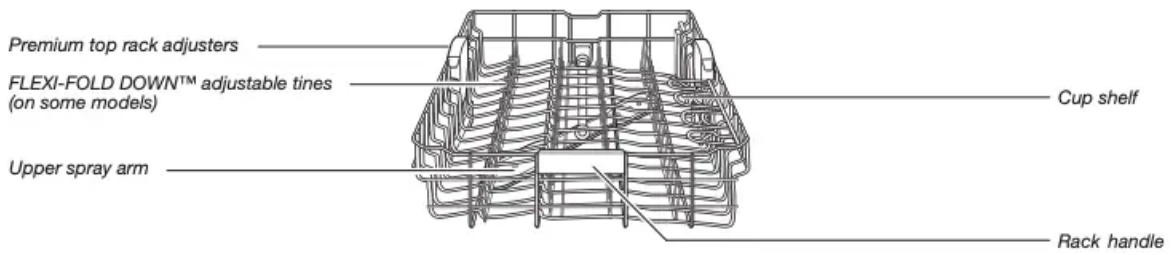
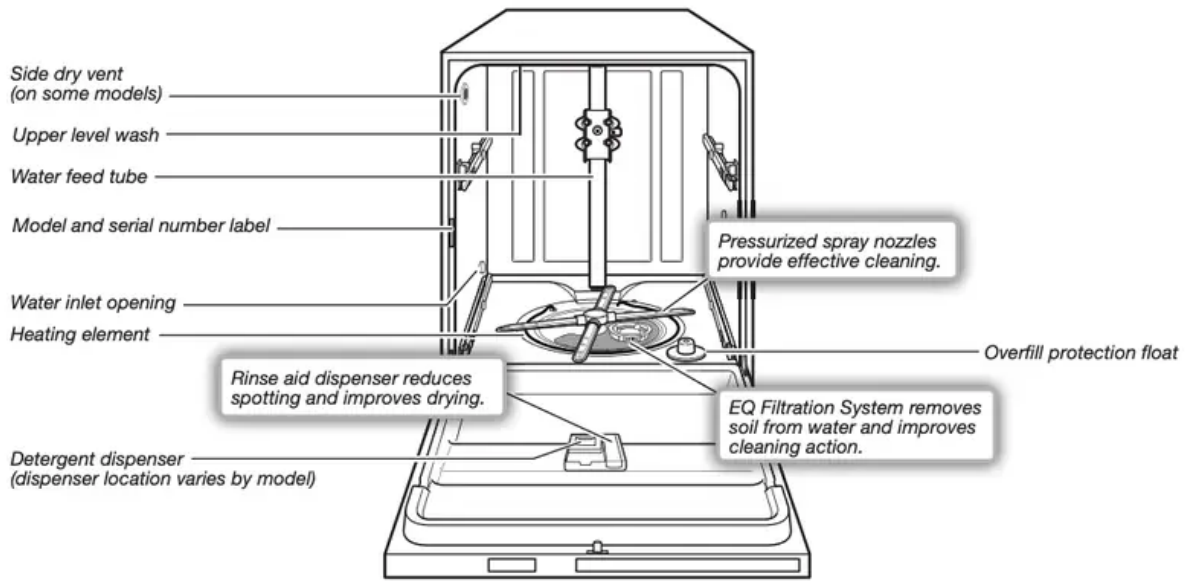
The United States and Canada have passed restrictions limiting the amount of phosphorus (phosphates) in household dishwasher detergents to reduce the impact of detergents on our environment. Major manufacturers have reformulated their dishwasher detergent. With these recent changes it is recommended to use tablets and packs for convenience and improved performance.

Filtration System

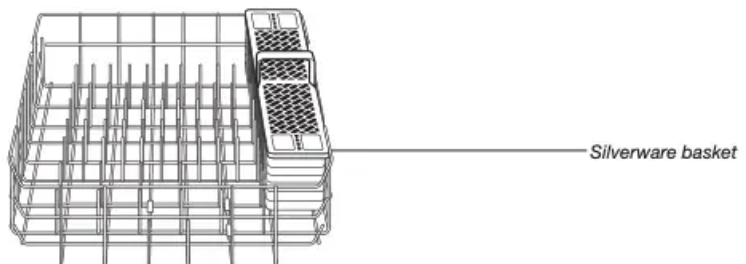


Your dishwasher has the latest technology in dishwasher filtration. This triple filtration system minimizes sound and optimizes water and energy conservation while providing optimal cleaning performance. We suggest you clean both your upper and lower filters and rinse under running water according to the chart in the Filtration System section. Maintenance of your filters regularly will sustain peak cleaning performance.

Parts and Features



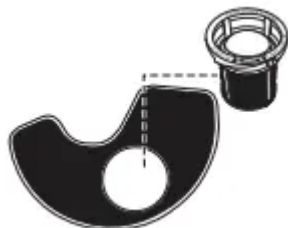
TOP RACK



BOTTOM RACK

Start-Up/Quick Reference

Clean EQ Wash System removable filters to maintain peak performance



Cleaning the filters periodically helps to keep the dishwasher working at peak performance. The filters can be found at the bottom center of your dishwasher. See “Filtration System” section for information on removing and maintaining the filters.

Drying – Rinse aid is essential



You must use a drying agent such as a rinse aid for good drying performance. Rinse aid along with the Heat Dry and Extended Heat Dry option will provide best drying and avoid excessive moisture in dishwasher interior.

Extended Heat Dry

For best drying use the Extended Heated Dry option.

Express Wash – When you need fast results



Efficient dishwashers run longer to save water and energy, just as driving a car slower saves on gas. When you need fast results, the Express Wash will clean your dishes using slightly more water and energy. Select the Heat Dry option to include automatic drying (adds approximately 38 to 45 minutes to the Express Wash cycle)

ProWash™ cycle for optimal cleaning



Soil - Sense

The most advanced and versatile cycle. ProWash™ cycle senses the soil amount and toughness of soil to adjust the cycle for optimal cleaning using only the amount of water and energy needed. The ProWash™ and Tough cycles are recommended for tough soil. No need to pre-rinse dishes; just scrape leftover food into the trash or disposal and load.

Press Start/RESUME every time you add a dish



IMPORTANT: If anyone opens the door (such as, to add a dish, even during the Delay hours), the Start/ RESUME button must be pressed each time. Push door firmly closed within 4 seconds of pressing Start/RESUME. If the door is not closed within 4 seconds, the Start/RESUME button LED will flash, an audible tone will be heard, and the cycle will not start.

Proper Detergent Dosing

We recommend quality tablets and packs for convenience and improved performance. When using other forms of detergent, it is possible to use too much. This can lead to etching of your dishes. See “Add Detergent” in the Dishwasher Use section, to determine the amount of detergent needed based on soil level and water hardness.

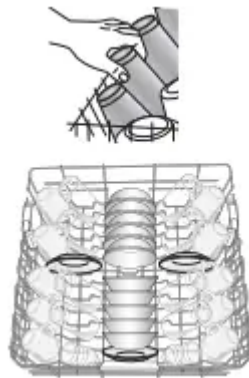
Quick Steps

1 Remove bulk food and load dishwasher.

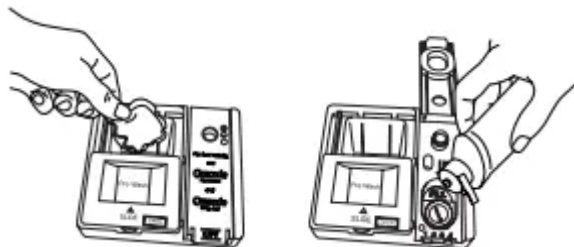


Scrape off excess food into garbage or food disposer.

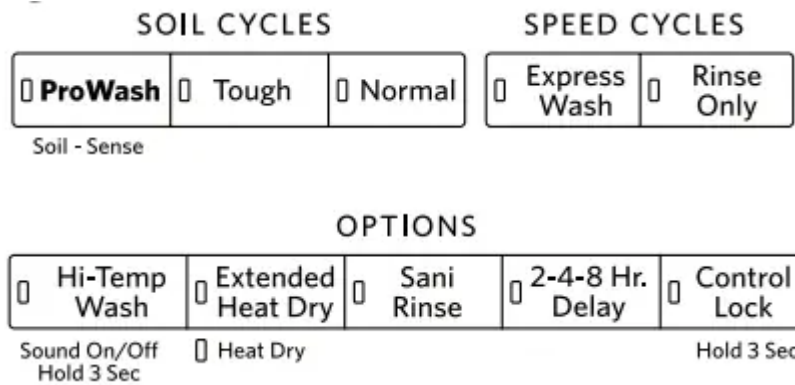
Load dishes so that water spray will reach every surface.



2 Add detergent and rinse aid.



3 Select a cycle and options (varies by model).

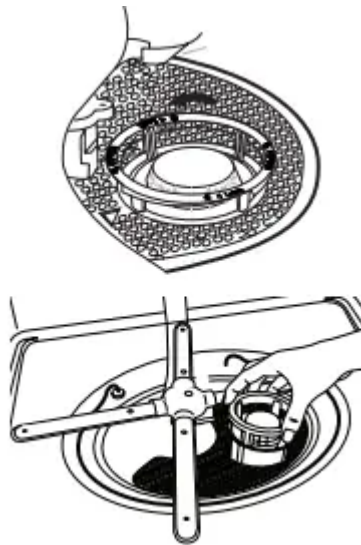


4 Start the dishwasher.

To start and resume a cycle, press Start/RESUME and close the door within 4 seconds. If the door is not closed within 4 seconds, the Start/ RESUME LED will flash, an audible tone will sound, and the cycle will not start.



5 Unload dishwasher and clean the filter.

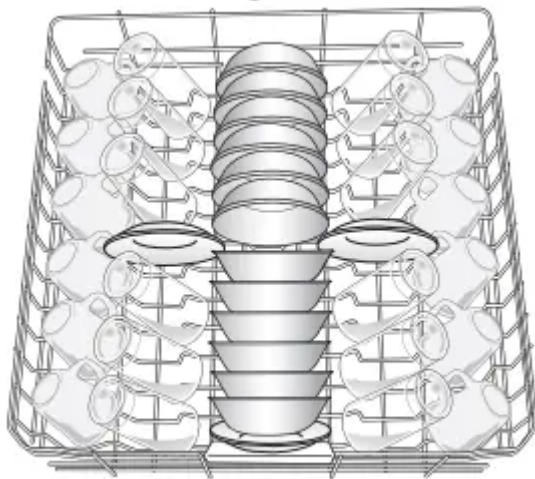


See “Recommended Time Interval to Clean Your Filter” in the “Filtration System” section for the recommended cleaning schedule.

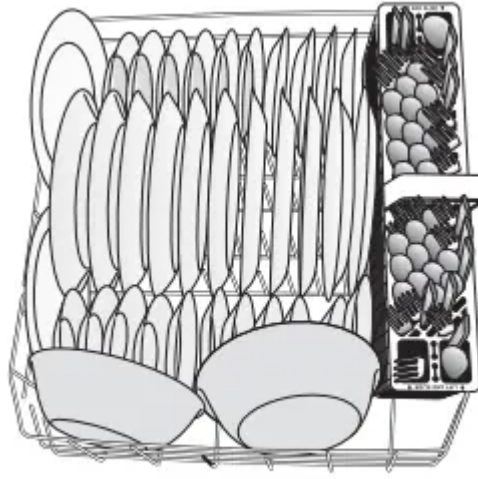
Dishwasher Use

STEP 1 Prepare and Load the Dishwasher

IMPORTANT: Remove leftover food, bones, toothpicks, and other hard items from the dishes. Remove labels from containers before washing.

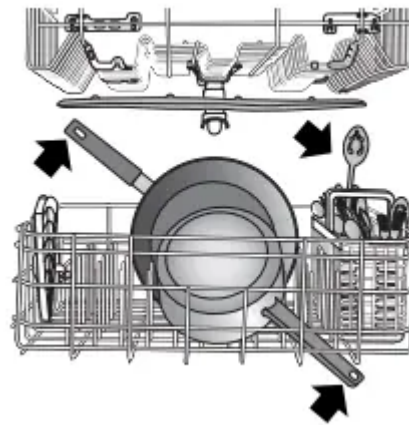


14-place load – upper rack

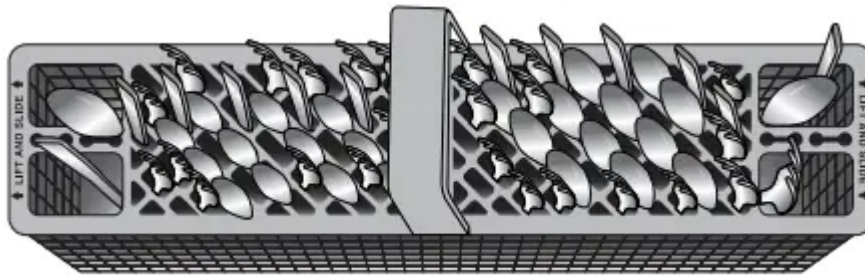


14-place load – lower rack

- Check that nothing blocks the upper or lower spray arm. Items in rack can block the spray arms.

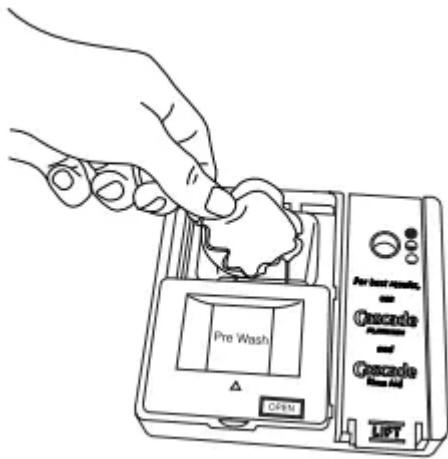


- Check that when the dishwasher door is closed, no items are blocking the detergent dispenser.
- Items should be loaded with soiled surfaces facing down and inward to the spray as shown in the graphics above. This will improve cleaning and drying results. Angle dirtiest dish surface downward, allowing space for water to flow up through rack and between dishes.
- Avoid overlapping items, like bowls or plates that may trap food.
- Place plastics, small plates, and glasses in upper rack. Wash only items marked “dishwasher safe.”
- To avoid thumping/clattering noises during operation, load dishes so they do not touch one another. Make sure lightweight load items are secured in racks.
- When loading silverware, always place sharp items pointing down. Mix items in each section of the basket with some pointing up and some down to avoid nesting. Spray cannot reach nested items.
- Use the slots in the covers and suggested loading patterns to keep your silverware separated for optimum wash.



STEP 2 Add Detergent

Premeasured Detergents



High-quality premeasured tablets and packs are recommended for improved performance. Quality tablets and packs have been proven better than powder, liquid, or gel detergents at reducing filming on dishes. Using tablets and packs over time will start to reduce or eliminate white film. They are suitable for all hardness and soil levels. Also, by using a rinse aid, you can minimize repeat buildup of white film (not all packs and tablets contain rinse aid). Always place premeasured detergents in main compartment and close the lid.

NOTE: Follow instructions on the package when using other dishwasher detergent types or use the chart below for standard powdered detergents.

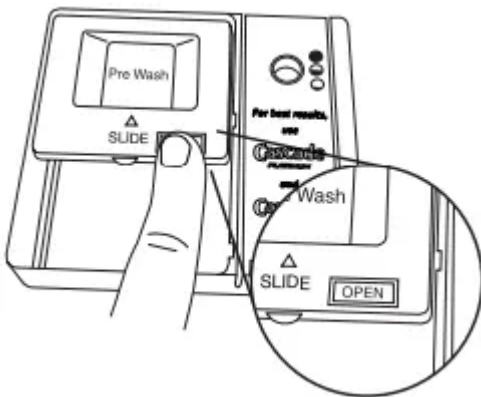
- Use automatic dishwasher detergent only. Add detergent just before starting a cycle.
- Fresh automatic dishwasher detergent results in better cleaning. Store tightly closed detergent container in a cool dry place.

To close lid



Place selected detergent in the dispenser. Place finger, as shown, and slide lid closed. Press firmly until it clicks.

To open lid



Push OPEN, as shown, and the lid will slide open.

Water Hardness	Soil Level	Prewash Compartment*	Main Wash Compartment
Soft (0-4 grains per U.S. gallon)	Light	None	“Soft” fill line
	Normal	None	“Soft” fill line
	Heavy	Full	“Soft” fill line
Medium (5-9 grains per U.S. gallon)	Light	None	“Soft” fill line
	Normal	Full	Full**
	Heavy	Full	Full**
Hard (10-14 grains per U.S. gallon)	Light	Full**	Full**
	Normal	Full**	Full**
	Heavy	Full**	Full**

*The prewash compartment is on top of the sliding door of the dispenser.

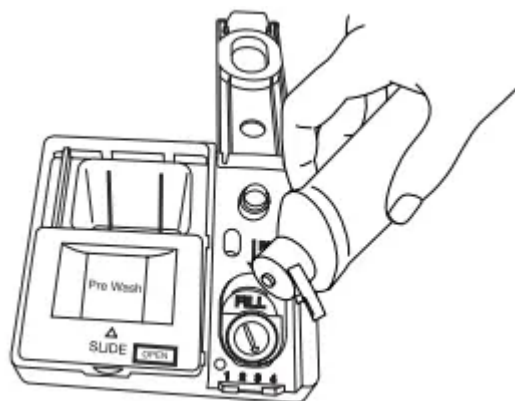
**A full main wash compartment contains 2 Tbsp (30 mL).



IMPORTANT: Extremely hard water mineral deposits (15 grains per U.S. gallon or more) can cause damage to your dishwasher and make it difficult to achieve good results. A water softener is recommended to avoid damage and achieve good results.

NOTE: Follow instructions on the package when using other dishwasher detergent types.

STEP 3 Add Rinse Aid



IMPORTANT: Your dishwasher is designed to use rinse aid. The use of rinse aid greatly improves drying by allowing water to drain from the dishes after the final rinse. Rinse aid also keeps water from forming droplets that can dry as spots or streaks.

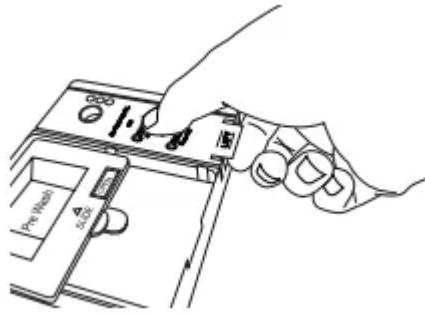
Filling the dispenser

The dispenser holds 5 oz (150 mL) of rinse aid. Under most conditions, this will last one to three months.



NOTE: Indicator reads correct fill level when door is completely opened.

1. To add rinse aid, open the rinse dispenser lid by gently pushing in the center of the lid with your thumb and pulling up on the edge.
2. Pour rinse aid into the opening until the dispenser is full. Do not overfill.
3. Clean up any spilled rinse aid. Spilled rinse aid can create excessive suds.
4. Close the dispenser by pushing down gently on the lid.



Rinse Aid Setting

Your rinse aid dispenser is adjustable. For most water conditions, the factory setting will give good results. If you have hard water and notice calcium buildup on your dishware, you may want to try a higher setting. If you notice foam in your dishwasher, use a lower setting.



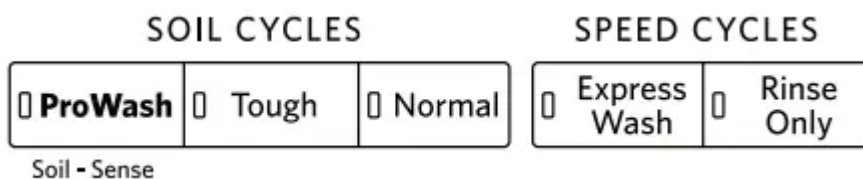
To adjust the setting:

Turn the arrow adjuster to a higher number to increase the amount of rinse aid. If you change the setting only change it one number at a time and run a few cycles before changing it again. Too much rinse aid can reduce cleaning performance and too little may leave spots or rings.

STEP 4

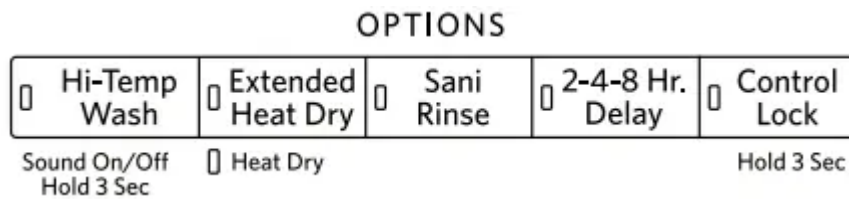
Select a Cycle

Efficient dishwashers run longer to save water and energy, just as driving a car slower saves gas. Cycle times may increase or decrease depending on selections. Estimated cycle times after calibration are listed in the “Cycle and Option Descriptions” chart in the following section. Select the desired cycle by pressing the Cycles button. Each time you press the Cycles button, it will advance to the next available cycle.



Select Options

See the “Cycle and Option Descriptions” chart in the following section. You can customize the cycles by selecting the options desired and pressing the Start/RESUME keypad.



STEP 5 Start or Resume a Cycle

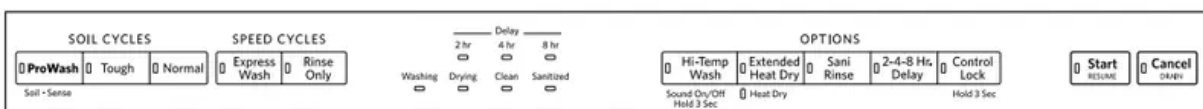
- If needed, run hot water at the sink nearest your dishwasher until the water is hot. Turn off water.
- For best dish washing results, water should be 120°F (49°C) as it enters the dishwasher.
- Select the wash cycle and options desired. To repeat the same cycle and options used previously, press the Start/RESUME keypad twice. Within 4 seconds of pressing Start/RESUME, you must firmly push the door closed. If the door is not closed within 4 seconds, the Start/RESUME LED will flash an audible tone will be heard, and the cycle will not start.



- You can add an item at the beginning of the cycle. Open the door slowly and add the item. Press the Start/RESUME keypad and close the door firmly within 4 seconds. If the door has been open more than 4 seconds, the LED will flash a tone will sound and the dishwasher will not resume unless you press Start/RESUME again.

IMPORTANT: If the door has been opened for more than a few seconds after the cycle has started (even during the Delay time), the Start/RESUME button must be pressed again or the cycle will not resume.

Cycle and Option Descriptions



Estimated cycle times may increase or decrease, depending on water temperature, soil conditions, dish load size, and options selected. You can customize your cycle by selecting an option. See option selections. If you change your mind, press the option again to turn off the option or select a different option. You can change an option any time before the selected option begins. At each stage of the wash cycle, you may hear noises that you are not used to hearing in your previous dishwasher. Each cycle will provide a series of pauses and water sprays throughout the wash cycle. This is normal and will provide optimal cleaning performance.



CYCLE SELECTIONS

IMPORTANT: The sensor in your dishwasher monitors the soil level. Cycle time and/or water usage can vary as the sensor adjusts the cycle for the best wash performance. If the incoming water is less than the recommended temperature or food soils are heavy, the cycle will automatically compensate by adding time, heat, and water as needed.

- **CYCLE** ProWash Soil - Sense

This cycle senses the load size, soil amount, and toughness of soil, to adjust the cycle for improved cleaning, using only the amount of water and energy needed. The ProWash™ cycle is automatically selected if you first touch Start/ RESUME Includes a heated drying option.*

ESTIMATED WASH TIME* W/O OPTIONS (HR:MIN) 2:10 to 3:15 3

WATER USAGE GALLONS (LITERS) 3.38 to 7.4 (12.8 to 28.0)

- **CYCLE** Tough

Use for hard-to-clean, heavily soiled pots, pans, casseroles, and regular tableware. Includes a heated drying option.

ESTIMATED WASH TIME* W/O OPTIONS (HR:MIN) 2:45 to 3:25

WATER USAGE GALLONS (LITERS) 7.4 (28.0)

- **CYCLE** Normal

This cycle is recommended for daily, regular, or typical use to completely wash and dry a full load of normally soiled dishes. This dishwasher's government energy certifications were based on the Normal cycle with only the Heat Dry or Extended Heat Dry option selected.**

ESTIMATED WASH TIME* W/O OPTIONS (HR:MIN) 2:00 to 3:10

WATER USAGE GALLONS (LITERS) 2.4 to 7.4 (9.09 to 28.0)

- **CYCLE** Express Wash

For fast results, the Express Wash will clean dishes using slightly more water and energy. For improved drying, select a heated drying option.

NOTE: Some detergents are not recommended for short wash cycles, please refer to your detergent packaging for more information. Includes a heated drying option

ESTIMATED WASH TIME* W/O OPTIONS (HR:MIN) 0:55 to 1:05

WATER USAGE GALLONS (LITERS) 7.87 (29.8)

- **CYCLE** Rinse Only

Use for rinsing dishes, glasses, and silverware that will not be washed right away. Do not use detergent.

ESTIMATED WASH TIME* W/O OPTIONS (HR:MIN) 6:45 to 7:25

WATER USAGE GALLONS (LITERS) 7.4 (28.0)

*The government energy certifications are not based on this cycle. See the Normal cycle description for the government energy certification cycle. Using the Sensor cycle may increase your energy usage.

**No other washing and drying temperature options were selected, and the dishwasher was not subjected to truncated testing. Rinse aid was not used, and there was no detergent used in the prewash.

OPTION SELECTIONS

OPTIONS Hi-Temp Wash Sound on/off Hold 3 Sec

Raises the main wash temperature to improve cleaning for loads containing tough, baked-on food.

CAN BE SELECTED WITH ProWash™ Normal

WHAT IT DOES Raises the main wash temperature up to 135°F (57°C).

ADDED TIME TO CYCLE 0:00 to 0:30

ADDED WATER GALLONS (LITERS) 1.2 to 6.2 (4.8 to 23.3)

OPTIONS Extended Heat Dry Heat Dry

Dries dishes with heat. This option, with the use of rinse aid, will provide the best drying performance. Plastic items are less likely to deform when loaded in the top rack. Turn the Heat Dry option off for an air dry.

CAN BE SELECTED WITH Available with any cycle except Rinse Only

WHAT IT DOES Activates the heating element at the end of a wash cycle to speed drying times. Heat Dry defaults to On when any cycle is selected, except for Express Wash and Rinse Only.

ADDED TIME TO CYCLE Heat Dry: 0:10 to 0:50 Extended Heat Dry (includes Heat Dry time): 0:40 to 1:20

ADDED WATER GALLONS (LITERS) 0

OPTIONS Sani Rinse

Sanitizes dishes and glassware in accordance with NSF International NSF/ANSI Standard 184 for Residential Dishwashers. Certified residential dishwashers are not intended for licensed food establishments. Only sanitizing cycles have been designed to meet the requirements of the NSF/ANSI 184 performance standard for soil removal and for sanitization efficacy. There is no intention, either directly or indirectly, that all cycles on a NSF/ANSI 184 certified dishwasher meet the NSF/ANSI 184 performance standard for soil removal and for sanitization efficacy. The Sani Rinse indicator glows at the end of the cycle if the Sani Rinse option was successfully completed. If the indicator does not activate, it is probably due to the cycle being interrupted.

CAN BE SELECTED WITH ProWash™ Normal

WHAT IT DOES Increases the main wash temperature from 105°F (41°C) to 140°F (60°C) and the final rinse from 140°F (60°C) to 155°F (68°C).

ADDED TIME TO CYCLE 0:00 to 2:20

ADDED WATER GALLONS (LITERS) 1.2 to 6.2 (4.8 to 23.3)

OPTIONS 2-4-8 Hr. Delay

Runs the dishwasher at a later time or during off-peak electrical hours. Select a wash cycle and options. Press the Delay keypad. Press Start/RESUME. Close the door firmly.

NOTE: Any time the door is opened (such as to add a dish), the Start/RESUME keypad must be touched again to resume the delay countdown.

CAN BE SELECTED WITH Available with any cycle

WHAT IT DOES Delays the start of a cycle to the specified time.

ADDED TIME TO CYCLE 0

ADDED WATER GALLONS (LITERS) 0

OPTIONS Control Lock Hold 3 Sec

Use the Control Lock option to avoid unintended use of dishwasher between cycles, and option changes during a cycle.

To turn on Control Lock, touch and hold Control Lock for 3 seconds. Control Lock light will stay on for a short time, indicating that it is activated. When the Lock indicator is lit, all keypad selections are disabled. If you touch any keypad selection while your dishwasher is locked, the light flashes three times. The dishwasher door can still be opened/closed while the controls are locked. To turn off Control Lock, touch and hold Control Lock for 3 seconds. Control Lock light turns off.

CONTROLS AND CYCLE STATUS

Control : Start RESUME

Purpose : To start or resume a wash cycle.

Comments : If the door is opened during a cycle or the power is interrupted, the Start/RESUME indicator flashes.

Control : Cancel Drain

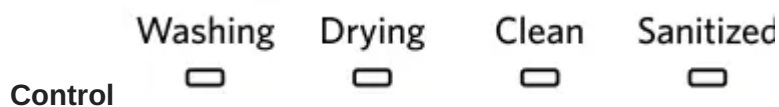
Purpose : To cancel a wash cycle after it has been started

Comments : Close the door firmly. Touch and hold Cancel/DRAIN for 3 seconds. The dishwasher starts a 2-minute drain (if needed). Let dishwasher drain completely

Control : Hi-Temp Wash Sound on/Off. Hold 3 Sec

Purpose : To turn the audible tones on or off.

Comments: Touch and hold Hi-Temp Wash for 3 seconds to turn the audible tones on or off. Only audible tones for confirming keypad touches can be turned on/off. Important audible tones, such as indicating a cycle has been interrupted, cannot be deactivated.



Purpose To indicate the status of the cycle.

Comments The display will indicate cycle progress such as Washing, Drying, Clean, and Sanitized. The cycle has completed when the Clean light is lit. If you select the Sani Rinse option, when the cycle is finished, the Sanitized indicator glows. If the dishwasher did not properly sanitize your dishes, the Sanitized indicator flashes at the end of the cycle. This can happen if the cycle is interrupted or if water could not be heated to required temperature. The light goes off when you open and close door or touch Cancel.

Canceling a Cycle

1. Open the door slightly to stop the cycle. Wait for the spraying action to stop before completely opening the door.
2. Press and hold Cancel/DRAIN once. The Cancel/DRAIN light will light up.
3. Close the door and the dishwasher starts a drain cycle (if water remains in bottom of dishwasher). Let the dishwasher drain completely. The Cancel/DRAIN light turns off after 2 minutes.

Changing a Cycle After Dishwasher Is Started

You can interrupt a cycle and restart your dishwasher from the beginning using the following procedure:

1. Open the door slightly to stop the cycle. Wait for the spraying action to stop, then open the door completely.
2. Check that detergent dispenser cover is still closed. If cover is open, you will need to refill the detergent dispenser before restarting your new cycle.
3. Press Cancel/DRAIN and wait approximately 2 minutes until the machine drains and the Cancel/DRAIN light turns off.
4. Select new cycles and options.
5. Press Start/RESUME.

Adding a Dish After Dishwasher Is Started

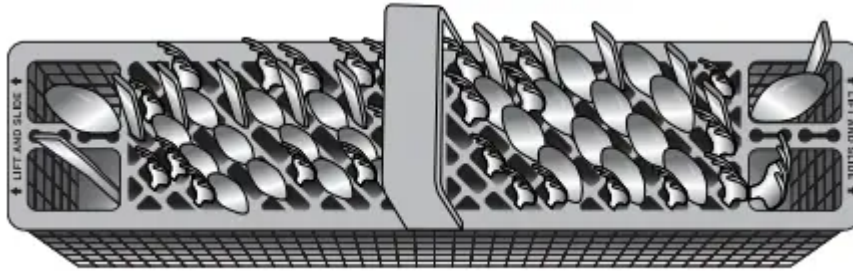
1. Open the door slightly to stop the cycle. Wait for the spraying action to stop and then completely open the door.

2. If the detergent dispenser door is closed you may add a dish. If the detergent dispenser door is already opened an added dish might not be cleaned.

3. Press Start/RESUME and close the door. If the door is not closed within 4 seconds, you will hear a series of beeps and the dishwasher will not start.

Dishwasher Features

Silverware Basket



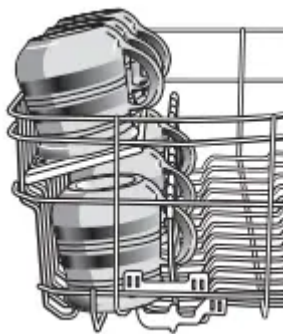
Silverware basket lids:

Use silverware basket lids to provide optimal spacing and best cleaning performance.

NOTE: If your silverware does not fit into the designated slots, push tabs inward on either end and lift lid off of the silverware baskets. Mix silverware types to keep them separated. Load knives down, forks up, and alternate spoons for best cleaning results.

Cup Shelves

Fold down the extra shelf on the right-hand side of the top rack to hold additional cups, stemware, or long items such as utensils and spatulas. For best results on cups, stagger the spacing so that the cups on the shelf are not directly above the cups below.

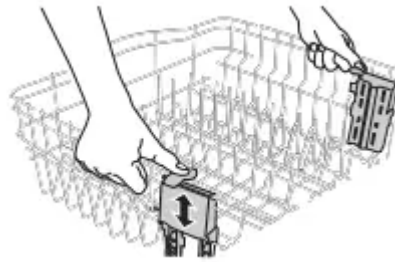


Premium Adjustable 2-Position Top Rack

You can raise or lower the top rack to fit tall items in either the top or bottom rack. Adjusters are located on each side of the top rack.

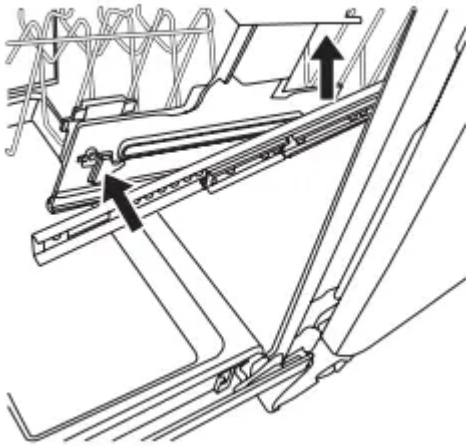
To raise the rack: Press both rack adjuster thumb levers and lift the rack until it is in the up position and level.

To lower the rack: Press both rack adjuster thumb levers and slide the rack to its down position and level.



NOTE: The top rack must be level.

Removable Top Rack



The removable top rack allows you to wash larger items such as pots, roasters, and cookie sheets in the bottom rack.

IMPORTANT: Remove dishes prior to removing the top rack from the dishwasher.

To remove the rack:

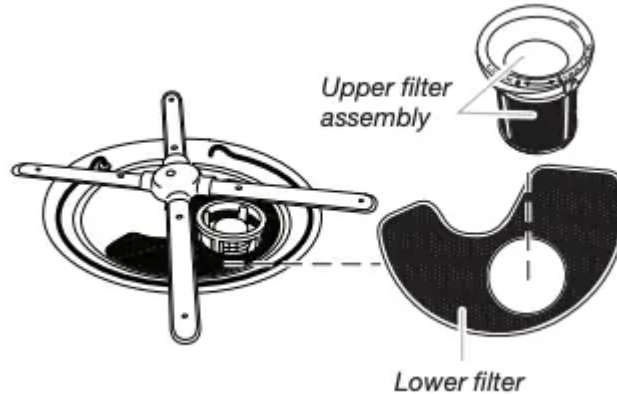
To gain access to the removable tabs on the tracks/rails, pull the upper rack forward about halfway out of the tub. On one side, press the tab on the track in and pull up the front end of the rack, out of the track. Then repeat this step on the other side to completely remove the front end of the rack. Then remove the rack by pulling the back end out using a forward and upward motion.

To replace the rack:

Pull the tracks forward about halfway out of the tub. Along the sides of the racks are round attachment tabs. Align the rack's back end attachment tabs with the cutout in the track. Push down into place. Pull the tracks completely out, and align the rack's front end attachment tabs with the cutout in the track. Push down into place. You will hear a snap when the front end of the rack is secured into place on each side.

Filtration System

Your dishwasher has the latest technology in dishwasher filtration. This filtration system minimizes sound and optimizes water and energy conservation while providing superior cleaning. The filter system consists of two parts, an upper filter assembly and a lower filter.



IMPORTANT: To avoid damage to dishwasher, do not operate your dishwasher without filters properly installed. Be sure lower filter is securely in place and upper filter assembly is locked into place. If upper assembly turns freely, it is not locked into place.

The filters may need to be cleaned when:

- Visible objects or soils are on the upper filter assembly.
- Dishes feel gritty to the touch.

It is very easy to remove and maintain the filters. The chart below shows the recommended cleaning frequency.

RECOMMENDED TIME INTERVAL TO CLEAN YOUR FILTER			
Number of Loads Per Week	If you only scrape before loading*	If you scrape and rinse before loading	If you wash before loading
8-12	Every 2 months	Every 4 months	Once per year
4-7	Every 4 months	Once per year	Once per year
1-3	Twice per year	Once per year	Once per year

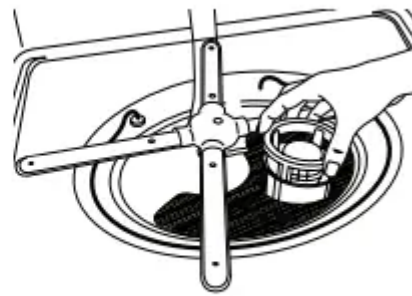
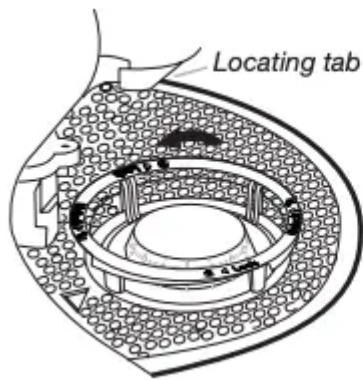
*Scrape excess food into the trash or food disposer prior to loading the dishwasher. We recommend this practice because it will conserve the water and energy that you would have used to prepare your dishes. This will also save you time and effort.

Very Hard Water

If you have hard water (above 15 grains), clean your filter at least once per month. Buildup of white residue on your dishwasher indicates hard water. For tips on removing spots and stains, see the "Troubleshooting" section.

Filter Removal Instructions

1. Turn the upper filter assembly a quarter turn counterclockwise and lift out.

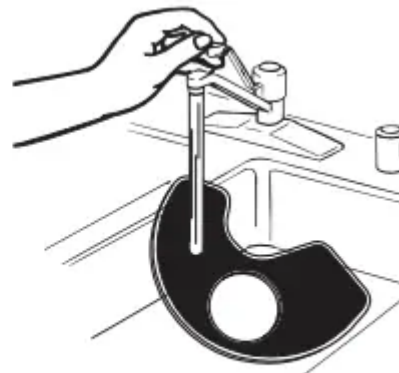
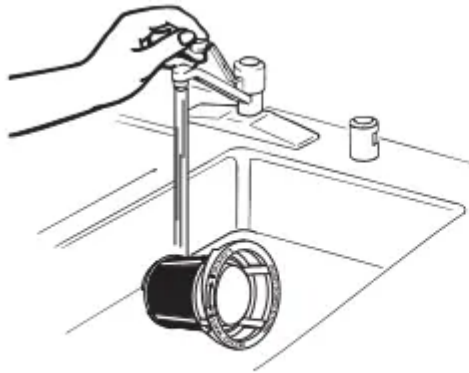


To remove upper filter assembly

2. Separate the upper filter assembly by gently pulling apart.
3. Clean the filters as shown.

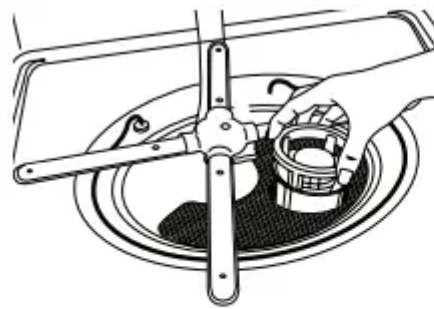
Cleaning Instructions

IMPORTANT: Do not use wire brushes, scouring pads, etc., as they may damage the filters. Rinse filter under running water until most soils are removed. If you have hard-to-remove soils or calcium deposits from hard water, a soft brush may be required.

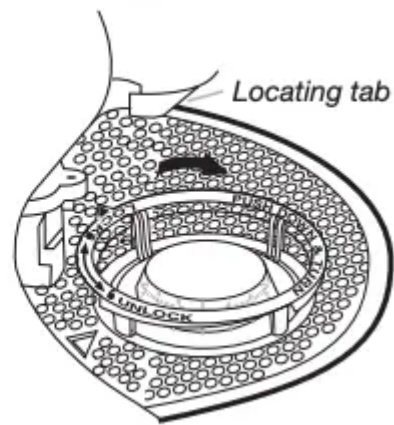


Filter Reinstallation Instructions

1. Noting the previous illustrations, place the lower filter under the locating tabs in the bottom of the dishwasher, so the round opening for the upper filter assembly lines up with the round opening in the bottom of the tub.
2. Insert the upper filter assembly into the circular opening in the lower filter.



To replace upper filter assembly



3. Slowly rotate the filter clockwise until it drops into place. Continue to rotate until the filter is locked into place. If the filter is not fully seated (still turns freely), continue to turn the filter clockwise until it drops and locks into place.

NOTE: The upper filter assembly arrow does not have to align with the arrow in the lower filter as long as the filter is locked.

IMPORTANT: To avoid damage to dishwasher, do not operate your dishwasher without the filters properly installed. Be sure the lower filter is securely in place and the upper filter assembly is locked into place. If the upper filter assembly turns freely, it is not locked into place.

Dishwasher Care

Cleaning the Exterior

Clean the exterior of dishwasher with a soft, damp cloth and mild detergent. If your dishwasher has a stainless steel exterior, it has a coating that is resistant to fingerprints. Avoid using abrasive cleaning products on the exterior of the dishwasher.

Cleaning and Maintaining the Interior

Many detergents may leave white spots or a white residue on dishware and on the interior of the dishwasher. Over time this residue can become unsightly and could affect dishwasher performance. Use of a dishwasher cleaning product such as affresh®† Dishwasher Cleaner can help to remove the residue. Monthly use of affresh®† Dishwasher Cleaner is recommended to help maintain the dishwasher.

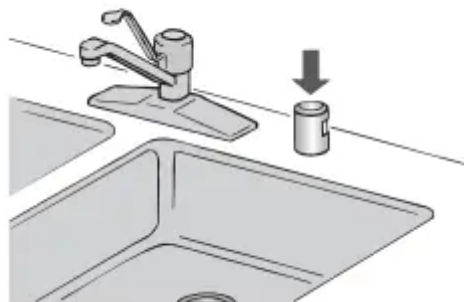
To Use:

1. If cleaning without dishes, place one tablet in the detergent dispenser. Do not add detergent (If significant buildup is noticeable, a second tablet can be placed in the bottom of the dishwasher.)
2. If cleaning with dishes, place one tablet in the bottom of the dishwasher. Place detergent in the dispenser.
3. Run a Normal wash cycle.

Another method to remove white residue is to use a vinegar rinse. However, vinegar is an acid and using it too often could damage your dishwasher.

Place (do not pour), 2 cups (500 mL) white vinegar in a glass or dishwasher-safe measuring cup on the bottom rack. Run the dishwasher through a complete washing cycle using an air-dry or an energy-saving dry option. Do not use detergent. Vinegar will mix with the wash water.

NOTE: KitchenAid® recommends the use of high-quality, premeasured detergent tablets or packs and the use of rinse aid for dishwasher cleaning and daily care.



If you have a drain air gap, check and clean it if the dishwasher isn't draining well.

To Reduce Risk of Property Damage During Vacation or Extended Time Without Use

- When you will not be using the dishwasher during the summer months, turn off the water and power supply to the dishwasher.
- Make sure the water supply lines are protected against freezing conditions. Ice formations in the supply line can increase water pressure and cause damage to your dishwasher or home.
- Damage from freezing is not covered by the warranty.
- When storing your dishwasher in the winter, avoid water damage by having your dishwasher winterized by authorized service personnel.

Troubleshooting

PROBLEM DISHWASHER DOES NOT RUN

SOLUTION

NOTE: It is normal for the dishwasher to repeatedly pause several times during a cycle. If the Start/RESUME light is blinking, press Start/RESUME and close the door within 4 seconds. Be sure the door is closed and latched.

- Check that there is not an interference between large casserole dishes and the wash system at the back of the dishwasher.

- Check to see if any items are protruding through the bottom or back of the rack. Also check to see if tall items are hitting the upper rack or spray arm. Adjust loading as necessary to ensure door is closed and latched.

Press the Start/RESUME or Cancel keypads or open and close the door before selecting your cycle/option. Controls must be awakened after a period of inactivity. Be sure the Control/Lock feature is not on. If the control lock indicator is lit, press and hold Sani Rinse for 3 seconds. The Control Lock LED will turn off and you can then operate the controls.

Be sure you have selected a cycle. See “Cycle and Option Descriptions” section.

Be sure there is power to the dishwasher. A circuit breaker or fuse may have tripped. If lights other than Start/RESUME blink and the unit will not run, you will need to call for service. If the numeric display shows a code “F2E2” you will need to call for service.

DETERGENT REMAINS IN THE DISPENSER OR TABLET IS ON BOTTOM OF TUB

Check for dishware, such as cookie sheets, cutting boards, or large containers, etc., that may be blocking the detergent dispenser from opening properly.

Be sure your detergent is fresh and lump-free.

Be sure the cycle has completed (the Clean light is on). If it has not completed, you will need to resume the cycle by closing the door and pressing Start/RESUME.

CYCLE RUNS TOO LONG

NOTES:

- To use less water and reduce energy consumption, you will encounter cycles that typically run for up to 3 hours.
- A water heater setting of 120°F (49°C) is best the dishwasher will delay longer while heating cooler water.
- Some options will add time to the cycle. See the “Cycle and Option Descriptions” section. The Heat Dry or Extended Heat Dry option adds approximately 45 minutes.

Try the Express Wash cycle.

Run the hot water at a faucet close to the dishwasher before starting the cycle.

DISHWASHER NOT DRYING

NOTE: Plastic and items with nonstick surfaces are difficult to dry because they have a porous surface which tends to collect water droplets. Towel drying may be necessary. Use of rinse aid along with the Heat Dry or Extended Heat Dry option is needed for proper drying.

Proper loading of items can affect drying. (See specific loading instructions within this guide). Glasses and cups with concave bottoms hold water. This water may spill onto other items when unloading.

- Unload the bottom rack first.
- Locate these items on the more slanted side of the rack for improved results.

WILL NOT FILL

Be sure the water to the dishwasher is turned on.

Check that the overflow protection float is free from obstructions. See the “Parts and Features” section.

Check for suds in the dishwasher. If foam or suds are detected, the dishwasher may not operate properly or may not fill with water. See “Blinking Lights” in the “Troubleshooting” section.

WATER REMAINS IN THE TUB/WILL NOT DRAIN

Be sure the cycle has completed (the Clean indicator is on). If it has not, you will need to resume the cycle by pressing Start/RESUME and closing the door within 4 seconds.

If dishwasher is connected to a food waste disposer, be sure the knockout plug has been removed from the disposer inlet.

Check for kinks in the drain hose.

Check for food obstructions in the drain or disposer.

Check your house fuse or circuit breaker.

HARD WATER (WHITE RESIDUE ON DISHWASHER INTERIOR OR GLASSWARE)

NOTE: Extremely hard water mineral deposits can cause damage to your dishwasher and make it difficult to achieve good cleaning. A water softener is strongly recommended if your hardness is 15 grains or more. If a water softener is not installed, the following steps may help:

Use a commercial cleaner designed for dishwashers once per month.

Clean the upper and lower filters at least once per month. See “Cleaning Instructions” in the Filtration System” section.

Always use a rinse aid. Always use a high-quality, fresh detergent.

Use a detergent booster/water softener additive designed for dishwashers.

ODORS

NOTE: If the dishwasher is not used daily, you can run a rinse cycle with the partial load until a full load is ready to run.

Run a vinegar rinse through the dishwasher by putting 2 cups (500 mL) of white vinegar in an upright glass measuring cup in the lower rack. Run a Normal cycle with the Heat Dry or ProDry™ option turned off. Do not use detergent.

The dishwasher may not be draining properly, see “Water Remains In The Tub/Will Not Drain” in the “Troubleshooting” section.

NOISY

Surging sounds can occur periodically throughout the cycle while the dishwasher is draining.

Normal water valve hissing may be heard periodically.

A normal snap sound may be heard when the detergent dispenser opens during the cycle and when the door is opened at the end of the cycle.

Improper installation will affect noise levels.

Be sure the filters are properly installed.

A thumping sound may be heard if items extend beyond the racks and interfere with the wash arms. Readjust the dishware and resume the cycle.

FOOD SOILS REMAIN ON DISHES

Be sure the dishwasher is loaded correctly. Improper loading can greatly decrease the washing performance. See the “Dishwasher Use” section.

Check filter to ensure it is properly installed. Clean it if needed. See “Cleaning Instructions” in the “Filtration System” section for details.

Select the proper cycle and option for the type of soils. The Tough cycle with the Hi-Temp Wash option can be used for tougher loads.

Be sure the incoming water temperature is at least 120°F (49°C). Use the proper amount of fresh detergent. More detergent is needed for heavier soiled loads and hard water conditions.

Scrape food from dishes prior to loading (do not prerinse).

DISHES DIRTY/SUDS IN DISHWASHER/CYCLE NOT COMPLETE

If foam or suds are detected by the dishwasher sensing system, the dishwasher may not operate properly or may not fill with water.

Suds can come from:

- Using the incorrect type of detergent, such as dish detergent for hand washing dishes, laundry detergent, or hand soap.
- Not replacing the rinse aid dispenser cap after filling (or refilling) the rinse aid.
- Using an excessive amount of dishwasher detergent.
- Inadequately rinsing off detergent from dishes washed by hand before loading them into the dishwasher.

Call for service.

If no water was present in the machine at any time during a heated wash cycle, the cycle will end and the Clean indicator will not come on. See “Will Not Fill” in the “Troubleshooting” section.

DID NOT SANITIZE

If the Sanitized light is blinking, the load is NOT sanitized. The cycle was interrupted in the final rinse or the temperature for your water heater is set too low. Set your water heater to 120°F (49°C).

DAMAGE TO DISHWARE

Improper loading can cause dishes to become chipped or damaged. (See specific loading instructions within this guide.)

BLINKING LIGHTS

Blinking indicators will occur when the cycle is paused or when the cycle has been interrupted by opening the door. If the Start/Resume light is blinking, press the Start/RESUME keypad and close the door within 4 seconds.

See “Start or RESUME a Cycle” in the “Dishwasher Use” section.

If the Clean light or any other lights are blinking and the dishwasher will not run, call for service.

CLOUDY OR SPOTTED DISHWARE (AND HARD WATER SOLUTION)

Add or adjust the amount of liquid rinse aid for better drying and to reduce spotting. See the Detergent and Rinse Aid” section.

Use the correct amount of detergent.

Confirm that the cloudiness is removable by soaking the item in white vinegar for 5 minutes.

If the cloudiness disappears, it is due to hard water. Adjust the amount of detergent and rinse aid. See “Hard Water (White Residue on Dishwasher Interior or Glassware)” in the “Troubleshooting” section. If it does not come clear, it is due to etching (see below). Be sure the incoming water temperature is set at 120°F (49°C).

Try using the Hi Temp Wash and Sani Rinse options.

To remove spotting, run a vinegar rinse through the dishwasher.

- Wash and rinse the affected dishware and load into dishwasher. Remove all silverware and metal items. Put 2 cups (500 mL) of white vinegar in a glass measuring cup in the lower rack. Run a Normal cycle with the Heat Dry option turned off. No detergent is needed.

ETCHING (PERMANENT CLOUDINESS)

This is an erosion of the surface of the glassware and can be caused by a combination of water that is too hot, using too much detergent with soft water, or pre-washing. Detergent needs food soil

to act upon. If etching has occurred, the glassware is permanently damaged. To avoid further etching, adjust the detergent amount to match the water hardness, stop pre-washing, and use water heating options only when incoming water temperature is below 120°F (49°C).

LEAKING WATER

Be sure dishwasher has been installed properly and is level. Suds can cause the dishwasher to overflow. Measure the detergent accurately and use only detergents designed for use in a dishwasher. Less detergent is needed in soft water. Try another brand of detergent if sudsing continues.

To avoid rinse aid leaking from the dispenser, be sure the lid is securely attached and avoid overfilling.

TUB IS DISCOLORED

High iron content in the water can discolor the tub.

Tomato-based foods can discolor the tub or dishware. Large amounts of tomato-based foods should be removed from the dishes before loading.

A citrus-based cleaner can be used to clean.

Warning

This content is compiled from multiple sources and is provided for reference purposes only. It may not be complete or fully applicable to all situations. If you are unable to resolve your issue, please contact the product manufacturer or an authorized service provider for official support.