

Introduction

Symbol used in this manual



Note

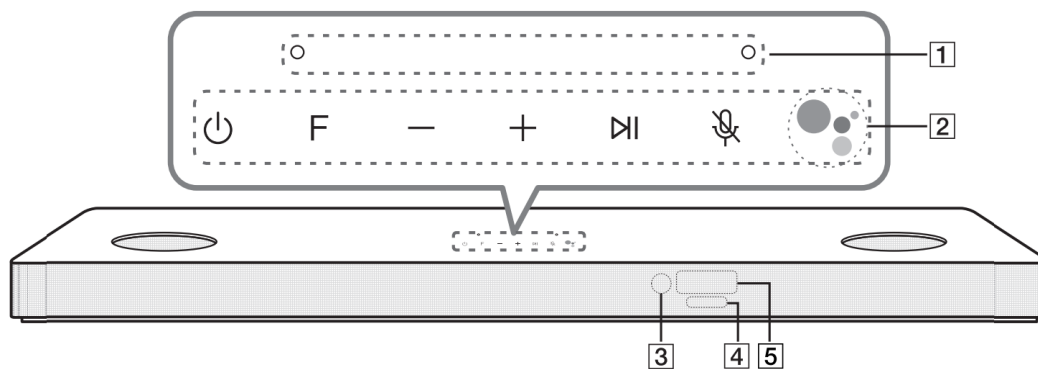
Indicates special notes and operating features.



Caution

Indicates cautions for preventing possible damages from abuse

Front panel



1

Microphone

2

 (Standby)

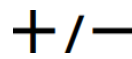
- Switches the unit ON or OFF

F (Function) - Select the function and input source by pressing F repeatedly.

Input source / Function	Display
Wi-Fi	WI-FI
Bluetooth	BT
Optical ARC e-ARC LG Sound Sync (Wired)	OPT/HDMI ARC
HDMI IN 1	HDMI1
HDMI IN 2	HDMI2
USB	USB



You can use Bluetooth function after making Wi-Fi network connection by using Google Home app.

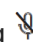
 (Volume)


- Adjusts volume level



Starts playback. / Pauses playback.



(Mic mute) - Disables the detect voice recognition by pressing  on the unit. All the Google Assistant LED turns amber and “The mic is

-muted.” is heard. To cancel it, press  on the unit again. Google Assistant LED turns off and “The mic is back on.” is heard.



Enables Google Assistant to receive your voice commands. To

cancel it, press  again. (Page 38)

Remote sensor

4

Google Assistant LED

- Changes LED status according to Google Assistant performance.

LED	Status	Description
	All four LEDs are on.	Ready to listen to your voice command
	All four LEDs blink	Responds to your voice command.
	Microphone is off and the solid amber LED will be on.	Voice recognition is disable

5

Display Window - Display window will be darkened automatically if there is no key input for 15 seconds. When you press any button, the display window will brighten.



Precautions in using the touch buttons

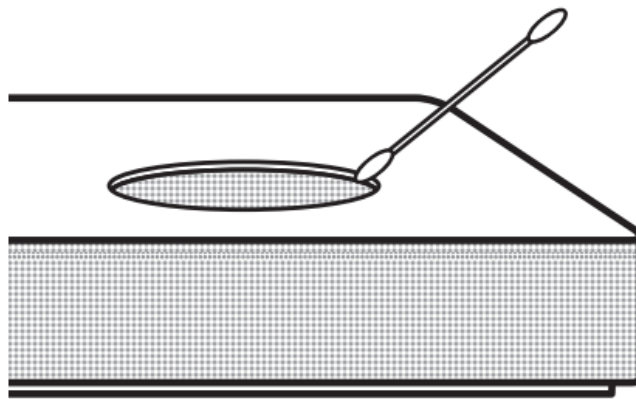
- Use the touch buttons with clean and dry hands.
- In a humid environment, wipe out any moisture on the touch buttons before using.
- Do not press the touch buttons hard to make it work.
- If you apply too much strength, it can damage the sensor of the touch buttons
- Touch the button that you want to work in order to operate the function correctly.

- Be careful not to have any conductive material such as metallic object on the touch buttons. It can cause malfunctions.

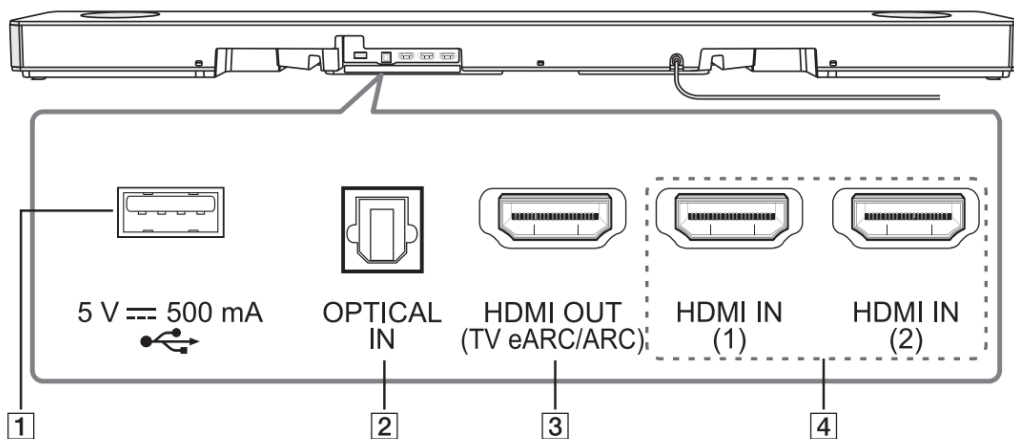


This unit will turn itself off to save electric consumption when the main unit is not connected to an external device and is not used for 15 minutes.

Remove foreign materials between the grill and the case by using a cotton swab



Rear panel



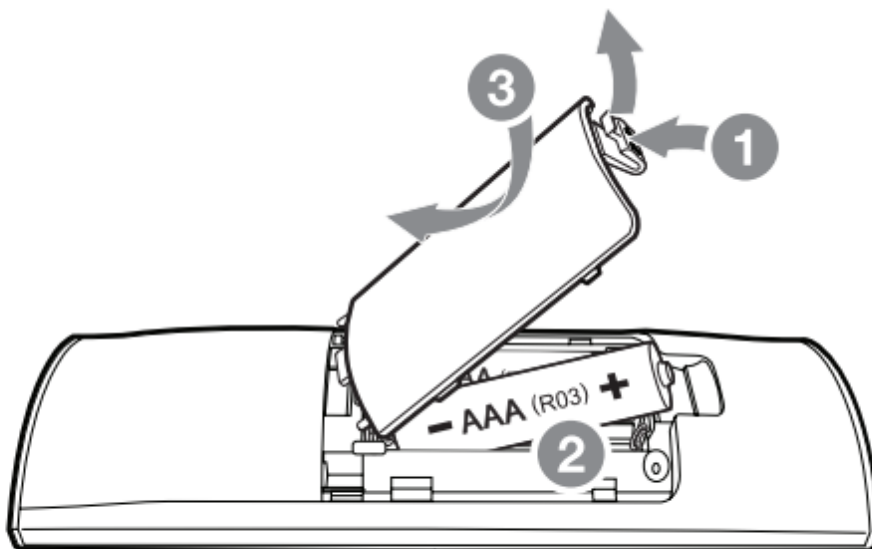
	USB Port - Connect USB memory device to the USB port on the back of the unit.
	OPTICAL IN - Connect the OPTICAL IN jack on the back of the unit to OPTICAL OUT jack on the TV
	HDMI OUT (TV eARC/ARC) - Connect the HDMI OUT (TV eARC/ARC) jack on the back of the unit to ARC jack on the TV.
	HDMI IN (1)/HDMI IN (2) - Connect HDMI IN jack on the back of the unit to HDMI OUT jack on the external device. You can enjoy the sound and picture from HDMI connection on an external device.

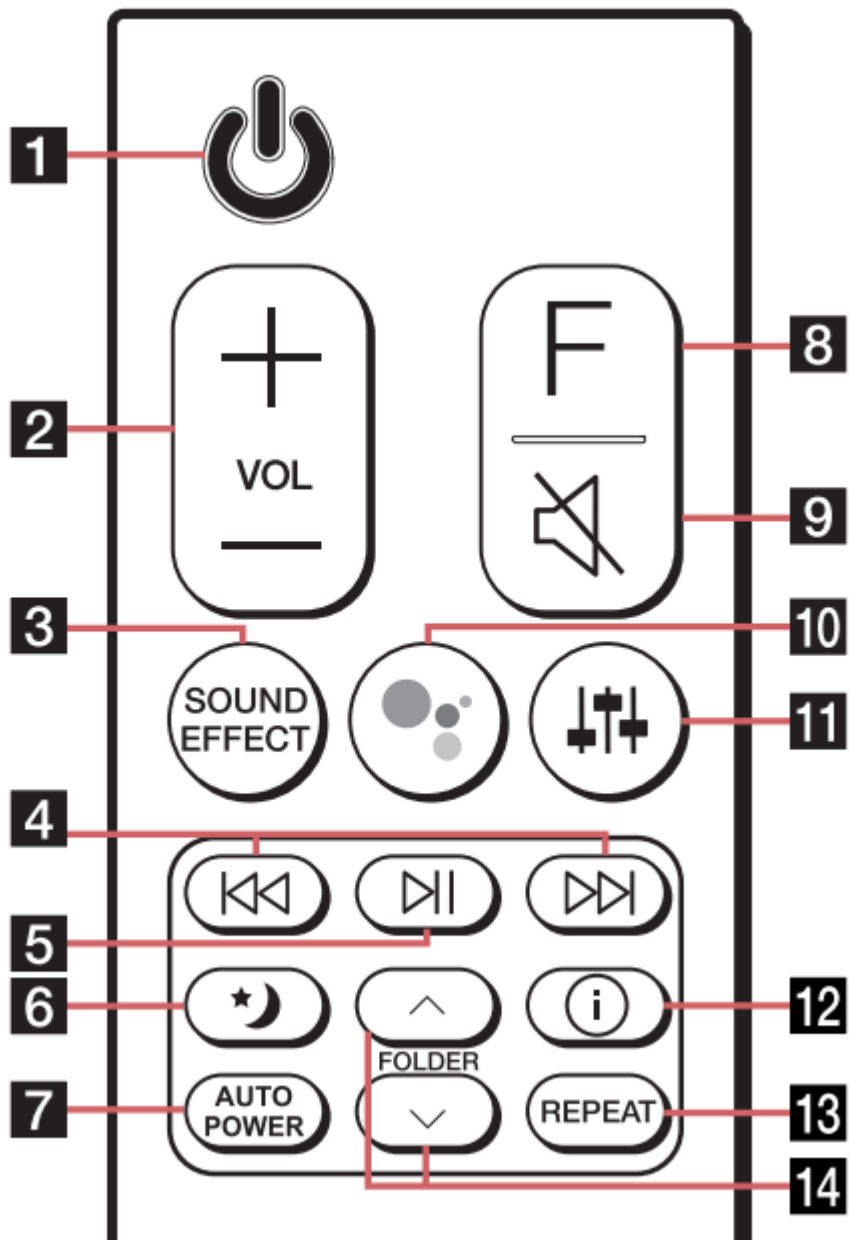
Remote control

Replacement of Battery

Remove the battery cover on the rear of the remote control, and insert the battery with **+** and **-** matched correctly.

Risk of fire or explosion if the battery is replaced by an incorrect type.





(Standby)

- Switches the unit ON or OFF

- Networked standby: It allows the unit to switch to standby mode. To turn on Networked standby function, Press 1. To turn off Networked standby function, press 1 for about 3 seconds

VOL (Volume) o/p - Adjusts speaker volume

SOUND EFFECT - Selects a sound effect mode by using SOUND EFFECT.

On Display	Description
AI SOUND PRO	Analyzes the property of the input sound and provides the sound optimized for the content in real time.
BASS BLAST or BASS BLAST+ R	Reinforces the bass and powerful sound.
STANDARD	You can enjoy premium sound with MERIDIAN technology.
MOVIE	You can enjoy more immersive and cinematic surround sound.
MUSIC	You can enjoy more good sound for music source.

When this unit detects DOLBY ATMOS or DTS:X stream, you cannot change sound effect to any other. In this case, even though you press SOUND EFFECT, this unit does not respond. And you can see only "NOT SUPPORTED" on the display window.

- TV remote: It allows you to control the volume of this unit by your TV remote control even by other company's product. (Page 47) To turn on or off the TV Remote function, press and hold SOUND EFFECT for about 3 seconds and press it again

Supported TV brands

LG	Panasonic	Philips	Samsung	Sharp	Sony		
----	-----------	---------	---------	-------	------	--	--

	C/V (Skip) - Press Cor V to go to next or previous file
	N (Play/Pause) - Starts playback. / Pauses playback.
	8 (Night time) - It is useful when you want to watch movies at low volume late at night. It makes to reduce the sound intensity and improve fineness and softness. Press 8 to activate Night time mode. To cancel it, press 8 again.
	AUTO POWER - It allows the unit to turn on and off automatically by input signal: Optical (Page 47)
	F (Function) - Select the function and input source by pressing F repeatedly.
	[(Mute) - Press [to mute your unit. To cancel it, press [again
	Enables Google Assistant to receive your voice commands while watching TV (not necessary when listening to music through Wi-Fi or Bluetooth, you can just say "Hey Google"). To cancel it, press again. (Page 38)
	(Sound tuning) - Adjusts sound level of each speaker. Select the speaker you want to adjust by using and adjust the sound level by using VOL o/p. , Adjusting rear speakers level is applied only when the rear speakers are connected. , See the page 13 for more information of speakers. Display Description

Display	Description	Range
WF	Sub Woofer	-15 ~ 6
C	Center	-6 ~ 6
OVC	Overhead Volume Control	-6 ~ 6
S	Side	-6 ~ 6
R	Rear	-6 ~ 6
ROV	Rear Top	-6 ~ 6
TRE	Treble	-5 ~ 5
BAS	Bass	-5 ~ 5

Warning

This content is compiled from multiple sources and is provided for reference purposes only. It may not be complete or fully applicable to all situations. If you are unable to resolve your issue, please contact the product manufacturer or an authorized service provider for official support.