

FILTERS AND ACCESSORIES

Water Filtration System

Do not use with water that is microbiologically unsafe or of unknown quality without adequate disinfection before or after the system. Systems certified for cyst reduction may be used on disinfected waters that may contain filterable cysts.

Water Filter Status Light

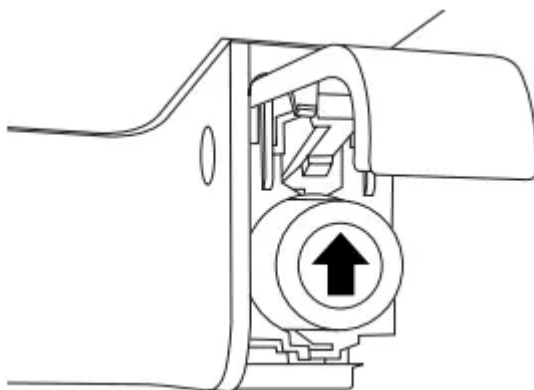
The water filter status light on the control panel will help you know when to order and replace the water filter

- **GOOD** - The water filter icon on the control lights up in **BLUE**.
- **ORDER** a replacement filter - The water filter icon on the control lights up in **YELLOW**.
- **REPLACE** the water filter - The water filter icon on the control lights up in **RED** and “Replace Filter” will appear on the display.
- **EXPIRED** - The water filter icon lights up in **RED** and “Replace Filter” flashes on the display.

NOTE: If water flow to your water dispenser or ice maker decreases noticeably, change the filter sooner. The disposable water filter should be replaced at least every months, depending on your water quality and usage.

- After changing the water filter, reset the status. Press and hold the **WATER FILTER** button for 3 seconds. When the system is reset, the water filter icon will return to its **BLUE** color and the words “Replace Filter” will disappear from the display.

Changing the Water Filter



1. Locate the water filter in the top-right corner of the refrigerator compartment.
2. Lift open the filter cover door. The filter will be released and then eject as the door is opened.

3. When the door is completely open, pull the filter straight out.

NOTE: There may be some water in the filter. Some spilling may occur. Use a towel to wipe up any spills.

4. Take the new filter out of its packaging and remove the covers from the O-rings. Be sure the O-rings are still in place after the covers are removed.

5. With the arrow pointing up, align the new filter with the filter housing and slide it into place. The filter cover door will automatically begin to close as the new filter is inserted.

6. Close the filter cover door completely in order to snap the filter into place. You may need to press hard.

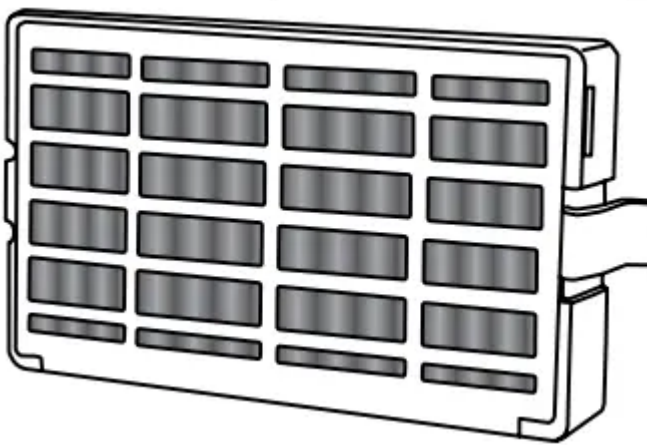
7. Flush the water system. See “Water Dispenser” or “Water and Ice Dispensers.”

Install Air Filter

(on some models)

The air filter reduces the buildup of odors. This helps to maintain a cleaner environment inside the refrigerator.

On some models, your refrigerator's accessory packet includes an air filter, which must be installed prior to use. On some models, the air filter is already installed at the factory.



Installing the Air Filter

Install the air filter behind the vented door, located along the rear interior wall of the refrigerator compartment.

1. Remove the air filter from its packaging.

NOTE: An air filter status indicator is included with the air filter. The indicator is not needed for models that display the air filter status on the control panel.

2. Lift open the vented door.

3. Snap the filter into place.

Air Filter Status Indicator

The control panel displays the Air Filter status.

- GOOD - The air filter icon on the control lights up in BLUE.
- ORDER a replacement - The air filter icon on the control lights up in YELLOW.
- REPLACE air filter - The air filter icon on the control lights up in RED and “Replace Filter” will appear.
- EXPIRED - The air filter icon lights up in RED and “Replace Filter” flashes on the control display.

After replacing the air filter, press and hold the AIR FILTER button for 3 seconds. The filter icons will turn off. See “Using the Control(s).” When the system is reset, the air filter icon will return to its BLUE color and the words “Replace Filter” will disappear from the display.

NOTE: At any filter status, pressing and holding the AIR FILTER button for 3 seconds will reset the air filter status to Good and the air filter icon will turn off.

Replacing the Air Filter

The disposable air filter should be replaced every 6 months, or when the status indicator air filter icon turns on and starts flashing when the refrigerator door is opened.

To order a replacement air filter, contact us. See “Accessories.”

1. Remove the used air filter by squeezing in on the side tabs.
2. Install the new air filter and reset the status indicator using the instructions in the previous section.

Install Produce Preserver

(on some models)

The accessory packet includes two produce preserver pouches, which should be installed in a crisper drawer prior to use.

NOTE: For best performance, always use two pouches.

The produce preserver absorbs ethylene, to slow the ripening process of many produce items. As a result, certain produce items will stay fresh longer.

Ethylene production and sensitivity varies depending on the type of fruit or vegetable. To preserve freshness, it is best to separate produce with sensitivity to ethylene from fruits that produce moderate to high amounts of ethylene.

	Produces Ethylene			
	Very Low	Low	High	Very High
Sensitivity to Ethylene				
High	Broccoli Lettuce Spinach			Apples Pears
Med.	Asparagus Citrus fruit		Cantaloupe	
Low	Carrots Grapes	Berries		

Installing the Produce Preserver

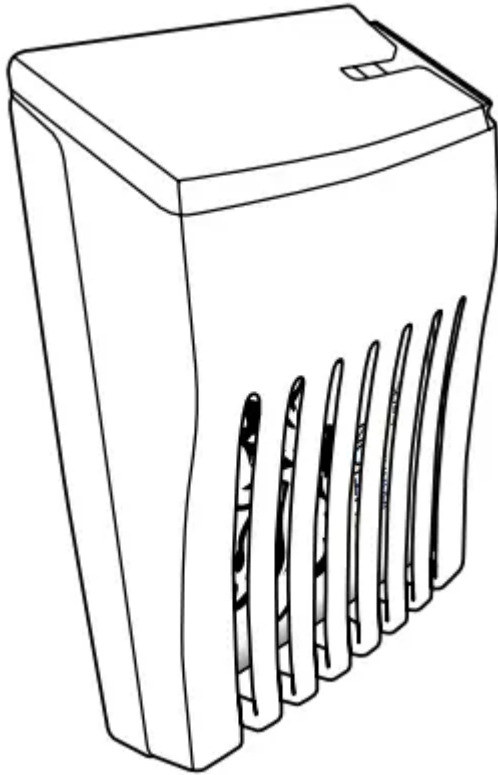
CAUTION: IRRITANT

MAY IRRITATE EYES AND SKIN. DANGEROUS FUMES FORM WHEN MIXED WITH OTHER PRODUCTS.

Do not mix with cleaning products containing ammonia, bleach or acids. Do not get in eyes, on skin or clothing. Do not breathe dust. Keep out of reach of children.

FIRST AID TREATMENT: Contains potassium permanganate. If swallowed, call a Poison Control Center or doctor immediately. Do not induce vomiting. If in eyes, rinse with water for 15 minutes. If on skin, rinse with water.

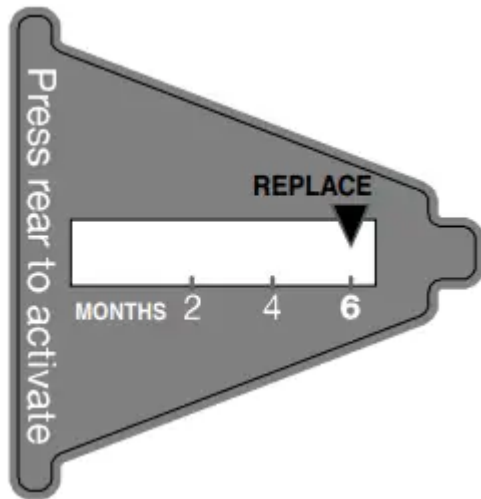
The produce preserver pouches should be installed in the housing, located on the wall of one of the crisper drawers.



1. Remove the FreshFlow™ Produce Preserver pouches from the packaging.
2. Lift up on the housing to remove it from the mounting tab.
3. Open the housing by pulling up and out on the back of the top of the housing.
4. Place both pouches inside the housing, then snap the housing back together.
5. Place the housing back on the mounting tab.

Installing the Status Indicator

The produce preserver comes with a status indicator, which should be activated and installed at the same time the pouches are installed.



1. Place the indicator face-down on a firm, flat surface.
2. Apply pressure to the bubble on the back of the indicator until the bubble pops, to activate the indicator.
3. Slide open the cap on the top of the produce preserver housing.
4. Place the indicator in the top of the housing, facing outward.
5. Slide the cap closed, and check that the indicator is visible through the rectangular hole in the cap.

NOTE: The cap will not easily close if the indicator's bubble has not been popped.

Replacing the Produce Preserver

The disposable pouches should be replaced every 6 months, when the status indicator has completely changed from white to red.

To order replacements, contact us. See "Accessories" for information on ordering.

1. Remove the used pouches from the produce preserver housing.
2. Remove the used status indicator.
3. Install the replacement pouches and status indicator using the instructions in the previous sections.

Accessories

The following accessories are available for your refrigerator. To order, contact us and ask for the part numbers.

affresh™ Stainless Steel Cleaner:

Order Part #W10355016

affresh™ Stainless Steel Wipes:

Order Part #W10355049

affresh™t Kitchen & Appliance Cleaner:

Order Part #W10355010 Water Filter:

Order Part #W10295370A or FILTER1 Air Filter:

Order Part #W10311524 or AIR1 Produce Preserver:

Order Part #W10346771A or FRESH1

Water Filter, Air Filter and Ethylene Filter Bundle Pack:

Order Part #W10443987BL

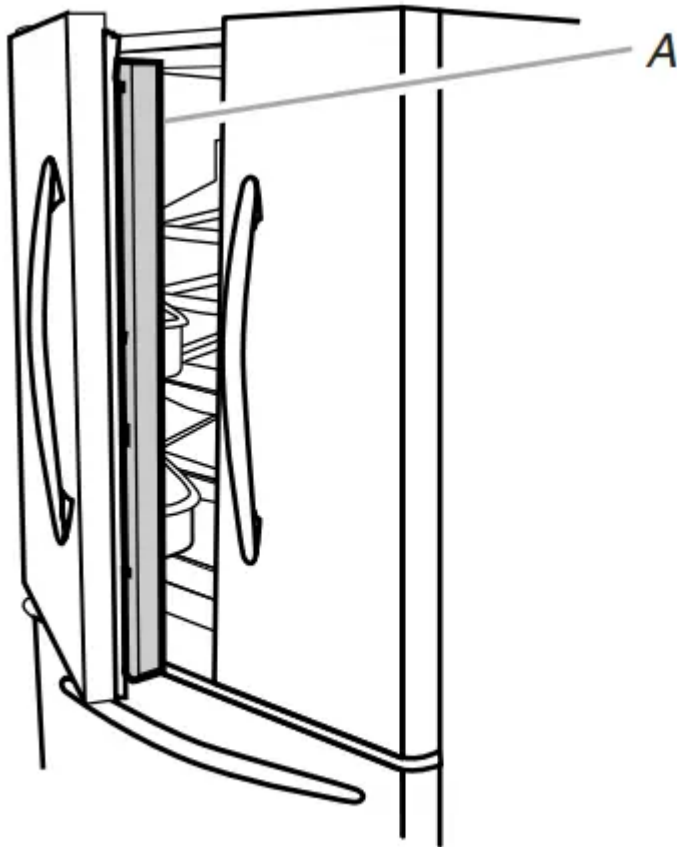
REFRIGERATOR USE

Opening and Closing Doors

There are two refrigerator compartment doors. The doors can be opened and closed either separately or together.

There is a vertically-hinged seal on the left refrigerator door.

- When the left side door is opened, the hinged seal automatically folds inward so that it is out of the way.
- When both doors are closed, the hinged seal automatically forms a seal between the two doors.



A. Hinged seal

Using the Controls

IMPORTANT:

- Wait 24 hours for your refrigerator to cool completely before adding food. If you add food before the refrigerator has cooled completely, your food may spoil.

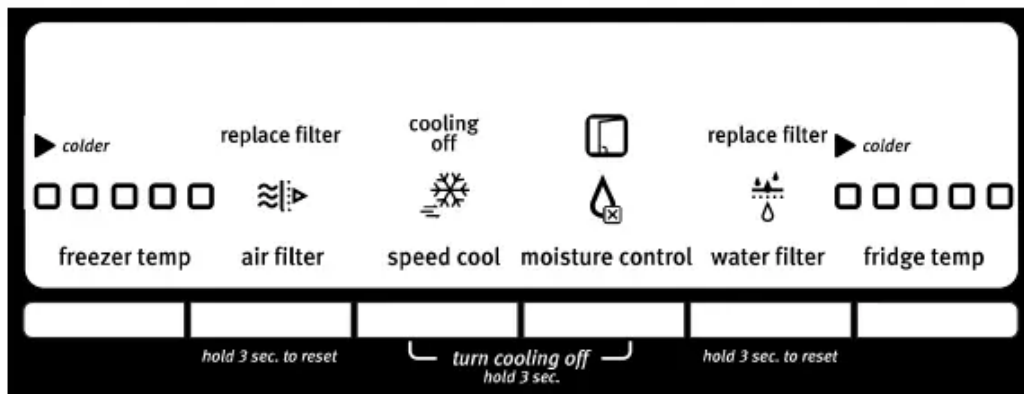
NOTE: Adjusting the refrigerator and freezer temperature controls to a colder than recommended setting will not cool the compartments any faster.

- The recommended setting should be correct for normal household refrigerator use. The controls are set correctly when milk or juice is as cold as you like and when ice cream is firm.
- If the temperature is too warm or too cold in the refrigerator or freezer, first check the air vents to be sure they are not blocked before adjusting the controls.

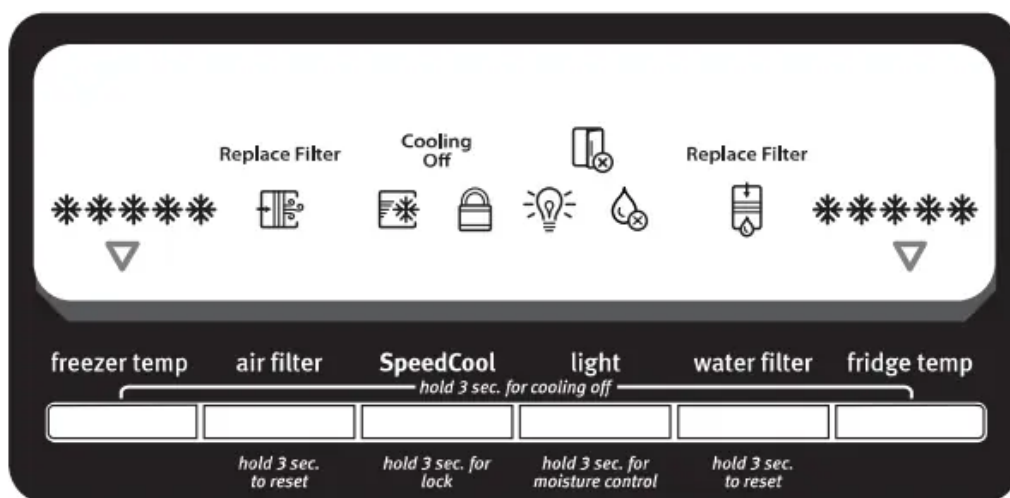
Control Panel

Depending on your model, your refrigerator has either an internal control panel, located at the top of the refrigerator compartment, or an external control panel, located above the external water dispenser. Follow the instructions specific to your model.

Internal Control Panel



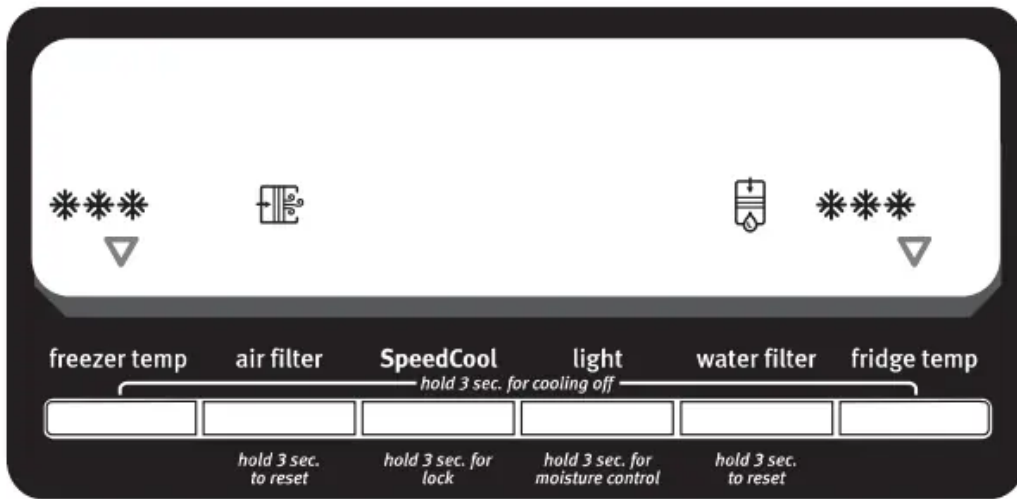
External Control Panel



IMPORTANT (External Control only): The display screen on the dispenser control panel will turn off automatically and enter “sleep” mode when the control buttons and dispenser levers have not been used for 2 minutes or more. While in “sleep” mode, the first press of a control button will only reactivate the display screen, without changing any settings. After reactivation, changes to any settings can then be made. If no changes are made within 2 minutes, the display will re-enter “sleep” mode.

- Touch any control button on the dispenser panel to activate the display screen.

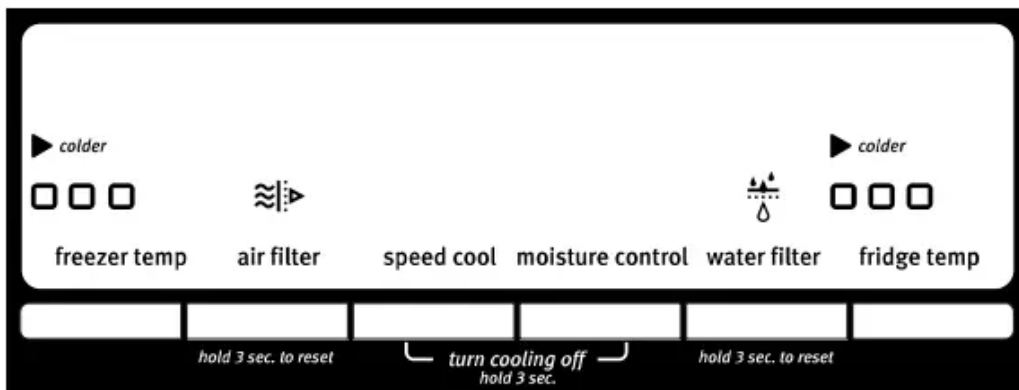




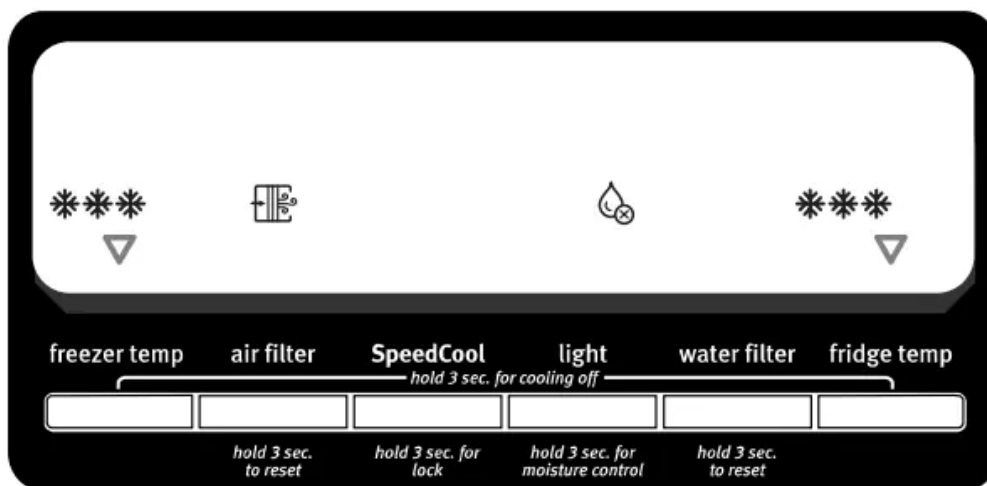
Temperature Control

For your convenience, the temperature control is preset at the factory. When you first install your refrigerator, make sure the control is still set to the recommended setting as shown.

Internal Control - Recommended Setting “3 Boxes”



External Control - Recommended Setting “3 Snowflakes”



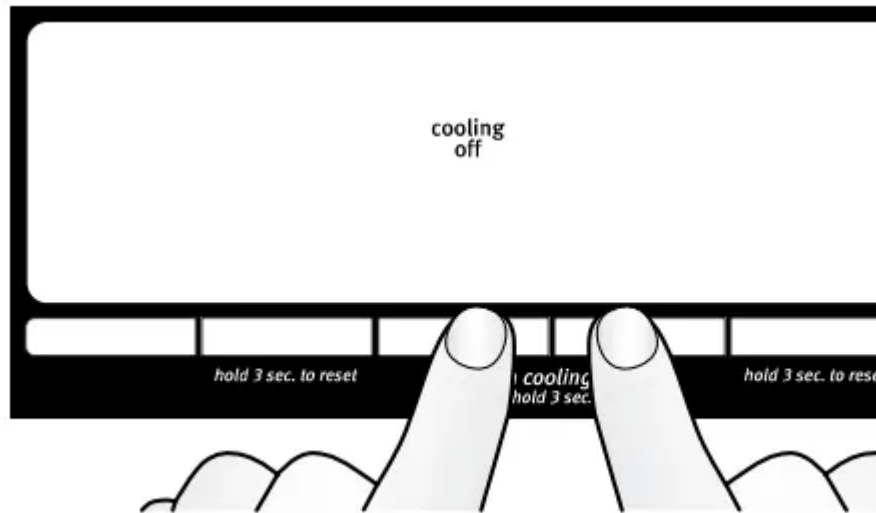
Adjusting the Controls

If you need to adjust the temperature in either the refrigerator or freezer compartment, use the settings listed in the following chart as a guide.

- Press the TEMP button to display the desired number of snowflakes or boxes from (1 snowflake/box [least cold] to all 5 snowflakes/boxes [coldest]).

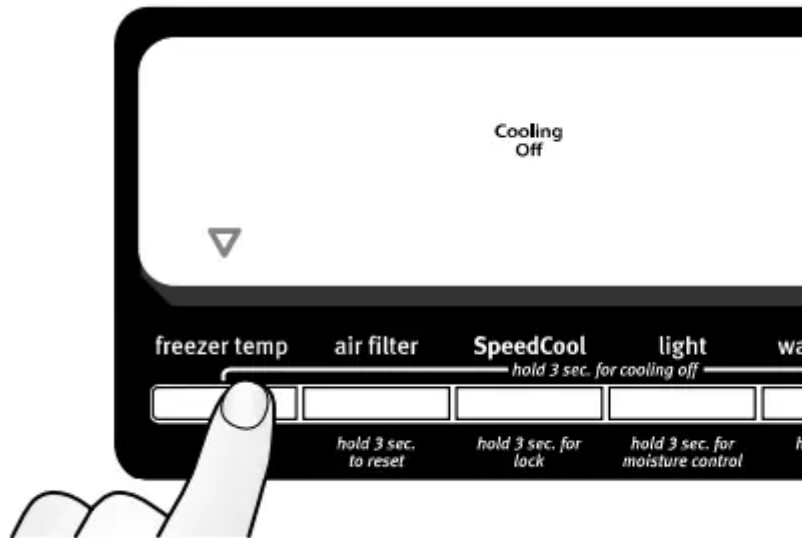
NOTE: Except when starting the refrigerator, do not adjust the control more than one setting at a time. Wait 24 hours between adjustments for the temperature to stabilize.

CONDITION/REASON:



External Control Panel

- To turn cooling off, press and hold both the FREEZER TEMP and SPEED COOL buttons. When cooling is off, "Cooling Off" will appear on the display screen.
- To turn cooling back on. Press and hold both the FREEZER TEMP and SPEED COOL buttons. When cooling is on, "Cooling Off" will disappear and the previous display will appear.



Door Open Alarm

- The Door Open icon lights up whenever either door is opened.



Internal Control

External Control

- When either door is open for 5 minutes and cooling is on, an audible alarm sounds seven times. This pattern will repeat every 2 minutes until all doors are closed. The alarm will reactivate when either door is left open again for 5 minutes.

NOTES:

- To mute the audible alarm while keeping the doors open, such as for defrosting, press the MUTE button on the control panel. The alarm sound will be temporarily turned off for 15 minutes. Press the MUTE button on the control panel again to reactivate the alarm.
- Both doors must be fully closed to turn off the Door Open icon.

SpeedCool

The SpeedCool feature assists during times of high refrigerator use, full freezer, or when the refrigerator is set to a lower temperature.

- Press SPEEDCOOL to set the freezer and refrigerator to the coldest setting. The refrigerator will maintain the selected temperature set point.

NOTES:

- The SpeedCool icon will be illuminated while the refrigerator is in SpeedCool mode.
- The SpeedCool feature will turn off automatically after 24 hours.



Internal Control

External Control

Moisture Control

The moisture control feature turns on a heater to help reduce moisture on the door hinge seal. The refrigerator uses more energy when the moisture control feature is on.

NOTE: The moisture control icon will light up to indicate the feature is on.

To turn on/off the moisture control feature:

- Internal Control Panel - Press and hold MOISTURE CONTROL for 3 seconds.



- External Control Panel - Press and hold LIGHT for 3 seconds.



Internal Control



External Control

Water Filter Status

The filter reset control allows you to restart the water filter status tracking System.”

- Press and hold WATER FILTER for 3 seconds, to reset the wa



Internal Control



External Control

Air Filter Status Li

The filter reset control allows you to restart the air filter status tracking fe

- Press and hold AIR FILTER for 3 seconds, to reset the air filter



Internal Control



External Control

Water Dis

(on some m

IMPORTANT:

- Allow 3 hours for the refrigerator to cool down and chill water.
- Allow 24 hours to produce the first batch of ice. Discard the first
- The dispensing system will not operate when the refrigerator o

Flush the Water System

Air in the water dispensing system can cause the water dispenser replacing the water filter, flush the water system.

Flushing the water dispensing system, forces air from the water line. This process may be required in some households.

NOTE: As air is cleared from the system, water may spurt out of the dispenser.

1. Using a sturdy container, depress and hold the water dispenser paddle.
2. Release the dispenser paddle for 5 seconds. Repeat steps 1 and 2.
3. Once water begins to flow, continue depressing and releasing the paddle until 1 gal. (15 L) has been dispensed.

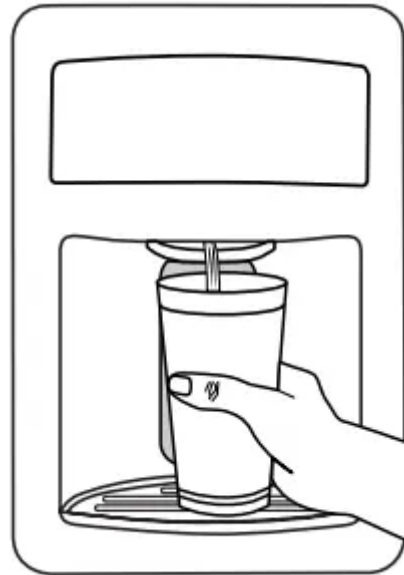
Dispense

IMPORTANT:

- The dispensing system will not operate when the refrigerator door is open.
- The display screen on the dispenser control panel will turn off if the dispenser levers have not been used for 2 minutes or more. To reactivate the display screen, without changing any settings, a button press changes are made within 2 minutes, the display will re-enter "standby" mode.

To dispense water:

1. Press a sturdy glass against the water dispenser paddle.
2. Remove the glass to stop dispensing.



Dispense

When you use the dispenser, the light will automatically turn on. If you want to turn the light off, the light icon will illuminate when the light is on.



ON: Press LIGHT quickly to turn on the dispenser light.

OFF: Press LIGHT quickly to turn off the dispenser light.

NOTES:

- If you unintentionally press and hold the LIGHT button for 3 seconds, happens, press and hold LIGHT for 3 seconds again to turn off the light.
- The dispenser lights are LEDs that cannot be changed. If it appears dim, see “Troubleshooting” for more information.

Dispenser Lock

The dispenser can be turned off for easy cleaning or to avoid unintentional use.

NOTE: The lock feature does not shut off power to the refrigerator controls and dispenser levers. To turn off the ice maker, see “Ice Maker.”

- Press and hold SPEEDCOOL for 3 seconds to lock the dispenser.
- Press and hold SPEEDCOOL for 3 seconds again to unlock the dispenser.



The lock icon will illuminate when the dispenser is locked.

Ice Maker

(on some models)

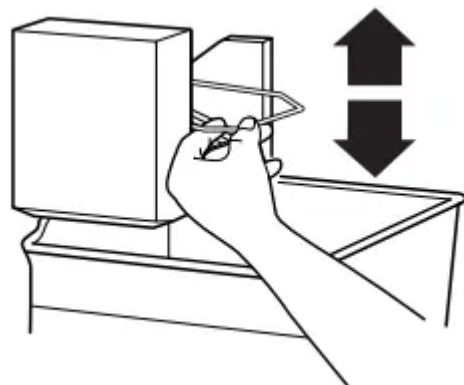
IMPORTANT: For models with a water filter, after connecting the refrigerator to the water supply, dispense three full containers of ice to prepare the water filter for use.

Turning the Ice Maker On/Off

To turn the ice maker ON, simply lower the wire shutoff arm.

To manually turn the ice maker OFF, lift the wire shutoff arm to the OFF (arm up) position.

NOTE: Your ice maker has an automatic shutoff. As ice is made, the ice maker will automatically lift the wire shutoff arm to the OFF (arm up) position. Do not force the wire shutoff arm down.



Ice Storage

1. Wash the ice storage bin with mild soap and warm water.
2. Slide the ice storage bin under the ice maker, and push it toward the ice maker.
3. Lower the arm on the ice maker to the “on” position.

NOTE: It usually takes approximately 24 hours for the ice maker to begin producing ice. Discard the first three batches of ice produced. After that the “off-taste” should go away.

Ice Production

- The ice maker should produce approximately 8 to 12 batches of ice per 24 hours into a 1.5 liter container.
- To increase ice production, lower the freezer and refrigerator temperature. Refer to the temperature adjustments section.

Remember

- The quality of your ice will be only as good as the quality of the water supply. If you have access to a softened water supply, water softener chemicals (such as calcium and magnesium) can affect the taste of ice. If a softened water supply cannot be avoided, make sure to use a water filter.
- Do not use anything sharp to break up the ice in the bin. This could damage the ice maker mechanism.
- Do not store anything on top of or in the ice maker or ice storage bin.

REFRIGERATOR

NOTE: Your model may have some or all of these features.

Refrigerator Shelves

The shelves in your refrigerator are adjustable to match your individual storage needs.

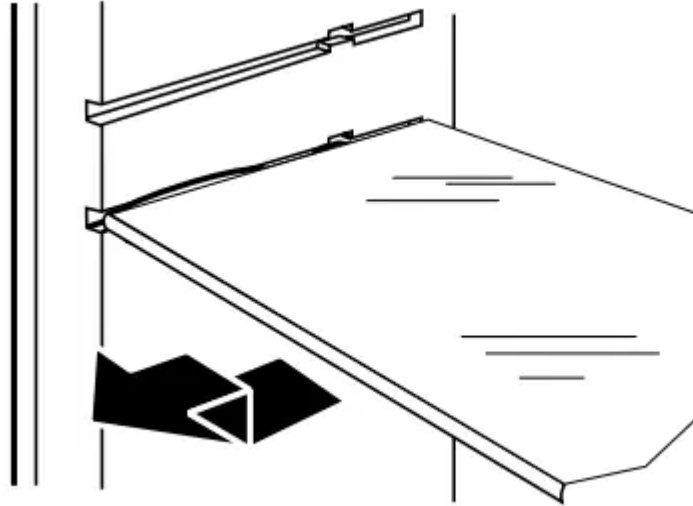
Glass Shelves

To remove a shelf:

1. Remove items from the shelf.
2. Slide the shelf straight out to the stop.
3. Depending on your model, lift the back or front of the shelf past the stop.

To replace a shelf:

1. Slide the back of the shelf into the track in the wall of the cabinet.
2. Guide the front of the shelf into the shelf track. Be sure to slide the shelf all the way in.



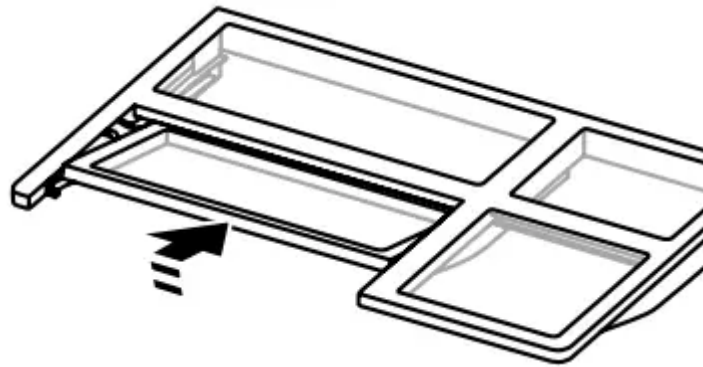
Fold Away Shelf (or

To retract the fold away shelf:

- Retract the fold away section of the shelf by holding the front of the shelf. Then push back and down on the shelf until it slides behind the cabinet wall.

To replace the fold away shelf:

- Replace the fold away section of the shelf by holding the front of the shelf. Then push the fold away section forward until it is fully extended.



Pantry D

To remove and replace the pantry drawer:

1. Slide pantry drawer out to the stop.
2. Lift front of pantry drawer with one hand while supporting bottom of drawer with the other hand.
3. Replace the drawer by sliding it back in fully past the drawer stop.

Pantry Draw

To remove and replace the pantry drawer cover:

1. Remove the pantry drawer.
2. From underneath, push up on the glass cover and pull it out.
3. Replace the pantry drawer cover by lowering it into place.
4. Replace the pantry drawer.

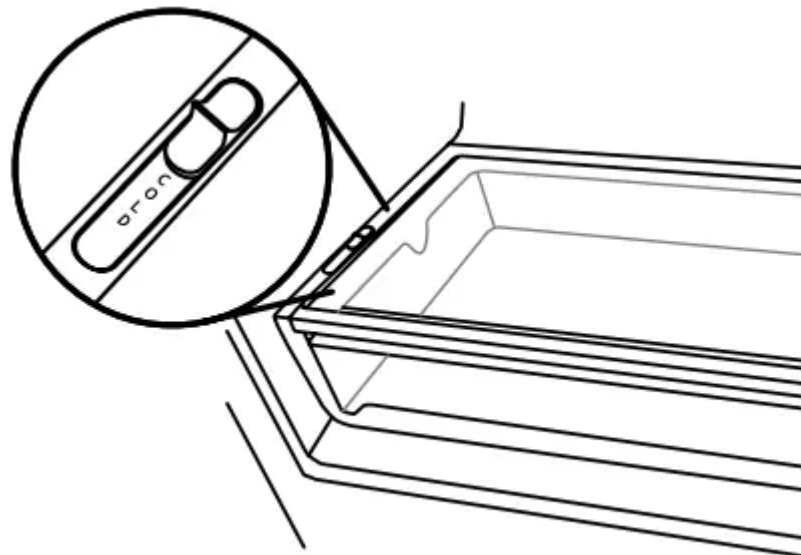
Pantry Drawe

The amount of air flowing through the pantry drawer affects the temperat

The airflow control is located on the left side of the pantry drawer.

To adjust the airflow:

- Colder - Slide the control forward, toward the front of the pantr
- Cold - Slide the control all the way toward the rear of the pantr



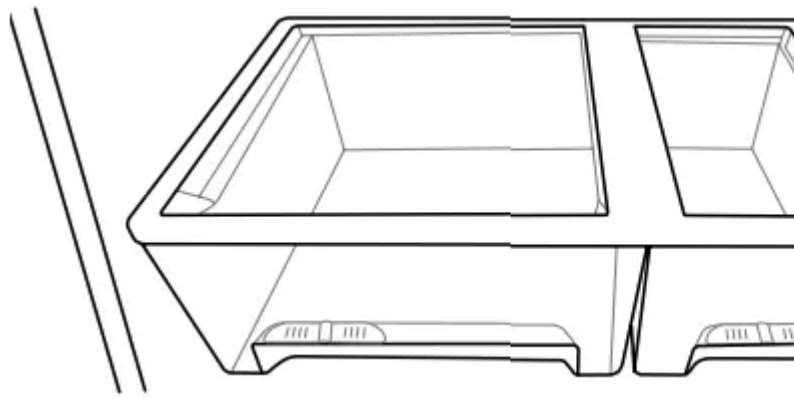
Crisp

Crisper Dr

To remove and replace the crisper drawer:

1. Slide the crisper drawer straight out to the stop. Lift the front a
2. Replace the drawer by sliding the drawer in fully past the stop.





Crisper C

To remove and replace the glass crisper cover:

1. Pull the glass straight out.
2. Replace the glass by pushing it straight in.

Crisper Humidity Control

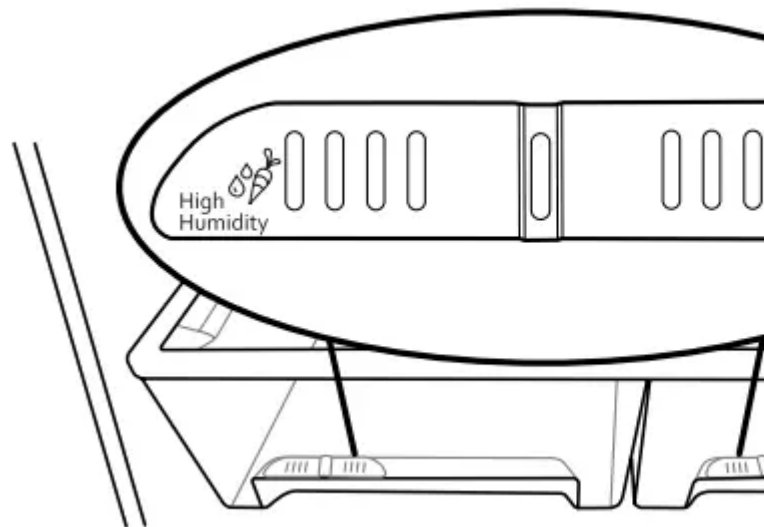
You can control the amount of humidity in the moisture-sealed crisper. Adjust the humidity control slider to LOW or HIGH.

LOW (open) lets moist air out of the crisper for best storage of fruits and vegetables.

- Fruit: Wash, let dry and store in refrigerator in plastic bag or container. Store berries in original container in crisper, or store in a loosely sealed plastic bag.
- Vegetables with skins: Place in plastic bag or plastic container.

HIGH (closed) keeps moist air in the crisper for best storage of fresh, leafy vegetables.

- Leafy vegetables: Wash in cold water, drain and trim or tear off excess leaves. Store in plastic container and store in crisper.



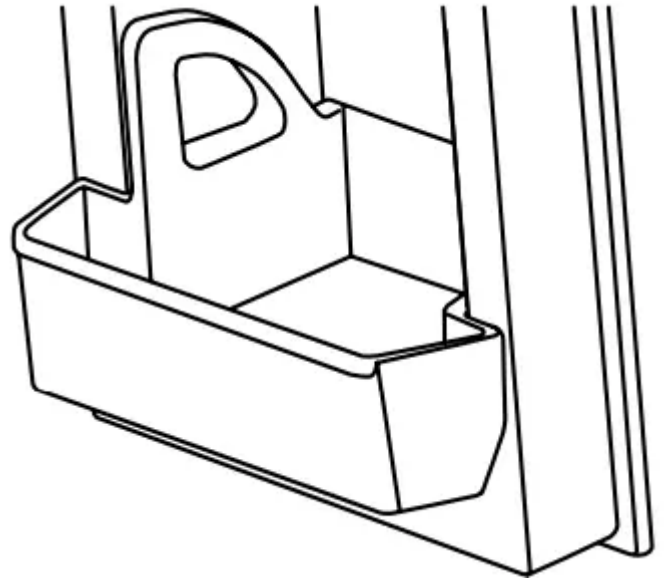
DOOR FEAT

NOTE: Your model may have some or all of these features.

Condiment

To remove and replace the condiment bins:

1. Tilt the bin by grabbing it and pulling outward.
2. Remove the bin by grabbing it and lifting it upward off the glides.
3. Replace the bin by sliding it back onto the glides and then pushing it forward.

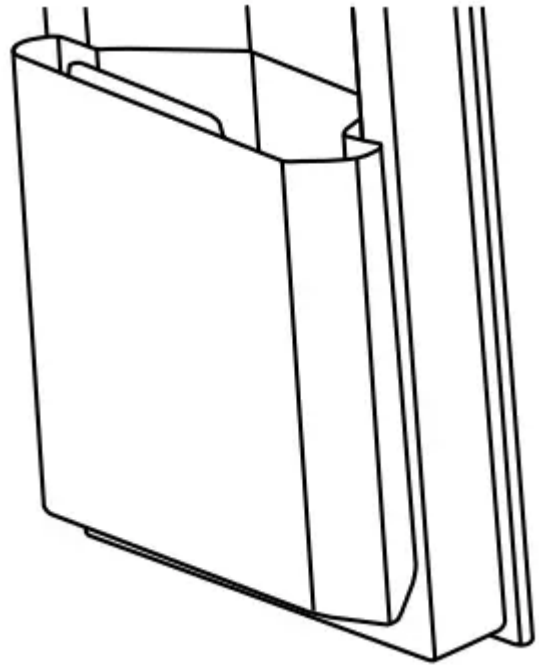


Fresh

(on some models)

To remove and replace the fresh bin:

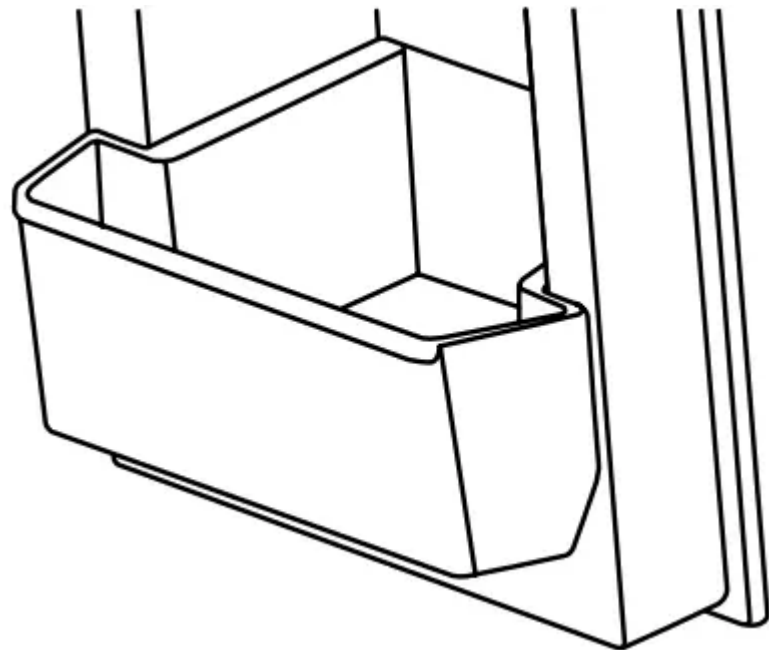
1. Open the bin by grabbing the top center lip of the bin and tilting it back.
2. Remove the bin by grabbing both sides of the bin and lifting it up and out of the compartment.
3. Replace the bin by sliding it back into its tilted position on the glides and then pushing it forward.



Half-Height Bin (or

To remove and replace the half-height bin:

1. Tilt the bin by grabbing it and pulling outward.
2. Remove the bin by grabbing it and lifting it upward off the glides.
3. Replace the bin by sliding it back onto the glides and then pushing it forward.



REFRIGERATOR

Cleaning

Both the refrigerator and freezer sections defrost automatically. However, wipe up spills immediately.

IMPORTANT:

- Because air circulates between both sections, any odors formed in one section can transfer to the other. To avoid odor transfer, clean both sections to eliminate odors. To avoid odor transfer from the refrigerator to the freezer, keep your surfaces clean by using the following cleaning instructions.
- For stainless steel models, stainless steel is corrosion-resistant. To keep your stainless steel, keep your surfaces clean by using the following cleaning instructions.

To Clean Your Refrigerator:

NOTE: Do not use abrasive or harsh cleaners such as window sprays, scouring pads, concentrated detergents, bleaches or cleansers containing petroleum products on the refrigerator and door liners or gaskets. Do not use paper towels, scouring pads, or other abrasive materials.

1. Unplug refrigerator or disconnect power.
2. Hand wash, rinse, and dry removable parts and interior surfaces with clean, warm water in warm water.
3. Clean the exterior surfaces.

Painted metal: Wash painted metal exteriors with a clean, soft cloth. Wash surfaces with clean, warm water and dry immediately to avoid water spots.

Stainless steel: Wash stainless steel surfaces with a clean, soft cloth. Wash surfaces with clean, warm water and dry immediately to avoid water spots.

NOTE: When cleaning stainless steel, always wipe in the direction of the grain.

4. There is no need for routine condenser cleaning in normal home environments. If your home is dusty, or there is significant pet traffic in the home, the condenser may need to be cleaned to maintain efficiency.

If you need to clean the condenser:

- Remove the base grille.
- Use a vacuum cleaner with a soft brush to clean the condenser coils and the condenser.
- Replace the base grille when finished.

1. Plug in refrigerator or reconnect power.

IMPORTANT:

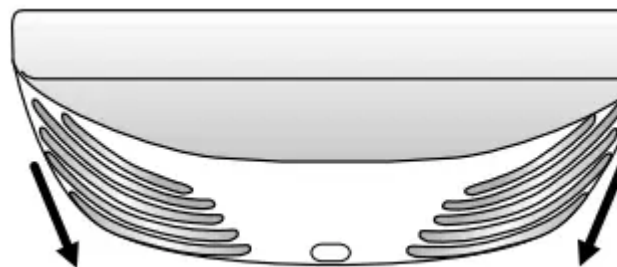
- Not all appliance bulbs will fit your refrigerator. Be sure to replace with the correct wattage.
- To ensure optimum refrigerator performance, replace light bulbs regularly.

Refrigerator Compartment Light

The lighting located at the top of the refrigerator compartment never needs to be replaced. If the light is not working, please contact a service technician. In the U.S.A., call 1-800-253-1301.

Freezer Compartment Light (on some models)

1. Unplug the refrigerator or disconnect power.
2. Remove the light shield (on some models).
 - Top of the freezer compartment - Slide the light shield assembly down.



1. Replace the burned-out bulb with an appliance bulb(s) no greater than the wattage specified on the label.
2. Replace the light shield.
3. Plug in refrigerator or reconnect power.

TROUBLESHOOTING

First try the solutions suggested here or visit our website and refer to the troubleshooting chart for more information. The cost of a service call is not included.

PROBLEM	
PROBLEM	
PROBLEM	POSSIBLE CAUSES
The door(s) or drawer will not close completely	The door or drawer is blocked open
	A bin or shelf is in the way
	Recently installed
The doors are difficult to open	The door gaskets are dirty or sticky
The doors appear to be uneven	The doors need to be aligned or the refrigerator needs to be leveled
The doors do not open or close as expected	The refrigerator tilt needs to be adjusted

Warning

This content is compiled from multiple sources and is provided for reference purposes only. It may not be complete or fully applicable to all situations. If you are unable to resolve your issue, please contact the product manufacturer or an authorized service provider for official support.

