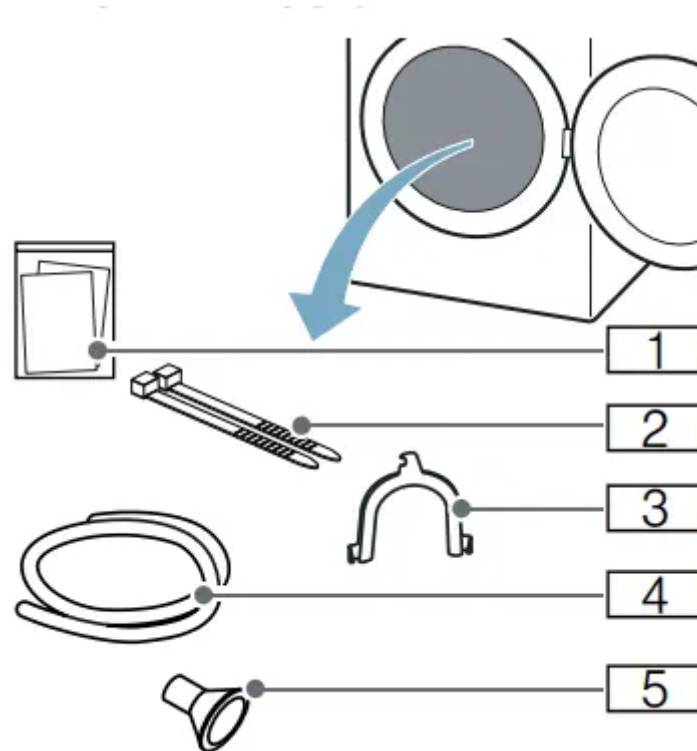


Installing and connecting the appliance

Scope of supply



1. Accompanying documents (e.g. installation and operating instructions)
2. Fastening parts
3. U-piece for fixing the drain hose in place
4. Drain hose
5. Connection adapter

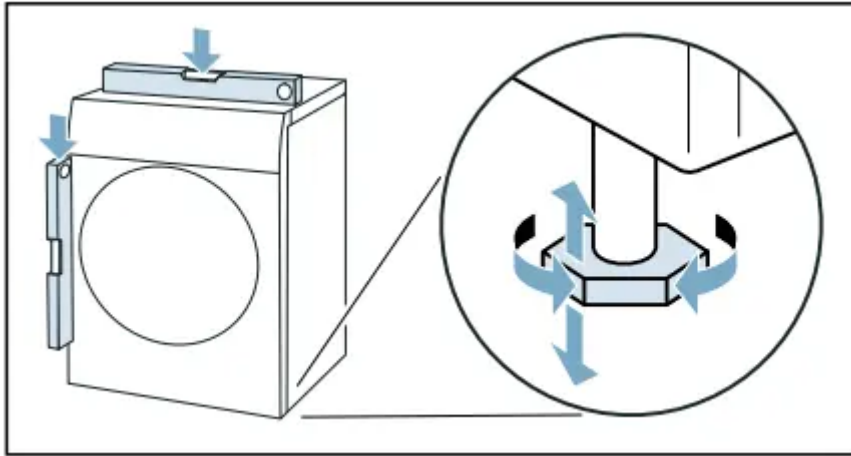
1. Remove any packaging and protective covers completely from the appliance.
2. Open the door.
3. Remove all the accessories from the drum.

You can now install and connect the appliance.

Installing the appliance

Install the appliance as follows:

1. Place the appliance on a clean, even, solid surface.
2. Check that the appliance is level using a spirit level.



3. If necessary, turn the appliance feet to make sure it is level.

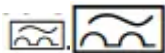
You can now connect the appliance.

Notes

- All appliance feet must stand firmly on the ground.
- If appliances are not aligned correctly, this may result in noises, vibrations, uneven drum operation and/or to residual water leaking out of the appliance.

Connecting the appliance

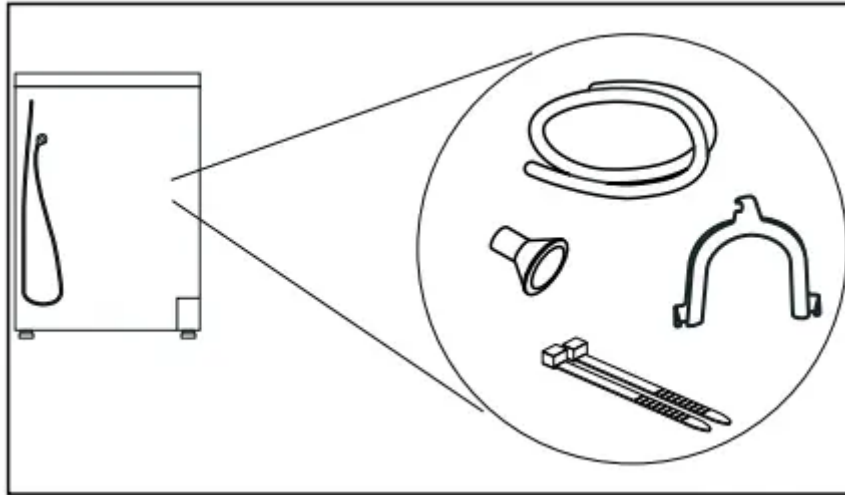
- The mains voltage on your power socket must match the rated voltage specified on the appliance (identification plate). The connected loads and the required fuse protection are specified on the identification plate.
- The appliance must not be supplied through an external switching device, such as a timer, or connected to a circuit that is regularly switched on and off by a utility.
- The mains plug and the protective contact socket must match and the earthing system must be correctly installed.
- The installation must have an adequate cross section.
- The mains plug must be freely accessible at all times. If this is not possible, in order to comply with the relevant safety regulations, a switch (all pole disconnection) must be built into the permanent installation in accordance with electrical installation regulations.
- If using a residual current circuit breaker, only use one that bears the following mark:



. The presence of this mark is the only way to be sure that it fulfils all the applicable regulations.

Connect the appliance as follows:

1. Connecting the drain hose.



2. Plug the appliance's mains plug into the designated socket.

3. Check that the mains plug is in securely.

Your appliance is now ready to use.

Before using the appliance for the first time

Before you switch on the appliance:

Check that there is no visible damage to the appliance. Do not operate the appliance if it is damaged. Should you have any problems, please contact your specialist dealer or our customer service.

Note: Once the appliance has been properly installed and connected, it is ready to use. No further steps are necessary

Optional accessories

Order optional accessories* from the after-sales service:

- **Basket for woollens:**

Dry or air individual woollen items, sports shoes and soft toys in the basket for woollens.

Order number: **WMZ20600**.

- **Platform:**

For easier loading and unloading, raise your dryer with a platform.

You can transport laundry with the laundry basket integrated into the platform drawer.

Order number: **WMZ20500**.

- **Washer-dryer stack connection kit:**

To save space, the dryer can be placed on top of a suitable washing machine of the same width and depth.

Only this connection kit may be used to secure the dryer to the washing machine.

Order number with pull-out worktop: **WTZ27400**

Order number without pull-out worktop: **WTZ27410**.

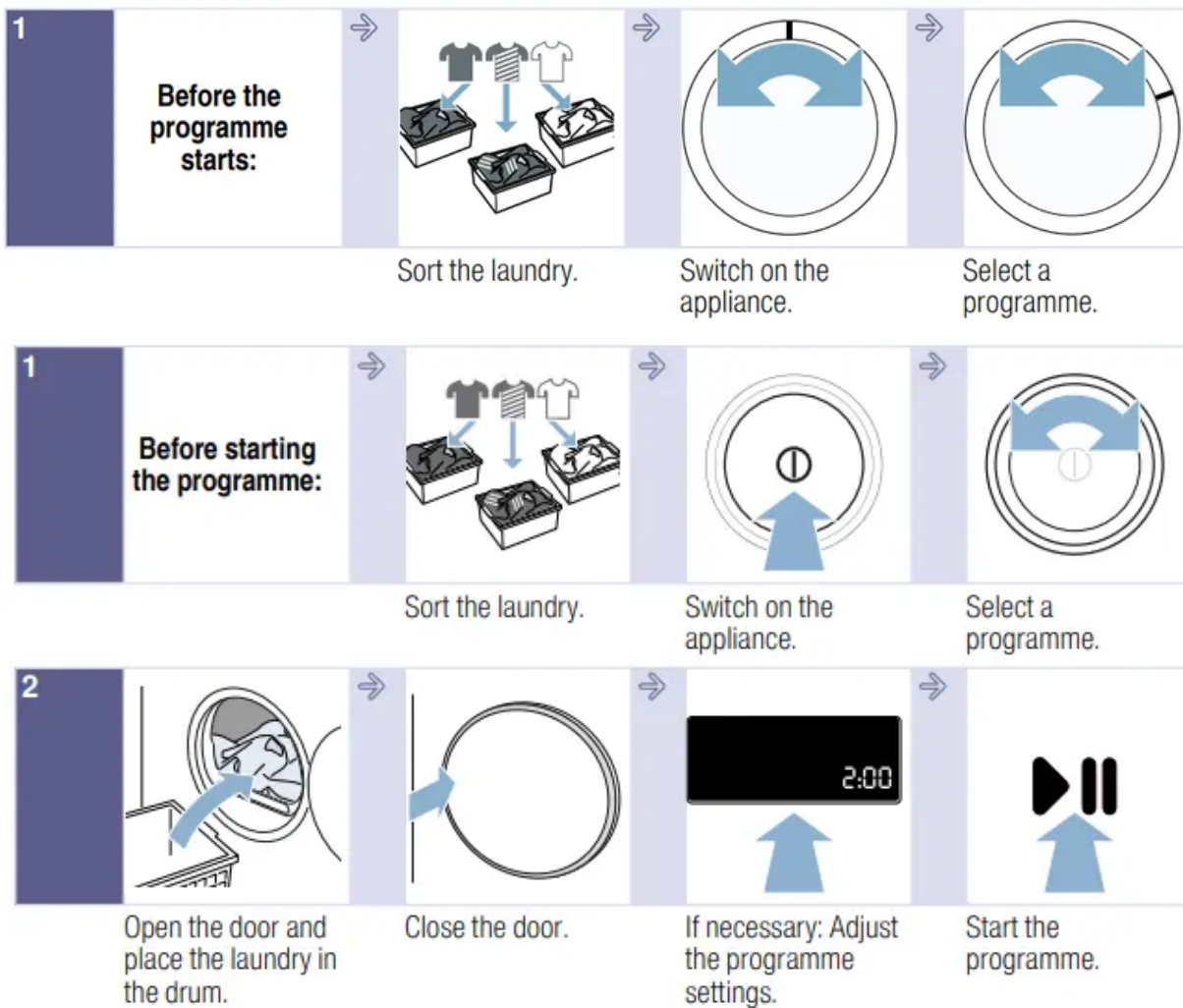
- Condensate drainage kit:

You can discharge the condensation water into the waste-water system via a drain hose. If you choose to discharge the condensation water into the waste-water system, you will not need to empty the condensation container during the drying programme or after each time you use the dryer.

Order number: **WTZ1110**

Quick reference guide

Note: The appliance must be correctly installed and connected. ~ Page 12



2

Open the door and place the laundry in the drum.

Close the door.

If necessary: Adjust the programme settings.

Start the programme.

3

Once the programme has ended:

Switch off the appliance.

Open the door and remove the laundry.

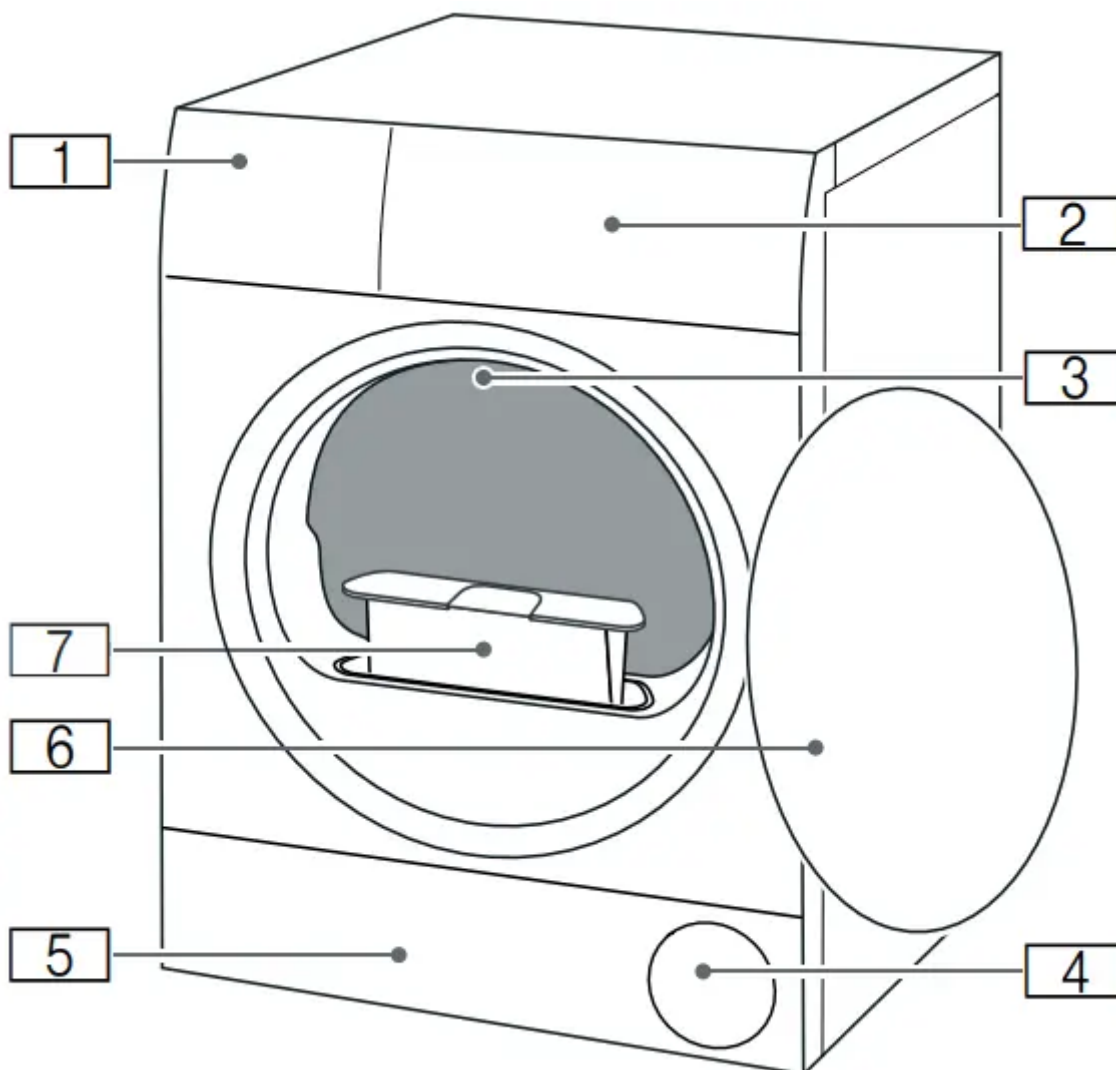
Empty the condensation container.

4

Remove the fluff.

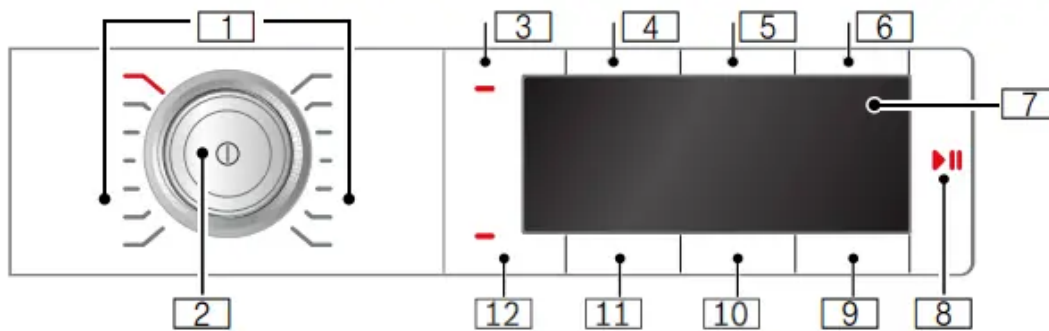
Familiarising yourself with your appliance

Appliance overview



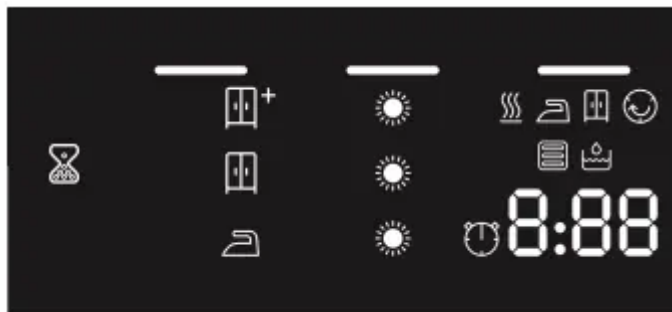
1. Condensation container
2. Control panel
3. Drum interior lighting (depending on the model)
4. Air inlet
5. Door
6. Fluff filter


Fascia




1. Programmes
2. Programme selector
 - Press to switch the appliance on/off
 - Turn to set a programme
3. Childproof lock
 - Prevents the functions you have set from being changed accidentally.
 - To activate/deactivate it
4. Anti-Crease 60 min
5. Anti-Crease 120 min
6. Low-Heat Drying
7. Display
 - Displays settings and information
8. A for:
 - Starting a programme
 - Pausing a programme, e.g. to add items of laundry
 - Cancelling a programme
9. Ready in
10. Degree of dryness
11. Dryness level
12. Audible signal

Display




 Empty the condensation container


 Remove the fluff

 The heat exchanger is being cleaned automatically

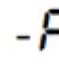
Programme progress for:

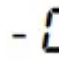
 Drying

 Iron Dry

 Cupboard Dry


 Anti-Crease

-  - Pause


-  - Programme end


Dryness levels for:

 Iron Dry

 Cupboard Dry

 Cupboard Dry Plus

 Degree of dryness selected

 Timed programme selected

1:27 Expected programme duration in hours and minutes

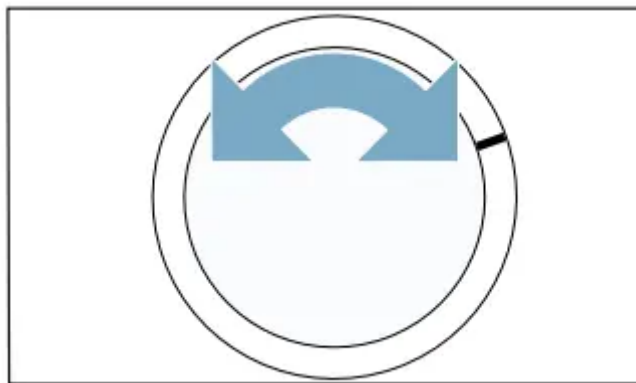
3h Programme delay in hours when "Ready in" time is selected

Operating the appliance

Setting a programme

Note: If you have activated the childproof lock, you must deactivate it before you can set a programme.

1. Set the programme you require.



2. Adjust the programme settings, if required.

Starting the programme

Press Start/Reload .

Note: If you want to prevent the programme from being adjusted inadvertently, activate the childproof lock.


Programme progress

The programme status will be indicated on the display.

Note: When a programme is selected, the expected drying time for the maximum permitted load is displayed. The moisture sensor measures the residual moisture in the laundry as it is being dried. The programme duration and the remaining time indicated on the display are automatically adjusted as the programme progresses, depending on how damp the laundry is (exception: Timed programmes).

Changing the programme or adding more laundry

You can remove or add laundry and change or adjust the programme at any time during drying.

1. Open the door or press Start/ Reload  to pause the programme. Note: The drum will continue to rotate when the CoolDown process is in progress, even if you have paused the programme. You can stop the CoolDown process at any time by opening the door.
2. Add or remove laundry.


3. If required, select a different programme or a different programme setting. → "Overview of programmes" on page 22 → "Programme settings" on page 24 Note: Do not change the programme during the CoolDown process.

4. Close the appliance door.

5. Press Start/Reload .

Note: The programme duration is updated on the display, depending on the load and on the residual moisture in the laundry. The values displayed may change when the programme or load is changed.

Cancelling the programme

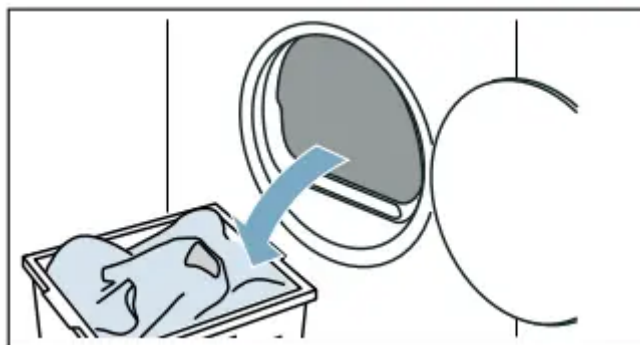
The programme can be cancelled at any time by opening the door or pressing Start/Reload .


End of programme

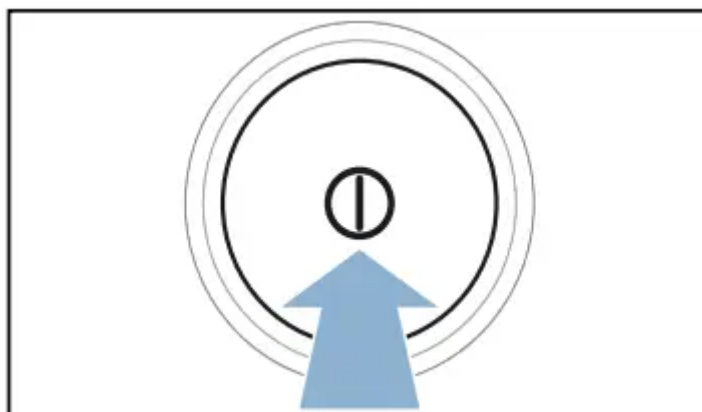
- 0 - appears in the display

Removing laundry and switching off the appliance

1. Remove the laundry.



2. Press  to switch off the appliance.

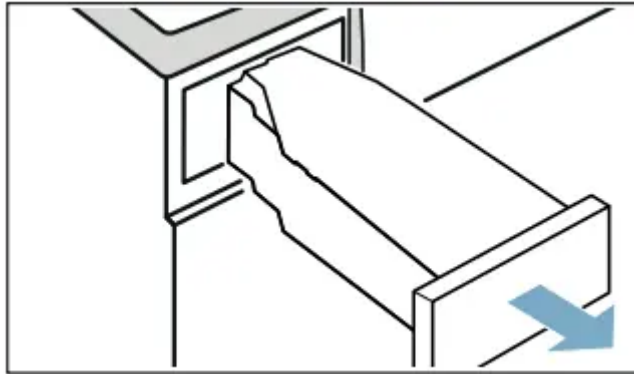


Emptying the condensation container

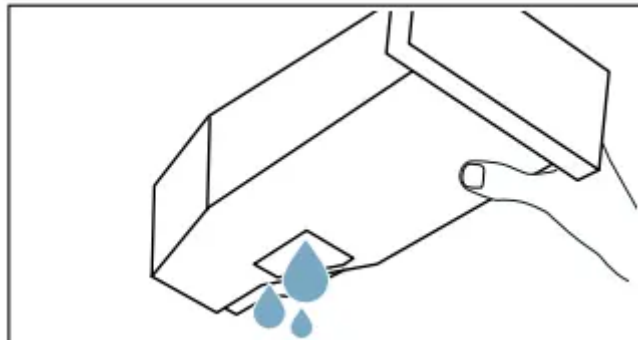
Condensation will form in the appliance as it dries the laundry.

If there is no drain hose connected to the appliance, the condensation water from the appliance will run into the condensation container. In this case, you will need to empty the condensation container each time the dryer finishes drying the laundry, and also if it becomes full before drying is complete.

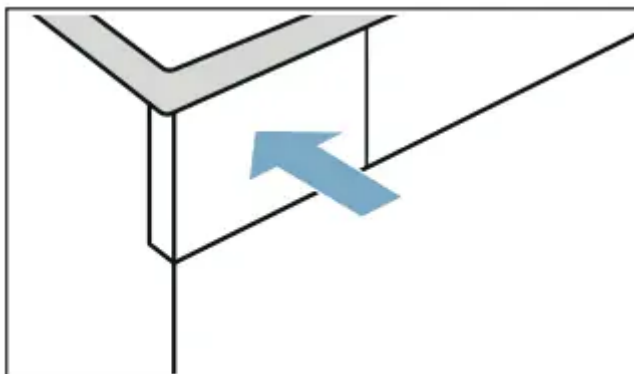
1. Pull out the condensation container horizontally



2. Pour out the condensation water.



3. Push the condensation container back into the appliance until you feel it lock into place.

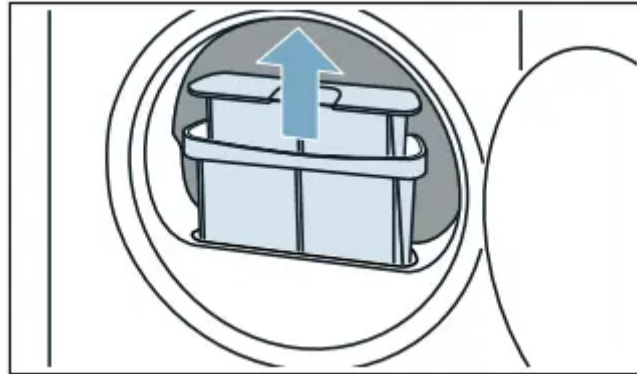


Removing the fluff

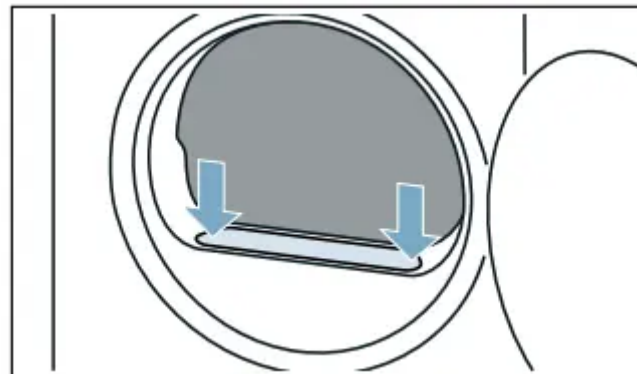
Note: During drying, fluff and hair from the laundry is trapped by the fluff filter. If the fluff filter is clogged or dirty, this reduces the flow of air, preventing the appliance from achieving optimal drying results. Dirty fluff filters increase the power consumption and increase the required drying time.

Clean the fluff filter after each drying cycle:

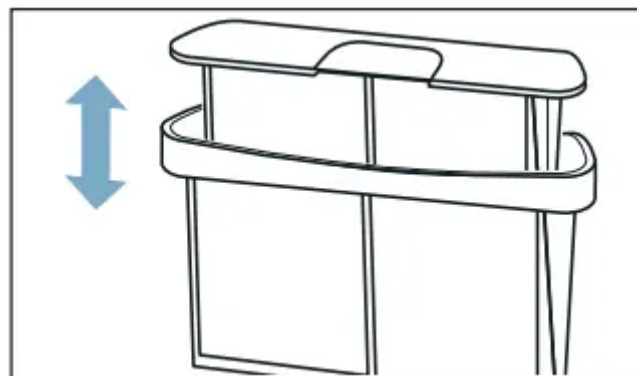
1. Open the door and remove all fluff from it.
2. Pull out the two-part fluff filter.



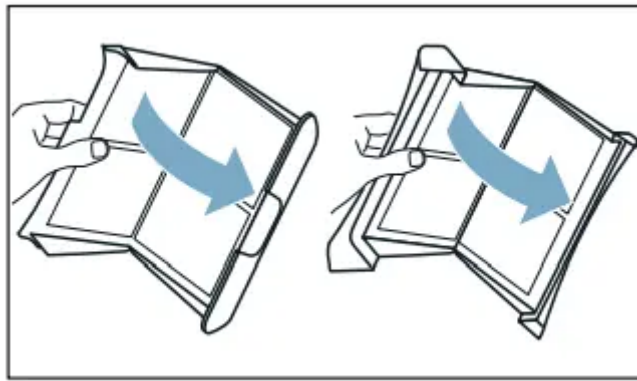
3. Remove the fluff from the fluff filter recess. Ensure that no fluff falls into the open shaft.



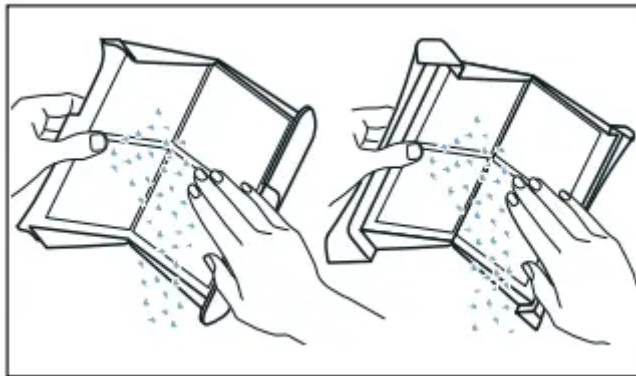
4. Pull the two-part fluff filter apart.



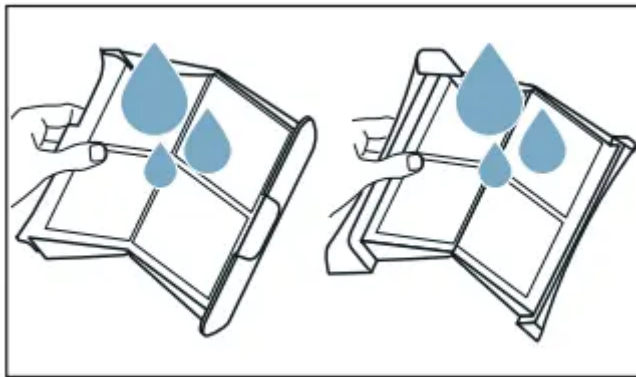
5. Open the two parts of the filter.



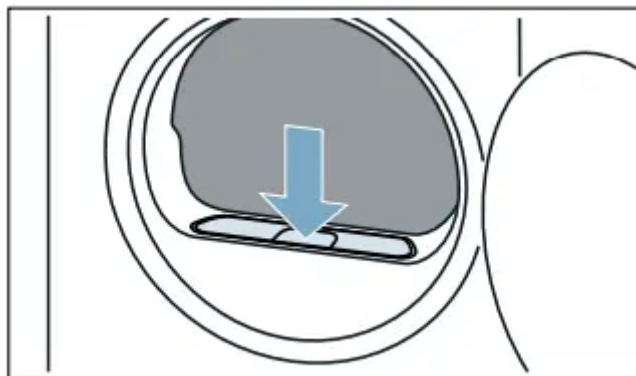
6. Remove all fluff from both parts of the filter.



7. Rinse off fluff under warm, running water.



8. Dry the two parts of the fluff filter, snap them shut and reinsert the filter.

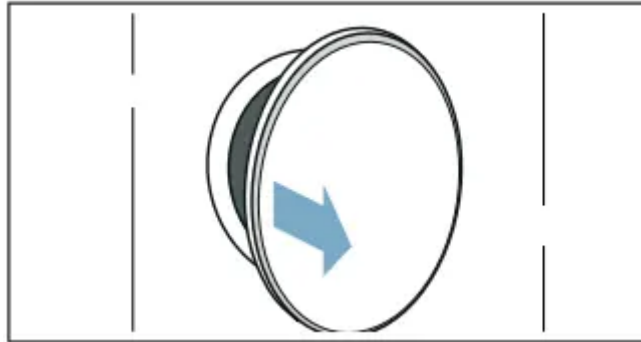


Cleaning and maintenance

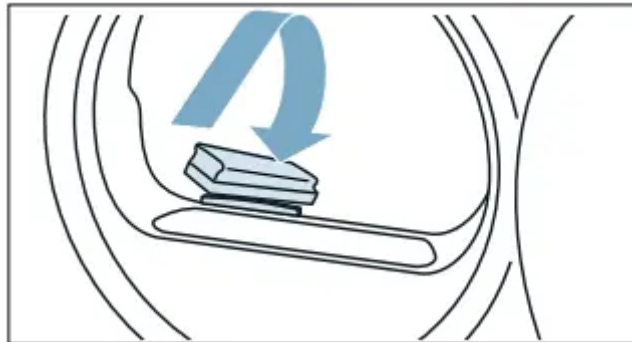
Cleaning the moisture sensor

Note: The moisture sensor measures the amount of moisture in the laundry. After long periods of usage, the moisture sensor may become covered by a fine layer of limescale or detergent and care product residue. These deposits must be removed regularly, otherwise the drying results may not be optimal.

1. Open the door.



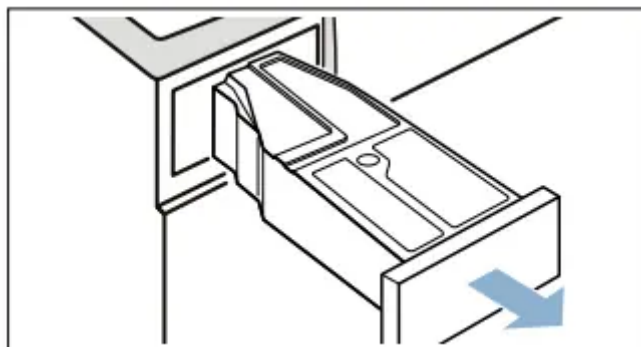
2. Clean the moisture sensor with a rough sponge.



Cleaning the filter in the condensation container

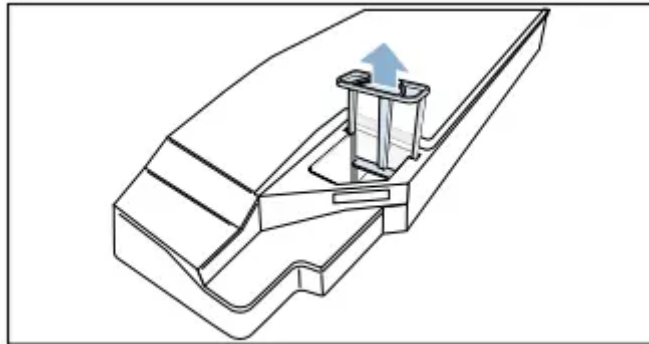
Note: The filter in the condensation container cleans the condensation water, which is used during the appliance's automatic cleaning cycle.

1. Pull out the condensation container horizontally.



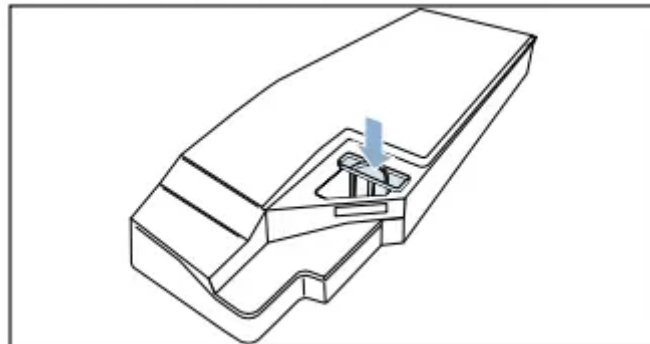
2. Pour out the condensation water.

3. Remove the filter.









4. Clean the filter under warm, running water or in the dishwasher.

5. Push the filter in until you feel it lock into place.





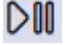
6. Push the condensation container in until you feel it lock into place.

Information on the display

| Faults | Cause/Remedy |
|---|---|
|  on the display and drying has stopped. | <ul style="list-style-type: none"> • Empty the condensation container and reinsert it. Press Start/Pause . • Once you have installed the optional drain hose*, make sure that it: <ul style="list-style-type: none"> Is correctly connected Is free of kinks Is not blocked or clogged, e.g. with deposits |
|  on the display. | <p>Remove the fluff.</p> <p>Press Start/Pause .</p> |
|  on the display. | <p>Not a fault. The heat exchanger is being cleaned automatically. Do not pull out the condensation container while this is displayed.</p> |
| <p>The display goes out and Start/Pause  flashes</p> | <p>Not a fault. Energy saving mode is active.</p> |

Help with the appliance

| Faults | Cause/Remedy |
|--|---|
| Appliance does not start. | Check the mains plug and the fuses. |
| Creasing. | <ul style="list-style-type: none"> • Load exceeded or incorrect programme selected for a type of fabric. All the required information can be found in the programme table. • Remove laundry from the drum as soon as the drying programme has finished. Creasing occurs when clothing is left in the drum. |
| Water is leaking out. | The appliance may be positioned at an angle. Level the appliance. |
| Programme duration displayed changes as drying progresses. | Not a fault. The moisture sensor measures the residual moisture in the laundry and adjusts the programme duration (with the exception of timed programmes). |
| Laundry is not dried properly or is still too damp | <ul style="list-style-type: none"> • After the programme has ended, warm laundry feels damper than it actually is. Spread out the laundry and let it cool down. • Adjust the drying time or increase the degree of dryness. This will extend the drying time but the temperature will remain the same. • Select a timed programme to add extra drying time for laundry that is still damp. • Select a timed programme for a small load. • Do not exceed the maximum load for a programme. • Clean the moisture sensor in the drum. The sensor may become covered in a fine layer of limescale or detergent and care product residue, which then impairs its performance. • Drying has been interrupted as a result of a power cut, because the condensation container is full or because the maximum |

| | |
|---|---|
| | <p>drying time has been exceeded. Note: See also the laundry tips.</p> |
| <p>The programme does not start</p> | <p>Make sure that:</p> <ul style="list-style-type: none"> • The door is closed • The Child lock   push 3 sec has been deactivated • You have pressed Start/Reload  <p>Note: If the programme has been delayed by setting Finished in, the programme starts at a later point.</p> |
| <p>Drying taking too long.</p> | <ul style="list-style-type: none"> • The appliance may have fluff in it. This will increase the drying time. Remove the fluff. • If the air inlet on the appliance is blocked or not fully open, the drying time may increase. Make sure that the air inlet remains unobstructed. • If the ambient temperature is lower than 15 °C or higher than 30 °C, this may increase the drying time. • Inadequate air circulation in the room may increase the drying time. Make sure the room is adequately ventilated. |
| <p>Humidity in the room is increasing.</p> | <p>Make sure the room is sufficiently ventilated.</p> |
| <p>Drying programme is stopped.</p> | <p>If the drying programme is stopped due to a power failure, restart the programme or remove the laundry and spread it out.</p> |
| <p>Unusual noises when drying.</p> | <p>Automatic cleaning of the heat exchanger produces noises. This does not indicate that there is a malfunction on the appliance.</p> |
| <p>The appliance feels cold despite drying.</p> | <p>Not a fault. The appliance can dry effectively at low temperatures using a heat pump.</p> |
| <p>Residual water in the condensation container</p> | |

despite the appliance being connected to the drain hose*.

If the optional drain hose is installed, residual water remains in the condensation container due to the appliance's self-cleaning function.

* Depending on how the appliance is equipped or the available accessory

Note: If you cannot rectify the fault yourself by turning the appliance off and then on again, please contact our after-sales service.

Warning

This content is compiled from multiple sources and is provided for reference purposes only. It may not be complete or fully applicable to all situations. If you are unable to resolve your issue, please contact the product manufacturer or an authorized service provider for official support.

Document generated by [ManualsFile](#)