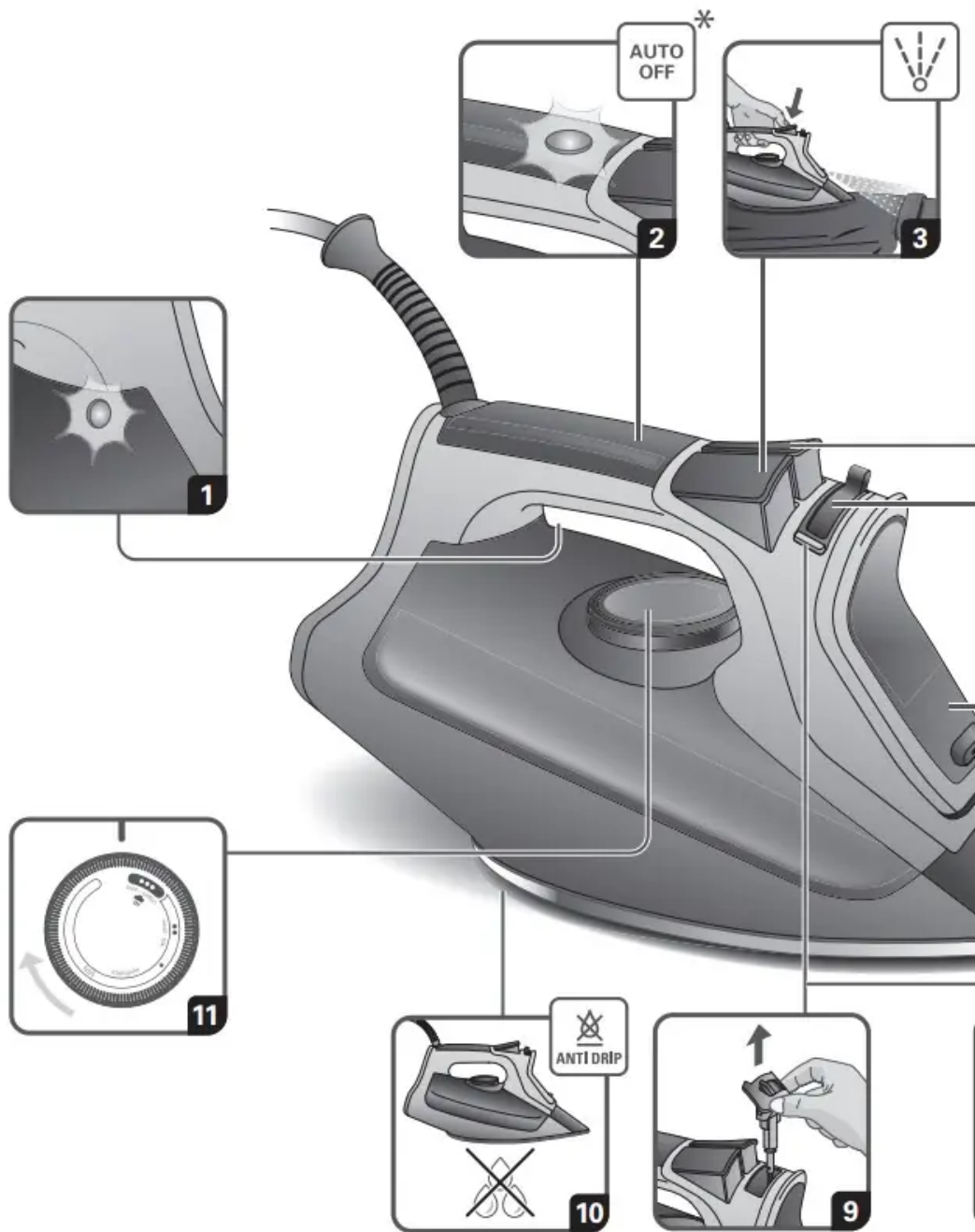
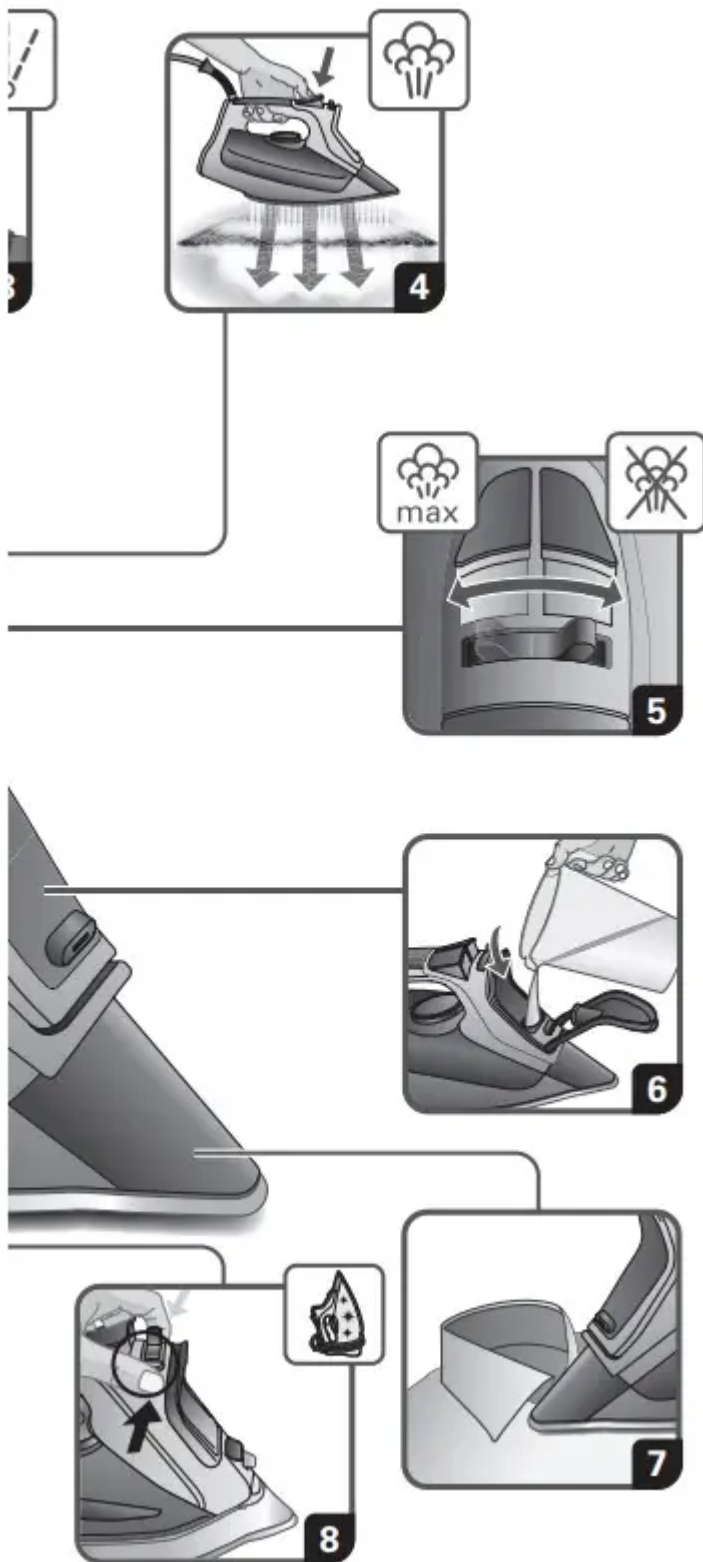


USER MANUAL Iron






PRODUCT DESCRIPTION

1. Thermostat pilot light
2. Auto off indicator light*

3. Burst of steam button
4. Spray button
5. Steam lever
6. Filling inlet
7. Precision tip
8. Self clean
9. Anti calc valve
10. Anti drip
11. Temperature control dial

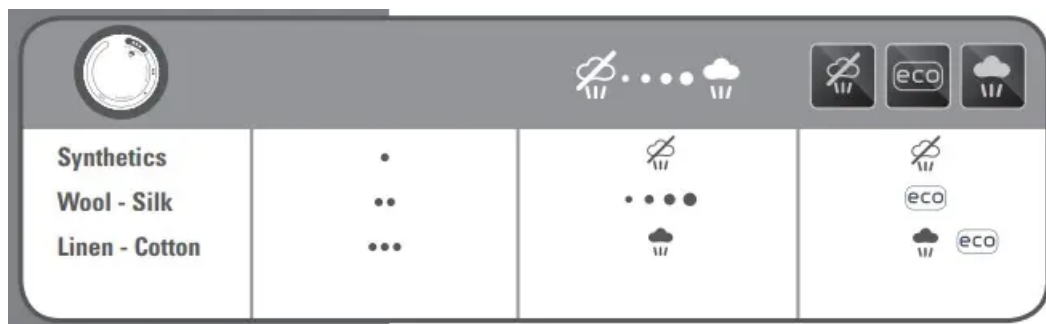
SET UP

	Remove the soleplate cover.
	Set the steam lever on  position.
	Open the filling inlet door (the iron is unplugged).
	Fill in the water tank.
	Stop filling water when MAX level is reached.
	Close the filling inlet door.
	Place the iron on the heel and plug the iron.
	Set the thermostat knob on the desired setting.
	The pilot light is switched on when the iron is heating up.
	Once the pilot light is switched off the iron is ready to be used and steam can be activated.


AUTO OFF

	When plugged, the iron will automatically switch off after: 30 seconds when left on the soleplate or side; 8 minutes when left on its heel.
	When Auto Off function is on the Auto Off indicator light blinks and the iron starts to cool down.
	Move the iron back and forth to reactivate it.
	When Auto Off function is off the Auto Off indicator light stops blinking and the iron heats up again.

SETTING THE TEMPERATURE



DRY IRONING

	Set the steam lever on  position.
--	--

PRECISION SPRAY

	Press the spray button.
--	-------------------------

SHOT OF STEAM

	Set the thermostat knob on MAX position.
	Press the burst of steam button for 1 second.
	Wait for 2 seconds and repeat the operation if necessary.


VERTICAL STEAM

	Set the thermostat knob on MAX position
	Hold the iron vertically and press the shot of steam button for 1 second.
	Wait for 2 seconds before repeating the operation if necessary.
	The iron has to be held 8 inches/20cm away from the garment.
	Do not do vertical steaming on yourself or on others.

SOLEPLATE CLEANING

	Let the iron cool down for 1 hour after unplugging it.
	Once the soleplate has cooled down you can wipe it with a damp cloth or sponge.
	Do not use detergent to clean the soleplate. We recommend the Rowenta soleplate cleaning kit. Do not use sharp or abrasive cleaning accessories to clean the soleplate.
	Do not pour water onto the iron.

IRON STORAGE


	Unplug the iron.
	Switch the steam lever  / STORE or iron may leak if some water remains in the iron.
	Let the iron cool down for 1 hour after unplugging it.
	Empty the water tank over a sink (the iron is unplugged).
	Wrap the cord around the iron's heel and store it in vertical position.
	Do not store the iron in horizontal position.

CLEANING THE ANTI CALC VALVE (every two months)

	We recommend to clean the calc collector every 2 months.
	Unplug the iron.
	Let the iron cool down for 1 hour after unplugging it.
	Empty the water tank over a sink.
	Push the 2 buttons on the left & right side of the valve pin to unlock to a mid position.
	Remove the anti calc valve.
	Soak the anti calc valve in a cup of plain lemon juice or a cup of white vinegar for 4 hours. WARNING: never touch the end of the valve.
	Rinse the anti calc valve under running water.
	Replace the anti calc valve. WARNING: the iron will not function without the anti calc valve.






SELF CLEANING (every 2 weeks)

	We recommend to clean the calc collector every 2 weeks.
	Set the steam lever on  position.
	Fill in the water tank until MAX level is reached.
	Plug the iron.
	Set the thermostat knob on MAX position.
	The pilot light is switched on when the iron is heating up.
	Once the pilot light is switched off the iron is ready to be used.
	Unplug the iron.
	Hold the iron over a sink.
	Push the 2 buttons on the left & right side of the valve pin to release valve pin to the self clean position.
	Keep the valve pin in the raised position.
	Gently shake the iron over the sink for 1 minute.
	Replace the anti calc valve into position.
	Plug the iron.
	Let the iron heat up for 2 minutes to dry the soleplate.
	Unplug the iron.

	Let the iron cool down for 1 hour after unplugging it.
	Once the soleplate has cooled down you can wipe it with a damp cloth or sponge.
	Do not use detergent to clean the soleplate. We recommend the Rowenta soleplate cleaning kit. Do not use sharp or abrasive cleaning accessories to clean the soleplate.

If there is a problem?

PROBLEM	POSSIBLE CAUSE	SOLUTION
Water drips from the holes in the soleplate.	You are using steam while the iron is not hot enough.	Wait until the thermostat light goes out.
	You are using the shot of steam button too often.	Wait a few seconds between each use of the button.
	You have stored the iron horizontally, without emptying it and without setting it to  .	See the section "Iron storage".
Brown streaks come through the holes in the soleplate and stain the linen.	You are using ironing water additives (i.e. scented water, starch).	Never use ironing water additives; these will permanently damage your steam iron.
	You are not using the right type of water.	Perform a Self cleaning operation and consult the chapter "What water to use?".
	Your linen has not been rinsed sufficiently or you have ironed a new garment before washing it.	Make sure that your laundry is rinsed sufficiently in order to remove any deposits of soap or chemical products on new clothes.
The soleplate is dirty or brown and can stain the linen.	You are ironing with an inappropriate temperature selection (temperature too high).	Clean the soleplate (refer to chapter 9). Select the appropriate program.
	You have ironed over a printed area of a garment.	Never iron over printed areas or applications – always iron the reverse side of such a garment.
There is little or no steam.	The water tank is empty.	Fill the water tank.
	Your iron has been used dry for too long.	Carry out a Self clean.
	Valve pin is not correctly in place.	Make sure valve pin is in correct position.
	Thermodial is not set to steaming area.	Set thermodial between 2dot and Max.

PROBLEM	POSSIBLE CAUSE	SOLUTION
The soleplate is scratched or damaged.	You have placed your iron flat on a metallic rest-plate or ironed over a zip.	Refrain from ironing over metallic buttons or zippers.
Steam or water come from the iron as you finish filling the tank.	The steam control is not set to the DRY  position.	Check that the steam control is set to the DRY  position.
	The water tank is overfilled.	Never exceed the Max level
The spray does not spray	The water tank is not filled enough.	Fill up the water tank.

Warning

This content is compiled from multiple sources and is provided for reference purposes only. It may not be complete or fully applicable to all situations. If you are unable to resolve your issue, please contact the product manufacturer or an authorized service provider for official support.