

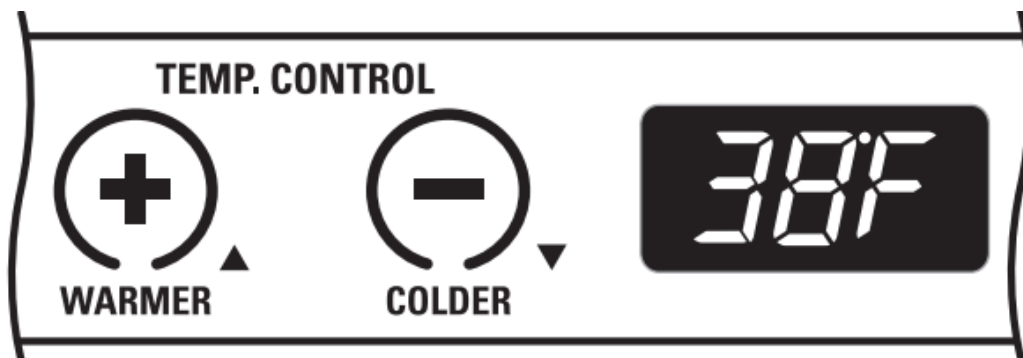
## Controls and Features

### Temperature control

The temperature display shows the actual temperature of the double-drawer refrigerator. The actual temperature may vary slightly from the set temperature based on factors such as drawer opening, amount of food and room temperature.

**To change the temperature setting**, press the WARMER or COLDER pads until you reach the desired set temperature. After 5 seconds, the display will return to the actual temperature.

Allow 12–24 hours for the double-drawer refrigerator to reach the temperature you have set.



### Temperature Settings

- Minimum: 34°F (1.1°C)
- Maximum: 45°F (7.2°C)

### Child control lockout

This child control lockout feature prevents unwanted changes to your temperature settings.

After the desired temperature is set, the temperature can be locked. To lock, press both the + and – pads at the same time for five seconds. To unlock, press both + and – pads for five seconds.

### Unit ON/OFF

This pad stops cooling in the double-drawer refrigerator, turns off the temperature controls and removes power to the light circuit.

Press this pad for a minimum of 3 seconds to turn the double-drawer refrigerator on or off or unplug the unit for long vacations or absences, or when cleaning the unit or changing the light bulb.



## Interior fan

The interior fan located in the rear wall of the double-drawer refrigerator may run for extended periods due to usage and ambient temperature. This is normal. See *Normal operating sounds* in *Problem Solver* section for additional information about the fans. The interior fan will turn off when the drawer is opened.

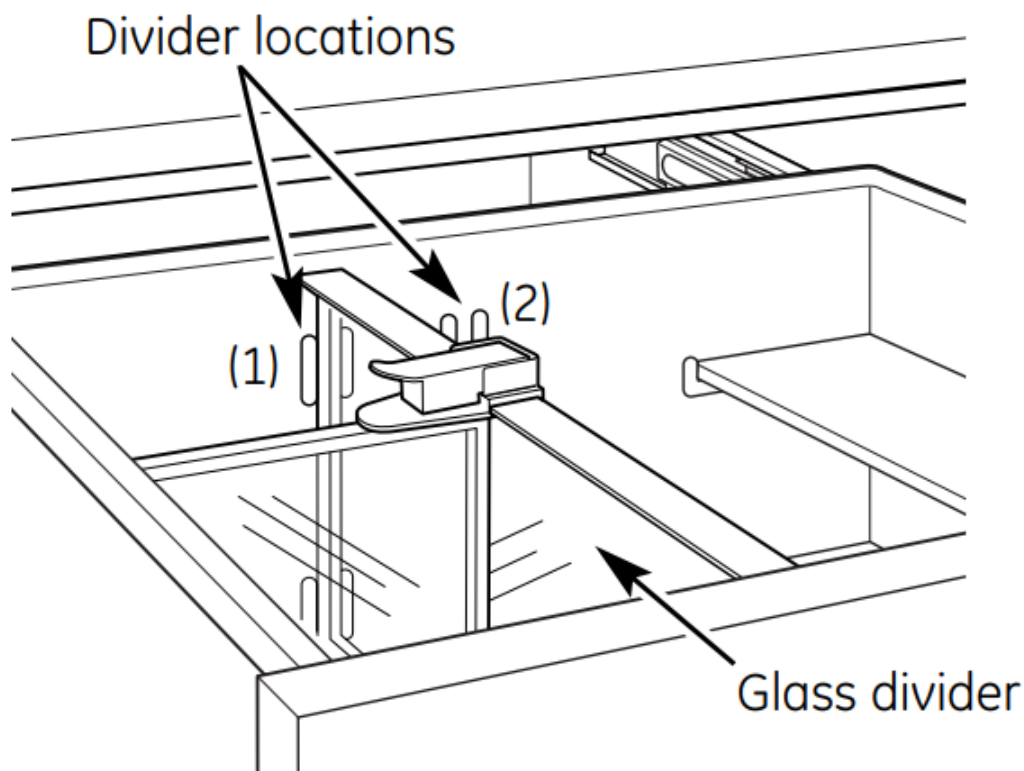
## Glass divider

The top drawer has a moveable, tempered glass divider for separating and organizing foods. The divider can be placed in one of two locations.

**To remove the divider,** lift up until divider clears the rear and front retaining slots.

**To replace the divider,** slide into one of the divider locations.

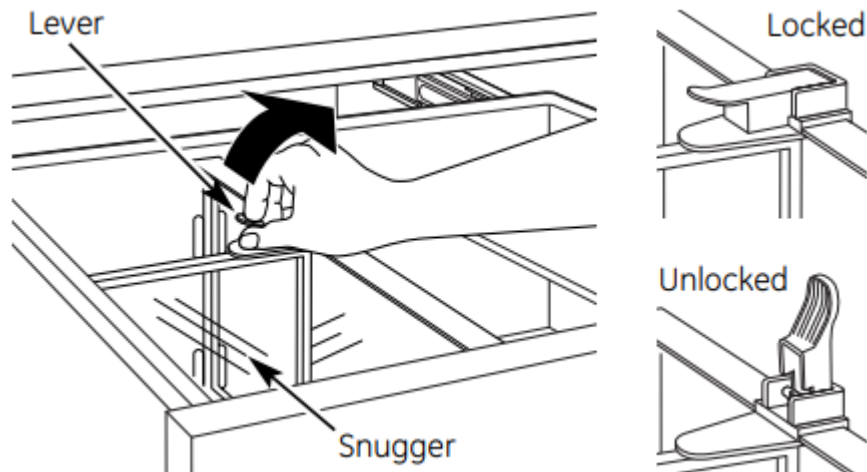
The glass divider is dishwasher safe, top rack only.



## Snugger

The snugger attached to the glass divider helps prevent tipping, spilling or sliding of small items when the top drawer is opened. Lift the lockdown lever near the top of the snugger, then move it to fit your needs. Press the lever down to lock the snugger in place.

The snugger is dishwasher safe, top rack only.

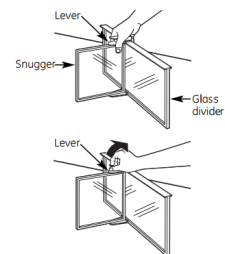


## Assembly instructions

### To remove:

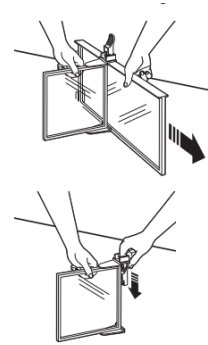
1. Lift the glass divider assembly out of the drawer by grasping the glass divider and snugger where the lever is located. Sit the assembly on a sturdy surface.
2. Lift the lever.
3. Slide the snugger off the glass divider.
4. Remove the lever from the snugger by lifting the lever up and sliding it down and out of the assembly.

**NOTE:** The glass divider, snugger and lever can be cleaned on the top rack of a dishwasher.



**To replace or relocate:**

1. Reassemble lever into snugger by sliding the lever up into place.
2. Slide glass divider into the snugger.
3. The lever must be installed before sliding the divider into the snugger.
4. Put the glass divider assembly in the desired divider location in the top drawer.

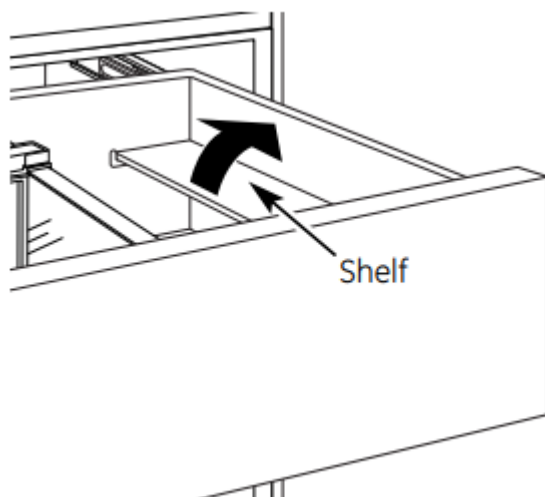


## Shelf

**The top drawer features a shelf** that can fold down for storage of smaller containers, or fold up for storage of larger items on the drawer bottom.

**To fold up the shelf**, lift to the right until it rests in place against the right side.

The shelf is dishwasher safe, top rack only.

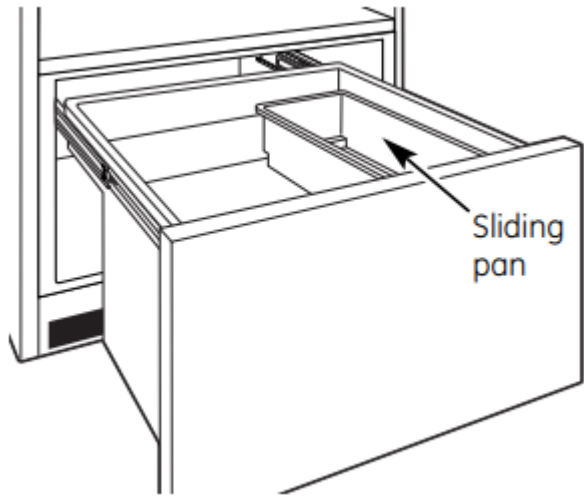


## Food storage pan

**The bottom drawer offers a pan** for storage of smaller items. The pan slides easily to allow storage of and access to larger items in the drawer below.

The pan can be removed, allowing you to carry food to the countertop for preparation or to allow storage space for large food items.

The food storage pan is dishwasher safe, top rack only.



### **Drawer lights**

**The brilliant full-width LED lighting** in either drawer illuminates when the drawer is opened.

## Care and Cleaning

<p><i>For your safety</i></p>	<p><b>Turn the double-drawer refrigerator OFF or unplug the unit before cleaning.</b></p> <p>Turn the double-drawer refrigerator OFF by pressing the button on the control panel a minimum of 3 seconds until the light turns off.</p>
<p><i>Drawer gasket</i></p>	<p>The vinyl gasket may be cleaned with mild soap and water, or a baking soda solution. Rinse well.</p>
<p><i>In the event of a power failure</i></p>	<p><b>If the power fails</b>, open the drawer as infrequently as possible to maintain the temperature.</p> <p><b>Do not store or use gasoline or other flammable vapors and liquids in the vicinity of this or any other appliance.</b></p>
<p><i>Preparing for vacation</i></p>	<p><b>For long vacations or absences</b>, remove food and turn the double-drawer refrigerator OFF. Clean the interior (see <i>Cleaning the Inside</i> section)</p> <p><b>For shorter vacations</b>, remove perishable foods and leave controls at regular settings. However, if the room temperature is expected to drop below 55°F (13°C), follow the same instructions as for long vacations.</p>
<p><i>Preparing to move</i></p>	<p><b>Secure all loose items</b> such as the shelf, divider and snugger by taping them securely in place to prevent damage.</p> <p><b>IMPORTANT: Be sure the double-drawer refrigerator stays in an upright position during moving.</b></p>
<p><i>For your safety</i></p>	<p><b>Turn the double-drawer refrigerator OFF or unplug the unit before cleaning.</b></p> <p>Turn the double-drawer refrigerator OFF by pressing the button on the control panel a minimum of 3 seconds until the light turns off.</p>
<p><i>Cleaning the outside</i></p>	<p><b>Drawer handles and trim</b>—Clean with a cloth dampened with soapy water. Dry with a soft cloth.</p> <p><b>Keep the outside clean.</b> Wipe with a clean cloth lightly dampened with mild liquid dish detergent. Dry with a clean, soft cloth.</p>



	<p>Do not wipe the refrigerator with a soiled dish cloth or wet towel. These may leave a residue that can damage the finish.</p> <p>Do not use scouring pads, powdered cleaners, bleach or cleaners containing bleach because these products can scratch and damage the finish.</p> <p><b>Stainless Steel</b>—Regularly clean and polish the stainless steel exterior and handle with a commercially available stainless steel cleaner such as Stainless Steel Magic™</p> <p>to preserve and protect the fine finish. Stainless Steel magic is available through GE Parts and Accessories, 800.626.2002 or monogram.com. Order part number WX10X15.</p> <p><b>To avoid scratching the fine finish of the stainless steel, wipe in the same direction as the grain when polishing or cleaning any stainless steel surface. The grain on the double-drawer refrigerator runs top to bottom.</b></p> <p><b>Do not use appliance wax or polish on the stainless steel.</b></p>
<p><i>Cleaning the inside</i></p>	<p><b>Unplug the double-drawer refrigerator before cleaning. If this is not practical, turn the unit OFF and wring excess moisture out of the cloth or sponge</b> when cleaning around switches, lights or controls.</p> <p>Use warm water and baking soda solution— about a tablespoon (15 ml) of baking soda to a quart (1 liter) of water. This both cleans and neutralizes odors. Thoroughly rinse and wipe dry.</p>
	<p><b>Other parts of the double-drawer refrigerator</b>—including the drawer gaskets, divider, snugger, shelf and sliding pan—can be cleaned the same way.</p> <p>The glass divider, snugger, lever, shelf and food storage pan are dishwasher safe, top rack only.</p> <p><b>Avoid cleaning cold glass divider and snugger with hot water because the extreme temperature difference may cause them to break. Handle glass shelves carefully. Rough handling of tempered glass can cause it to shatter.</b></p>



## Troubleshooting Tips

### Normal operating sounds.

#### HUMMM...WHOOSH...

- The new high efficiency compressor may run faster and longer than your old refrigerator and you may hear a high-pitched hum or pulsating sound while it is operating.
- Sometimes the refrigerator runs for an extended period, especially when the doors are opened frequently. This means that the Frost Guard™ feature is working to prevent freezer burn and improve food preservation.
- You may hear a whooshing sound when the doors close. This is due to pressure equalizing within the refrigerator.

**WHIR!**



- You may hear the fans spinning at high speeds. This happens when the refrigerator is first plugged in, when the doors are opened frequently or when a large amount of food is added to the refrigerator or freezer compartments. The fans are helping to maintain the correct temperatures.
- If either door is open for over 3 minutes, you may hear the fans come on in order to cool the light bulbs.
- The fans change speeds in order to provide optimal cooling and energy savings.

#### CLICKS, POPS, CRACKS and SNAPS

- You may hear cracking or popping sounds when the refrigerator is first plugged in. This happens as the refrigerator cools to the correct temperature.
- Electronic dampers click open and closed to provide optimal cooling and energy savings.
- The compressor may cause a clicking or chirping sound when attempting to restart (this could take up to 5 minutes).
- The electronic control board may cause a clicking sound when relays activate to control refrigerator components.
- Expansion and contraction of cooling coils during and after defrost can cause a cracking or popping sound.
- On models with an icemaker, after an icemaking cycle, you may hear the ice cubes dropping into the ice bucket.

## WATER SOUNDS

- The flow of refrigerant through the freezer cooling coils may make a gurgling noise like boiling water.
- Water dropping on the defrost heater can cause a sizzling, popping or buzzing sound during the defrost cycle.
- A water dripping noise may occur during the defrost cycle as ice melts from the evaporator and flows into the drain pan.
- Closing the door may cause a gurgling sound due to pressure equalization.

## Problem solvers

PROBLEM	POSSIBLE CAUSE
APPLIANCE DOES NOT OPERATE	<ul style="list-style-type: none"> <li>• Appliance is so quiet that most of the time you will hear low or no operating noise.</li> <li>• Appliance may be in defrost cycle when compressor motor does not operate for about 30 minutes.</li> <li>• Controls are set to OFF. Press ON/OFF button on control panel for a minimum of 3 seconds.</li> <li>• If interior light is not on, appliance may not be plugged in at wall outlet. Push the plug completely into the wall outlet.</li> <li>• The fuse is blown/circuit breaker is tripped. Replace fuse or reset the breaker.</li> <li>• The appliance is in showroom mode. Unplug it and plug it back in.</li> </ul>
VIBRATION OR RATTLING (Slight vibration is normal.)	<ul style="list-style-type: none"> <li>• Adjust the leveling legs as shown in the Installation Instructions.</li> </ul>
COMPRESSOR MOTOR OPERATES FOR LONG PERIODS OR CYCLES ON AND OFF FREQUENTLY	<ul style="list-style-type: none"> <li>• Normal when appliance is first plugged in. Wait 24 hours for the appliance to completely cool down.</li> <li>• Often occurs when large amounts of food are placed in appliance. This is normal.</li> <li>• Drawer left open or package holding drawer open.</li> <li>• Hot weather or frequent drawer openings. This is normal.</li> <li>• Temperature control set at the coldest setting. See Temperature Control.</li> </ul>
FRESH FOOD OR FREEZER COMPARTMENT TOO WARM	<ul style="list-style-type: none"> <li>• Temperature control not set cold enough. See Temperature Control.</li> <li>• Warm weather or frequent drawer openings.</li> <li>• Drawer left open for long time.</li> <li>• Package may be holding drawer open.</li> </ul>
FROST OR ICE CRYSTALS ON REAR WALL	<ul style="list-style-type: none"> <li>• Too frequent or too long drawer openings.</li> </ul>



PROBLEM	POSSIBLE CAUSE
APPLIANCE HAS ODOR	<ul style="list-style-type: none"> <li>• Interior needs cleaning. See Care and Cleaning.</li> <li>• Keep open box of baking soda in appliance; replace every 3 months.</li> </ul>
DRAWER NOT CLOSING PROPERLY	<ul style="list-style-type: none"> <li>• Drawer gasket is sticking or folding over. Apply petroleum jelly or paraffin wax to the face of the gasket.</li> <li>• The drawer is hitting an internal component inside the appliance. Adjust interior components to prevent interference.</li> </ul>
MOISTURE FORMS ON OUTSIDE OF APPLIANCE	<ul style="list-style-type: none"> <li>• Not unusual during periods of high humidity. Wipe surface dry.</li> <li>• Drawer left open or package holding drawer open.</li> </ul>
MOISTURE COLLECTS INSIDE	<ul style="list-style-type: none"> <li>• Too frequent or too long drawer openings.</li> <li>• In humid weather, air carries moisture into appliance when drawers are opened.</li> </ul>
INTERIOR LIGHT DOES NOT WORK	<ul style="list-style-type: none"> <li>• No power at outlet.</li> <li>• Light needs replacing. Call GE Consumer Service at 1.800.444.1845 for light replacement.</li> </ul>
HOT AIR FROM BOTTOM OF APPLIANCE	<ul style="list-style-type: none"> <li>• Normal air flow cooling motor. In the refrigeration process, it is normal that heat be expelled in the area under the appliance. Some floor coverings are sensitive and will discolor at these safe and normal temperatures.</li> </ul>
APPLIANCE NEVER SHUTS OFF BUT TEMPERATURES ARE OK	<ul style="list-style-type: none"> <li>• Adaptive defrost keeps compressor running during drawer openings. This is normal. The appliance will cycle off after the drawer remains closed for 2 hours.</li> <li>• Normal operation in extreme temperatures.</li> </ul>
ACTUAL TEMPERATURE NOT EQUAL TO SET TEMPERATURE	<ul style="list-style-type: none"> <li>• Unit just plugged in. Allow 24 hours for the system to stabilize.</li> <li>• Drawer open for too long. Allow 24 hours for the system to stabilize.</li> <li>• Warm contents added to appliance. Allow 24 hours for the system to stabilize.</li> </ul>



PROBLEM	POSSIBLE CAUSE
	<ul style="list-style-type: none"><li>• Defrost cycle is in process. Allow 24 hours for the system to stabilize.</li></ul>
TEMPERATURE WILL NOT ADJUST	<ul style="list-style-type: none"><li>• Temperature may be in lockout mode. Press both + and – pads for 5 seconds to unlock the temperature.</li></ul>

### Warning

This content is compiled from multiple sources and is provided for reference purposes only. It may not be complete or fully applicable to all situations. If you are unable to resolve your issue, please contact the product manufacturer or an authorized service provider for official support.

