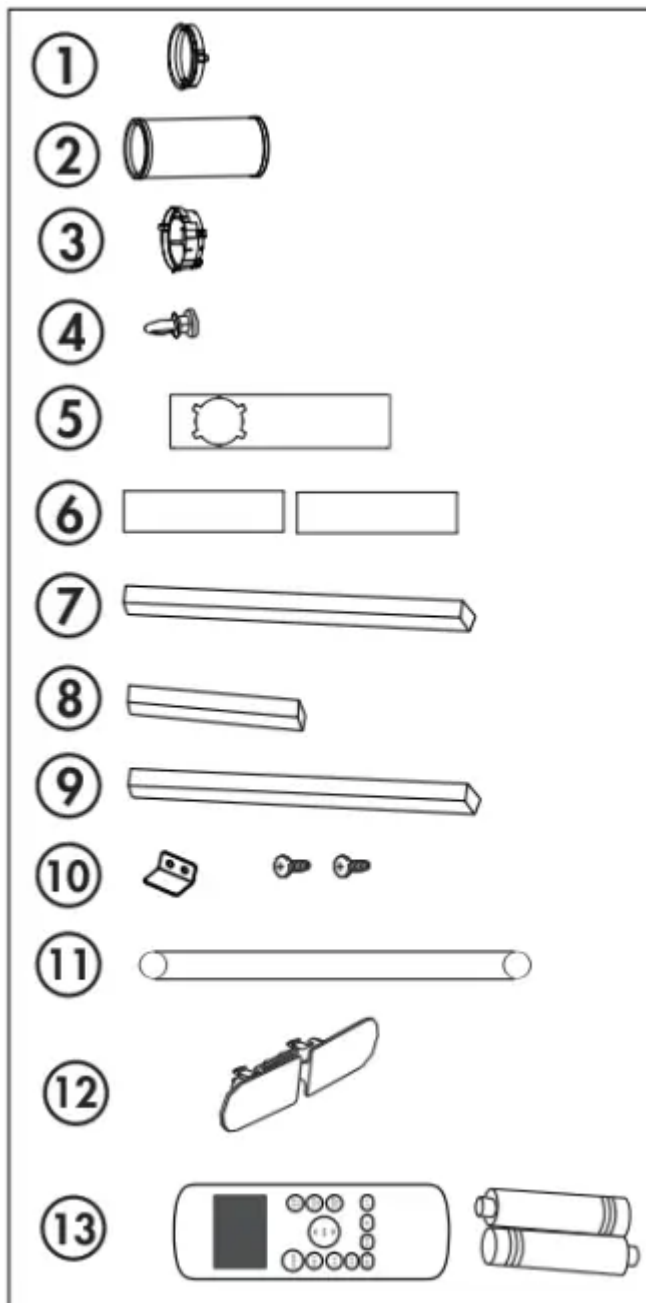


INSTALLATION INSTRUCTIONS

ACCESSORIES

1. Air outlet adapter
2. Exhaust hose
3. Window slider adapter
4. Bolts
5. Window slider A
6. Window slider B and C
7. Foam seal A (adhesive)
8. Foam seal B (adhesive)
9. Foam seal C (non-adhesive)
10. Security bracket and 2 screws
11. Drain hose
12. Power cord storage band
13. Remote control and batteries





REQUIRED TOOLS

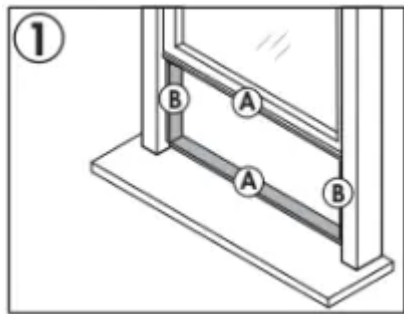
1. Medium sized Phillips screwdriver
2. Tape measure or ruler
3. Knife or scissors
4. Saw (in the event that the window sliders need to be cut to size)

INSTALLING THE WINDOW KIT

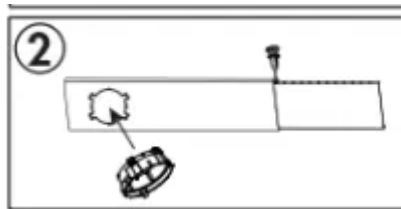
The instructions below can be used for either a hung window or a sliding window application.

1. Measure the window opening where the window kit will be installed. Assemble as many sliders as necessary to fit the window. If the window opening is less than the minimum length

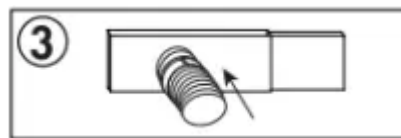
of a single slider, use the slider that has the hole in it and cut it to the correct length. Make sure not to cut the end that has the hole as this is necessary to attach the exhaust hose adapter. Cut the adhesive foam seals to the correct length for the window and attach them to the window sash and frame.



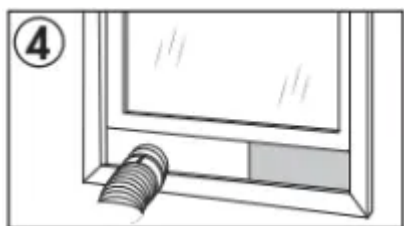
2. Connect the window slider adapter to the window slider by gently pressing it into the hole in the slider until it clicks into place.



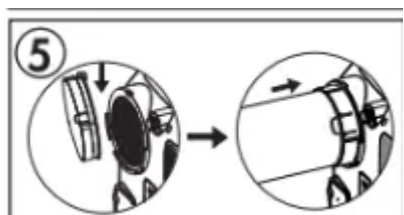
3. Attach the exhaust hose to the window slider adapter by gently pressing it into the adapter until it clicks into place.



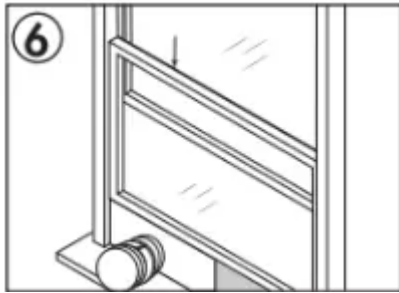
4. Install the slider kit and hose assembly and close the window to hold it in place.



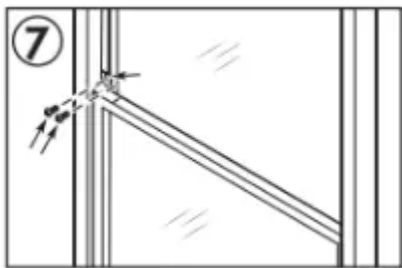
5. Attach the air outlet adapter to the back of the appliance by sliding it down into the channel around the air outlet. Attach the hose to the air outlet adapter on the back of the appliance by gently pressing it into the adapter until it clicks into place.



6. Cut the non-adhesive foam seal to match the width of the window and insert it between the glass and the window frame to prevent air and insects from getting into the room.



7. Install the security bracket in the window frame with the provided screws.



Note: Do not over extend or bend the hose as this will impede air flow.

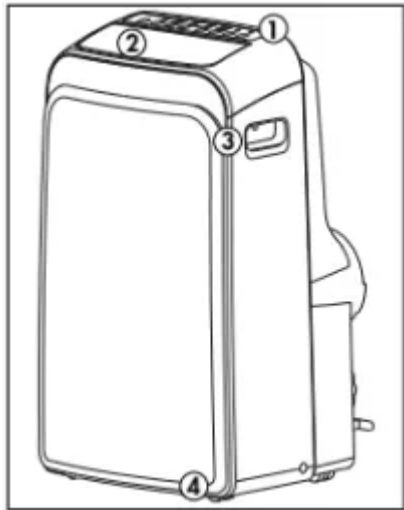


OPERATING INSTRUCTIONS

FEATURES

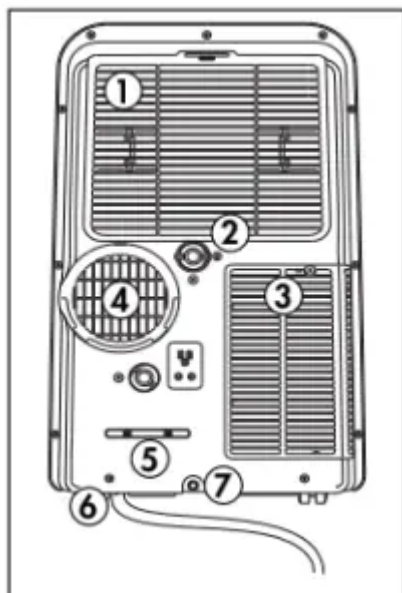
Front

1. Control panel
2. Louver
3. Handle (both sides)
4. Casters



Rear

1. Upper air filter and air intake
2. Continuous drain outlet
3. Lower air filter and air intake
4. Air outlet
5. Power cord storage band
6. Power cord
7. Overflow tray drain outlet



LOCATION

Place the air conditioner on a smooth, level floor that is strong enough to support it and all included accessories.

Make sure the appliance is level to minimize noise and vibration.

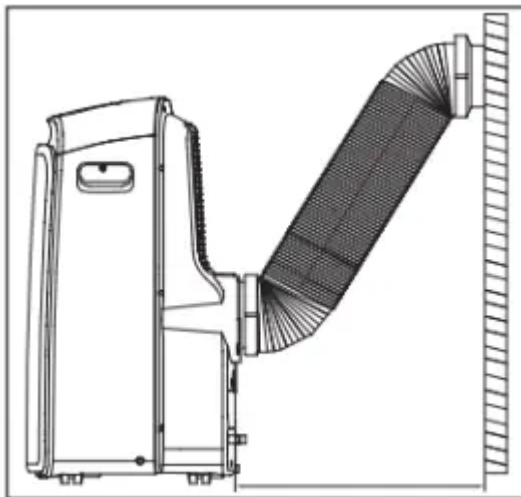
The appliance must be installed near a grounded receptacle and the overflow drain outlet on the rear of the appliance must be accessible.

Do not cover air inlets or outlets or the remote control receiver on the control panel.

The appliance requires 30 cm (12 inches) of clearance on the front and sides.



The appliance requires at least 50 cm (20 inches) of clearance on the back.



CONTROL PANEL

1. Swing button: Press to start the auto swing feature. When auto swing is activated, press again to stop the louver at the desired angle.

2. Timer button: Press to start the automatic timer. Light will indicate whether a timer is set.

3. Mode button: Press to select the desired mode. Modes will cycle in sequence with each press of the button; auto, cool, dry, fan. Light will indicate current mode.

4. Up and down buttons:

- Used to set the temperature.

- Press and hold both up and down buttons for three seconds to change the temperature display from °C to °F.

5. LED display:

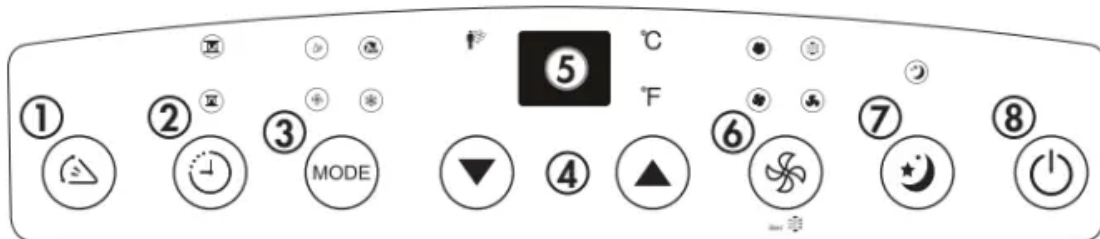
- Shows the set temperature in °C or °F.
- Shows the timer settings.
- While on dry or fan mode, shows the room temperature.

6. Fan and ionizer button:

- Press to select fan speed; low, medium or high.
- Light will indicate current speed.
- Press and hold for three seconds to start the ionizer.

7. **Sleep button:** Press to start the sleep feature.

8. **Power button:** Press to turn the appliance on or off.



Operating Modes

• Cool Mode

Choose cool mode to set the cooling function. Use the up and down buttons to choose the desired temperature. When cool mode is selected, the fan speed can be adjusted by pressing the fan button.

The temperature can be set within a range of 17 - 30°C (62 - 86°F).

The exhaust hose should be installed during cool mode to ensure the best results.

• Dry Mode

Choose dry Mode to remove excess moisture from the air during periods of high humidity. All water pulled from the air will condense inside the appliance and drain out the back.

The humidity can be adjusted in 5% increments between 35% and 85%.

The fan speed will be automatically set and cannot be modified in dry Mode.

• Fan Mode

Choose fan mode to run the internal fan without engaging the cooling function. Press the fan button repeatedly to choose the fan speed.

- **Auto Mode**

Auto mode is a pre-set factory program that automatically defines the mode (cool or dry) and fan speed based on the set temperature, the ambient temperature and the ambient humidity.

Automatic Timer Feature

To set the automatic off timer:

- Ensure the appliance is turned on
- Press the timer button and the indicator light will illuminate
- Press the timer button to select the desired amount of hours before the appliance turns off

To set the automatic on timer:

- Ensure the appliance is turned off
- Press the timer button and the indicator light will illuminate
- Press the timer button to select the desired amount of hours before the appliance turns on

Notes:

- The timer button will increase the time in 0.5 hour increments up to 10 hours and then in 1 hour increments up to 24 hours
- The display will revert back to showing the previous temperature setting if the appliance does not receive a signal within a 5 second period during programming
- Turning the appliance on or off at any time or adjusting the timer setting to 0.0 hours will cancel the timer settings

Using Timer On and Off Simultaneously

If there is a need for the appliance to turn on, run for a set period of time and then turn off, the on and off timers can be used at the same time by first setting one and then the other. Both indicator lights will illuminate and the display will count down to the appliance either turning off or on, whichever function was set first.

Note: The timer will not cycle the appliance on and off indefinitely. The on and off timers will function one time and then the appliance will return to regular functioning.

Ionizer Feature

The ionizer feature is a form of air purification that negatively charges the air. Dust particles, pollen and other particles in the air cannot pass through the filter when they are negatively

charged. This ensures that the maximum amount of dust and dirt are removed from the air. Additionally, the ionizer helps to remove unwanted odors from the air.

Sleep Feature

The sleep feature can be used to conserve energy during sleeping hours.

When selected, the set temperature will increase by 2 degrees over a 2 hour period. The appliance will hold the new set temperature for 7 hours before automatically returning to normal operation.

The sleep feature can be canceled at any time by pressing the sleep button.

Follow Me Feature

There is a temperature sensor built into the remote control that will continuously collect the current room temperature. Keep the remote control with you and the appliance will automatically adjust the set temperature based on the current temperature where you are located to reach the most comfortable condition and temperature.

Press the follow me button to activate. The remote will display the current temperature at its location.

The remote will send a signal to the air conditioner every 3 minutes, so long as you remain within range of the appliance.

The follow me light on the control panel of the appliance will illuminate for 5 seconds every three minutes to indicate that it has received a signal from the remote. If the appliance does not receive a signal from the remote during any 7 minute interval, it will beep to indicate that the follow me feature has ended.

The maximum distance for the follow me feature is 8 meters (26 feet). This feature is available in cool and auto modes.

REMOTE CONTROL

- 1. Power button:** Press to turn the appliance on or off.
- 2. Mode button:** Press to select the desired mode.
- 3. Fan button:** Press to select fan speed.
- 4. Ionizer button:** Press to activate the ionizer.
- 5. Sleep button:** Press to start the sleep feature.
- 6. Swing button:** Press to start the auto swing feature. When auto swing is activated, press again to stop the louver at the desired angle.
- 7. Follow me button:** Press to activate the follow me feature.

8. LED button: Press to turn the LED display on or off.

9. Timer off button: Press to set the automatic off timer.

10. Timer on button: Press to set the automatic on timer.

11. Shortcut button: Press to set and activate the short cut function.

12. Up and down buttons:

- Used to set the temperature.
- Press and hold both up and down buttons for 3 seconds to change the temperature display from °C to °F.

13. LED display:

- Shows the set temperature in °C or °F or the auto-timer settings.
- While on dry or fan mode, shows the room temperature.



Shortcut function (only available on remote):

- Used to save a favourite setting.
- Set the appliance to the temperature and fan speed that you would like to set as a favourite.
- Press and hold the shortcut button for 2 seconds.
- Press the shortcut button at any point in future to return to the favourite setting.
- If no favourite is set, pressing the shortcut button will cause the appliance to run in auto mode at 29°C (79°F), with fan speed set to auto.

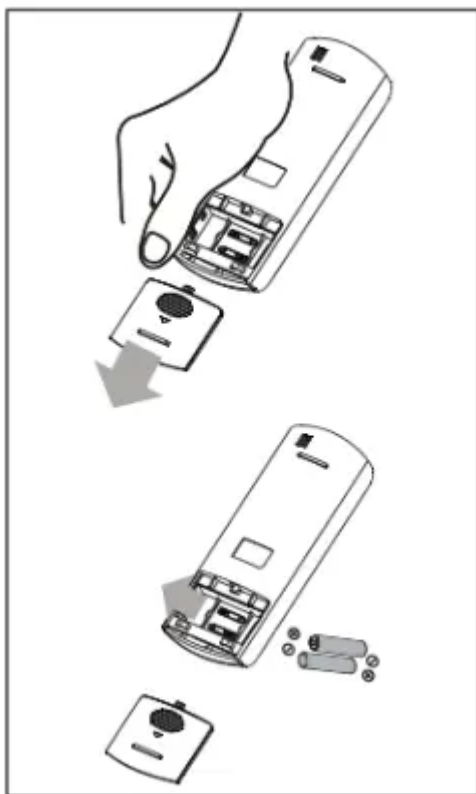
REPLACING THE REMOTE BATTERIES

This air conditioner comes with two AAA batteries. Place the batteries in the remote control before use.

1. Slide the back cover from the remote downward to expose the battery compartment.
2. Insert the batteries, ensure to match the (+) and symbols on the ends of the batteries with the symbols inside the battery compartment.
3. Slide the battery cover back into place.

Notes:

- The air conditioner will not respond if curtains, doors or other materials block the signal from the remote control to the unit.
- Prevent any liquid from contact with the remote control. Do not expose the remote control to direct sunlight or heat.
- If the infrared signal receiver on the indoor unit is exposed to direct sunlight, the air conditioner may not function properly. Use curtains to prevent the sunlight from falling on the receiver.
- Do not mix old and new batteries or batteries of different types.
- Do not leave the batteries in the remote control if it is not going to be used for more than 2 months.



This equipment has been tested and found to comply with the limits for a Class B digital device, pursuant to Part 15 of the FCC Rules. These limits are designed to provide reasonable protection against harmful interference in a residential installation. This equipment generates, uses and can radiate radio frequency energy and, if not installed and used in accordance with the instructions, may cause harmful interference to radio communications. However, there is no guarantee that interference will not occur in a particular installation.

If this equipment does cause harmful interference to radio or television reception, which can be determined by turning the equipment off and on, the user is encouraged to try to correct the interference by one or more of the following measures:

1. Reorient or relocate the receiving antenna
2. Increase the separation between the equipment and receiver
3. Connect the equipment into an outlet on a circuit different from that to which the receiver is connected
4. Consult the dealer or an experienced radio/TV technician for help

Changes or modifications not approved by the party responsible for FCC compliance could void the user's authority to operate the equipment. This appliance complies with Part 15 of the FCC Rules.

Operation is subject to the following conditions:

1. This device may not cause harmful interference.

2. This device must accept any interference received, including interference that may cause undesired operation.

This device complies with Canadian CAN ICES-3 (B) / NMB-3 (B)

IMPORTANT: Do not dispose of batteries as unsorted municipal waste. Refer to local laws for proper disposal of batteries.

CARE & MAINTENANCE

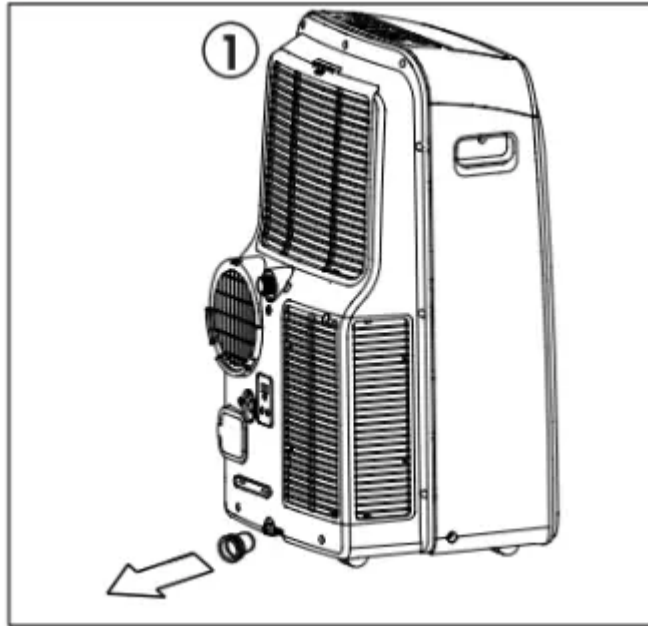
WATER DRAINAGE

When the internal drain pan becomes full the appliance will beep 8 times and the digital display will show error code P1. The air conditioning or dehumidifying action will stop but the fan may continue to operate.

There are two methods to drain water from the appliance.

1. Drain Plug

1. Turn the appliance off and unplug it from the power source.
2. Carefully move the appliance to a location where the water can be drained.
3. Remove the drain plug and allow the water to completely drain.
4. Replace the bottom drain plug, pressing firmly to ensure a tight fit and no leaks.
5. The P1 error symbol will disappear and the appliance will resume regular function once power is restored.



2. Continuous Drain

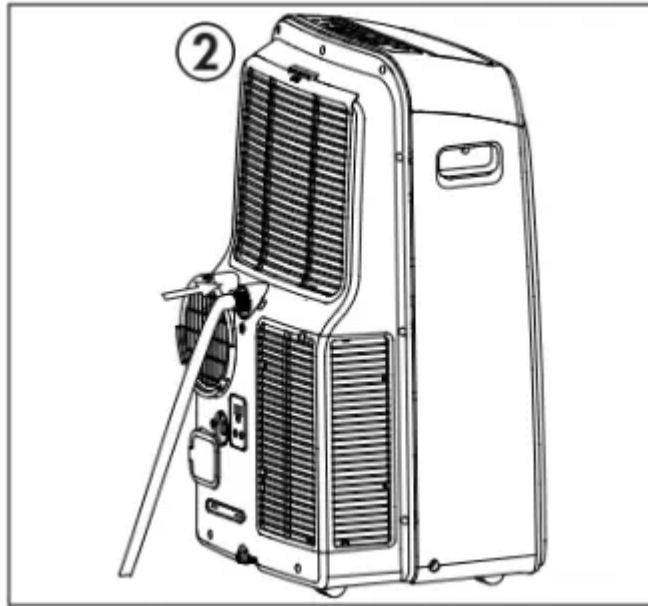
During the Dry mode, you may wish to set up the continuous drain option so that the appliance will automatically drain collected water.

Remove the exhaust hose during Dry mode, it is not necessary. Ensure that the appliance is turned off and unplugged from the power source before setting up the drain hose.

Remove the upper drain plug and attach the drain hose that was provided with the appliance. Ensure that there are no kinks or bends in the drain hose as this can stop water from draining.

Place the open end of the drain hose over the receptacle that the appliance will drain into; this could be a basement floor drain, a sink or similar.

Remember that there is no drain pump in this appliance, the continuous drain is activated by gravity only. Ensure that the drain hose goes straight down toward the floor from the drain connection. If the hose is not positioned directly downwards, water will not drain correctly.



CLEANING

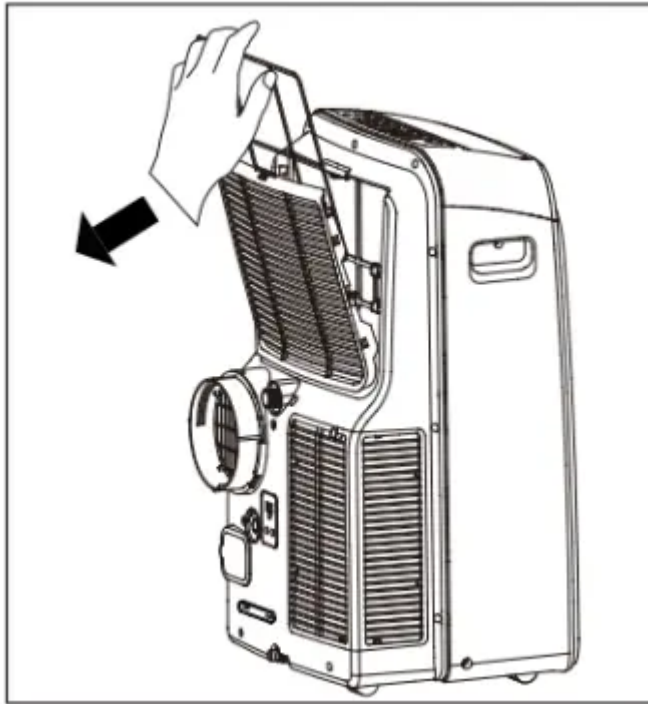
- Unplug the appliance before cleaning or servicing.
- Clean the cabinet with a lukewarm damp cloth and neutral detergent. Dry the cabinet with a lint-free dry cloth.
- Do not use gasoline, paint thinner or other chemicals to clean the appliance.
- Do not wash the appliance directly under a tap or using a hose. It may cause electrical damage.

AIR FILTER

The air filter in this appliance should be cleaned every two weeks to ensure efficient performance.

In households with animals, the air filters may need to be cleaned more often and the external grills may need to be wiped to prevent blocked airflow.

Do not operate this appliance without the air filter installed.



LONG-TERM STORAGE

1. Drain all water from the appliance.
2. Run the appliance on Fan mode for half a day in a warm room to dry the inside of the appliance and prevent mold formation.
3. Turn off the appliance and unplug it, wrap the cord and bundle it with tape.
4. Remove the batteries from the remote control.
5. Clean the air filters and reinstall them.
6. Store the appliance in a cool, dark place. Prolonged exposure to direct sunlight or extreme heat can shorten the lifespan of the appliance.

DISPOSAL

This appliance should not be treated as regular household waste. Check for local regulatory compliance regarding the approved and safe disposal of this appliance.

ERROR CODES

E1 - room temperature sensor error

E2 - evaporator temperature sensor error

E3 - condenser temperature sensor error

E4 - display panel communication error

E7 - zero crossing malfunction

P1 - water tray is full - attach drain hose and drain excess water

TROUBLESHOOTING

Danby Consumer Care: 1-800-263-2629

Hours of operation:

Monday to Thursday 8:30 am - 6:00 pm Eastern Standard Time

Friday 8:30 am - 4:00 pm Eastern Standard Time

Information in this manual is subject to change without notice.

Appliance will not operate

- Plug is not fully inserted into the wall outlet
- Blown fuse or circuit breaker

Insufficient cooling

- Airfilters are dirty
- Blocked airflow
- Appliance size is too small for application

Noise

- The ground is not level
- Airfilters are dirty
- Gurgling sounds are normal; this is the refrigerant moving inside the appliance

Odors

- Formation of mold or mildew on internal wet surfaces
- Place an algaecide tablet in base pan;

Warning

This content is compiled from multiple sources and is provided for reference purposes only. It may not be complete or fully applicable to all situations. If you are unable to resolve your issue, please contact the product manufacturer or an authorized service provider for official support.