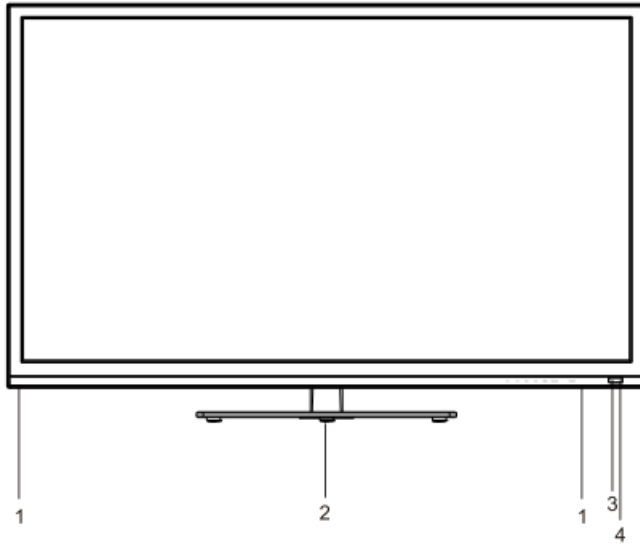
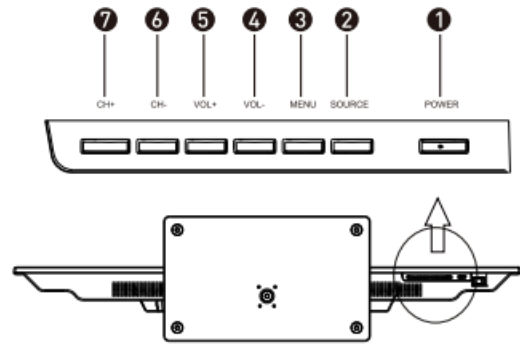


Location of Controls

Front View



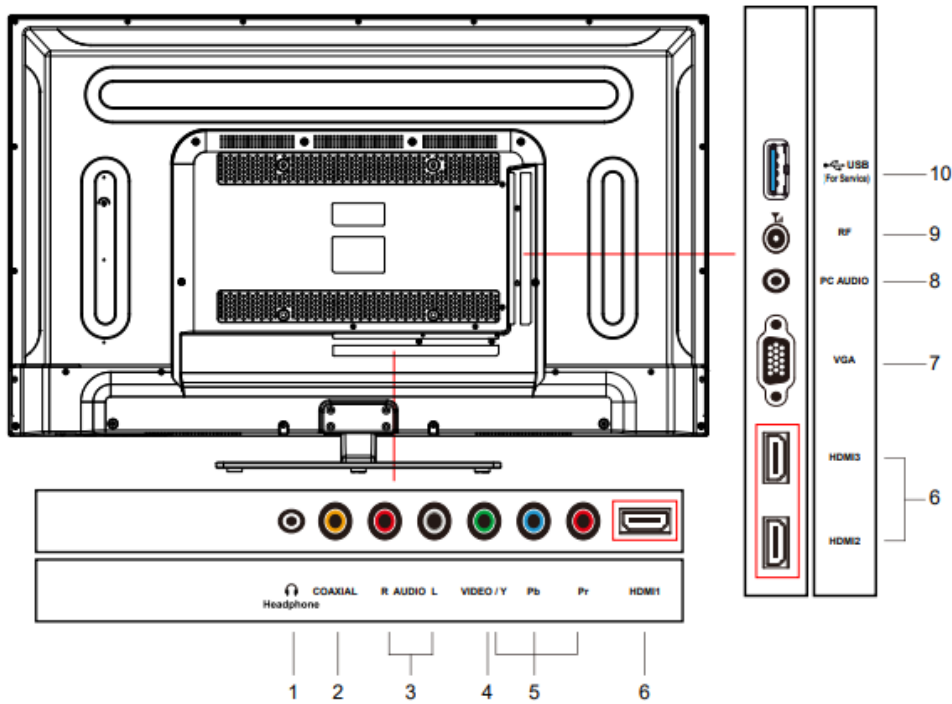
- 1. Speaker
- 2. Stand base
- 3. Power indicator
- 4. Remote Sensor



- 1. POWER button
- 2. SOURCE button
- 3. MENU button
- 4. VOL- button
- 5. VOL+ button
- 6. CH- button
- 7. CH+ button

Rear View

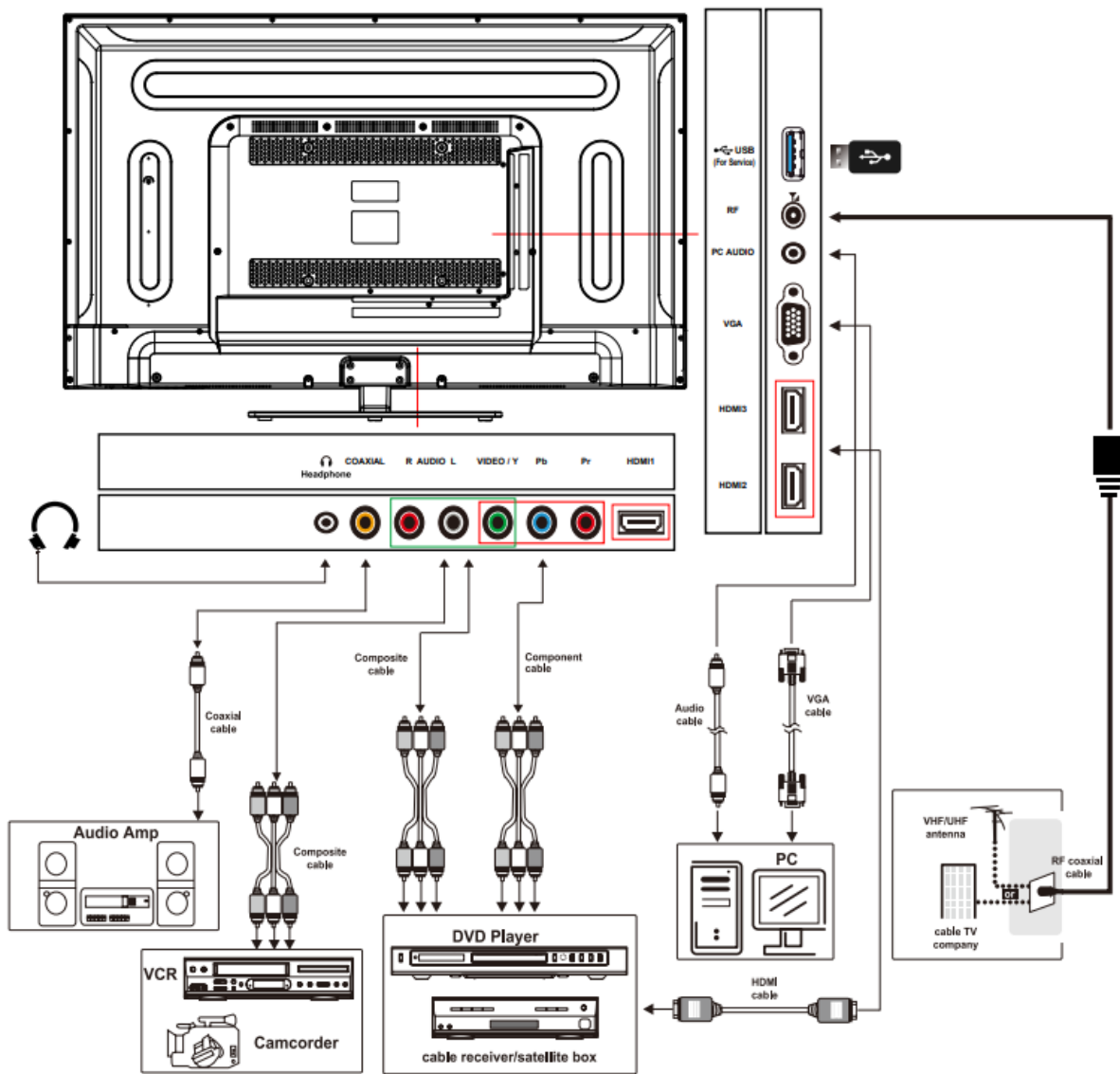




- | | | | |
|-------------------|--------------------|--------------------------|--------------------------|
| 1. Headphone Jack | 4. VIDEO Jack | 7. VGA Input | 10. USB
(For Service) |
| 2. COAXIAL Output | 5. Component Input | 8. PC Input | |
| 3. Rear AV Input | 6. HDMI Input | 9. 75 ohm Antenna Socket | |

You can enjoy picture, sound and a PC monitor by connecting a DVD player, video game system or computer to the inputs located on the rear of the LED TV set.

- For the cable, use a commercially available audio/video cable.
- For more information about external device connections, see the operation manuals of your external devices.
- Make sure that the corresponding cables are connected to each input. Connecting other cables may result in a malfunction.
- VIDEO and S-VIDEO inputs: If your external device has an S-VIDEO output, S-VIDEO connection is recommended. S-video provides a finer, more detailed picture. If inputs are connected, S-VIDEO input takes a priority.
- Component Input (YPbPr): Picture can be displayed only when a 480i or 480p or greater signal is received.



Remote control

1. POWER Turns the LED TV on and off (standby mode).
 2. SOURCE Press to display the source menu on the screen. Using the Navigator 4 or ¥ buttons to select the source as desired then press (ENTER) button to confirm your selection
 3. S.MODE Sound Mode. press repeatedly to select the presetting sound effect modes.
 4. P.MODE Picture Mode. press repeatedly to select the preset picture modes
 5. SLEEP Press repeatedly to activate and/or set the sleep timer.
 6. ASPECT Press repeatedly to select the aspect ratio of screen as desired
 7. MTS In NTSC receiving mode. press to select. the audio modes to Mono. Stereo or SAP.
- In ATSC Digital receiving mode. press to display ® the audio selection menu on the screen. Using the Navigator a. ¥button to select the desired audio mode

8. CC Press repeatedly to activate and/or set the CC (Closed Caption Display) modes. @
9. ADDIRASE In FAV display mode. press to increase or delete the highlighted channel
10. FAV. Show the list of favorite channels
11. EPG Press to display the Electronic Program Guide in digital TV channels(Operation in © ATSC mode only functions on signals emitting from TV station)
- 12.DISPLAY Press to display the information: settings and the status of current mode/station ® for the screen
13. AYP 4. /ENTER Press to move the cursor "within the setting menu. ENTER Press the ENTER button to confirm the selection. Press the "ENTER" button. the check mark will appear to the channel. and the channel is marked as channel list.
14. MENU Displays the setting menu on the screen
15. EXIT. Press to exit from the setting menu.
16. MUTE Turn off the sound temporary. Press again to turn the sound back.
17. VOL+NVOL- Press to increase or decrease the volume number
18. CH+/CH- Press to increase or decrease channel number
- 19.0-9 Numeric buttons.
20. * For direct access a digital TV channel the volume level (For an example. when access a digital TV 5-1. press button the channel number)
21. SWAP Return to previous channel





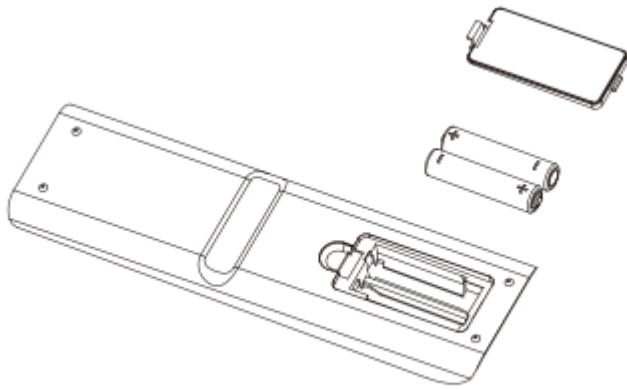
Inserting Remote Control Batteries

On the back of the remote control, push down the catch on the battery compartment cover and lift to remove it.

Insert the two AAA batteries supplied, ensuring that you follow the polarity diagram inside the battery compartment.

Refit the cover.





Battery Disposal

Please ensure batteries are disposed safely. Never dispose batteries in a fire or with household waste. Check with your local authority for disposal regulations.

The batteries (battery pack or batteries installed) shall not be exposed to excessive heat such as sunshine, fires or the like.

Once you have connected your TV to an antenna or cable system, plugged the TV in, and put batteries in the remote, you are ready to use the TV. The first thing you should do is program your TV to memorize all of the available channels in your area.

Turning Your TV On

To turn your TV ON, press the "Ⓞ" button on the remote control or press the "

Operating your TV

First time installation

When you power ON the unit for the first time, the screen will show the initial setup dialog.

There are 6 options in the initial setup menu:

+ Menu Language: English, Français, Español

+ Time Zone, Daylight Saving Time, Time Format:

Press the "4/>" button to select.

+ InRetail Mode, the television provides a more dynamic picture that will increase power consumption beyond Energy Star standards. Setup Wizard

+ InHome Mode, the television display meets Energy Star standards to reduce power consumption.

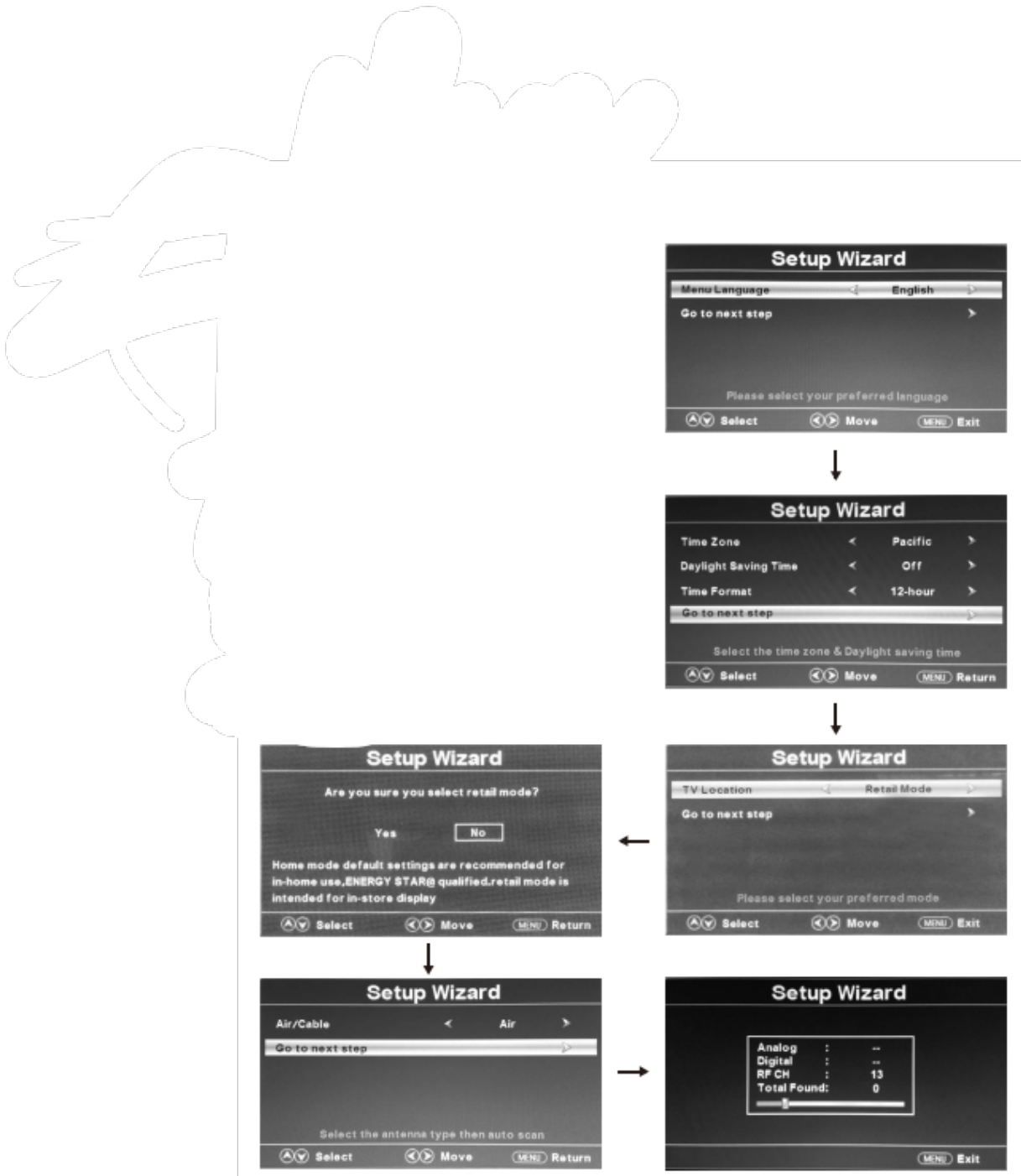
+ Signal type: Air, Cable

+ Auto Channel Search: Execute

+ Press the "a / ¥" button to highlight desired menu language or signal type and press the "4/ >" button to select desired menu language and signal type. Ee

+ Press the "a / ¥" button to highlight Auto Channel = Search and press "ENTER" button to perform = auto channel scan. the Auto Scan process will take about 30 minutes. while the auto scan process is finished then the first memorized channel will appear on the screen.

You can Scan for channels at any time using the following instructions:



Channel Programming

1. Press the "MENU" button on the remote control. then press the "a / ¥" button to highlight



CHANNEL. and press the "ENTER" button to access to the sub-menu.

There are 6 items in CHANNEL Sub-menu:

- + Air/Cable
- + Auto Scan
- +Favorite
- + Channel List
- + Show/Hide
- + Channel Number
- + Channel Label



2. Press the "y" button to highlight Signal Type. then press the ">" button to select desired Air or Cable.

+ Press the "y" button to highlight Auto Channel

Search. and press the "ENTER" button to launch the Auto channels scanning. The scanning process will take about 30 minutes or more (depends on how many TV stations are in your area). when the auto scanning process is finished the first memorized station will appear on the screen.



Channel Label

+ Press the "y" button to highlight the Channel Label then press the "ENTER" button to access.

+ Press the "4/>" button to move the position of cursor. then press the "a /-¥" button one or more times to select each desired character for the name of channel.



Picture

Press the "MENU" button then press the "y" button to highlight the PICTURE and press "ENTER" button to access to the sub-menu.

There are 7 items in the menu:

+Picture Mode

Brightness

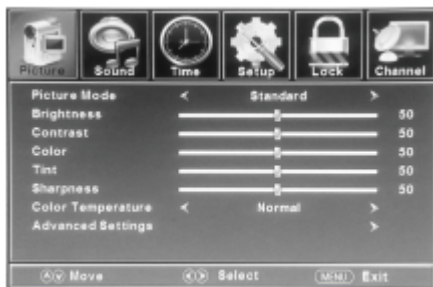
+ Contrast

+ Color

+Tint

+ Sharpness

+Color Temnarature.



Picture settings

+ Press the "a /-¥" button to highlight Picture

Settings and press the "ENTER" button to enter to the sub-menu.

+ In sub-menu press the "a /-¥" button to high light desired item that you want to adjust. then press the "41" button to change the parameter of selected item.

+ Picture Mode: Standard. Dynar

Power Saving or User.

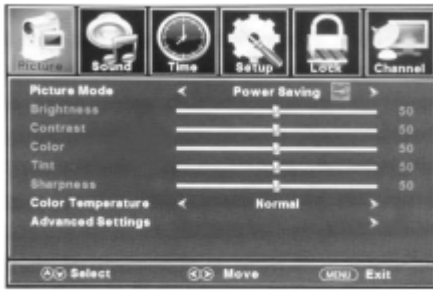
+ Brightness

+ Contrast

+ Color

+ Tint

+ Sharpness



PC Settings

When PC Settings is highlighted, press the "ENTER" button to enter to the sub-menu. then press the "▲/▼" button to highlight desired item which you want to adjust. then press the "▶/▶" button to change the parameter of selected item.

+H-Pos

+V-Pos

+Clock

+Phase

Auto

+ Press the "MENU" button to close the menu.



PC input signal chart

The following chart shows the suggested screen resolutions.

Format	Resolution	Freq.(Hz)
VGA	640 x 480	60/72
SVGA	800 x 600	60/72
XGA	1024 x 768	60/75
WXGA	1366 x 768	60
SXVGA	1920 x 1080	60

Sound

Press the "MENU" button then press the to highlight the SOUND and press to access to the sub-menu.

There are 6 items in the menu:

+ Sound Mode

+Bass

+Treble

Balance

MTS

+ Audio Language

+ Digital Audio Output

+ Surround Sound

+ AVL



Sound Mode

+ Press the "a/¥" button to highlight Sound

Mode and press the "ENTER" button to enter to the sub-menu.

+ Insub-menu press the "a /¥" button to high light desired item that you want to adjust. then press the "4/»" button to change the parameter of selected item.

+ Sound Mode: Standard. Musi

Sports or User.

+ Bass

+ Treble

+ Balance



Parental Control

The parental control menu provide the ability to set rating that block programming that may be inappropriate for the viewing audience such as programs and movies that com tain violence. adult language or nudity.

+ Press the "MENU" button then press the "w button to highlight the PARENTAL CONTROL and press ENTER' button to access to the sub-menu.

To make setting. need to input 4 digit password (the default password is 0000)

There are 3 items in the menu:

+ Change Password

+ System Lock

+ Input Block

+ US Rating

+ Canada Rating

+ RRT Setting

+ Reset RRT





Setup

Press the "MENU" button then press the "y" button to highlight the SETUP and press "ENTER"

button to access to the sub-menu.

There are 6 items in the menu:

+Menu Language

Transparent

+ OSD Timeout

+ Closed Caption

+ Over Scan

Input Label

+Other Settings

+Restore Default

+ Setup Wizard



Date & Time

Press the MENU button then press the “y” button to highlight the TIME and press "ENTER" button to access to the sub-menu. =

There are 5 items in the menu:

+ Sleep Timer

Time Zone

+Daylight Saving Time

+ Time Format

+ Auto Clock

+Clock



Changing channels

+ Press the "CH+" or "CH-" button on the unit or on the remote control to change to higher or lower channels or press the numeric button to key in the channel number directly.

Use the numeric button to select the main channel and sub-channel(Digital channels):

In digital TV mode, a main channel can have one or more sub-channels. to select the main and sub-channel by following below procedures:

+ Press the press the "e" button to input to the sub-channel number.

For example:

If you want to watch channel 5.2, press "5" then "e" then the "2" buttons.

Add or delete channels to the favorite list

+ Press the "ENTER" button to enter to the Channel List menu.

+ Press the "a/¥" button to select a channel which you want to add or delete to the favorite channel list, numeric buttons(0-9) on the remote control, and input the desired main channel, and



+ Press the "ENTER" button, the check mark will appear to the channel, and the channel is marked as channel list.

+ Repeat the same procedure for other channels.

+ Press the "MENU" button to exit.

Use the favorite channel list

1 Press the "FAV." button on the remote control and the favorite list will appear on the screen.

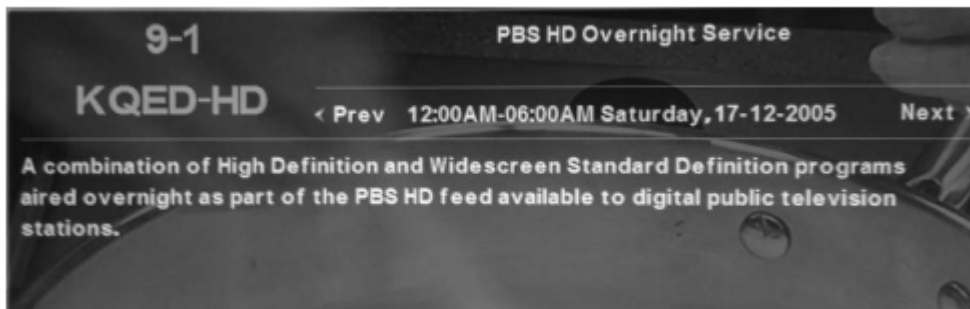
2 Press the "a/v" button to highlight the desired channel that you want to watch. then press the "ENTER" button to call out this channel.



Use The Electronic Program Guide(EPG)

Your TV has an Electronic Program Guide (EPG) that supplies information. such as program lists. and start and end times for programs. In addition. detailed information about the program is often available in the EPG. (The availability and the amount of program details will vary depending on the broadcaster.)

A combination of High Definition and Widescreen Standard Definition programs en ere ee end



To use the EPG

- + Indigital TV mode. select a channel you want to watch.
- + Press the "EPG button on the remote control and the EPG menu will appear with the currently active channel.
- + By repeatedly pressing the "a / ¥" button. the information for additional future programs will be displayed.
- + Press the "47>" button to select the previous or next program.
- + Press the "EPG" button one or more times to close the menu.

Trouble Shooting

Your television is designed to give you trouble-free performance for many years. If you have a problem with your TV. try the solutions listed below.

There is no picture or sound. or the TV doesn't turn on.

- + Make sure the TV is plugged in.
- + Make sure MUTE is not set on.
- + Make sure the POWER is on.
- + Make sure a headphone is not inserted.
- + If there is neither picture nor sound. unplug the TV for 30 seconds. then plug it in and try again.

There is no picture or sound on some UHF channels.

- + Try another station. If the other stations are OK. it may be a station problem.
- + Check that the antenna is connected and adjusted correctly. in good working order and has no broken wires.
- + See if anything is interfering with the antenna signal.

The sound is OK. but the picture is poor.

- + Try another station. If the other stations are OK. it may be a station problem.
- + Check that the antenna is connected and adjusted correctly. in good working order and has no broken wires.

There is poor reception on some channels.

- + Try another station. If the other stations are OK. it may be a station problem.
- + Check that the antenna is connected and adjusted correctly. in good working order and has no broken wires. Antenna not included.

The picture rolls. slants. shows lines. is grainy. has poor color. or has ghosts.

- + Try another station. If the other stations are OK. it may be a station problem.
- + Check that the antenna is connected and adjusted correctly. in good working order and has no broken wires.
- + See if anything is interfering with the antenna signal.

The remote control does not work.

- + Make sure the TV is plugged
- + Make sure there are fresh batteries in the remote control.
- + Make sure there is nothing blocking the remote control signal.

Lost the parental control password

- + In the password screen. enter the universal password "5963". After using the universal password. you must create a new password.



Care & Maintenance

This television receiver represents a fine example of electronic engineering and construction. As such it should be treated with care. We offer the following suggestions so you will enjoy this product for many years to come.

Keep it dry. If water should get on it, wipe it off immediately. Water contains minerals that can corrode electronic circuits.



Do not store in hot areas. High temperatures can shorten the life of electronic devices, damage batteries, and can even distort or melt certain plastics.



Do not drop your product. This will likely result in failure to operate.



Do not use or store in areas with a high level of dirt or dust. The electronic parts may be contaminated or wear prematurely.



Do not use harsh chemicals or strong cleaning solvents to clean your unit. Wipe it with a slightly moist cloth.



Make sure any batteries used are fresh and are of the correct type. Old or almost-dead batteries are dangerous.

A worn out battery can leak chemicals which will damage the electronic circuits.



Warning

This content is compiled from multiple sources and is provided for reference purposes only. It may not be complete or fully applicable to all situations. If you are unable to resolve your issue, please contact the product manufacturer or an authorized service provider for official support.

Document generated by [ManualsFile](#)

