

## User Guide for Laundry Pedestal

**IMPORTANT: Read and follow these instructions.**

**NOTICE** The installer must have electrical and mechanical training and acceptable knowledge in the required work.

Safety is foremost---both your own and that of other people. Many important safety instructions are provided in this instruction and your appliance. Always read and observe all safety instructions.

**WARNING Excessive Weight Hazard** Two or more people may be needed to install and move the appliance and pedestal assembly. Do not allow children to play on the drawer. Do not step on the handle.

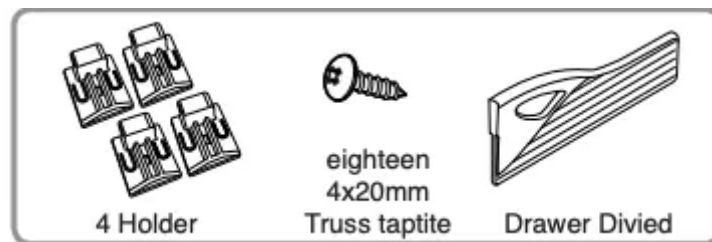
**NOTE** A firm, solid floor is even more critical to a front-loading washer than to a top-loader. If your floor is wooden and /or frame construction, you may need to reinforce it. Front-loaders have substantially faster spin speed than top-loaders, causing greater vibration. If the floor is not solid, your washer will vibrate.

### NOTE

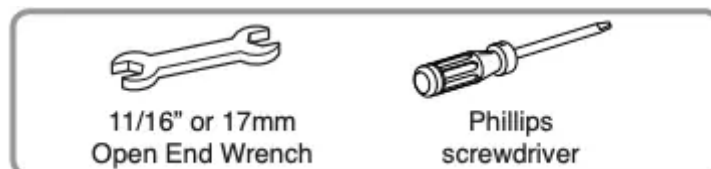


If a drip pan must be used, take extra care to follow the instructions provided with the drip pan and make sure the leveling feet are adjusted for firm and even contact with the pan. Use of drip pans and failure to properly level the machine may result in increased vibration and noise during operation.

### Included Accessories

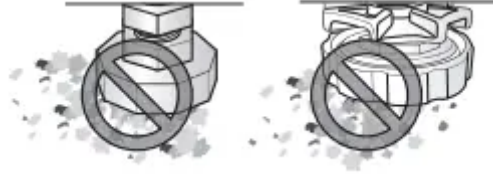


### Tools Needed

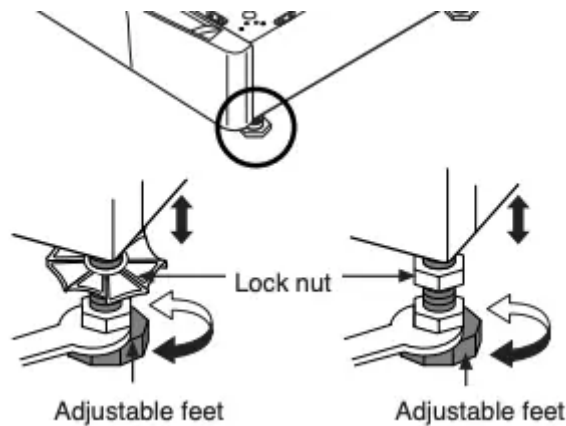


## WASHER/COMBO INSTALLATION

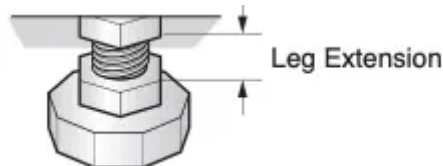
1. Remove pedestal, installation hardware, and instructions from the shipping carton.
2. Before installing the pedestal, remove foreign objects on the floor clean the floor. Dust, water, oil, detergent and so on could cause vibration due to bad contact of legs with floor.



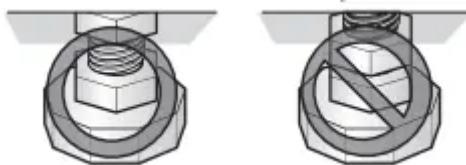
3. Level the pedestal on the clean place by adjusting the feet.



**NOTE** Do not extend the legs no more than necessary to level the washer. The more the legs are extended, the more the washer will vibrate.



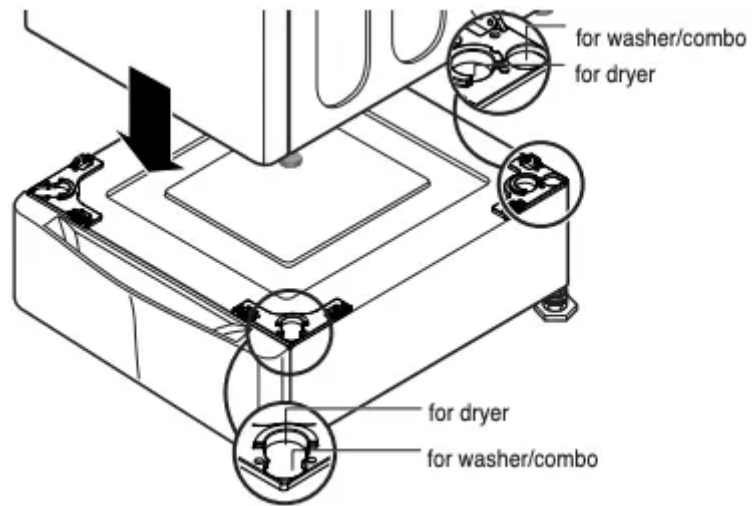
- After the washer is leveled, tighten the lock nuts up toward the base of the washer using the wrench. All four lock nuts should be tightened.



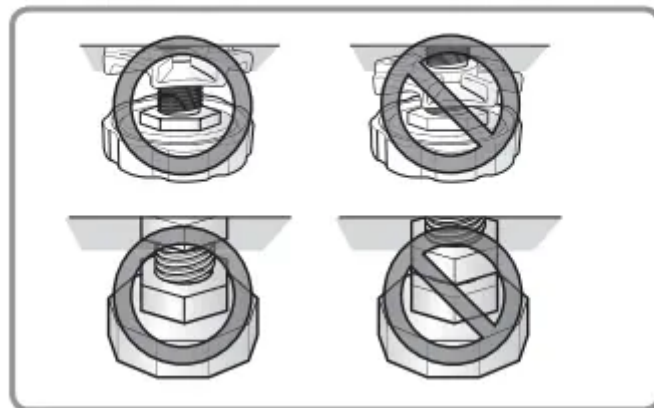
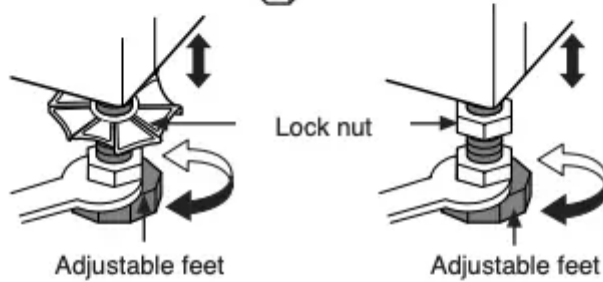
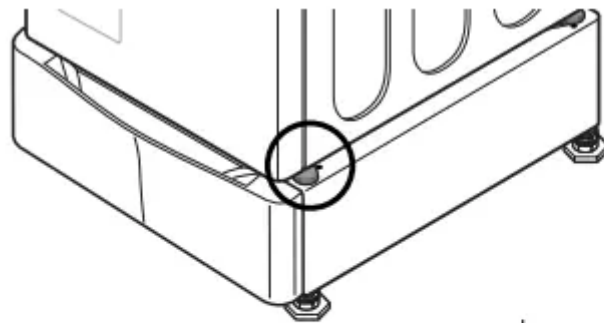
4. Position the washer/combo on top of the pedestal.

**NOTE** Because of the weight of the washer/combo, two or more people may be needed.

**NOTE** If the washer or combo was previously installed, unplug it, disconnect the inlet hose (s) from the faucet (s), disconnect the drain hose, and drain all hoses.



5. Level the washer/combo on the pedestal by adjusting the feet.



6. Make sure the holes on the pedestal align with the holes in the appliance, then install 4 screws at each corner to securely attach the appliance to the pedestal.

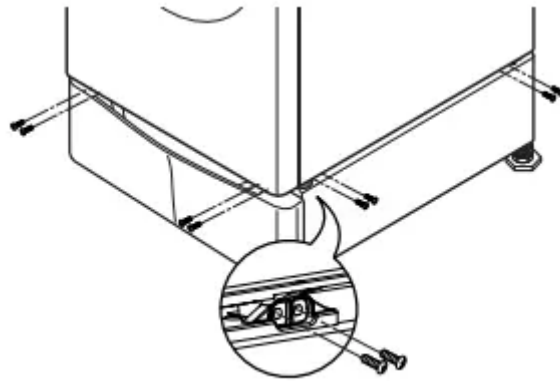
**NOTE**

If the screws are not installed properly, noise and vibration may result.



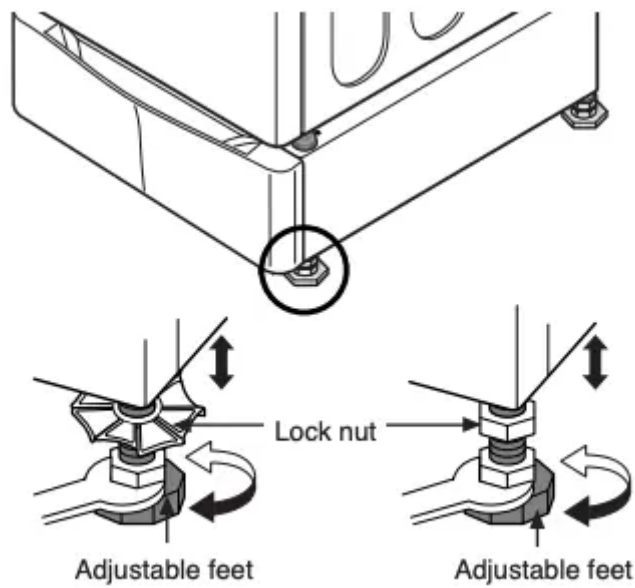
For WASHER: 16 SCREWS

For DRYER: 8 SCREWS



7. Move the washer/combo to the desired place.

**NOTE** The appliance and pedestal assembly must be placed on a solid and level floor for proper operation. Adjust the legs of the appliance and pedestal by turning with a wrench. Then, adjust the lock nut toward the pedestal while holding the pedestal leg using a wrench.



**NOTE**

**Diagonal Check**



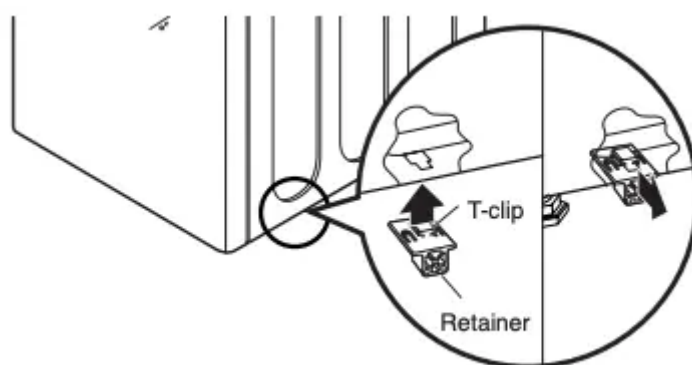
When pushing down the edges of the washing machine top plate diagonally, the machine should not move up and down at all. (Please check both directions.) If the machine rocks when pushing the machine top plate diagonally, adjust the feet again.

#### **NOTE**

To make sure that the washer is properly level, run the washer with a test load: place approximately 6 pounds of laundry in the machine. Then press POWER, press RINSE+SPIN, and then press the START/PAUSE button. See the following sections for additional information on cycle selection and operation. Verify that the washer does not rock or vibrate excessively during the spin cycle. If the washer vibrates or shakes, adjust the leveling feet until the washer is stable and retest.

## **DRYER INSTALLATION**

1. Remove pedestal, installation hardware, and instructions from the shipping carton.
2. Insert the T-clip of the 4 retainers into the dryer base as shown. Press up on the back of the clip and pull outward to lock into place.



3. Position dryer on top of the pedestal.

**NOTE** Because of the weight of the dryer, two or more people may be needed.

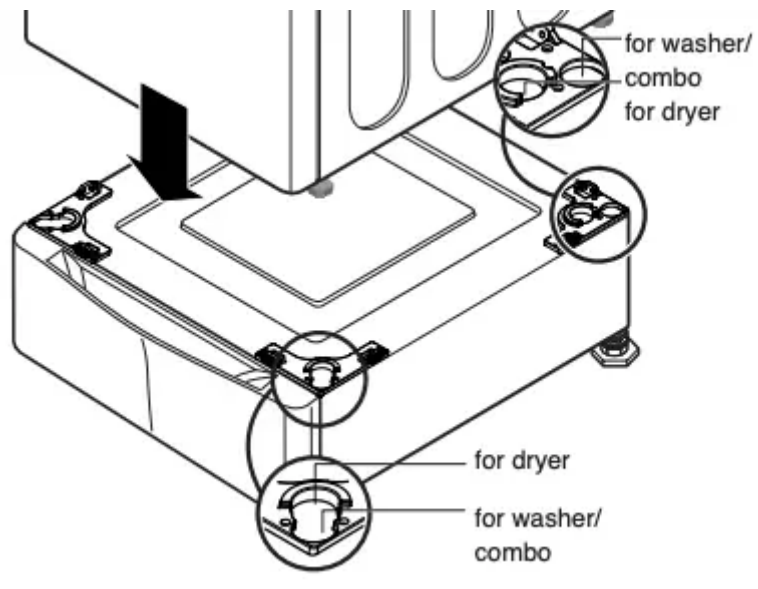
**NOTE** If dryer was previously installed, uninstall it as follows:

#### **A. Uninstalling an electric dryer:**

- 1) Unplug the power supply cord,
- 2) Pull the dryer away from the wall enough to loosen the vent clamp. Loosen the clamp and carefully remove the exhaust vent from the dryer exhaust outlet.

#### **B. Uninstalling a gas dryer:**

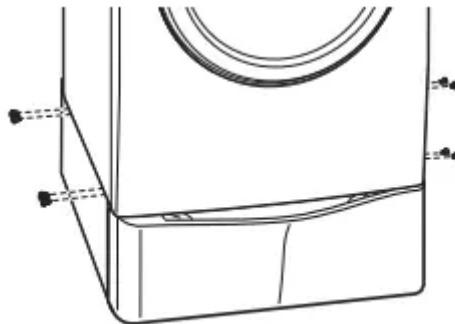
- 1) Unplug power supply cord.
- 2) Turn off the gas supply.
- 3) Pull the dryer away from the wall enough to loosen the vent clamp. Loosen the clamp and carefully remove the exhaust vent from the dryer exhaust outlet.



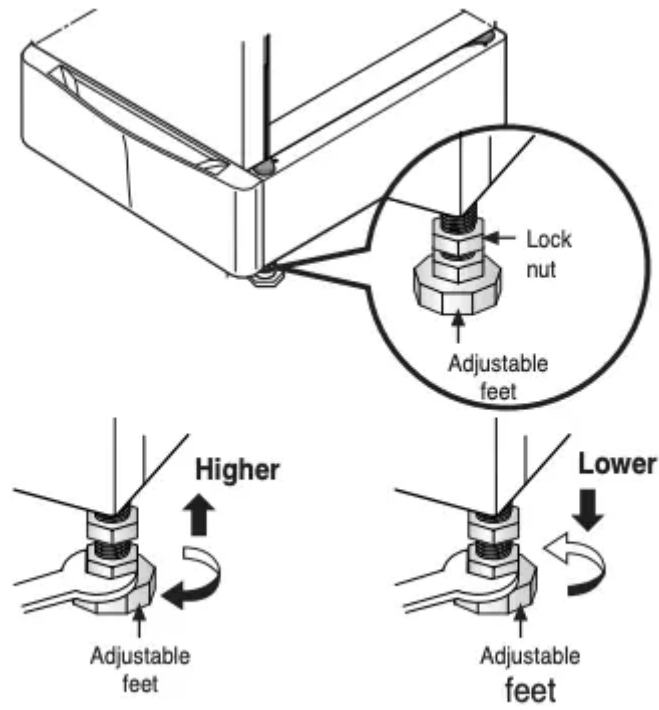
4. Make sure the holes on the pedestal align with the holes in the appliance, then install 2 screws at each corner to securely attach the appliance to the pedestal.

**NOTE**

If the screws are not installed properly, noise and vibration may result.



5. Move the dryer to the desired place.



### Warning

This content is compiled from multiple sources and is provided for reference purposes only. It may not be complete or fully applicable to all situations. If you are unable to resolve your issue, please contact the product manufacturer or an authorized service provider for official support.