

Installation and connection

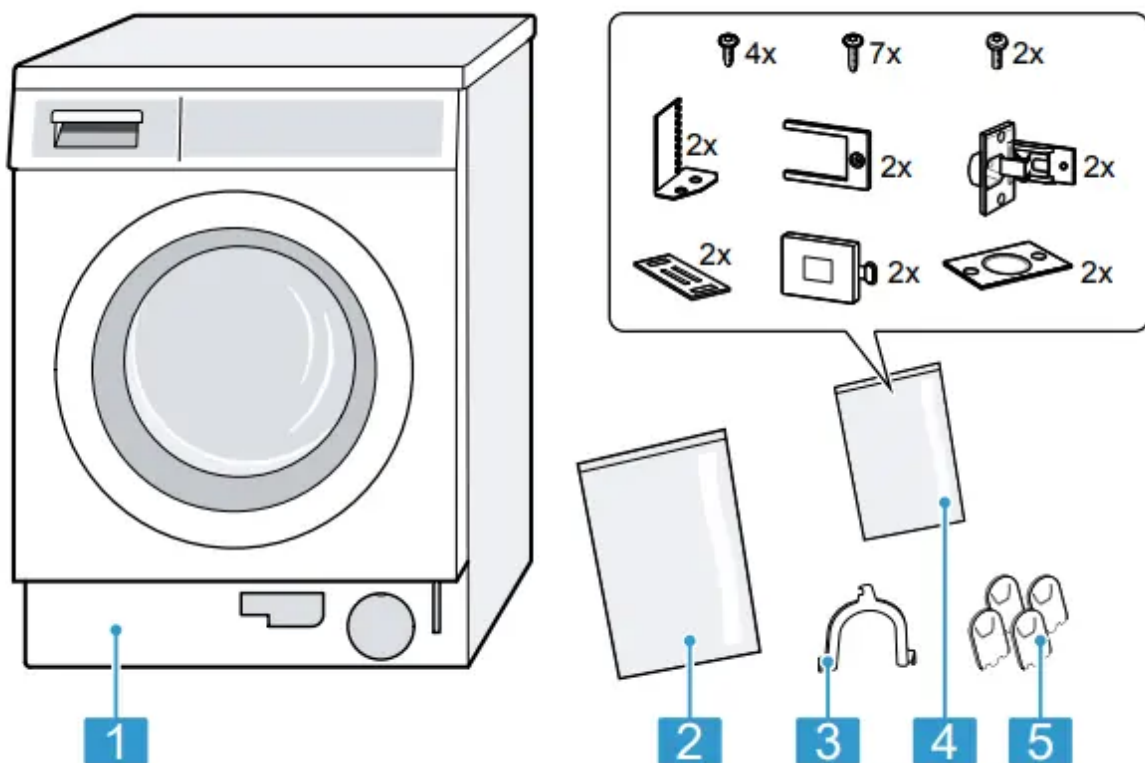
You can find out where and how best to install your appliance here. You will also learn how to connect the appliance to the water and power supply.

Unpacking the appliance

1. Remove any packaging and protective covers completely from the appliance.
2. Check the appliance for visible damage.
3. **ATTENTION!** Objects remaining in the drum that are not designed for operation with the appliance may cause material damage and damage to the appliance.
 - ▶ Remove these objects, along with all supplied accessories, from the drum before starting the appliance. Open the door and remove the accessory from the drum.

Contents of package

After unpacking all parts, check for any damage in transit and completeness of the delivery



1 Washing machine

2 Accompanying documents

3 Elbow for fixing the water outlet hose

4 Parts for the installation

5 Cover caps

Requirements for the installation location

The appliance may "wander" when it spins. Observe the instructions for the installation location.

Note: Please read the information in the Safety → Page 4 and Preventing material damage → Page 11 sections to ensure that you use the appliance safely

ATTENTION!

- If the appliance is installed in areas exposed to frost or outdoors, frozen residual water may damage the appliance and frozen hoses may crack or split.
 - Do not install or operate this appliance anywhere that is liable to experience frost and/or outdoors.
- The appliance underwent a function test before leaving the factory and may, therefore, contain residual water. This residual water may leak out if the appliance is tilted at an angle greater than 40°.
 - Tilt the appliance carefully.

On a base



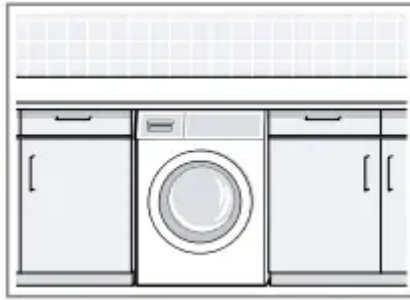
Secure the appliance
with fixing brackets
→ *Page 32.*

On a wooden joist floor



Place the appliance on a water-resistant wooden board which is screwed tightly to the floor. The wooden board should be at least 30 mm thick.

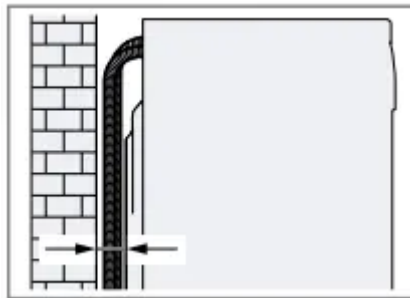
In a kitchen unit



- A niche width of 60 cm is required.
- Only install the appliance underneath a continuous worktop that is securely connected to adjacent cabinets.

Note: The use of sliding plates → "Accessories", Page 32 makes it easier to slide the appliance into the recess. Moisten the sliding plates with a mixture of water and washing-up liquid before pushing the appliance in. Do not use grease or oil to do this.

On a wall



Do not trap the hoses between the wall and the appliance.

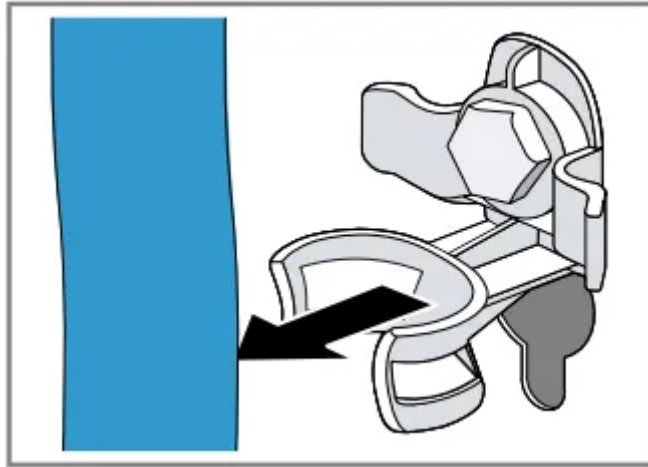
Removing the transit bolts

The appliance is secured for transportation using transit bolts on the rear of the appliance.

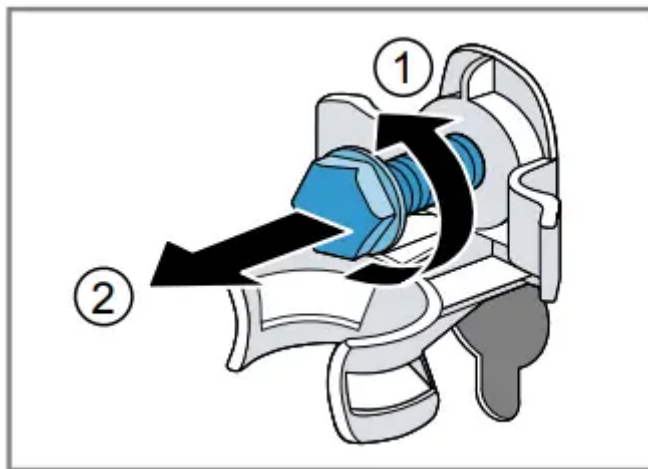
Notes

- Please read the information in the Safety → Page 4 and Preventing material damage → Page 11 sections to ensure that you use the appliance safely.
- Keep the transit bolts, screws and sleeves in a safe place for future transport → Page 54.

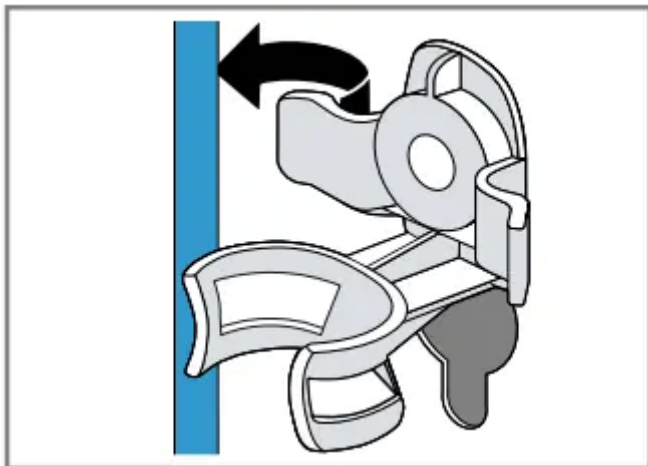
1. Pull the hoses out of the holders.



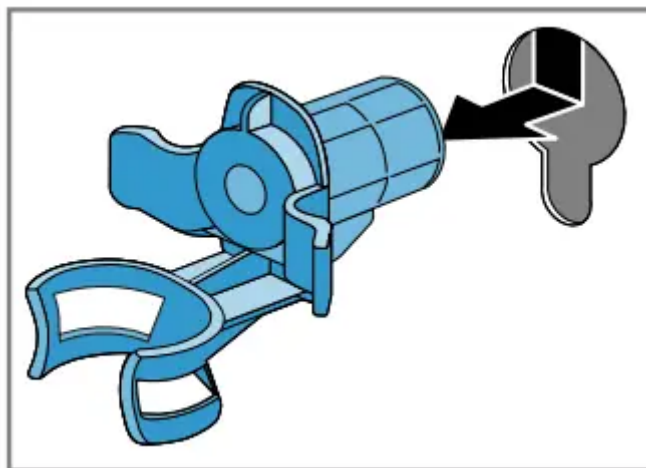
2. Unscrew 1 and remove 2 all four screws for the transit bolts with a WAF 13 wrench.



3. Pull the power cord out of the holder.



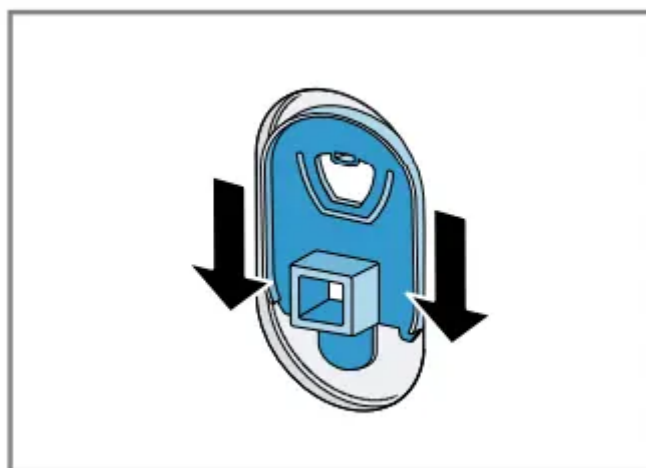
4. Remove the four sleeves.



5. Put on the four cover caps.



6. Press down on the four cover caps.



Tools for assembly

You require the following tools for the assembly:

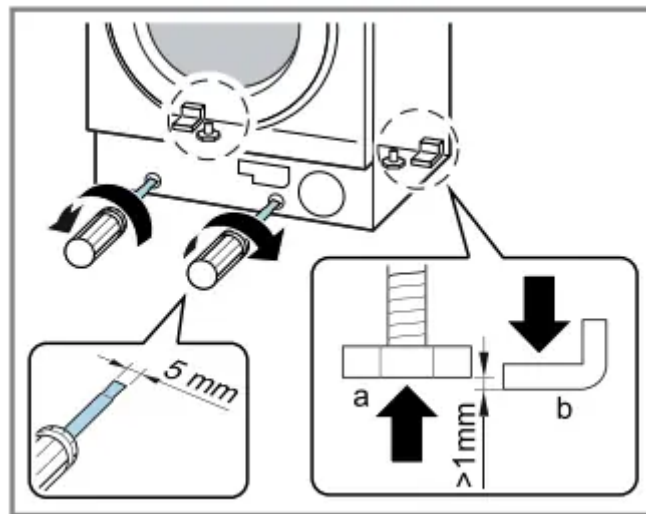
- Spirit level
- Wrench, WAF 13

- Wrench, WAF 17
- Forstner 35 mm drill bit
- 2 mm twist drill
- Screwdriver

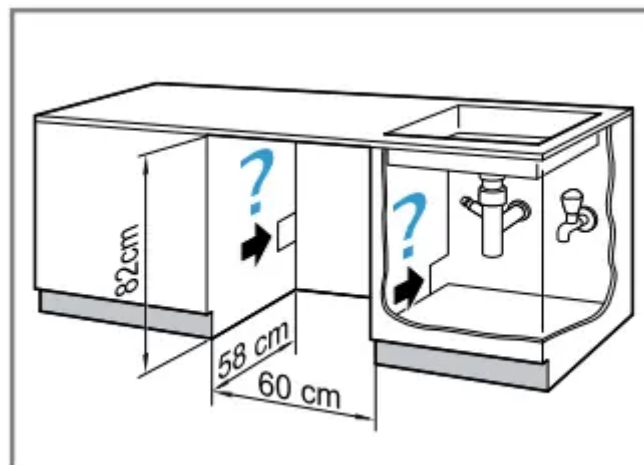
Installing the appliance

Preparing the appliance

1. To make it easier to slide in the appliance, turn in the appliance's rear feet until the appliance is on the runners.

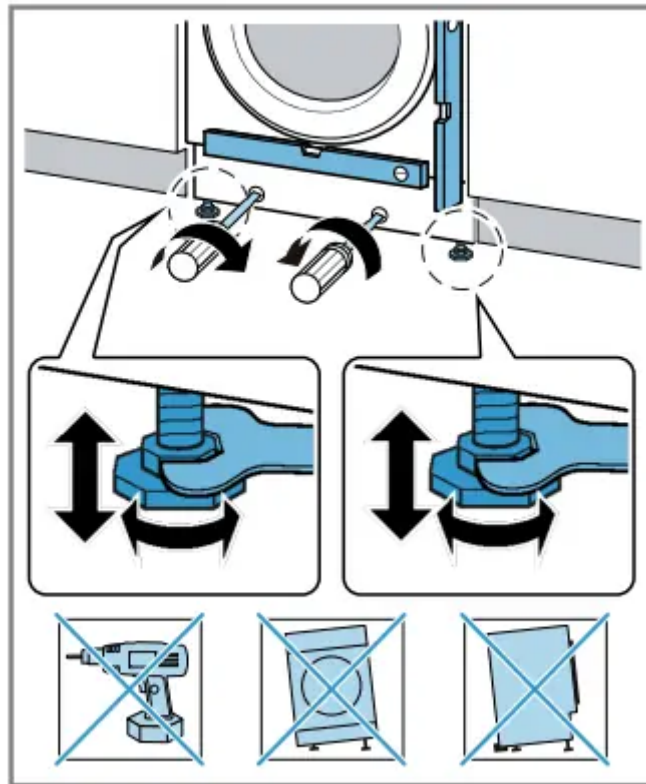


2. Measure the built-in niche.



3. Lay the power cord as well as the water inlet and water drain hose.

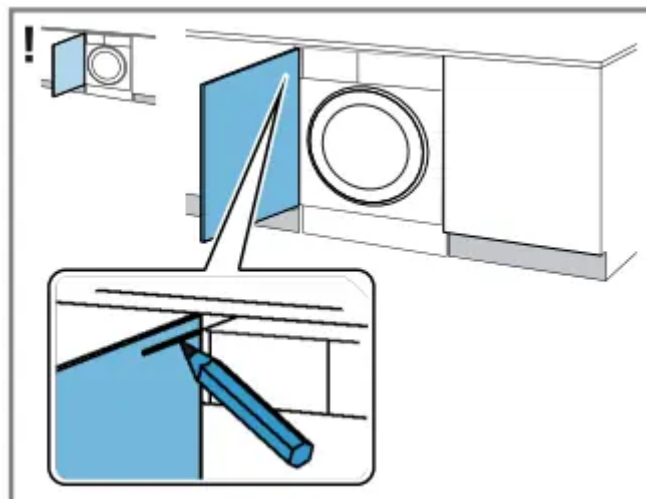
4. Slide the appliance in and, at the same time, pull through the power cord, water inlet and water drain hose.



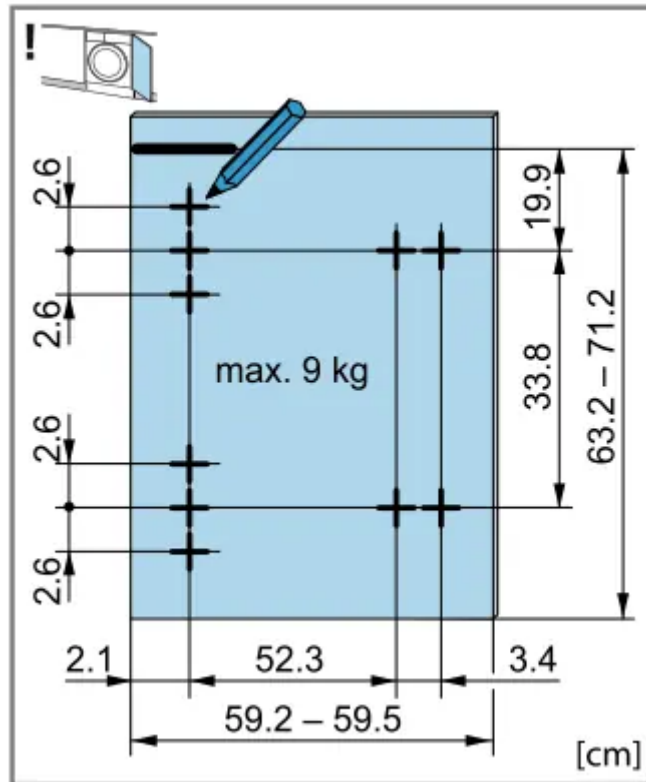
Installing the cabinet door

Note: Metal elements may impair the function of the control panel. Do not use any cabinet doors with metal elements in the area of the control panel.

1. Hold the cabinet door at the required height on the appliance and mark the upper edge of the appliance on the inside of the door.

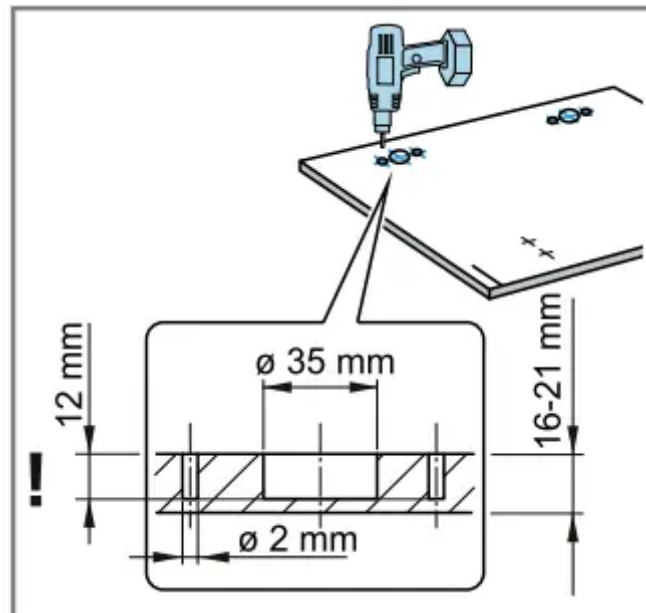


Mark on the top edge of the appliance at the left-hand stop

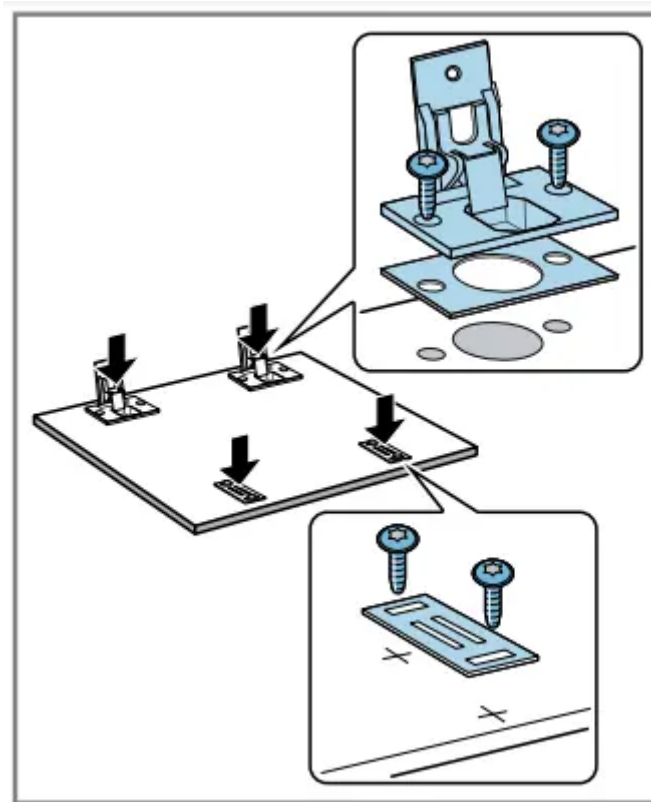


Mark for the holes at the right-hand stop

3. At the previously marked points, use a Forstner 35 mm drill to drill the holes for the hinges. At the previously marked points, use a 2 mm twist drill to drill holes for the screws.

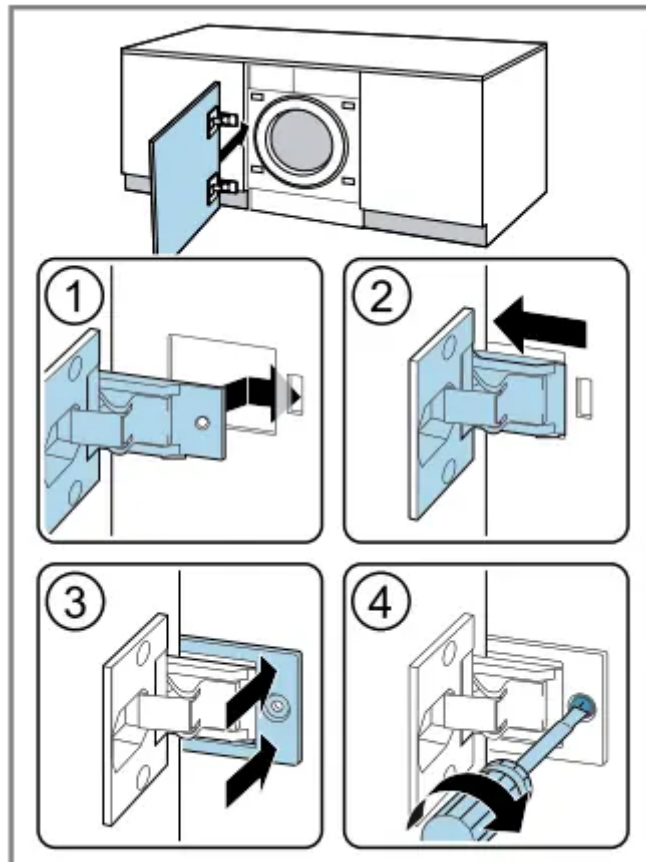


4. Insert the hinges into the holes and screw them in.



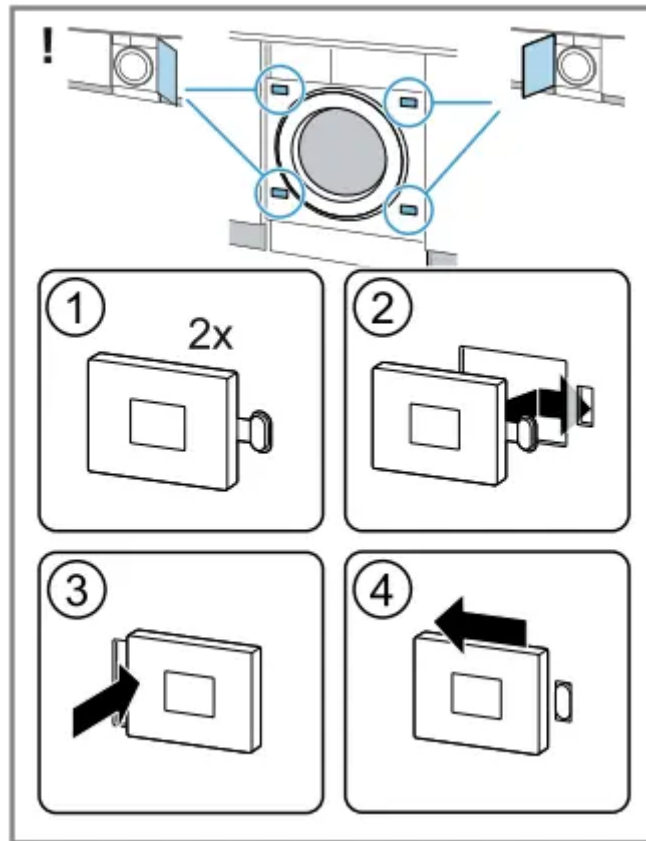
5. Screw on the counter plates for the magnetic catches.

6. Insert the hinges into the appliance 1-2



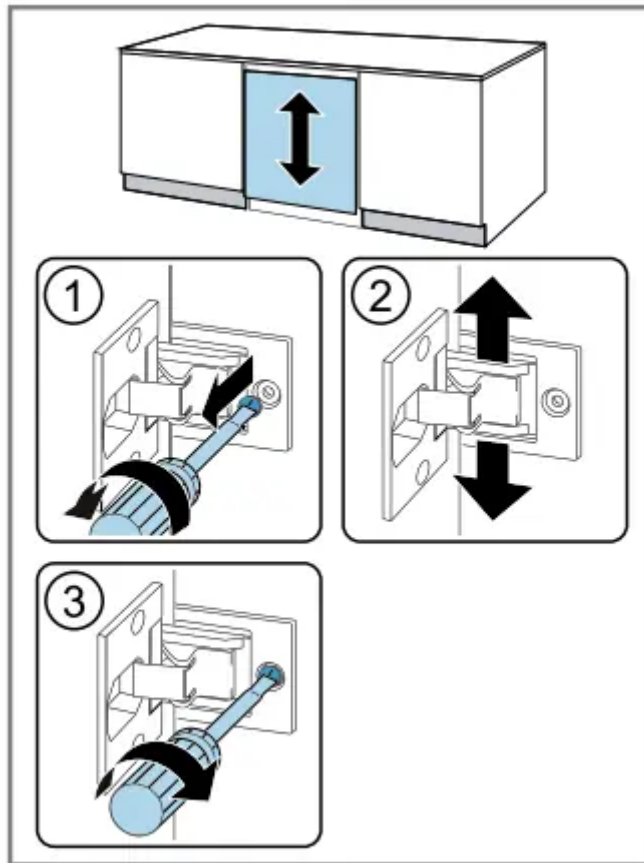
7. Slide in the covering rail 3 and screw it in 4.

8. Put the magnetic catches on the appliance.

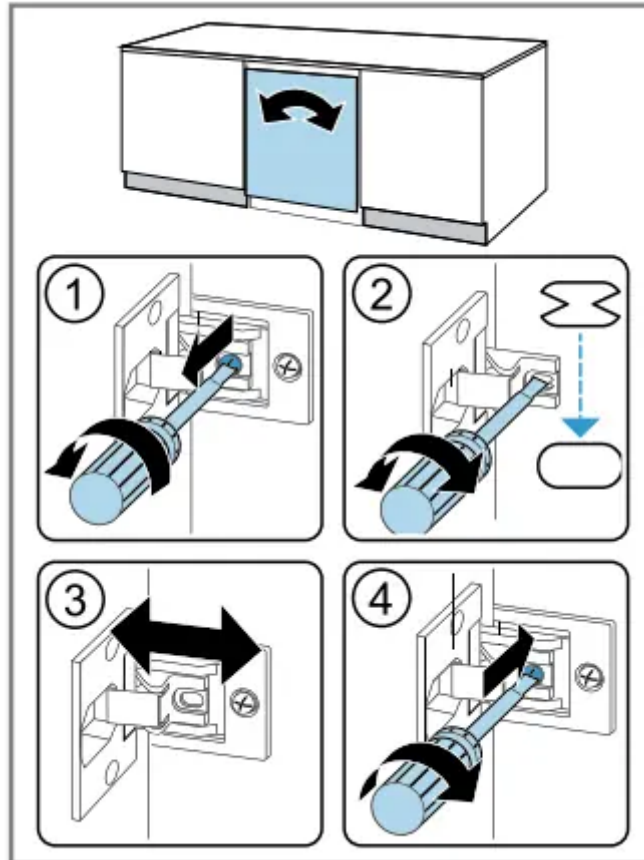


Aligning the cabinet door

Vertically aligning the cabinet door



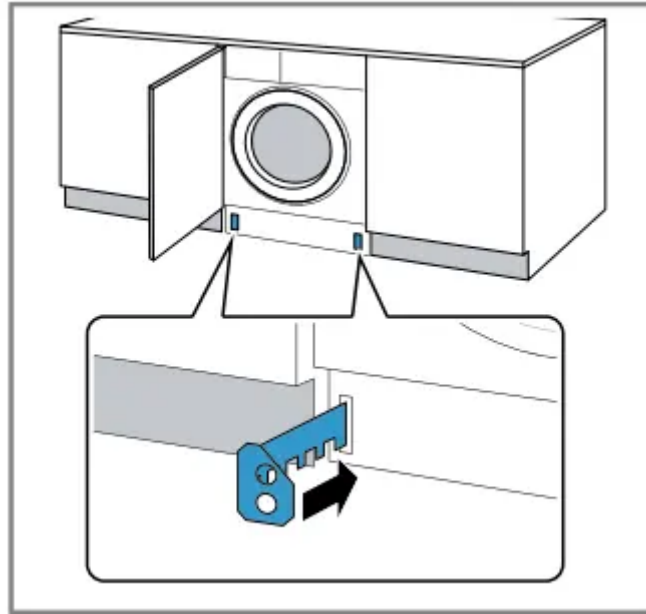
Horizontally aligning the cabinet door



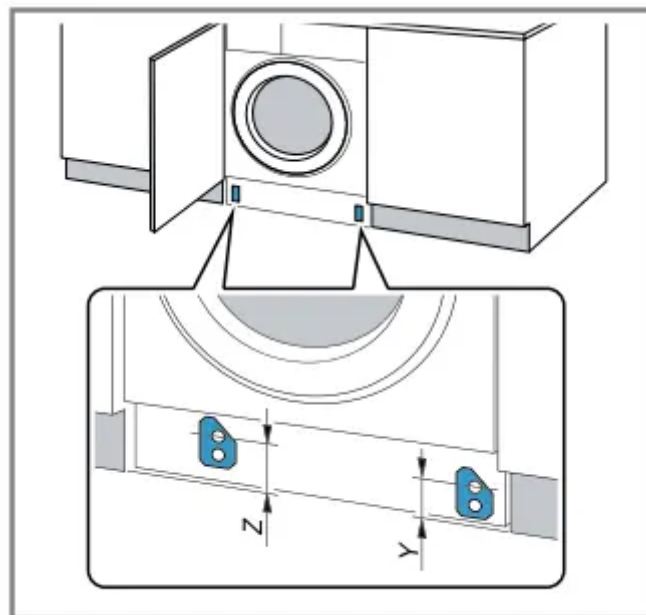
Installing the base panel



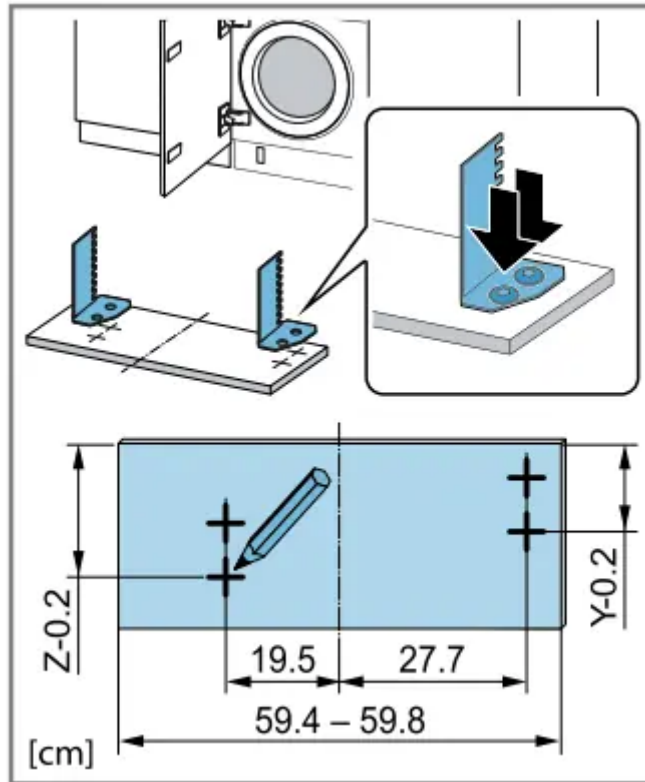
1. Insert the spacers for the base panel.



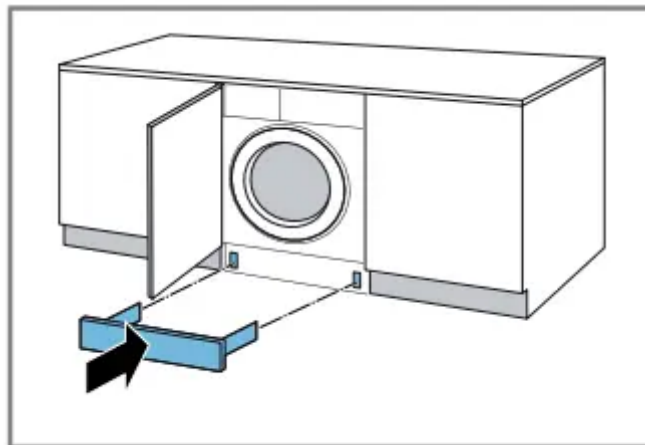
2. Measure dimension Z and dimension Y.



3. Screw the spacers in as per the dimensions.

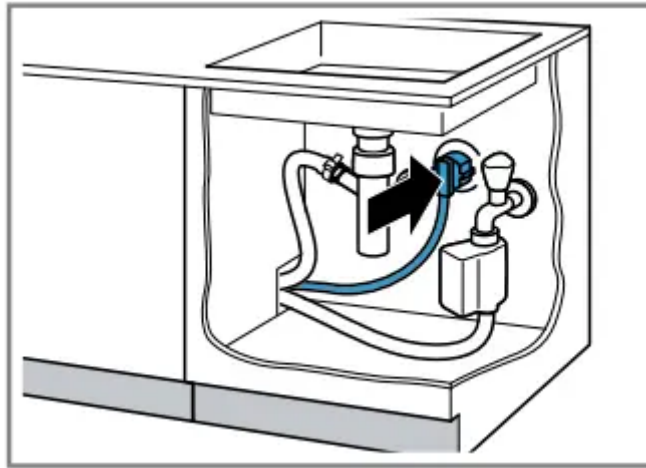


4. Install the base panel.



5. Connect the appliance to the power supply

→ "Connecting the appliance to the electricity supply", Page 22.



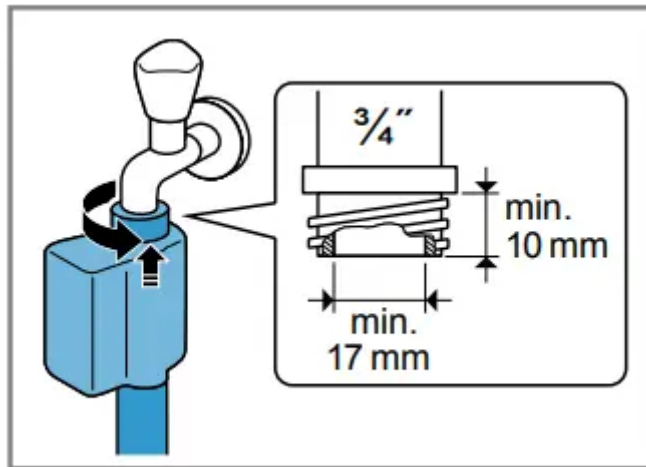
Connecting the appliance

Connect your appliance to the power supply, water inlet and water outlet.

Connecting the water inlet hose

Note: Please read the information in the Safety → Page 4 and Preventing material damage → Page 11 sections to ensure that you use the appliance safely

1. Connect the water inlet hose to a tap (26.4 mm = 3/4").



2. Open the water tap carefully and check that the connection points are tight.

Water outlet connection types

This information is intended to help you to connect this appliance to the water outlet.

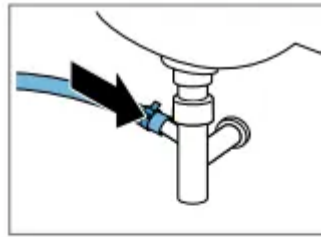
Note: Please read the information in the Safety → Page 4 and Preventing material damage → Page 11 sections to ensure that you use the appliance safely

ATTENTION!

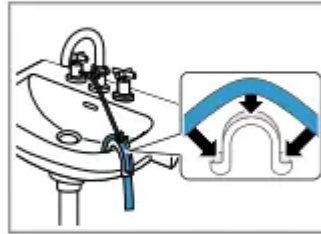
When draining, the water outlet hose is subject to water pressure and may come loose from the installed connection point.

- ▶ Secure the water outlet hose against unintentional loosening.

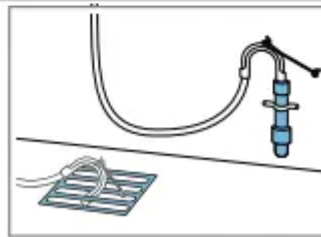
Drainage into a siphon.
Secure the connection point with a (24–40 mm) hose clamp.



Drainage into a wash basin.
Fix and secure the water outlet hose with an elbow.



Drainage into a plastic pipe with rubber sleeve or into a gully.
Fix and secure the water outlet hose with an elbow.



Connecting the appliance to the electricity supply

Note: Please read the information in the Safety → Page 4 and Preventing material damage → Page 11 sections to ensure that you use the appliance safely.

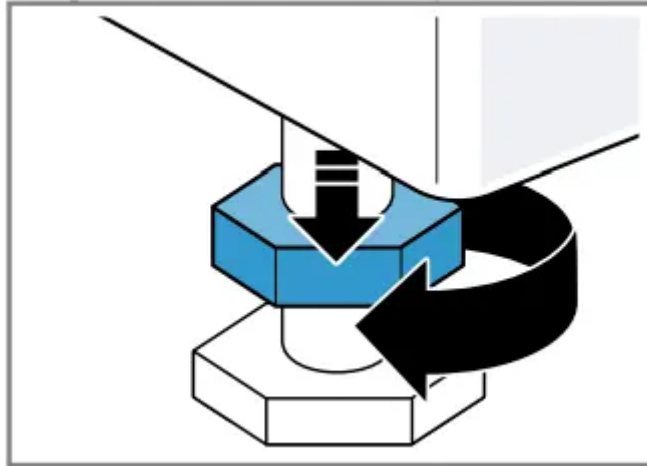
1. Insert the mains plug of the appliance's power cable in a socket nearby. The connection details of the appliance can be found under Technical data → Page 58.
2. Check the mains plug is inserted properly

Aligning the appliance

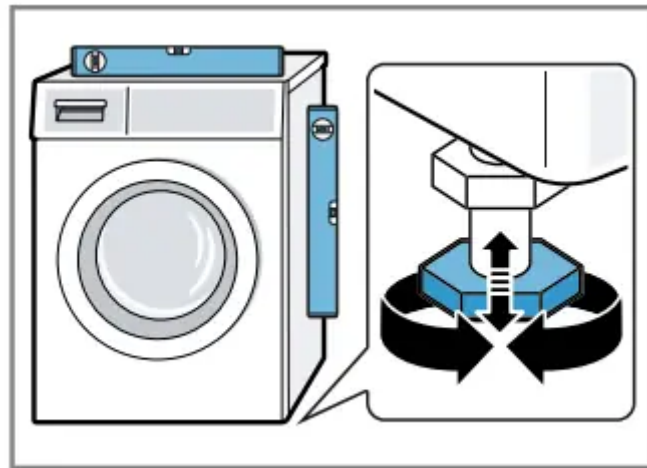
In order to reduce noise and vibration and to prevent the appliance from moving, align the appliance correctly.

Note: Please read the information in the Safety → Page 4 and Preventing material damage → Page 11 sections to ensure that you use the appliance safely.

1. Loosen the lock nuts using a WAF 17 wrench by turning it in a clockwise direction.

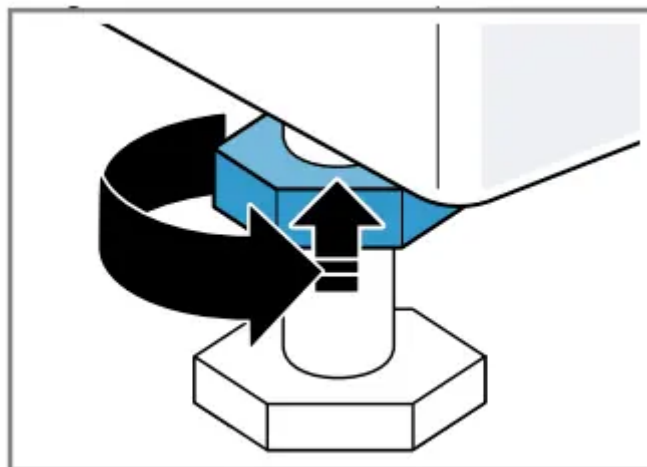


2. To align the appliance, turn the appliance feet. Check that the appliance is level using a spirit level.



All appliance feet must stand firmly on the ground.

3. Screw the lock nuts tightly against the housing using a WAF 17 wrench.



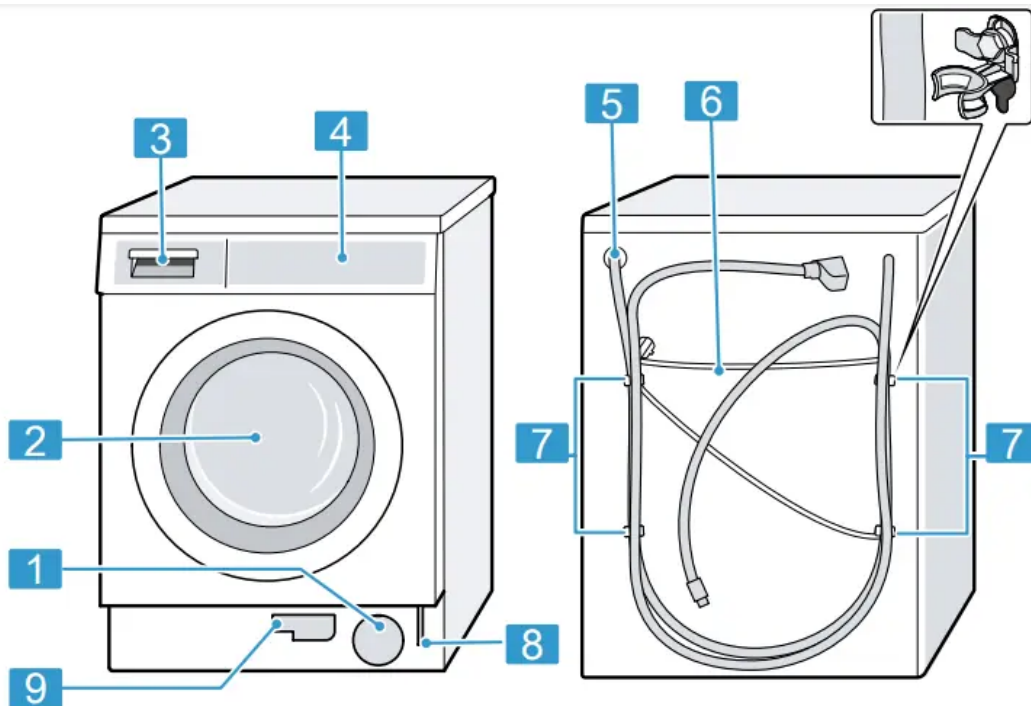
In doing so, hold the foot tight and do not adjust its height.

Familiarising yourself with your appliance

Familiarise yourself with the parts of your appliance.

Appliance

You can find an overview of the parts of your appliance here.

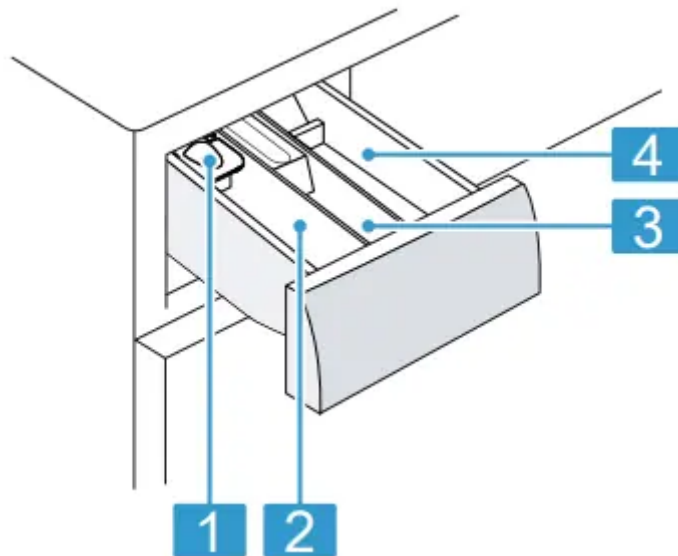


On certain models, specific details such as the colour and shape may differ from those pictured.

1. Maintenance flap for the drain pump → Page 43
2. Door
3. Detergent drawer → Page 25
4. Controls → Page 25
5. Water outlet hose → Page 22
6. Power cord → Page 22
7. Transit bolts → Page 16
8. Emergency release → Page 54
9. Drain hose → Page 43

Detergent drawer

Below is an overview of the structure of the detergent drawer.



1. Measuring aid for liquid detergent → "Using a measuring aid for liquid detergent", Page 37

2. Compartment II:

- Detergent for main wash
- Water softener
- Bleach
- Stain remover

3. Compartment :

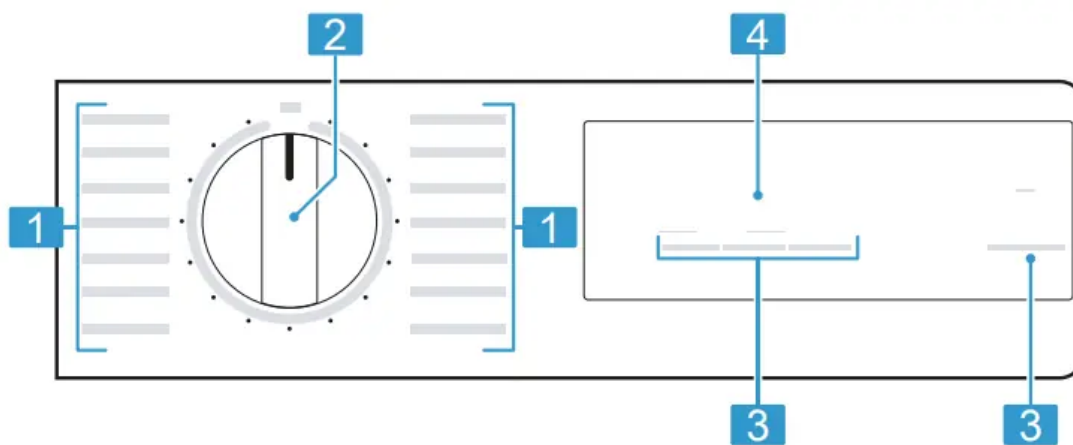
- Fabric softener
- Liquid starch
- Waterproofing agent

4. Compartment I:

- Detergent for prewash
- Hygiene detergent

Controls

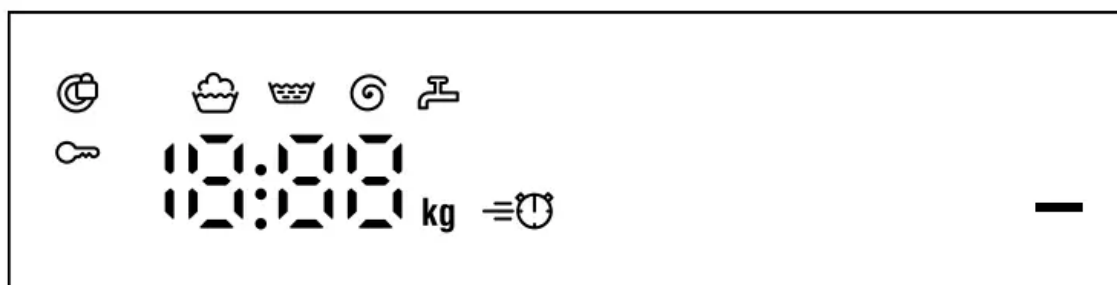
The controls are used to configure all functions of your appliance and to obtain information about the operating status.



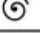



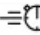


- 1. Programmes → Page 29
- 2. Programme selector → Page 36
- 3. Buttons → Page 28
- 4. Display → Page 26

Display

The display shows the current settings, options or relevant information



Display	Designation	Description
0:40 ¹	Programme duration/ programme time re- maining	Approximate expected programme duration or pro- gramme time remaining.
10h ¹	"Ready in" time	The programme end has been set and the remaining number of hours is displayed. → "Buttons", Page 28
8 kg ¹	Recommended load	The maximum load capacity for the selected pro- gramme in kg.
- - - - 1400	Spin speed	Set spin speed in rpm. → "Buttons", Page 28 0= No final spin, only draining - - -: Rinse Hold, no draining
—	Start/Pause	Start, cancel or pause <ul style="list-style-type: none"> ■ Lights up: The programme is running and can be cancelled or paused. ■ Flashes: The programme can be started or continued.
	Wash	Programme status
	Rinse	Programme status
	Spin	Programme status
¹ Example		

Display	Designation	Description
- - -	Rinse Hold	Programme status
End	End of programme	Programme status
	Childproof lock	<ul style="list-style-type: none"> ■ Lights up: The childproof lock is activated. ■ Flashes: The childproof lock is active and the programme selector has been adjusted. → "Deactivating the childproof lock", Page 40
	varioSpeed	Short wash activated. → "Buttons", Page 28
	Door	<ul style="list-style-type: none"> ■ Lights up: The door is locked and cannot be opened. ■ Flashes: The door is not closed properly. ■ Off: The door is unlocked and can be opened.
	Tap	<ul style="list-style-type: none"> ■ No water pressure. → "Error code / Fault display / Signal", Page 47 ■ The water pressure is too low.
E:60 / -2B ¹	Error	Error code, error display, signal. → "Error code / Fault display / Signal", Page 47
¹ Example		

Cleaning and servicing

To keep your appliance working efficiently for a long time, it is important to clean and maintain it carefully.

Tips on appliance care

Follow the tips for appliance care to ensure your appliance works correctly in the long term.

Wipe down the housing and the control panel with nothing but water and a damp cloth.---
The appliance parts remain clean and hygienic.

Remove all detergent residue, spray residue or other residues immediately. --- Fresh deposits are easier to remove without leaving any residue.

Keep the appliance door and detergent drawer open after use. ---This allows the residual water to dry, reducing odours in the appliance.

Cleaning the drum

If you often wash at a washing temperature of 40 °C and lower or the appliance has not been used for a long period, clean the drum.

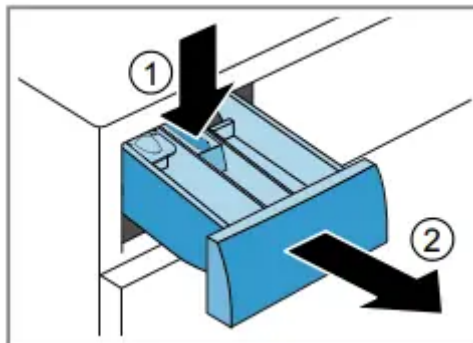
- Run the Cotton 60° programme without laundry.

Add washing powder.

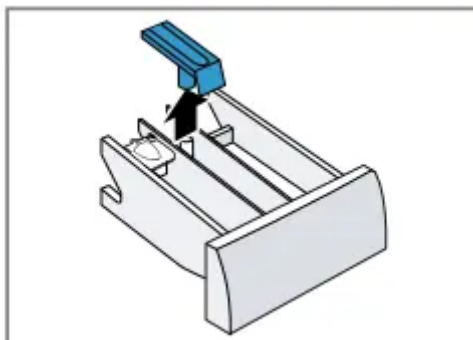
Cleaning the detergent drawer

Note: Please read the information in the Safety → Page 4 and Preventing material damage → Page 11 sections to ensure that you use the appliance safely.

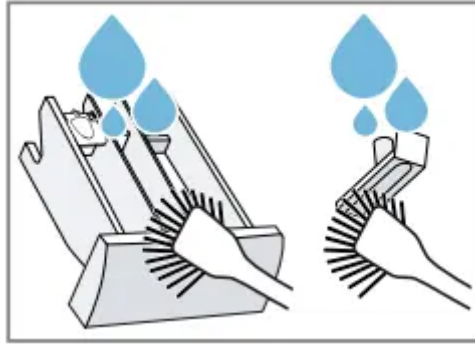
1. Pull out the detergent drawer.
2. Press down on the insert and remove the detergent drawer.



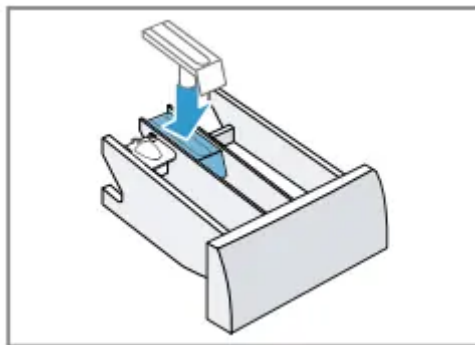
3. Press out the insert upwards from below.



4. Clean the detergent drawer and insert with water and a brush, and then dry them.



5. Fit the insert and lock it into place.



6. Cleaning the opening for the detergent drawer.



7. Push in the detergent drawer.

Descaling

If you add detergent correctly, you do not need to descale your appliance. If you still wish to use descaler, follow the manufacturer's instructions for use.

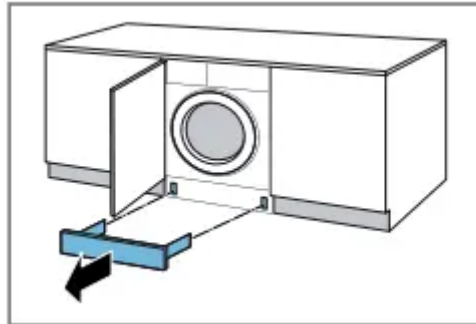
Cleaning the drain pump

Clean the drain pump in the event of faults, e.g. blockages or rattling noises.

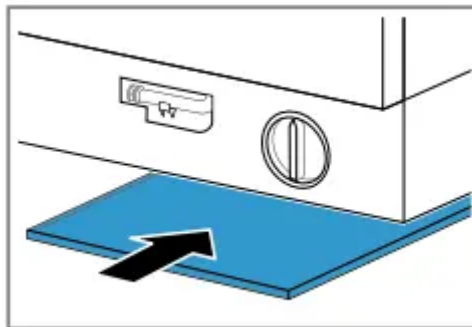
Emptying the drain pump

Note: Please read the information in the Safety → Page 4 and Preventing material damage → Page 11 sections to ensure that you use the appliance safely.

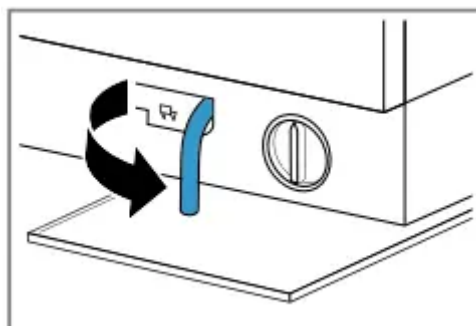
1. Turn off the water tap.
2. Switch off the appliance.
3. Disconnect the appliance's mains plug from the power supply.
4. Remove the base panel.



5. Slide a receptacle under the opening.

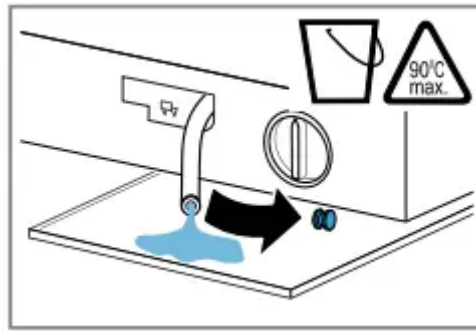


6. Take the drain hose out of the holder.

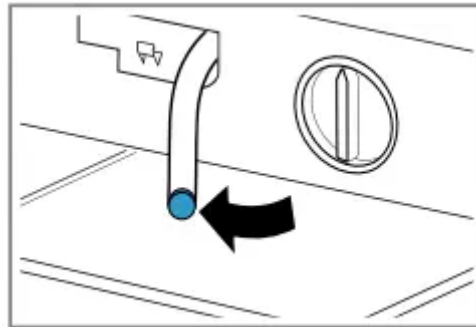


7. **CAUTION** - Risk of scalding! When you wash at high temperatures, the detergent solution gets hot.

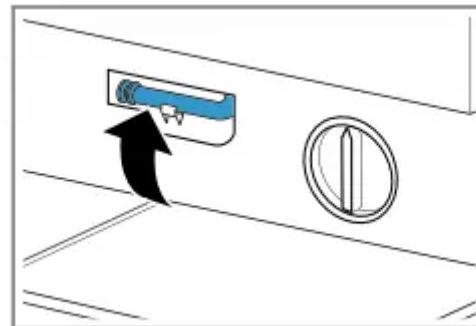
► Do not touch the hot detergent solution. To allow the detergent solution to flow out into the container, remove the sealing cap.



8. Firmly press on the sealing cap.



9. Insert the drain hose into the holder.



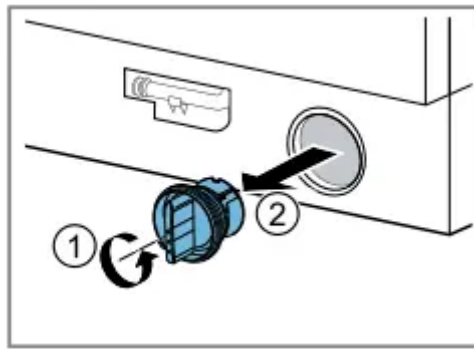
Cleaning the drain pump

Note: Please read the information in the Safety → Page 4 and Preventing material damage → Page 11 sections to ensure that you use the appliance safely.

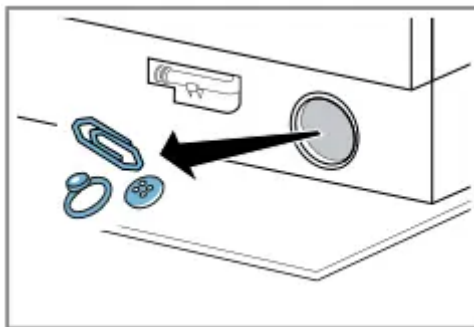
Requirement: The drain pump is empty.

1. Since water may remain in the drain pump, unscrew the pump cap carefully.

- The filter insert in the pump housing may become stuck due to coarse particles of dirt. Loosen the dirt and remove the filter insert.

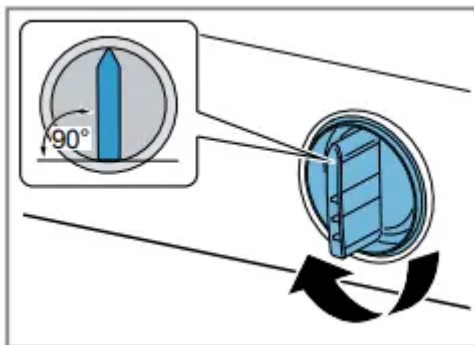


2. Clean the interior, the thread on the pump cap and the pump housing.



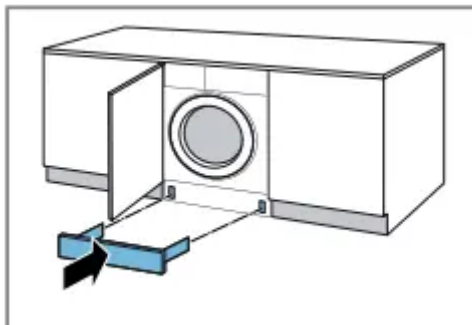
3. Make sure that the impeller in the drain pump can be rotated.

4. Insert the pump cap and screw it on.



The handle on the pump cap must be in a vertical position.

5. Install the base panel.



Before the next wash

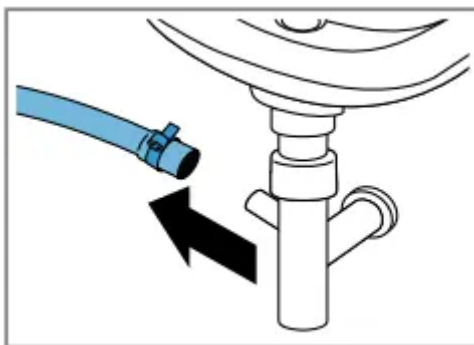
To prevent unused detergent from flowing straight into the outlet in the next wash, run the Drain programme after you have emptied the drain pump.

1. Turn on the tap.
2. Insert the mains plug.
3. Switch on the appliance.
4. Pour 1 litre of water into compartment II.
5. Start the Drain programme.

Cleaning the water outlet hose at the siphon

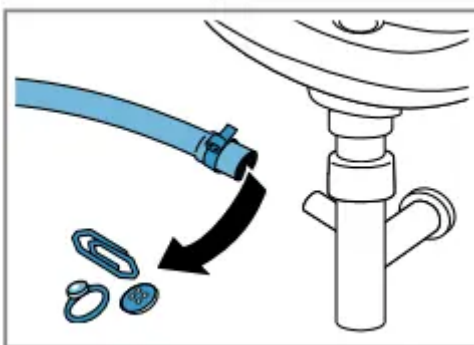
If the water outlet hose at the siphon is dirty or the detergent solution is not being pumped out, you must clean these.

1. Switch off the appliance.
2. Disconnect the appliance's mains plug from the power supply.
3. Loosen the hose clamp and carefully remove the water outlet hose.

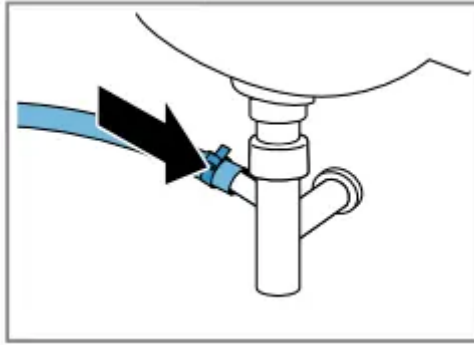


Residual water may leak out.

4. Clean the water outlet hose and siphon connecting piece.



5. Reattach the water outlet hose and secure the connection point using the hose clamp.



Cleaning the water inlet filter

Clean the filter in the water inlet in the event of blockages or if the water pressure is too low.

Emptying the water inlet hose

In order to clean the filter, first empty the water inlet hose.

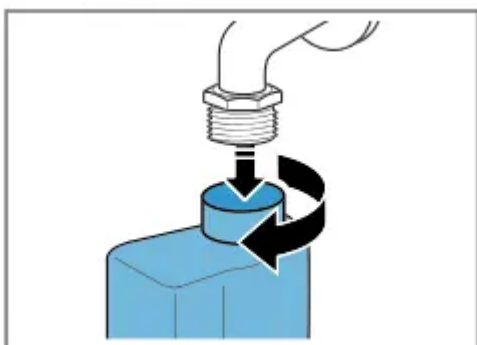
1. Turn off the tap.
2. Set a programme, except for Rinse, Spin or Drain.
3. Start the programme and leave it to run for approx. 40 seconds.
4. Switch off the appliance.
5. Disconnect the appliance's mains plug from the power supply.

Cleaning the filter on the tap

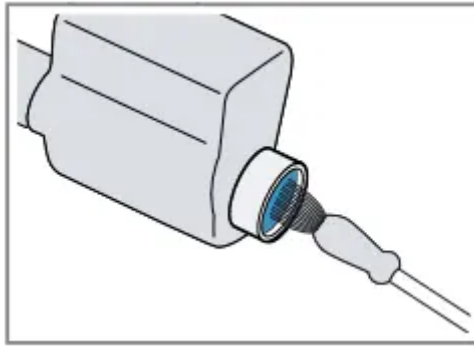
Note: Please read the information in the Safety → Page 4 and Preventing material damage → Page 11 sections to ensure that you use the appliance safely.

Requirement: The water inlet hose is empty.

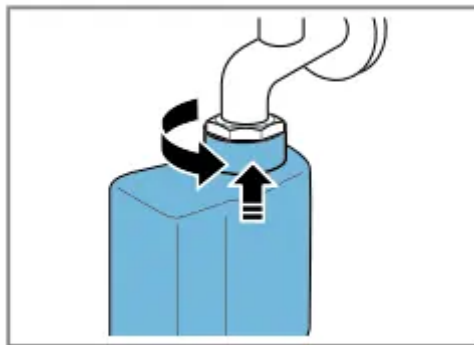
1. Remove the water inlet hose from the tap.



2. Clean the filter with a small brush.



3. Connect the water inlet hose and check for leaks.



Troubleshooting

You can rectify minor faults on your appliance yourself. Read the troubleshooting information before contacting after-sales service. This will avoid unnecessary costs.

WARNING


Risk of electric shock!



Improper repairs are dangerous.

- Repairs to the appliance should only be carried out by trained specialist staff.
- Only use genuine spare parts when repairing the appliance.
- If the power cord of this appliance is damaged, it must be replaced by the manufacturer, the manufacturer's Customer Service or a similarly qualified person in order to prevent any risk.

Error code / Fault display / Signal




Fault	Cause	troubleshooting
The display goes out and Start/Reload flashes.	Energy-saving mode is active	<ul style="list-style-type: none"> ▶ Press any button. <p>The symbol lights up again</p>
"E:36 / -10"	Drain pipe or water outlet hose is blocked.	▶ Clean the drain pipe and the water outlet hose.
	Drain pipe or water drain hose is caught or jammed.	▶ Ensure that the drain pipe and water drain hose are not kinked or trapped.
	Drain pump is blocked.	▶ → "Cleaning the drain pump", Page 43
	The water outlet hose is connected too high.	▶ Install the water outlet hose at a maximum height of 1 metre. → "Technical specifications", Page 59
"E:36 / -25 / -26"	Drain pump is blocked.	▶ → "Cleaning the drain pump", Page 43
"E:60 / -2B"	The unbalanced load detection system has interrupted the spin cycle because the laundry is unevenly distributed.	<ul style="list-style-type: none"> ▶ Redistribute the laundry in the drum. <p>Note: Where possible, mix large and small items in the drum. Different sized items of laundry distribute themselves better during the spin cycle.</p>
	The water pressure is low.	No remedial action possible.
	The filter in the water inflow is blocked.	▶ Clean the water inflow filter → Page 46.
	The tap is turned off.	▶ Turn on the tap
	The water inlet hose is kinked or jammed.	▶ Ensure that the water inlet hose is not kinked or jammed.
"E:35 / -10"	There is water in the base trough.	▶ Turn off the water tap.

		<ul style="list-style-type: none"> ▶ Call the after-sales service. → "Customer Service", Page 56
	The appliance is leaking.	<ul style="list-style-type: none"> ▶ Turn off the water tap. ▶ Call the after-sales service. → "Customer Service", Page 56
 lights up	The temperature is too high.	<ul style="list-style-type: none"> ▶ Wait until the temperature has dropped. ▶ → "Cancelling the programme", Page 39
	Water level is too high.	<ul style="list-style-type: none"> ▶ Start the Drain programme.
	Laundry is caught in the door.	<ol style="list-style-type: none"> 1. Open the door again. 2. Remove any trapped laundry. 3. Close the door. 4. Press Start/Reload to start the programme.
 flashes.	Door is not closed.	<ol style="list-style-type: none"> 1. Close the door. 2. Press Start/Reload to start the programme.
All other error codes.	Malfunction	<ul style="list-style-type: none"> ▶ Call the after-sales service. → "Customer Service", Page 56

Malfunctions

The appliance is not working.	The mains plug of the power cord is not plugged in.	▶ Connect the appliance to the power supply.
	The circuit breaker is faulty.	▶ Check the circuit breaker in the fuse box.
	There has been a power cut.	▶ Check whether the lighting in your kitchen or other appliances are working.
The programme does not start.	You have not pressed Start/ Reload.	▶ Press Start/Reload.
	Door is not closed.	<ol style="list-style-type: none"> 1. Close the door. 2. Press Start/Reload to start the programme.
	Childproof lock is activated.	▶ → "Deactivating the childproof lock", Page 40
	Finished in is activated.	▶ Check whether Finished in is activated. → "Buttons", Page 28
	Laundry is caught in the door.	<ol style="list-style-type: none"> 1. Open the door again. 2. Remove any trapped laundry. 3. Close the door. 4. Press Start/Reload to start the programme.
The door cannot be opened.	— — — is activated.	▶ Continue the programme by selecting Spin or Drain and pressing Start/Reload. → "Resuming the programme when the programme status is Rinse Hold", Page 39

	The temperature is too high.	<ul style="list-style-type: none"> ▶ Wait until the temperature has dropped. ▶ → "Cancelling the programme", Page 39
	Water level is too high.	▶ Start the Drain programme.
	Power failure.	▶ Open the door using the emergency release. → "Emergency release", Page 54
The water is not draining.	Drain pipe or water outlet hose is blocked.	▶ Clean the drain pipe and the water outlet hose.
	Drain pipe or water drain hose is caught or jammed.	▶ Ensure that the drain pipe and water drain hose are not kinked or trapped.
	Drain pump is blocked.	▶ → "Cleaning the drain pump", Page 43
	– – – is activated.	▶ Continue the programme by selecting Spin or Drain and pressing Start/Reload. → "Resuming the programme when the programme status is Rinse Hold", Page 39
The water is not draining.	The water outlet hose is connected too high.	▶ Install the water outlet hose at a maximum height of 1 metre. → "Technical specifications", Page 59
Water is not flowing in. Detergent is not being dispensed.	You have not pressed Start/ Reload.	▶ Press Start/Reload.
	The filter in the water inflow is blocked.	▶ Clean the water inflow filter → Page 46.
	The tap is turned off.	▶ Turn on the tap.
	The water inlet hose is kinked or jammed.	▶ Ensure that the water inlet hose is not kinked or jammed.
		▶ Not a fault – no action required.

<p>The spin cycle runs several times.</p>	<p>The unbalanced load detection system eliminates an imbalance by repeatedly redistributing the laundry</p>	<p>Note: When loading, where possible, place large and small items of laundry together in the drum. Different sized items of laundry distribute themselves better during the spin cycle.</p>
<p>The programme duration changes during the wash cycle.</p>	<p>The programme operation is optimised electronically. This may change the programme duration.</p>	<p>▶ Not a fault – no action required.</p>
	<p>The unbalanced load detection system eliminates an imbalance by repeatedly redistributing the laundry.</p>	<p>▶ Not a fault – no action required.</p> <p>Note: When loading, where possible, place large and small items of laundry together in the drum. Different sized items of laundry distribute themselves better during the spin cycle.</p>
	<p>Foam detection system switches on a rinse cycle if foam build-up is too high.</p>	<p>▶ Not a fault – no action required.</p>
<p>No water is visible in the drum.</p>	<p>Water is below the visible area.</p>	<p>▶ Not a fault – no action required.</p>
<p>Drum jerks after the programme starts.</p>	<p>This is caused by an internal motor test.</p>	<p>▶ Not a fault – no action required.</p>
<p>Residual water is present in the compartment .</p>	<p>Insert in compartment  is blocked.</p>	<p>▶ → "Cleaning the detergent drawer", Page 42</p>
<p>Vibrations and movement of the appliance whilst spinning.</p>	<p>Appliance is not correctly aligned.</p>	<p>▶ Aligning the appliance</p>
	<p>The appliance feet are not fixed.</p>	<p>▶ Secure the appliance feet. Aligning the appliance</p>

<p>Vibrations and movement of the appliance whilst spinning.</p>	<p>Transit bolts have not been removed.</p>	<p>► Removing the transit bolts</p>
<p>Drum does not turn, water does not flow in.</p>	<p>Load detection is active.</p>	<p>► Not a fault – no action required.</p> <p>Note: The load detection can take up to two minutes.</p>
<p>Heavy foam build-up</p>	<p>Detergent dosage is too high.</p>	<p>► Immediate measure: Mix one tablespoon of fabric softener with 0.5 litres of water and pour the mixture into the left-hand compartment (not for outdoor clothing, sportswear or items stuffed with down).</p> <p>► Reduce the amount of detergent for the next washing cycle with the same load.</p>

Noise

Rushing, hissing noise.	Water is flushed under pressure into the detergent drawer.	▶ Not a fault – normal operating noise.
Loud noises during the spin cycle.	Appliance is not correctly aligned.	▶ Aligning the appliance
	The appliance feet are not fixed.	▶ Secure the appliance feet. Aligning the appliance
	Transit bolts have not been removed.	▶ Removing the transit bolts
Banging noises, rattling in the drain pump.	Foreign bodies have got into the drain pump.	▶ → "Cleaning the drain pump", Page 43
Slurping, rhythmical suction noise.	The drain pump is active, the detergent solution is pumped out.	▶ Not a fault – normal operating noise.

Problem with results

Creasing.	The spin speed is too high.	▶ The next time you run a wash cycle, set a lower spin speed.
	The load is too large.	▶ The next time you run a wash cycle, reduce the amount of laundry being loaded.
Creasing.	The wrong programme is selected for the type of fabric.	▶ Select the programmes that are suitable for the type of fabric. → "Programmes", Page 29
Detergent or fabric softener drips off the seal and collects on the door or in the seal fold.	Too much detergent/fabric softener in the detergent drawer.	▶ When dosing liquid detergent and fabric softener, observe the marking in the detergent drawer and do not dose above this.
The spin result is not satisfactory. The laundry is too wet/ too damp	A low spin speed is selected.	▶ The next time you run a wash cycle, set a higher spin speed. ▶ Start the Spin programme.
	The unbalanced load detection system has interrupted the spin cycle because the laundry is unevenly distributed.	▶ Redistribute the laundry in the drum. Note: Where possible, mix large and small items in the drum. Different sized items of laundry distribute themselves better during the spin cycle. ▶ Start the Spin programme.
Detergent residue on the damp washing.	Detergents may contain water-insoluble substances that deposit on the laundry.	▶ Start the Rinse programme.
Detergent residue on the dry laundry.	Detergents may contain water-insoluble substances that deposit on the laundry.	▶ Brush out the laundry after washing and drying.

Leakage

Water is leaking out at the water inlet hose.	Water inlet hose is not correctly/securely connected.	<ol style="list-style-type: none">1. Connect the water supply hose correctly. Connecting the water inlet hose2. Tighten the screw connection
Water is leaking out at the water outlet hose.	The water outlet hose is damaged.	▶ Replace the damaged water outlet hose.
	Water outlet hose is not connected correctly.	▶ Connect the water outlet hose correctly. Water outlet connection types

Odours

Odours have formed in the appliance.	Humidity and detergent residue may promote the formation of bacteria.	<ul style="list-style-type: none">▶ → "Cleaning the drum", Page 42▶ If you are not using the appliance, leave the door and detergent drawer open so that residual water can evaporate.
---	---	---

Warning

This content is compiled from multiple sources and is provided for reference purposes only. It may not be complete or fully applicable to all situations. If you are unable to resolve your issue, please contact the product manufacturer or an authorized service provider for official support.