

Product Registration

Record Your Model and Serial Numbers

Record in the space provided below the model and serial numbers. On all models, the serial plate is located on the outside of the cabinet.

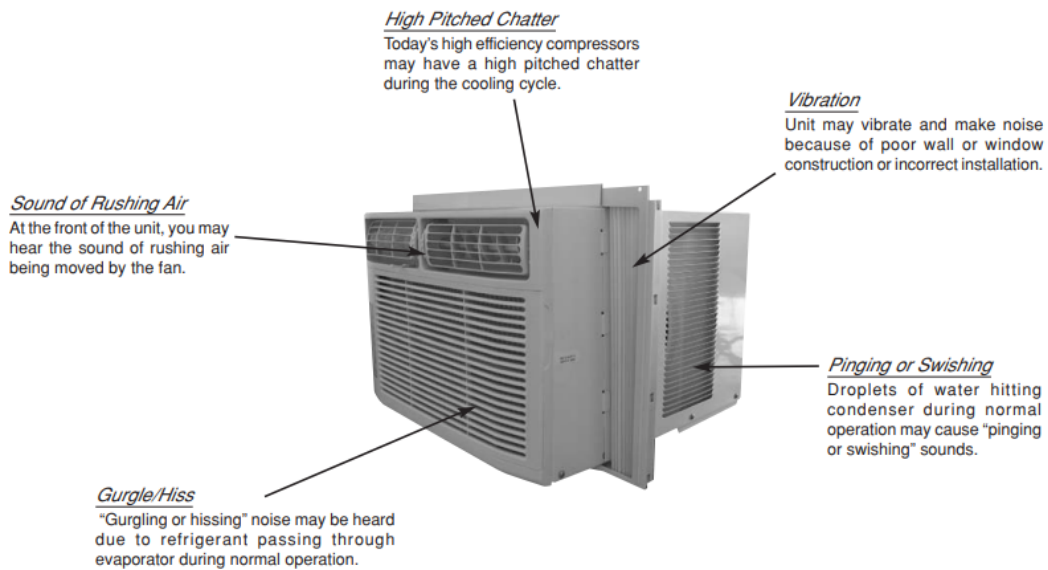
Model No.

Serial No.

Register Your Product

The self-addressed PRODUCT REGISTRATION CARD should be filled in completely, signed and returned to the Frigidaire Company

Normal Sounds



Operation of Current Device

The power supply cord contains a current device that senses damage to the power cord. To test your power supply cord do the following:

1. Plug in the Air Conditioner.
2. The power supply cord will have TWO buttons on the plug head. Press the TEST button. You will notice a click as the RESET button pops out.
3. Press the RESET button. Again you will notice a click as the button engages.

4. The power supply cord is now supplying electricity to the unit. (On some products this is also indicated by a light on the plug head).

Key Features (On some model)

Multi-Step Fan and Cooling Speeds:

90 distinct fan settings give the ultimate in airflow and noise control.

Clean Air: An ionic air filtration system that substantially increases the air-cleaning efficiency over conventional air filters.

The Clean Air button on the air conditioner Touch Pad ONLY activates this feature.

Air Conditioner features

ELECTRONIC CONTROL OPERATING INSTRUCTIONS

Before you begin, thoroughly familiarize yourself with the control panel and remote as shown below and all its functions, then follow the symbol for the functions you desire. The unit can be controlled by the touch pad alone or with the remote.

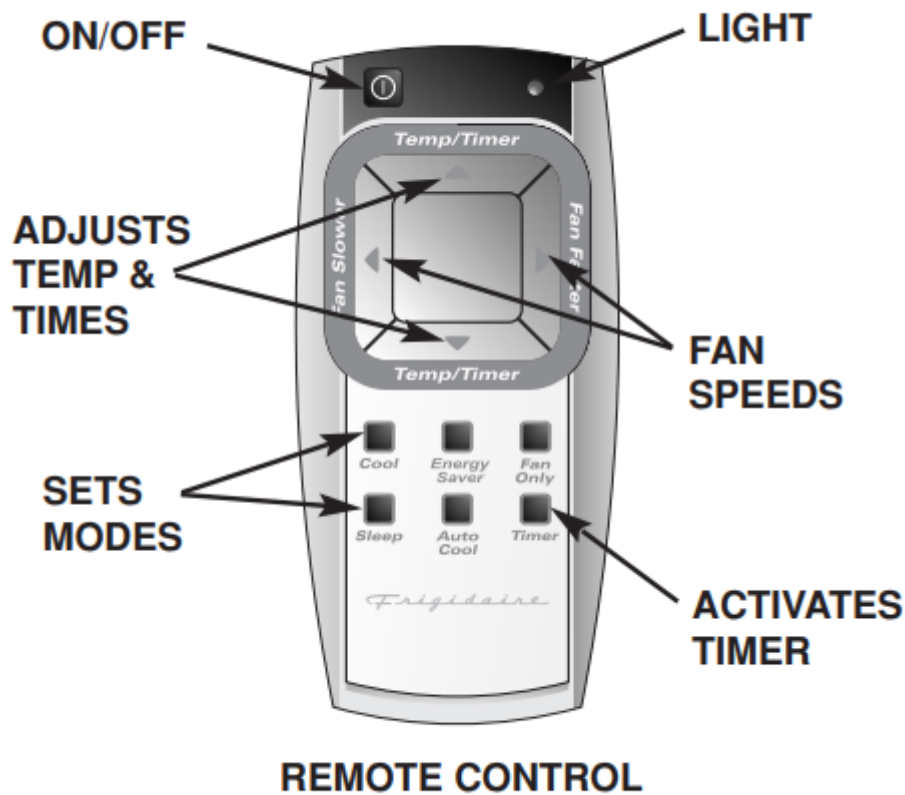
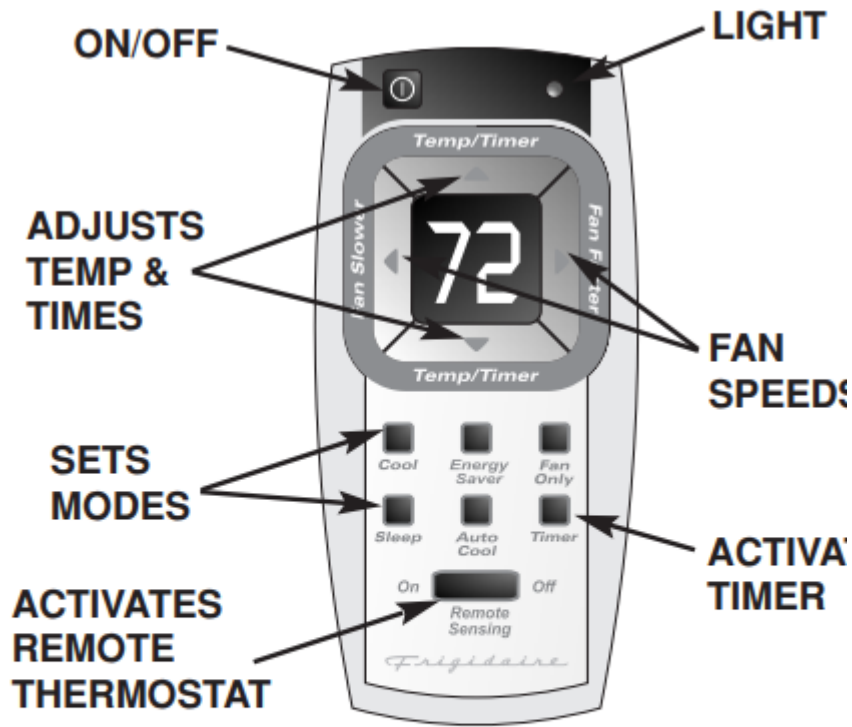


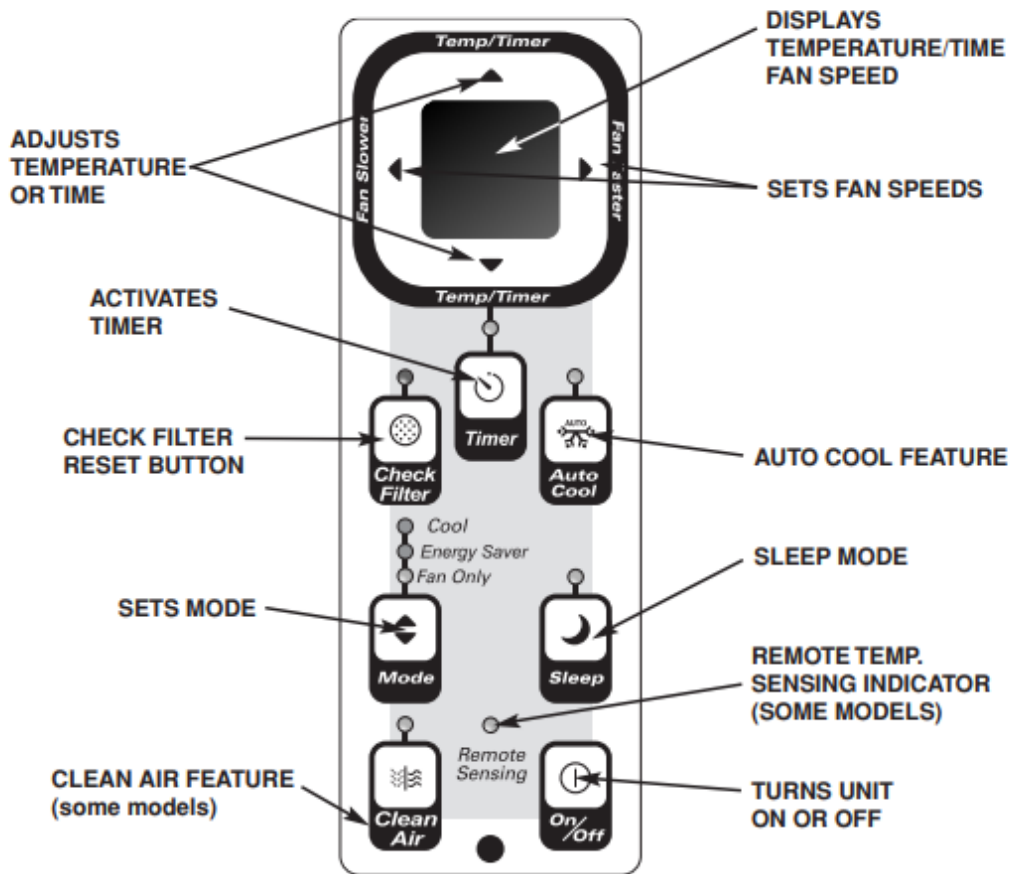
Fig. "A"



**REMOTE CONTROL
w/DISPLAY &
REMOTE SENSING
BUTTON**

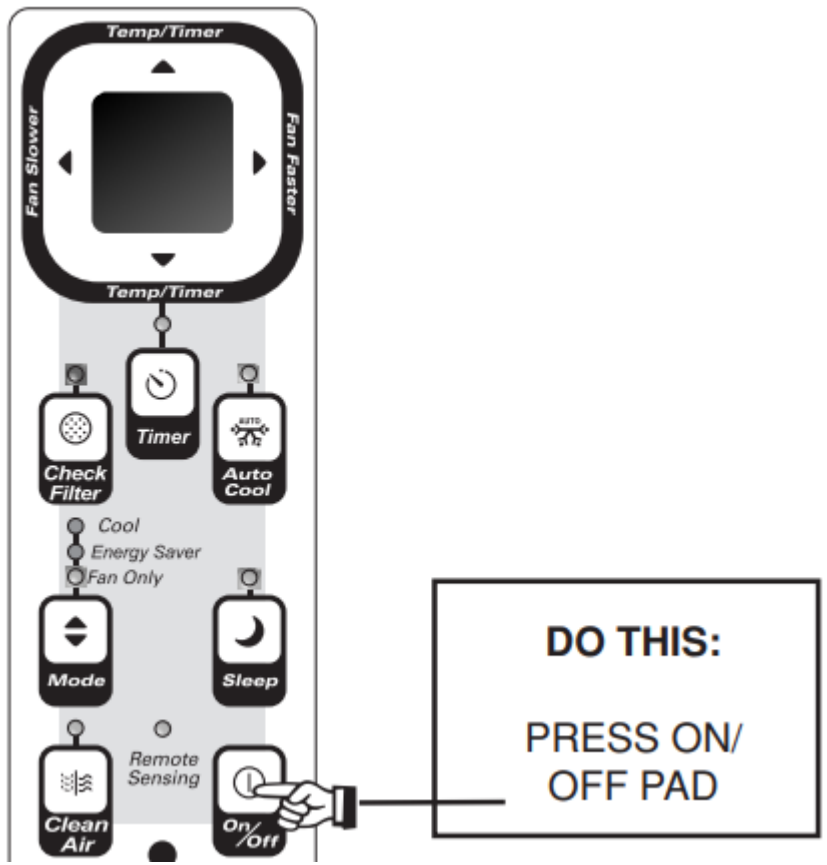
Fig. "B"





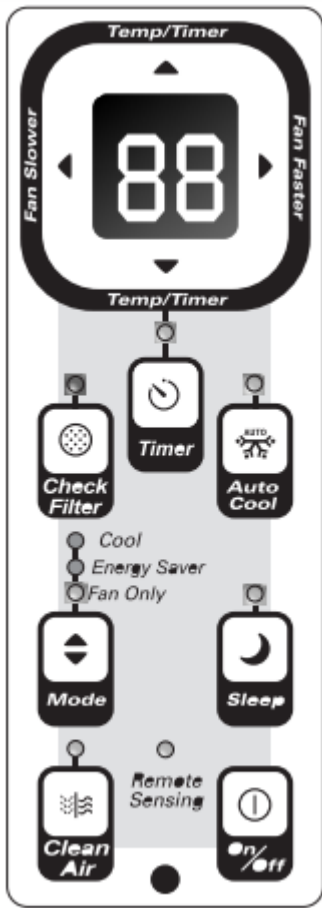
TOUCH PAD

TO TURN UNIT ON:



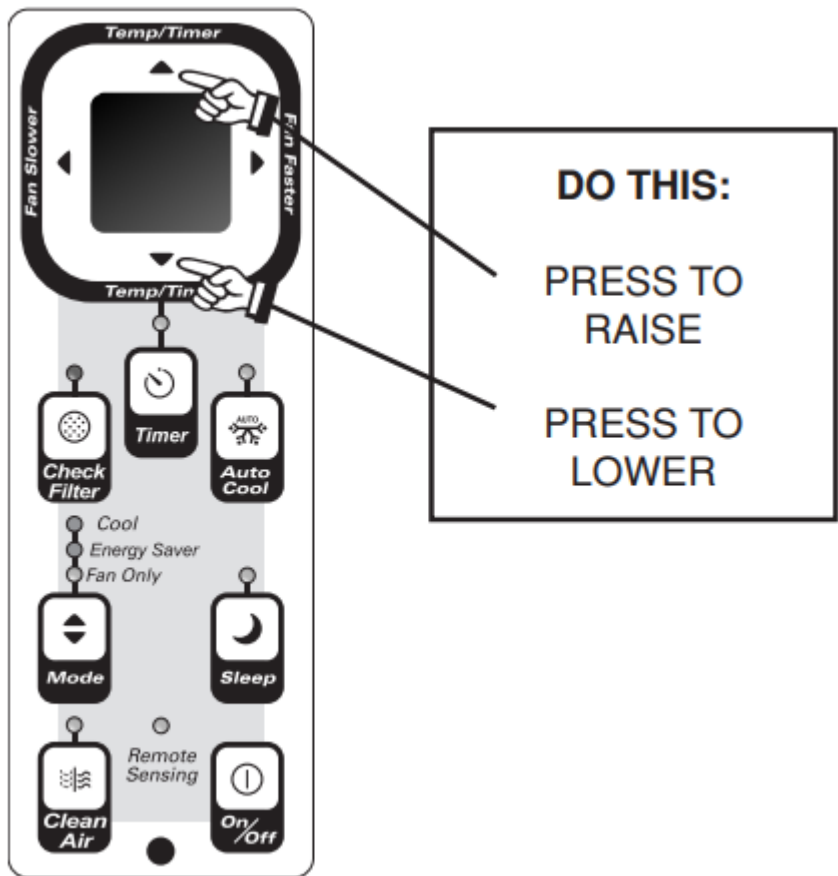
YOU WILL SEE:





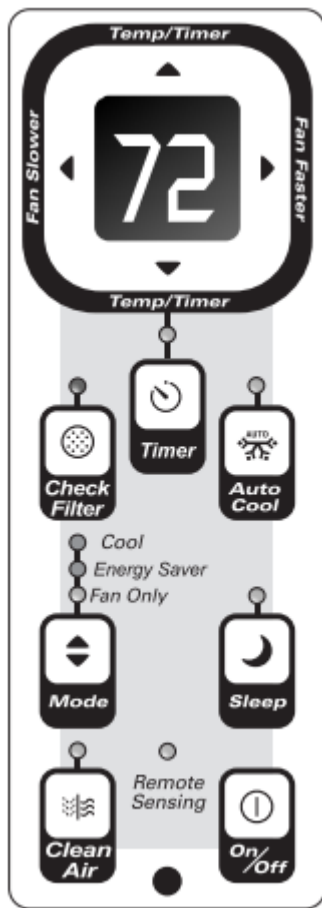
TO CHANGE TEMPERATURE SETTING:





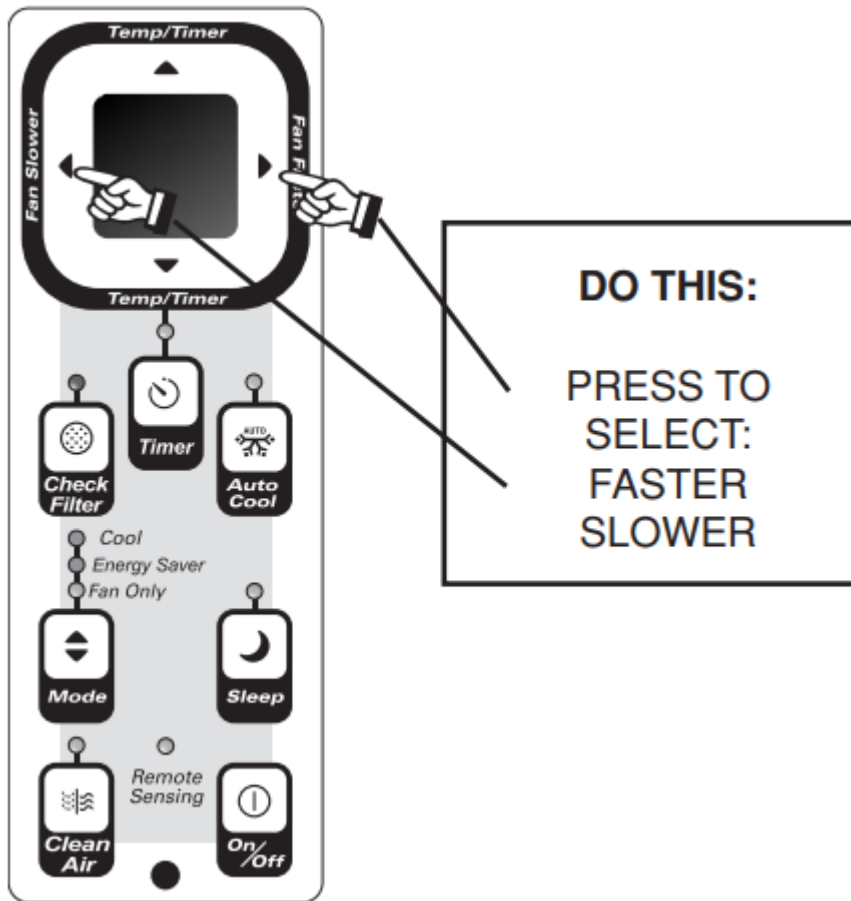
YOU WILL SEE:





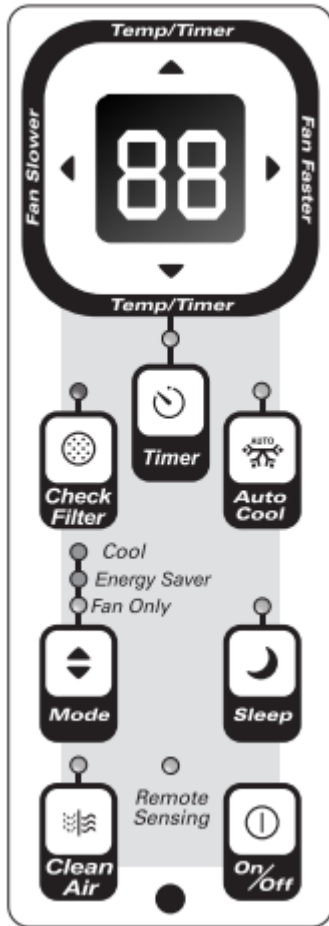
TO ADJUST FAN SPEEDS:





YOU WILL SEE:

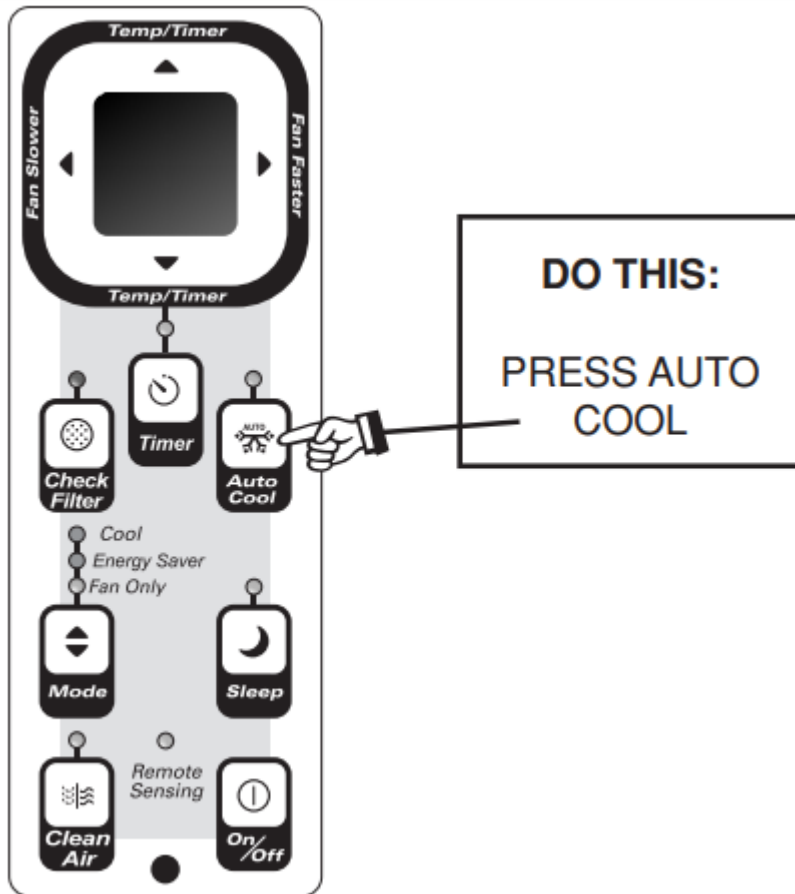




A 2 Digit Display is used to indicate the Fan Speed setting, from 10 through 99. When the “SLOWER” button is pressed the motor speed will slow down at multiple intervals (90 distinct settings), to a minimum setting of 10. To speed the motor up, press the “FASTER” button. The speed will increase at multiple intervals to a maximum setting of 99. After 5 seconds the control will automatically change back to displaying the set temperature.

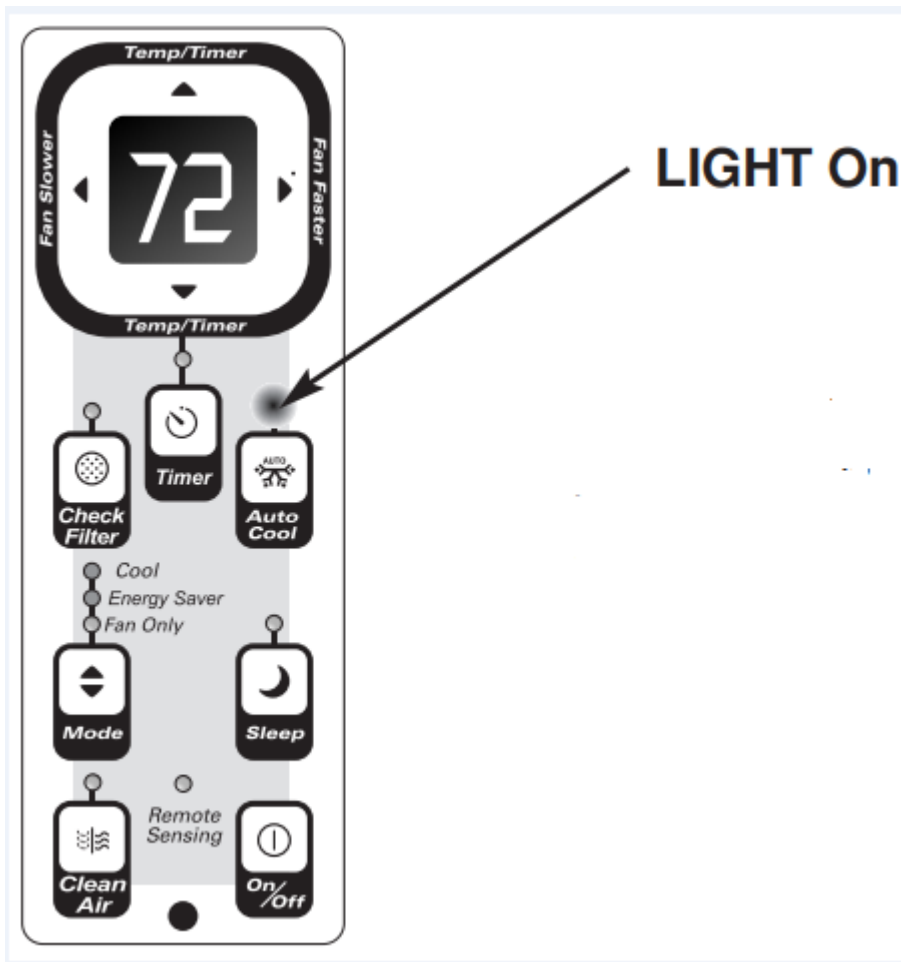
TO USE AUTO COOL FEATURE:





YOU WILL SEE:

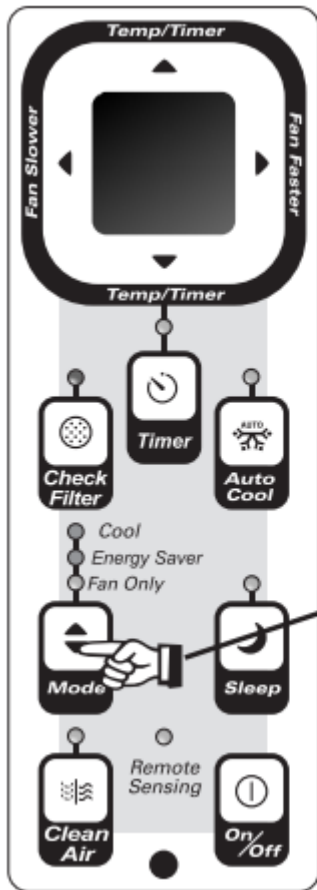




LIGHT On

TO OPERATE ON FAN ONLY





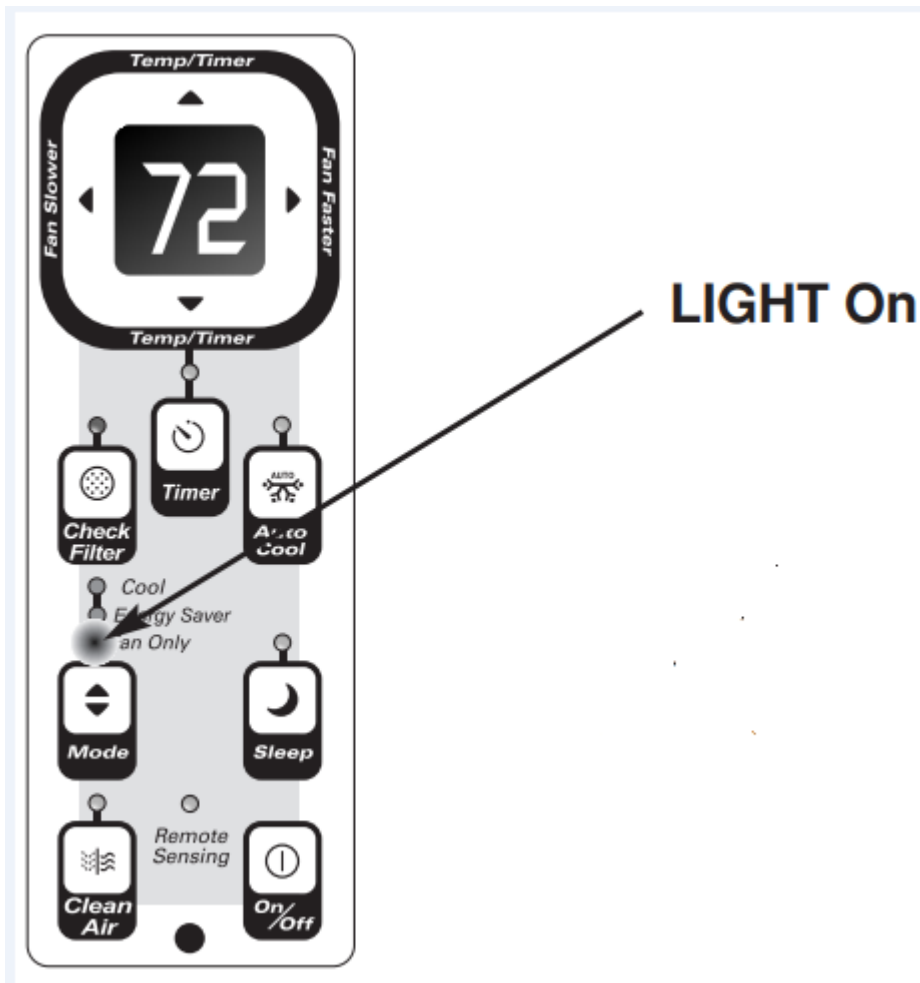
DO THIS:

PRESS MODE
BUTTON

CHOOSE FAN
ONLY

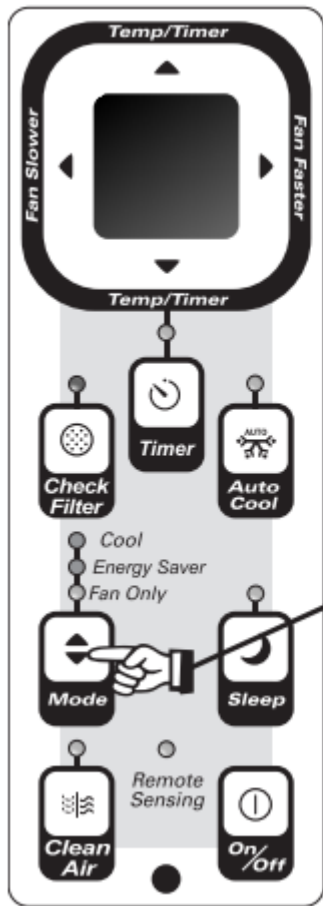
YOU WILL SEE:





TO USE THE ENERGY SAVER FEATURE:





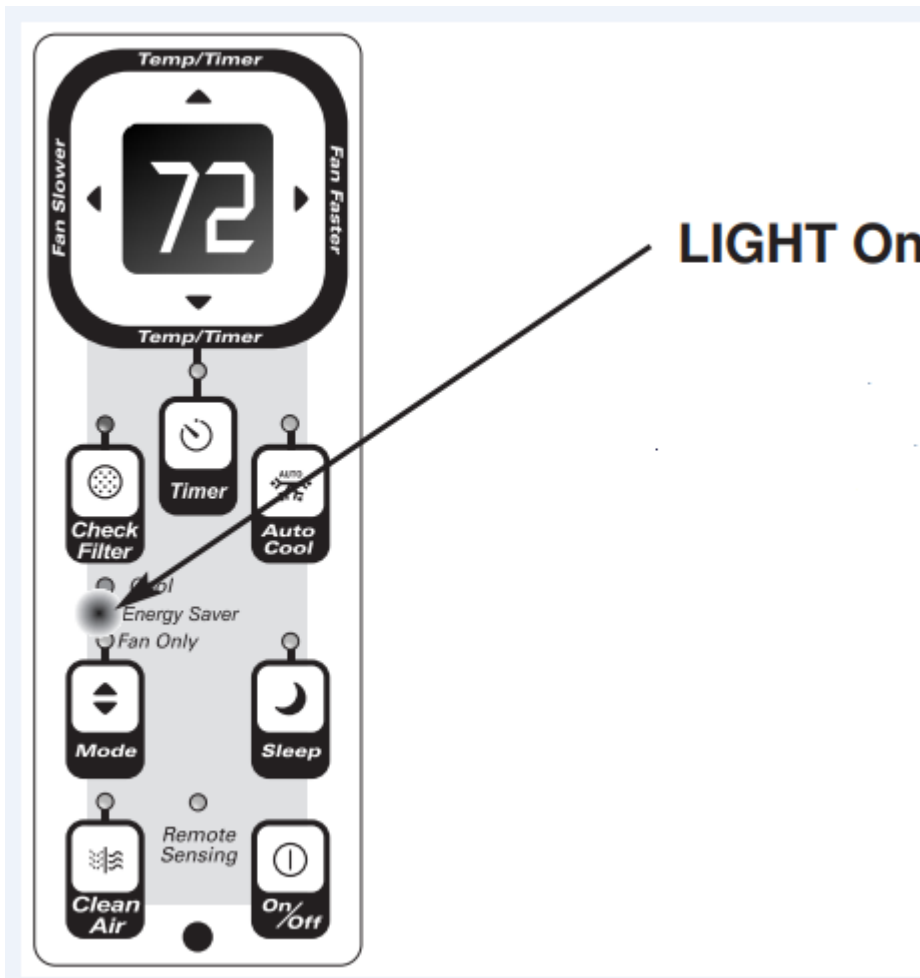
DO THIS:

PRESS MODE
BUTTON

CHOOSE
ENERGY SAVER

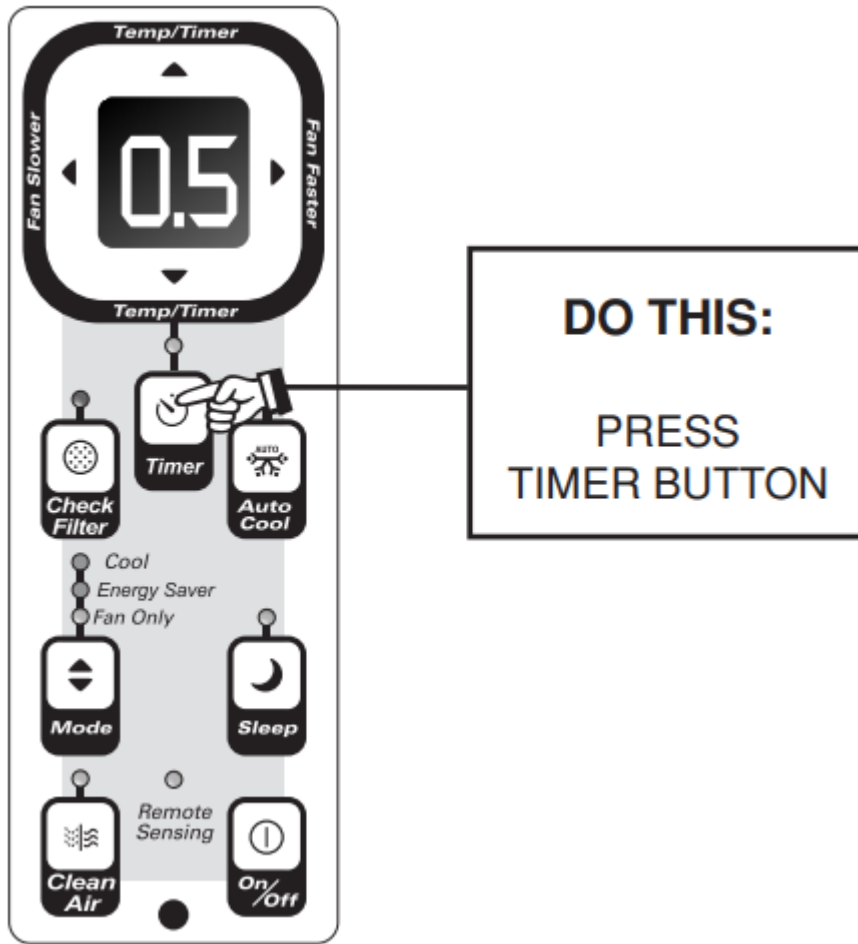
YOU WILL SEE:





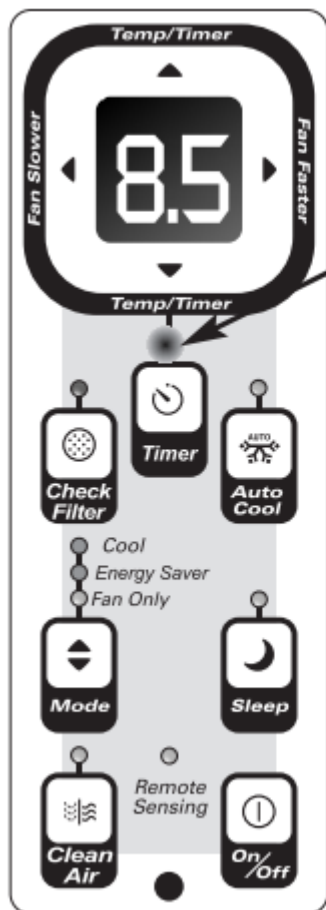
TIMER: DELAY STOP / START FEATURE





YOU WILL SEE: TIMER SETTING

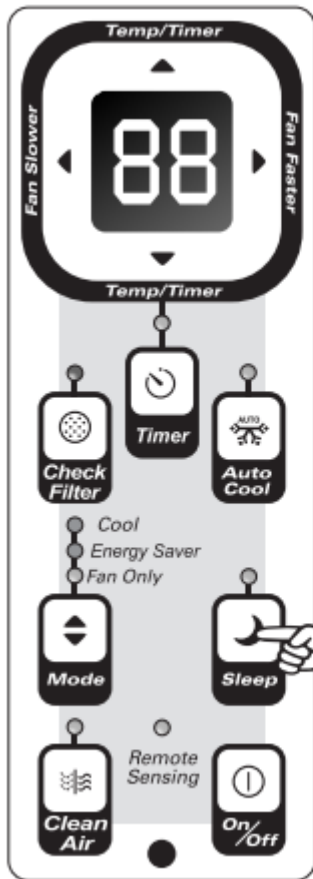




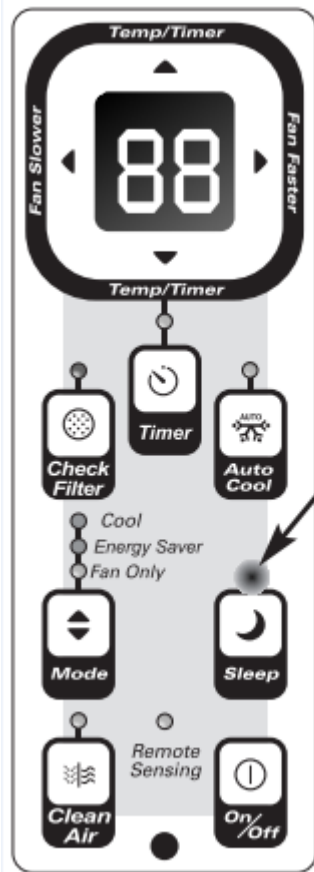
LIGHT On

SLEEP FEATURE:





DO THIS:
PRESS SLEEP
BUTTON

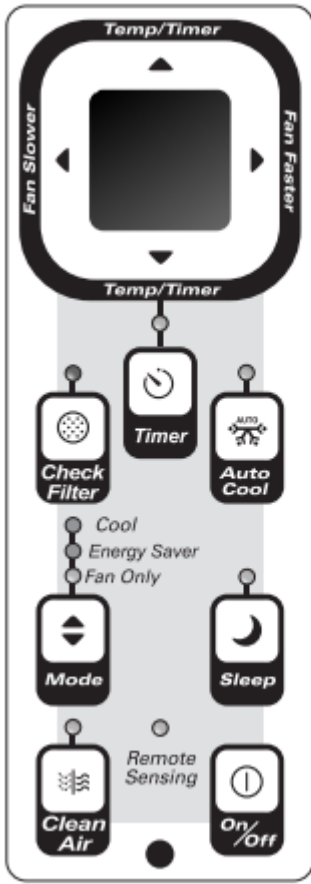


LIGHT On

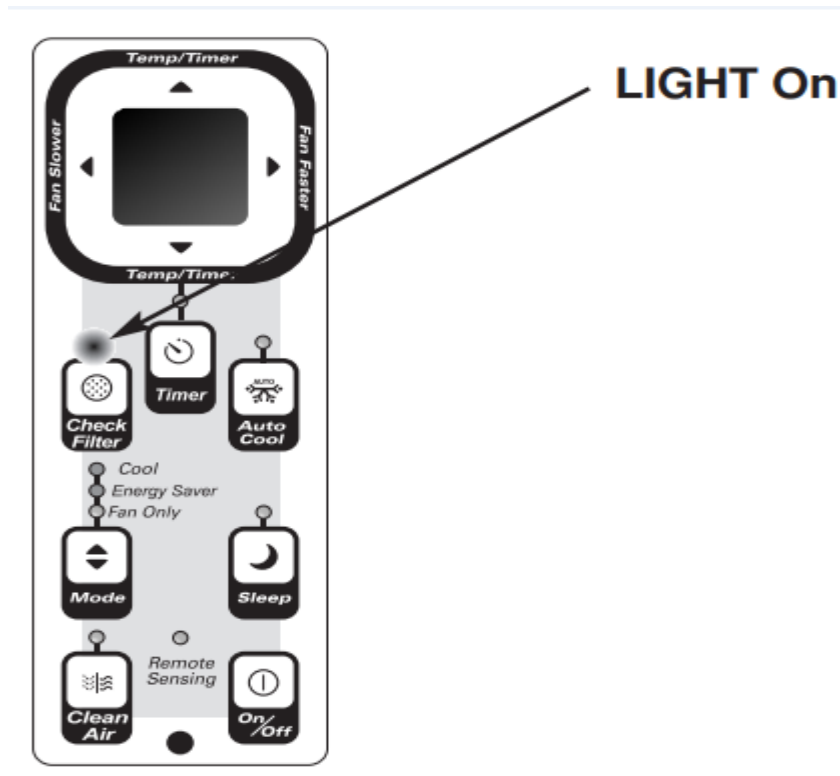
YOU WILL SEE:



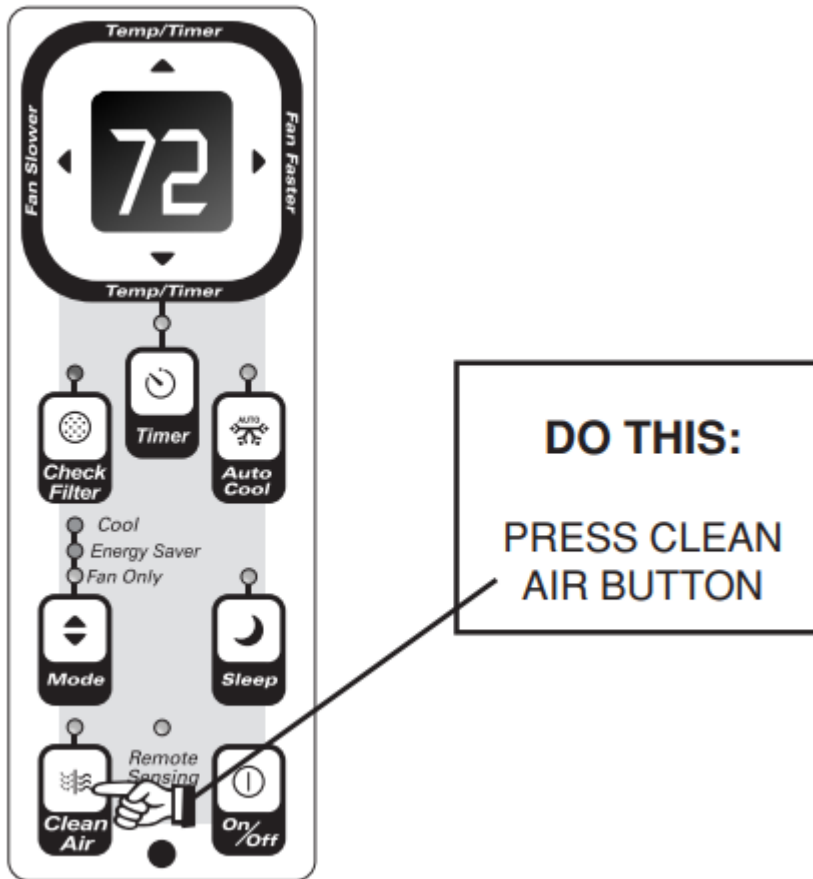
CHECK FILTER FEATURE:



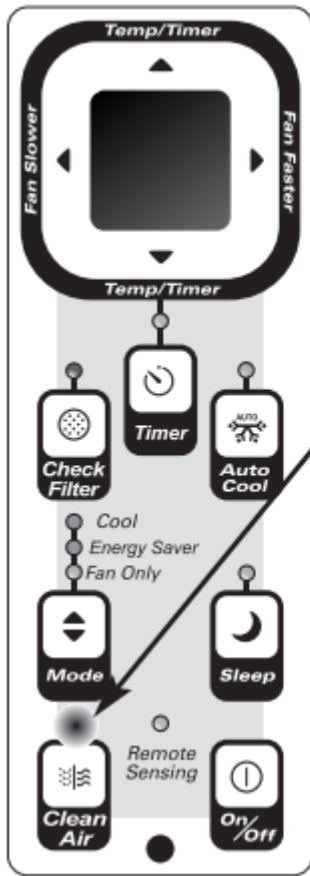
YOU WILL SEE:



CLEAN AIR FEATURE (on some models):



YOU WILL SEE:



LIGHT On

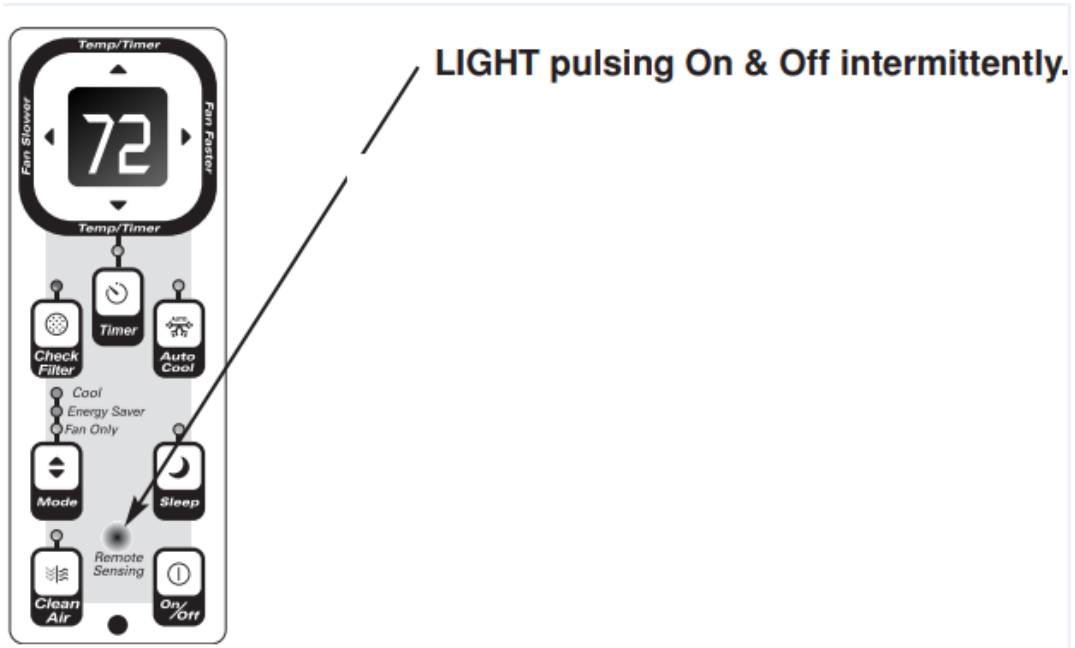
REMOTE SENSING FEATURE (on some models):



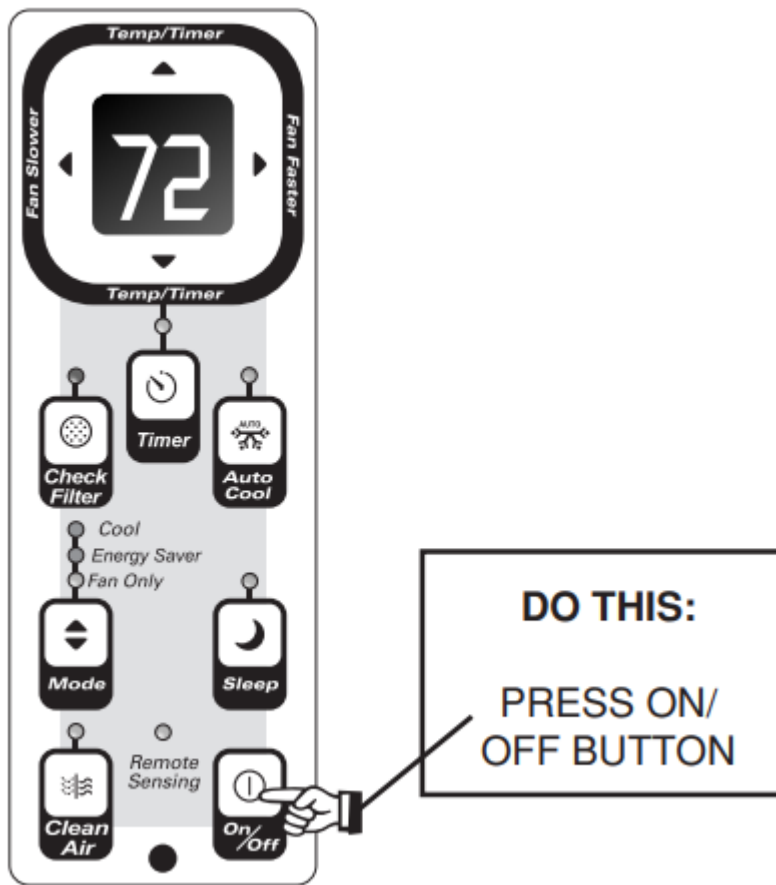
DO THIS:
PRESS REMOTE SENSING BUTTON ON



YOU WILL SEE:



TO TURN UNIT OFF:



ADDITIONAL THINGS YOU SHOULD KNOW



Now that you have mastered the operating procedure, here are more features in your control that you should become familiar with.

- The “Cool “ circuit has an automatic 3 minute time delayed start if the unit is turned off and on quickly. This prevents overheating of the compressor and possible circuit breaker tripping. The fan will continue to run during this time.
- The control will maintain the set temperature within 2 degrees Fahrenheit, between 60F and 90F degrees.
- The control is capable of displaying temperature in degrees Fahrenheit or degrees Celsius. To convert from one to the other and back, press and hold the “TEMP/TIMER” Up (^) and Down (v) buttons together for 3 seconds.

Fresh Air Vent Control (On some models)

The Fresh Air Vent allows the air conditioner to:

1. Recirculate inside air - Vent Closed (see Fig. 1)
2. Draw fresh air into the room - Vent Open (see Fig. 2)
3. Exchange air from the room and draws fresh air into the room - Vent and Exhaust Open (see Fig. 3)

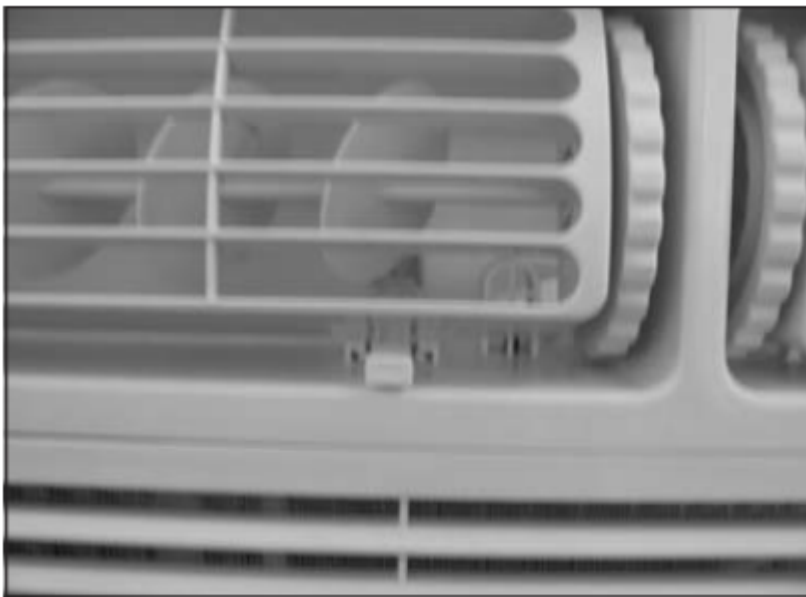


Figure 1 (VENT CLOSED)



Figure 2 (VENT OPEN)

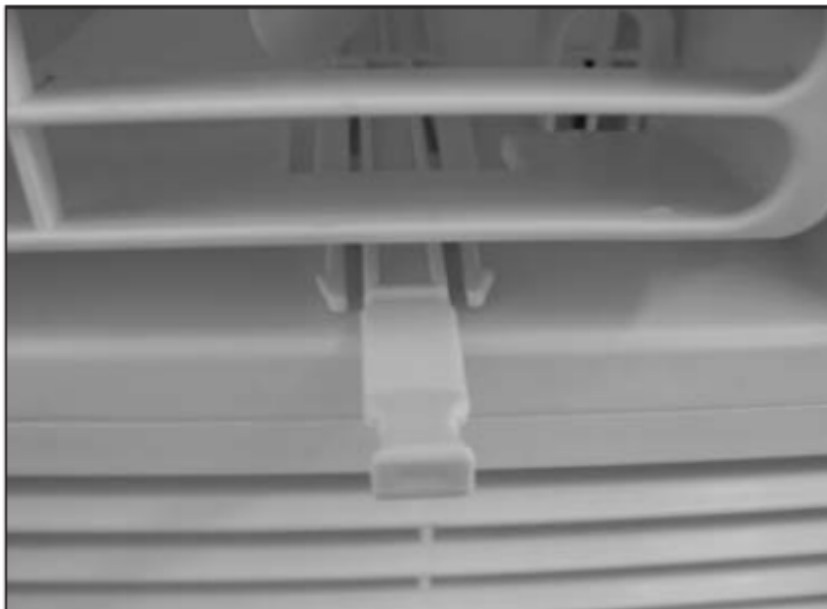


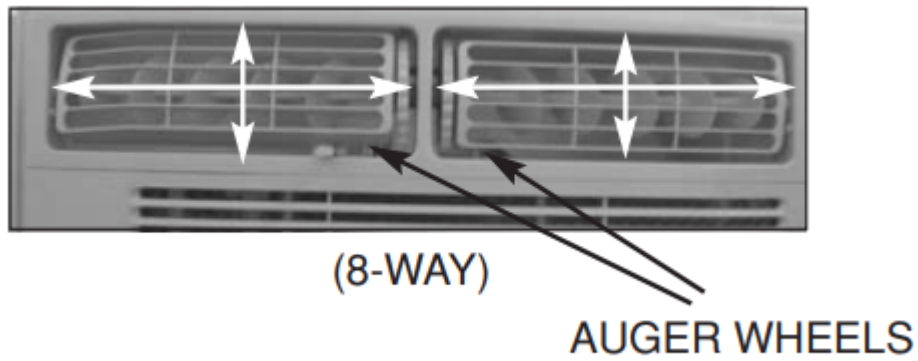
Figure 3 (VENT & EXHAUST OPEN)

Air Directional Louvers

Air directional louvers control air flow direction. Your air conditioner has the louver type described below.

Auger Type

The louvers will allow you to direct the air flow Up or Down and Left or Right throughout the room as needed. Rotate the Auger Wheels until the desired Left/Right direction is obtained. Pivot horizontal louvers until the desired Up/Down direction is obtained.



Care and Cleaning



Air Filter Cleaning

The air filter should be checked at least once a month to see if cleaning is necessary. Trapped particles in the filter can build up and cause an accumulation of frost on the cooling coils.

- Push the vent handle to the Vent Closed position (where applicable).
- Open the front panel.
- Grasp the filter by the center and pull up and out.
- Wash the filter using liquid dishwashing detergent and warm water. Rinse filter thoroughly. Gently shake excess water from the filter. Be sure filter is thoroughly dry before replacing.
- Or, instead of washing you may vacuum the filter clean.

Cabinet Cleaning

- Be sure to unplug the air conditioner to prevent shock or fire hazard. The cabinet and front may be dusted with an oil-free cloth or washed with a cloth dampened in a solution of warm water and mild liquid dishwashing detergent. Rinse thoroughly and wipe dry.
- Never use harsh cleaners, wax or polish on the cabinet front.
- Be sure to wring excess water from the cloth before wiping around the controls. Excess water in or around the controls may cause damage to the air conditioner.
- Plug in air conditioner.

Winter Storage

If you plan to store the air conditioner during the winter, remove it carefully from the window according to the installation instructions. Cover it with plastic or return it to the original carton.

Energy Saving Ideas



- Do not block airflow inside with blinds, curtains, or furniture; or outside with shrubs, enclosures, or other buildings.
- The capacity of the room air conditioner must fit the room size for efficient and satisfactory operation.
- Install the room air conditioner on the shady side of your home. A window that faces north is best because it is shaded most of the day.
- Close the fireplace damper, floor, and wall registers so cool air does not escape up the chimney and into the ductwork.
- Keep blinds and drapes in other windows closed during the sunniest part of the day.
- Clean the air filter as recommended in the section “Care and Cleaning.”

- Proper insulation and water stripping in your home will help keep warm air out and cool air in.
- External house shading with trees, plants, or awnings will help reduce the air conditioner's workload.
- Operate heat-producing appliances such as ranges, washers, dryers, and dishwashers during the coolest part of the day.



Avoid Service Checklist



OCCURRENCE	SOLUTION
Air conditioner will not operate	Wall plug disconnected. Push plug firmly into wall outlet
	Plug Current Device Tripped. Press the RESET button.
	House fuse blown or circuit breaker tripped. Replace fuse with time delay type or reset circuit breaker.
	Control is OFF. Turn Control ON and set to desired setting.
Air from unit does not feel cold enough.	Room temperature below 60°F (16°C). Cooling may not occur until room temperature rises above 60°F (16°C).
	Temperature sensing element touching cold coil, located behind air filter. Straighten away from coil
	Reset to a Lower temperature.
	Compressor shut-off by changing modes. Wait approximately 3 minutes and listen for compressor to restart when set in the COOL mode.
Air from unit does not feel cold enough.	Room temperature below 60°F (16°C). Cooling may not occur until room temperature rises above 60°F (16°C).
	Temperature sensing element touching cold coil, located behind air filter. Straighten away from coil.
	Reset to a Lower temperature
	Compressor shut-off by changing modes. Wait approximately 3 minutes and listen for compressor to restart when set in the COOL mode.



Air conditioner cooling, but room is too warm - ice forming on cooling coil behind decorative front.	Outdoor temperature below 60°F (18°C). To defrost the coil, set FAN ONLY Mode
	Air filter may be dirty. Clean filter. Refer to Care and Cleaning section. To defrost, set to FAN ONLY Mode
	Temperature is set too Low for night-time cooling. To defrost the coil, set to FAN ONLY Mode. Then, set Temperature to a Higher setting.
Air conditioner cooling, but room is too warm - NO ice forming on cooling coil behind decorative front.	Dirty air filter - air restricted. Clean air filter. Refer to Care and Cleaning section.
	Temperature is set too High. Set temperature to a Lower setting.
	Air directional louvers positioned improperly. Position louvers for better air distribution
	Front of unit is blocked by drapes, blinds, furniture, etc. - restricts air distribution. Clear blockage in front of unit.
	Doors, windows, registers, etc. open - cold air escapes. Close doors, windows, registers, etc
	Unit recently turned on in hot room. Allow additional time to remove "stored heat" from walls, ceiling, floor and furniture.
Air conditioner turns on and off rapidly	Dirty air filter - air restricted. Clean air filter.
	Outside temperature extremely hot. Set FAN speed to a faster setting to bring air past cooling coils more frequently
Noise when unit is cooling.	Air movement sound. This is normal. If too loud, set to a slower FAN setting
	Window vibration - poor installation. Refer to installation instructions or check with installer



Water dripping INSIDE when unit is cooling.	Improper installation. Tilt air conditioner slightly to the outside to allow water drainage. Refer to installation instructions - check with installer.
Water dripping OUTSIDE when unit is cooling.	Unit removing large quantity of moisture from humid room. This is normal during excessively humid days.
Remote Sensing Deactivating Prematurely (Some Models).	<ul style="list-style-type: none"> • Remote control not located within range. Place remote control within 20 feet & 180°, radius of the front of the unit.
	<ul style="list-style-type: none"> • Remote control signal obstructed. Remove obstruction
Room Too Cold.	<ul style="list-style-type: none"> • Set temperature too low. Increase set temperature.
	<ul style="list-style-type: none"> • Remote Sensing activated (on some models) and remote control located in Hot Spot - Relocate remote control or deactivate remote sensing.

Warning

This content is compiled from multiple sources and is provided for reference purposes only. It may not be complete or fully applicable to all situations. If you are unable to resolve your issue, please contact the product manufacturer or an authorized service provider for official support.

