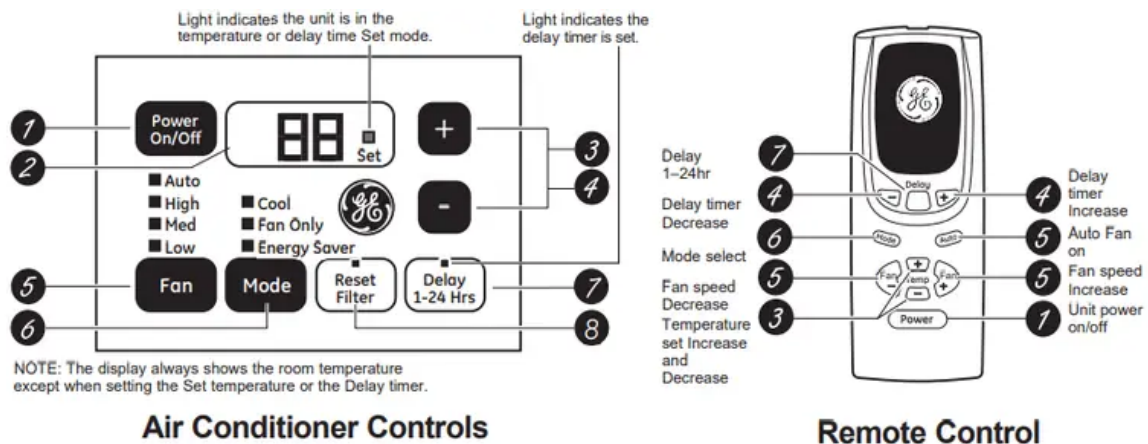


## USING THE AIR CONDITIONER

### Controls

Features and appearance will vary.





Lights below the touch pads on the air conditioner control panel indicate the selected settings





### Controls

1. Power Pad: Turns air conditioner on and off. When turned on, the display will show the room temperature.
2. Display: Shows the room temperature or time remaining on the Delay timer. Shows the Set temperature while setting the temperature in Cool or Energy Saver modes.
3. Temp Increase + /Decrease – Pads: Use to set temperature when in Cool or Energy Saver mode. The Set light will turn on while setting..
4. Delay Increase + /Decrease – Pads: Each touch of the Increase ▲ / Decrease ▼ pads on the unit or the Increase + / Decrease — pads on the remote control will set the delay time when using the Delay 1—24hr timer. The Set light will turn on while setting.
5. Fan Speed Pad: Use to set the fan speed to Low, Med, High Auto on the unit. NOTE: On the remote control, use the fan speed Increase + / Decrease — pads to set the fan speeds to Low. Med or High. Use the Auto pad to turn Auto fan on.
6. Mode Pad: Use to set the air conditioner to Cool, Energy Saver or Fan Only mode.
7. Delay Pad: Delay ON—Whern the air conditioner is off. it can be set to automatically come on in 1 to 24 hours at its previous mode and fan settings. Delay OFF—When the air conditioner is on. it can be set to automatically tum off in 1 to 24 hours.

How to set:

- Press the Delay 1—24hr pad on the unit or the Delay pad on the remote control. Each touch of the Increase  / Decrease  pads on the unit or the Increase + / Decrease — pads on the remote control will set the timer in 1-hour intervals. The Set light will turn on while setting.
- To review the remaining time on the Delay 1-24hr timer. press the Delay 1—24hr pad on the unit or the Delay pad on the remote control. Use the Increase  / Decrease  pads on the unit or the Increase + / Decrease — pads on the remote control to set a new time if desired.
- To cancel the timer. press the Delay 1—24hr pad until the light on the Delay 1-24hr pad goes off.

8. Filter Reset Pad: LED will turn on when fan has accumulated 250 hours of run time as a reminder to clean filter. Press Reset Filter to turn off the LED and reset the accumulated run time.

Note: The default temperature reading on the display is degree Fahrenheit ( °F). To change the display to degree Celcius (°C), press the Temp Increase  and Temp Decrease  buttons together and hold for 3 seconds. Repeat the process to change back to degree Fahrenheit (°F)

## Using the Air Conditioner



### Do Not Operate in Freezing Outdoor Conditions

- This cool-only air conditioner was not designed for freezing outdoor conditions. It must not be used when the outdoor temperature is below freezing (32°F)

### Remote Control

- To ensure proper operation, aim the remote control at the signal receiver on the air conditioner.
- Make sure nothing is between the air conditioner and the remote control that could block the signal.
- The remote control signal has a range of up to 20 feet.
- Make sure batteries are fresh and installed indicated on the remote control.
- Remote contains a magnet allowing it to attach to metal surfaces.

## Cool Mode

- Use the Cool Mode at Low, Med, High or Speed for cooling. Use the Temperature Increase  / Decrease  pads to set the desired temperature between 64°F and 86°F in 1°F increments.
- An electronic thermostat is used to maintain the room temperature. The compressor will cycle on and off to keep the room at the set level of comfort. Set the thermostat at a lower number and the indoor air will become cooler. Set the thermostat at a higher number and the indoor air will become warmer.
- NOTE: If the air conditioner is off and is then turned on while set to a Cool setting or if turned from a fan setting to a Cool setting, it may take approximately 3 minutes for the compressor to start and cooling to begin.
- Cooling Descriptions
  - For Normal Cooling—Select the Cool mode and High or Med fan with a middle set temperature.
  - For Maximum Cooling—Select the Cool mode and High fan with a lower set temperature.
  - For Quieter and Nighttime Cooling—Select the Cool mode and Low fan with a middle set temperature.

## Energy Saver Mode

- This mode optimizes the cooling power of your air conditioner, thereby saving you energy. Once the set point temperature has been reached, the fan will cycle off to save energy. The fan will cycle back on periodically to insure all cooling capacity in the system is used. This mode is the default mode for the unit. Each time the unit is powered off, it will restart in Energy Saver mode ON. This includes Delay timer mode. The first time the unit is turned on, the settings will be 70° and Low fan. You can adjust the fan speed and temperature to your personal comfort.
- ON—The fan will cycle on and off with the compressor. This may result in wider variations of room temperature and humidity. NOTE: the fan may continue to run for a short time or may pulse intermittently after the compressor cycles off to sample the room air.
- OFF—The fan runs all the time, while the compressor cycles on and off.

## Fan Only Mode

- Use the Fan Only Mode at Low, Med, High fan Speed to provide air circulation and filtering without cooling. Since fan-only settings do not provide cooling, a Set temperature cannot be entered. The room temperature will appear in the display
- NOTE: Auto Fan Speed cannot be used when in the Fan Only Mode

## Auto Fan Mode

- Set to Auto fan speed for the fan speed to automatically set to the speed needed to provide optimum comfort settings with the set temperature.
- If the room needs more cooling, the fan speed will automatically increase. If the room needs less cooling, the fan speed will automatically decrease.
- NOTE: Auto Fan Speed cannot be used when in the Fan Only Mode.

## Control Display On and Off

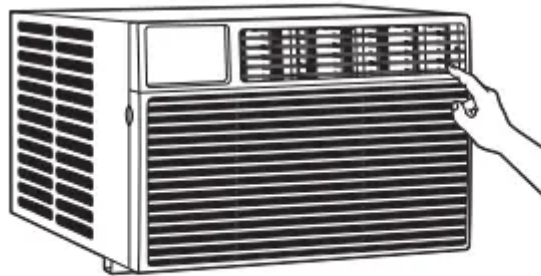
- To reduce brightness during sleeping hours, this air conditioner control display has an automatic off feature where the control display will turn off completely after 2 minute of inactivity. To illuminate the control interface, press any button on the control display or remote control. The control display will illuminate all previously illuminated LEDs. The control interface will now respond to any prescribed button press after it is illuminated.

## Power Outage Recovery Feature

- In the case of a power outage or interruption, the unit will automatically restart in the settings last used after the power is restored. If the Delay 1 - 24hr feature was set, it will resume countdown. You may need to set a new time if desired.

## Air Direction

- Use the lever to adjust the air direction left and right only.



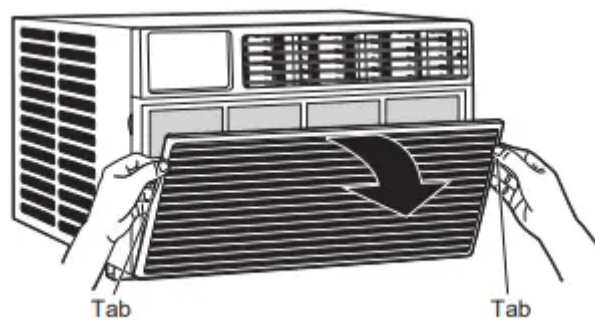
## Care and Cleaning

### Grille and Case

- Turn the air conditioner off and remove the plug from the wall outlet before cleaning.
- To clean, use water and a mild detergent. Do not use bleach or abrasives.

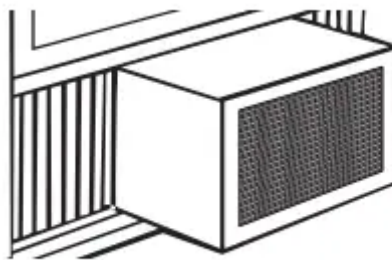
## Air Filter

- The air filter behind the front grille should be checked and cleaned at least every 30 days or more often if necessary
- To remove:
  - Slide the filter from the left side of the unit. Remove the filter. Clean the filter with warm, soapy water.
  - Rinse and let the filter dry before replacing it. Do not clean the filter in a dishwasher
- CAUTION: DO NOT operate the air conditioner without a filter because dirt and lint will clog it and reduce performance.



## Outdoor Coils

- The coils on the outdoor side of the air conditioner should be checked regularly. If they are clogged with dirt or soot, they may be professionally cleaned.



## How to Insert the Battery in the Remote Control

1. Remove the battery cover by sliding it according to the arrow direction.
2. Insert new battery, making sure that the (+) and (-) of battery are installed correctly.
3. Reattach the cover by sliding it back into position.

### NOTES:

- Use 2AAA (1.5 Volts) alkaline batteries. Do not use rechargeable batteries.

- Remove the batteries from the remote control if the system is not going to be used for a long time.
- Do not mix old and new batteries. Do not mix alkaline, standard (carbon-zinc) or rechargeable (ni-cad, ni-mh, etc) batteries.


## INSTALLATION INSTRUCTIONS

### BEFORE YOU BEGIN

Read these instructions completely and carefully.

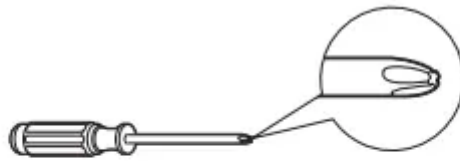
- IMPORTANT – Save these instructions for local inspector’s use.
- IMPORTANT – Observe all governing codes and ordinances.
- Note to Installer – Be sure to leave these instructions with the Consumer.
- Note to Consumer – Keep these instructions for future reference.
- Skill level – Installation of this appliance requires basic mechanical skills.
- Completion time – Approximately 1 hour
- We recommend that two people install this product.
- Proper installation is the responsibility of the installer.
- Product failure due to improper installation is not covered under the Warranty.
- You MUST use all supplies parts and use proper installation procedures as described in these instructions when installing this air conditioner.

### ELECTRICAL REQUIREMENTS

- These models require a 115/120 -volts ac, 60-Hz grounded outlet protected with a 15-amp time-delay fuse or circuit breaker.
- The 3-prong grounding plug minimizes the possibility of electric shock hazard. If the wall outlet you plan to use is only a 2-prong outlet, it is your responsibility to have it replaced with a properly grounded 3-prong wall outlet.
-  Some models require 230/208 volt AC, protected with a time-delay fuse or circuit breaker. These models should be installed on their own single branch circuit for best performance and to prevent overloading house or apartment wiring circuits, which could cause a possible fire hazard from overheating wires.
- Do not, under any circumstances, cut or remove the third (ground) prong from the power cord.
- Do not change the plug on the power cord of this air conditioner.

- Aluminum house wiring may present special problems—consult a qualified electrician.

## TOOLS YOU WILL NEED



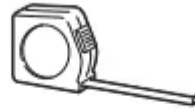
Phillips head screwdriver



Flat-blade screwdriver



Pencil



Ruler or tape measure



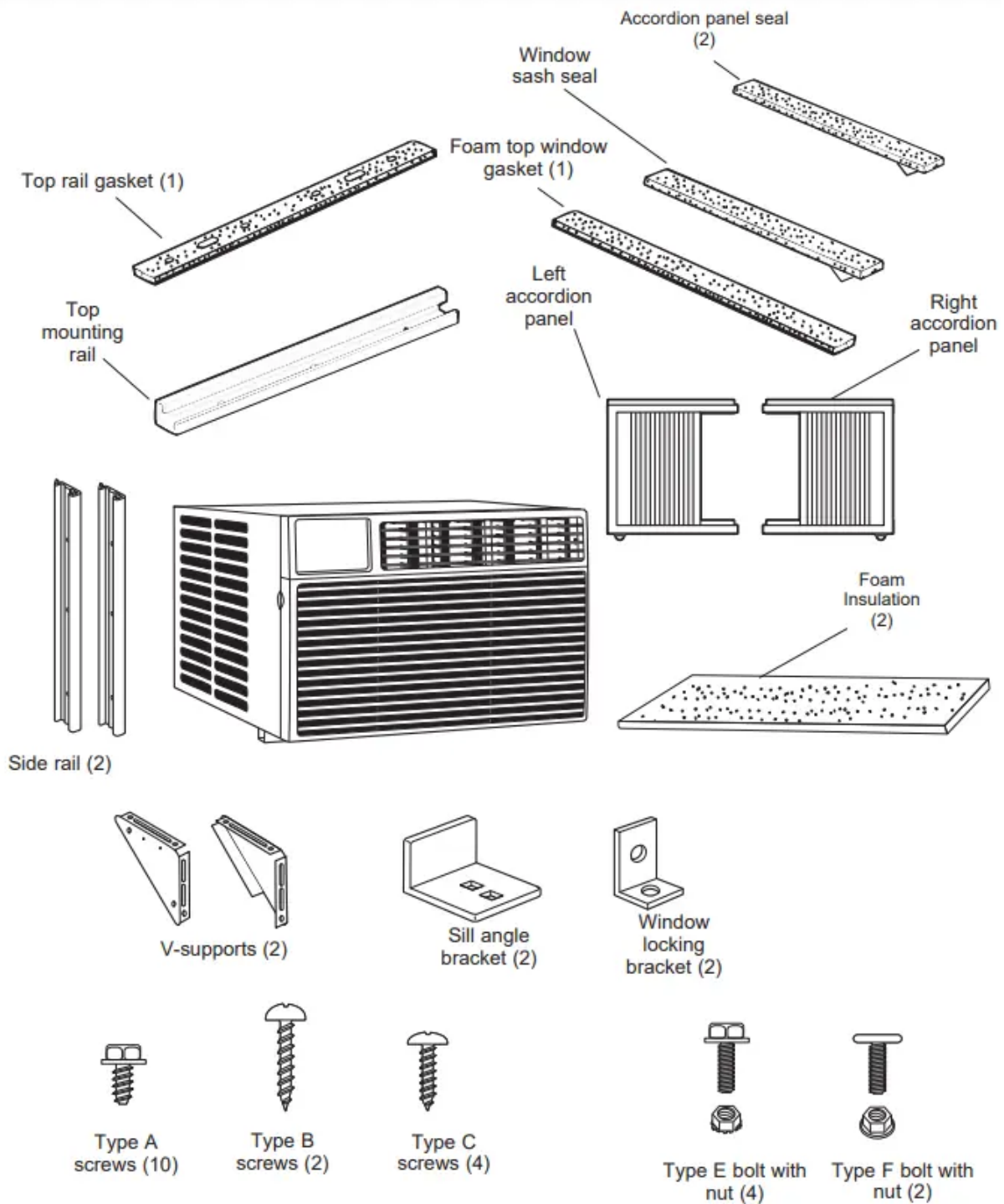
Level



Scissors or knife

- Power cord includes a current interrupter device. A test and reset button is provided on the plug case. The device should be tested on a periodic basis by first pressing the TEST button and then the RESET button while plugged into the outlet. If the TEST button does not trip or if the RESET button will not stay engaged, discontinue use of the air conditioner and contact a qualified service technician.

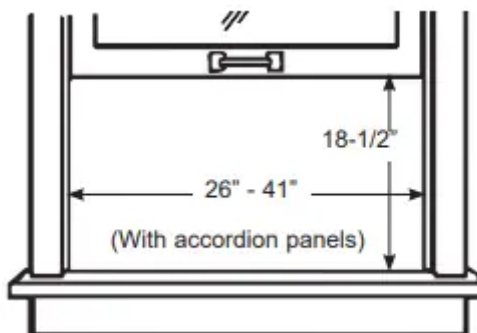
## PARTS INCLUDED (Appearance may vary)



### 1. WINDOW REQUIREMENTS

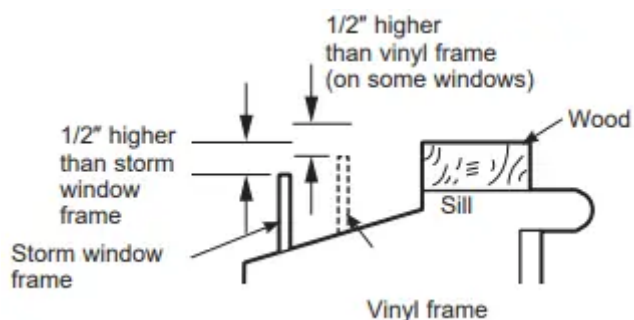
- These instructions are for a standard double-hung window. You will need to modify them for other types of windows.
- The air conditioner can be installed without the side curtain panels if needed to fit in a narrow window. See the window opening dimensions.
- All supporting parts must be secured to firm wood, masonry or metal.

- The electrical outlet must be within reach of the power cord.



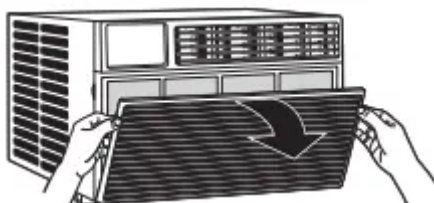
## 2. STORM WINDOW REQUIREMENTS

- A storm window frame will not allow the air conditioner to tilt toward the outside, and will keep it from draining properly. To adjust for this, attach a piece of wood to the sill.
  - WOOD PIECES
  - WIDTH: 2"
  - LENGTH: Long enough to fit inside the window frame.
  - THICKNESS: To determine the thickness, place a piece of wood on the sill to make it 1/2" higher than the top of the storm window frame or the vinyl frame.
- Attach securely with nails or screws provided by the installer.

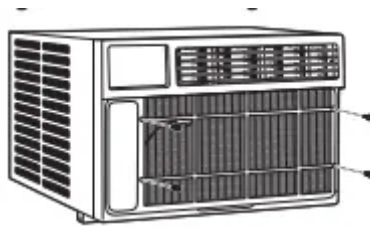


## 3. PREPARE THE AIR CONDITIONER

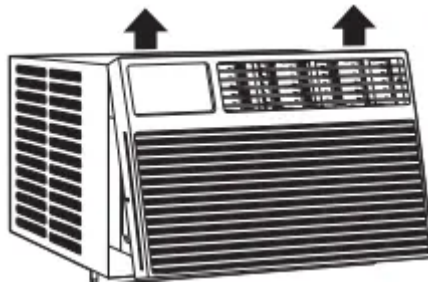
- A. Pull down the front panel and remove the filter. Remove the front panel by lifting up at an angle.



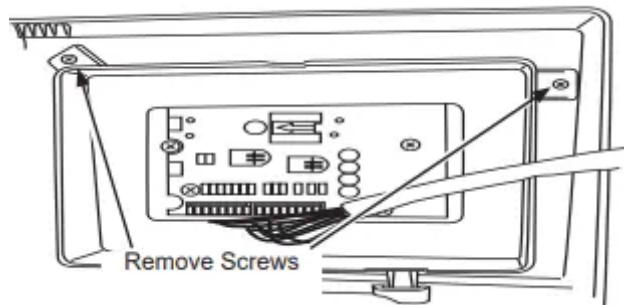
- B. Remove the four front screws. Save them for reinstalling the front housing.



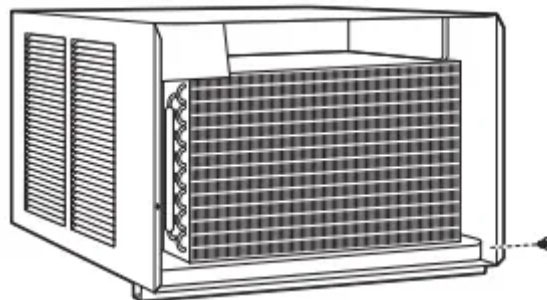
- C. Grasp the lower corners of the grille while pressing in on the case sides with your finger tips. Pull out to release and lift it up.



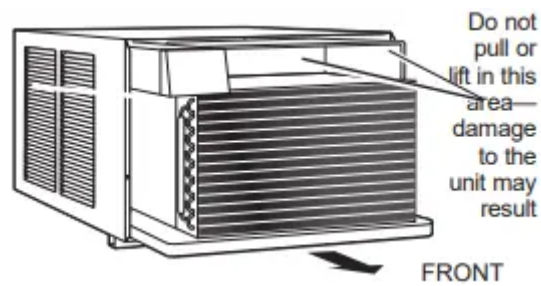
- D. When the front grille is removed the control panel will still be attached by a harness. Turn the grille around so you can see the back side of the grille. Remove the 2 screws to separate the control panel housing from the grille



- E. Remove the ground screw from the left side of the case. Keep it in a safe location.

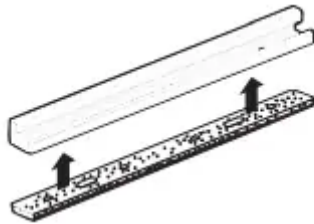


- F. Slide the air conditioner from the case by gripping the base pan handle and pulling forward while bracing the case. Do not pull or lift on the foam discharge area.

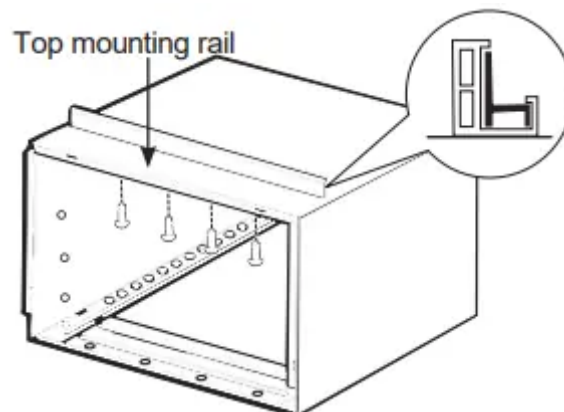


#### 4. PREPARE THE CASE

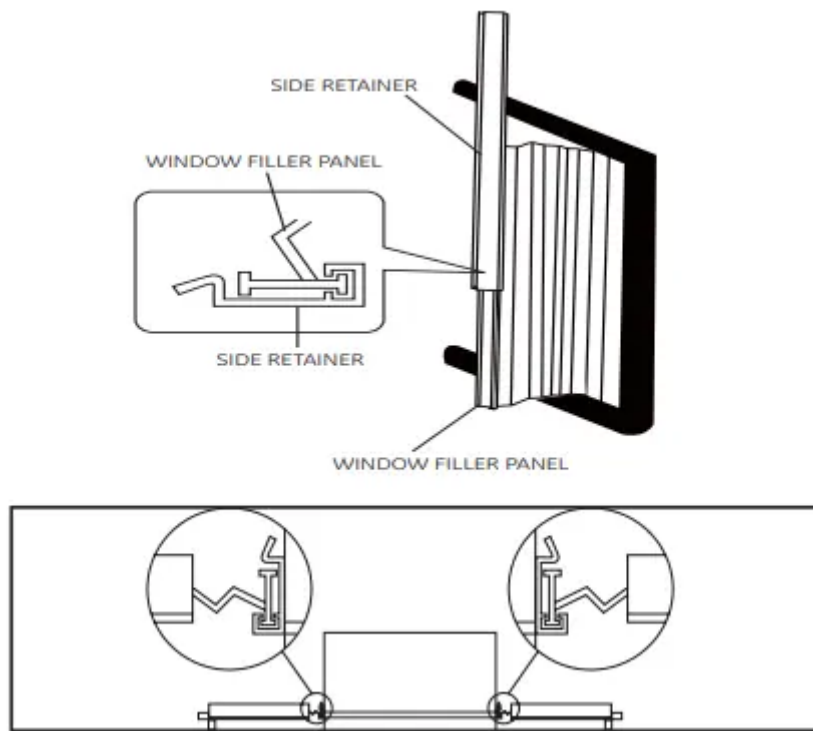
- A. Attach the top rail gasket to the bottom of the top rail.



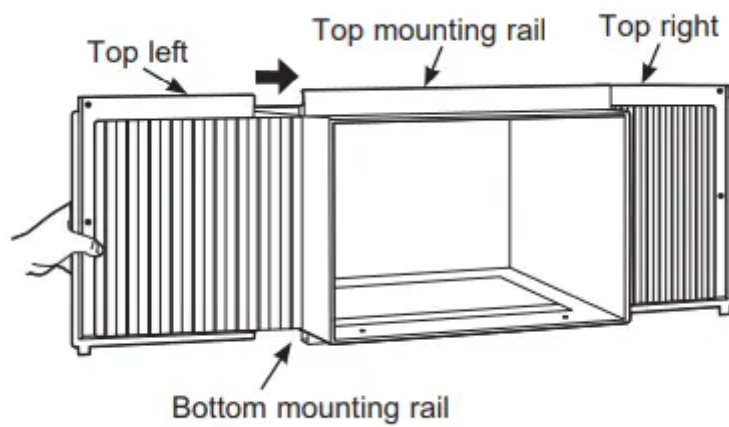
- B. Install the top mounting rail with 4 type A screws from the inside of the case. Press firmly to drive the screws into the gasket and through the top mounting rail.



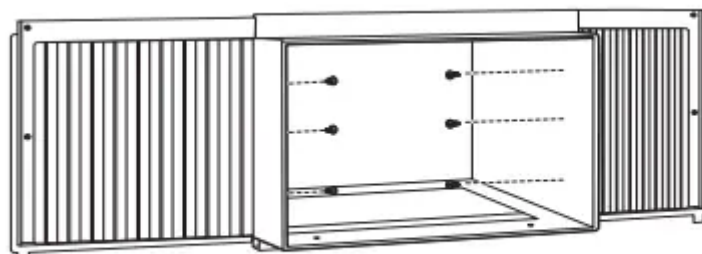
- C. Slide each side retainer onto the edge of each accordion panel. The figure shows the orientation of each accordion panel and side retainer assembly relative to the case from a top view of the unit.



- D. Slide the left and right accordion panels into the top and bottom mounting rails.

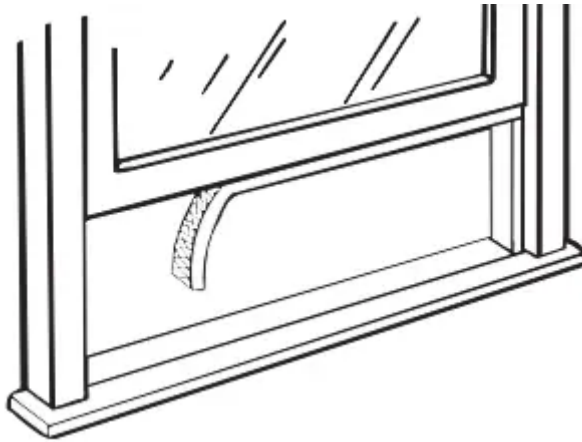


- E. Attach the side retainers to the case using 6 type A screws.

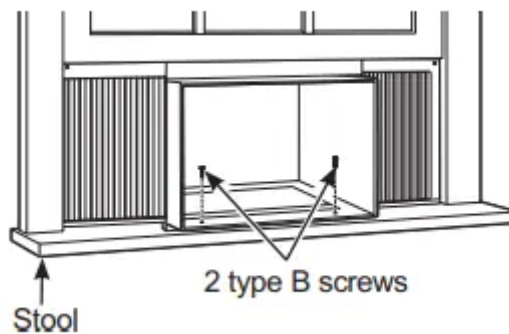


## 5. PREPARE THE WINDOW AND INSTALL THE CASE

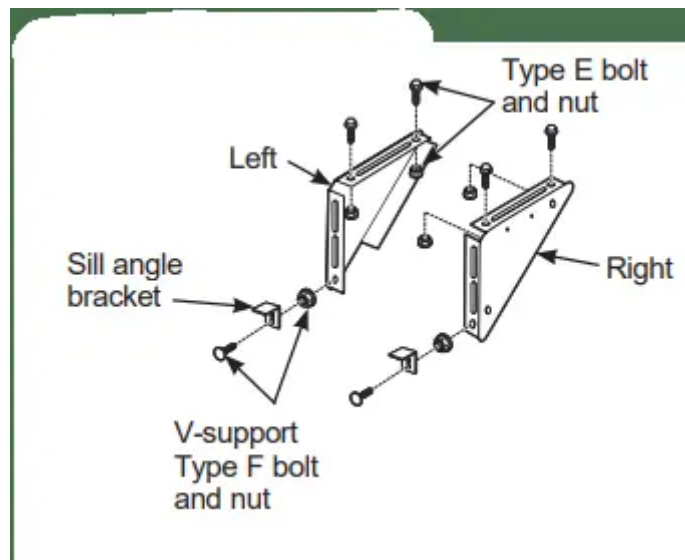
- A. Cut the window sash seal to the proper length. Peel off the backing and attach the seal to the underside of the window sash.



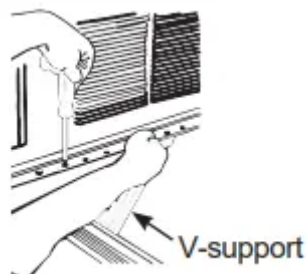
- B. Open the window and mark the center of the window sill.
- C. Carefully slide the case into the window and center the case. Lower the window behind the top mounting rail. Pull the bottom of the case forward so that the bottom mounting rail is tight against the back of the window stool. Mount the case to the window sill using 2 type B screws. Drills pilot holes, if necessary.



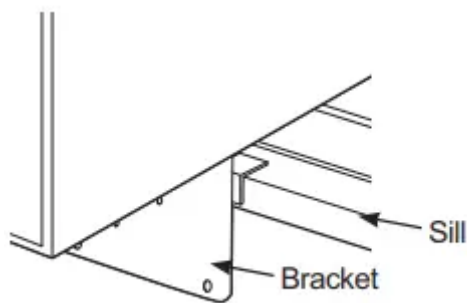
- D. Assemble the V-support and V-support bracket with Type F nut and bolt



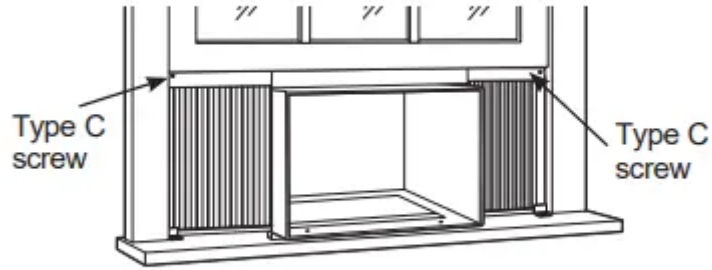
- E. Position the V-supports on the case bottom so that they will be near the outside wall. Attach a V-support to each side of the bottom of the case with Type E bolts, 2 for each support.



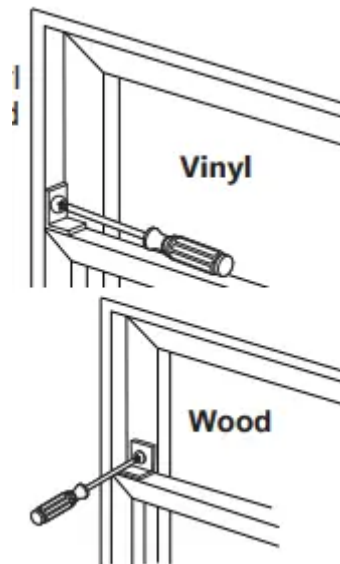
- F. Adjust sill angle brackets to rest on sill.



- G. Extend the left and right accordion panels to the vertical window sashes. Drill pilot holes and attach the top corners with 2 type C screws. Use type B screw to install the window lock bracket on top of the bottom window.



- H. To prevent broken glass or damage to windows, on vinyl or other similarly constructed windows, attach the window locking bracket to the window side jamb with one type B screw



- I. Cut the foam top window gasket to the window width.

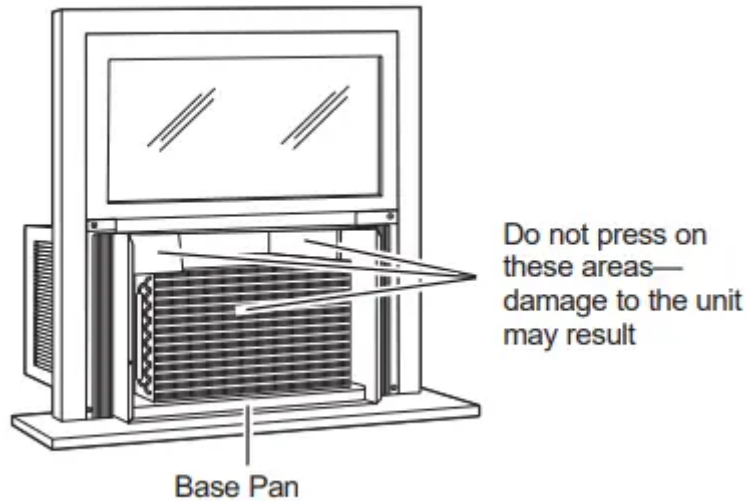


- J. Stuff the foam between the glass and the window to prevent air and insects from getting into the room.

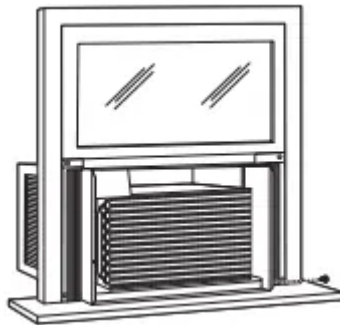
NOTE: If the gasket supplied does not fit your window, obtain appropriate material locally to provide a proper installation seal.

## 6. INSTALL THE AIR CONDITIONER IN THE CASE

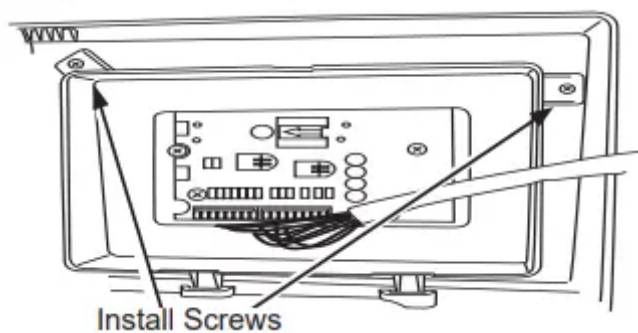
- A. Slide the air conditioner into the case by the base pan. Do not push on the controls, foam air discharge housing or the finned coils. Make sure the air conditioner is firmly seated.



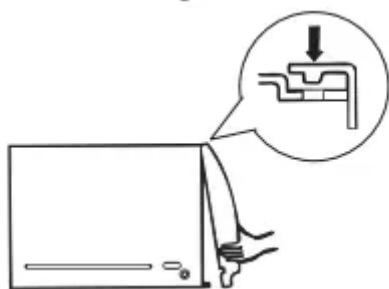
- B. Replace the 1 screw removed earlier, one on each side of the case



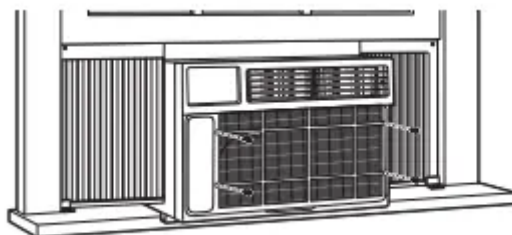
- C. Reinstall the control to the panel housing by replacing the 2 screws you removed earlier.



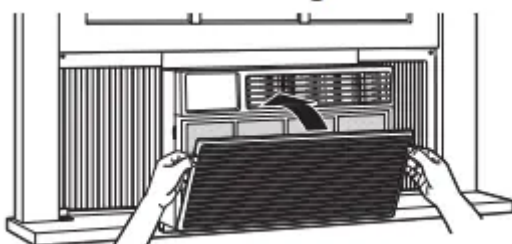
- D. Attach the front grille to the case by inserting the tabs on the grille into the slots on the front top of the case. Push the grille in.



- E. Replace the screws.



- F. Install the filter and the front grille.

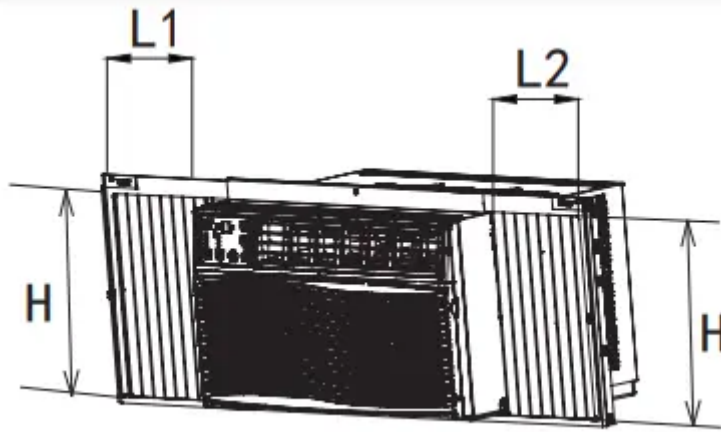


- G. Plug in the air conditioner.

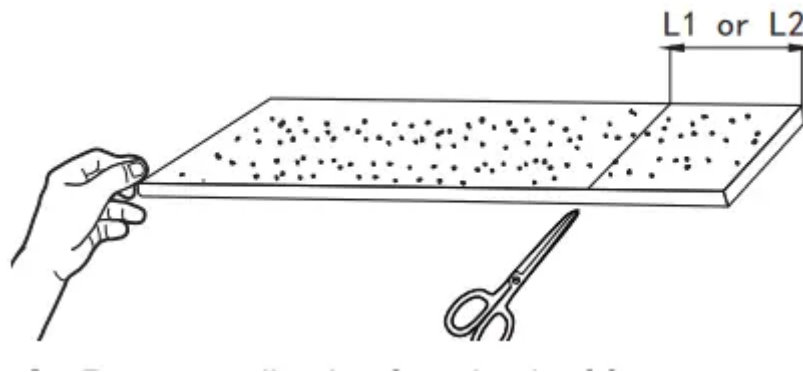
## 7. INSTALL FOAM INSULATION

Additional insulation is provided with your window air conditioner to reduce heat leakage into the home, reducing overall energy usage.

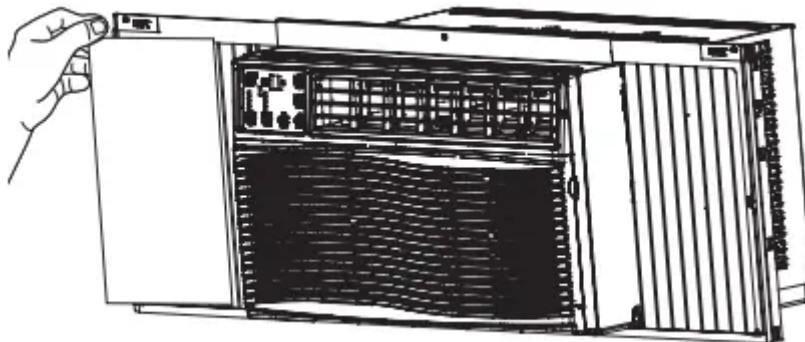
- A. After the air conditioner is installed in the window measure the length of the accordion for both sides.



- B. Cut the foam insulation to the measured length of the left and right side accordion.



- C. Remove adhesive from back of foam insulation. Stick the foam insulation onto the left and right accordion, and inside of the frames.



NOTE: be careful to cover the entire accordion.

### Through-the-Wall Installation Instructions—Optional

The case may be installed through-the-wall in both existing and new construction.

Read completely, then follow step-by-step.

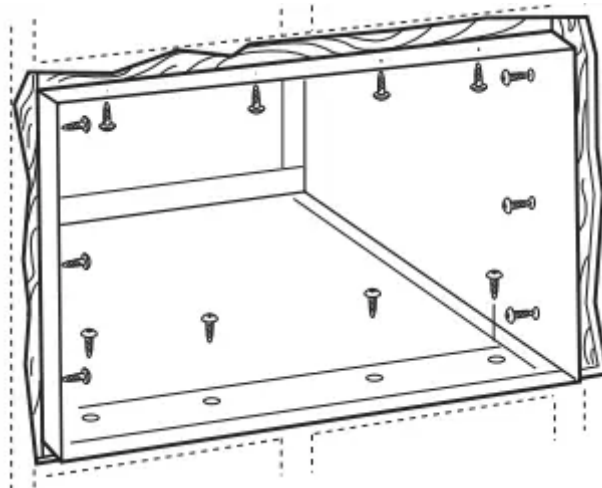
NOTE: Obtain all materials locally for mounting the air conditioner through-the wall.

## 1. IMPORTANT

- Through-the-wall installation is not appropriate if any of the side or top louvers in the case will be obstructed by the wall.
- All side and top louvers in the case must project on the outdoor side of the wall.
- The room side of the case must project into the room far enough to maximize the balance of the unit.
- The case must be installed level from side to side and with a slight tilt from front to rear. Use a level; no more than a 1/2 bubble will be the correct case slant to the outside.
- Lintel angle is required to support bricks or blocks above opening.
- Flashing is required and should extend the length of the opening to ensure no inside cavity leakage occurs.

A. Remove the air conditioner from the case. For specific instruction, refer to the Window Installation Instructions.

B. Make certain that a wall receptacle is available close to the hole location or make arrangements to install a receptacle

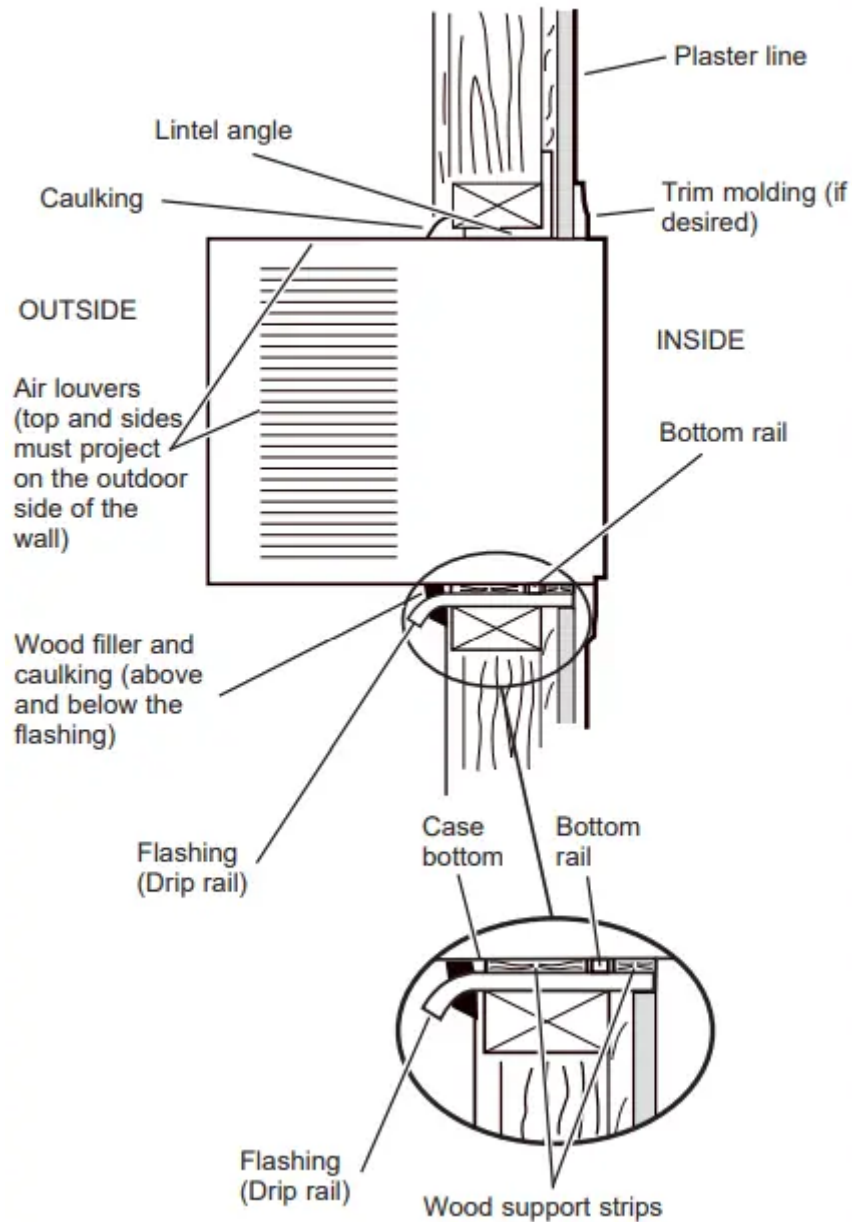


C. Place the case in the wall opening and place wood support strips between the case bottom and the flashing on both sides of the bottom rail. They should be the same height as the bottom rail and the same length as the wall opening.

D. Secure with 14 wood screws anchored at least an inch into the wall support structure. NOTE: Drill pilot holes, if necessary, for proper installation. If the frame is oversized, use shims to prevent case distortion.

## 2. FINISH THE WALL OPENING

A. Caulk all four sides on the outdoor side of the case to prevent moisture from getting through to interior wall. Use of flashing (drip rail) will further prevent water from dripping inside the wall and down the outside of the building.



B. Place the air conditioner into the case. For specific instruction, refer to the Window Installation Instructions.

## Troubleshooting Tips...

Before you call for service

Save time and money! Review the charts on the following pages first and you may not need to call for service.

1. Air conditioner does not start.

- The unit is unplugged.
  - Make sure the air conditioner plug is pushed completely into the outlet.

- The fuse is blown/circuit breaker is tripped.
  - Check the house fuse/ circuit breaker box and replace the fuse or reset the breaker.
- Power Failure.
  - The unit will automatically restart in the setting last used after the power is restored.
  - There is a protective time delay (approximately 3 minutes) to prevent tripping of the compressor overload. For this reason, the unit may not start normal cooling for 3 minutes after it is turned back on.
- The current interrupter device is tripped.
  - Press RESET button located on the power cord plug.
  - If the RESET button will not stay engaged, discontinue use of the air conditioner and contact a qualified service technician.

## 2. Air conditioner does not cool as it should.

- Airflow is restricted.
  - Make sure there are not curtains, blinds or furniture blocking the front of the air conditioner.
- The temp control may not be set properly.
  - In the Cool mode, press the Decrease pad.
- The air filter is dirty.
  - Clean the filter at least every 30 days. See Care and Cleaning section.
- The room may have been hot.
  - When the air conditioner is first turned on, you need to allow time for the room to cool down.
- Cold air is escaping.
  - Check for open furnace registers and cold air returns.
- Cooling coils have iced up.
  - See "Air conditioner freezing up" below

## 3. Air conditioner freezing up

- Ice blocks the air flow and stops the air conditioner from cooling the room.
  - Set the mode control to High Fan or High Cool with the temperature setting as high as it can be set.

#### 4. The remote control is not working

- The batteries are inserted incorrectly
  - Check the position of the batteries. They should be inserted in the opposite (+) and (-) direction
- The batteries may be dead.
  - Replace the batteries.

#### 5. Water drips outside

- Hot, humid weather.
  - This is normal.

#### 6. Water drips indoors

- The air conditioner is not tilted to the outside.
  - For proper disposal, make sure the air conditioner slants slightly from the case front to the rear.

#### 6. Water collects in base pan

- Moisture removed from air and drain into base pan.
  - This is normal for a short period in areas with little humidity; normal for a longer period in very humid areas.

### Normal Operating Sounds

- You may hear a pinging noise caused by water being picked up and thrown against the condenser on rainy days or when the humidity is high. This design feature helps remove moisture and improve efficiency.
- You may hear the thermostat click when the compressor cycles on and off.
- Water will collect in the base pan during high humidity or on rainy days. The water may overflow and drip from the outdoor side of the unit.
- The fan may run even when the compressor does not.

#### Warning

This content is compiled from multiple sources and is provided for reference purposes only. It may not be complete or fully applicable to all situations. If you are unable to resolve your issue, please contact the product manufacturer or an authorized service provider for official support.