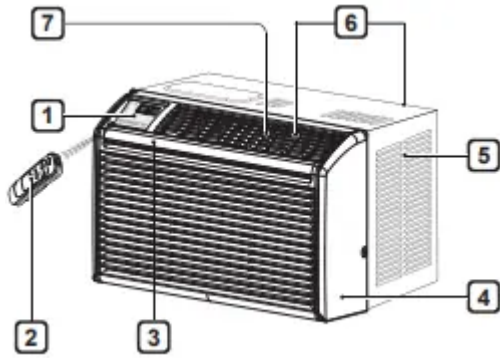


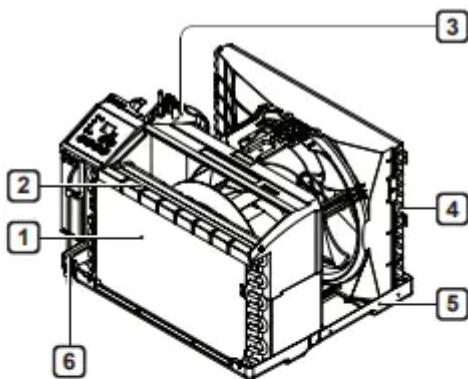
PRODUCT OVERVIEW

Exterior Parts



- 1 Control Panel
- 2 Remote Controller
- 3 Air Filter
- 4 Front Grille
- 5 Cabinet
- 6 Air Outlet
- 7 Vertical Air Deflector (Horizontal Louver)

Interior Parts



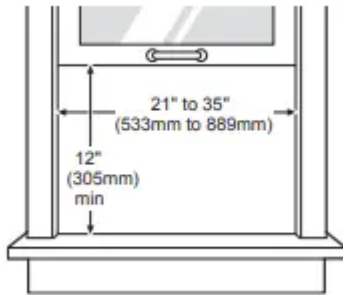
- 1 Evaporator
- 2 Air Guide
- 3 Compressor
- 4 Condenser
- 5 Base Pan
- 6 Power Cord

INSTALLATION

Window Requirements

This unit is designed for installation in standard double hung windows with actual opening widths from 21" to 35".

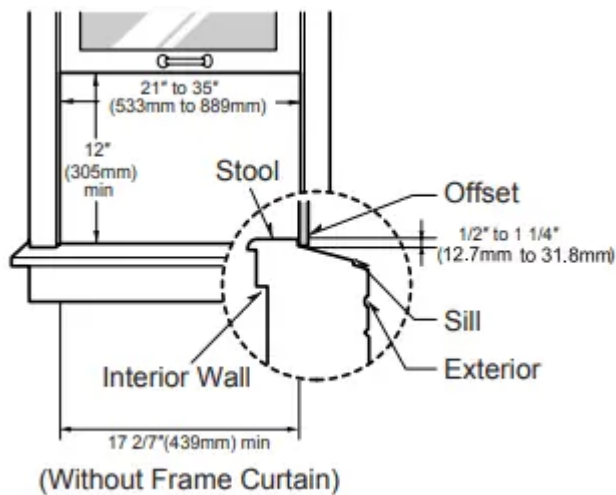
The top and bottom window sashes must open sufficiently to allow a clear vertical opening of 12" from the bottom of the upper sash to the inside sill.



NOTE This product is a WINDOW AIR CONDITIONER. As such, a standard single-hung or double-hung window is required for proper installation. No-window installations, including using sleeves, holes in walls, and other installations are not recommended.

Location

Install the air conditioner where the sunlight does not shine directly on the unit.



Clearance

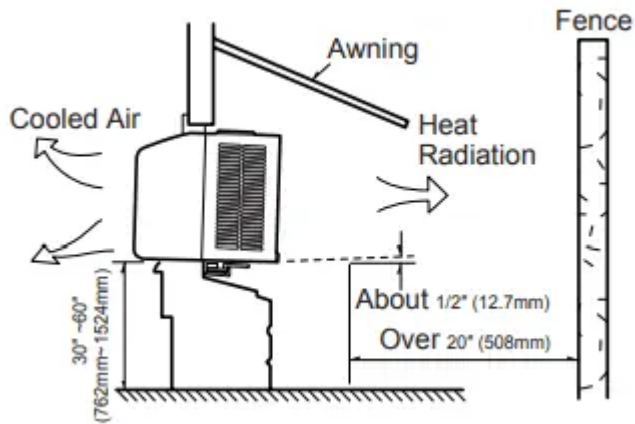
Proper clearance enhances the cooling efficiency of the unit and prevents heat radiation of the condenser.

- 1 The bottom of the cabinet should be 30" ~ 60" above the ground.
- 2 The outside of cabinet must extend outward for at least 1/2".



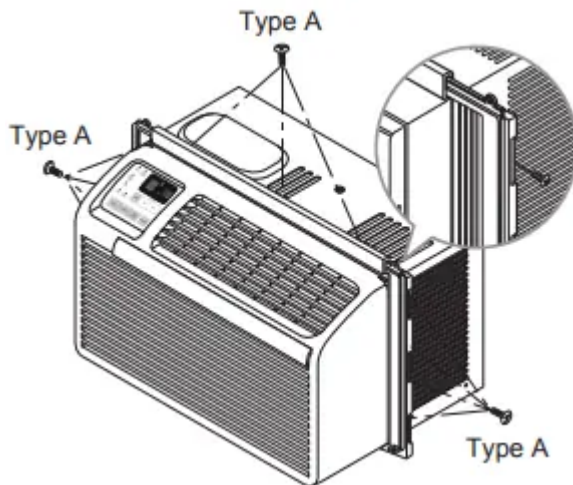
3 There should be no obstacles such as a fence or wall within 20" from the back of the cabinet.

4 All side louvers of the cabinet must remain exposed to the outside of the structure.

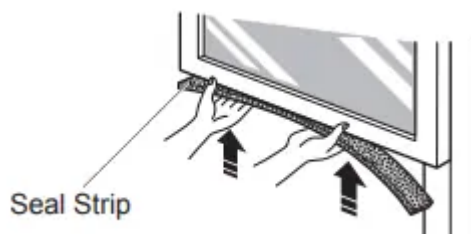


Preparation of Chassis

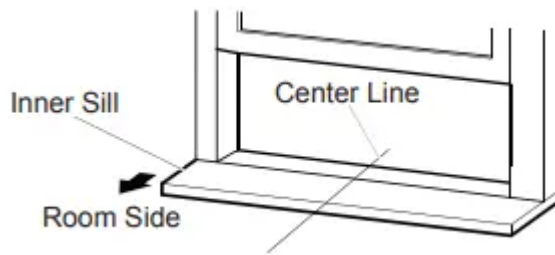
1. Insert the guide panels into the guides of the air conditioner. Fasten the curtains to the unit with screws (Type A).



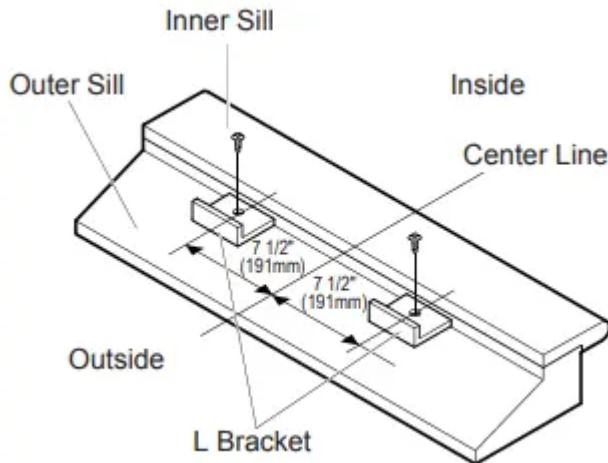
2 Cut the adhesive-backed seal strip to the window width. Remove the backing from the seal strip and attach the seal strip to the underside of the bottom window.



3 Locating unit in window. window and mark center line on the Open the center of the inner sill.



4 Install the L bracket behind the inner window sill, with short side of bracket as shown. Use the 2 screws (Type A) provided.

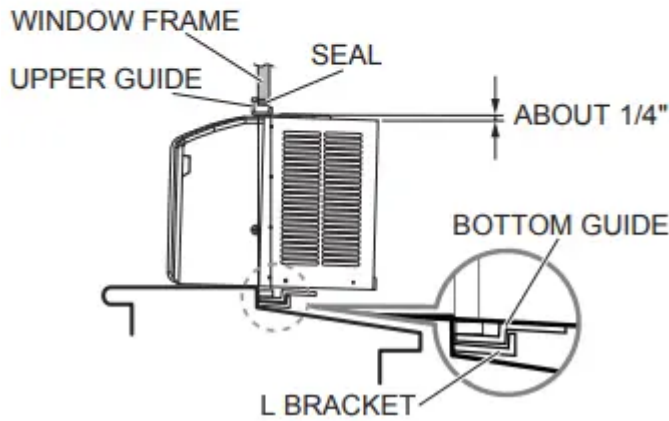
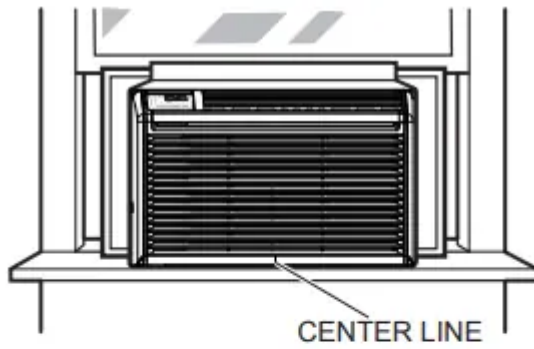


NOTE The bracket helps to hold unit securely in place. Be sure to place bracket edge flush against back of inner sill.

Unit Installation

1. Carefully lift the air conditioner and slide it into the open window. Make sure the bottom guide of the air conditioner drops into the notches of the L bracket.

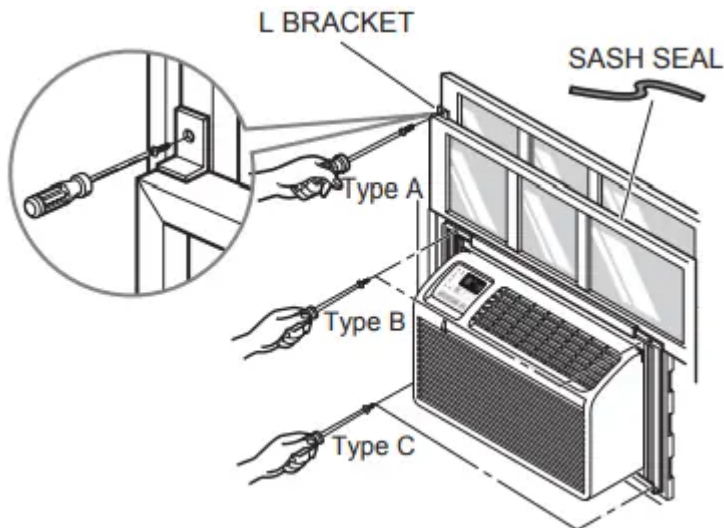
While steadying the air conditioner, carefully bring the window sash down behind the upper guide of the air conditioner. When the air conditioner is properly installed, it should tilt slightly down at the back. If it is set correctly in the window, it will hang lower in the back automatically. If it does not, there is a problem with the installation.



NOTE When the air conditioner drops into the L bracket, the air conditioner will be centered in window opening.

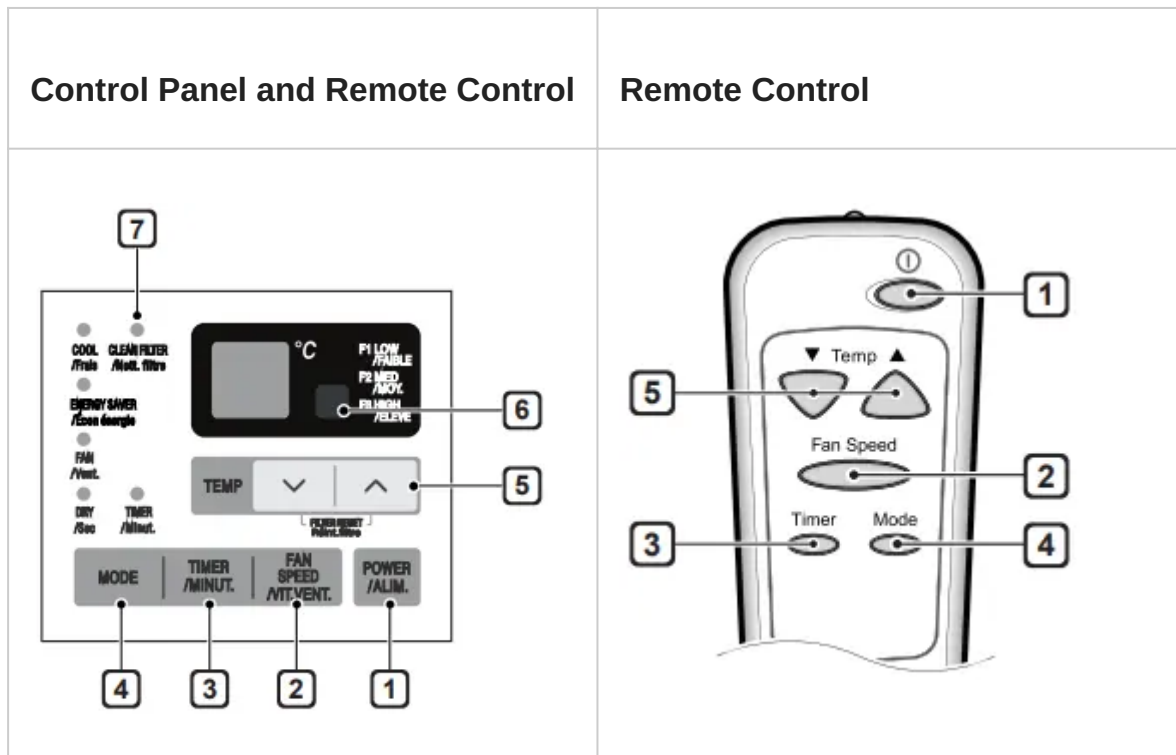
2 Extend the guide panels to fill the window opening using 2 screws (Type B) and 2 screws (Type C) to secure them.

3 Cut the sash seal to the window width. Stuff the sash seal between the glass and the window to prevent air and insects from getting into the room. Fasten the L bracket using a screw (Type A).



NOTE See the 'Electrical Data' section for information on attaching the power cord to an electrical outlet.

OPERATION



1 Power

Operation starts when this button is pressed and stops when you press the button again.

2 Fan Speed

Use to set the fan speed to Low (F1), MED (F2), High (F3).

3 ON/OFF Timer

Delay ON - When the air conditioner is off, it can be set to automatically turn on from 1 to 24 hours at its previous mode and fan settings.

Delay OFF - When the air conditioner is on, it can be set to automatically turn on from 1 to 24 hours.

NOTE Each press of the Timer button advances the timer by 1 hour. After the last press the display returns to the temperature setting.

4 Operation Mode Selector

Push the Mode button to rotate between Energy Saver / Cool / Fan / Dry

Energy Saver - The fan stops when the compressor stops cooling. Approximately every 3 minutes the fan will turn on and check the room air temperature if cooling is needed.

Cool - Compressor runs and cools the room. Use the ^ | v and FAN buttons to set the desired temperature and circulation fan speed.

Fan - Fan circulates air but the compressor does not run. Use the FAN button to set the desired fan speed.

Dry - Dry mode is used to remove humidity from the room without additional cooling. Once the set temperature is reached, the compressor and circulation fan turns off. Fan speed is pre-set and cannot be adjusted.

5 Temperature Control

The thermostat monitors room temperature to maintain the desired temperature. The thermostat can be set between 60 °F–86 °F (16 °C–30 °C). Press \wedge or \vee arrows to increase or decrease temperature setting.

6 Remote Control Sensor

7 Clean Filter

The Clean Filter LED lights up to notify you that the filter needs to be cleaned. After cleaning the filter, press Temp \wedge and \vee together on the control panel to turn off the Clean Filter light.

NOTE

- The filter reset must be done using the control panel, not the remote control.
- This feature is a reminder to clean the air filter for more efficient operation. The LED light turns on after 250 hours of operation.

NOTE

- Auto Restart: If the air conditioner turns off due to a power outage, it will restart automatically once the power is restored, with the same settings as were set before the unit turned off.
- Energy Saver: The unit defaults to the Energy Saver mode each time the unit is switched on except in Fan mode or when power is restored after an electrical power outage.
- The remote control will not function properly if the AC infrared sensor is exposed to direct light or if there are obstacles between the remote controller and the air conditioner.

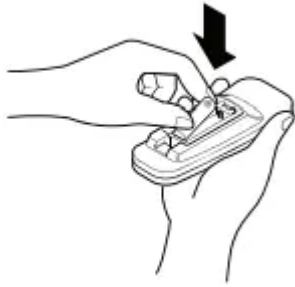
Wireless Remote Control

Inserting Battery

- 1 Remove the cover from the back of the remote controller.



2 Insert one battery.



3 Reattach the cover.

NOTE

- Be sure that the (+) and (-) directions are correct.
- Be sure that the battery is new.
- Do not use a rechargeable battery.
- In order to prevent discharge, remove the battery from the remote control if the air conditioner is not going to be used for an extended period of time.
- Keep the remote control away from extremely hot or humid places.
- To maintain optimal operation of the remote control, the remote sensor should not be exposed to direct sunlight.

Additional Features

Air Direction

Adjusting the air direction using the horizontal air deflector control.

Using the control tabs, the air flow can be directed to the left, right, straight ahead, or any combination of these directions.



Slinger Fan

This air conditioner is equipped with a slinger fan. (See drawing, below.)

The fan has an outer ring that runs in the water the collects in the base pan if it gets deep. That condensate is then picked up by the fan and expelled through the condenser, making the air conditioner more efficient.



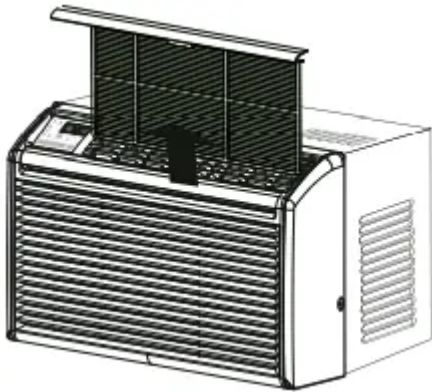
MAINTENANCE

Air Filter

Check the air filter at least twice a month to see if cleaning is necessary. Trapped particles in the filter can build up and block the airflow, reducing cooling capacity and causing an accumulation of frost on the evaporator.

Cleaning the Air Filter

1 Remove the air filter from the front grille by pulling the filter forward and then up slightly.



2 Wash the filter using lukewarm water below 40 °C (104 °F).

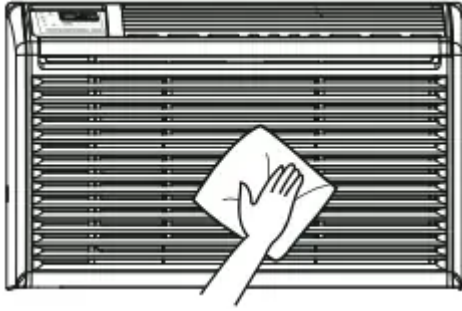


3 Gently shake the excess water from the filter and replace.

Cleaning the Air Conditioner

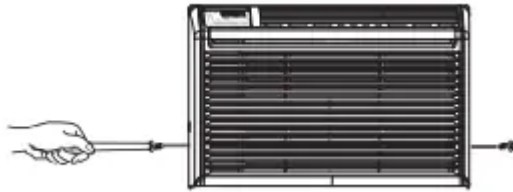
Wipe the front grille and inlet grille with a cloth dampened in a mild detergent solution.

Wash the cabinet with mild soap or detergent and lukewarm water, then polish using liquid appliance wax.

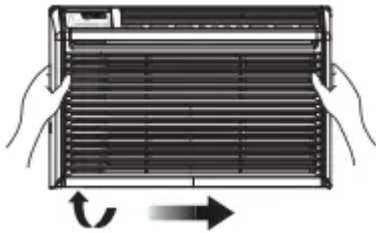


HOW TO REMOVE THE FRONT GRILLE

Remove the screws securing the Front Grille.



Push the grille up from the bottom and pull the top of the grille away from the case as the top tabs lift out of their slots.



NOTE

- To ensure continued peak efficiency, the condenser coils (outside of unit) should be checked periodically and cleaned if clogged with soot or dirt from outside air.
- For repair and maintenance, contact an Authorized Service Center. See the warranty page for details or call 1-888-LG-CANADA (542 2623).

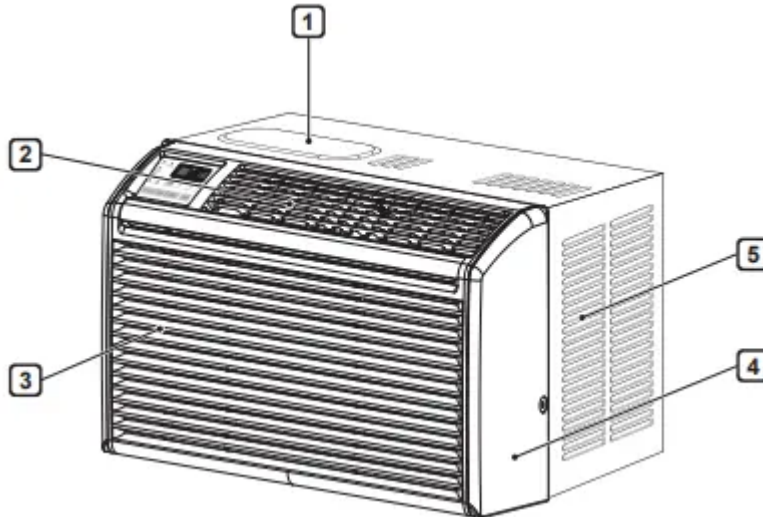
Have your model number and serial number available. They should be written on page 22 of this manual.

TROUBLESHOOTING

Before Calling for Service

The appliance is equipped with an automatic error-monitoring system to detect and diagnose problems at an early stage. If the appliance does not function properly or does not function at all, check the following before you call for service.

Normal Sounds You May Hear



1 High Pitched Chatter

Today's high efficiency compressors may have a high pitched chatter during the cooling cycle.

2 Sound of Rushing Air

At the front of the unit, you may hear the sound of rushing air being moved by the fan.

3 Gurgle/Hiss

Gurgling or hissing noise may be heard due to refrigerant passing through evaporator during normal operation.

4 Vibration

Unit may vibrate and make noise because of poor wall or window construction or incorrect installation.

5 Pinging or Swishing

Droplets of water hitting condenser during normal operation may cause pinging or swishing sounds.

Problem	Possible Cause	Solutions
Air conditioner does not start.	The air conditioner is unplugged.	Make sure the air conditioner plug is pushed completely into the outlet.
	The fuse is blown/circuit breaker is tripped.	Check the house fuse/circuit breaker box and replace the fuse or reset the breaker.
	Power failure.	If power failure occurs, turn the mode control to off. When power is restored, wait 3 minutes to restart the air conditioner to prevent tripping of the compressor overload.
	The current interrupter device is tripped.	Press the RESET button located on the power cord plug. If the RESET button will not stay engaged, discontinue use of the air conditioner and contact a qualified service technician.
Air conditioner does not cool as it should.	Airflow is restricted.	Make sure there are no curtains, blinds, or furniture blocking the front of the air conditioner.
	The temp control may not be set correctly.	Set the desired temperature to a level lower than the current temperature.
	The air filter is dirty.	Clean the filter at least every 2 weeks. See the 'MAINTENANCE' section.
	The room may have been hot.	When the air conditioner is first turned on, you need to allow time for the room to cool down.
	Cold air is escaping.	Check for open furnace floor registers and cold air returns.
	Cooling coils have iced up.	See 'Air conditioner freezing up' below.
Air conditioner freezing up.	The cooling coils are iced over.	Ice may block the air flow and obstruct the air conditioner from properly cooling the room. Set the mode control at High Fan or High Cool.
Water drips outside.	Hot, humid weather.	This is normal.

Water drips indoors	The air conditioner is not tilted to the outside.	For proper water disposal, make sure the air conditioner slants slightly from the cabinet front to the rear.
Water collects in base pan.	Moisture removed from air and drains into base pan.	This is normal for a short period in areas with little humidity; normal for a longer period in very humid areas.
Air conditioner turns on and off rapidly	Dirty air filter - air restricted	Clean air filter
	Outside temperature extremely hot.	Refer to installation instructions or check with installer.
Noise when unit is cooling.	Air movement sound.	This is normal. If too loud, set to lower FAN setting.
	Window vibration - poor installation.	Refer to installation instructions or check with installer.
Remote sensing deactivating prematurely.	Remote control not located within range.	Place remote control within 20 feet & 120° radius of the front of the unit.
	Remote control signal obstructed.	Remove obstruction.
Room too cold.	Set temperature too low.	Increase set temperature.

NOTE

- You can refer to the Energy Star program in detail at www.energystar.gov.
- If you see "CH" in the display, please call 1-888-LG-CANADA(542 2623).

Warning

This content is compiled from multiple sources and is provided for reference purposes only. It may not be complete or fully applicable to all situations. If you are unable to resolve your issue, please contact the product manufacturer or an authorized service provider for official support.

