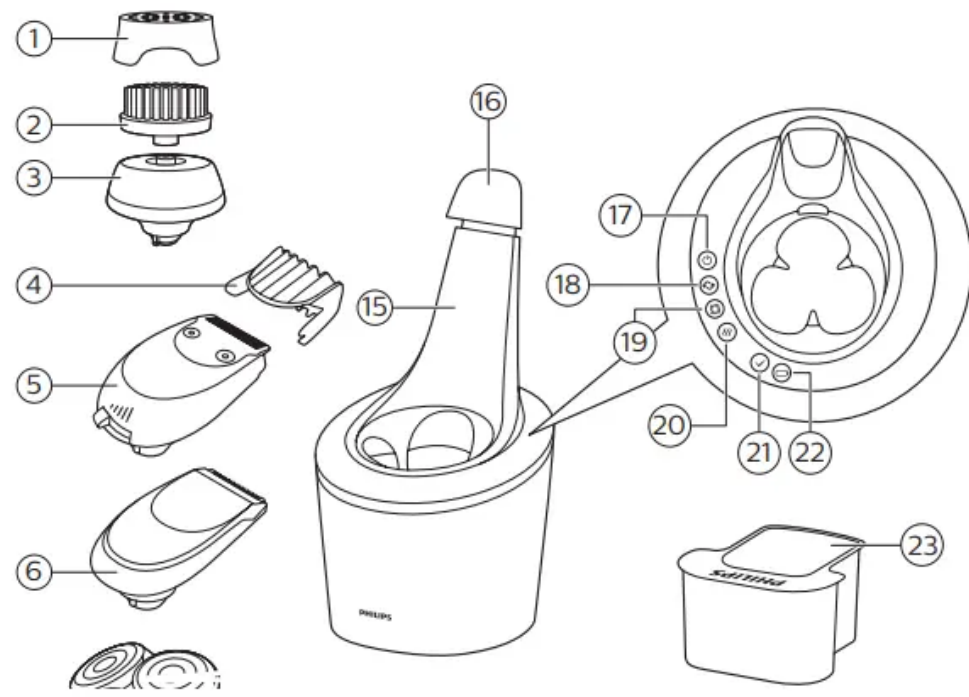
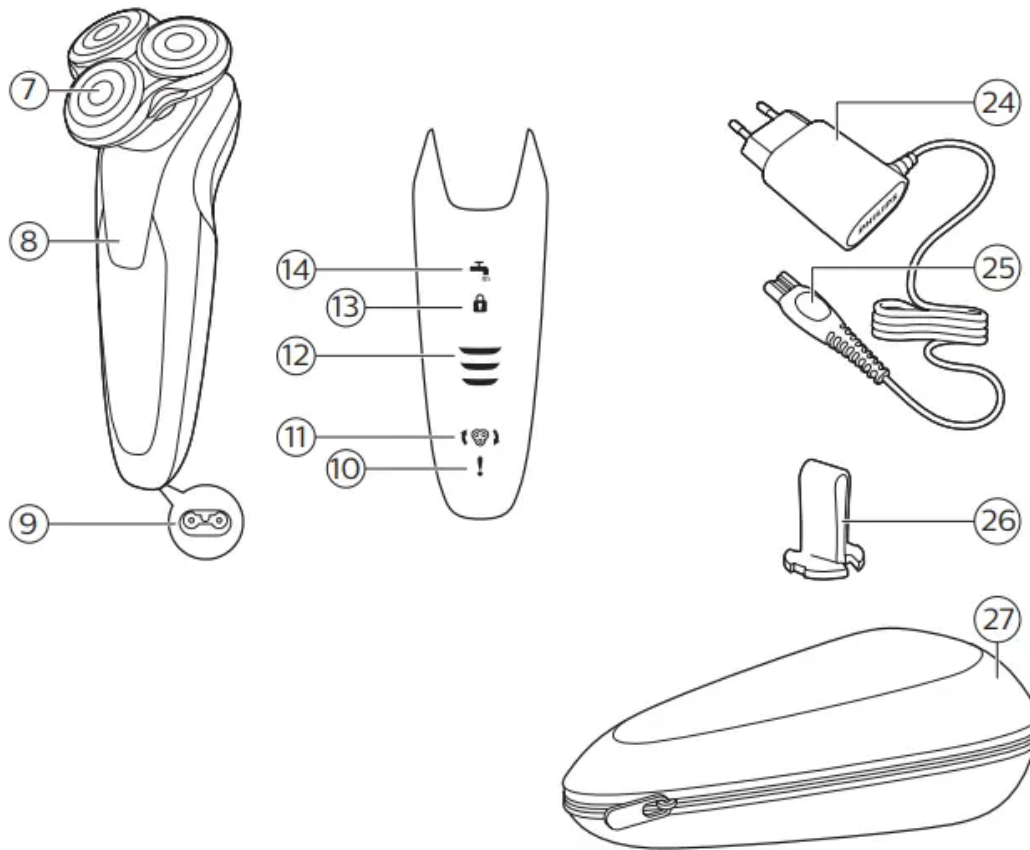


General description





1. Protection cap for cleansing brush attachment
2. Click-on cleansing brush attachment
3. Attachment base
4. Comb for beard styler attachment
5. Click-on beard styler attachment
6. Click-on trimmer attachment
7. Click-on shaving unit
8. On/off button
9. Socket for small plug
10. Exclamation mark
11. Replacement reminder
12. Battery charge indicator
13. Travel lock symbol
14. Cleaning reminder
15. SmartClean system
16. Cap of SmartClean system

17. On/off button
18. Replacement symbol
19. Cleaning symbol
20. Drying symbol
21. Ready symbol
22. Charge symbol
23. Cleaning cartridge for SmartClean system
24. Supply unit
25. Small plug
26. Retaining ring holder
27. Pouch

The accessories supplied may vary for different products. The box shows the accessories that have been supplied with your appliance.

Using the appliance

Switching the appliance on and off

- To switch on the appliance, press the on/off button once (Fig. 18). The display lights up for a few seconds.



- To switch off the appliance, press the on/off button once. The display lights up for a few seconds and shows the remaining battery charge.

Shaving

Skin adaptation period

Your first shaves may not bring you the result you expect and your skin may even become slightly irritated. This is normal. Your skin and beard need time to adapt to any new shaving system. To allow your skin to adapt to this new appliance, we advise you to shave regularly (at least 3 times a week) and exclusively with this appliance for a period of 3 weeks.

Shaving tips

- To ensure the best result, we advise you to pre-trim your beard if you have not shaved for 3 days or longer.
- Move the shaving heads over your skin in circular movements.

Dry shaving

1. Switch on the appliance.
2. Move the shaving heads over your skin in circular movements to catch all hairs growing in different directions (Fig. 19). Exert gentle pressure for a close comfortable shave.



3. Clean the appliance after use (see 'Cleaning and maintenance').

Wet shaving

You can also use this appliance on a wet face with shaving foam or shaving gel.

To shave with shaving foam or shaving gel, follow the steps below:

1. Apply some water to your skin (Fig. 20).

20



2. Apply shaving foam or shaving gel to your skin (Fig. 21).

21



3. Rinse the shaving unit under the tap to ensure that the shaving unit glides smoothly over your skin (Fig. 22).

22



4. Switch on the appliance.

5. Move the shaving heads over your skin in circular movements to catch all hairs growing in different directions (Fig. 19). Exert gentle pressure for a close comfortable shave.

6. Dry your face.

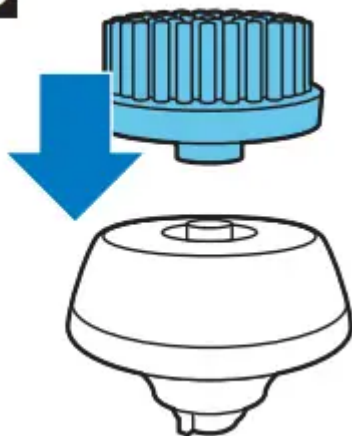
7. Clean the appliance after use (see 'Cleaning and maintenance').

Using the click-on attachments

Note:

- The accessories supplied may vary for different products. The box shows the accessories that have been supplied with your appliance.
- Attach the click-on cleansing brush attachment on the attachment base first, before placing it on the appliance (Fig. 23).

23



Removing or attaching the click-on attachments

1. Make sure the appliance is switched off.
2. Pull the attachment straight off the appliance (Fig. 24).

24



3. Insert the lug of the attachment into the slot in the top of the appliance. Then press down the attachment to attach it to the appliance ('click') (Fig. 25).

25



Using the trimmer attachment

You can use the trimmer attachment to groom your sideburns and moustache.

1. Attach the attachment to the appliance ('click') (Fig. 25).

25



2. Switch on the appliance. The display lights up for a few seconds.
3. Hold the trimmer attachment perpendicular to the skin and move the appliance downwards while you exert gentle pressure (Fig. 26).

26



4. Clean the attachment after use (see 'Cleaning and maintenance').

Using the beard styler attachment with comb

You can use the beard styler attachment with the comb attached to style your beard at one fixed setting, but also at different length settings. You can also use it to pre-trim any long hairs before shaving for a more comfortable shave.

The length settings on the beard styler attachment correspond to the remaining hair length after cutting and range from 1 to 5mm.

1. Attach the attachment to the appliance ('click') (Fig. 27).

27



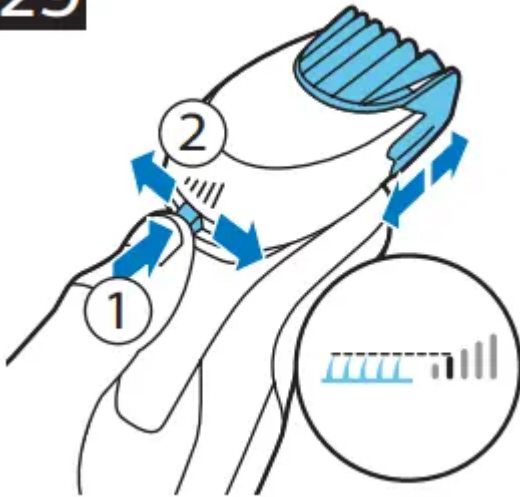
2. Slide the comb straight into the guiding grooves on both sides of the beard styler attachment ('click') (Fig. 28).

28



3. Press the length selector and then push it to the left or right to select the desired hair length setting (Fig. 29).

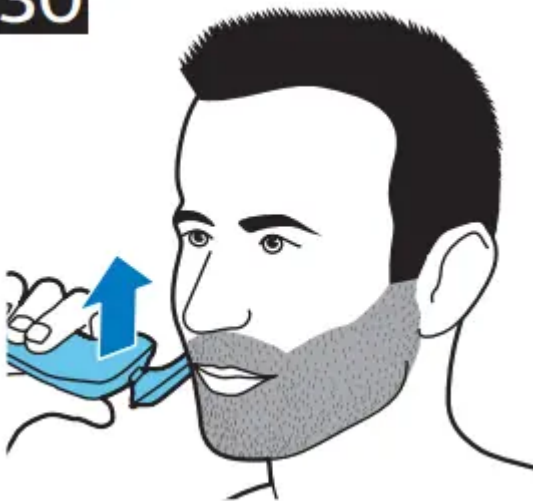
29



4. Switch on the appliance.

5. Move the appliance upwards while you exert gentle pressure. Make sure the front of the comb is in full contact with the skin (Fig. 30).

30



6. Clean the attachment after use (see 'Cleaning and maintenance').

Using the beard styler attachment without comb

You can use the beard styler attachment without the comb to contour your beard, moustache, sideburns or neckline to a length of 0.5mm.

1. Pull the comb off the beard styler attachment.

2. Switch on the appliance.

3. Hold the beard styler attachment perpendicular to the skin and move the appliance downwards while you exert gentle pressure (Fig. 32).

32



4. Clean the attachment after use (see 'Cleaning and maintenance').

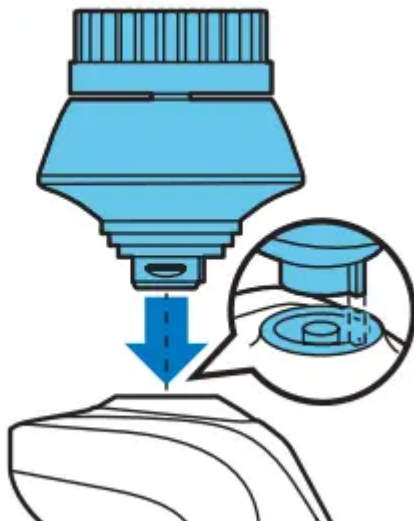
Using the cleansing brush attachment

Use the rotating cleansing brush attachment with your daily cleansing cream. The cleansing brush attachment removes oil and dirt, contributing to a healthy and oil-free skin. We advise you to use it no more than twice a day.

Do not use the appliance on damaged or irritated skin or on wounds.

1. Attach the attachment to the appliance ('click') (Fig. 33).

33



2. Moisten the attachment with water (Fig. 34).

Note: Do not use the appliance with a dry brush attachment, as this can irritate the skin.

34



3. Moisten your face with water and apply a cleanser to your face (Fig. 35).

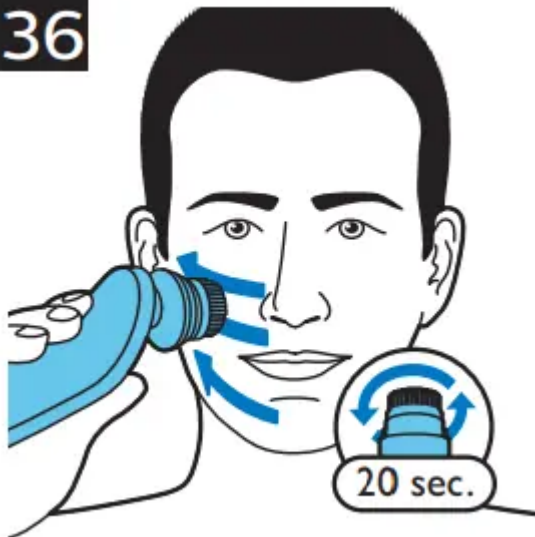


4. Place the attachment on your cheek.

5. Switch on the appliance.

6. Gently move the attachment across your skin from the nose towards the ear (Fig. 36). Do not push the attachment too hard onto the skin to make sure the treatment remains comfortable

36



Do not cleanse the sensitive area around your eyes.

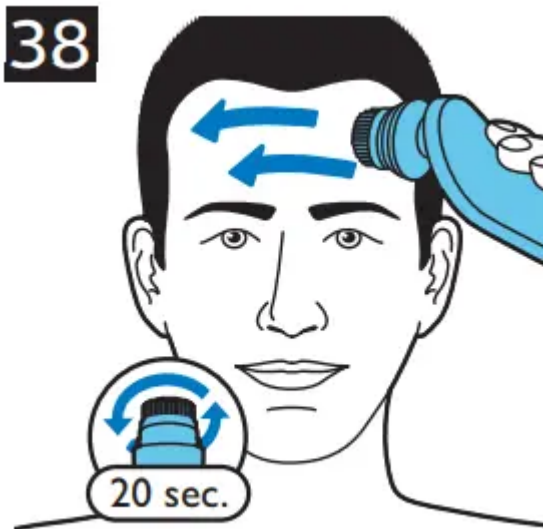
7. After approx. 20 seconds move the appliance to your other cheek and start cleansing this part of your face (Fig. 37).

37

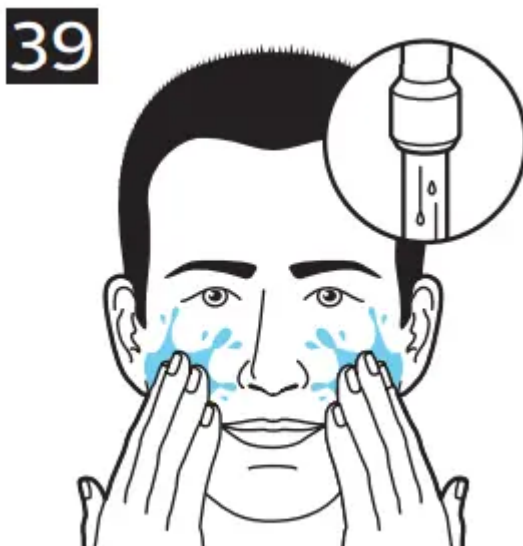


8. After approx. 20 seconds move the appliance to your forehead and start cleansing this part of your face. Gently move the brush head from left to right (Fig. 38).

Note: We advise you to not overdo the cleansing and to not cleanse any zone longer than 20 seconds.



9. After the treatment, rinse and dry your face (Fig. 39). Your face is now ready for the next step of your daily skincare routine.



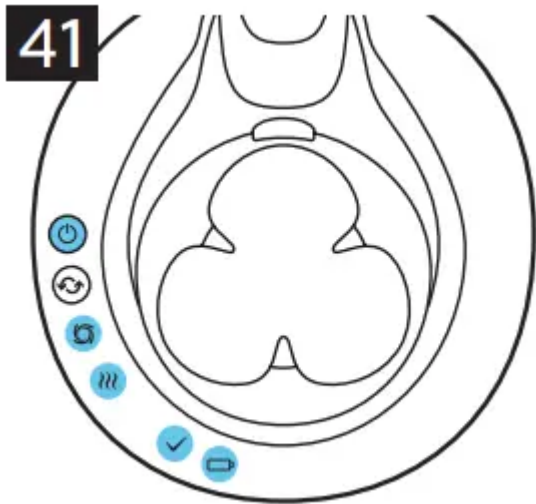
10. Clean the attachment after use (see 'Cleaning and maintenance').

Cleaning and maintenance

Cleaning the shaver in the SmartClean system

The SmartClean system comes in two types. The features available on your SmartClean system differ per type:

- SmartClean system Basic has one phase: the rinsing phase (Fig. 40).
- SmartClean system Plus has two phases: the rinsing phase and the drying phase (Fig. 41).



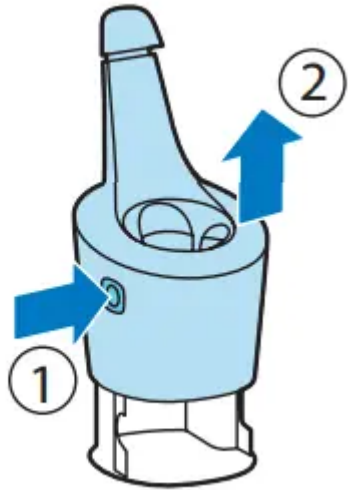
Preparing the SmartClean system for use

Caution: Do not tilt the SmartClean system to prevent leakage (Fig. 42).



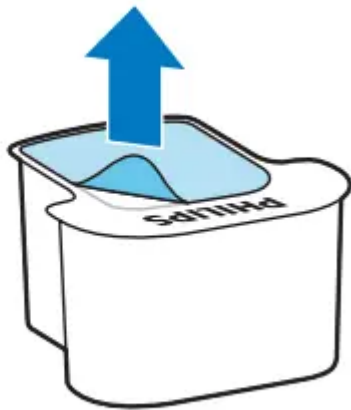
- 1 Put the small plug in the back of the SmartClean system.
- 2 Put the supply unit in the wall socket.
- 3 Press the button on the side of the SmartClean system (1) and lift the top part of the SmartClean system (2) (Fig. 43).

43



4 Pull the seal off the cleaning cartridge (Fig. 44).

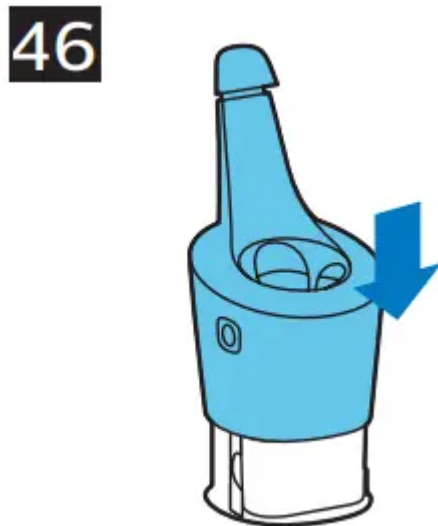
44



5 Place the cleaning cartridge in the SmartClean system (Fig. 45).



6 Push the top part of the SmartClean system back down ('click') (Fig. 46).



Using the SmartClean system

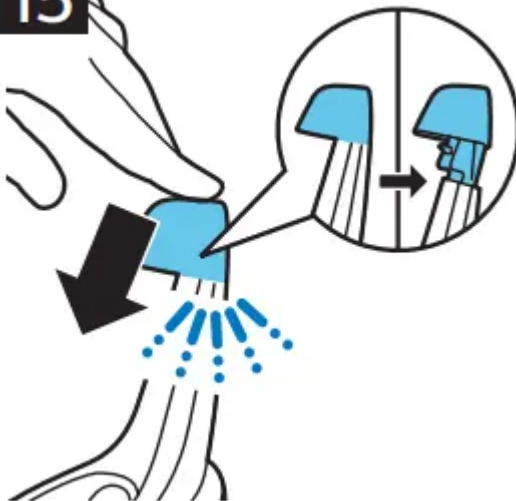
Caution: Always shake excess water off the shaver before you place it in the SmartClean system (Fig. 47).

47



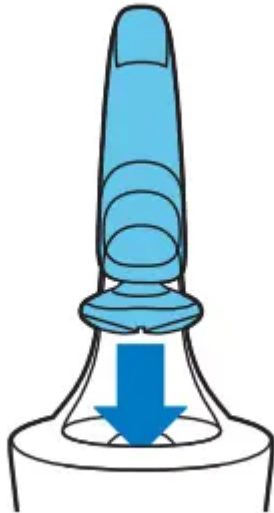
1. Press the top cap to be able to place the shaver in the holder ('click') (Fig. 15).

15



2. Hold the shaver upside down above the holder. Make sure the front of the shaver points towards the SmartClean system (Fig. 16).

16

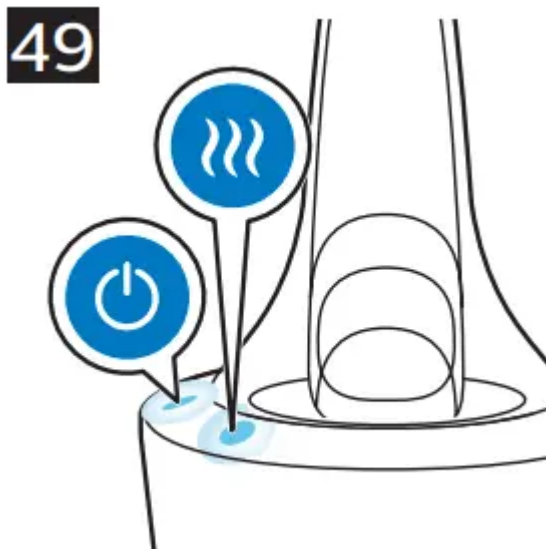
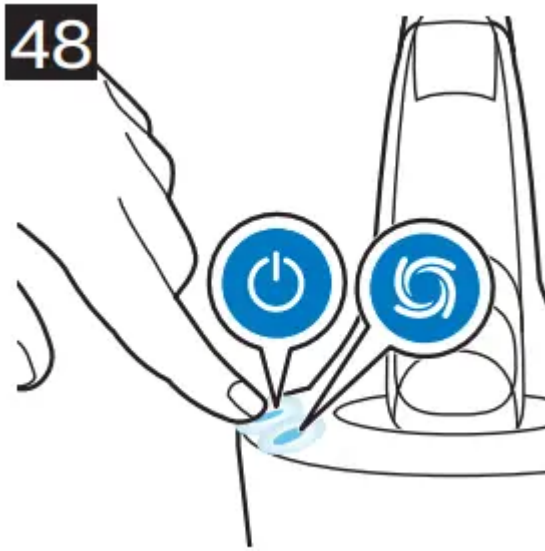


3. Place the shaver in the holder (1), tilt the shaver backwards (2) and press down the top cap to connect the shaver ('click') (3) (Fig. 17). The battery symbol starts to flash, which indicates that the shaver is charging.

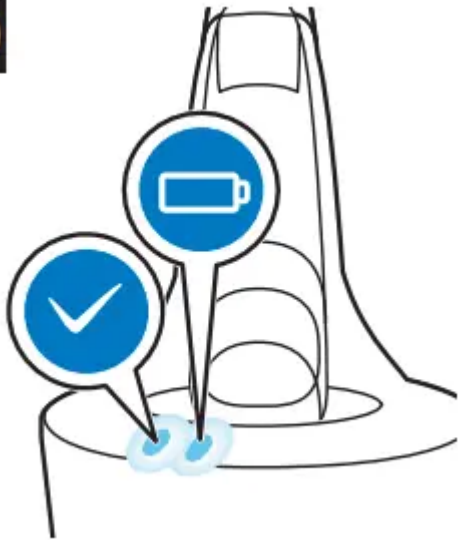


4. Press the on/off button on the SmartClean system to start the cleaning program (Fig. 48). During the rinsing phase, the rinsing symbol flashes. When the rinsing phase is done (after approx. 10 minutes), the rinsing symbol lights up continuously. SmartClean system Plus only: After the rinsing phase, the drying phase starts automatically. During this phase, the drying symbol 22 English flashes. When the drying phase is done (after approx. 4 hours), the drying symbol lights up continuously (Fig. 49). When the cleaning program is done, the ready symbol lights up continuously (Fig. 50). 30 minutes after the cleaning program and charging have been completed, the SmartClean system switches

off automatically. The battery symbol lights up continuously to indicate that the shaver is fully charged (Fig. 50). Charging takes approx. 1 hour.



50



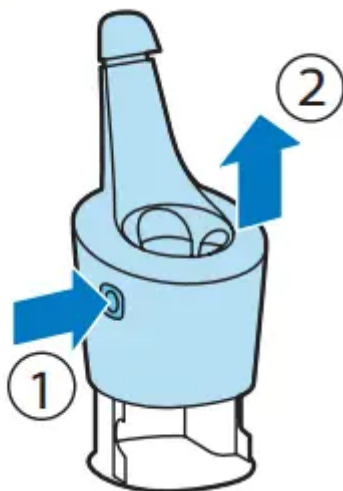
5. SmartClean system Basic only: To let the shaver dry, you can leave it in the SmartClean system until your next shave. You can also remove the shaver from the SmartClean system, shake off excess water, open the shaving unit and let the shaver air dry.

Replacing the cartridge of the SmartClean system

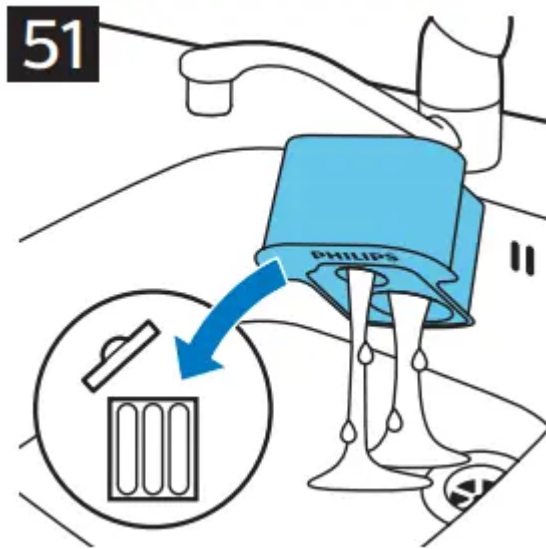
Replace the cleaning cartridge when the replacement symbol flashes orange or when you are no longer satisfied with the cleaning result. If you clean the shaver in the SmartClean system once a week, the SmartClean cartridge lasts approximately three months.

1. Press the button on the side of the SmartClean system (1) and lift the top part of the SmartClean system (2) (Fig. 43).

43

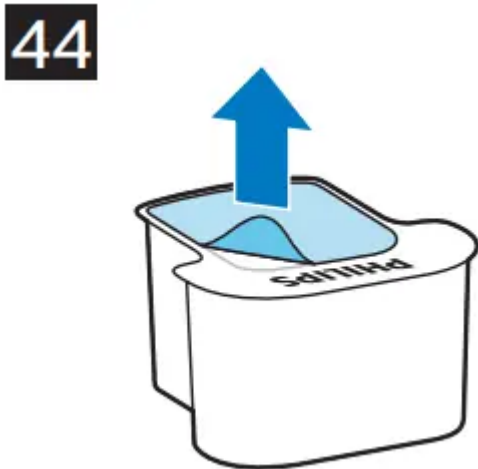


2. Remove the cleaning cartridge from the SmartClean system and pour out any remaining cleaning fluid (Fig. 51). You can simply pour the cleaning fluid down the sink.



3. Throw away the empty cleaning cartridge.

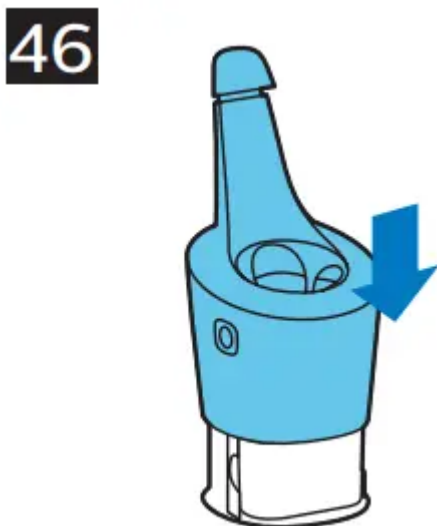
4. Unpack the new cleaning cartridge and pull off the seal (Fig. 44).



5. Place the cleaning cartridge in the SmartClean system (Fig. 45).



6. Push the top part of the SmartClean system back down ('click') (Fig. 46).



Cleaning the shaver under the tap

Clean the shaver after every shave for optimal performance. Never dry the shaving unit with a towel or tissue, as this may damage the shaving heads.

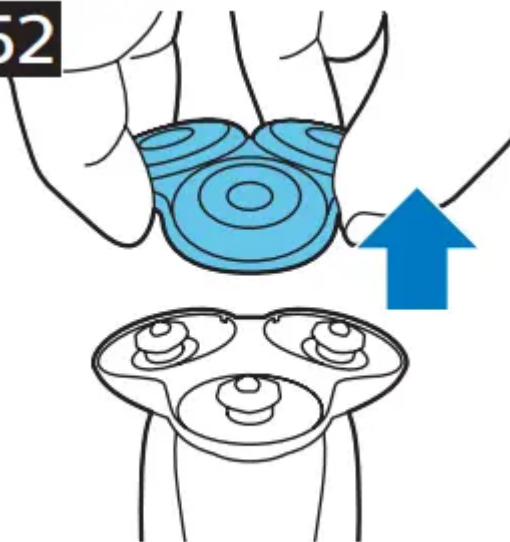
1. Switch on the shaver.
2. Rinse the shaving unit under a warm tap (Fig. 22).

22



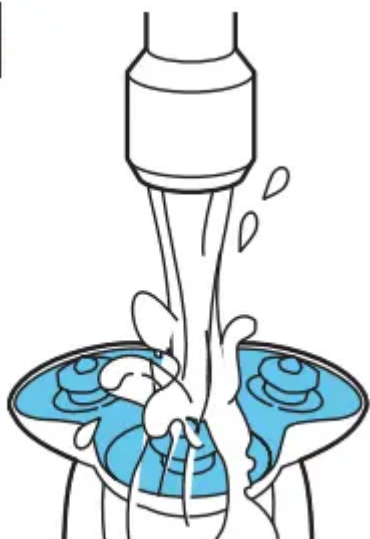
3. Switch off the shaver. Pull the shaving head holder off the bottom part of the shaving unit (Fig. 52).

52



4. Rinse the hair chamber under the tap (Fig. 53).

53



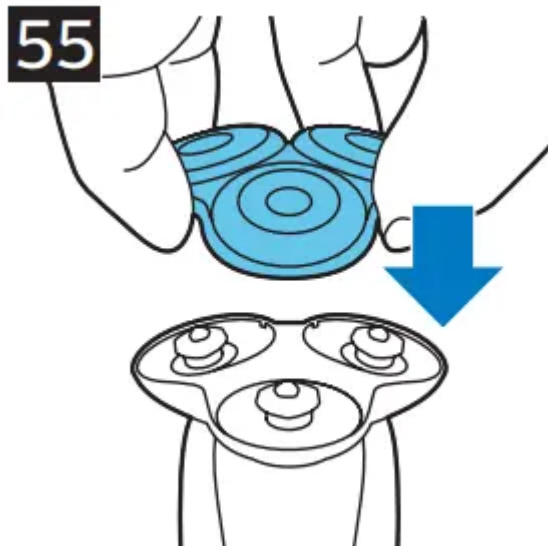
5. Rinse the shaving head holder under a warm tap (Fig. 54).

54



6. Carefully shake off excess water and let the shaving head holder dry.

7. Attach the shaving head holder to the bottom part of the shaving unit ('click') (Fig. 55).



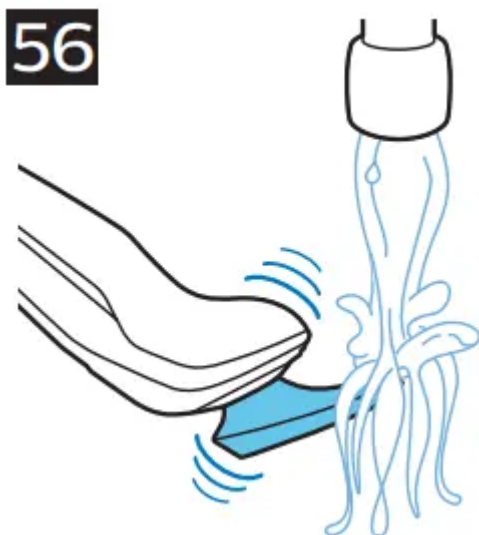
Cleaning the click-on attachments

Never dry trimmer or beard styler attachments with a towel or tissue, as this may damage the trimming teeth. The accessories supplied may vary for different products. The box shows the accessories that have been supplied with your appliance.

Cleaning the trimmer attachment

Clean the trimmer attachment every time you have used it.

1. Switch on the appliance with the trimmer attachment attached.
2. Rinse the attachment under a warm tap (Fig. 56).



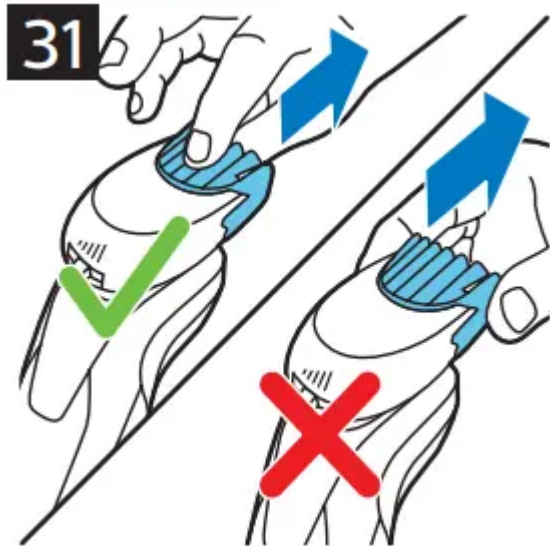
3. After cleaning, switch off the appliance.
4. Carefully shake off excess water and let the attachment dry.

Tip: For optimal performance, lubricate the teeth of the attachment with a drop of sewing machine oil regularly.

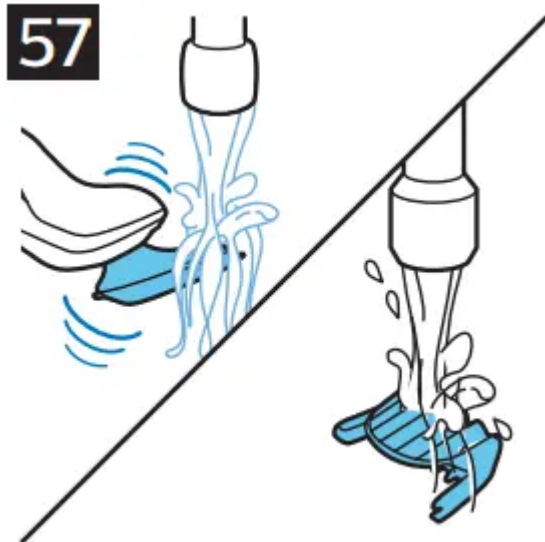
Cleaning the beard styler attachment

Clean the beard styler attachment every time you have used it.

1. Pull the comb off the beard styler attachment. Note: Grab the comb in the centre to pull it off the beard styler attachment. Do not pull at the sides of the comb (Fig. 31).



2. Switch on the appliance.
3. Rinse the beard styler attachment and the comb separately under a warm tap (Fig. 57).



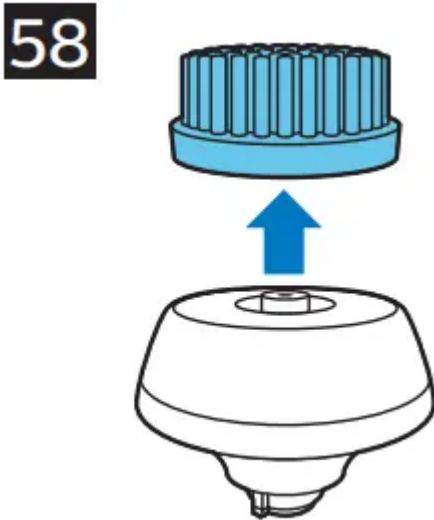
4. After cleaning, switch off the appliance.
5. Carefully shake off excess water and let the beard styler attachment and comb dry.

6. For optimal performance, lubricate the teeth of the attachment with a drop of sewing machine oil regularly.

Cleaning the cleansing brush attachment

Clean the cleansing brush attachment every time you have used it.

1. Switch off the appliance.
2. Detach the brush head from the attachment base (Fig. 58).



3. Clean the parts thoroughly with warm water and soap.
4. Dry the cleansing brush attachment with a towel.

Storage

1. Store the appliance in the pouch supplied (Fig. 59)



2. Put the protection cap on the cleansing brush attachment to protect it from dirt accumulation (Fig. 60).

60



Replacement

Replacing the shaving heads

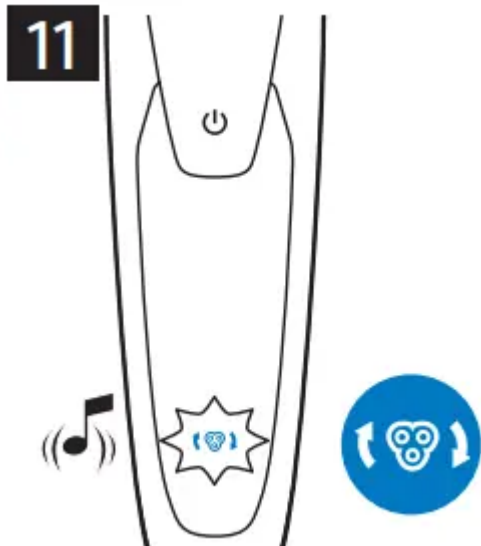
For maximum shaving performance, we advise you to replace the shaving heads every two years (Fig. 61). Replace damaged shaving heads immediately. Always replace the shaving heads with original Philips shaving heads (see 'Ordering accessories')

61

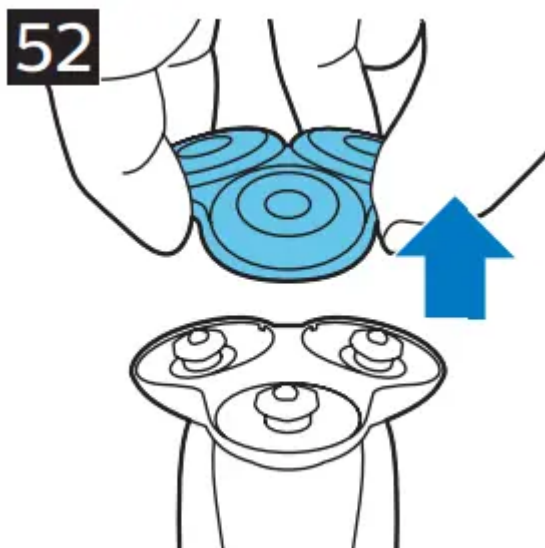


Replacement reminder

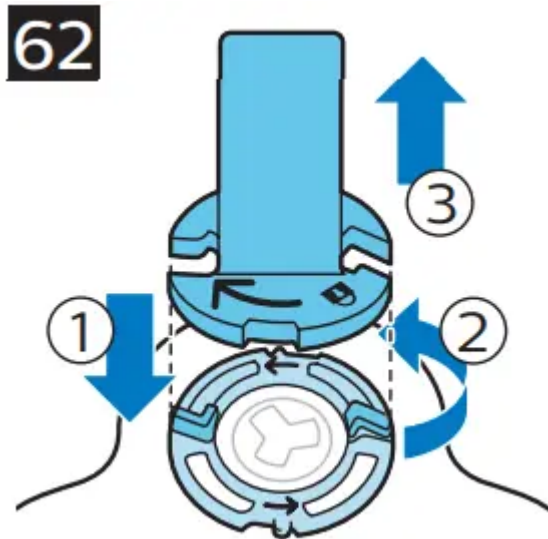
The replacement reminder indicates that the shaving heads need to be replaced. The shaving unit symbol lights up continuously, the arrows flash white and you hear a beep when you switch off the shaver (Fig. 11).



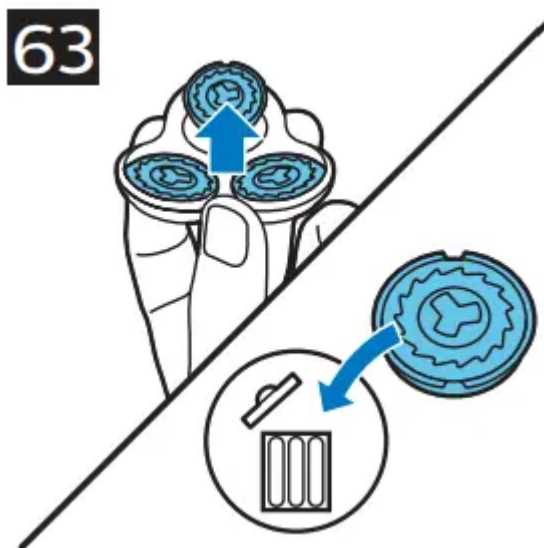
1. Switch off the appliance.
2. Pull the shaving head holder off the bottom part of the shaving unit (Fig. 52).



3. Place the retaining ring holder on the retaining ring (1), turn it anticlockwise (2) and lift it off the shaving head (3) (Fig. 62). Remove the retaining ring from the retaining ring holder and repeat this process for the other retaining rings.

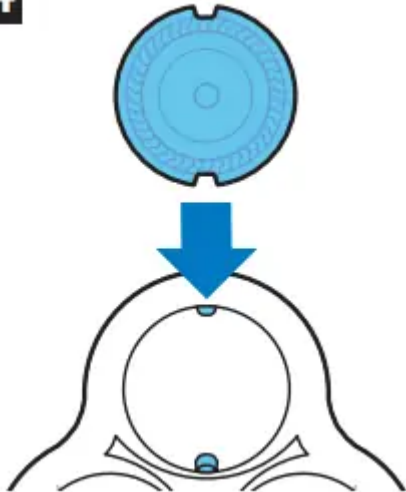


4. Remove the shaving heads from the shaving head holder (Fig. 63). Throw away the used shaving heads immediately to avoid mixing them with the new shaving heads.



5. Place the shaving heads in the shaving head holder (Fig. 64).

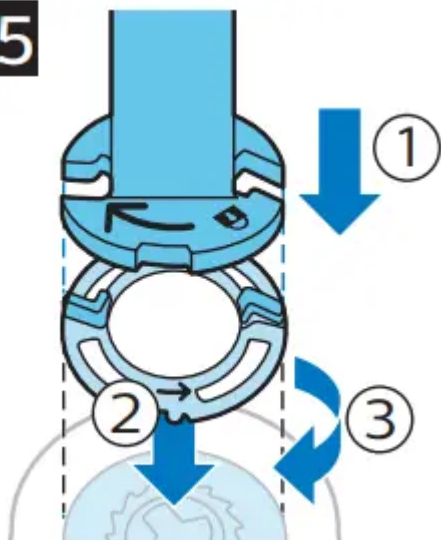
64

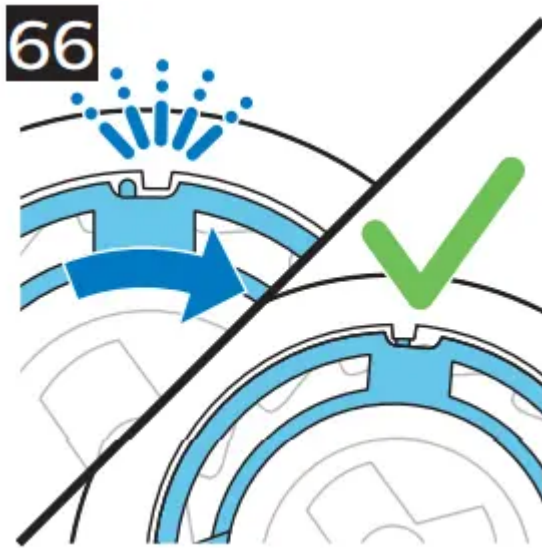


6. Place the retaining ring holder on the retaining ring (1), place it on the shaving head (2) and turn it clockwise (3) to reattach the retaining ring (Fig. 65). Repeat this process for the other retaining rings.

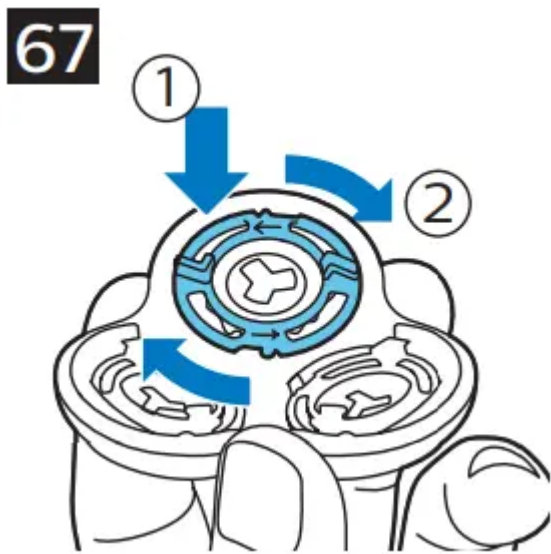
- Each retaining ring has two recesses that fit exactly into the projections of the shaving head holder. Turn the ring clockwise until you hear a click to indicate that the ring is fixed (Fig. 66).

65

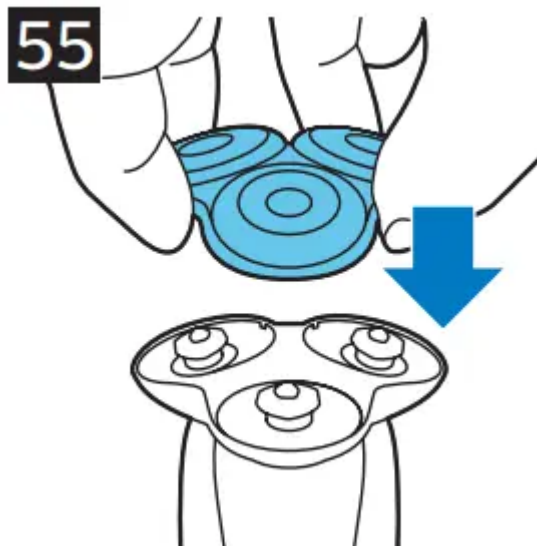




Note: Hold the shaving head holder in your hand when you reinsert the shaving heads and reattach the retaining rings (Fig. 67). Do not place the shaving head holder on a surface when you do this, as this may cause damage



7. Attach the shaving head holder to the bottom part of the shaving unit ('click') (Fig. 55).



8. To reset the replacement reminder, press and hold the on/off button for approx. 7 seconds (Fig. 68). Wait until you hear two beeps.



Replacing the cleansing brush attachment

The brush head should be replaced every 3 months or earlier if the brush hairs are deformed or damaged.

Ordering accessories

The following accessories and spare parts are available:

- SH90 Philips shaving heads
- HQ110 Philips shaving head cleaning spray
- RQ111 Philips beard styler attachment
- RQ585 Philips cleansing brush attachment
- RQ560/RQ563 Philips cleansing brush heads

- JC301/JC302/JC303/JC304/JC305 cleaning cartridge
- HQ8505 supply unit

Recycling

- This symbol means that this product shall not be disposed of with normal household waste (2012/19/EU) (Fig. 69).



- This symbol means that this product contains a built-in rechargeable battery which shall not be disposed of with normal household waste (Fig. 70) (2006/66/EC). We strongly advise you to take your product to an official collection point or a Philips service centre to have a professional remove the rechargeable battery.



- Follow your country's rules for the separate collection of electrical and electronic products and rechargeable batteries. Correct disposal helps prevent negative consequences for the environment and human health.

Removing the rechargeable shaver battery

Only remove the rechargeable battery when you discard the shaver. Before you remove the battery, make sure that the shaver is disconnected from the wall socket and that the battery is completely empty.

Take any necessary safety precautions when you handle tools to open the shaver and when you dispose of the rechargeable battery.

Be careful, the battery strips are sharp.

1. Insert the screwdriver into the slot between the front and back panel in the bottom of the appliance. Remove the back panel.
2. Remove the front panel.
3. Unscrew the two screws at the top of the inner panel and remove the inner panel.
4. Remove the rechargeable battery with a screwdriver.

Troubleshooting

Shaver

Problem	Possible cause	Solution
The appliance does not work when I press the on/off button.	The appliance is still attached to the wall socket. For safety reasons, the appliance can only be used without cord.	Unplug the appliance and press the on/off button to switch on the appliance.
	The rechargeable battery is empty.	Recharge the battery (see 'Charging').
	The travel lock is activated.	Press the on/off button for 3 seconds to deactivate the travel lock.
	The shaving unit is soiled or damaged to such an extent that the motor cannot run.	Clean the shaving heads thoroughly or replace them. Also see 'Hairs or dirt obstruct the shaving heads' for a detailed description of how to clean the shaving heads thoroughly.
The appliance does not shave as well as it used to.	The shaving heads are damaged or worn.	Replace the shaving heads (see 'Replacement').
	Hairs or dirt obstruct the shaving heads.	Clean the shaving heads in the regular way (see 'Cleaning and maintenance') or clean them thoroughly
		To clean the shaving heads thoroughly, remove the shaving heads from the shaving head holder one by one (see 'Replacement'). Then separate the cutter from its guard and rinse each matching set under the tap. After rinsing, place the cutter back into its corresponding guard. Finally, put the shaving heads back into the shaving head holder (see 'Replacement').
I replaced the shaving heads, but	You have not reset the appliance	Reset the appliance by pressing the on/off button for approx. 7 seconds.

the display still shows the replacement reminder.		
A shaving unit symbol has suddenly appeared on the display	This symbol reminds you to replace the shaving heads.	Replace the shaving heads (see 'Replacement')
An exclamation mark has suddenly appeared on the display while the appliance is charging.	The appliance is overheated.	Disconnect the appliance from the wall socket for approx. 10 minutes.
An exclamation mark, the replacement reminder and the cleaning reminder have suddenly appeared on the display.	The shaving heads are damaged.	Replace the shaving heads (see 'Replacement').
	The shaving heads are soiled.	Clean the shaving heads (see 'Cleaning and maintenance'). Also see 'Hairs or dirt obstruct the shaving heads' for a detailed description of how to clean the shaving heads thoroughly.
Water is leaking from the bottom of the appliance.	During cleaning, water may collect between the inner body and the outer shell of the appliance.	This is normal and not dangerous because all electronics are enclosed in a sealed power unit inside the appliance.

SmartClean system

Problem	Possible cause	Solution
The SmartClean system does not work when I press the on/off button.	The SmartClean system is not connected to the wall socket.	Put the small plug in the SmartClean system and put the supply unit in the wall socket.
	The cleaning cartridge is empty. The replacement symbol flashes to indicate that you have to replace the cleaning cartridge.	Place a new cleaning cartridge in the SmartClean system.
The shaver is not entirely clean after I clean it in the SmartClean system.	You have not placed the shaver in the SmartClean system properly, so there is no electrical connection between the SmartClean system and the shaver.	Press down the top cap ('click') to ensure a proper connection between the shaver and the SmartClean system.
	The cleaning cartridge needs to be replaced.	Replace the cleaning cartridge.
	You have used another cleaning fluid than the original Philips cleaning cartridge	Only use the original Philips cleaning cartridge.
	The drain of the cleaning cartridge is blocked.	Remove the cartridge from the SmartClean system and push the hairs down the drain with a toothpick.
The shaver is not fully charged after I charge it in the SmartClean system.	You have not placed the shaver in the SmartClean system properly, so there is no electrical connection between the SmartClean system and the shaver.	Press down the top cap ('click') to ensure a proper connection between the shaver and the SmartClean system.

Warning

This content is compiled from multiple sources and is provided for reference purposes only. It may not be complete or fully applicable to all situations. If you are unable to resolve your issue, please contact the product manufacturer or an authorized service provider for official support.

Document generated by [ManualsFile](#)

