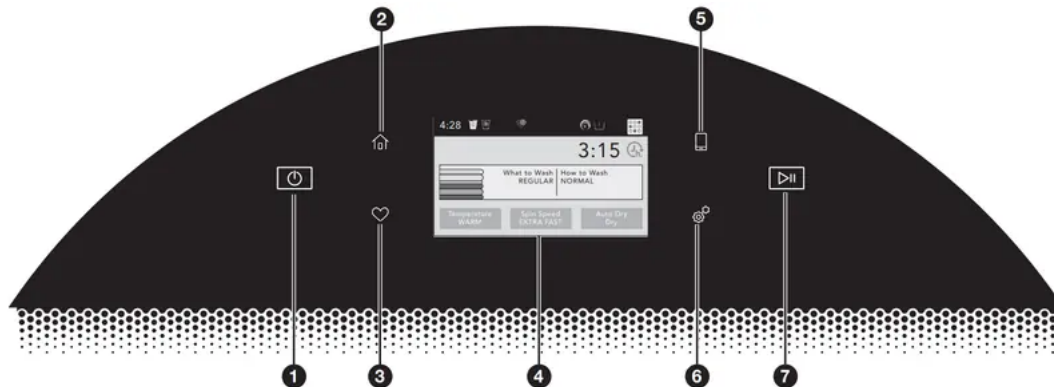


OPERATING INSTRUCTIONS

Control Panel and Features



NOTE: The control panel features a sensitive surface that responds to a light touch of your finger. To ensure your selections are registered, touch the control panel with your fingertip, not your fingernail.

1. POWER BUTTON

Touch to power up the washer.

2. HOME BUTTON

Touch this button and the LCD screen will show the home screen, where you can select your cycle, settings, and options.

3. FAVORITES BUTTON

Stores and accesses your favorite cycles and a history of your recently run cycles.

4. LCD SCREEN

Use this screen to select cycle, settings, options, etc.

5. REMOTE ENABLE BUTTON

Download the Whirlpool™ app and follow the instructions to connect your washer to your home Wi-Fi network. After connecting to WiFi, touch the REMOTE ENABLE button any time you want to use the app. Touching this button locks out the LCD screen and you will be prompted with a message about the washer waiting for input from the app. If you want to exit this mode, touch the REMOTE ENABLE button again.

6. TOOLS BUTTON

Touch this button to access the tools screen. For more information, see “Using Your Washer” Step 12.

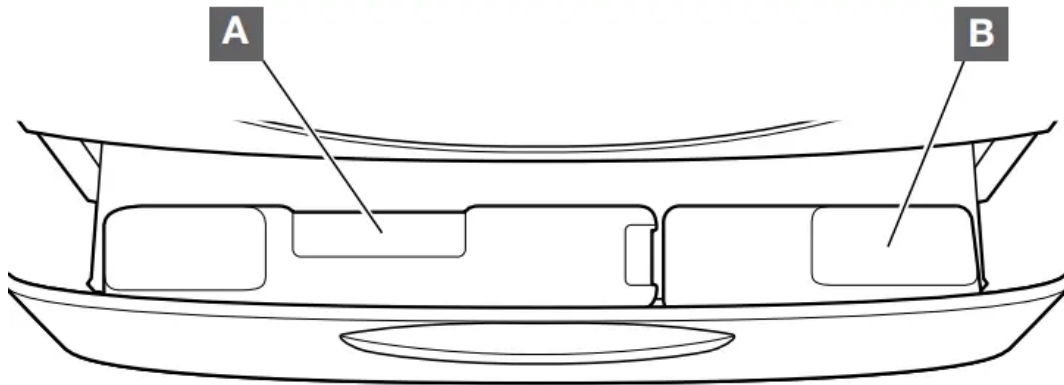
7. START/PAUSE BUTTON

Touch and hold to start, or touch to pause a cycle. When you start a cycle, the door will lock, the washer will sense the load size, and the wash cycle will begin.

8. DISPENSERS

Load & Go™ Bulk Dispenser

The Load & Go™ dispenser gives you the convenience of not having to add HE detergent and fabric softener to the wash load every time. It also determines the best time and amount to add the detergent to the load. See the “Using the Dispensers” section for information on using the dispenser drawer.



A. 2-Liter Bulk Liquid High Efficiency (HE) detergent dispenser

This bulk dispenser holds up to 67.6 oz (2 L) of liquid HE detergent.

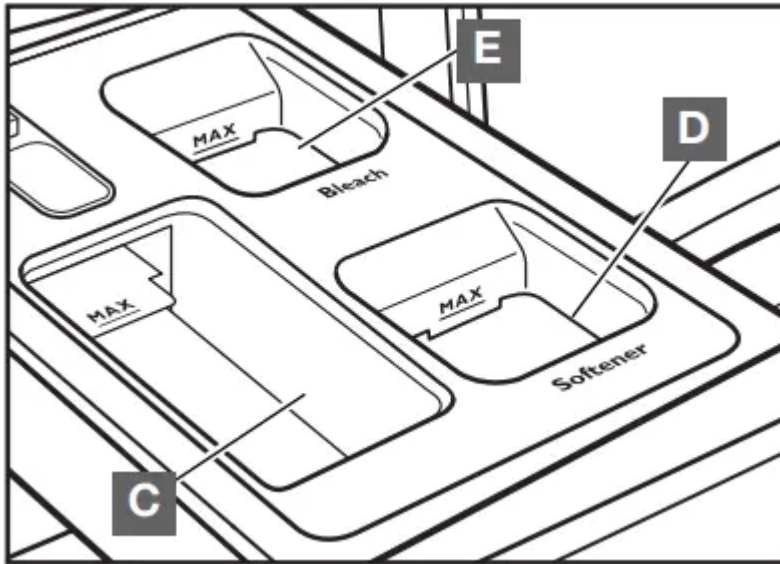
B. 1-Liter Bulk Liquid High Efficiency (HE) detergent/ fabric softener dispenser

This bulk dispenser holds up to 33.8 oz (1 L) of liquid HE detergent or liquid fabric softener.

Each dispenser holds enough detergent or fabric softener for many loads of laundry. Each adds the appropriate quantity to the wash load at the proper time. See the “Using the Dispensers” section for information on using the dispenser.

Single-load dispenser drawer

The single-load dispenser drawer gives you the convenience of adding HE detergent, liquid chlorine bleach, and liquid fabric softener to the wash load at the proper time. See the “Using the Dispensers” section for information on using the dispenser drawer.



C. High Efficiency (HE) detergent compartment

This compartment holds liquid or powdered HE detergent for your main wash cycle, and automatically dispenses detergent in the cycle.

D. Liquid fabric softener compartment

This compartment holds liquid fabric softener. It automatically dispenses liquid fabric softener at the optimum time in the cycle.

E. Liquid chlorine bleach compartment

This compartment automatically dilutes and dispenses liquid chlorine bleach at the optimum time during the first rinse after the wash cycle. It cannot dilute powdered bleach.

Choosing the Right Detergent

Use only High Efficiency detergents. The package will be marked “HE” or “High Efficiency.” Low-water washing creates excessive sudsing with a non-HE detergent. Using non-HE detergent will likely result in longer cycle times and reduced rinsing performance. It may also result in component malfunction and, over time, buildup of mold or mildew. HE detergents should be low-sudsing and quick-dispersing to produce the right amount of suds for the best performance. They should hold soil in suspension so it is not redeposited onto clean clothes. Not all detergents labeled as High Efficiency are identical in formulation and their ability to reduce suds. For example, natural, organic, or homemade HE detergents may generate a high level of suds. Always follow the detergent manufacturer’s instructions to determine the amount of detergent to use



Use only High Efficiency (HE) detergent.

About Detergent Concentration

Today's liquid HE detergents are concentrated. Most brands of concentrated HE detergent will show the level of concentration on the bottle.

However, if the detergent bottle does not give the concentration, it can be easily calculated. Just divide the package size in fluid ounces by the number of loads. Then refer to the chart below to find the concentration.

Set the concentration level setting on the washer by using the Tools button (see Step 12 in "Using Your Washer"). If you do not get your desired cleaning results, set the concentration level to a lower concentration number. If you have excess suds, set the concentration level to a higher concentration number

Concentration	Number of ounces ÷ number of loads
2X	1.5–2.49 (44.4 mL–73.6 mL)
3X	0.9–1.49 (26.6 mL–44.1 mL)
4X	0.7–0.89 (20.7 mL–26.3 mL)
5X	0.5–0.69 (14.8 mL–20.4 mL)
6X	0.3–0.49 (8.9 mL–14.5 mL)

Using the Dispensers

1. For automatic dispensing, open the bulk dispenser drawer using the handle at the base of the washer. For a single load, open the single-load dispenser drawer at the top left corner of the washer and disable the Load & Go™ option.
2. Add laundry products as described below.
3. Slowly close the dispenser drawer. Make sure it is completely closed.

NOTES:

- A small amount of water may remain in the single load dispenser from the previous wash cycle. This is normal.
- See "About Detergent Concentration" for information on detergent concentration.
- When detergent in the bulk dispenser is running low, the display will show the detergent level (Low).

- Add single-dose and Oxi-type boosters to the drum before loading items. See the “Using Your Washer” section.

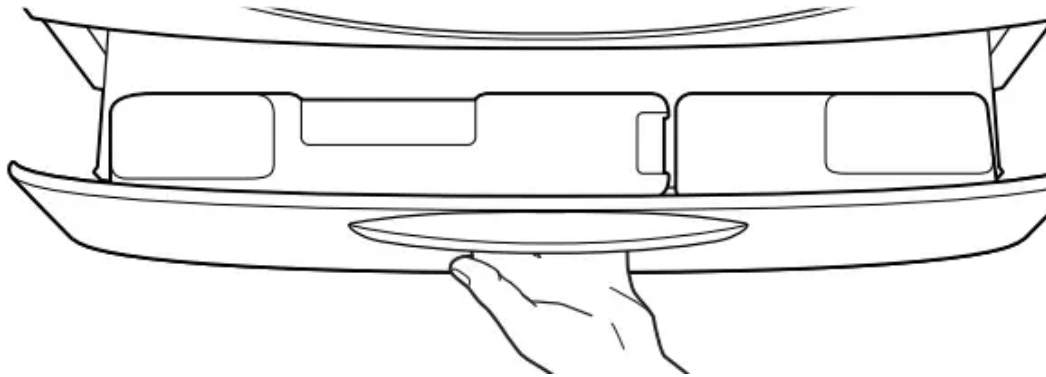
Adding HE detergent to dispenser

Load & Go™ bulk dispenser

Use only High Efficiency (HE) liquid detergents. The bulk dispensers will hold about 67.6 oz (2 L) or 33.8 oz (1 L) of liquid HE detergent, depending on dispenser, or enough for many loads of laundry

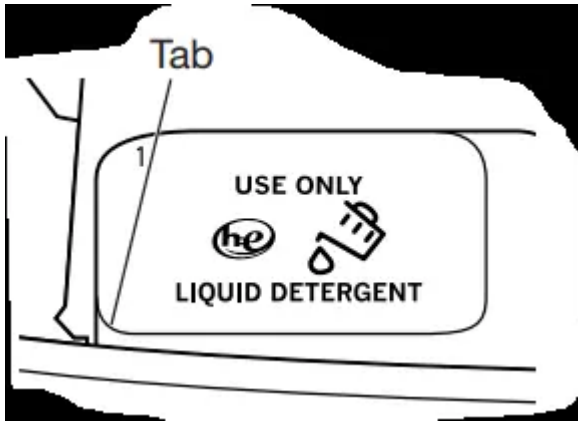


To Fill Bulk Dispensers:



Open the dispenser drawer by pulling on the handle at the base of the washer. If desired, the bulk dispensers can be completely removed from the drawer.

Locate the Load & Go™ bulk dispenser. Gently pull up on the tab located on the bulk dispenser lid to lift the fill door.

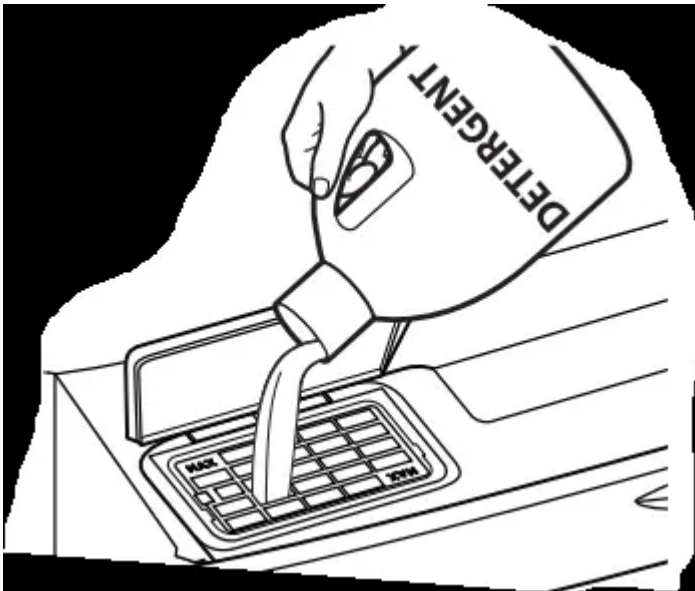


Fill to the “MAX” line (see illustrations at right) with HE liquid detergent or liquid fabric softener (1-liter dispenser only). Close fill door. It will click into place. Make sure the concentration setting is correct (see the “Choosing the Right Detergent” section).

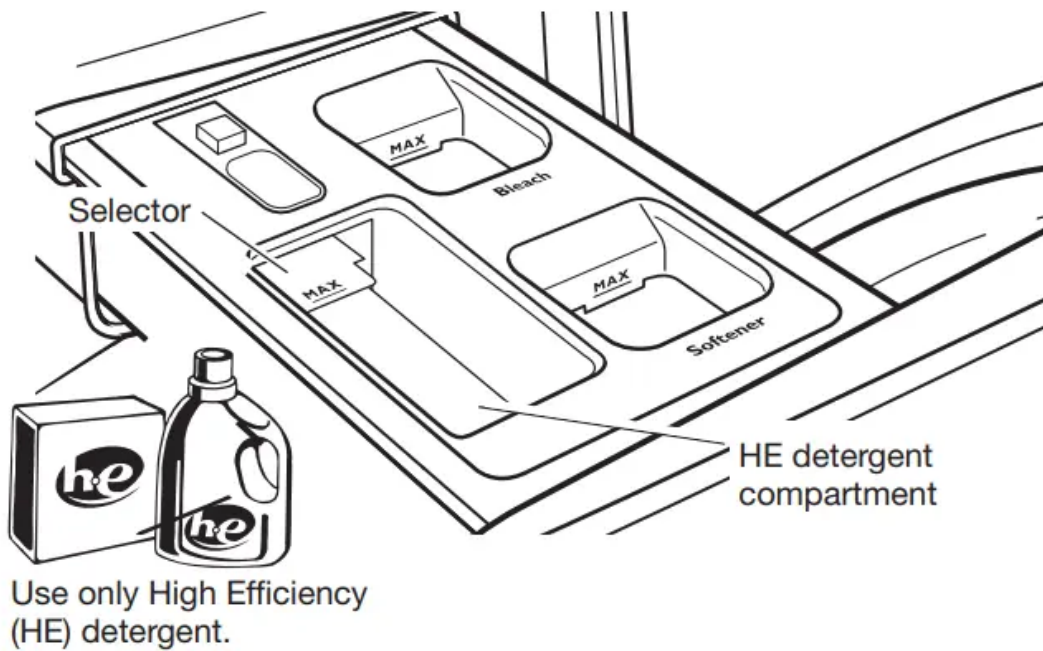


It is recommended that you rinse out the Load & Go™ containers when refilling, when changing detergent types or concentrations, or when the washer will not be used for an extended period. For instructions on cleaning the dispenser cartridge, see the “Washer Care” section.

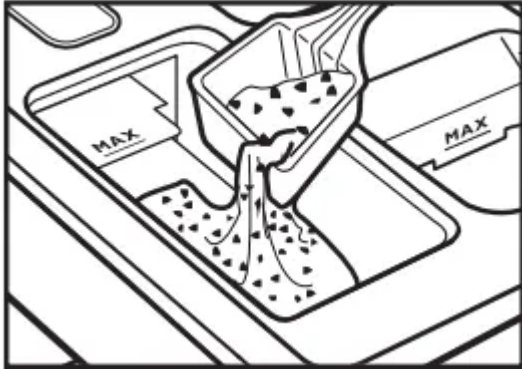
For instructions on changing detergent concentration, see “Using Your Washer, Step 12.”



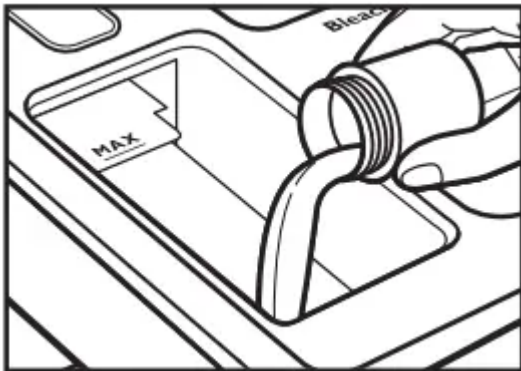
Adding detergent for a single load



Pour a measured amount of HE detergent into detergent compartment. For powdered detergent, lift the selector to the high position. For liquid detergent, push down the selector to the low position. Do not overfill; adding too much detergent may cause detergent to be dispensed into the washer too early.



Powdered detergent: Lift the selector to the high position. Add directly to the compartment.



Liquid detergent: Push down the selector to the low position. Add directly to the compartment.

IMPORTANT:

- Disable Load & Go™ dispenser(s) as desired (see Step 12 in “Using Your Washer”).
- Do not add single-dose laundry packet to dispenser drawer.

USING YOUR WASHER

First wash cycle without laundry

Before washing clothes for the first time, set up the Load & Go™ bulk dispenser or add detergent to the single-dose dispenser (see the “Using the Dispensers” section). Choose the Regular (what to wash) and Quick (how to wash) cycle and run it without clothes. Use only HE detergent. This initial cycle serves to ensure the interior is clean.

1. Sort and prepare your laundry

Sort items by recommended cycle, water temperature, and colorfastness. Separate heavily soiled items from lightly soiled. Separate delicate items from sturdy fabrics. Treat stains promptly and check for colorfastness by testing stain remover products on an inside seam.

IMPORTANT:

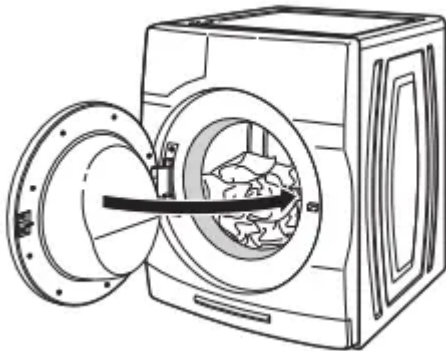
- Empty pockets. Loose change, buttons, or any small object can plug pumps and may require a service call.
- Close zippers, fasten hooks, tie strings and sashes, and remove non-washable trim and ornaments.
- Mend rips and tears to avoid further damage to items during washing.
- Turn knits inside out to prevent pilling. Separate lint-takers from lint-givers. Synthetics, knits, and corduroy fabrics will pick up lint from towels, rugs, and chenille fabrics.
- Do not dry garments if stains remain after washing because heat can set stains into fabric.
- Always read and follow fabric care labels and laundry product instructions. Improper usage may cause damage to your garments.

2. Add laundry products, if desired

Single-dose laundry packets, Oxi-type boosters, color-safe bleach, or scented crystals can be added to the drum prior to adding laundry. When using single-dose laundry packets, make sure that the bulk dispenser is disabled (on some models) or off (see the “Control Panel and Features” section).

NOTE: Always follow manufacturer’s instructions.

3. Load laundry into washer



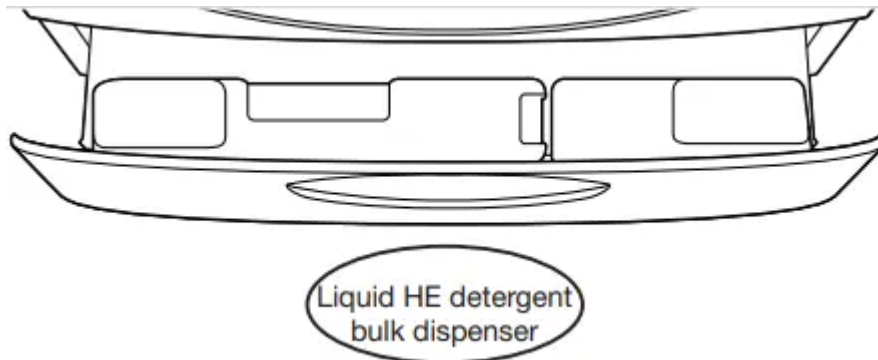
Place a load of sorted items loosely in the washer. Items need to move freely for best cleaning and to reduce wrinkling and tangling. If using the Wash & Dry option, loading the drum half full or less and not interrupting the drying cycle by opening the door will improve drying performance and cycle time. Close the washer door by pushing it firmly until the latch clicks.

- Push load fully into the washer. Make sure no items are resting on the rubber seal to avoid trapping them between the seal and the door window.
- Mix large and small items and avoid washing single items. Load evenly.

- Wash small items in mesh garment bags. For multiple items, use more than one bag and fill bags equally.

4. Add HE detergent

Load & Go™ Bulk Dispenser



If the bulk dispenser already contains enough detergent to wash your load, ensure the Load & Go™ dispenser you want to use is enabled as described in Step 12. If you need to add detergent to the bulk dispenser, see the “Using the Dispensers” section.

OR

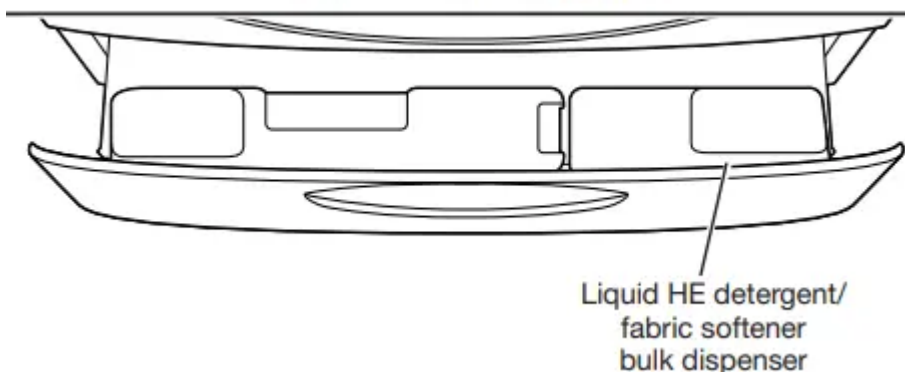
Single-Load Dispenser Drawer

Adjust the selector, based on type of HE detergent used (either liquid or powdered). Add a measured amount of detergent directly into the detergent compartment. See “Using the Dispensers” section. Disable the Load & Go™ dispenser(s).

NOTE: Do not add single-dose laundry packets, Oxi-type boosters, color-safe bleach, or scented crystals to dispensers. They will not dispense correctly

5. Add liquid fabric softener, if desired

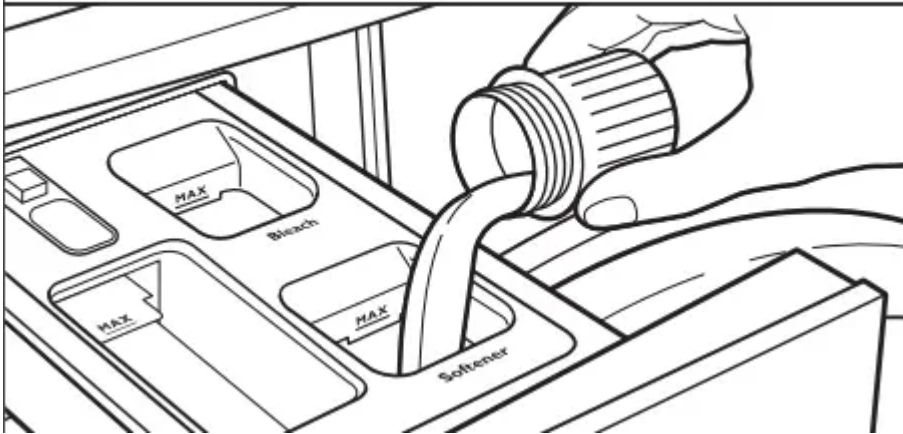
Load & Go™ Bulk Dispenser



If the bulk dispenser already contains enough fabric softener for your load, ensure the 1-Liter Load & Go™ dispenser is enabled as described in Step 12. If you need to add fabric softener to the bulk dispenser, see the “Using the Dispensers” section.

OR

Single-Load Dispenser Drawer



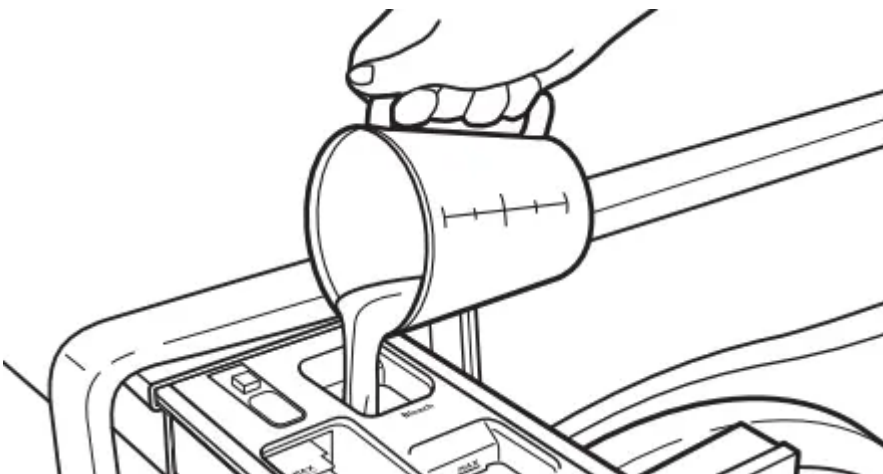
Pour a measured amount of liquid fabric softener into liquid fabric softener compartment. Always follow manufacturer's directions for correct amount of fabric softener, based on your load size. Disable the 1-Liter Load & Go™ dispenser if not used to dispense detergent.

Fabric softener is always dispensed in the last rinse, even if Extra Rinse is selected

IMPORTANT: Do not overfill, dilute, or use more than the manufacturer-recommended quantity of fabric softener. Do not fill past the "MAX" line. Overfilling dispenser will cause fabric softener to immediately dispense into washer.

- Do not spill or drip any fabric softener onto the clothes.
- Do not use liquid fabric softener dispenser balls in this washer. They will not dispense correctly
- Do not use fabric softener sheets.

6. Add liquid chlorine bleach to single load dispenser, if desired



Add liquid chlorine bleach to the bleach compartment. Do not overfill, dilute, or use more than 2/3 cup (165 mL). Do not use color-safe bleach or Oxi in the same cycle with liquid chlorine bleach.

IMPORTANT:

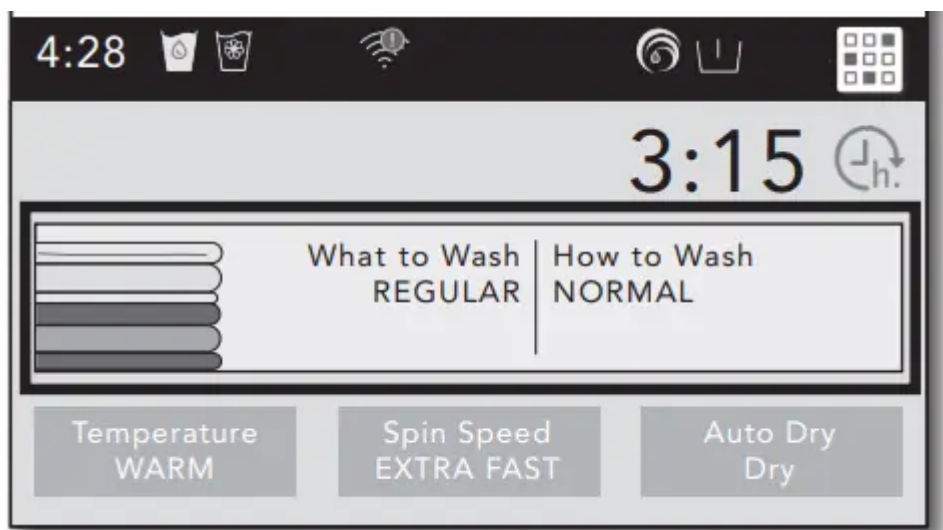
- Always measure liquid chlorine bleach. Use a measuring cup with a pour spout; do not guess.
- Do not fill beyond the “MAX” line. Overfilling could cause garment damage.
- Do not use thickened, easy-pour, or no-splash bleach when running the Clean Washer with affresh® cycle, as excess suds may occur.
- Do not add liquid chlorine bleach to the bulk dispenser.
- Slowly close dispenser drawers. Make sure the drawers are closed completely

7. Touch POWER to turn on washer



Touch until the indicators turn on.

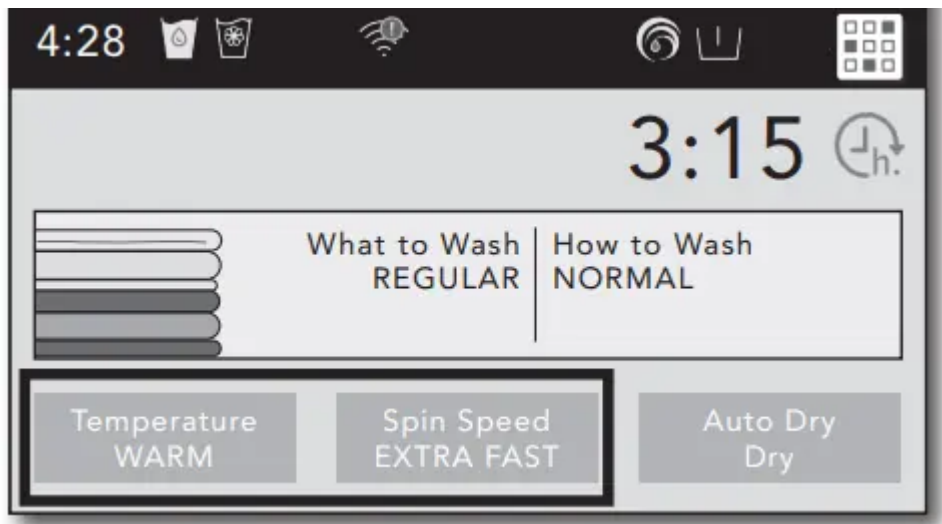
8. Select wash program/cycle



From the home screen, touch the “What to Wash” area of the screen to select the program that best matches the items you want to wash. You may need to scroll down with your finger to see all of the selections. Touch the desired program to return to the home screen. Touch the “How to Wash” area of the screen to select the program that best matches the method that you would like to wash those items. You may need to scroll down with your finger to see all of the selections. Touch the desired program to return to the home screen.

9. Adjust temperature and spin speed, if desired





To adjust temperature:

From the home screen, touch the “Temperature” area of the screen to show the Temperature settings available for the cycle/program chosen in Step 8. Touch the desired setting and touch OKAY to confirm that setting.

The recommended wash temperature is preset for each cycle. Some preset temperatures can be changed. You may select a different wash temperature based on the level of soil and type of fabric being washed. For best results, use the warmest wash water safe for your fabric, following the garment label instructions. All wash temperatures feature a cold rinse.

To adjust spin speed:

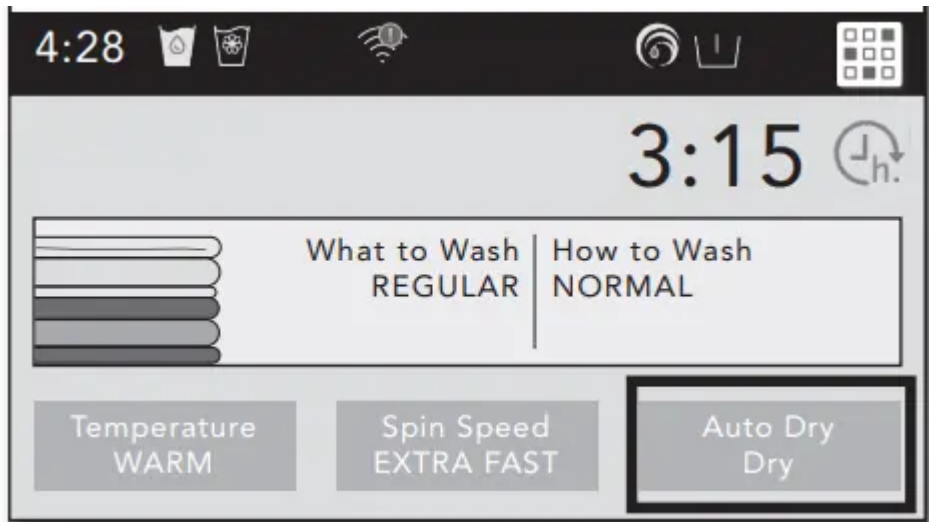
Touch the “Spin Speed” area of the screen to show the Spin Speed settings available for the cycle/program chosen in Step 8. Touch the desired setting and touch OKAY to confirm that setting.

The recommended spin speed is preset for each cycle. Some preset speeds can be changed.

- Faster spin speeds mean shorter dry times, but may increase wrinkling in your load.
- Slower spin speeds reduce wrinkling, but will leave your load more damp.

Drying Function (Step 10)

10. Select drying function, if desired

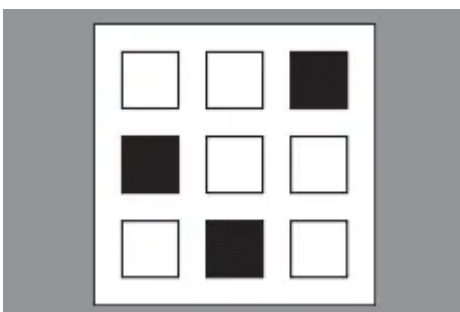


From the home screen, touch the “Drying Mode” area of the screen to show the available Drying Mode settings. From the Drying Mode screen, choose between Automatic Drying and Timed Drying. For Automatic Drying, touch AUTO DRY; then touch the screen to choose between Damp Dry, Dry, and Extra Dry. For Timed Drying, touch TIMED DRY; then touch the screen to choose from among 240 min, 270 min, 300 min, 330 min, and 360 min. Expect longer drying times than with traditional vented dryers.

To run a dry cycle only: Load the drum half full or less for optimal drying performance and cycle time. From the home screen, touch the “Drying Mode” area of the screen to show the available Drying Mode settings, and from the Drying Mode screen, after making the Automatic Drying or Timed Drying choices as mentioned above, touch “DRYING ONLY ON.” Do not open the door during the drying cycle.

NOTE: The washer will spin at high speed prior to running the dry cycle

11. Select options, if desired



From the home screen, touch the Options icon (at upper right of screen) and the Options screen will show Soil Level, Extra Rinse, Pre-Soak, FanFresh®, Steam Clean, and Wrinkle Shield™ selections. Previously selected “What to Wash” and “How to Wash” options will be shown on the screen. Touch the screen for each option to change its setting.

Soil Level Option

The recommended soil level is preset for each cycle. The Soil Level option allows you to select a Light, Normal, or Heavy soil level setting. Some preset soil levels can be changed. For heavily soiled and sturdy fabrics, select the Heavy soil level setting.

For lightly soiled and delicate fabrics, select the Light soil level setting. Lower soil level settings will help reduce tangling and wrinkling.

Extra Rinse Option

The Extra Rinse option provides an additional rinse to the selected cycle.

Pre-Soak Option

The Pre-Soak option can be set for 30 min, 1 hr or 8 hrs. **FanFresh® Option**

The FanFresh® option will periodically tumble the load after the end of the cycle for up to 12 hours. Touch FAN FRESH to activate this option. This option is not available when a drying mode is selected. FanFresh® may be ended at any time by touching the “X” on the touch screen to the right of the estimated time remaining.

Steam Clean Option

The Steam Clean option adds additional soak and wash time to many cycles to help remove tough stains, as well as a steam boost for added cleaning power. An integrated heater helps to maintain optimal wash temperatures. See the “Cycle Guide” for cycles that allow the Steam Clean option.

Wrinkle Shield™ Option

The Wrinkle Shield™ option is only available when a drying mode is selected, and will periodically tumble the load after the end of the cycle for up to 12 hours. Wrinkle Shield™ may be ended at any time by touching the “X” on the touch screen to the right of the estimated time remaining.

†Not all options and settings are available with all programs/cycles. See “Cycle Guide” for available options and settings.

12. Use Tools button to change other settings, if desired



The Tools button gives access to many other settings, utility cycles, preferences, and information. Touch the TOOLS button to access the Tools screen, which contains the following (you will need to scroll down with your finger to access all of the selections):

Load & Go™ Dispenser 1

Touch this icon to access:

Load & Go™ Status Dispenser 1 and choose between:

- Active
- Disabled (1 Cycle)
- Off (Permanently)

Detergent Concentration Dispenser 1 and choose between:

- 2X
- 3X
- 4X
- 5X
- 6X
- 8X

Load & Go™ Dispenser 2

Touch this icon to access:

Load & Go™ Status Dispenser 2 and choose between:

- Active
- Disabled (1 Cycle)
- Off (Permanently)

Load & Go™ Content Dispenser 2 and choose between:

- Softener
- Detergent

Once set at Detergent:

Set Concentration Dispenser 2 and choose between:

- 2X
- 4X
- 6X
- 8X

Control Lock

Touch this icon to lock the controls. Swipe up to unlock.

Mute

Touch this icon to mute or unmute sounds.

Utility Cycles

Touch this icon to access the following utility cycles: Drain & Spin and the Clean Washer with affresh® cycle. Touch the utility cycle you wish to use and follow the screen prompts.

NOTE: To get a Rinse & Spin cycle, select Drain & Spin and the Extra Rinse option.

Preferences

Touch to access Times and Dates, Sound Volume, Display Settings, and Regional. Follow the screen prompts.

WiFi

Touch to access Connect to Network, SAID (Smart Appliance ID) Codes, Mac Address, and WiFi. Follow the screen prompts.

Info

Touch to access Service & Support, Store Demo Mode, Restore Factory, WiFi Terms and Conditions, and Software Terms and Conditions. Follow the screen prompts.

NOTE: All changes to settings will remain in effect until settings are changed again.

13.Touch and hold START/PAUSE button to begin cycle



Touch and hold the START/PAUSE button to start the cycle.

To pause a cycle in progress, touch the START/PAUSE button once; then touch again to continue the cycle. To cancel a cycle, touch the “X” on the touch screen to the right of the estimated time remaining and run Drain & Spin to remove any excess water.

At each stage of the process, you may notice sounds or pauses that are different from traditional washers.

When Start/Pause is touched the washer will chime, indicating it is starting. The drum will make a partial turn. The door will click when it locks. Once the door has locked, the washer will begin spinning to sense load size. This sensing process will continue throughout the cycle. After the load size is sensed, the estimated time based on load size will be displayed and water will be added. You may hear water flowing through the dispenser, adding detergent to the load. The actual cycle time may be lengthened; however, the display will continue to show the estimated time.

Unlocking the door to add garments:

If you need to open the door to add one or two missed garments, you may do so when “Add Garments” appears on the display. The time allowed to add a garment will vary based on cycle selection and load size.

Touch ADD GARMENTS once; the door will unlock once the washer movement has stopped. This may take several seconds. Then close the door and touch and hold Start again to restart the cycle.

Adding items after “Add Garments” is no longer displayed:

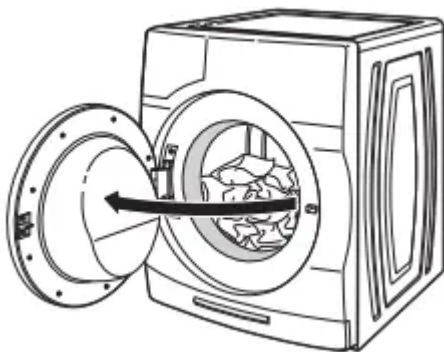
Cancel the current cycle. Water will drain and you will need to reselect the cycle and restart.

14. Touch POWER button to turn off washer after cycle ends



The Power button is also used to turn on the washer before use

15. Remove garments promptly after cycle is finished

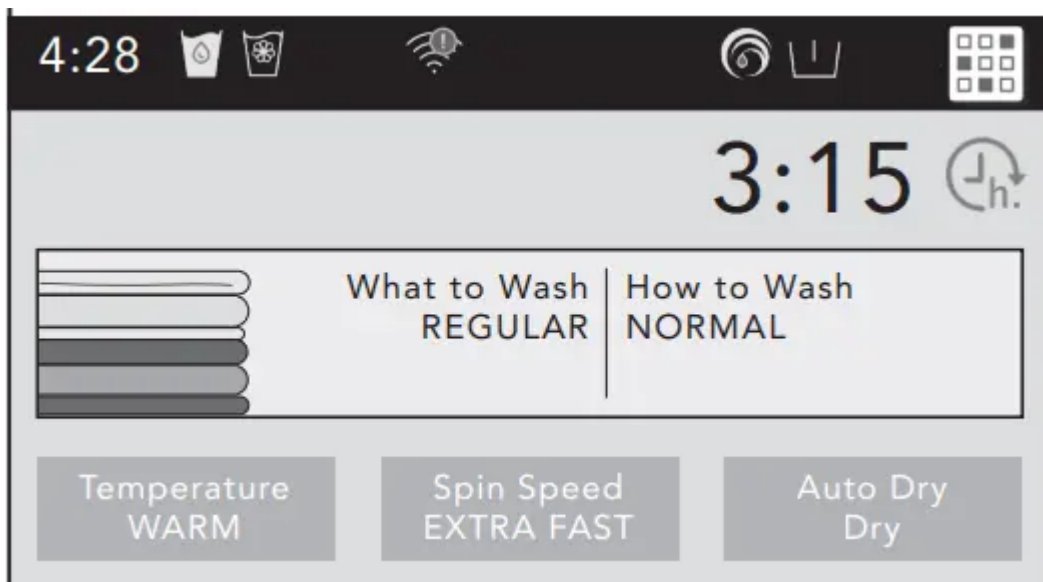


After a wash-only cycle, promptly remove garments after cycle has completed to avoid odor and rusting of metal objects on garments. When unloading garments, pull back the door seal and check for small items between the tub and the washer drum. If you will be unable to remove the load promptly after a wash only cycle, use the FanFresh® option (see Step 11). After a wash and dry cycle or a dry-only cycle, promptly remove garments after cycle has completed to reduce wrinkling.

NOTES:

- This washer has a tight seal to avoid water leaks. To avoid odors, leave the door open to allow the washer to dry between uses.
- If a dry cycle is interrupted and the load removed before the cool-down period at the end of the cycle, the load will be very hot.

Setting a delayed start



Touch POWER until the indicators turn on. From the home screen, make sure the washer is set to the correct time and date (if it is not, see Step 12 for instructions on how to set the time and date).

Touch the clock icon on the far right portion of the touch screen. The “Select a start time” screen will show on the display. Scroll horizontally to select a preferred start time for your wash cycle. The times will display in 15-minute increments up to 8 hours. Touch OKAY to set the start time. The display will return to the home screen and the clock icon will turn brown.

To delete or modify the delayed start, touch the clock icon again and follow the screen prompts.

WASHER MAINTENANCE

CLEANING THE WASHER LOCATION

Keep washer area clear and free from items that would block the airflow for proper drying. This includes clearing piles of laundry in front of the washer

WASHER CARE

Recommendations to Help Keep Your Washer Clean and Performing at Its Best

1. Always use High Efficiency (HE) detergents and follow the HE detergent manufacturer's instructions regarding the amount of HE detergent to use. Never use more than the recommended amount because that may increase the rate at which detergent and soil residue accumulate inside your washer which, in turn, may result in undesirable odor.
2. Use warm or hot water washes sometimes (not exclusively cold water washes) because they do a better job of controlling the rate at which soils and detergent accumulate.
3. Always leave the washer door slightly ajar between uses to help dry out the washer and avoid the buildup of odor-causing residue.

4. Periodically clean residue from all interior surfaces of the window. For better care, wipe the entire inside of the door with a damp cloth.

Cleaning Your Front Loading Washer

Read these instructions completely before beginning the routine cleaning processes recommended below. This washer maintenance procedure should be performed, at a minimum, once per month or every 30 wash cycles, whichever occurs sooner, to control the rate at which soils and detergent may otherwise accumulate in your washer.

Cleaning the Door Seal

1. Open the washer door and remove any clothing or items from the washer.
2. Inspect the gray-colored seal between the door opening and the drum for stained areas, soil buildup, or lint. Pull back the seal to inspect all areas under the seal and to check for foreign objects or lint.
3. If stained areas, soil buildup, or lint are found, wipe down these areas of the seal using either of the following two procedures:

a. affresh® Machine Cleaning Wipes Procedure:

- i. When the cycle is complete, gently pull back the rubber door seal and clean the entire surface with the textured side of an affresh® Machine Cleaning Wipe.

b. Dilute Liquid Chlorine Bleach Procedure:

- i. Mix a dilute bleach solution, using 3/4 cup (177 mL) of liquid chlorine bleach and 1 gallon (3.8 L) of warm tap water.
- ii. Wipe the seal area with the dilute solution, using a damp cloth.
- iii. Let stand 5 minutes. iv. Wipe down area thoroughly with a dry cloth and let washer interior air dry with door open.

IMPORTANT:

- Wear rubber gloves when cleaning with bleach.
- Refer to the bleach manufacturer's instructions for proper use.

Cleaning the Inside of the Washer

This washer has a special cycle that uses higher water volumes in combination with affresh® Washer Cleaner or regular liquid chlorine bleach to thoroughly clean the inside of the washer. Steam washer models also utilize steam to enhance cleaning in this special cycle.

IMPORTANT: Do not use thickened, easy-pour, or no-splash bleach when running the Clean Washer with affresh® cycle as excess suds may occur.

NOTE: Read these instructions completely before beginning the cleaning process.

Begin procedure

1. Clean Washer with affresh® Cycle Procedure (Recommended for best performance):

- a. Open the washer door and remove any clothing or items.
- b. Use an affresh® Machine Cleaning Wipe or a soft, damp cloth or sponge to clean the inside door window.
- c. Add an affresh® Washer Cleaner tablet to the washer drum.
- d. Do not add the affresh® Washer Cleaner tablet to the dispenser drawer.
- e. Do not add any detergent or other chemical to the washer when following this procedure.
- f. Close the washer door.
- g. Select the Clean Washer with affresh® cycle.
- h. On some models: Select the FanFresh® option to help dry the washer interior after the cycle is complete.

NOTE: The washer remembers your last option selection and will use it for future wash cycles until you deselect that option.

- i. Touch and hold START/PAUSE to begin the cycle. The Clean Washer with affresh® cycle operation is described below.

2. Chlorine Bleach Procedure:

- a. Open the washer door and remove any clothing or items.
- b. Open the dispenser drawer and add regular liquid chlorine bleach to the MAX level in both the bleach compartment and the fabric softener compartment. Either traditional or HE chlorine bleach can be used.

IMPORTANT: Do not use thickened, easy-pour, or no-splash bleach as excess suds may occur.

NOTE: Use of more liquid chlorine bleach than is recommended above could cause washer damage over time.

- c. Close the washer door and the dispenser drawer.
- d. Do not add any detergent or other chemicals to the washer when following this procedure.
- e. Close the washer door.
- f. Select the Clean Washer with affresh® cycle.
- g. On some models: Select the FanFresh® option to help dry the washer interior after the cycle is complete.

NOTE: The washer remembers your last option selection and will use it for future wash cycles until you deselect that option. While the fan is on, the washer door will lock. To unlock the door, touch POWER.

h. Touch and hold START to begin the cycle. The Clean Washer with affresh® Cycle Operation is described below.

NOTE: For best results, do not interrupt cycle

Description of Clean Washer with affresh® Cycle Operation:

1. The Clean Washer with affresh® cycle will determine whether clothing or other items are in the washer.
2. If no items are detected in the washer, it will proceed with the cycle.
 - a. If any items are detected in the washer, “rL” (remove load) will be displayed. The door will unlock. Open washer and remove any garments from the washer drum.
 - b. Touch POWER to clear the “rL” code.
 - c. Touch and hold START/PAUSE to restart the cycle.
3. Steam models only: During the first 20 minutes of the cycle, it will activate the steamer but the drum will not spin or fill with water. You may see condensation on the door window during this initial phase. If you are using an affresh® Washer Cleaner tablet, it will not dissolve completely during the steam phase. This is normal.

After the cycle is complete, leave the door open slightly to allow for better ventilation and drying of the washer interior.

Cleaning the Dispensers

After a period of using your washer, you may find some residue buildup in the washer’s dispensers. To remove residue from the dispensers, remove the drawer and wipe the surfaces with an affresh® Machine Cleaning Wipe or a damp cloth and towel dry either before or after you run the Clean Washer with affresh® cycle. Use an all-purpose surface cleaner, if needed.

IMPORTANT: Dispenser is not dishwasher safe.

Cleaning the Outside of the Washer

Use an affresh® Machine Cleaning Wipe or a soft, damp cloth or sponge to wipe up any spills. Occasionally wipe the outside of your washer to help keep it looking new. Use an affresh® Machine Cleaning Wipe or mild soap and water.

IMPORTANT: To avoid damaging the washer’s finish, do not use abrasive products

CLEAN WASHER CYCLE REMINDER

The Clean Washer with affresh® message will flash at the end of a wash cycle when the washer has run 30 wash cycles. This is a reminder to run the Clean Washer with affresh® cycle.

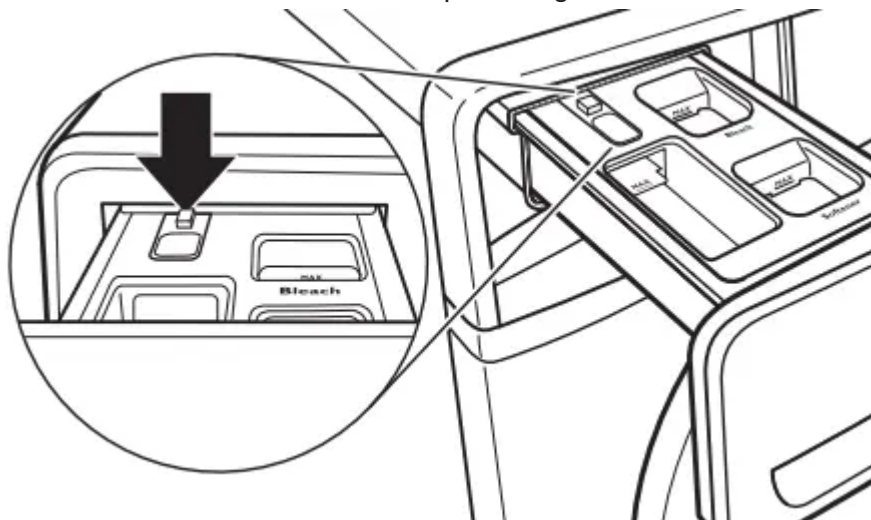
If the Clean Washer with affresh® cycle is not run, the message will stop flashing at the end of a wash cycle after running three more regular wash cycles. After 30 more wash cycles are completed, the Clean Washer with affresh® message will again flash at the end of a wash cycle as a reminder.

REMOVING THE DISPENSER

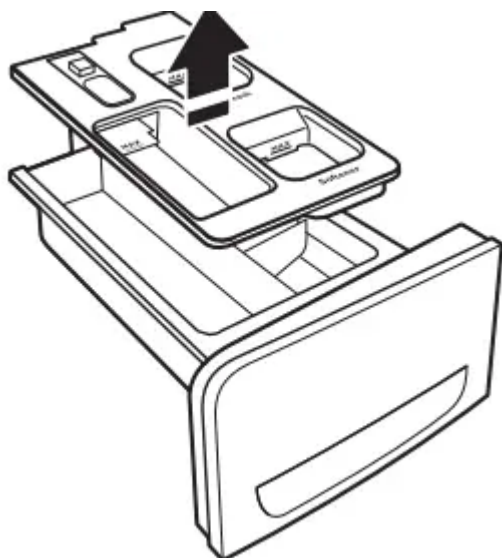
Removing the Dispenser

To remove:

1. Pull dispenser drawer out until it stops.
2. Press down on the release tab and pull straight out to remove the dispenser.

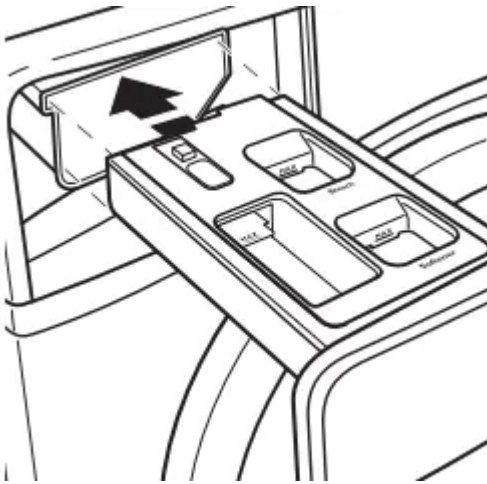


3. Lift off cover panel by pulling straight up.



To replace:

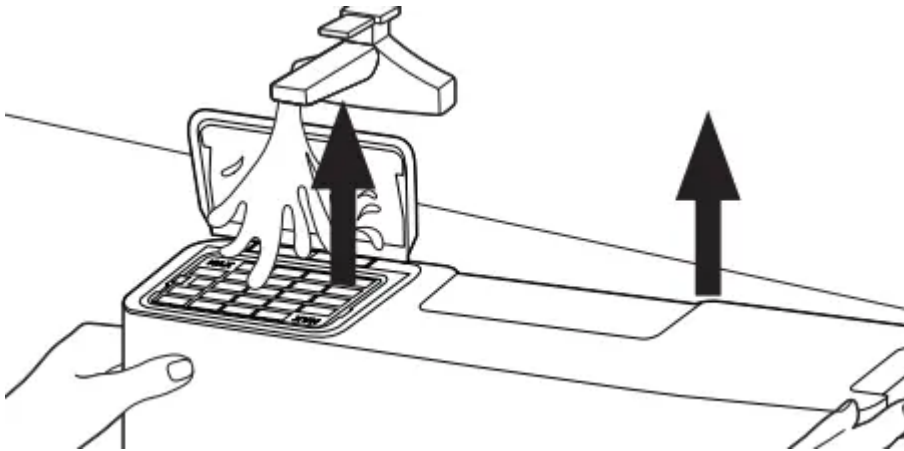
1. Position cover panel back onto posts on dispenser. Apply slight pressure on cover panel to seat it.
2. Align edges of dispenser with guides in washer; then slide dispenser back into slot.



CLEANING LOAD & GO™ CONTAINERS

It is recommended that you rinse out the Load & Go™ containers when refilling, when changing detergent types or concentrations, or when the washer will not be used for an extended period.

1. Pull the dispenser drawer out until it stops.
2. Lift out the Load & Go™ containers.
3. Lift the fill lid and flush interior thoroughly with warm water
4. Allow to air dry



WATER INLET HOSES

Replace inlet hoses after five years of use to reduce the risk of hose failure. Periodically inspect and replace inlet hoses if bulges, kinks, cuts, wear, or leaks are found. When replacing your inlet hoses: Mark the date of replacement on the label with a permanent marker. Check that the old washers are not stuck on the washer inlet valves. Use new washers in the new inlet hoses to ensure a proper seal.

NON-USE AND VACATION CARE

If moving, or not using your washer for a period of time, follow these steps:

1. Unplug or disconnect power to washer.

2. Turn off water supply to washer to avoid flooding due to water pressure surges.

HELPFUL TIP: Attach a reminder note to the washer to turn the water back on before washer's next use.

3. Clean the dispensers. See "Cleaning the Dispensers."

WINTER STORAGE CARE

IMPORTANT: To avoid damage, install and store washer where it will not freeze. Because some water may stay in hoses, freezing can damage washer. If storing or moving during freezing weather, winterize your washer.

To winterize washer:

1. Shut off both water faucets, then disconnect and drain water inlet hoses.

HELPFUL TIP: Attach a reminder note to the washer to turn the water back on before washer's next use.

2. Put 1 qt. (1 L) of R.V.-type antifreeze in washer drum and run washer on Normal cycle for about 2 minutes to mix antifreeze and remaining water.

3. Unplug washer or disconnect power

TRANSPORTING YOUR WASHER

1. Shut off both water faucets. Disconnect and drain water inlet hoses.

2. If washer will be moved during freezing weather, follow "Winter Storage Care" directions before moving.

3. Disconnect drain hose from drain system and from back of washer.

4. Unplug power cord.

5. Place inlet hoses and drain hose inside washer drum.

6. Bundle power cord with a rubber band or cable tie to keep it from hanging onto the ground.

IMPORTANT: Call for service to install new transport bolts. Do not reuse transport bolts. Washer must be transported in the upright position. To avoid structural damage to your washer, it must be properly set up for relocation by a certified technician

REINSTALLING/USING WASHER AGAIN

To reinstall washer after non-use, vacation, winter storage, or moving:

1. Refer to Installation Instructions to locate, level, and connect washer.

2. Before using again, run washer through the following recommended procedure:

To use washer again:

1. Flush water pipes and hoses. Reconnect water inlet hoses. Turn on both water faucets.

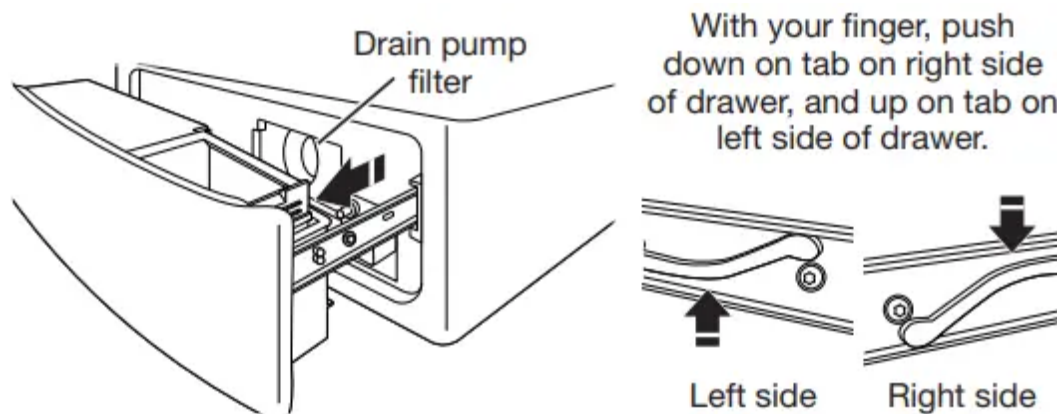
2. Plug in washer or reconnect power.

3. Run washer through Heavy Duty cycle to clean washer and remove antifreeze, if used. Use only HE detergent. Use half the manufacturer's recommended amount for a medium-size load.

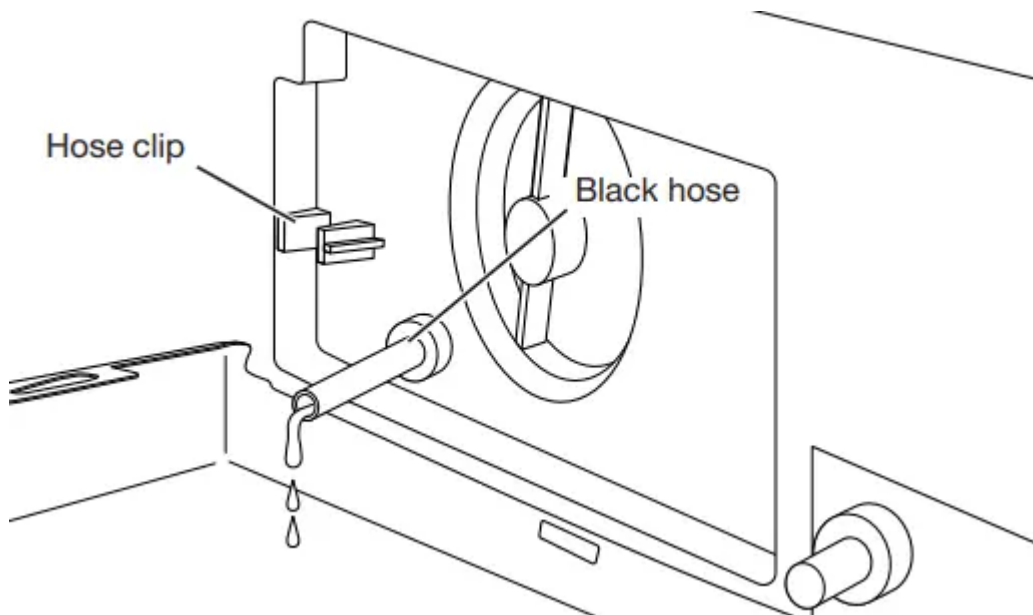
CLEANING THE DRAIN PUMP FILTER/ DRAINING RESIDUAL WATER

NOTE: Perform the following procedure occasionally.

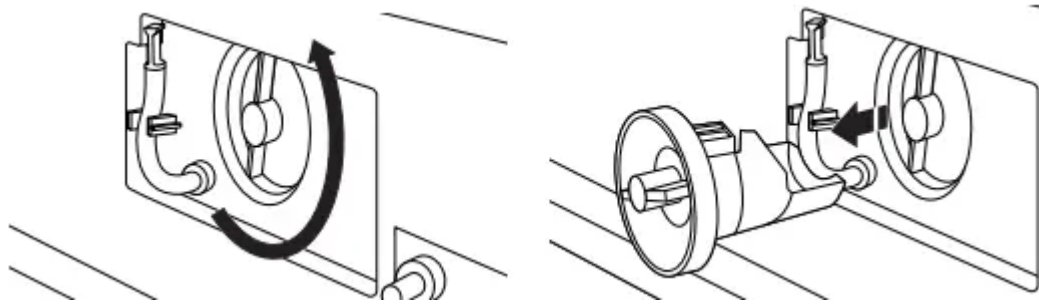
1. Open the dispenser drawer by pulling on the handle at the base of the washer. This will reveal the drain pump filter. Remove the drawer by releasing the tab on each side.



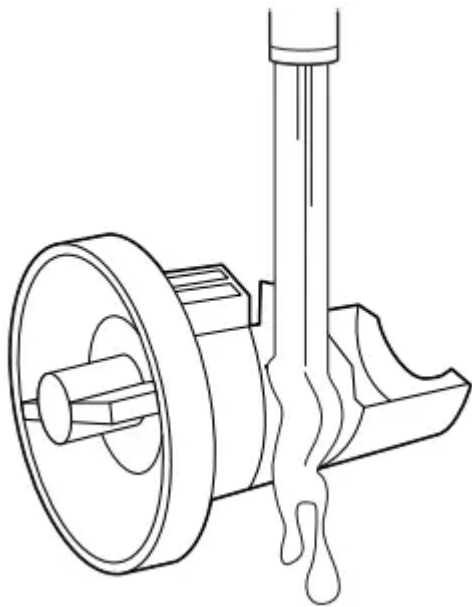
2. Place a broad, flat container beneath the drain pump filter to collect the drain water. Release the black hose from the hose clip, remove the plug, and drain the hose into the container. Empty the container. Repeat this procedure if necessary until all the water has drained. Make sure that the black hose is completely dry, replace the plug, and secure the hose in the clip.



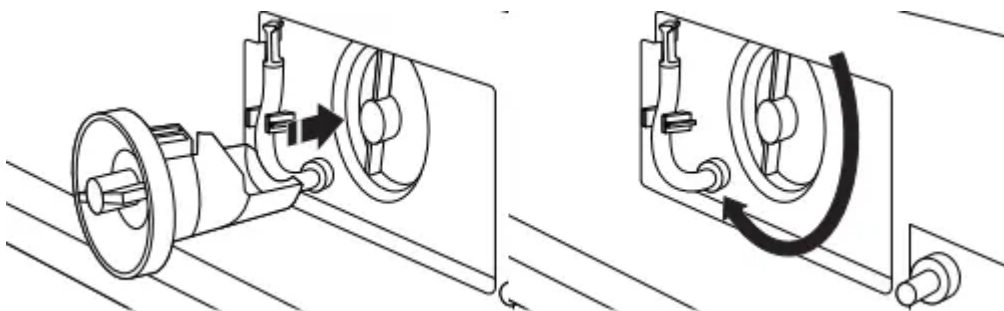
3. Lay a cotton cloth beneath the drain pump filter to absorb any water still in it. Then remove the drain pump filter by turning it counterclockwise.



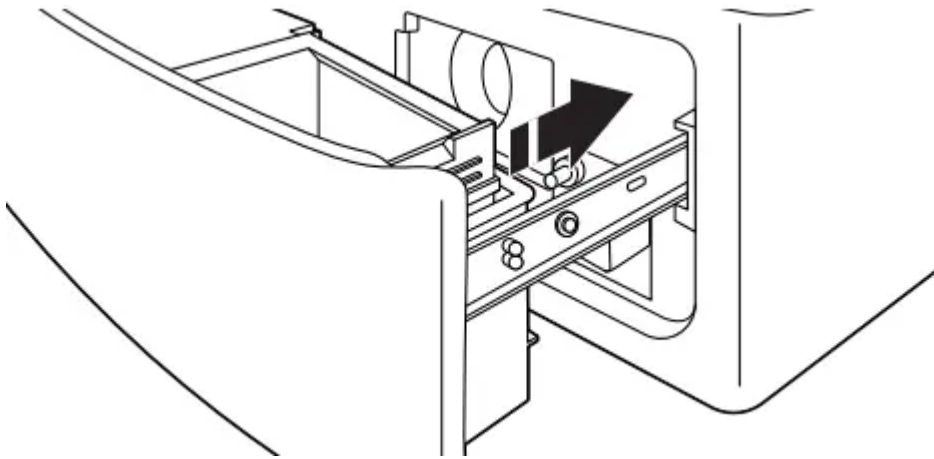
4. Remove large clumps of lint by hand from the filter and place lint in a suitable waste container. Remove remaining residue from the filter by rinsing with water.



5. Reinsert the drain pump filter by turning it clockwise. Make sure to turn it in as far as it will go, with the filter handle remaining as close as possible to the vertical position.



6. Replace and close the dispenser drawer. Make sure to insert both rails simultaneously when replacing the drawer. You will hear a clicking sound that indicates the rails have engaged. To ensure proper placement of the drawer, pull out fully. The drawer should be fully engaged and the rails locked in place. Make sure the drain hose is secured in the hose clip and tucked underneath the cutout.



ADDITIONAL CLEANING

Gently pull back the rubber door seal and clean any stained areas, soil buildup, or lint with the textured side of an affresh® Machine Cleaning Wipe.



TROUBLESHOOTING



If you experience	Possible Causes	Solution
Vibration or Off-Balance		
Vibration, rocking, or “walking”	Feet may not be in contact with the floor and locked.	Front and rear feet must be in firm contact with the floor and washer must be level to operate properly. Feet must be tight against the bottom of the washer.
	Washer may not be level.	Check floor for flexing or sagging. If floor is uneven, place a 3/4" (19 mm) piece of plywood under the feet to level the washer and reduce sound. Do not install washer on a wooden platform.
		See “Level Washer” in Installation Instructions.
	Load could be unbalanced or too large.	Avoid tightly packing the load. Avoid washing heavy items. Balance a single item such as a jacket with a few extra items.
		Item or load not suitable for selected cycle. See “Load Capacity” in the “User’s Guide” and “Using the Washer.”
	The shipping bolts are still in the back of the washer.	See “Unpacking Washer” in the Installation Instructions.
Noises		
Clicking or metallic noises	Door locking or unlocking.	After starting a cycle the drum will make a clicking sound and the door will lock. The door will remain locked until the end of cycle. This is normal.
	Objects caught in wash drain system.	Empty pockets before washing. Loose items such as coins could fall between washer drum and pump. It may be necessary to call a technician to remove items.



		It is normal to hear metal items on clothes touching metal snaps, buckles, or zippers touch the stainless steel drum.
Gurgling or humming	Washer may be draining water.	The pump may make a humming sound or gurgling or surging as final amounts of water are removed during the spin/drain cycles. This occurs at certain stages of the cycle.
Water Leaks		
Check the following	Fill hoses not attached tightly.	Tighten fill hose connection.
for proper installation	Fill hose washers.	Properly seat fill hose flat washers.
	Drain hose connections.	Check that the drain hose is properly seated in the pipe or laundry tub.
	Drain pump filter is not properly seated.	Make sure filter is correctly placed in the filter housing. See “Cleaning the Drain Pump Filter/Draining Residual Water.”
	Drain pump filter is clogged/drain pump filter hose plug is off or loose.	Clean the drain pump filter (see “Cleaning the Drain Pump Filter/Draining Residual Water”). Make sure the drain pump filter hose plug is fully seated. If the plug is missing, order a replacement plug (see “Assistance”).
	Check household plumbing for leaks or clogged sink or drain.	Water can back up out of a clogged sink or drain. Check all household plumbing for leaks and clogs (sink, drain pipe, water pipes, and faucet.)
	Strainer (or nylon stocking) on end of drain hose is clogged.	Remove strainer/stocking from drain hose.



Water or suds leaking from door or rear of cabinet	Not using HE detergent or using too much HE detergent.	Only use HE detergent. Suds from regular cause leaking from the door or rear of cabinet. Measure detergent and follow manufacturer's instructions based on your load requirements.
	Using thickened, easy-pour, or no-splash bleach when running the Clean Washer with affresh® cycle.	Use affresh® tablet or regular, non-thickened bleach when running the Clean Washer with the affresh® cycle.
	Residue on door window.	Periodically clean the underside of the window to prevent potential leaks.
Leaking around door	Hair, lint, or other debris on inner door window preventing proper seal with rubber door seal.	Clean inner door window and seal. See “Cleaning the Door Seal” in the “Washer Maintenance” section.
Wash Cycle Not Performing As Expected		
Load not completely covered in water	Water level not visible on door or does not cover clothes.	This is normal for the washer. The washer adjusts water levels based on load sizes and adds the correct amount of water for optimal cleaning.
Washer won't run or fill; washer stops working	Check for proper water supply.	Both hoses must be attached and have water flowing into the inlet valves.
		Both hot and cold water faucets must be turned on.
		Check that inlet valve screens have not become clogged.
		Check for any kinks in inlet hose, which can restrict water flow.



	Check proper electrical supply.	Plug power cord into a grounded 3 prong outlet.
		Do not use an extension cord.
		Ensure there is power to outlet.
		Do not plug into a GFCI (Ground Fault Circuit Interrupter) outlet.
		Check electrical source or call an electrician if voltage is low.
		Reset a tripped circuit breaker. Replace any blown fuses. NOTE: If problems continue, contact an electrician.



	The load size is being sensed.	After the load size is sensed, the estimated load size will be displayed and water
	Normal washer operation.	Washer will pause during certain phases but will not interrupt cycle.
		The washer pauses for about 2 minutes during certain cycles. Allow the cycle to continue. Some cycles feature periods of tumbling and soak.
		Washer may be stopped to reduce suds if too much detergent is used. Use the proper amount of HE detergent.
	The washer door is not firmly shut.	The door must be closed during operation.
	The Load & Go™ bulk dispenser is not fully seated in the washer.	Make sure that the Load & Go™ bulk dispenser is fully seated in the washer, and that the lid or dispenser is firmly closed.
	Washer not loaded as recommended.	Remove several items, rearrange load evenly in the washer drum. Close door and touch the Start button.
		Do not add more than one or two additional items after the cycle has started to avoid tightly packing the drum or unbalancing. Adding items is only allowed at a certain point in the cycle.
		Do not add more water to the washer.
	Not using HE detergent or using too much HE detergent.	Only use HE detergent. Suds from regular detergent can slow or stop the washer. Always measure detergent, following manufacturer's directions and your load requirements.



		<p>To remove suds, cancel cycle. Select RINSE. Touch the START/PAUSE button. Do not add detergent.</p> <p>Make sure the Load & Go™ bulk dispenser is closed if you are using a single dose of detergent.</p>
Washer stops during the program/cycle and a message appears on the screen	The program/cycle was interrupted (for example by the door being opened).	Make sure the door is closed. Touch the PAUSE button to continue with the program.
	The safety system has been activated. A failure indicator will light up and/or the display will show a failure code.	Refer to error codes at the end of “Troubleshooting”.
	Water faucets are closed.	Make sure both hot and cold water faucets are open and that there are no kinks in the inlet hoses.
Washer not draining/spinning; loads are still wet	Drain hose extends into standpipe further than 4.5" (114 mm).	Check drain hose for proper installation. Do not use a hose form and securely attach to drain pipe. Do not tape over drain opening.
	The drain hose is clogged, or the end of the drain hose is more than 49" (1.3 m) above the floor.	Lower drain hose if the end is higher than 49" above the floor. Remove any clogs from drain pipe. See “Installation Requirements” in the Installation Instructions.
	Strainer/stocking on end of drain hose.	Remove strainer/stocking from drain hose.
	The drain hose fits too tightly in the standpipe or is taped to the standpipe.	The drain hose should be loose, yet fit snugly. Do not seal the drain hose with tape. The hose should have a small gap. See “Route Drain Hose” in the Installation Instructions.



	Using cycles with a lower spin speed.	Cycles with lower spin speeds remove less water than cycles with high spin speeds. Use the recommended cycle/spin speed for your garment.
	Washer not loaded as recommended.	A tightly packed or unbalanced load may prevent the washer to spin correctly, leaving the load wet. Load size should be normal. See "Cycle Guide" for load size recommendation.
	An unbalanced load prevented the Spin cycle from activating to avoid damage to the washer.	To spin wet laundry, add more laundry in the washer, use smaller sizes and start the Rinse & Spin program. Avoid heavy laundry loads consisting of a few large, bulky items and wash different-sized items in separate loads or washing single items.
	Not using HE detergent or using too much HE detergent.	Use only HE detergent. Suds from regular detergent using too much detergent can slow or stop the spin cycle. Always measure and follow manufacturer's directions for your load. To remove extra suds, run Rinse & Spin. Do not add detergent.
	Small items may have been caught in the pump or stuck between the washer drum and the outer tub.	Check the drum for any items sticking to the drum or caught in drum holes. Empty pockets and use garment bags when washing small items.
	Drain pump filter is dirty.	Clean drain pump filter. See "Cleaning the Drain Pump Filter/ Draining Residual Water."
	Wash cycle has been canceled and door opened before water has drained.	Run Drain & Spin to remove any excess water.
Washer is spinning clothes without water	The washer is measuring the mass of the dry load.	This measurement is normal and ensures proper cycle time for your load.



Door locked at end of wash cycle	Water remaining in washer after cycle.	Select Drain & Spin to remove any water from the washer. The door will unlock at the end of the drain.
Door will not unlock	Error code is displayed.	Failure mode will lock the door. Touch the PAUSE button to exit, then wait for the door to unlock.
	Water temperature is hotter than 104°F (40°C).	Wait for the water temperature to drop.
	Door lock mechanism malfunction.	Perform procedure in “How to Manually Unlock the Door”.
Incorrect or wrong wash temperatures	Check for proper water supply.	Make sure hot and cold inlet hoses are properly connected to the hot and cold water inlet valves.
		Both inlet hoses must be attached to both hot and cold water inlet valves. Both inlet hoses must be attached to both hot and cold water inlet valves.
		Check that inlet valve screens are not clogged.
		Remove any kinks in hoses.
	Washing many loads.	Your hot water tank may not have enough hot water to keep up with the number of hot or warm washes. This is normal.



Load not rinsed	Improper water supply connection.	Make sure hot and cold inlet hoses are not
		Both hoses must be attached and have water inlet valve.
		Both hot and cold water faucets must be on
		Inlet valve screens on washer may be clogg
		Remove any kinks in the inlet hoses.
Not using HE detergent or using too much HE detergent.	The suds from non-HE detergent can cause washer to operate incorrectly.	
	Use only HE detergent. Always measure detergent and follow manufacturer's directions based on load size and soil level.	
Washer not loaded as recommended.	Avoid tightly packing the washer. The washer will not wash well if tightly packed. Load with dry items only. See "Load Size Guide" for load size recommendation.	
	Use cycle designed for the fabrics being washed.	
	Add only one or two garments after washer starts.	
The load may be out of balance.	When load imbalance occurs, a washing machine will pause to redistribute the load. This may lengthen the cycle. Avoid washing single items. Balance a single item, such as a rug or jeans jacket, with a few extra items.	
The load needs additional rinses.	Most cycles allow for the option of additional rinses. See "Cycle Guide" and Step 11 in "Using the Washer" for additional rinse options.	



Load is wrinkled, twisted, or tangled	Washer not loaded as recommended.	Add load loosely. Items need to move freely to prevent wrinkling and tangling. See “Cycle Guide” for load size recommendation.
		Reduce tangling by mixing types of load items. Use the recommended cycle for the type of garment being washed.
	Spin speed too high for load.	Select a lower spin speed. Note that items will wrinkle less than when using a higher spin speed.
	The washer is not unloaded promptly.	Unload the washer as soon as it stops or use the FanFresh® option if you will not be able to unload the washer at the end of the cycle.
Not cleaning or removing stains	Washer not loaded as recommended.	Add load loosely. Items need to move freely to prevent wrinkling and tangling. See “Cycle Guide” for load size recommendation.
		Add only one or two garments after washer is started.
	Not using HE detergent or using too much HE detergent.	Use only HE detergent. Always measure detergent. Follow manufacturer’s directions based on load size and soil level.
	Hard water or high level of iron (rust) in water.	You may need to install a water softener and a rust filter.
	Fabric softener dispensing ball used.	Dispensing balls will not operate correctly with fabric softener. Add liquid fabric softener to the fabric softener compartment.



Powdered detergent used for low-speed cycle.

Consider using liquid detergent.



	Not using correct cycle for fabric type.	Use a warmer wash temperature to improve cleaning.
		If using a What to Wash cycle selection panel, use the “Quick” How to Wash cycle selection, was items.
		Use the “Heavy Duty” How to Wash cycle for tough cleaning.
		Add an extra rinse for heavily soiled loads.
	Not using dispensers/dispensers not loaded properly.	Use dispensers to avoid chlorine bleach and softener staining.
		Load dispensers before starting a cycle.
		Make sure that the Load & Go™ bulk dispenser detergent dispenser is not empty.
		Avoid overfilling.
		Do not add products other than those specified for the load.
	Dispense cartridge is empty.	Fill dispense cartridge to the “MAX” line with detergent.
	Not washing like colors together.	Wash like colors together and remove promptly after cycle is complete to avoid dye transfer.
	Not enough detergent used, or hard water.	Use more detergent for washing heavy soiled items in hard water.



Odors	Monthly maintenance not done as recommended.	Run the Clean Washer with affresh® cycle every 30 wash cycles. See “Washer Care” Maintenance.”
		Unload washer as soon as cycle is complete. Use the FanFresh® option if load cannot be removed after the wash is complete.
	Not using HE detergent or using too much HE detergent.	Use only HE detergent. Be sure to measure detergent correctly. Always follow the manufacturer’s directions.
		See the “Using the Washer” section.
Door not left open after use.	This washer has a tight seal to avoid water leaks. To avoid odors, leave the door open to allow the washer to dry between uses.	
Fabric damage	Sharp items were in pockets during wash cycle.	Empty pockets, zip zippers, and snap or hook fasteners before washing to avoid snags and tears.
	Strings and straps could have tangled.	Tie all strings and straps before starting wash cycle.
	Items may have been damaged before washing.	Mend rips and broken threads in seams before washing.
	Fabric damage can occur if washer is tightly packed.	Avoid tightly packing the washer. Load with care.
		Use cycle designed for the fabrics being washed.
Fabric damage can occur if washer door is closed on an item, trapping it between the door window and the rubber seal.	Add only one or two garments after washer has started.	
	Do not overfill the washer.	
		Push wash load fully into the washer.



	Liquid chlorine bleach may have been added incorrectly.	Do not pour liquid chlorine bleach directly up bleach spills.
		Undiluted bleach will damage fabrics. Do not use more than recommended by manufacturer.



Gray whites, dingy colors	Load not sorted properly.	The transfer of dye can occur when mixing colors in a load. Sort dark clothes from white.
	Wash temperatures too low.	Use hot or warm temperatures if safe for the fabric. Make sure your hot water system is adequate to provide the water wash.
	Not enough detergent used, or hard water.	Use more detergent for washing heavy soils. Use soft water.
Incorrect dispenser operation	Clogged dispensers or laundry products dispensing too soon.	Do not overfill dispenser. Overfilling causes premature dispensing.
		Load dispensers before starting a cycle.
		Homes with low water pressure may result in incomplete powder in the dispenser. To avoid, select a higher temperature if possible, depending on your fabric care labels.
	Liquid chlorine bleach not used in bleach compartment.	Use only liquid chlorine bleach in the bleach compartment.
	Water in dispenser after cycle has finished.	It is normal for small amounts of water to remain in the dispenser at the end of the cycle.
Single-dose laundry packet not dissolving	Adding laundry packet incorrectly.	Be sure laundry packet is added to washer before adding clothes. Do not add packet to dispenser. Follow manufacturer's instructions to avoid damaging clothes.
Cycle time changes or cycle time too long	Normal washer operation.	The cycle times vary automatically based on load size, water pressure, water temperature, detergent, and fabric care labels. The options you select will also affect the cycle time.
	Excessive suds in washer.	When excessive suds are detected, a special cycle automatically starts to remove extra suds and continue the cycle.

		proper rinsing of your garments. This routine may be necessary to return the machine to the original cycle.
	Load may be out of balance.	When load unbalance occurs, a washing machine may pause to redistribute the load. This extends the cycle time. When washing single items, such as a shirt, sweater, or jeans jacket, with a few extra items, the machine may pause to redistribute the load.
	Not using correct cycle for load type.	A What to Wash cycle selection paired with a How to Wash cycle selection is designed for small loads (2-4 items) of lightly soiled garments.
		When using a What to Wash cycle selection, such as the "Quick" or "Delicates" How to Wash cycle, you should wash small loads. This ensures proper rinsing for your garments without increasing cycle time.



Drying Operation		
Drying cycle will not run	Door not closed completely.	Make sure the washer door is closed completely.
	Start/Pause button not touched firmly.	Touch the START/PAUSE button firmly.
	Drain pump filter not in place or clogged.	Clean the drain pump filter. See “Cleaning Pump Filter/ Draining Residual Water.” Place filter back in washer and make sure it is properly seated.
	Household fuse is blown or circuit breaker has tripped.	There may be two household fuses or circuit breakers for the washer. Check that both fuses are intact and that both circuit breakers have not tripped. Replace blown fuses or reset the circuit breaker. If the problem continues, call an electrician.
	Incorrect power supply.	Electric dryers require 240 V power supply. Consult a qualified electrician.
	Wrong type of fuse.	Use a time-delay fuse.
	Water supply to washer not connected and turned on.	Connect the water supply to the washer and turn it on. The drying cycle will not run unless the water supply is connected and turned on.
	Dry cycle not selected.	Select drying function (see Step 10 in “Using the Washer”).
Unusual Noise		
Rattling or vibrating noise	A small object caught between the edges of drum.	Check the front and rear edges of the drum for small objects. Clean out pockets before laundering.

	Washer isn't properly leveled.	The washer may vibrate if not properly installed. See the Installation Instructions. All four washer feet should be in firm contact with the floor.
	Clothing is balled up in washer.	When balled up, the load will bounce, causing the washer to vibrate. Separate the load items and redistribute.
Loud humming or increased noise during cycle	Load is packed tightly.	Loading drum half full or less will improve performance.
Drying Results		
Clothes are not drying satisfactorily or drying times are too long	The load is too large and heavy to dry quickly.	Separate the load to tumble freely. Loading drum half full or less will improve drying performance and reduce drying time. Run a high-speed spin cycle.
Lint on load	Area under door seal is clogged with lint.	Gently pull back the rubber door seal and clean the textured side of an affresh® Machine Cleaner.
	Drain pump filter is clogged with lint.	Clean the drain pump filter. See "Cleaning the Drain Pump Filter/ Draining Residual Water." This should be performed occasionally.
Dried loads are wrinkled	The load was not removed from washer at the end of the drying cycle.	Remove garments promptly at the end of the drying cycle or use the Wrinkle Shield™ option (see "Using the Wrinkle Shield™ Washer").
	The washer was tightly packed.	Dry smaller loads that can tumble freely. Loading drum half full or less will improve drying performance and reduce drying time. Results may also vary depending on load.
Load too hot	Load removed before cool-down portion of cycle is complete.	Allow the drying cycle to complete the cool-down portion of the cycle before removing the load. If you remove the load before the cool-down portion of the cycle is complete, immediately remove the load, it will be very hot.

Error Code Appears in Display

Once any possible issues are corrected, touch the POWER button once to clear the code. Reselect and restart the cycle.

F0E1 Load detected in Clean Washer with affresh® cycle	Items detected in the washer when running a Clean Washer with affresh® cycle.	Remove load and restart the Clean Washer with affresh® cycle.
F0E2 Oversuds detection	Excessive suds in washer. Washer is running a suds reduction routine. Allow the wash cycle to continue.	Use only HE detergent.
F0E5 (OB) Off balance load detected	Load could be unbalanced or too large.	Avoid tightly packing the washer. Avoid washing heavy items. Balance a single item with such as towels with a few extra items.
F1E1 ACU memory corruption or hardware failure/ACU main relay cannot be opened or closed	Problem detected with the washer.	Try resetting the washer by unplugging it from the wall and then plugging it back in. If unsuccessful, contact service.
F1E2 MCU memory corruption or hardware failure	Problem detected with the washer.	Try resetting the washer by unplugging it from the wall and then plugging it back in. If unsuccessful, contact service.
F3E1 Analog pressure failure	Problem detected with the pressure sensor.	Try resetting the washer by unplugging it from the wall and then plugging it back in. If unsuccessful, contact service.
F3E2 Wash NTC failure	Open circuit or short circuit fault detected.	Try resetting the washer by unplugging it from the wall and then plugging it back in. If unsuccessful, contact service.

F3E5 Dry NTC failure	Open circuit or short circuit fault detected. The wash function is still operable, but the dry function will not operate.	Try resetting the washer by unplugging it and then plugging it back in. If unsuccessful, call for service.
F3E6 Accelerometer failure	Accelerometer failed self test or experienced orientation error.	Try resetting the washer by unplugging it and then plugging it back in. If unsuccessful, call for service.
F4E1 Water heater relay failure	Problem detected with the water heater. There is a water heater relay short error or feedback failure.	Try resetting the washer by unplugging it and then plugging it back in. If unsuccessful, call for service.
F4E2 Wash heater relay circuit fault	Wash heater relay is detected as not closed.	Call for service
F4E4 Fan drive failure	Dry fan triac open circuit, short circuit, diode mode, or feedback KO fault detected.	Try resetting the washer by unplugging it and then plugging it back in. If unsuccessful, call for service.
F5E1 Door switch failure	Problem detected with the door switch. Door is unlocked during a cycle when it should be locked.	Try resetting the washer by unplugging it and then plugging it back in. If unsuccessful, call for service.
F5E2 Door cannot be locked	Problem detected with the door lock.	Try resetting the washer by unplugging it and then plugging it back in. If unsuccessful, call for service.
F5E3 Door cannot be unlocked	Problem detected with the door lock.	Try resetting the washer by unplugging it and then plugging it back in. If unsuccessful, call for service.
F5E4 (DR) Door not open between consecutive cycles	Door not open between consecutive cycles.	Open and close the door before restarting the cycle.

F6E1 Communication lost with MCU	Communications problem between ACU and MCU.	Try resetting the washer by unplugging it and then plugging it back in. If unsuccessful, call service.
F6E2 Communication lost with ACU	Communication missing from ACU to HMI.	Try resetting the washer by unplugging it and then plugging it back in. If unsuccessful, call service.
F6E3 Communication lost with HMI	Communication missing from HMI to ACU.	Try resetting the washer by unplugging it and then plugging it back in. If unsuccessful, call service.
F7E2 Motor control over temperature or over current fault or motor drive/motor control driver/ motor control DC bus failure	Problem detected with motor control over temperature or over current. Also possible MCI internal failure, motor error designed by MCU developer, or MCI DC bus under voltage.	Try resetting the washer by unplugging it and then plugging it back in. If unsuccessful, call service.
F7E8 Motor temperature max fault	Motor over temperature detected.	Try resetting the washer by unplugging it and then plugging it back in. If unsuccessful, call service.
F7E9 Locked rotor	MCI locked rotor detected.	Try resetting the washer by unplugging it and then plugging it back in. If unsuccessful, call service.
F7EA Lost phase fault	MCI motor lost phase detected.	Try resetting the washer by unplugging it and then plugging it back in. If unsuccessful, call service.
F7EC Overload fault	MCI motor overload detected.	Try resetting the washer by unplugging it and then plugging it back in. If unsuccessful, call service.

F8E1 No water flow detected/ fill timeout	Washer may not be connected to the home water supply. Home water supply valves may not be turned on. Inlet hoses to washer may be kinked. Inlet valves on washer may have failed.	Make sure that the washer is connected to cold water supply and that the home water supply is turned on. Verify that the inlet hose to washer is not kinked. If problem persists, call for service.
F8E3 Overflow of water detected/overflow cannot drain	Inlet valves on washer are leaking internally and washer cannot drain during overflow.	Call for service.
F9E1 Drain timeout/ drain pump failure	Drain pump filter on washer may need to be cleaned. Bellow drain holes in washer may be obstructed. Washer drain hose or home drain system may be obstructed. Drain pump on washer may have failed.	Clean drain pump filter on washer. Check for clogs in washer for obstructions. Check for clogs in hose and home drain system for obstructions. If problem persists, call for service.
FCE1 Wi-Fi error	HMI cannot communicate with Wi-Fi module.	Call for service.

Warning

This content is compiled from multiple sources and is provided for reference purposes only. It may not be complete or fully applicable to all situations. If you are unable to resolve your issue, please contact the product manufacturer or an authorized service provider for official support.

