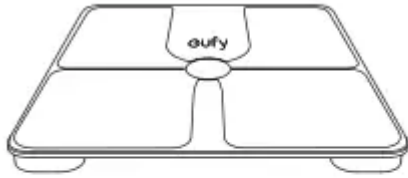


What's In the Box?



Smart Scale P1



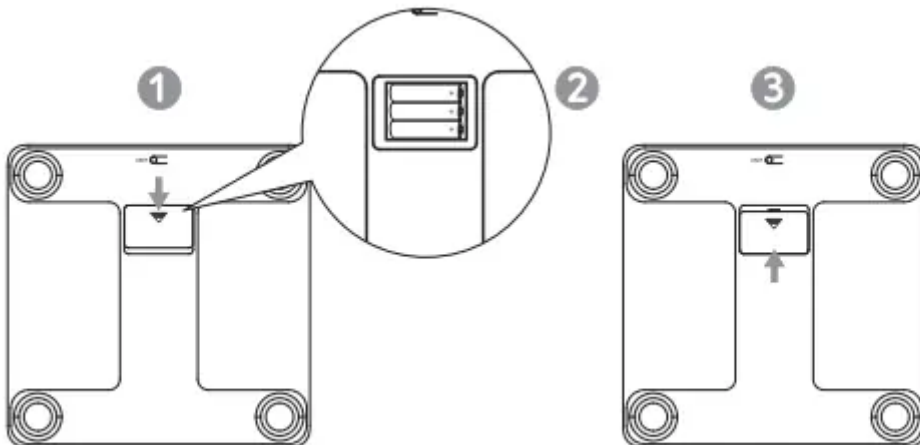
AAA Battery (x3)



Owner's Manual &
Other Documents

Inserting the Batteries

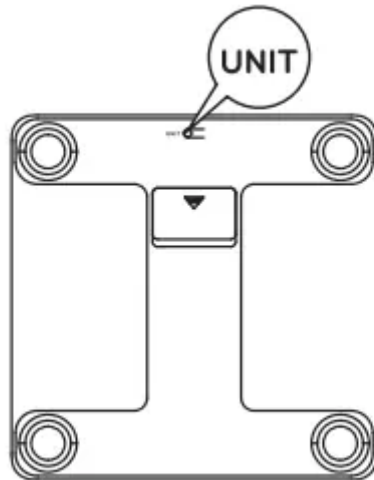
1. Turn the scale over and place it on flat surface
2. Open the battery door and insert three AAA batteries. Make sure the positive and negative ends are facing the correct polarity directions marked in the battery compartment.
 - The digits "8888" will show on the LED display.
3. Close the battery door and wait until the digits "00" are shown on the LED display.



Note: **Lo** will appear on the LED display when the batteries are low. Replace all three batteries at the same time. Do not mix new and used batteries.

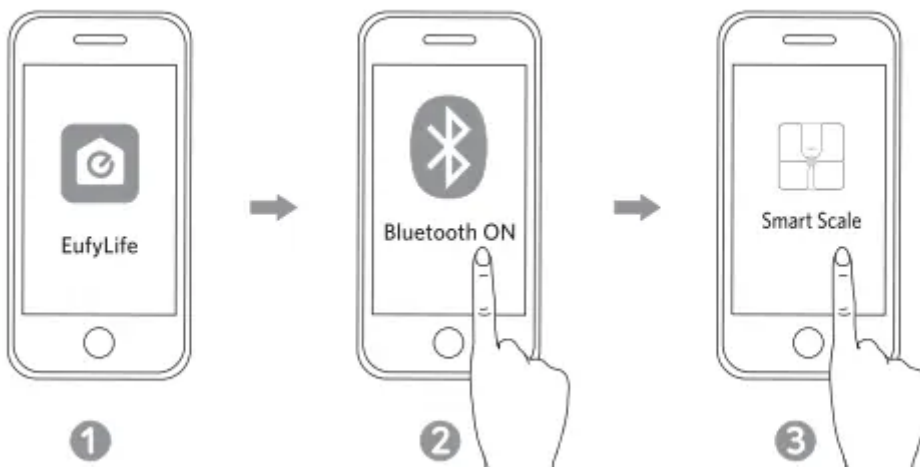
Selecting the Measuring Unit


Press the **UNIT** button at the bottom of the scale to cycle through and select the measuring unit: **lb** (pound) / **kg** (Kilogram). The measuring unit can be selected from within the Eufylife app as well.



Installing the Eufylife App and Pairing

1. Download the Eufylife app from the App Store (IOS devices) or Google Play (Android devices).
2. Enable Bluetooth on your smartphone or tablet.
3. Open the Eufylife app and follow the on-screen instructions to pair the scale with your devices.
 - Once paired, the app and scale will automatically connect the next time the app is opened.



	Status Icon	Indicates
	Flashing	Pairing
	Solid	Connected

Note:

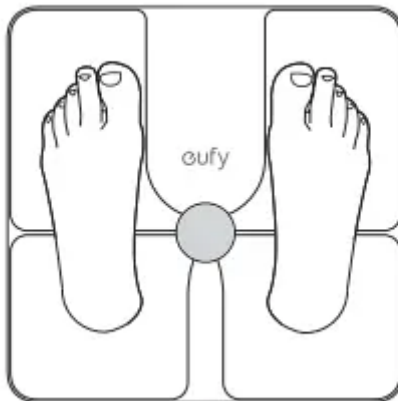
- this scale is compatible with devices running IOS 9.0 and above or Android 4.4 and above.
- Do not pair the scale from your Smartphone's Bluetooth menu. Use the Eufylife app to pair the scale with your smartphone.

Starting a Measurement

Before taking your first measurement, you will need to create and set up a user ID in the Eufylife.

1. Place the scale on a hard and flat surface
2. Open the Eufylife app and select smart scale on the device homepage.
3. Step barefoot onto the scale. An analysis of you body's composition will begin automatically.

Note: Step barefoot onto the center of the scale. Stand still and keep full contact with the electrodes until the measurement is complete.



Weight-Only Measurement

This scale can also be used as a conventional weight-reading scale.

To measure your current weight, you can

- Step on the scale wearing your shose, or;
- select the weight-only measuring mode in the Eufylife app.

Maintenance

Regularly clean the scale with a dry or slightly dampened soft cloth.



Warning:

- Do not wash the scale with water or immerse it in water.
- Never use detergents to clean the scale as this may cause it to malfunction or discolor.

Troubleshooting

Error Message

Error Display	Description	Solution
OL	Overload. The device will power off	Stop using this scale for measurement
Lo	Low battery. The device will power off	Replace all three batteries at the same time
Err	Measurement failure	<ul style="list-style-type: none"> • Step barefoot and keep full contact with the electrodes • Stand still until the measurement on the LED display locks

When Measuring

Issue	Cause	Solution
Abnormal measurement results: <ul style="list-style-type: none"> • Too high • Too low • Huge difference between two recent measurement 	Incorrect posture	Step onto the scale barefoot and stand still
	Device is placed on soft carpeting or uneven surface	Place the device on a hard and flat surface
LED display does not turn on after stepping onto the scale	batteries not installed	Install three new AAA batteries
	Worn batteries	Replace all three batteries at the same time
Scale does not proceed to analyse body composition	Taking a measurement while wearing shoes or socks	Stand barefoot on the scale and keep feet in full contact with the electrodes when taking a measurement
	Using the weight-only measuring mode in the EufyLife app	Change the measuring mode in the EufyLife.



Specifications

Power Source	4.5 V (3 × AAA batteries)
LED Display	2.6 × 1.2 in / 67 × 29 mm
Measurement Unitse	Pound / Kilogram
Unit Increments	0.1 lb / 0.1 kg
Body Fat Unit Increments	0.1 %
Body Water Unit Increments	0.1 %
Muscle Mass Unit Increments	0.1 %
Measurement Range	11-397 lb / 5-180 kg
Working Environment	Temperature: 5 - 40 °C Humidity: 20 - 90% RH
Storage Environment	Temperature: -20 - 50 °C Humidity: <= 90% RH
Operating Frequency Range	2402 - 2480 MHz
Radio-Frequency Power	4 dBm

Dimension	11.0 × 11.0 × 0.9 in / 280 × 280 × 24 mm
Net Weight	3.31 lb / 1.5 kg

Warning

This content is compiled from multiple sources and is provided for reference purposes only. It may not be complete or fully applicable to all situations. If you are unable to resolve your issue, please contact the product manufacturer or an authorized service provider for official support.