

# USER MANUAL REFRIGERATOR

## REFRIGERATOR USE

### Using the Controls

Your refrigerator has two controls that affect the temperature. The Temperature control located at the top front of the refrigerator compartment and the Airflow control located on the back wall of the freezer compartment.

#### IMPORTANT:

- The recommended setting should be correct for normal household refrigerator use. The controls are set correctly when milk or juice is as cold as you like and when ice cream is firm.
- Wait 24 hours for your refrigerator to cool completely before adding food. If you add food before the refrigerator has cooled completely, your food may spoil.

**NOTE:** Adjusting the refrigerator and freezer temperature controls to a colder than recommended setting will not cool the compartments any faster.

- If the temperature is too warm or too cold in the refrigerator or freezer, first check the air vents to be sure they are not blocked before adjusting the controls.

#### Temperature Control

For your convenience, the Temperature control is preset at the factory. When you first install your refrigerator, make sure the control is still preset as shown.

#### Recommended Setting



## Cooling Off/On

- To turn cooling off, press and hold the Setting button for 4 seconds until all lights are illuminated for 1 second. To turn cooling back on, press and hold the Setting button again for 4 seconds.

**NOTE:** Neither compartment will cool when the control is set to OFF.



## Adjusting the Temperature Control

If you need to adjust the temperature in either the refrigerator or freezer compartment, use the settings listed in the chart below as a guide.

**NOTE:** Except when starting the refrigerator, do not adjust the control more than one setting at a time. Wait 24 hours between adjustments for the temperature to stabilize.

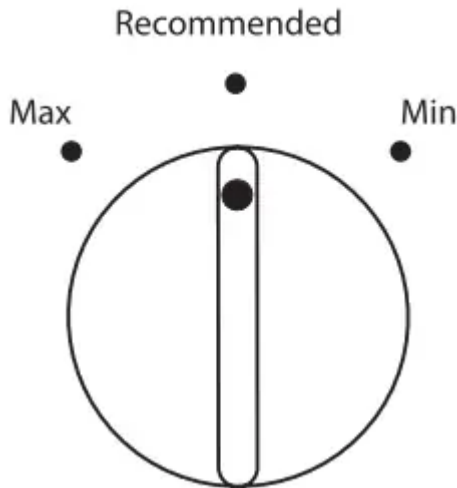
- Press the SETTING button to toggle among the 4 LED lights which indicate the temperature setting. Reading from left to right, the LED in the first position is the least cold. The LEDs indicate increasingly colder settings as you continue to the right until all 4 LEDs are illuminated.

CONDITION/REASON:	ADJUSTMENT:
REFRIGERATOR too warm	TEMPERATURE control one setting higher
FREEZER too warm/Too little ice	AIRFLOW or TEMPERATURE control one setting higher
REFRIGERATOR too cold	TEMPERATURE control one setting lowe
FREEZER too cold	AIRFLOW or TEMPERATURE control one setting lower

## Airflow Control

The Airflow control regulates the amount of air flowing between the freezer and the refrigerator compartments.

When you plug in the refrigerator for the first time, turn the Airflow control to the Recommended setting.



## Adjusting the Airflow Control

If you want to temporarily increase the cold airflow to a specific compartment, adjust the control.

- Max - Increase airflow to the freezer.
- Min - Increase airflow to the refrigerator.

**IMPORTANT:** Once the performance is achieved, return the Airflow control to the Recommended setting to keep the refrigerator operating at optimum efficiency.

CONDITION/REASON:	ADJUSTMENT
Heavy ice use	Max
Hot room temperature	Max - to maximize freezer cooling
Large quantity of groceries	Min - to quickly defrost

## REFRIGERATOR FEATURES

Your model may have some or all of these features.

**Important information to know about glass shelves and covers:**

Do not clean glass shelves or covers with warm water when they are cold. Shelves and covers may break if exposed to sudden temperature changes or impact, such as bumping. Tempered glass is designed to shatter into many small, pebble-size pieces. This is normal. Glass shelves and covers are heavy. Use both hands when removing them to avoid dropping.

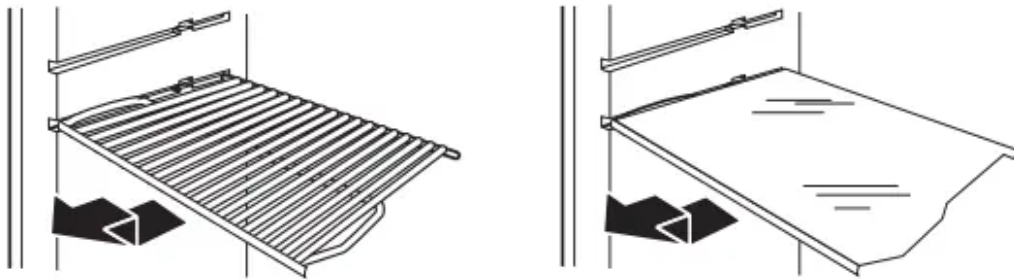
## Refrigerator Shelves

The shelves in your refrigerator are adjustable to match your individual storage needs.

Storing similar food items together in your refrigerator and adjusting the shelves to fit different heights of items will make finding the exact item you want easier. It will also reduce the amount of time the refrigerator door is open, and save energy.

**To remove and replace a shelf:**

1. Remove items from the shelf.
2. Slide the shelf straight out to the stop.
3. Depending on your model, lift back or front of the shelf past the stop. Slide shelf out the rest of the way.
4. Replace the shelf by sliding the back of the shelf into the track in the wall of the cabinet.
5. Guide the front of the shelf into the shelf track. Be sure to slide the shelf in all the way.



## Deli Drawer

The deli drawer design allows flexible positioning.

**To reposition the deli drawer:**

1. Remove deli drawer.
2. Release cover and place it between the desired crossbars.
3. Secure the rear clips onto the shelf.
4. Replace the deli drawer.

### To remove and replace the deli drawer:

1. Slide deli drawer out to the stop.
2. Lift front of deli drawer with one hand while supporting bottom of drawer with other hand. Slide drawer out the rest of the way.
3. Replace the drawer by sliding it back in fully past the drawer stop.

### Deli Drawer Cover

#### To remove and replace the deli drawer cover:

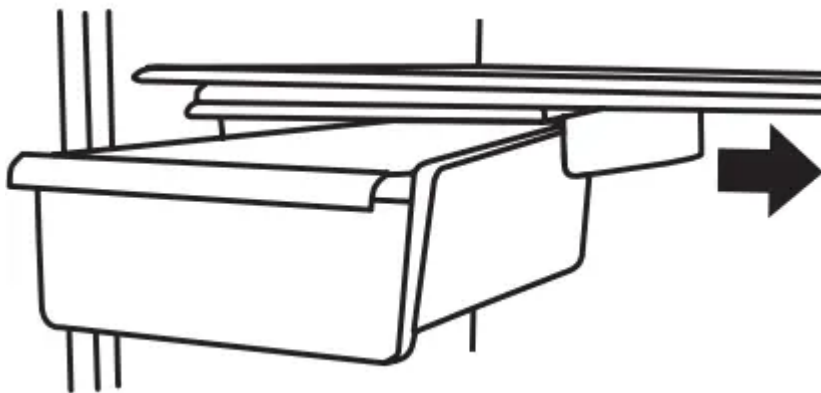
##### Style 1 - Wire Shelves

1. Remove the deli drawer.
2. Push the cover back to release the rear clips from the shelf. Tilt the cover up at the front, and then pull it forward.
3. Replace the deli drawer cover by fitting the notches and clips on the cover over the rear and center crossbars on the shelf.
4. Replace the deli drawer.

##### Style 2 - Glass Shelves

1. Remove the deli drawer.
2. Remove items from the shelf.
3. Slide the shelf straight out to the stop.
4. Slide the deli cover to one side until free.
5. Insert the cover into the shelf tracks.
6. Slide the shelf back into the refrigerator, and then replace the deli drawer.

**NOTE:** The deli drawer slides sideways on the shelf to allow for flexible positioning.



### Meat Storage Guide

Store most meat in original wrapping as long as it is airtight and moisture-proof. Rewrap if necessary. See the following chart for storage times. When storing meat longer than the times given, freeze the meat.

Fresh fish or shellfish.....Use same day as purchased.

Chicken, ground beef, variety meats (liver) ..... 1-2 days

Cold cuts, steaks/roasts ..... 3-5 days

Cured meats.....7-10 days

Leftovers - Cover leftovers with plastic wrap, aluminum foil, or plastic containers with tight lids.

## **Crisper**

### **Crisper Drawers**

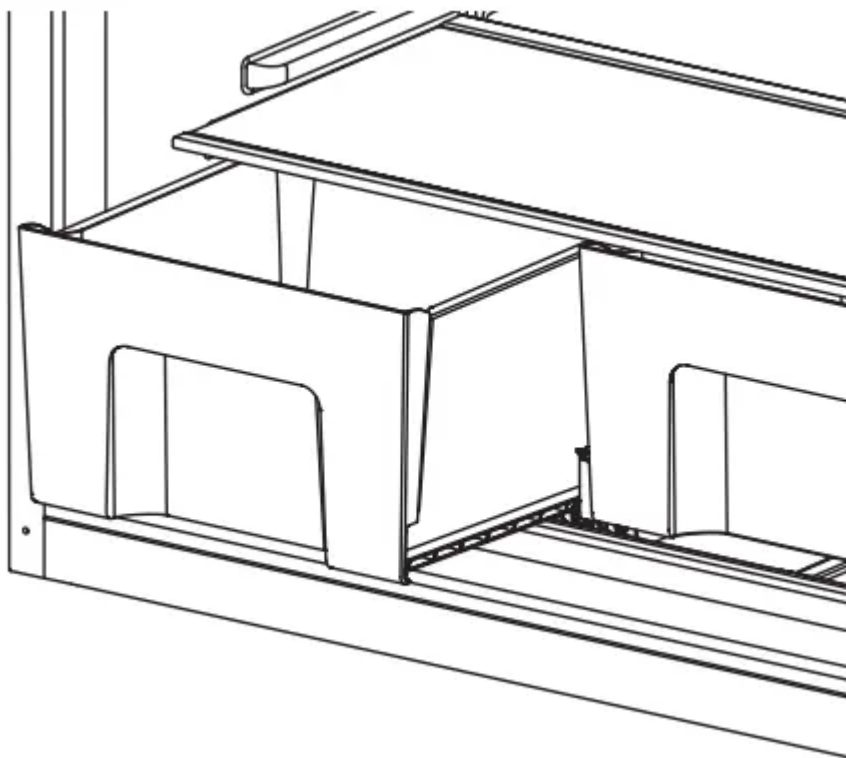
#### **To remove and replace the crisper drawer:**

1. Slide the crisper drawer straight out to the stop. Lift the front and slide the drawer out the rest of the way.
2. Replace the drawer by sliding the drawer in fully past the stop.

### **Crisper Cover**

#### **To remove and replace the crisper cover:**

1. Remove the crisper(s).
2. Pull the glass straight out.
3. Replace the glass by pushing it straight in.



### **Crisper Humidity Control**

You can control the amount of humidity in the moisture-sealed crisper. Adjust the control to any setting between LOW and HIGH. LOW (open) lets moist air out of the crisper for best storage of fruits and vegetables with skins.

- Fruit: Wash, let dry, and store in refrigerator in plastic bag or crisper. Do not wash or hull berries until they are ready to use. Sort and keep berries in original container in crisper or store in a loosely closed paper bag on a refrigerator shelf.
- Vegetables with skins: Place in plastic bag or plastic container and store in crisper. HIGH (closed) keeps moist air in the crisper for best storage of fresh, leafy vegetables.
- Leafy vegetables: Wash in cold water, drain, and trim or tear off bruised and discolored areas. Place in plastic bag or plastic container and store in crisper.

## **FREEZER FEATURES**

Your model may have some or all of these features.

### **Important information to know about glass shelves and covers:**

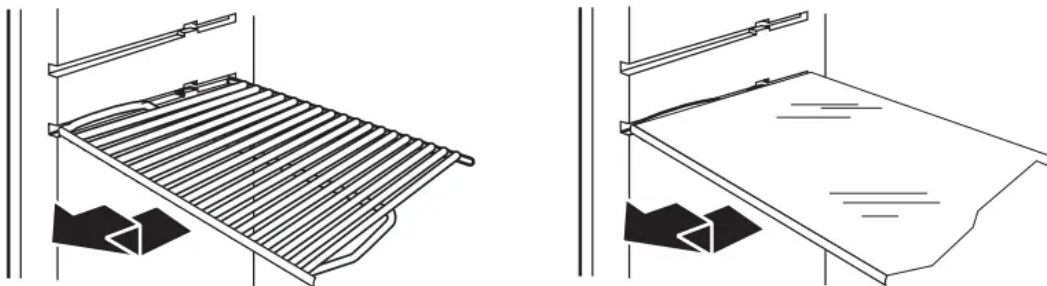
Do not clean glass shelves or covers with warm water when they are cold. Shelves and covers may break if exposed to sudden temperature changes or impact, such as bumping. Tempered glass is designed to shatter into many small, pebble-size pieces. This is normal. Glass shelves and covers are heavy. Use both hands when removing them to avoid dropping.

## Freezer Shelf

Depending on your model, the shelf may be wire or glass.

### To remove and replace a shelf:

1. Remove items from the shelf.
2. Slide the shelf straight out to the stop.
3. Depending on your model, lift back or front of the shelf past the stop. Slide shelf out the rest of the way.
4. Replace the shelf by sliding the back of the shelf into the track in the wall of the cabinet.
5. Guide the front of the shelf into the shelf track. Be sure to slide the shelf in all the way.



## Frozen Food Storage Guide

Storage times will vary according to the quality and type of food, the type of packaging or wrap used (should be airtight and moisture-proof), and the storage temperature. Seal the package or container securely to avoid taste and odor transfer throughout the product. Ice crystals inside a sealed package are normal. This simply means that moisture in the food and air inside the package have condensed, creating ice crystals.

Put no more unfrozen food into the freezer than will freeze within 24 hours (no more than 2 to 3 lbs of food per cubic foot [907 to 1,350 g per L] of freezer space). Leave enough space in the freezer for air to circulate around packages. The freezer door must close tightly.

**NOTE:** For more information on preparing food for freezing, check a freezer guide or reliable cookbook.

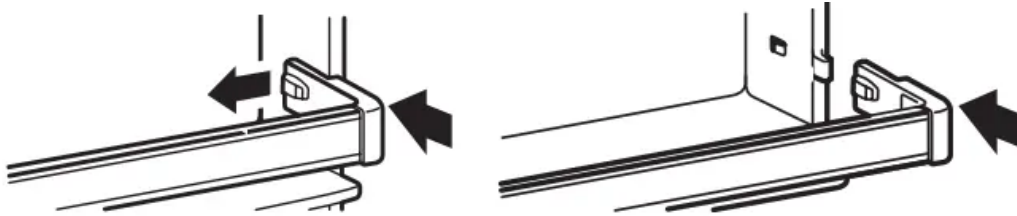
## DOOR FEATURES

### Door Rails

The door rails may be removed for easier cleaning.

### To remove and replace the rails:

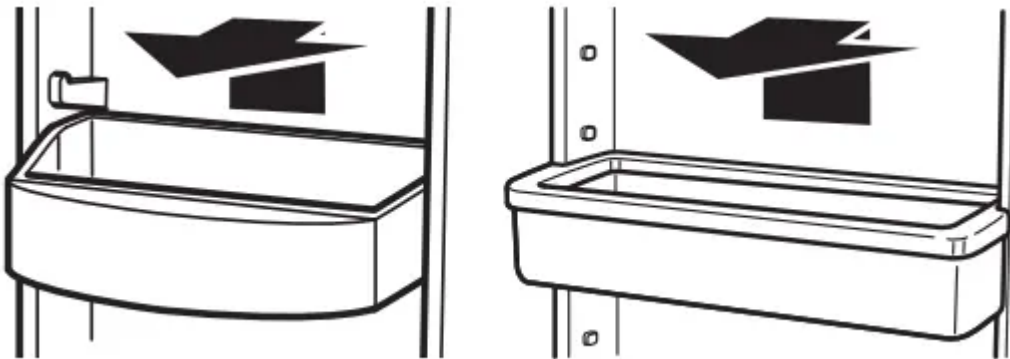
1. Depending on your model, remove the rails by pushing in slightly on the front of the bracket while pulling out on the inside tab. Repeat these steps for the other end.
2. Replace the rails by aligning the ends of the brackets with the buttons on the sides of the door liner. Firmly snap bracket and assembly onto the tabs above the shelf as shown.



### Door Bins

### To remove and replace the bins:

1. Remove the bin by lifting it and pulling it straight out.
2. Replace the bin by sliding it in above the desired support and pushing it down until it stops.

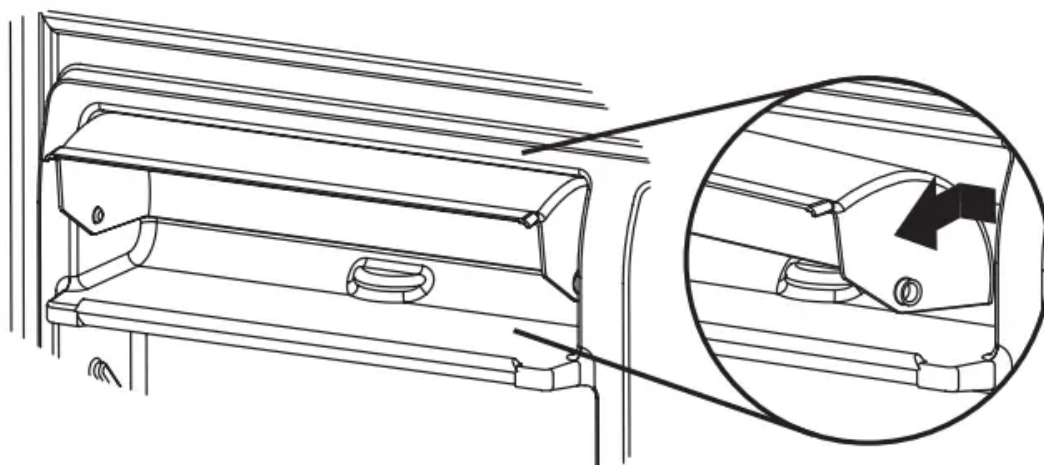


### Utility Compartment

The utility compartment may be removed for easier cleaning.

### To remove and replace the utility compartment:

1. Remove the utility compartment by squeezing against one side while raising the utility compartment up and pulling it straight out.
2. Replace the utility compartment by positioning one side in the lock and sliding in the opposite side until it stops.



## Ice Maker

**IMPORTANT:** For models with a water filter, after connecting the refrigerator to a water source or replacing the water filter, fill and discard three full containers of ice to prepare the water filter for use.

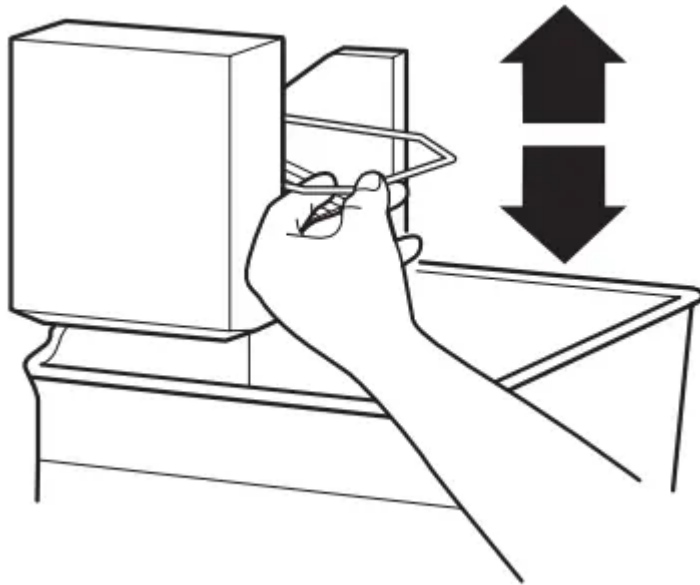
For products without any part of the ice dispensing circuit, ice maker and internal water circuit parts can only be installed by the Manufacturer or by its Service Agent.

For Easy Connect (ice maker ready) products, ice maker can be easily installed by the user, following instruction given with the kit. In "Accessories" part of this manual you can find the ice maker part number to be purchased.

### Turning the Ice Maker On/Off

To turn the ice maker on, simply lower the wire shut-off arm. To manually turn the ice maker off, lift the wire shut-off arm to the Off (arm up) position and listen for the click.

**NOTE:** Your ice maker has an automatic shutoff. As ice is made, the ice cubes will fill the ice storage bin and the ice cubes will raise the wire shut-off arm to the Off (arm up) position. Do not force the wire shut-off arm up or down.



### Ice Storage Bin

1. Wash the ice storage bin with mild soap and warm water.
2. Slide the ice storage bin under the ice maker and push it toward the back as far as it will go.
3. Lower the arm on the ice maker to the On position.  
**NOTE:** It usually takes approximately 24 hours for the ice maker to begin producing ice. You may notice the ice has an “off-taste.” If so, discard the first three batches of ice produced. After that the “off-taste” should be gone.

### Ice Production Rate

- The ice maker should produce approximately 8 to 12 batches of ice in a 24-hour period. Allow 3 days to completely fill the ice container.
- To increase ice production, lower the freezer and refrigerator temperatures. See “Using the Controls.” Wait 24 hours between adjustments.

### Remember

- The quality of your ice will be only as good as the quality of the water supplied to your ice maker. Avoid connecting the ice maker to a softened water supply. Water softener chemicals (such as salt) can damage parts of the ice maker and lead to poor quality ice. If a softened water supply cannot be avoided, make sure the water softener is operating properly and is well maintained.
- Do not use anything sharp to break up the ice in the bin. This can cause damage to the ice storage bin and the dispenser mechanism.
- Do not store anything on top of or in the ice maker or ice storage bin.

# REFRIGERATOR CARE

## Cleaning

**WARNING**



**Explosion Hazard Use nonflammable cleaner.**

**Failure to do so can result in death, explosion, or fire.**

Both the refrigerator and freezer sections defrost automatically. However, clean both sections about once a month to avoid buildup of odors. Wipe up spills immediately.

### **IMPORTANT:**

- Because air circulates between both sections, any odors formed in one section will transfer to the other. You must thoroughly clean both sections to eliminate odors. To avoid odor transfer and drying out of food, wrap or cover foods tightly.
- For stainless steel models, stainless steel is corrosion resistant and not corrosion-proof. To help avoid corrosion of your stainless steel, keep your surfaces clean by using the following cleaning instructions.

### **To Clean Your Refrigerator:**

**NOTE:** Do not use abrasive or harsh cleaners such as window sprays, scouring cleansers, flammable fluids, muriatic acid, cleaning waxes, concentrated detergents, bleaches or cleansers containing petroleum products on exterior surfaces (doors and cabinet), plastic parts, interior and door liners, or gaskets. Do not use paper towels, scouring pads, or other harsh cleaning tools.

1. Unplug refrigerator or disconnect power.
2. Hand wash, rinse, and dry removable parts and interior surfaces thoroughly. Use a clean sponge or soft cloth and a mild detergent in warm water.
3. Clean the exterior surfaces.

**Painted metal:** Wash painted metal exteriors with a clean, soft cloth or sponge and a mild detergent in warm water. Rinse surfaces with clean, warm water and dry immediately to avoid water spots.

**Stainless steel:** Wash stainless steel surfaces with a clean, soft cloth or sponge and a mild detergent in warm water. Rinse surfaces with clean, warm water and dry

immediately to avoid water spots.

**NOTE:** When cleaning stainless steel, always wipe in the direction of the grain to avoid cross-grain scratching.

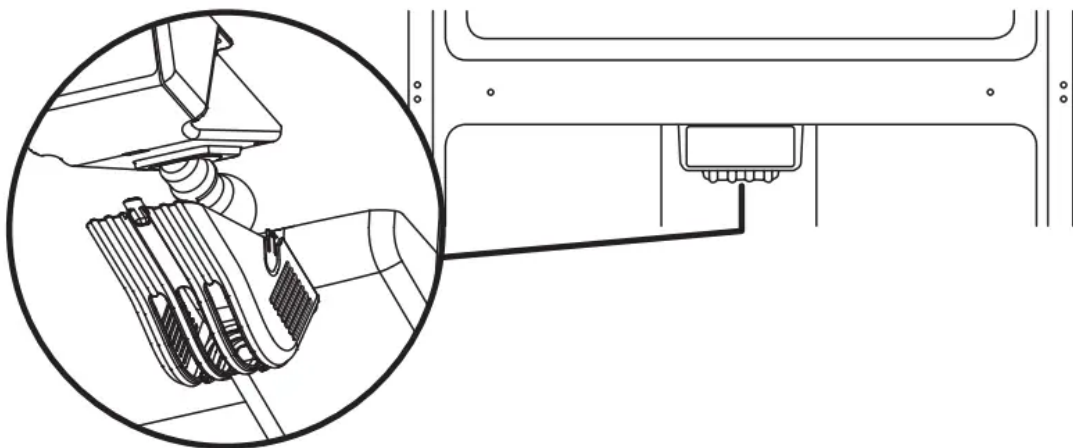
4. Plug in refrigerator or reconnect power.

## Changing the Light Bulb

The light bulb is located behind the Temperature control.

**IMPORTANT:** Depending on your model, the light bulb in the your new refrigerator may use LED technology. If your model uses LED lighting and the light does not illuminate when the refrigerator door is opened, call for assistance or service. See Warranty for phone numbers.

1. Unplug refrigerator or disconnect power.
2. Remove the light shield by squeezing in on the sides and pulling it straight down.
3. Remove the light bulb and replace it with an appliance bulb of the same size and shape.
  - For the refrigerator compartment, to replace with an LED light bulb, order part number W10565137 (3.6 W). NOTE: Some LED replacement bulbs are not recommended for wet/damp environments. The refrigerator and freezer compartments are considered to be wet/damp environments. If using a brand of LED bulb other than the Whirlpool recommended LED bulb, before installation, read and follow all instructions on the LED packaging.
  - If an incandescent bulb is used to replace an LED bulb, use only incandescent bulbs for household appliances with a maximum of 60 W.
4. Replace the light shield.



5. Plug in refrigerator or reconnect power.

## Vacation and Moving Care

### Vacations

#### If You Choose to Leave the Refrigerator On While You're Away:

1. Use up any perishables and freeze other items.
2. If your refrigerator has an automatic ice maker and is connected to the household water supply, turn off the water supply to the refrigerator. Property damage can occur if the water supply is not turned off.
3. If you have an automatic ice maker, turn off the ice maker.  
**NOTE:** Raise the wire shut-off arm to OFF (up) position.
4. Empty the ice bin.

#### If You Choose to Turn Off the Refrigerator Before You Leave:

1. Remove all food from the refrigerator.
2. If your refrigerator has an automatic ice maker:
  - Turn off the water supply to the ice maker at least one day ahead of time.
  - When the last load of ice drops, raise the wire shut-off arm to the Off (up) position.
3. Turn off the Temperature controls. See "Using the Controls."
4. Clean refrigerator, wipe it, and dry well.
5. Tape rubber or wood blocks to the tops of both doors to prop them open far enough for air to get in. This stops odor and mold from building up.

### Moving

When you are moving your refrigerator to a new home, follow these steps to prepare it for the move.

1. If your refrigerator has an automatic ice maker:
  - Turn off the water supply to the ice maker at least one day ahead of time.
  - Disconnect the water line from the back of the refrigerator.
  - When the last load of ice drops, raise the wire shut-off arm to the Off (up) position.
2. Remove all food from the refrigerator and pack all frozen food in dry ice.
3. Empty the ice bin.
4. Turn off the Temperature controls. See "Using the Controls."
5. Unplug refrigerator.
6. Clean, wipe, and dry thoroughly.
7. Take out all removable parts, wrap them well, and tape them together so they don't shift and rattle during the move.


8. Depending on the model, raise the front of the refrigerator so it rolls more easily OR raise the leveling screws so they don't scrape the floor. See "Adjust the Door(s)" or "Door Closing and Door Alignment."
9. Tape the doors closed and tape the power cord to the back of the refrigerator.

When you get to your new home, put everything back and refer to the "Installation Instructions" section for preparation instructions. Also, if your refrigerator has an automatic ice maker, remember to reconnect the water supply to the refrigerator.

## TROUBLESHOOTING

### Refrigerator Operation

The refrigerator will not operate

WARNING	
	
<p><b>Electrical Shock Hazard Plug into a grounded 3 prong outlet.</b></p> <p><b>Do not remove ground prong.</b></p> <p><b>Do not use an adapter.</b></p> <p><b>Do not use an extension cord.</b></p> <p><b>Failure to follow these instructions can result in death, fire, or electrical shock.</b></p>	

■	<b>Power cord unplugged?</b> Plug into a grounded 3 prong outlet.
■	<b>Is outlet working?</b> Plug in a lamp to see if the outlet is working.
■	<b>Household fuse blown or circuit breaker tripped?</b> Replace the fuse or reset the circuit breaker. If the problem continues, call an electrician.
■	<b>Controls on?</b> Make sure the refrigerator control is ON. See “Using the Controls.”
■	<b>New installation?</b> Allow 24 hours following installation for the refrigerator to cool completely.  <b>NOTE:</b> Adjusting the temperature controls to coldest setting will not cool the refrigerator more quickly.

### The lights do not work

- **Light bulb burned out?** Replace light bulb. See “Changing the Light Bulb.”

### The motor seems to run too much

Your new refrigerator may run longer than your old one due to its high-efficiency compressor and fans. The unit may run even longer if the room is warm, a large food load is added, the door is opened often, or if the door has been left open.

### The refrigerator seems noisy

Refrigerator noise has been reduced over the years. Due to this reduction, you may hear intermittent noises from your new refrigerator that you did not notice from your old model. Below are listed some normal sounds with explanations.

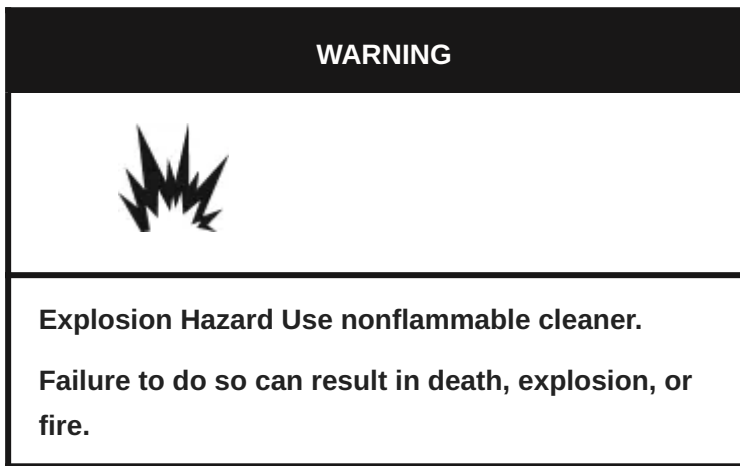
■	<b>Buzzing</b> - heard when the water valve opens to fill the ice maker
■	<b>Pulsating</b> - fans/compressor adjusting to optimize performance.
■	<b>Hissing/Rattling</b> - flow of refrigerant, movement of water lines, or from items placed on top of the refrigerator.
■	<b>Sizzling/Gurgling</b> - water dripping on the heater during Defrost cycle
■	<b>Popping</b> - contraction/expansion of inside walls, especially during initial cooldown
■	<b>Water running/dripping</b> - may be heard when ice melts during defrosting and water runs into the drain pan.
■	<b>Creaking/Cracking</b> - occurs as ice is being ejected from the ice maker mold

**The doors will not close completely or they pop open**

■	<b>Door blocked open?</b> Move food packages away from door.
■	<b>Bin or shelf in the way?</b> Push bin or shelf back in the correct position.
■	<b>Crisper cover in the way?</b> Make sure the crisper cover is fully pushed in so that the back rests on the supports.
■	<b>Refrigerator not tilted toward the rear?</b> So the doors will close easier, raise the front of the refrigerator so that it tilts slightly downward toward the rear. See “Adjust the Doors.”
■	<b>Door closed too quickly?</b> Close the door slowly and firmly to keep the door from popping open.



## The door is difficult to open



- **Gaskets dirty or sticky?** Clean gaskets and contact surfaces with mild soap and warm water. Rinse and dry with soft cloth.

## Temperature and Moisture

■	<b>New installation?</b> Allow 24 hours following installation for the refrigerator to cool completely.
■	<b>Door opened often or left open?</b> Allows warm air to enter refrigerator. Minimize door openings and keep door fully closed.
■	<b>Large load of food added?</b> Allow several hours for refrigerator to return to normal temperature.
■	<b>Controls set correctly for the surrounding conditions?</b> Adjust the controls a setting colder. Check temperature in 24 hours. See "Using the Controls."

## There is interior moisture buildup

**NOTE:** Some moisture buildup is normal.

- **Humid room?** Contributes to moisture buildup.
- **Door opened often or left open?** Allows humid air to enter refrigerator. Minimize door openings and keep door fully closed.

## Ice and Water

### The ice maker is not producing ice or not enough ice

■ <b>Refrigerator connected to a water supply and the supply shut-off valve turned on?</b> Connect refrigerator to water supply and turn water shut-off valve fully open.
■ <b>Kink in the water source line?</b> A kink in the line can reduce water flow. Straighten the water source line.
■ <b>Ice maker turned on?</b> Make sure wire shut-off arm or switch (depending on model) is in the On position.
■ <b>New installation?</b> Wait 24 hours after ice maker installation for ice production to begin. Allow 3 days to completely fill the ice container.
■ <b>Large amount of ice recently removed?</b> Allow 24 hours for ice maker to produce more ice.
■ <b>Ice cube jammed in the ice maker ejector arm?</b> Remove ice from the ejector arm with a plastic utensil.
■ <b>Reverse osmosis water filtration system connected to your cold water supply?</b> This can decrease water pressure.  See "Water Supply Requirements."

### The ice cubes are hollow or small

**NOTE:** This is an indication of low water pressure.

■ <b>Water shut-off valve not fully open?</b> Turn the water shut-off valve fully open.
■ <b>Kink in the water source line?</b> A kink in the line can reduce water flow. Straighten the water source line.
■ <b>Reverse osmosis water filtration system connected to your cold water supply?</b> This can decrease water pressure.  See "Water Supply Requirements."
■ <b>Questions remain regarding water pressure?</b> Call a licensed, qualified plumber.

## Off-taste, odor, or gray color in the ice

■ <b>New plumbing connections?</b> New plumbing connections can cause discolored or off-flavored ice.
■ <b>Ice stored too long?</b> Discard ice. Wash ice bin. Allow 24 hours for ice maker to make new ice.
■ <b>Odor transfer from food?</b> Use airtight, moisture proof packaging to store food.
■ <b>Are there minerals (such as sulfur) in the water?</b> A water filter may need to be installed to remove the minerals.

### Warning

This content is compiled from multiple sources and is provided for reference purposes only. It may not be complete or fully applicable to all situations. If you are unable to resolve your issue, please contact the product manufacturer or an authorized service provider for official support.