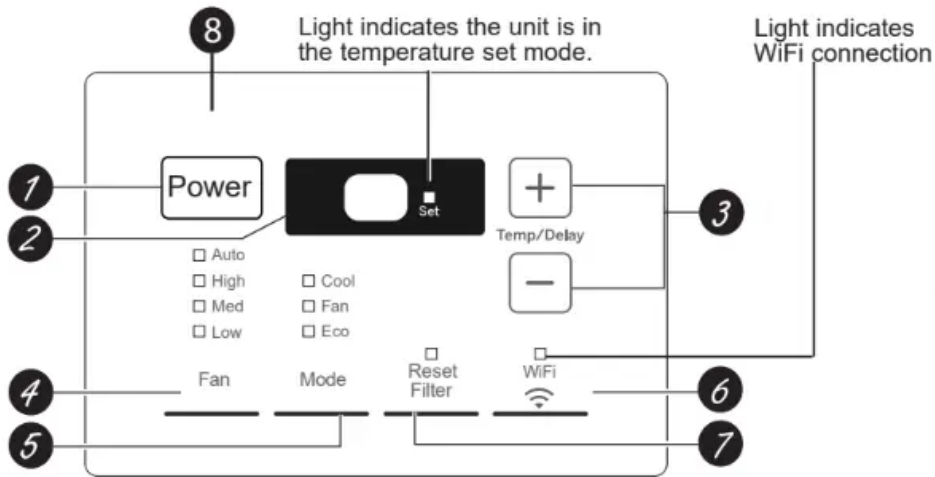


Operating Instructions

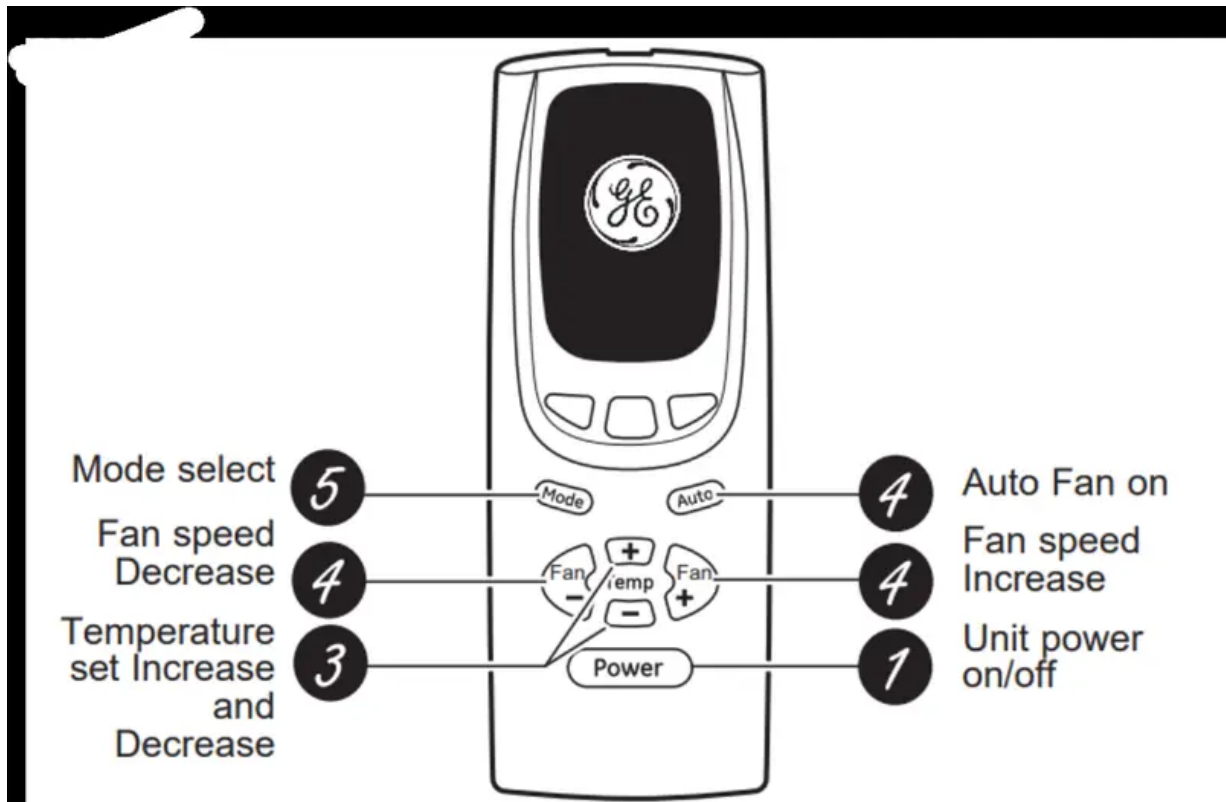
Controls

Features and appearance will vary.

Lights next to the touch pads on the air conditioner control panel indicate the selected settings.



NOTE: The display always shows the room temperature except when setting the set temperature.



Controls



NOTE: When the bucket is full or removed, the controls cannot be set.

1. Power Pad

Turns air conditioner on and off. When turned on, the display will show the room temperature.

2. Display Shows the room temperature.

Shows the Set temperature while setting the temperature in Cool or ECO modes. The Set light will turn on while setting.

3. Temp Increase + /Decrease - Pads

Use to set temperature when in Cool or ECO mode. The Set light will turn on while setting.

4. Fan Speed Pads

Use to set the fan speed to Low, Med, High or Auto on the unit.

NOTE: On the remote control, use the fan speed Increase + / Decrease – pads to set the fan speeds to Low, Med or High.

Use the Auto pad to turn Auto fan on.

5. Mode Pad

Use to set the air conditioner to Cool, ECO or Fan Only mode.

6. WiFi

Enables connection of the air conditioner to the home WiFi.

Download App for details at GEAppliances.com/connect.

7. Reset Filter

LED will turn on when fan has accumulated 250 hours of run time as a reminder to clean filter. Press Reset Filter to turn off the LED and reset the accumulated run time.

NOTE: The default temperature reading on the display is degree Fahrenheit (°F). To change the display to degree Celsius (°C), press the Temp Increase + and Temp Decrease - buttons together and hold for 3 seconds. Repeat the process to change back to degree Fahrenheit (°F)

8. Control Display On and Off

To reduce brightness during sleeping hours, this air conditioner control display has an automatic off feature where the control display will turn off completely after 5 minute of inactivity. To illuminate the control interface, press any button on the control display or remote control. The control display will illuminate all previously illuminated LED's. The control interface will now respond to any prescribed button press after it is illuminated. Press and hold the FAN+MODE button for 3 seconds to toggle this feature ON or OFF. The LED's will now stay ON anytime the unit is ON.

9. Control sound on/off

This air conditioner will make a beep when the buttons on the control are pushed or if the unit receives a command from the mobile app or remote control. To silence these beeps,



simultaneously press the FAN and “-” buttons for 3 seconds. Press these buttons again to toggle the sound back on.

Do Not Operate in Freezing Outdoor Conditions

This cool-only air conditioner was not designed for freezing outdoor conditions. It must not be used in freezing outdoor conditions.

Remote Control

- To ensure proper operation, aim the remote control at the signal receiver on the air conditioner.
- Make sure nothing is between the air conditioner and the remote control that could block the signal.
- The remote control signal has a range of up to 20 feet.
- Make sure batteries are fresh and installed correctly as indicated on the remote control.
- Remote contains a magnet allowing it to attach to metal surfaces.

Cool Mode

Use the Cool mode at Low, Med, High or Auto Fan Speed for cooling. Use the Temperature Increase + / Decrease - pads to set the desired temperature between 64°F and 86°F in 1°F increments.

An electronic thermostat is used to maintain the room temperature. The compressor will cycle on and off to keep the room at the set level of comfort. Set the thermostat at a lower number and the indoor air will become cooler. Set the thermostat at a higher number and the indoor air will become warmer.

NOTE: If the air conditioner is off and is then turned on while set to a Cool setting or if turned from a fan setting to a Cool setting, it may take approximately 3 minutes for the compressor to start and cooling to begin.

Cooling Descriptions

For Normal Cooling—Select the Cool mode and High or Med fan with a middle set temperature.

For Maximum Cooling—Select the Cool mode and High fan with a lower set temperature.

For Quieter and Nighttime Cooling—Select the Cool mode and Low fan with a middle set temperature.

ECO Mode

This mode optimizes the cooling power of your air conditioner, thereby saving you energy. Once the set point temperature has been reached, the fan will cycle off to save energy. The fan will cycle back on periodically to insure all cooling capacity in the system is used. This mode is the default mode for the unit. Each time the unit is powered off, it will restart in ECO mode ON. The first time

the unit is turned on, the settings will be 70° and Low fan. You can adjust the fan speed and temperature to your personal comfort.

ECO ON—Helps minimize electricity use. It is normal for the fan to cycle off and then back on in this mode. This on/off cycle can repeat multiple times. Because the fan will cycle off, you may notice a variation in room temperature and humidity.

ECO OFF—When this mode is not engaged, the fan will run continuously, and in Cool mode the compressor will cycle on and off to maintain room temperature.

Fan Only Mode

Use the Fan Only Mode at Low, Med or High fan speed to provide air circulation and filtering without cooling. Since fan-only settings do not provide cooling, a Set temperature cannot be entered. The room temperature will appear in the display.

NOTE: Auto Fan Speed cannot be used when in the Fan Only Mode.

Auto Fan Speed

Set to Auto fan speed for the fan speed to automatically set to the speed needed to provide optimum comfort settings with the set temperature.

If the room needs more cooling, the fan speed will automatically increase. If the room needs less cooling, the fan speed will automatically decrease.

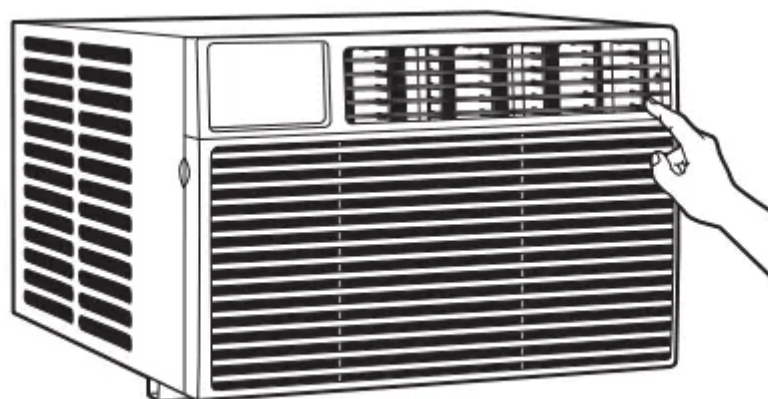
NOTE: Auto Fan Speed cannot be used when in the Fan Only Mode.

Power Outage Recovery Feature

In the case of a power outage or interruption, the unit will automatically restart in the settings last used after the power is restored.

Air Direction

Use the lever to adjust the air direction left and right only.



Care and Cleaning

Grille and Case

Turn the air conditioner off and remove the plug from the wall outlet before cleaning.

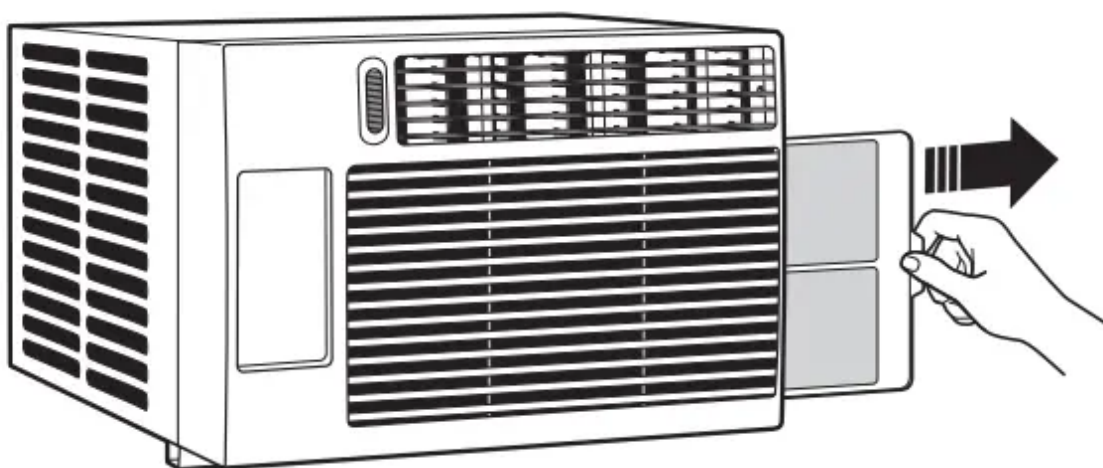
To clean, use water and a mild detergent. Do not use bleach or abrasives.

Air Filter

The air filter behind the front grille should be checked and cleaned at least every 30 days or more often if necessary.

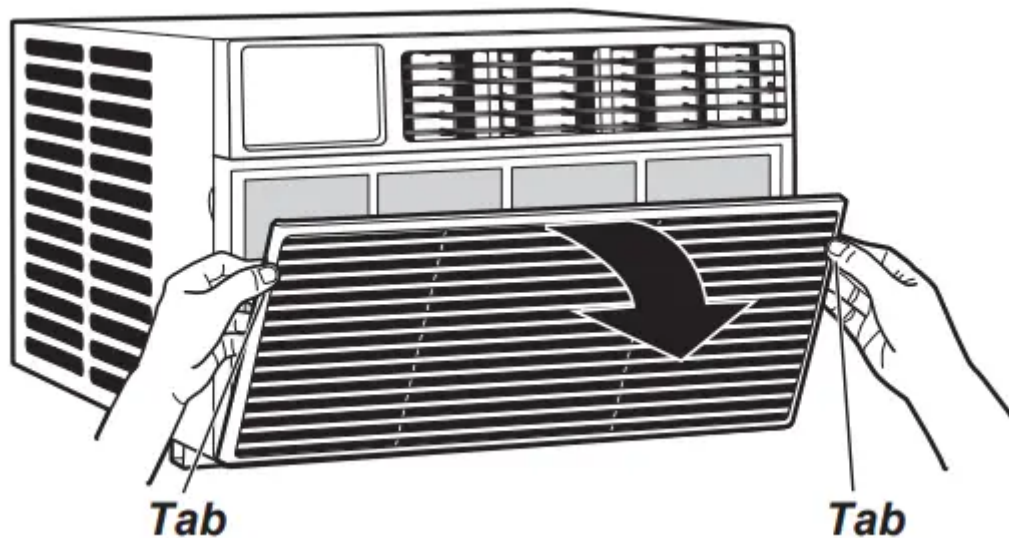
To remove:

Pull the tab on the right side of the unit until the filter is out.



To remove:

Open the inlet grille by pulling downward on the tabs at the top upper corners of the inlet grille until the grille is in a 45° position. Remove the filter.

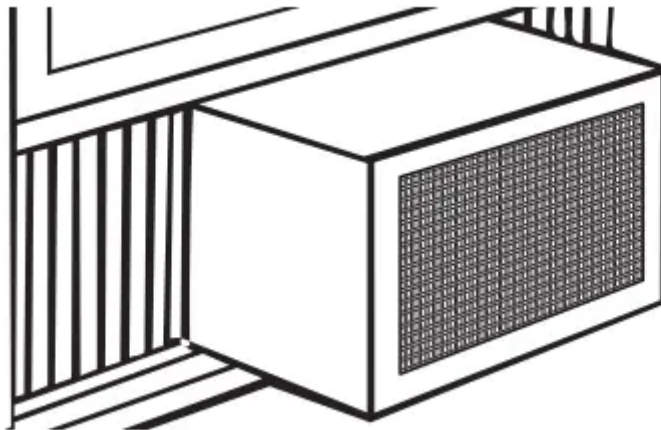


Clean the filter with warm, soapy water. Rinse and let the filter dry before replacing it. Do not clean the filter in a dishwasher.

CAUTION: DO NOT operate the air conditioner without a filter because dirt and lint will clog it and reduce performance.

Outdoor Coils

The coils on the outdoor side of the air conditioner should be checked regularly. If they are clogged with dirt or soot, they may be professionally cleaned.



How to Insert the Batteries in the Remote Control

1. Remove the battery cover by sliding it according to the arrow direction.
2. Insert new batteries, making sure that the (+) and (-) of battery are installed correctly.
3. Reattach the cover by sliding it back into position.

NOTES:

- Use 2"AAA" (1.5 volt) alkaline batteries. Do not use rechargeable batteries.

- Remove the batteries from the remote control if the system is not going to be used for a long time.
- Do not mix old and new batteries. Do not mix alkaline, standard (carbon-zinc) or rechargeable (ni-cad, ni-mh, etc) batteries.



Troubleshooting Tips... Before you call for service

| Problem | Possible Causes | What To Do |
|--|---|--|
| <p>Air conditioner does not start</p> | <p>The air conditioner is unplugged.</p> <hr/> <p>The fuse is blown/ circuit breaker is tripped.</p> <hr/> <p>Power failure.</p> <hr/> <p>The current interrupter device is tripped.</p> | <ul style="list-style-type: none"> • Make sure the air conditioner plug is pushed completely into the outlet. <hr/> • Check the house fuse/circuit breaker box and replace the fuse or reset the breaker. <hr/> • The unit will automatically re-start in the settings last used after the power is restored. • There is a protective time delay (approximately 3 minutes) to prevent tripping of the compressor overload. For this reason, the unit may not start normal cooling for 3 minutes after it is turned back on. <hr/> • Press the RESET button located on the power cord plug. • If the RESET button will not stay engaged, discontinue use of the air conditioner and contact a qualified service technician. |
| <p>Air conditioner does not cool as it should</p> | <p>Airflow is restricted.</p> <hr/> <p>The temp control may not be set correctly.</p> <hr/> <p>The air filter is dirty</p> <hr/> <p>The room may have been hot.</p> <hr/> <p>Cold air is escaping.</p> <hr/> <p>Cooling coils have iced up.</p> | <ul style="list-style-type: none"> • Make sure there are no curtains, blinds or furniture blocking the front of the air conditioner. <hr/> • On models with touch pads: In the Cool mode, press the Decrease Pad. • On models with control knobs, turn the temperature knob to a higher number. <hr/> • Clean the filter at least every 30 days. See the Care and Cleaning section. <hr/> • When the air conditioner is first turned on, you need to allow time for the room to cool down. <hr/> • Check for open furnace registers and cold air returns. |



| | | |
|--|---|--|
| | | <ul style="list-style-type: none"> • See “Air conditioner freezing up” below. |
| Air conditioner freezing up | Ice blocks the air flow and stops the air conditioner from cooling the room. | <ul style="list-style-type: none"> • On models with control knobs, set the mode control at High Fan or High Cool with the Temp at 1 or 2. • On models with touch pads, set the controls at High Fan or High Cool and set the thermostat to a higher temperature. |
| The remote control is not working | The batteries are inserted incorrectly. <hr/> The batteries may be dead. | <ul style="list-style-type: none"> • Check the position of the batteries. They should be inserted in the opposite (+) and (-) direction. <hr/> <ul style="list-style-type: none"> • Replace the batteries. |
| Water drips outside | Hot, humid weather. | <ul style="list-style-type: none"> • This is normal. |
| Water drips indoors | The air conditioner is not tilted to the outside. | <ul style="list-style-type: none"> • For proper water disposal, make sure the air conditioner slants slightly from the case front to the rear. |
| Water collects in base pan | Moisture removed from air and drains into base pan. | <ul style="list-style-type: none"> • This is normal for a short period in areas with little humidity; normal for a longer period in very humid areas. |

Normal Operating Sounds

- You may hear a pinging noise caused by water being picked up and thrown against the condenser on rainy days or when the humidity is high. This design feature helps remove moisture and improve efficiency.
- You may hear the thermostat click when the compressor cycles on and off.
- Water will collect in the base pan during high humidity or on rainy days. The water may overflow and drip from the outdoor side of the unit.
- The fan may run even when the compressor does not.
- Water droplets being thrown against the outside coils can make a pinging noise. This helps cool the condenser. You can reduce this noise by removing the side-base water hole seal by removing 2 screws, then hole seal. Removing this seal will lower the Energy

Efficiency of your unit.

NOTE: Do not drill hole in the base pan.



Warning

This content is compiled from multiple sources and is provided for reference purposes only. It may not be complete or fully applicable to all situations. If you are unable to resolve your issue, please contact the product manufacturer or an authorized service provider for official support.