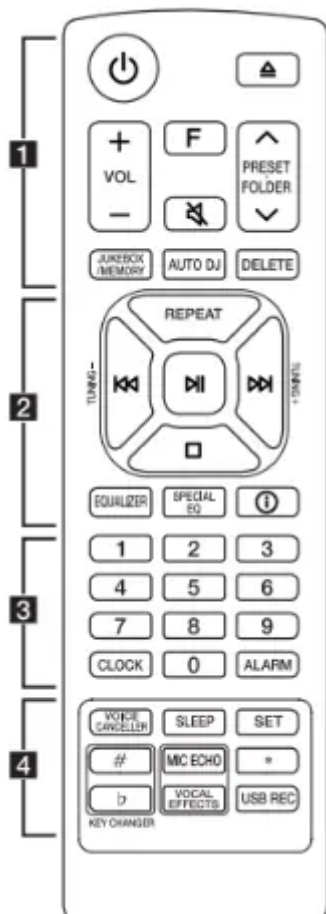


Getting Started

Remote control



Replacement of battery

Remove the battery cover on the rear of the remote control, and insert the battery with and matched correctly.

..... 2

REPEAT : Listens to your tracks/files repeatedly or randomly.

TUNING-/+ : Selects the radio stations.

⏮/⏭ (Skip/Search) :

- Skips backward or forward.
- Searches for a section within a track/file.

⏮ (Play/Pause) :

- Starts or pauses playback.
- Selects stereo/mono.

⏹ (Stop) :

- Stops playback.
- Cancels DELETE function.

EQUALIZER : Chooses sound impressions.

SPECIAL EQ : Chooses special equalizer.

i (Information) :

- Sees information about your music. An MP3 file often come with ID3 tag. The tag gives the Title, Artist, Album or Time information.
- Sees **Bluetooth** device name of the unit in BT READY.
- Sees the name of connected all **Bluetooth** device in **Bluetooth** mode.
- When these units are successfully connected each other in WIRELESS PARTY LINK mode, each of connected device names appears in the each unit.

..... 3

0 to 9 numerical buttons : Selects numbered tracks, files, or preset number.

CLOCK : Sets a clock and checks a time.

ALARM : With the ALARM function you can turn on CD, USB play and tuner reception at a desired time.

..... 4

VOICE CANCELLER : You can reduce the vocal tones during music playback from various input sources.

SLEEP : Sets the system to turn off automatically at a specified time.

(Dimmer : The display window will be darkened by half.)

SET : Confirms the setting.

KEY CHANGER (b/#) : Changes the key to suit your vocal range.

MIC ECHO : Selects ECHO mode.

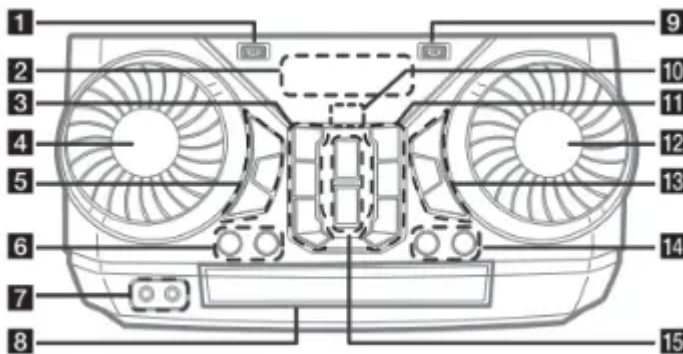
★ : This button is not available.

VOCAL EFFECTS : Selects various vocal effects mode.

USB REC :

- Records to USB.
- To stop Recording, press and hold for 3 seconds.

Front panel



1 USB 1 Port

You can play sound files by connecting the USB device.

2 Display window

3 (Standby)

Turns the power on or off.

USB REC / DEMO

- Records to USB
- To stop Recording, press and hold for 3 seconds.
- In power off status, if you press USB REC / DEMO, show DEMO mode

(Skip/Search)

- Skips backward.
- Searches for a section within a track/file.
- Selects the radio stations.

(Stop)

- Stops playback or cancels DELETE function.

4 USB 2 Port

You can play sound files by connecting the USB device.

5 SPECIAL EQ/ BASS BLAST (or BASS BLAST+)

- Chooses special equalizer.
- Press and hold to select BASS (or BASS+) effect directly.

SEARCH

Moves to folder or file in selection mode.

OK

Selects a folder when searching a file.

6 LIGHTING

Selects lighting mode.

VOICE CANCELLER

You can reduce the vocal tones during music playback from various input sources.

7 PORTABLE IN jack

MIC (Microphone) jack

8 Disc tray

9 USB 2 Port

You can play sound files by connecting the USB device.

10 (Remote sensor)

11 F (Function)

Selects the function and input source

WIRELESS LINK

- Selects MAIN or OTHER on WIRELESS PARTY LINK mode.
- Enable or disable WIRELESS PARTY LINK mode

(Skip/Search)

- Skips forward.
- Searches for a section within a track/file.
- Selects the radio stations.

(Open/Close)

Opens and closes the disc tray

12 MASTER VOL. (Volume) / MULTI

- Adjust speaker volume.
- Adjust microphone volume.
- Selects vocal effects.

13 VOCAL EFFECTS

Selects VOCAL EFFECTS mode.

MIC VOL (Microphone volume)

Selects microphone volume mode.

MIC ECHO

Selects ECHO mode.

14 KEY CHANGER (/ #)

Changes the key to suit your vocal range

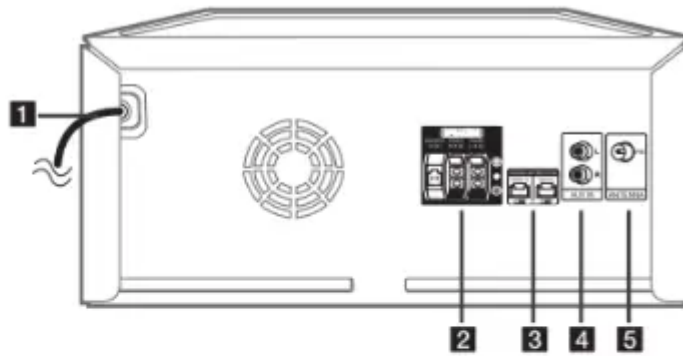
15 AUTO DJ

Selects the AUTO DJ mode.

(Play/Pause)

- Starts or pauses playback
- Selects stereo/mono.

Rear panel



- 1** Power cord
- 2** SPEAKERS connector
- 3** SPEAKER LIGHTING SYSTEM
Connect the speaker lighting cables.
- 4** AUX IN (L/R)
Connect an auxiliary device.
- 5** ANTENNA (FM)

Useful functions for using the unit

Function	Description	To do	Do this
BT Lock On/Off (Page 22)	It allows you to connect a Bluetooth device only on BT (Bluetooth) and LG TV functions. Initial setting of this function was set to off.	ON	Press and hold ▶ for 5 seconds in BT (Bluetooth) function.
		OFF	Press and hold ▶ for 5 seconds in BT (Bluetooth) function.
Auto Power On (Page 35)	It allows the unit to turn on automatically by input signals : BT (Bluetooth) or LG TV	ON	Turn off the unit by pressing ⏻ on the unit for 5 seconds.
		OFF	Turn off the unit by pressing ⏻ on the unit for 5 seconds.

Connecting

Connecting to speakers

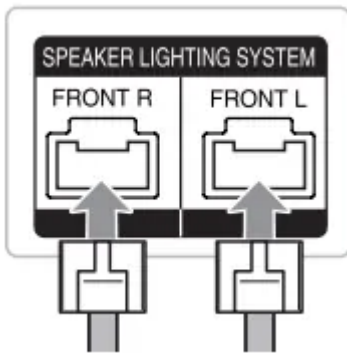
Attaching the speakers to the unit

To connect the cable to the unit, press each plastic finger pad to open the connection terminals on the unit. Insert the wire and release the finger pad.

Connect the black of each wire to the terminals marked - (minus) and the other end to the terminals marked + (plus).

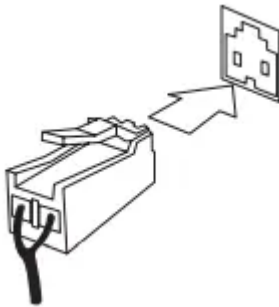
Attaching the speaker light cables to the unit

To connect the speaker light cable to the unit, insert the cable to SPEAKER LIGHTING SYSTEM connectors on the unit



Attaching the subwoofer to the unit

Connect a woofer cord to the player. When connecting a woofer cord to the player, insert the connector until it clicks.



Caution

- When you connect the speakers to the unit, make sure to connect the speaker's cable and plug to the corresponding speaker connector.
- Check the volume level before playing music to prevent infirm, child, and pregnant women from being shocked by the sudden and loud sound from the unit.
- Do not use the unit in a limited space. It may damage a person's hearing. It is recommended to use it in a wide space
- Be careful to make sure children do not put their hands or any objects into the *speaker duct. * speaker duct : A hole for plentiful bass sound on speaker cabinet (enclosure)
- Use the speaker supplied with this unit only. Using any other speaker may cause malfunction.
- The speakers contain magnet parts, so color irregularity may occur on the TV screen or PC monitor screen. Please use the speakers far away from either TV screen or PC monitor

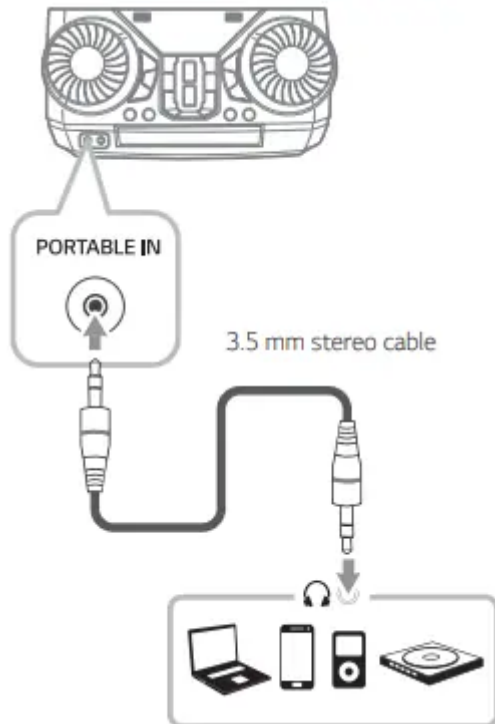
Optional Equipment Connection

AUX IN Connection

Connect an output of auxiliary device (Camcorder, TV, Player, etc) to the AUX IN (L/R) connector. If your device has only one output for audio (mono), connect it to the left (white) audio jack on the unit.

PORT. IN Connection

Connect an output (earphone or line out) of portable device (MP3 or PMP etc) to the PORTABLE IN (3.5 mm) connector



Listening to music from your external device

The unit can be used to play music from many types of external device.

1. Connect the portable player to the PORTABLE IN connector of the unit.

Or

Connect the external device to the AUX IN (L/R) connector of the unit

2. Turn the power on by pressing .

3. Press F to select AUX or PORTABLE function

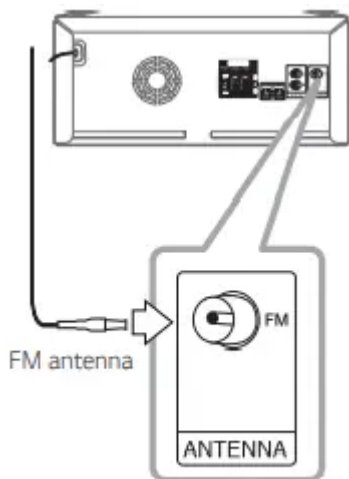
4. Turn on the portable player or external device and start it playing.

USB Connection

Connect a USB device (or MP3 player, etc.) to the USB ports on the unit.

Antenna Connection

Connect the supplied FM antenna for listening to the radio



Operating

Basic Operations

CD/USB Operations

1. Insert the disc by pressing . Or connect the USB device to the USB port.
2. Select CD or USB function by pressing F.

Auto Play

- AUDIO/MP3/WMA CD is played automatically after disc tray is opened and then closed.
- Automatically the unit switches to the CD function if disc tray is opened and then closed even when there is no disc in disc tray

Selecting a folder and an MP3/WMA file

On the unit

1. Press SEARCH and rotate EQUALIZER / SEARCH or until a desired file appears. You can also search a folder if you press SEARCH again.
2. Press OK or to play the selected file. When you search a folder, press OK to select a file in the folder, then press OK or again. The selected file is played.

On the remote control

1. Press PRESET·FOLDER or repeatedly until a desired folder appears.
2. Press to play it. The first file of folder will be played

Note

- CD/USB Folders/Files are recognized as below.
- If there is no file in a folder, the folder will not appear.

- Folders will be presented as the following order; ROOT -> FOLDER 1 -> FOLDER 3 -> FOLDER 7 -> FOLDER 8 -> FOLDER 5 -> FOLDER 6
- File will be played from file No.1 to file No.14 one by one.
- Files and folders will be presented in order recorded and may be presented differently according to the record circumstances.

*ROOT: The first screen you can see when a computer recognize the CD/USB is "ROOT".

Deleting a file/folder or format

You can delete file, folder or format by pressing DELETE on the remote control. This function is supported only in stop status. (USB only)

1. Select USB function by pressing F.
2. Press DELETE on the remote control repeatedly, the display changes as followings.

DEL FILE -> DEL DIR -> FORMAT

- DEL FILE Select the file you want to delete.
- DEL DIR Select the folder you want to delete.
- FORMAT Select to format the USB device.

If you want to exit the current mode, press .

3. To delete file/folder or format, press and hold DELETE on the remote control.

Caution

- Do not extract the USB device during operation. (play, delete, etc.)
- Regular back up is recommended to prevent data loss.
- The delete function may not be supported according to the USB status. (lock, etc.)

AUTO DJ

AUTO DJ blends the end of one song into the beginning of another for seamless playback. It equalizes volume across tracks/files for uninterrupted playback.

Press AUTO DJ repeatedly, the display changes as followings.

SHUFFLE -> SEQUENTIAL -> OFF

(On Display - Description)

- SHUFFLE - The music is played randomly on this mode.
- SEQUENTIAL - The music is played repeatedly on this mode

Using BLUETOOTH® wireless technology

About Bluetooth

Bluetooth is wireless communication technology for short range connection.

The sound may be interrupted when the connection interfered by the other electronic wave or you connect the Bluetooth in the other rooms.

Connecting individual devices under Bluetooth wireless technology does not incur any charges. A mobile phone with Bluetooth wireless technology can be operated via the Cascade if the connection was made via Bluetooth wireless technology.

- Available Devices: Smart phone, MP3, Notebook, etc.
- Version: 4.0
- Codec: SBC

Bluetooth Profiles

In order to use Bluetooth wireless technology, devices must be able to interpret certain profiles.

This unit is compatible with following profile.

A2DP (Advanced Audio Distribution Profile)

Listening to music stored on the Bluetooth devices

Pairing your unit and Bluetooth device

Before you start the pairing procedure, make sure the Bluetooth feature is activated on your Bluetooth device. Refer to your Bluetooth device's user guide. Once a pairing operation is performed, it does not need to be performed again.

1. Turn on the unit.
2. Operate the Bluetooth device and perform the pairing operation. When searching for this unit with the Bluetooth device, a list of the devices found may appear in the Bluetooth device display depending on the type of Bluetooth device. Your unit appears as "LG CK57 (XX)"
3. When this unit has successfully connected with your Bluetooth device, "PAIRED" will be appear on the display window. After a short amount of time, the Bluetooth device name will be displayed.
4. Listen to music. To play a music stored on your Bluetooth device, refer to your Bluetooth device's user guide.

Note

- When using Bluetooth technology, you have to make a connection between the unit and the Bluetooth device as close as possible and keep the distance.

However, it may not work well in certain situations as described below:

- There is an obstacle between the unit and the Bluetooth device.
- There is a device using same frequency with Bluetooth technology such as a medical equipment, a microwave or a wireless LAN device.

- You should connect your Bluetooth device to this unit again when you restart it.
- Even if this unit is connected to up to 3 Bluetooth devices in the Bluetooth mode, you can play and control music by using only one of the connected devices.
- When this unit connected with multiple Bluetooth devices, only one device which you are playing keeps Bluetooth connection when you change the function to the others.
- The sound may be interrupted when the connection has interference from other electronic devices.
- You cannot control the Bluetooth device with this unit.
- Depending on the type of the device, you may not be able to use the Bluetooth function.
- You can enjoy wireless system using phone, MP3, Notebook, etc.
- The more distance between the unit and the Bluetooth device, the lower the sound quality becomes.
- Bluetooth connection will be disconnected when the unit is turned off or the Bluetooth device gets too far from the unit.
- When Bluetooth connection is disconnected, connect the Bluetooth device to the unit again.
- When a Bluetooth device is not connected, "BT READY" appears on the display window.
- When you use the Bluetooth function, adjust the volume to a proper level on the Bluetooth device.
- If it is not in Bluetooth function, only one device can be connected.
- If a Bluetooth device is connected when using LG TV, LG TV is disconnected and the Bluetooth device is connected.
- When you connect Bluetooth device (iOS device etc.) to this unit or operate the device, the volume level can be synchronized with each other

Radio Operations

Be sure that FM antenna is connected.

Listening to the radio

1. Press F until FM appears in the display window.

The last received station is tuned in.

2. Auto tuning:

Press and hold TUNING-/+ on the remote control or on the unit until the frequency indication starts to change, then release. Scanning stops when the unit tunes in a station.

Or

Manual tuning:

Press TUNING-/+ on the remote control or on the unit repeatedly.

3. Adjust the volume by pressing VOL +/- on the remote control or rotating MASTER VOLUME knob on the unit repeatedly.

Improving poor FM reception

Press . This will change the tuner from stereo to mono and usually improve the reception.

Presetting the Radio Stations

You can preset 50 stations for FM.

Before tuning, make sure to turn down the volume.

1. Press F until FM appears in the display window.
2. Select the desired frequency by pressing TUNING -/+ on the remote control or on the unit.
3. Press JUKEBOX/MEMORY on the remote control. A preset number will blink in the display window.
4. Press PRESET·FOLDER on the remote control to select the preset number you want.
5. Press JUKEBOX/MEMORY on the remote control. The station is stored.
6. Repeat steps 2 to 5 to store other stations.
7. To listen a preset station, press PRESET·FOLDER or 0 to 9 numerical buttons on the remote control.

Deleting all the saved stations

1. Press DELETE on the remote control. "DEL ALL" will flash up on the unit display.
2. Press DELETE on the remote control to erase all the saved radio stations. "DELETED ALL" will flash up on the unit display.

Sound adjustment

Setting the sound mode

This system has a number of pre-set equalizers. The displayed items for the equalizer may be different depending on sound sources and effects. You can select a desired sound mode by using EQUALIZER on the remote control

You can select a desired sound mode by using SPECIAL EQ on the remote control or SPECIAL EQ / BASS BLAST (or BASS BLAST+) on the unit

Advanced Operations

Recording to USB

You can record a various sound source to USB. (CD, USB 1, AUX 1, AUX 2, FM)

1. Connect the USB device to the unit.
2. Select a function by pressing F.
3. Start the recording by pressing USB REC on the remote control or USB REC/ DEMO on the unit

Function	Status	Result
CD, USB	Play/Pause	Recorded until stop
	Resume stop (Page 30)	Quick recorded the latest song
	Full stop	Quick recorded All songs In case below, scope is limited. - After File search (Page 18), quick recorded an indexed song - Only while the Folder name is displayed on the display window, quick recording All songs on Folder. (Folder Search Mode is released when there is no button input for a few seconds after entering the folder search mode.) (Page 18) - After JUKE BOX On (Page 29), quick recorded All songs of JUKE BOX
AUX, PORTABLE, FM	-	Recorded until stop

- If you connect both USB1 and USB2, press USB REC on the remote control or USB REC / DEMO on the unit when USB1 or USB2 which you want to record blinks in the display window.

To stop recording

To stop recording, press and hold USB REC on the remote control or USB REC / DEMO on the unit for 3 seconds. Otherwise, the recording continues.

Pausing recording

During CD/USB playback or pause, or external sound source recording, press USB REC on the remote control or USB REC / DEMO on the unit to pause recording. Press it again to restart recording.

To select recording bit rate and speed

1. Press and hold USB REC on the remote control or USB REC / DEMO on the unit for 3 seconds.
2. Press to select a bit rate.
3. Press USB REC on the remote control or USB REC/ DEMO on the unit again to select the recording speed.

Note

- When you stop recording, the file that has been recorded at that time will be stored. (Except when recording MP3/ WMA files that are in stop status.)
- Do not remove the USB device or turn off the unit during USB recording. If does not, an incomplete file may be made and not deleted on PC.
- If USB recording does not work, the message like “NO USB”, “ERROR”, “USB FULL”, “NOT SUPPORT” or “FILE MAX” is displayed on the display window.
- Multi card reader device or external HDD can not be used for USB recording.
- A file is recorded by about 512 Mbyte when you record for a long term.
- You may not store more than 2,000 files.
- You can not record in AUTO DJ mode.
- In case of the unsupported MP3/WMA file, the file recording may be stopped.
- It'll be stored as follows.

* AUX and the like.

Tuner: The current recording frequency is shown

JUKE BOX Playback

The program function enables you to store your favorite files from any disc or USB device.

A program can contain 20 tracks/files for each media (CD, USB 1,USB 2). Possible to save a total of 60 tracks/files.

Making JUKE BOX list

1. Press and hold JUKEBOX / MEMORY on the remote control to enter the edit mode. (Playing will be stopped when you press JUKEBOX / MEMORY on the remote control.)
2. Select a track/file by pressing on the remote control.
3. Press and hold JUKEBOX / MEMORY on the remote control to save the track/file.
4. Repeat steps 2 - 3 to store other tracks/files.

(You can modify the list by pressing PRESET·FOLDER on the remote control to select the JUKE BOX program number.)

5. Press JUKEBOX / MEMORY on the remote control once again.

To play the JUKE BOX list, press on the remote control after you make the list.

Deleting JUKE BOX list

Deleting function works in the edit mode.

1. Press and hold JUKEBOX / MEMORY on the remote control to enter the edit mode.

Or

Press DELETE on the remote control while JUKE BOX is played to enter the edit mode.

2. Select a song by pressing PRESET·FOLDER on the remote control repeatedly.
3. Press DELETE on the remote control while a song is selected.

Other Operations

Turn off the sound temporarily

Press on the remote control to mute your sound.

You can mute your unit, for example, to answer the telephone, the "MUTE" will appear in the display window.

To cancel it, press on the remote control again or change the volume level.

CHILDSAFE Mode

This function helps to prevent you from being surprised when you turn on the unit in case that the volume of the unit is set at a high level.

To turn on CHILDSAFE mode, press and hold OK on the unit when the volume of the unit is "MIN". In CHILDSAFE mode, the volume increase gradually.

To turn off CHILDSAFE mode, press and hold OK on the unit when the volume of the unit is "MIN" and this mode is turned on.

DEMO

In the power off state, press DEMO on the unit once. The unit will power on and display the each of functions in the display window.

To cancel the DEMO function, press DEMO on the unit once more.

Resume stop

The unit records the point where you pressed depending on the disc or USB. If you press twice, the unit will clear the stopped point

Using Microphone

1. Connect your microphone to the MIC jack.
2. Play the music you want.
3. Sing along with the accompaniment. Adjust the microphone volume by pressing MIC VOL and rotating MASTER VOL. / MULTI on the unit in a clockwise or counterclockwise.

VOICE CANCELLER Y

You can reduce the vocal tones during music playback from various input sources.

Press VOICE CANCELLER and "ON - VOICE CANCELLER" will appear in display window. To cancel it, press VOICE CANCELLER again. The quality of the VOICE CANCELLER may be different depending on the recording conditions of music files.

KEY CHANGER

You can adjust the key to 9 steps (4 steps higher, 4 steps lower and the original key).

- To sharp the key one by one, press KEY CHANGER(#) repeatedly during playback.
- To flatten the key one by one, press KEY CHANGER(b) repeatedly during playback.

VOCAL EFFECTS

When you connect your microphone to the MIC jack, you can enjoy karaoke function by changing voice in the various source.

To select various mode, pressing VOCAL EFFECTS repeatedly or pressing VOCAL EFFECTS and then turning MASTER VOL. / MULTI on the unit when vocal effects mode appears in the display window.

BASS -> SOPRANO -> HELIUM -> ROBOT -> DUET MAN -> DUET WOMAN-> BASS ECHO1 -> SOPRANO ECHO1 -> HELIUM ECHO1-> ROBOT ECHO1-> DUET MAN1-> DUET WOMAN1 -> BASS ECHO2 -> SOPRANO ECHO2 -> HELIUM ECHO2 -> ROBOT ECHO2 -> DUET MAN2 -> DUET WOMAN2 -> OFF

ECHO

When you connect your microphone to the MIC jack, you can give an echo effect to the sound from the microphones by pressing MIC ECHO.

ECHO 1 -> ECHO 2 -> ECHO OFF

LIGHTING

This function offers a party atmosphere by operating speaker lighting and beat of music.

To select mode, pressing LIGHTING on the unit repeatedly or pressing LIGHTING on the unit and then turning EQUALIZER / SEARCH on the unit.

OFF->PARTY ->PEACEFUL ->ROMANTIC-> COOL-> UPBEAT-> FIERY ->EXCITED ->DYNAMIC-> HEALING ->SUNNY-> OFF ...

Sleep Timer Setting

Press SLEEP on the remote control repeatedly to select delay time between 10 and 180 minutes. After the delay time, the unit will be turned off. To cancel the sleep function, press SLEEP on the remote control repeatedly until "OFF" appears.

Dimmer

Press SLEEP on the remote control once. The display window will be darkened by half. To cancel it, press SLEEP on the remote control repeatedly until dim off

Auto power down

This unit will turn itself off to save electricity in the case were the main unit is not connected to an external device and is not used for 15 minutes. The unit will also turns itself off after six hours if the main unit has been connected to another device using the analog inputs.

AUTO POWER On

This unit automatically turns on by an input source: Bluetooth or LG TV.

When you turn on your TV connected to this unit, this unit recognizes the input signal and selects the suitable function. You can hear the sound from the unit.

If you try to connect your Bluetooth device, this unit turns on and connects your Bluetooth device. You can play your music

When you turn off this unit by pressing on the unit for 5 seconds each time, you can turn on or off the AUTO POWER function.

- **ON-AUTO POWER** AUTO POWER function is turned on.
- **OFF-AUTO POWER** AUTO POWER function is turned off

Auto function change

This unit recognizes input signals such as BT (Bluetooth) and LG TV and then automatically changes to the suitable function.

When you try to connect Bluetooth device

When you try to connect your Bluetooth device to this unit, Bluetooth function is selected. Play your music on the Bluetooth device.

When 3.5 mm stereo cable is connected

When you connect the portable device to the PORTABLE IN connector, PORTABLE function is selected. Play your music on the portable device.

When LG TV is connected

When you turn on your LG TV connected by LG Sound Sync, this unit changes the function to LG TV. You can hear the sound from your TV.

Setting the Clock

1. Turn the unit on.
2. Press and hold CLOCK on the remote control.
3. Select time mode by pressing on the remote control.
 - AM 12:00 (for an AM and PM display) or 0:00 (for a 24 hour display)

4. Press SET on the remote control to confirm your selection.
5. Select the hours by pressing on the remote control.
6. Press SET on the remote control.
7. Select the minutes by pressing on the remote control.
8. Press SET on the remote control.

Using your player as an alarm clock

1. Turn the unit on.
2. Press and hold ALARM on the remote control.
3. Press on the remote control to change the hours and minutes and press SET on the remote control to save.
4. Press on the remote control to select function and press SET on the remote control to save.
 - Press on the remote control to select a preset number when you select tuner and then, press SET on the remote control. If there is no preset number, this step is skipped.
5. Press on the remote control to change the volume and press SET on the remote control to save.

LG Sound Sync

You can control some functions of this unit by your TV's remote control with LG Sound Sync. It is compatible with LG TV that supports LG Sound Sync. Make sure your TV has the LG Sound Sync logo. Controllable function by LG TV's remote control: Volume up/down, mute.

Refer to the TV's instruction manual for the details of LG Sound Sync.

1. Turn on the unit by pressing .
2. Press F until LG TV function is selected.
3. Set up the sound output of TV to listen to the sound through this unit:

TV setting menu [Sound] -> [TV Sound output] -> [LG Sound Sync (Wireless)]

"PAIRED" appears on the display window for about 3 seconds and then you can see "LG TV" on the display window if the TV and this unit are connected normally.

Troubleshooting

General

The unit does not work properly

- Turn off the power of this unit and the connected external device (TV, Woofer, DVD-player, Amplifier, etc.) and turn them on again.

- Disconnect the power cord of this unit and the connected external device (TV, Woofer, DVD-player, Amplifier, etc.) and then try connecting again.
- Previous setting may not be saved when device power is shut off.

No Power

- The power cord is not plugged in. Plug in the power cord.
- Check whether electricity failed. Check the condition by operating other electronic devices using the same AC outlet.

No sound

- Check whether you select right function. Press function button and check if you have selected the right function.
- Check to see if the speakers are connected correctly. Speaker cables connected correctly.

The unit does not start playback

- An unplayable disc is inserted. Check the playable disc.
- No disc is inserted. Insert a disc.
- The disc is dirty. Clean the disc.
- The disc is inserted upside down. Place the disc with the label or printed side facing upwards.

Radio stations cannot be tuned in properly

- The antenna is positioned or connected poorly. Connect the antenna securely.
- The signal strength of the radio station is too weak. Tune to the station manually.
- No stations have been preset or preset stations have been cleared (when tuning by scanning preset channels). Preset some radio stations .

The remote control does not work properly

- The remote control is too far from the unit. Operate the remote control within about 7 m.
- There is an obstacle in the path of the remote control and the unit. Remove the obstacle.
- The batteries in the remote control are exhausted. Replace the batteries with new ones.

LG Sound Sync does not work

- Check whether your LG TV supports LG Sound Sync.
- Check connection of LG Sound Sync.
- Check sound setting of your TV and this unit.

Warning

This content is compiled from multiple sources and is provided for reference purposes only. It may not be complete or fully applicable to all situations. If you are unable to resolve your issue, please contact the product manufacturer or an authorized service provider for official support.

Document generated by [ManualsFile](#)

