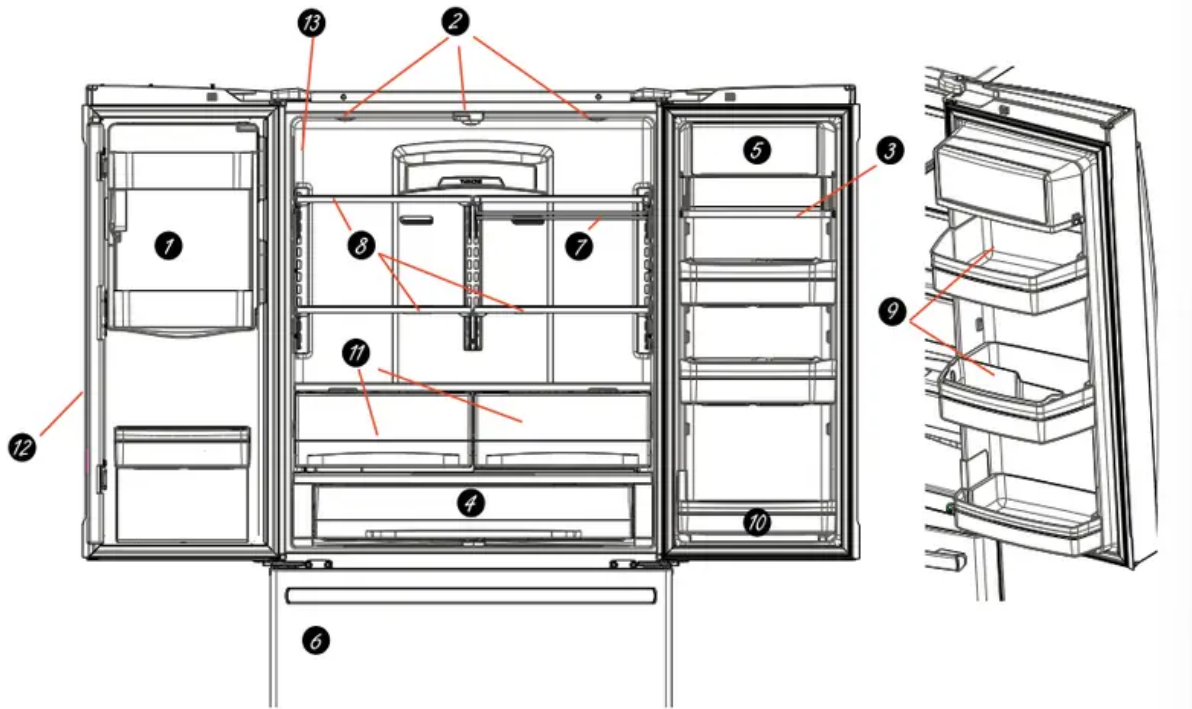


## Operating Instructions

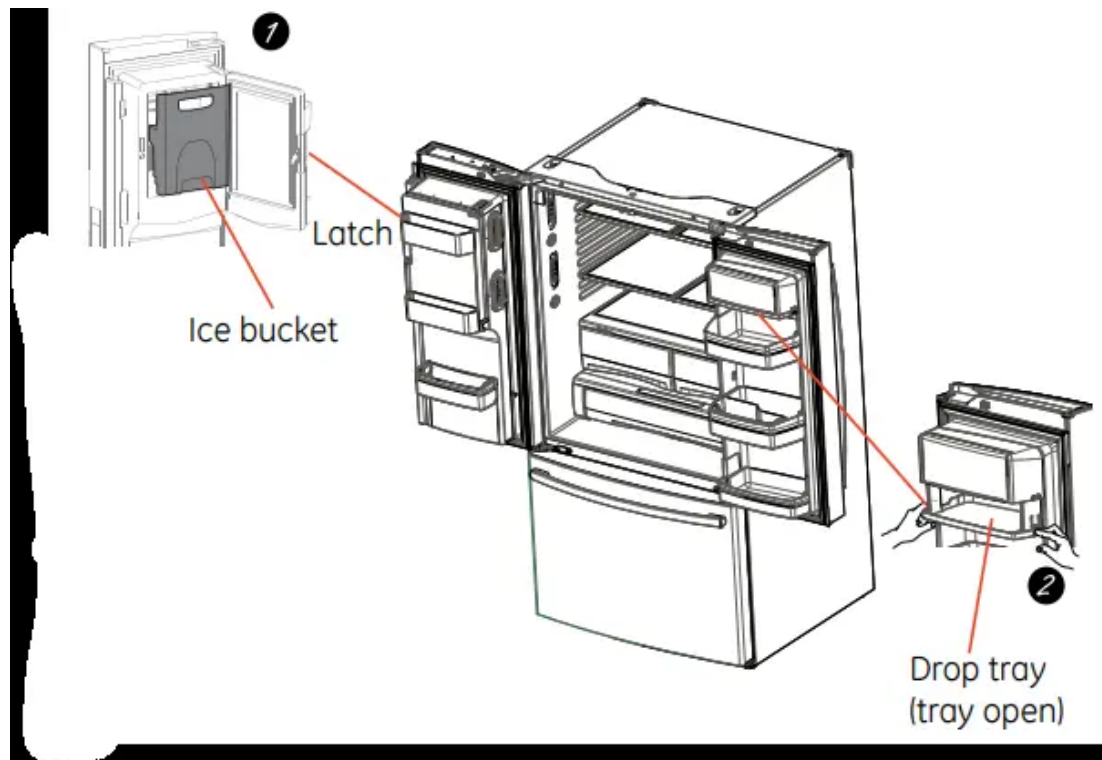
### About the features



1. Space-saving icemaker  
Icemaker and bin are located on the door creating more usable storage space.
2. Showcase LED lighting  
LED lighting is positioned throughout the interior to spotlight areas in the refrigerator. LEDs are located under the fresh food door to light the freezer when opened.
3. Drop-down tray (on some models)  
Allows for extra door storage when you need it and tucks away when you don't.
4. Full-width temperature controlled drawer (on some models)  
Adjustable temperature control bin that can accommodate larger items.
5. Dairy bin  
Separate compartment for your items.
6. Dual icemaker/utility bin (on some models)  
An icemaker in both compartments gives you more ice whenever you need or utility bin designed for flexible storage.
7. QuickSpace shelf  
Functions as a normal full-sized shelf when needed and easily slides back to store tall items below.

8. Spillproof shelves  
Designed to capture your spills for easier clean up.
  9. Removable condiment bin  
Separate bin designed for easy removal and storage.
  10. Removable door bin  
Can be removed for those with a wall limiting the door opening.
  11. Climate zone bin  
Separate bins for produce storage.
  12. In-the-door filter (select models)  
Located in the door for more available space in the fresh-food section and easy replacement.
  13. Water filter (select models)  
Filters water & Ice
1. **Door ice bin**
    1. Open left fresh food door.
    2. Pull down latch to release bin door.
    3. Using handhold lift ice bucket up and out to clear locators in bottom of bin.
    4. To replace the ice bucket. set it on the guide brackets and push until the ice bucket seats properly.
    5. If bucket cannot be replaced. rotate the Ice Bucket Fork 1/4 turn clockwise.
  2. **Drop down dairy bin**
    1. Open right fresh food
    2. Depress both buttons on lower sides and bin will drop down.

3. Reverse to reinstall.



### 3. Door ice/water filter

#### Remove filter/bypass plug

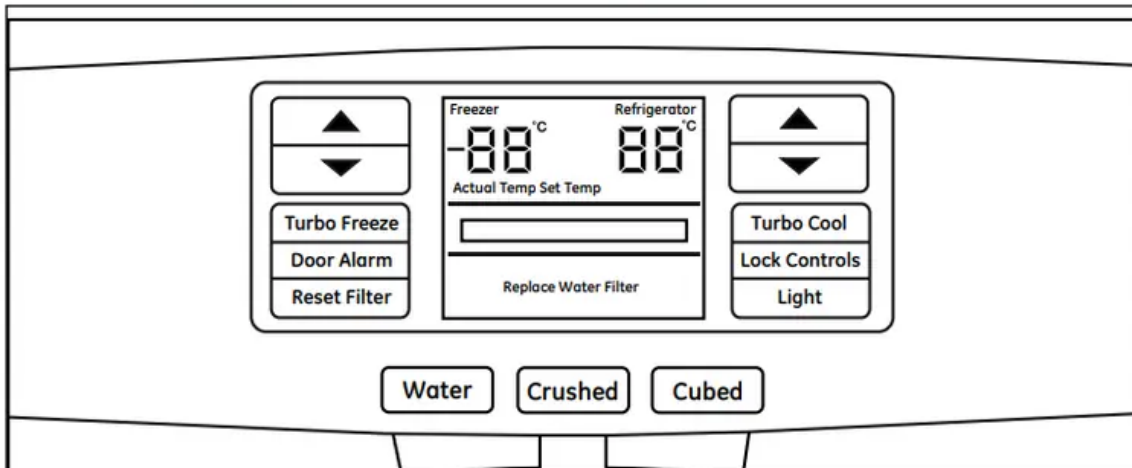
1. Push the indent on the cover and open filter door. Pull up on filter/bypass plug and pull straight out to remove.

#### Installing the filter cartridge

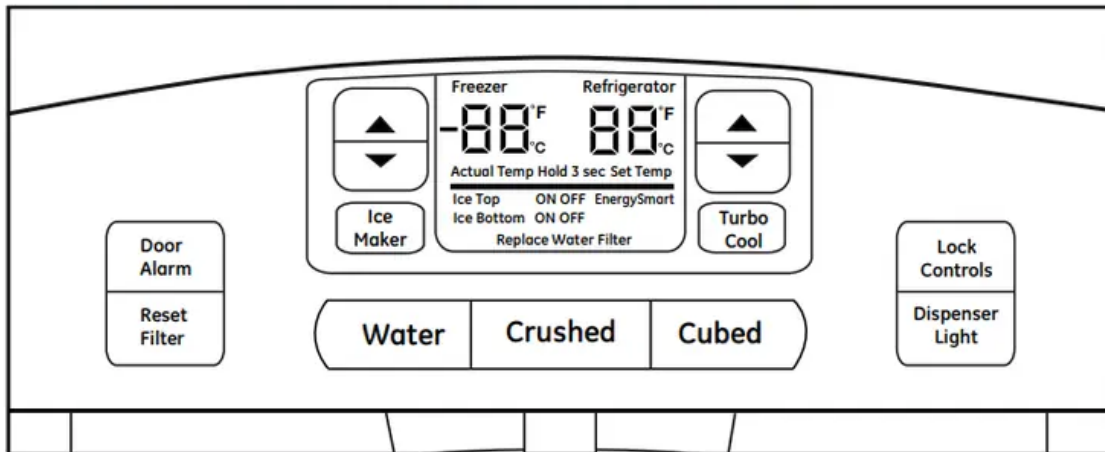
1. Push the indent at the bottom of the cover and open. Lift door and align tabs on filter



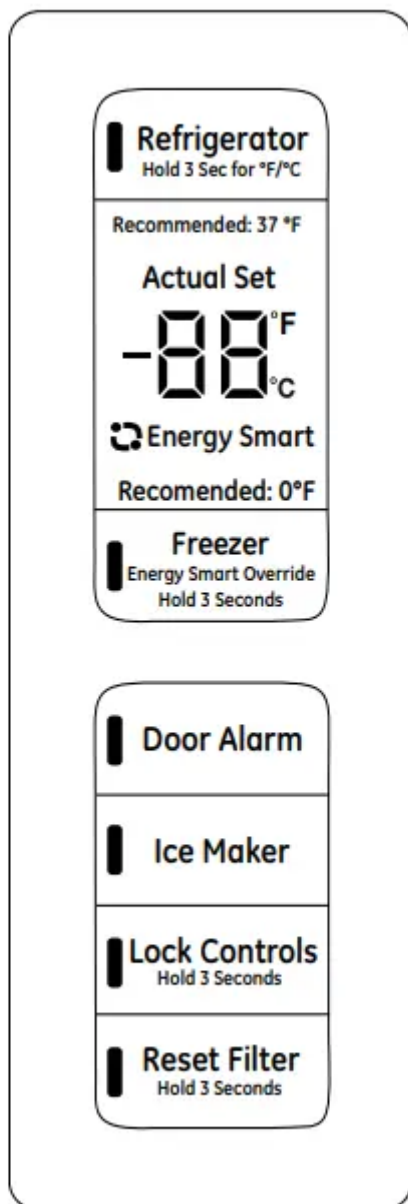
**PFE27** Control Style B, LCD External Control



**GFE29/27 DFE29** Control Style C, External Control



GNE26 Control Style D, Internal Control (on some models)



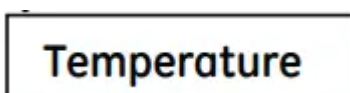
**NOTE:** The refrigerator is shipped with protective film covering the temperature controls. If this film was not removed during installation, remove it now.

The temperature controls are preset in the factory at 37°F for the refrigerator compartment and 0°F for the freezer compartment. Allow 24 hours for the temperature to stabilize to the preset recommended settings.

The temperature controls can display both the SET temperature as well as the actual temperature in the refrigerator and freezer. The actual temperature may vary slightly from the SET temperature based on usage and operating environment.

### Changing the Temperature for Control Style A

Access By: Temperature Button



**Activate By:** Below the word “Refrigerator”. use the arrows to select the desired temperature. Press DONE when finished to return to HOME screen.

**To Change the Freezer Temperature:**



**Access By:** Temperature Button

**Activate By:** Below the word “Freezer”. use the arrows to select the desired temperature. Press DONE when finished to return to HOME screen.

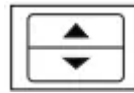
To turn OFF cooling system. access SETTINGS from the HOME screen. Page over and tap COOLING SYSTEM ON. Press DONE to return to HOME screen.

To turn ON cooling system. access SETTINGS from the HOME screen. Page over and tap COOLING SYSTEM OFF. Press DONE to return to HOME screen.

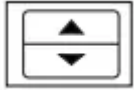
Turning the cooling system off stops the cooling to. refrigerator. but it does not shut off the electrical power.

**Changing the Temperature for Control Style B**




To change the temperature. press and release the  pad. The ACTUAL TEMP light will come on and the display will show the actual temperature. To change the temperature, tap either




the  BS temperature is displayed, pad until the desired




To turn OFF cooling system. press and hold the Freezer  pads simultaneously for 3 seconds. When the cooling system is OFF the display should read 0 FF.



To turn ON cooling system. press either  pad. The display will show ON and then the actual temperature for the refrigerator and the freezer. Turning the cooling system OFF stops the cooling to the refrigerator. but it does not shut OFF the electrical power.

**Changing the Temperature for Control Style C**



To change the temperature. press and release the  pad. The ACTUAL TEMP light will come on and the display will show the actual temperature. To change the temperature tap either



the  pad until the desired temperature is displayed.





To turn OFF cooling system. press and hold the Freezer pads simultaneously for 3 seconds. When the cooling system is OFF the display should read OFF.



To turn ON cooling system. press either ] pad. The display will show the preset temperature settings of 37°F for refrigerator and 0°F for freezer. Turning the cooling system off stops the cooling to refrigerator. but it does not shut off the electrical power.

### **Changing Temp. for Control Style D**

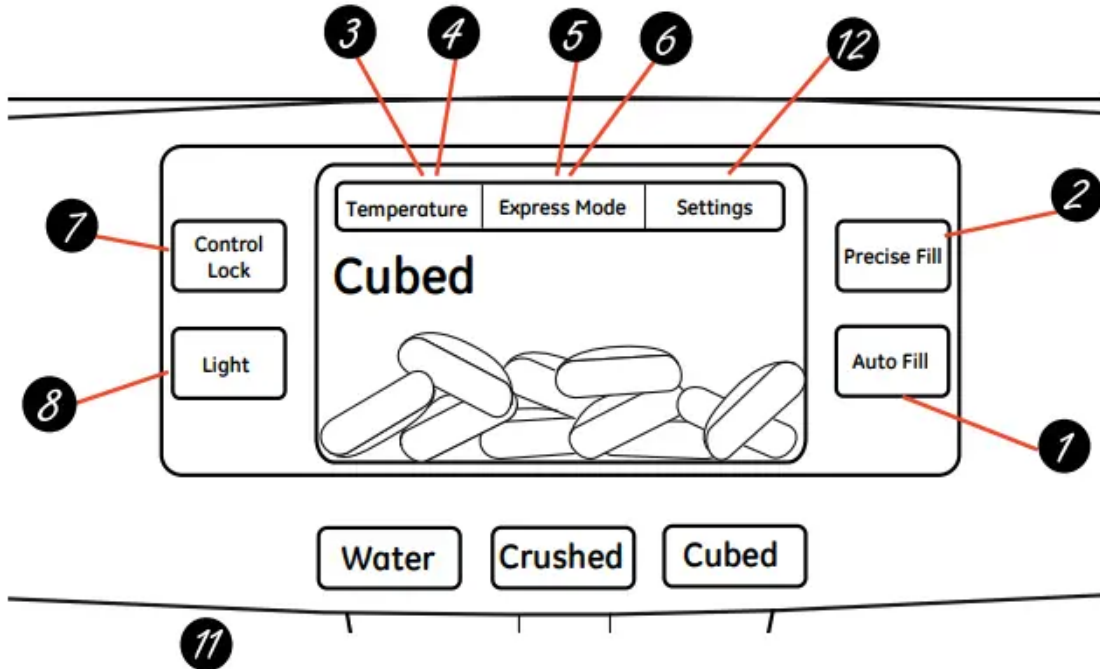
Temperature Display is located on inside of left-hand refrigerator door. To change the temperature. press and release the REFRIGERATOR or FREEZER pad. The ACTUAL TEMP light will come on and the display will show the actual temperature. To change the temperature. tap either the REFRIGERATOR or FREEZER pad until the desired temperature is displayed.

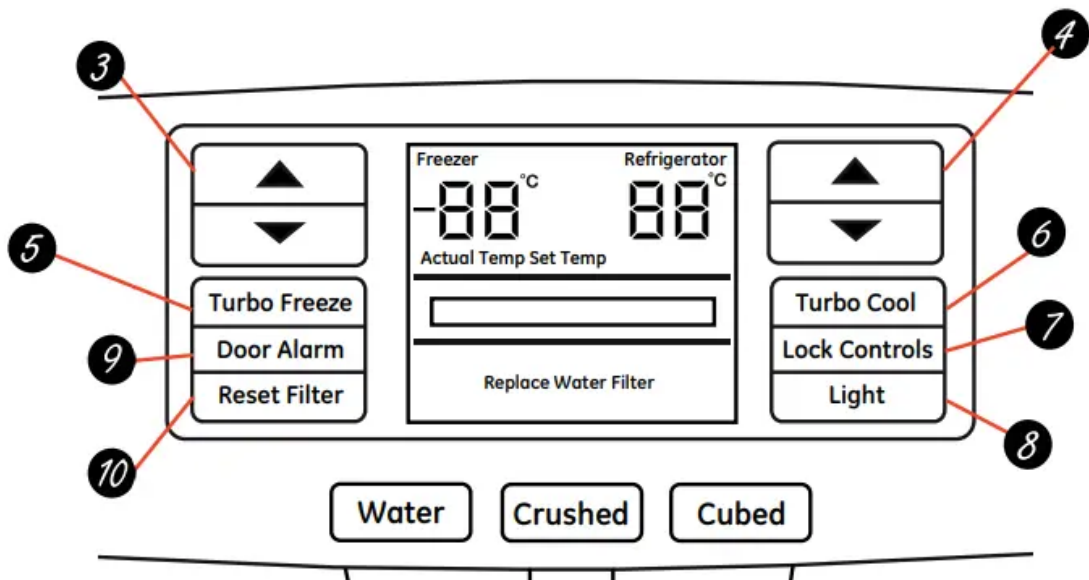
To turn OFF cooling system. press and hold the REFRIGERATOR and FREEZER pads simultaneously for 3 seconds. When the cooling system is OFF the display should read OFF.

To turn ON cooling system. press either REFRIGERATOR or FREEZER pad. The display will show the preset temperature settings of 37°F for refrigerator and 0°F for freezer. Turning the cooling system off stops the cooling to refrigerator. but it does not shut off the electrical power.

About the controls - features ( on some models)

# Control Style A, External Controls PFE29





### 1. Hands-free

Autofill Hands-free Autofill uses sensors to monitor container height to automatically dispense filtered water without having to activate the paddle.

### 2. PreciseFill setting

Precisely dispenses filtered water in accurate measurements in ounces, cups, quarts, or liters using paddle.

### 3. Refrigerator temp control

Adjust freezer compartment temperature.

### 4. Fresh food temp control

Adjust fresh food compartment temperature.

### 5. TurboFreeze setting

Activate TurboFreeze to quickly restore freezer temperatures after frequent door openings.

### 6. Turbocool setting

Activate TurboCool to quickly restore fresh food temperature after frequent door openings.

### 7. Lock controls

Press and hold 3 seconds to lock out ice and water dispenser and all feature and temperature buttons.

### 8. LED dispenser light

LED lighting that can be turned on/off to light your dispenser.

## 9. Alarm

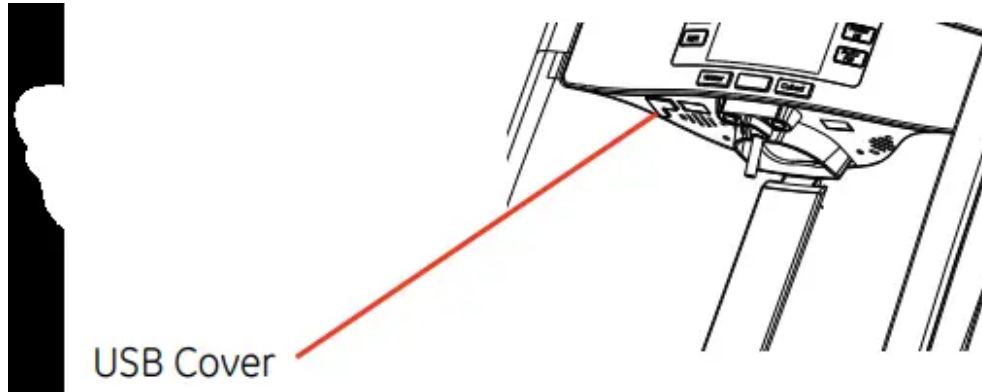
Sounds to alert when the freezer or fresh food doors have been left open.

## 10. Reset filter

Press and hold for 3 seconds after replacing the filter.

## 11. Photo upload

Insert USB memory stick to upload personal photos to the refrigerator LCD screen. LCD will provide on screen prompts to load and view slideshow.



## 12. Additional settings:

- + Connected Home ready
- + Sideshow
- + Reset filter
- + Ice maker on/off
- + Door alarm
- + Sound control
- + Cooling system On/Off
- + Metric/English units

### Additional Modes

#### • Sabbath Mode

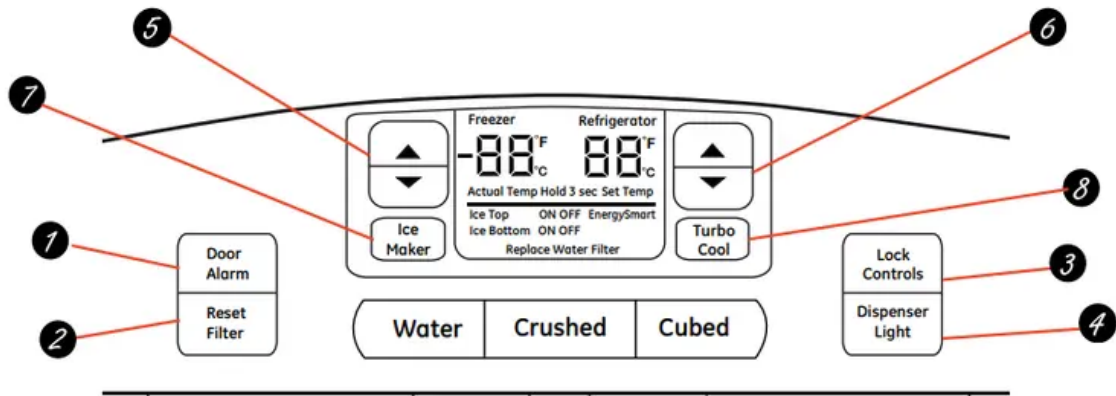
Press and hold lock & light simultaneously for 3 seconds to enter/exit Sabbath mode.

Activate Sabbath Mode to turn off interior lights, temperature control and advanced features.

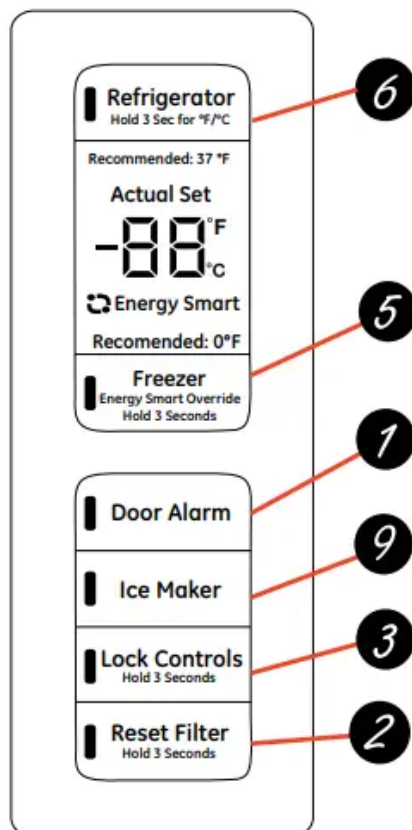
Compressor will run on a timed defrost when in Sabbath mode.

## Control Style C, External Controls

GFE27/GFE29  
DFE27/DFE29



## Controls Style D, Internal Controls GNE26

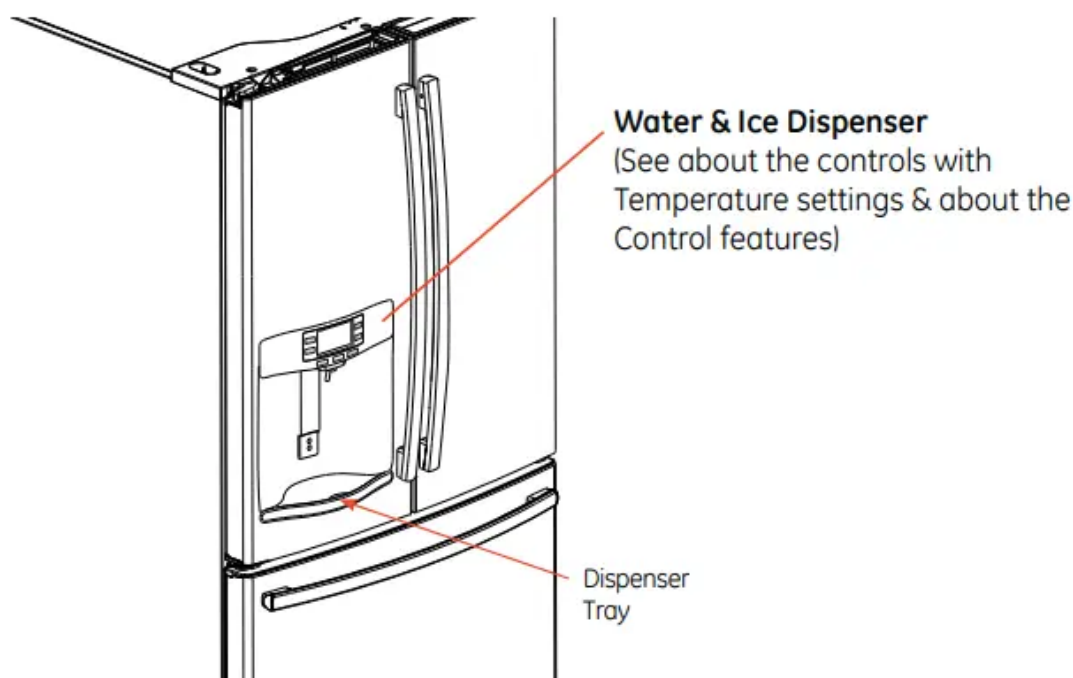


### 1. Alarm

Sounds to alert when the freezer or fresh food doors have been left open

2. Reset Filter  
Hold for 3 seconds after replacing filter.
3. Lock controls  
Press and hold 3 seconds to lock outside and water dispenser and all feature and temperature buttons.
4. LED dispenser light  
LED lighting that can be turned on/off to light your dispenser.
5. Freezer temp control  
Adjust freezer compartment temperature
6. Refrigerator temp control  
Adjust fresh food compartment temperature
7. Dual Ice maker control( select models)  
Turn your ice makers on/off.
8. TurboCool setting  
Activate TurboCool! to quickly restore refrigerator temperature after frequent door openings.
9. Ice maker setting  
Turn your ice makers on/off.

## About the dispenser



If no water is dispensed when the refrigerator is first installed, there may be air in the water line system. Press the dispenser paddle for at least two minutes to remove trapped air from the water

line and to fill the water system. To flush out impurities in the waterline, throw away the first six full glasses of water.

**CAUTION:** Never put fingers or any other objects into the ice crusher discharge opening.

### **To remove Dispenser Tray**

- Pull Dispenser Tray out until it stops.
- Locate tab in the center on the bottom and push in.
- Pull Dispenser Tray assembly out.
- Lift metal Dispenser Tray out at center notch to clean.

### **To reinstall Dispenser Tray**

- Place the Dispenser Tray cover on top of catch tray and position under the two plastic retainers on either side.
- Center Dispenser tray, and align with center guides.
- Push in until it firmly in place.

### **Important Facts About Your Dispenser**

- Do not add ice from trays or bags to the door icemaker bucket. It may not crush or dispense.
- Avoid overfilling glass with ice and use of narrow glasses.  
Backed-up ice can jam the chute or cause the door in the chute to freeze shut. Ice is blocking the chute, remove the ice bucket, poke it through with a wooden spoon.
- Beverages and foods should not be quick-chilled in the door icemaker bin, bottles or food packages in the storage drawer may cause the icemaker or auger to jar.
- To keep dispensed ice from missing the glass, put the glass close to, but not touching, the dispenser opening.
- Some crushed ice may be dispensed even though you selected CUBED ICE. This happens occasionally when a few cubes accidentally get directed to the crusher.
- After crushed ice is dispensed, some water may drip from the chute.
- Sometimes a small mound of snow will form on the door in the ice chute. This condition is normal and usually occurs when you have dispensed crushed ice repeatedly. The snow will eventually evaporate.

## **About autofill**

### **To Use HANDS FREE AUTO FILL:**

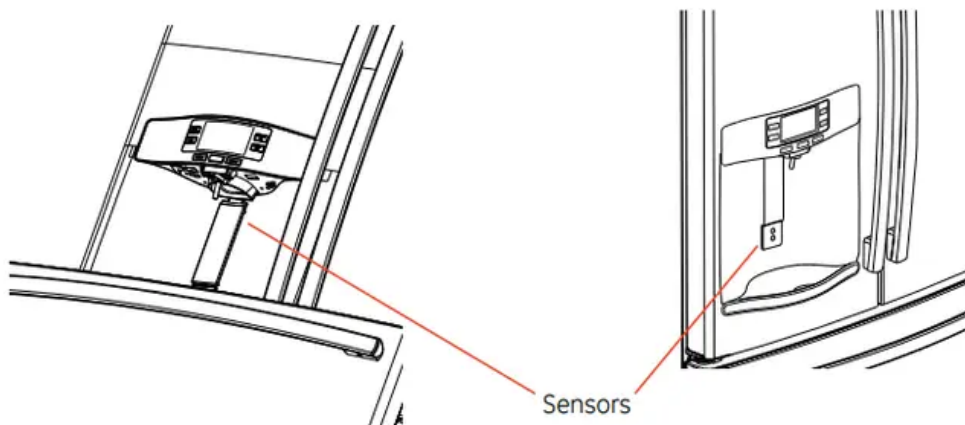
- Center container on Recess Dispenser Tray (not touching bottom sensors) and remove hand from container
- Press AUTO FILL

## To Stop AUTO FILL

- Press CANCEL. to resume filling press AUTO FILL.

## Important Facts about AUTO FILL

- For optimum results. use a uniform container between 4-8" tall and 2-6" wide. Container should be as tall as the bottom sensors.
- Container shape. fill level and functionality may vary on containers taller than 8".
- Container volumes may vary. if error message "Container Not Found" is given. try a different container.
- AUTO FILL will time out.
- Handles and garnishes on the rim of the container may cause overfilling or variation in fill volumes.
- Splashing may occur depending on the location of the container. water flow rate. container shape. and ice cubes.
- Keep sensors clean with a clean damp cloth. and do not spray liquid or cleaners directly on sensors
- AUTO FILL works best with household water pressure of 60 to 100 psi.



## About the GE® RPWF water filter cartridge

### Water Filter Cartridge

The water filter cartridge is located in one of the following places:

Bottom freezer (BF refrigerators):

- In the left-hand fresh food door recessed in the door flange
- In the fresh food interior on the left side wall, near the top.

Side-by-side [SxS] refrigerators:

- In the bottom of the fresh food compartment. Access the filter using the flip cover without moving the vegetable pan.

**Note:** May have to move the pan to access in counter-depth models)

### **When to replace the filter cartridge**

The filter cartridge should be replaced every six months or earlier if the flow of water to the dispenser or icemaker decreases.

**Touch Screen Models:** filter status message will appear on the screen when the water filter needs to be replaced. The filter status message must be reset manually.

The “Water Filter Replace” status message can be reset by entering the Settings menu from the home screen. Then, select the Water Filter menu and press the RESET button. This will reset the filter status.

**Non-touch Screen Models:** filter indicator message will illuminate in the screen when the water filter needs to be replaced. This light must be reset by pressing and holding the Reset Filter button for three seconds.

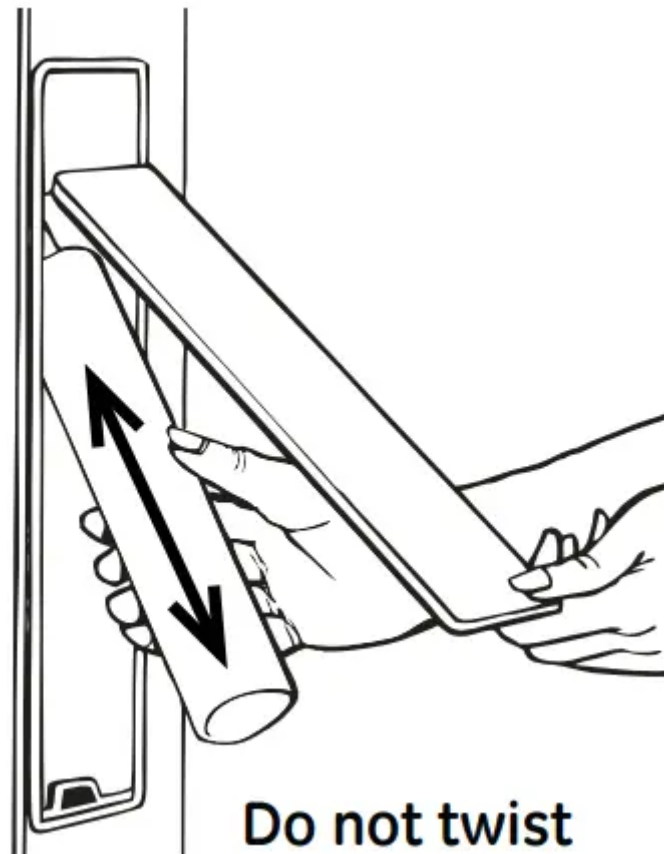
The filter cartridge has an expected life of six months and should be replaced when indicated by the filter indicator on the refrigerator, or sooner if significant reduction in flow occurs.

### **Removing the filter cartridge**

To replace the filter, first remove the old cartridge by gently lifting the filter away from housing until it first releases, then lift again to remove.

DO NOT TWIST. A small amount of water may drip out.

### **Installing the Filter Cartridge**



1. Align top of filter with cartridge holder and push until cartridge is fully seated
2. While continuing to ensure cartridges fully seated in the holder, gently rotate the filter (inward for BF models or downward for SxS models) until it can no longer rotate. If rotation is difficult, check to ensure filter is properly aligned and fully seated within the holder.
3. Run water from the dispenser (approx. 2 gallons or about 5 minutes) to clear any particles, and remove air from the system.
4. Reset Fitter Status.

**Touch Screen Models:** Access RESET button through the Water Filter menu.

**Non-touch Screen Models:** Press and hold the Reset Filter button for three seconds.

**Note:** A newly installed water filter cartridge may cause water to spurt from the dispenser during the first 5 minutes of operation. Use a large pitcher or sports bottle to catch the water spray.

**Note:** It is normal for water to appear discolored during the initial system flush. Water color will return to normal after the first few minutes of dispensing.

## Filter Bypass Plug

To reduce the risk of property damage due to water leakage, you **MUST** use the filter bypass plug when a replacement filter cartridge is not available. The dispenser and icemaker will not operate without either the filter or bypass plug installed. The bypass plug is installed in the same way as a filter cartridge.

## Warning

To reduce the risk associated with choking, do not allow children under 3 years of age to have access to small parts during the installation of this product. The disposable filter cartridge should be replaced every 6 months at the rated capacity, or sooner if a noticeable reduction in flow rate occurs.

For the maximum benefit of your filtration system, GE recommends the use of GE-branded filters only. Using GE-branded filters in GE and Hotpoint refrigerators provides optimal performance and reliability. GE filters meet rigorous industry NSF standards for safety and quality that are important for products that are filtering your water. GE has not qualified non-GE-branded filters for use in GE and Hotpoint refrigerators and there is no assurance that non-GE-branded filters meet GE's standards for quality, performance and reliability.

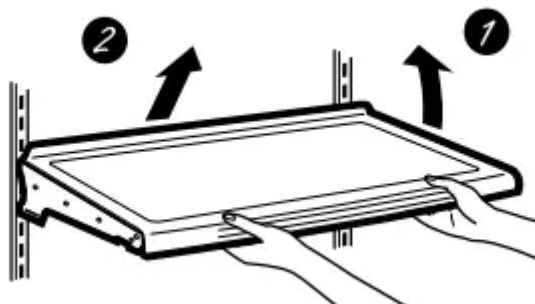
## About the fresh food storage options

### Rearranging the Shelves

Shelves in the refrigerator compartment are adjustable.

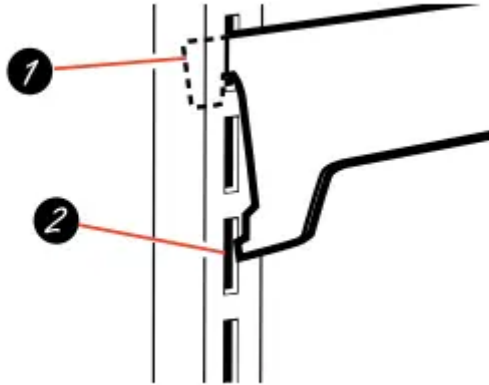
#### To remove:

1. Remove the clips from the shelf.
2. Tilt the shelf up at the front.
3. Lift the shelf up at the back and bring the shelf out.



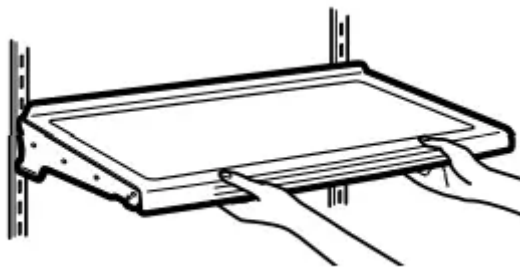
**To replace:**

1. Tilt the shelf up. Insert the top hook at the back of the shelf in a slot on the track.
2. Lower the front of the shelf until the bottom of the shelf locks into place.



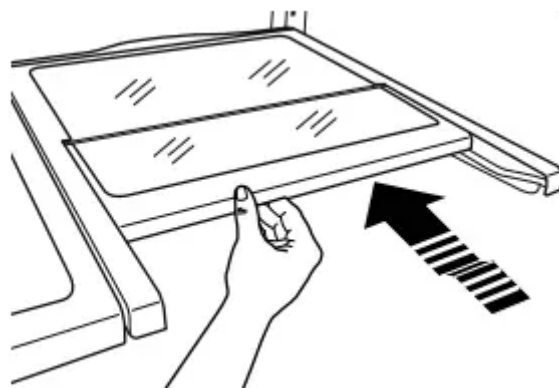
**Spillproof Shelves**

Spillproof shelves have special edges to help prevent spills from dripping to lower shelves.



**Quick Space Shelf**

This shelf splits in half and slides under itself for storage of tall items on the shelf below.

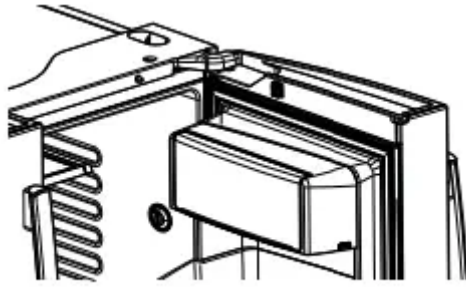


This shelf can be removed and replaced or relocated (just like spillproof shelves)

**NOTE:** The location of the upper Quick Space Shelf is not adjustable.

**Non-Adjustable Dairy Bin**



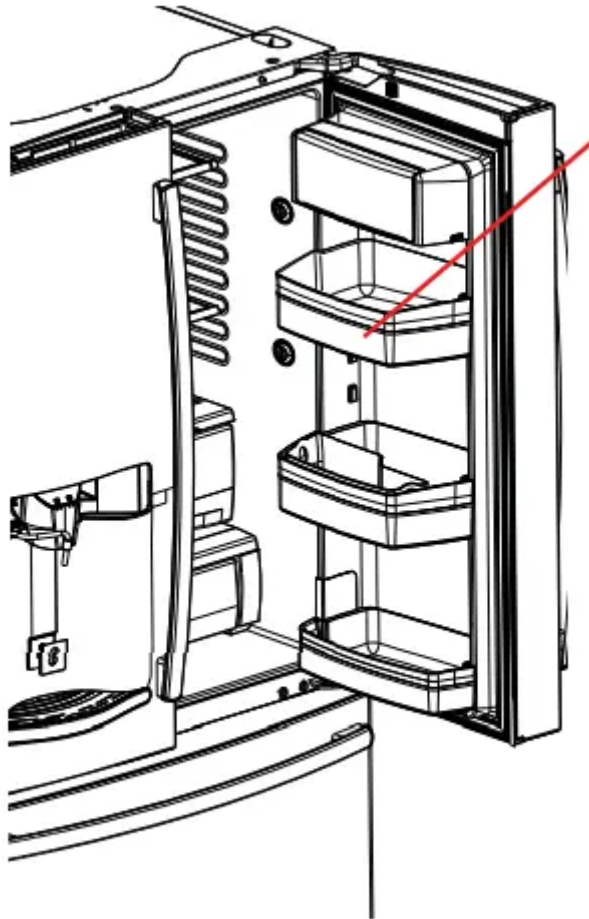


**To remove:** Lift the dairy bin straight up, then pull out.

**To replace:** Engage the bin in the molded door supports and push down. The bin will lock in place.

### **Adjustable Bins on the Door**

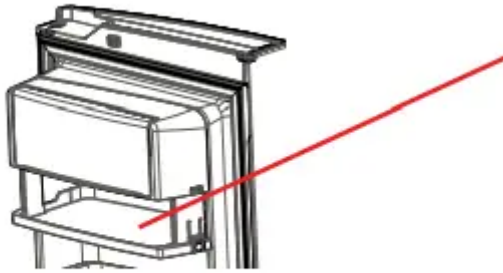
Adjustable bins can easily be carried from refrigerator to work area.



**To remove:** Lift bin straight up, then pull out.

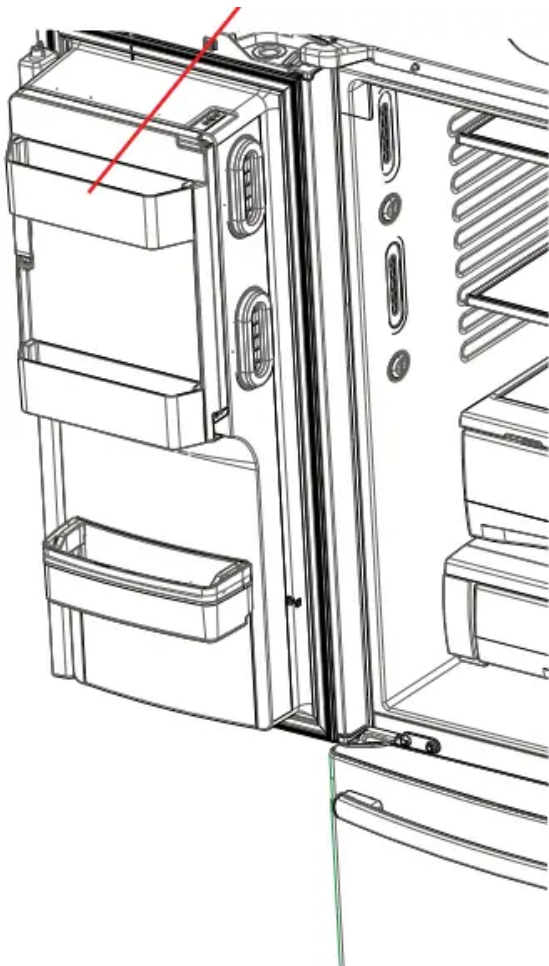
**To replace or relocate:** Slide in the bin just above the molded door supports, and push down. The bin will lock in place.

Drop down tray \* (tray open)



1. Open right fresh food
2. Depress both buttons on lower sides of bin and bin will drop down.
3. Reverse to reinstall.

#### **Non-Adjustable Bins on the Door (can be tilted)**

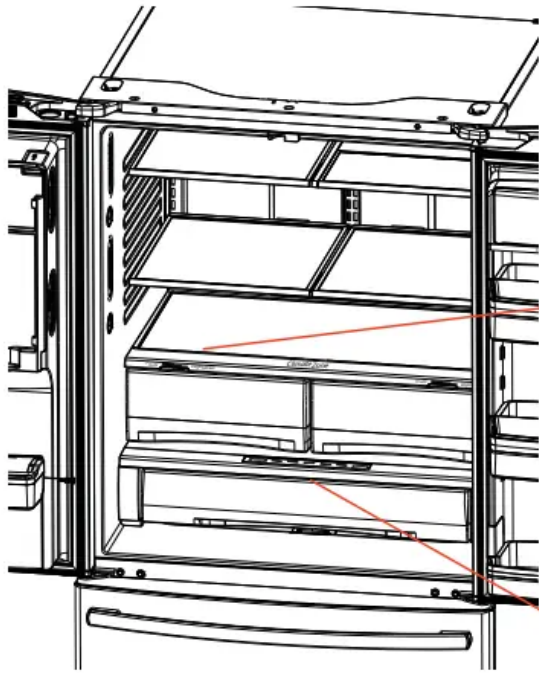


The icemaker door bins are not interchangeable, note the location upon removal and replace the bin in its proper location.

**To remove:** Lift the bin straight up. then pull out.

**To replace:** Engage the bin in the molded supports on the door and push down. it will lock in place.

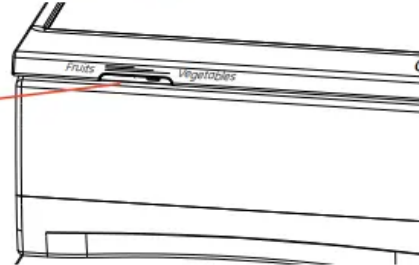
## About the climate zone and temperature controlled drawer



### ClimateZone

Keep fruits and vegetables organized in separate compartments for easy access.

Excess water that may accumulate in the bottom of the drawers or under the drawers should be wiped dry.



### Temperature Controlled Drawer

(on some models)

The temperature controlled Drawer is a full-width drawer with adjustable temperature control. This drawer can be used for large miscellaneous items.

To change setting, press select button.

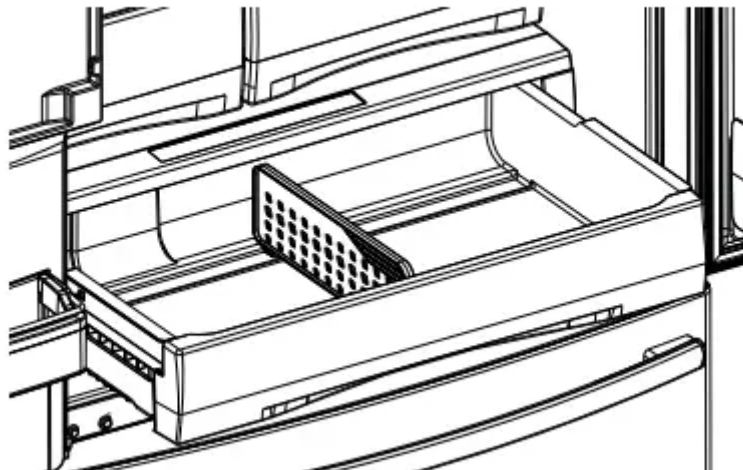
**Note:** when fresh food temperature is set to 40° or higher, temperature controlled drawer can only be set to citrus.



32° 34° 36° 38° 40°

**CAUTION:** Do not store glass bottles at this setting. If they are frozen, they can break and cause personal injury.

## How to Remove and Replace the Adjustable Deli/Produce Drawer

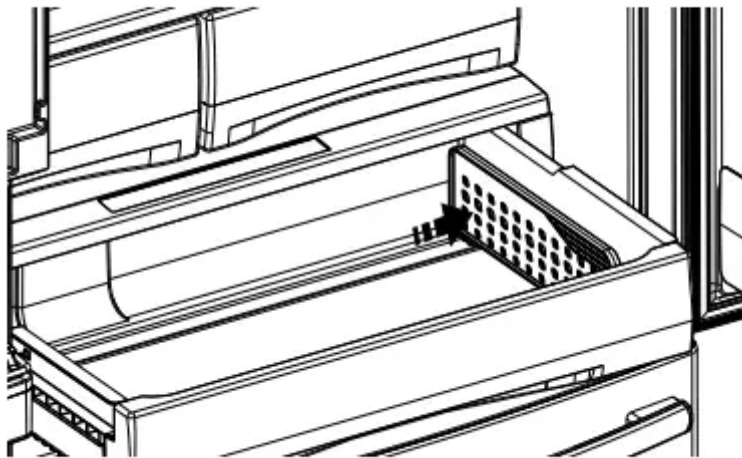


**To remove:**

1. Pull the drawer out to the stop position.
2. Lift the front of the drawer up and out. extended.

**To replace:**

1. Pull left and right slides until fully
2. Place drawer back in first and rotate drawer front down to seat on slide.
3. Push the drawer in to closed position.

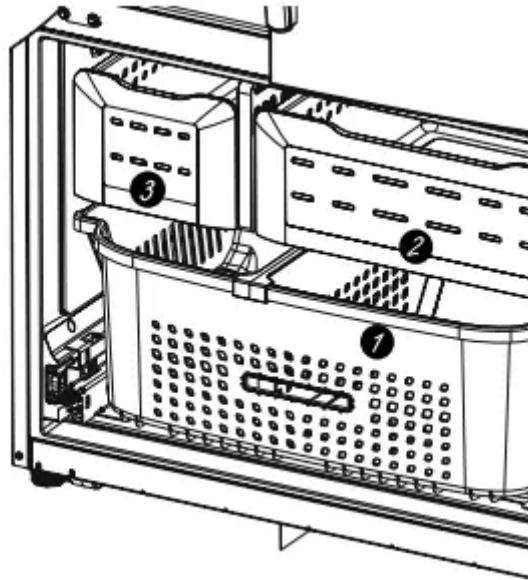
**How to Remove and Replace Drawer Divider****To remove:**

1. Pull the drawer out to the stop position.
2. Raise the front side of the divider wall of the drawer. to unhook it from the rear wall of the drawer.

**To replace:**

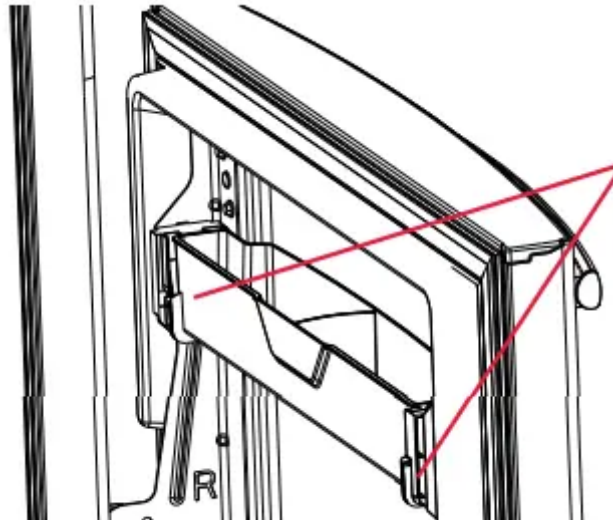
1. Hook the back of the divider over the rear
2. Push the divider down.

**About the freezer****Freezer Basket and Drawer**



1. Basket.
2. Drawer
3. Utility Bin / Ice Bucket

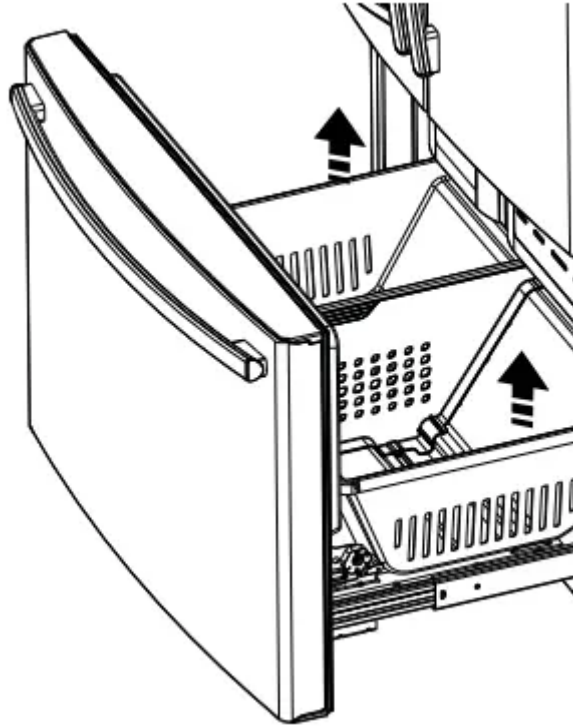
#### Non-Adjustable Bin in the Freezer



**To remove:** push in plastic tab on either left or right side

**To replace:** side bin into location until it locks into place.

#### Basket Removal



**To remove:**

1. Remove freezer door bin by pushing plastic tab on either left or right side to release bin hinge pin.
2. Pull basket out to the stop position.
3. Remove freezer basket by lifting up the rear of the basket and moving basket rearward until the front of the basket can be rotated upward and out.
4. Lift it out to remove.

**To replace:**

1. Reverse step 1 thru 4 to replace.

**Basket Divider Removal/ Adjustment**

**To remove:**

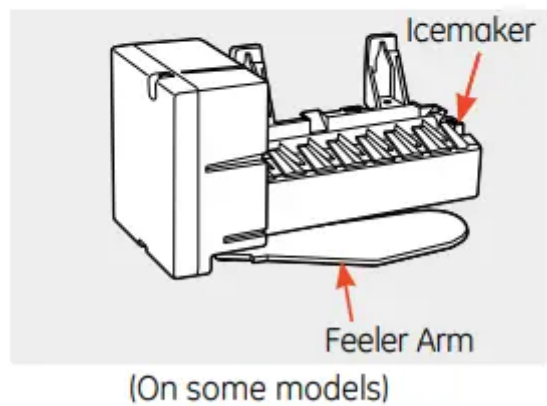
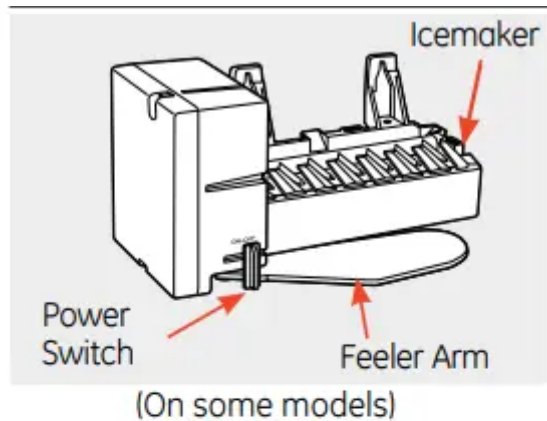
1. Pull basket out of the stop position.
2. Tilt up the rear of the bin.
3. Lift it out to remove.
4. Remove divider screw.

**To replace:**

1. Hook the top corners of the divider over the hole of the basket.
2. Reinstall divider bottom screw.

## About the automatic icemaker

### Automatic Icemaker (on some models)



The icemaker will produce seven cubes per cycle approximately 100-130 cubes in a 24-hour period, depending on freezer compartment temperature, room temperature, number of door openings and other use conditions.

See below for how to access ice and reach the power switch

If the refrigerator operated before the water connection is made to the icemaker, set the power switch in the 0 (off) position or turn icemaker off on control panel.

When the refrigerator has been connected to the water supply, set the power switch to the I (on) position. The icemaker power light will turn green when the freezer light switch is pressed in or when the freezer door is closed.

The icemaker will fill with water when it cools to 15°F [-10°C]. A new installed refrigerator may take 12 to 24 hours to begin making ice cubes.

You may hear a buzzing sound each time the icemaker fills with water.

Throw away the first few batches of ice to allow the waterline to clear.

Be sure nothing interferes with the sweep of the feeler arm.

When the bin fills to the level of the feeler arm, the icemaker will stop producing ice. It is normal for several cubes to be joined together.

If ice is not used frequently, old ice cubes will become cloudy, taste stale and shrink.

**NOTE:** In homes with lower-than-average water pressure, you may hear the icemaker cycle multiple times when making one batch of ice.

**NOTE:** Set the power switch on ice maker or control panel to O (off position) if the water supply is shut off.

**Accessing Ice** {on some models)

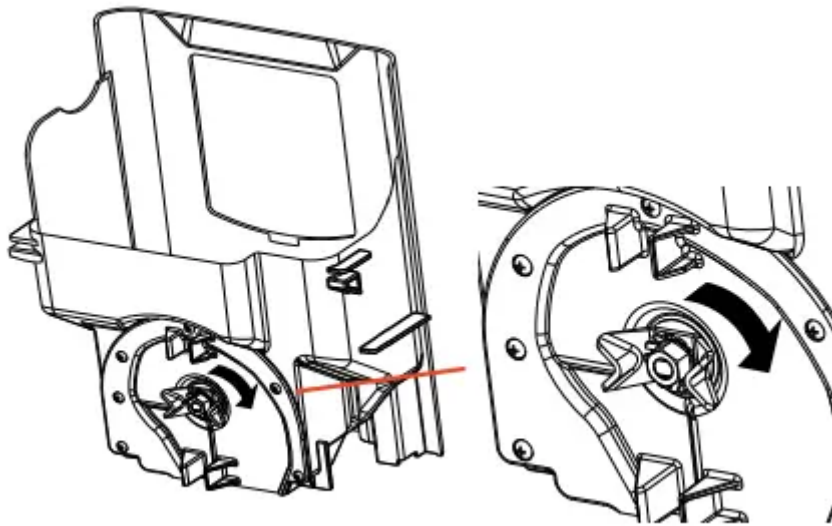


Open the freezer drawer and pull forward the ice bucket. The Ice bucket is on the left side below the mullion

1. Ice bucket

### **Ice Bucket and Dispenser**

- Pull up and out on the ice bucket to remove it from the compartment.
- To replace the ice bucket, set it on the guide brackets and push until the ice bucket seats properly.
- If bucket cannot be replaced, rotate the Ice Bucket Fork 1/4 turn clockwise.

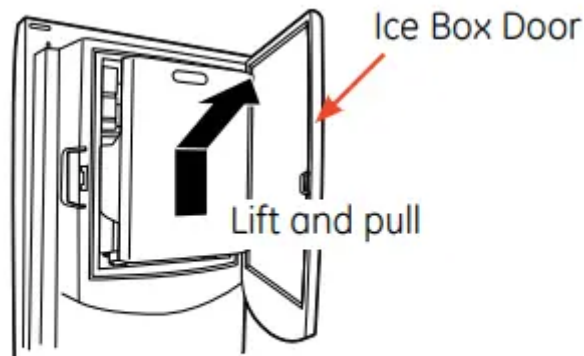


### Extra Ice Storage

- There is additional ice storage in the freezer compartment drawer.

### Accessing Ice and Reaching the Power Switch (ice and water models)

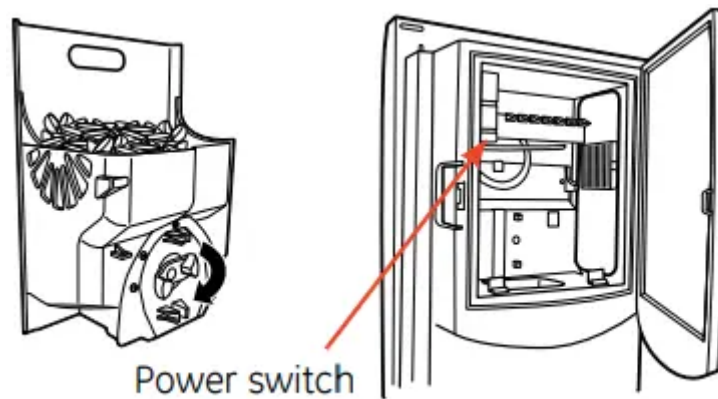
**To access Ice:** open the Ice box door located on the refrigerator door and remove the bucket.



To reach the power switch.

### To reach the icemaker power switch:

To access the icemaker power switch remove the ice bucket (PFE27 models only).



All other models use control (p.18)

## Care and cleaning of the refrigerator

### Cleaning the Outside

#### The stainless steel panels, door handles and trim.

Do not use appliance wax, polish, bleach, or other products containing chlorine on stainless steel. Stainless steel (on some models) can be cleaned with a commercially available stainless steel cleaner. A spray-on stainless steel cleaner works best.

#### Silver-accented plastic parts.

Wash parts with soap or other mild detergents.

Wipe clean with a sponge, damp cloth or paper towel.

Do not use scouring pads, powdered cleaners, bleach or cleaners containing bleach because these products can scratch and weaken the paint finish.

#### Should spill tray need cleaning use lime remover.

### Cleaning the Inside

**To help prevent odors,** leave an open box of baking soda in the refrigerator and freezer compartments.

#### Unplug the refrigerator before cleaning.

If this is not practical, wring excess moisture out of sponge or cloth when cleaning around switches, lights or controls.

Use an appliance wax polish on the inside surface between the doors.

Use warm water and baking soda solution—about a tablespoon (15 ml) of baking soda to a quart (1 liter) of water.

This both cleans and neutralizes odors.

Rinse and wipe dry.

## **Behind the Refrigerator**

Be careful when moving the refrigerator away from the wall as types of floor coverings can be damaged, particularly cushioned coverings and those with embossed surfaces.

Raise the leveling legs located at the bottom front of the refrigerator.

Pull the refrigerator straight out and return it to position by pushing it straight in. Moving the refrigerator in a side direction may result in damage to the floor covering or refrigerator.

Lower the leveling legs until they touch the floor.

**When pushing the refrigerator back, make sure you don't roll over the power cord or water supply line.**

## **Preparing for Vacation**

For long vacations or absences, remove food and unplug the refrigerator. Clean the interior with a baking soda solution of one tablespoon (15 ml) of baking soda to one quart (1 liter) of water. Leave the doors open.

**Non-LCD Models:** Turn the icemaker switch to off (pg. 18) and shut off the water supply to the refrigerator.

**LCD Models:** turn refrigerator off at control (pg 7).

If the temperature can drop below freezing, have a qualified service technician drain the water supply system to prevent serious property damage due to flooding.

1. Turn refrigerator off (pg. 7) or unplug the refrigerator.
2. Empty ice bucket
3. Turn water supply off

If you cut the water supply off, turn off the icemaker (pg. 18)

## **Preparing to Move**

Secure all loose items such as shelves and drawers by taping them securely in place to prevent damage.

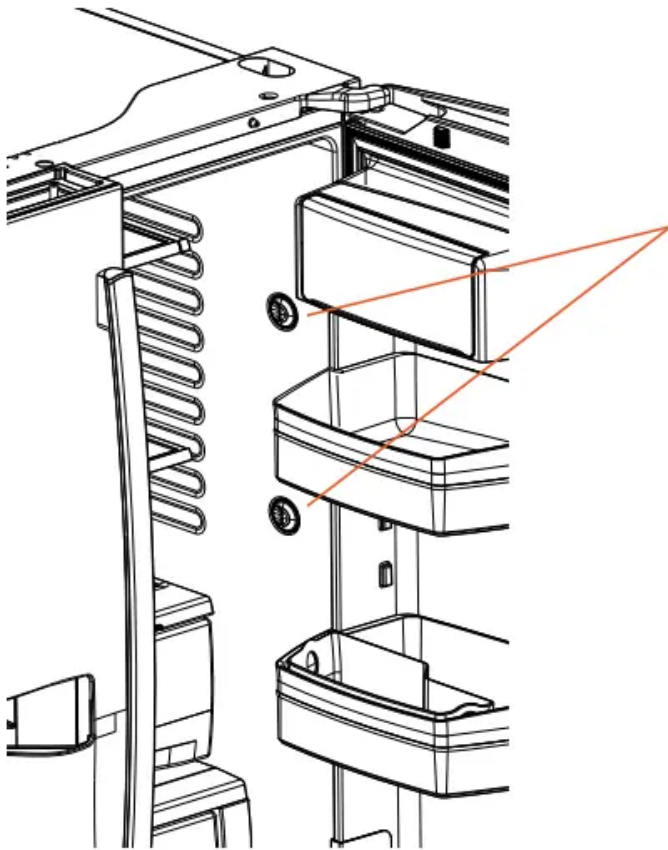
When using a hand truck to move the refrigerator, do not rest the front or back of the refrigerator against the hand truck. This could damage the refrigerator.

Handle only from the sides of the refrigerator.

Be sure the refrigerator stays in an upright position during moving.

## **Replacing the lights**

### **Refrigerator Lights( LEDs)**



There is LED lighting in fresh food compartment and on the bottom of the fresh food doors to light the freezer compartment (on some models).

An authorized technician will need to replace the LED light.

If this assembly needs to be replaced, call GE Service at 1.800.432.2737 in the United States or 1.800.561.3344 in Canada.

## Troubleshooting Tips

### Normal operating sounds

#### Do you hear what I hear? These sounds are normal

- The new high efficiency compressor may run faster and longer than your old refrigerator and you may hear a high-pitched hum or pulsating sound while it is operating.
- You may hear a whooshing sound when the doors close. This is due to pressure equalizing within the refrigerator.
- After dispensing ice, a motor will close the ice chute to keep warm room air from entering the ice bucket, maintaining ice at a freezing temperature. The hum of the motor closing the ice chute is normal, shortly after dispensing ice.
- You may hear the fans spinning at high speeds. This happens when the refrigerator is first plugged in, when the doors are opened frequently or when a large amount of food is added to the refrigerator or freezer compartments. The fans are helping to maintain the correct temperatures.
- The fans change speeds in order to provide optimal cooling and energy savings.
- You may hear cracking or popping sounds when the refrigerator is first plugged in. This happens as the refrigerator cools to the correct temperature.

- The compressor may cause a clicking or chirping sound when attempting to restart (this could take up to 5 minutes).
- Expansion and contraction of cooling coils during and after defrost can cause a cracking or popping sound.
- On models with an icemaker, after an icemaking cycle, you may hear the ice cubes dropping into the ice bucket.
- The flow of refrigerant through the freezer cooling coils may make a gurgling noise like boiling water.
- Water dropping on the defrost heater can cause a sizzling, popping or buzzing sound during the defrost cycle.
- A water dripping noise may occur during the defrost cycle as ice melts from the evaporator and flows into the drain pan.
- Closing the door may cause a gurgling sound due to pressure equalization.

For additional information on normal icemaker operating sounds, see the About the automatic icemaker section.

**Before you call for service...**



<b>Problem</b>	<b>Possible Causes</b>	<b>What to do</b>
<b>Water filter indicator light remains lit after replacing filter</b>	<b>Water filter indicator must be reset</b>	<p>Non-LCD models:</p> <ul style="list-style-type: none"> <li>• Press and hold the ICE &amp; WATER pad for 3 seconds. See About the water filter for more information</li> </ul> <p>LCD models:</p> <ul style="list-style-type: none"> <li>• On the LCD screen, select SETTING , then WATER FILTER Select REPLACE and follow the instructions given.</li> </ul>
<b>Water filter indicator is not lit</b>	<b>This is normal. This indicator will turn on to tell you that you need to replace the filter soon.</b>	See About the Water Filter for more information
<b>Handle is loose/ handle has a gap.</b>	<b>Handle needs adjusting</b>	See Attach Fresh Food Handle and Attach the Freezer Handle sections for detailed instructions.
<b>Refrigerator beeping</b>	<b>This is door alarm</b>	“Turn off or disable with door closed If door open and alarm is sounding, you can only snooze the alarm
<b>Not cooling</b>	<b>The cooling system is off</b>	<p>NON-LCD models: See About Controls.</p> <p>LCD models: See About Controls.</p>
<b>Water has poor taste/odor</b>	<b>Water dispenser has not been used for along time</b>	Dispense water. until all water in system is replenished
<b>Water in glass is warm</b>	<p><b>Normal when refrigerators first installed</b></p> <p><b>Water dispenser hos not been used for a long time</b></p>	<p>Wait 24 hours for the refrigerator to completely cool down.</p> <p>Dispense water. until al watern system is replenished</p>

	<b>Water system has drained</b>	Allow several hours for replenished supply to chill
<b>Water dispenser does not work</b>	<b>Water supply line turned off or not connected</b> <b>Water filter clogged or filter/ bypass plug not installed</b> <b>Air may be trapped in the water system</b> <b>Water in reservoir is frozen because the controls are set too cold</b>	See installing the Water Line Replace filter cartridge or remove filter and install bypass plug Press the dispenser arm for at least minutes. Set the refrigerator control to 0 warmer setting and wait 24 hours. if the water does not dispense after 24 hours. call for service
<b>Water spurting from dispenser</b>	<b>Newly installed filter cartridge</b>	Run water from the dispenser for 5 minutes (about 2 gallons)
<b>No water or ice cube production</b>	<b>Supply line or shutoff valve is clogged</b> <b>Water filter is clogged</b> <b>Filter cartridge not properly installed</b>	Call a plumber Remove filter cartridge or remove filter and install bypass plug Remove and reinstall filter cartridge, being certain that it locks in place.
<b>Water is leaking from dispenser</b>	<b>Air may be present in the water line system causing water to drip after remove air from being dispensed</b>	Dispense water for at least 2 minutes to remove air from system
<b>Photos not found</b>	<b>Photos not in root directory of USB</b> <b>Photos not in JPEG format</b> <b>Camera/PC used with USB cord</b>	Make sure the photos are in the root directory in your USB. Photos must be in JPEG format Must use a USB drive
<b>AUTO FILL underfill/no fill</b>	<b>Not all containers work with AUTO FILL</b> <ul style="list-style-type: none"> <li>• Container not found</li> <li>• Unstable container</li> <li>• Misaligned container</li> </ul>	Try different container See pg. 11



<b>AUTO FILL overfills</b>	<b>Not all containers work with AUTO FILL</b>	Try different container
<b>PRECISE FILL will not fill container</b>	<b>Normal PRECISE FILL requires use of dispenser paddle</b>	For a specific amount of water, select PRECISE FILL to dispense water
<b>Freezer cooling, fresh food not cooling</b>	<b>Normal. when refrigerator first plugged in or after extended power outage</b>	Wait 24 hours for temperature in both cooling compartments to reach selected outage temperatures.
<b>Ice dispenser opens after closing freezer drawer</b>	<b>Normal</b>	The ice dispenser door may open after closing freezer door to allow access

**Warning**

This content is compiled from multiple sources and is provided for reference purposes only. It may not be complete or fully applicable to all situations. If you are unable to resolve your issue, please contact the product manufacturer or an authorized service provider for official support.

