

INSTALLATION



WARNING!

Refer to Safety chapters.

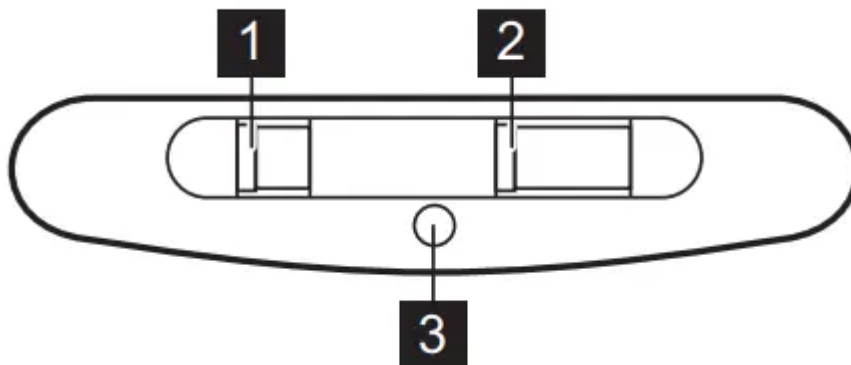
3.1 Installation instructions



For complete information about the installation of the appliance refer to a separate installation booklet.

PRODUCT DESCRIPTION

4.1 Control panel overview



1. Function	Description
2. Light switch	To switch the light on and off.
3. Fan speed switch	To switch between fan speed level.
4. Indicator	Indicates if the hood operates.

DAILY USE

5.1 Using the hood

Check the recommended speed

1. While heating up food, cooking with covered pots.
2. While cooking with covered pots on multiple cooking zones or burners, gentle frying.
3. While boiling and frying big quantities of food without a lid, cooking on multiple cooking zones or burners.




It is recommended to leave the hood operating for approximately 15 minutes after cooking.

To operate the hood:

Move the fan speed switch to one of the speed levels. The hood starts to operate. If needed, change the speed by moving the switch.



The hoods light works independently to other hood functions. To illuminate the cooking

surface use the light switch .

To turn off the appliance move the fan speed switch to the 0 position.

CARE AND CLEANING

6.1 Notes on cleaning

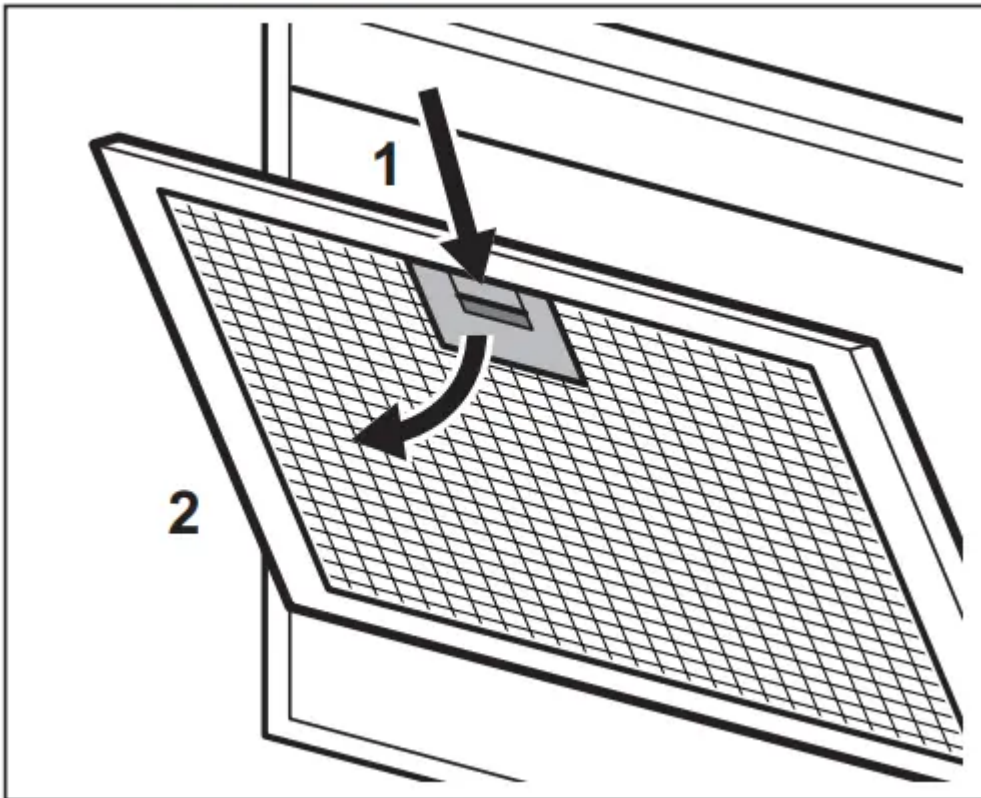
	Do not use abrasive detergents and brushes. Clean the surface of the appliance with a soft cloth with warm water and a mild detergent.
	After cooking some parts of appliance can get hot. To avoid stains appliance must be cooled down and dried with clean cloth or paper towels.
	Clean stains with a mild detergent.
	Clean the appliance and grease filters each month. Clean the interior and grease filters carefully from fat. Fat accumulation or other residue may cause fire.
	Grease filters can be washed in a dishwasher. The dishwasher must be set to a low temperature and a short cycle. The grease filter may discolour, it has no influence on the performance of the appliance.
	The time of saturation of the charcoal filter varies depending on the type of cooking and the regularity of cleaning the grease filter. The activated charcoal filter is not washable, cannot be regenerated and must be replaced approximately every 4/6 months of operation, or more frequently for particularly heavy usage.

6.2 Cleaning the grease filter

Filters are mounted with the use of clips and pins on the opposite side.

To clean the filter:

1. Press the handle of the mounting clip on the filter panel underneath the hood (1).



2. Slightly tilt the front of the filter downwards (2), then pull. Repeat the first two steps for all filters.
3. Clean the filters using a sponge with non abrasive detergents or in a dishwasher.



The dishwasher must be set to a low temperature and a short cycle. The grease filter may discolour, it has no influence on the performance of the appliance.

4. To mount the filters back follow the first two steps in reverse order. Repeat the steps for all filters if applicable.

6.3 Replacing the charcoal filter

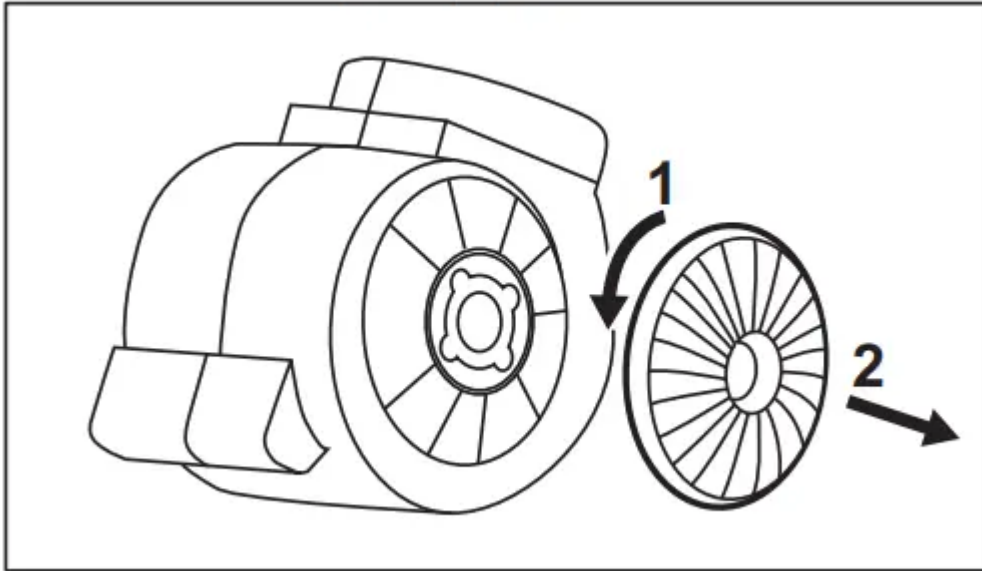


WARNING!

The charcoal filter is NONwashable! The filter cannot be regenerated!

To replace the charcoal filter:

1. Remove the grease filters from the appliance. Refer to "Cleaning the grease filter" in this chapter.
2. Turn the filter counterclockwise (1) and then pull (2).



To mount the filters back follow the steps in reverse order.

In any case, it is necessary to replace the filters at least every four months.

6.4 Replacing the lamp



WARNING!

Risk of burns and electric shock! Disconnect the appliance from the electricity before the operation!
Make sure that the light bulb has cooled down before touching it.



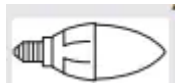
WARNING!

Risk of injury! Use protective gloves to replace the lamp.



Risk of damage to the appliance! Do not use sharp edged tools!


Replace the burnt light bulb in accordance with the specifications:


Power (W)	4
Socket	E14
Voltage (V)	220 - 240
Dimensions (mm)	37 x 100 (diameter x length)
ILCOS D Code (according IEC 61231)	DRBB/ F-4-220-240- E14-37/100
	

To replace the lamp:

1. The lamp cover has two slots on each side. Use a flat non sharp plastic tool. Gently remove the lamp cover from the appliance.
2. Replace the lamp.
3. Mount the lamp cover.

ENVIRONMENTAL CONCERNS

Recycle materials with the symbol . Put the packaging in relevant containers to recycle it. Help protect the environment and human health by recycling waste of electrical and electronic

appliances. Do not dispose of appliances marked with the symbol  with the household waste. Return the product to your local recycling facility or contact your municipal office.

Warning

This content is compiled from multiple sources and is provided for reference purposes only. It may not be complete or fully applicable to all situations. If you are unable to resolve your issue, please contact the product manufacturer or an authorized service provider for official support.