

USING THE DISPOSER

READ ALL SAFETY INSTRUCTIONS ON PAGES 3 AND 4 BEFORE USING THIS DISPOSER.

This disposer uses anti-jam swivel impellers that make a clicking sound as they swing into place. This indicates normal operation.

Continuous Feed Models

- A.** Remove the sink stopper and turn on a medium flow of cold water.
- B.** Turn the switch to ON.
- C.** Scrape in food waste. To speed up food waste disposal, cut or break up large bones, rinds and cobs. Large bones and fibrous husks require considerable grinding time and are more easily thrown away with other trash. Do not be alarmed that the disposer slows down while grinding. The disposer is actually increasing torque (grinding power) and is operating under normal conditions.
- D.** Before turning the disposer off, let the water and the disposer run for approximately 25 seconds after shredding stops. This assures that all waste is thoroughly flushed through the trap and drain.
- E.** Do not use hot water while running the disposer. Cold water will keep food waste and fats solid so they can be flushed down the drain.

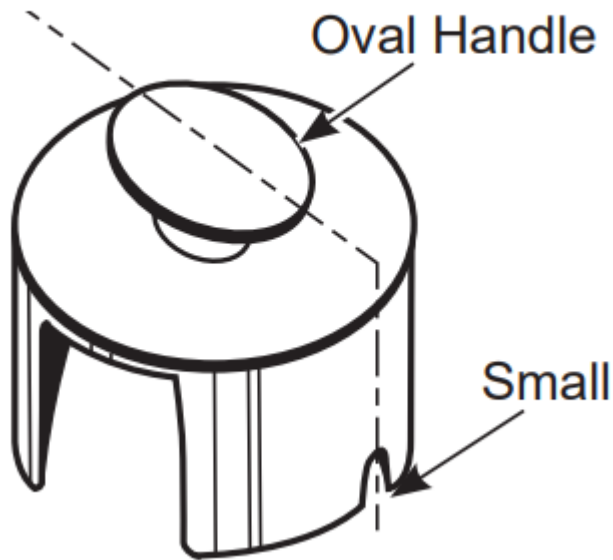
Batch Feed Models

- A.** Remove the sink stopper and turn on a medium flow of cold water.



- B.** Scrape in food waste.

C. Inset the stopper to start the disposer. One of the 2 small slots in the stopper base must line up with the switch plunger inside the neck of the disposer.



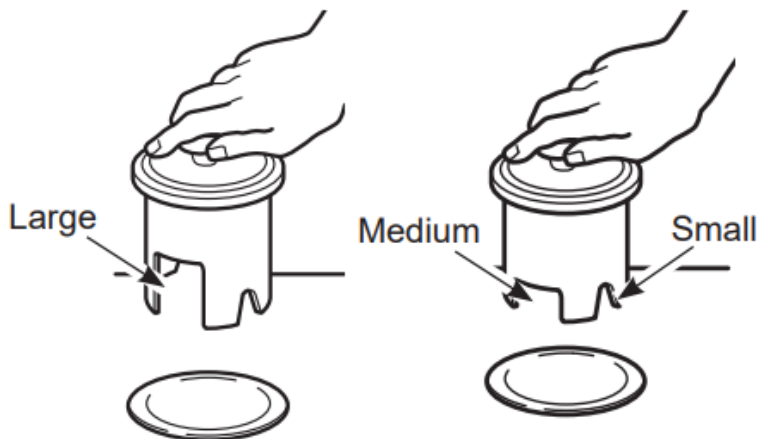
NOTE: The oval shaped handle aligns with the 2 small slots in the stopper.

Push down firmly to start.

D. Run the disposer for 25 seconds after shredding stops. This assures that all waste is thoroughly flushed through the trap and drain.

Lift the stopper to shut the disposer off.

E. To fill the sink, insert the stopper so that the largest slot lines up with the switch plunger. The stopper can now be pushed down to seal the sink without starting the disposer. When the medium-sized slot in the stopper base is lined up with the switch plunger, water can drain, but tableware, etc., cannot be accidentally dropped into the disposer.



WARNING Do not tamper with stopper or use anything other than the supplied stopper to move the plunger that actuates the on/off switch inside the neck of the disposer.

Helpful Hints

- A.** Be sure the disposer is empty before using the dishwasher so it can drain properly.
- B.** You may want to leave the stopper in the drain when not in use to prevent utensils and foreign objects from falling into the disposer.
- C.** The disposer is ruggedly built to give you years and years of trouble-free service. It will handle all normal food wastes - BUT it will not grind and dispose such items as tin cans, bottles and bottle caps, glass, china, leather, cloth, crockery, rubber, string, feathers, or clam or oyster shells. These are waste materials and belong in the trash can or trash compactor.
- D.** TO SPEED UP FOOD WASTE DISPOSAL: Cut or break up large bones, melon rinds, grapefruit skins and corn cobs. Items such as large bones, fibrous husks like lima bean pods and corn husks, require considerable cutting time. For this reason, you may prefer to place them in the trash can or trash compactor.

CARE AND CLEANING

THE MOTOR IS PERMANENTLY LUBRICATED FOR LIFE. DO NOT ATTEMPT TO LUBRICATE YOUR DISPOSER. The disposer is self cleaning and scours itself with each use.

- NEVER put lye or chemical cleaners into the disposer, as they cause serious corrosion of metal parts.
- Your disposer, except for the Batch Feed model, is equipped with a removable splash guard for ease of cleaning or replacement. Remove the splash guard by pulling it out from the top. To replace, insert into the sink flange and push down until it is properly seated.
- If an odor develops, run orange or lemon rinds through the disposer. A dozen ice cubes sprinkled with a little household scouring powder will also work.

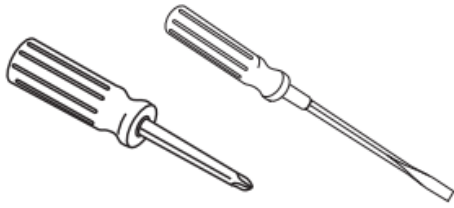
INSTALLATION INSTRUCTIONS

PREPARATION

1. Disconnect electrical power supply to disposer.
2. Remove old disposer or sink flange assembly.
3. Inspect drain line. If it is heavily coated with hardened grease and accumulations, rout out with a plumber's snake.
4. Remove old sealing materials and gasketing from sink opening, both top and bottom.

NOTE: Top and bottom of sink surfaces must be free of any materials to prevent leaks.

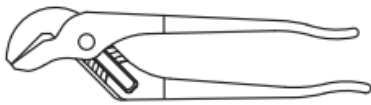
WHAT YOU WILL NEED



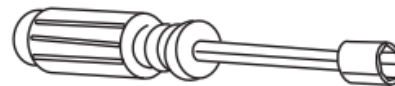
- Phillips and flat blade screwdriver



- Hammer



- Channel lock pliers, slip joint



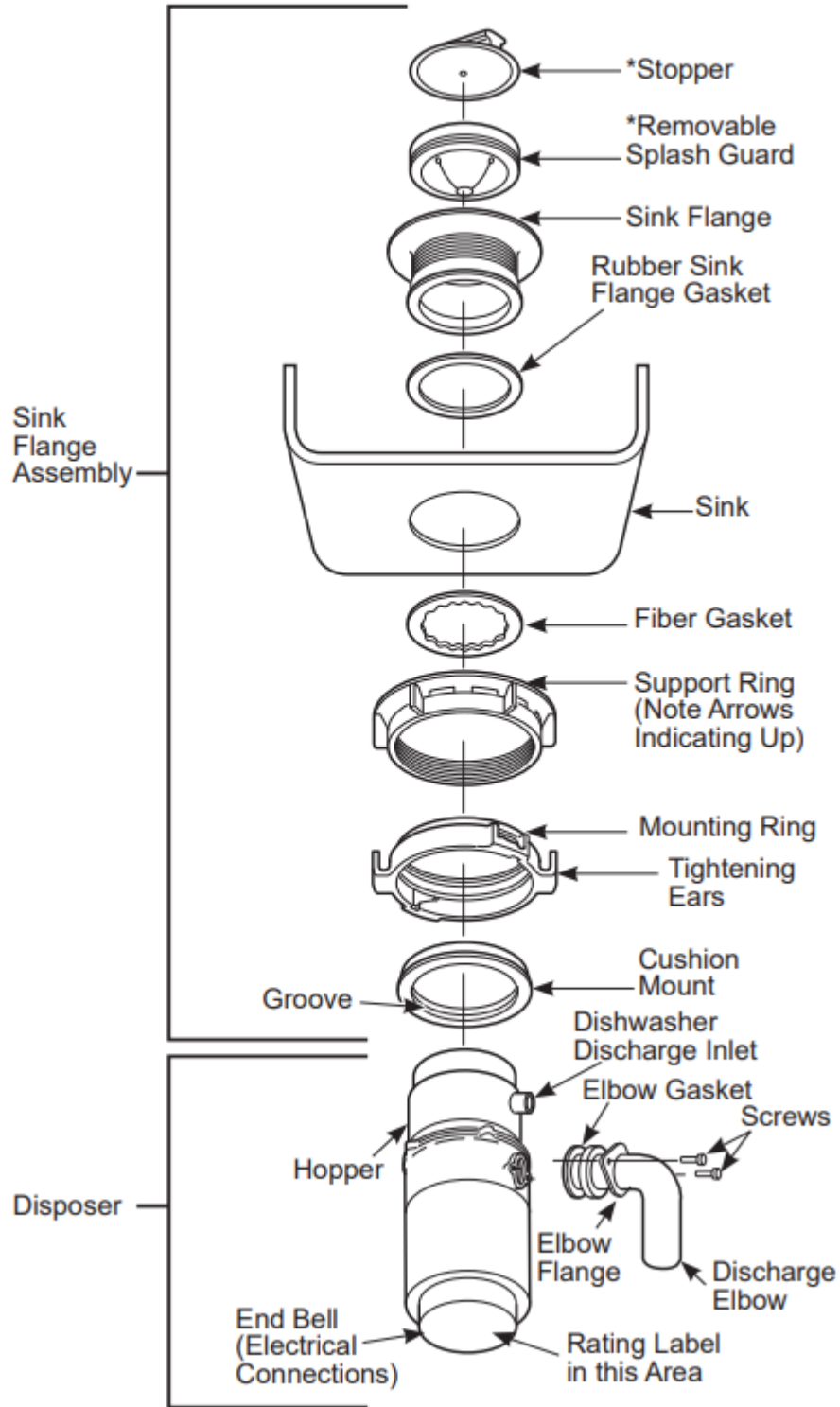
- Nut Driver

ADDITIONAL MATERIALS YOU MAY NEED

- Steel punch or wooden dowel
- Petroleum jelly or liquid soap
- Hose clamp
- Dishwasher drain connector
- Adjustable pipe wrench
- Plumber's putty (for cast sinks)
- Stepped rubber drain adapter
- Wire nuts
- Cable connector
- Flexible drain pipe
- Power cord kit (Part No. PM3X215)

COMPONENTS AND INSTALLATION

COMPONENTS

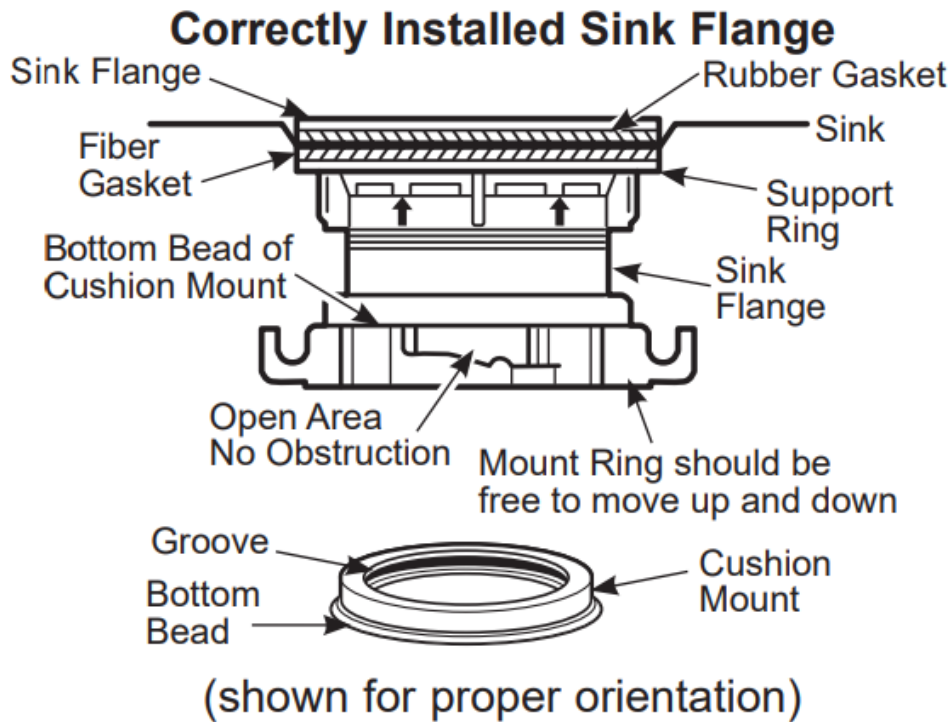


*Not used with batch feed model

INSTALLATION OF SINK FLANGE

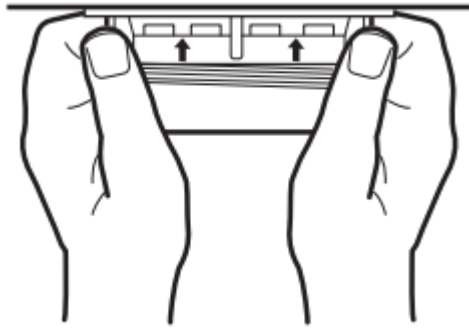
(Read completely before starting.)





NOTE: Pay close attention to the order of the sink flange parts, as they have been correctly assembled by the factory.

- A. Disassemble the sink flange assembly from the disposer by turning the mount ring to the left (clockwise) and removing it.
- B. Raise the mount ring toward the top of the sink flange. Remove the cushion mount and the mount ring. You may want to practice installing the cushion mount at this point before you are under the sink.
- C. Unscrew the support ring from the sink flange and remove the fiber gasket. You are now left with the sink flange and the rubber gasket.
- D. The rubber gasket is used instead of plumbers putty with stainless steel sinks. Some cast iron sinks will require putty.**
- E. If no putty is used, insert the sink flange through the rubber gasket into the sink opening. Do not turn the flange once it is seated.
- F. If you use putty instead of the gasket, form a ring around the underside of the sink flange. Insert the flange into the sink opening, press down hard to squeeze out excess putty. For under the sink, trim off excess putty flush with the bottom edge of the sink opening.
- G. From underneath the sink, slip the fiber gasket onto the exposed sink flange. With arrows pointing up, screw the support ring onto the sink flange and hand-tighten until the sink flange will not move.



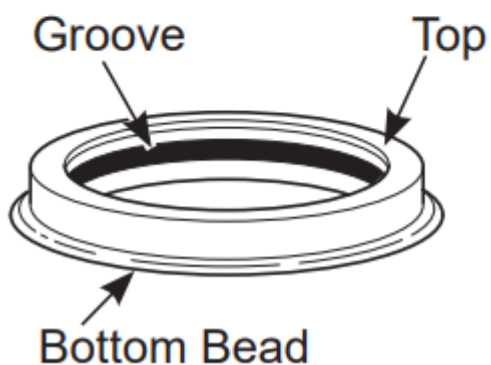
Hand-tighten sink flange

At this point you may want to insert the stopper in the sink and fill with water to check the sink flange seal and insure there are no leaks.

H. Place the mount ring over the sink flange and hold in place while installing the cushion mount (large side down). Make sure the groove on the inside of the cushion mount fits over the lip on the sink flange, similar to putting the lid on a plastic container. Run your fingers around the entire cushion mount with slight pressure.



Cushion Mount Detail



Do not press too hard. When the cushion mount is properly seated, the mount ring can be pulled downward over the cushion mount and will be free to turn.

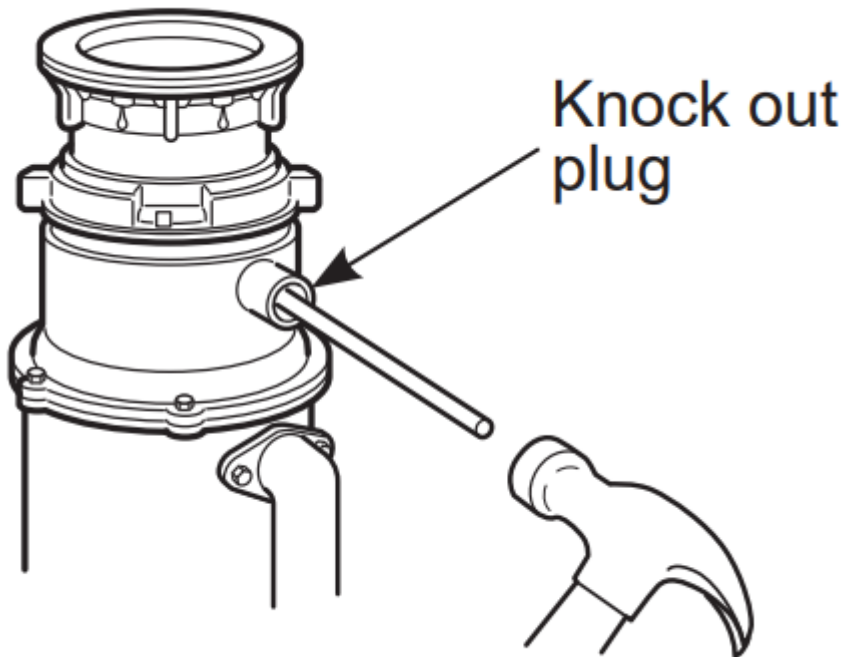
DISHWASHER CONNECTION (IF REQUIRED)

If you are connecting to a dishwasher, complete the following step. If a dishwasher is not to be connected, go to “Attaching the Discharge Elbow” below.

1.KNOCK OUT PLUG

Using a blunt instrument (steel punch or wooden dowel), knock out the entire plug. Do not use a screwdriver or sharp instrument. When knockout plug falls into disposer, you may remove it or simply grind it up when the disposer is used.

This will not damage the disposer in any way, but may take some time to grind, over the course of several uses.

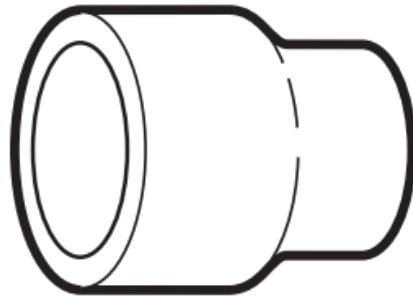


2.CONNECT HOSE

Connect the dishwasher hose using a hose clamp. If the hose size is different, you will need a stepped rubber adapter.



Hose Clamp

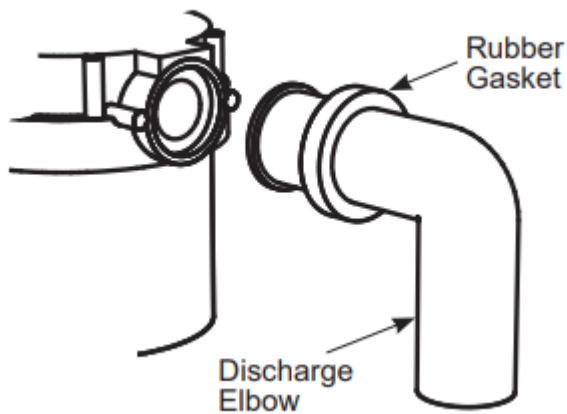


Stepped Rubber Adapter

ATTACH THE DISCHARGE ELBOW

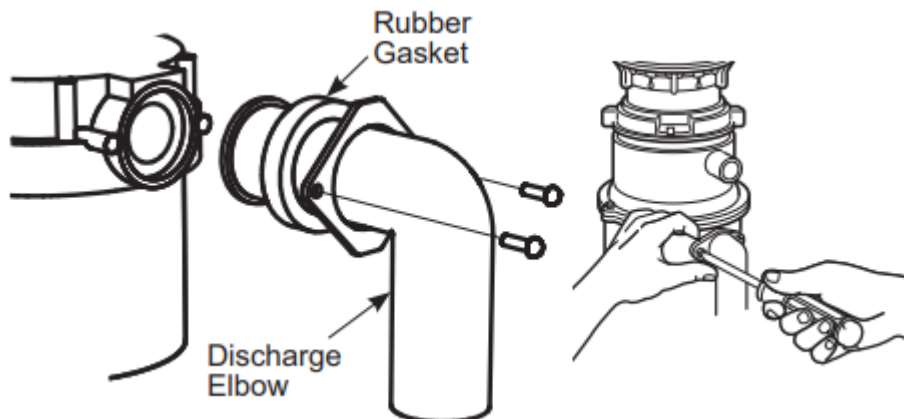
1. ATTACH RUBBER GASKET

Slide rubber gasket over drain pipe.



2. CONNECT DISCHARGE ELBOW*

Slide bracket over discharge elbow and connect to the disposer.** Make sure all plumbing connections are tight.

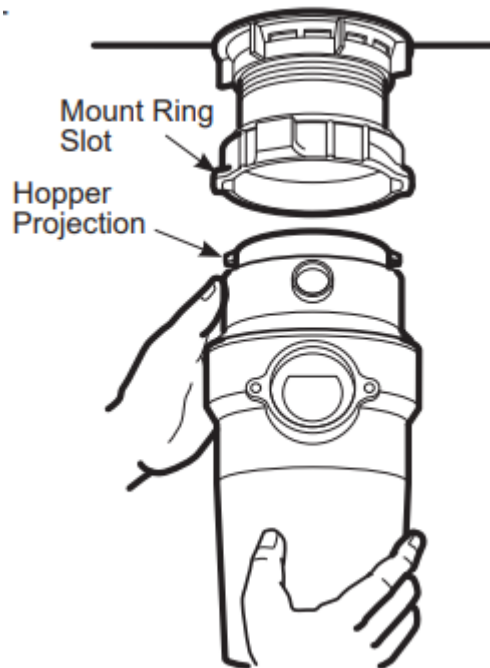


*Discharge elbow must be installed by a professional

**Some installations (see page 11 for example) may require the use of a flexible drain pipe.

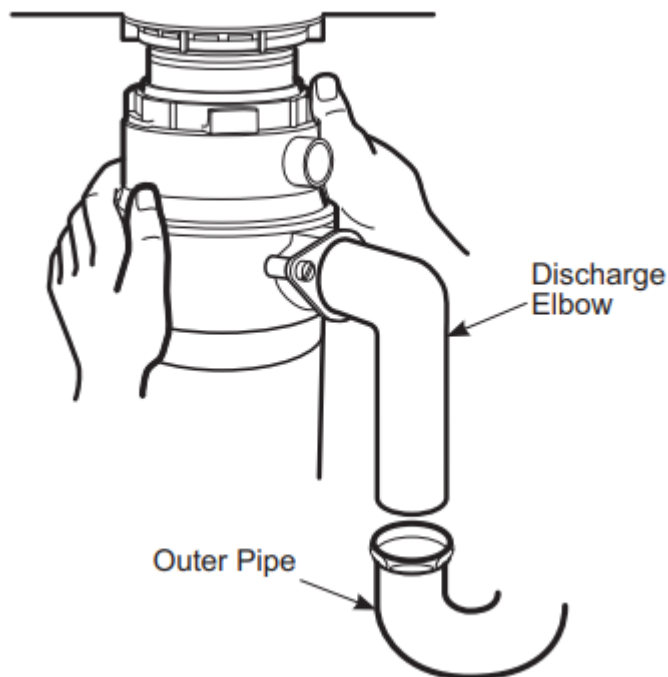
CONNECT DISPOSER TO SINK FLANGE

1. ATTACH TO SINK FLANGE



Line up the disposer under the sink flange. Guide the hopper projections into the mount ring slots. Turn the mount ring about 1/4" to the right so that the disposer is temporarily supported.

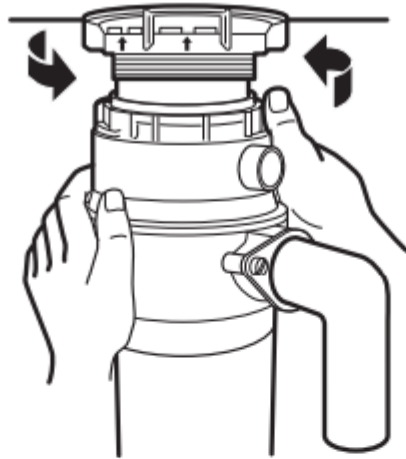
2. LINE UP WITH OUTLET PIPE



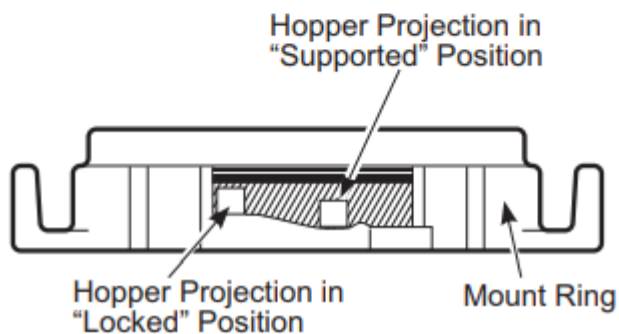
Turn the mount ring and the disposer until the disposer discharge elbow lines up with the outlet pipe (see page 11).

3. LOCK MOUNT RING

Turn the mount ring to the right until it locks up tight. Hopper projections must be to the extreme left of the mounting slots. If the mount ring is hard to turn, you may add a small amount of petroleum jelly or liquid soap to the hopper projection. Run water and check for leaks.



Locking Detail

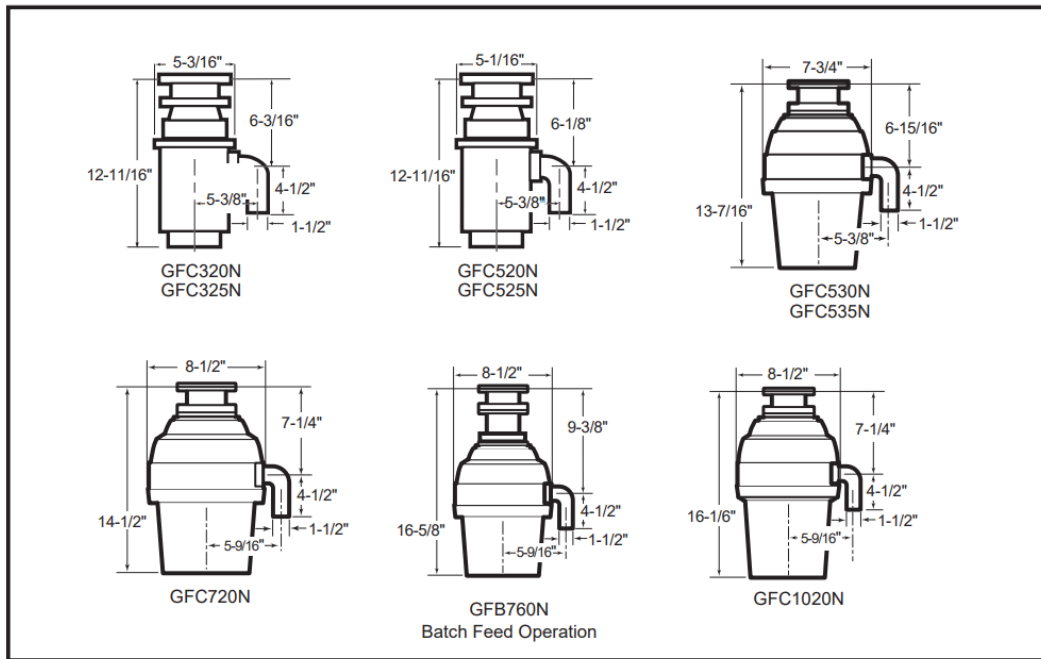


4. CHECK FOR LEAKS

Check the unit for leaks 24 hours after installation and first operation.

DIMENSIONS

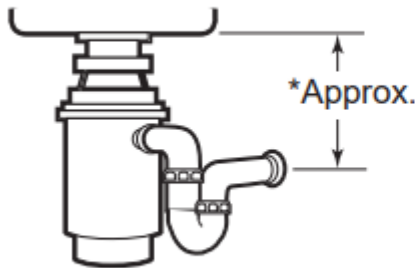




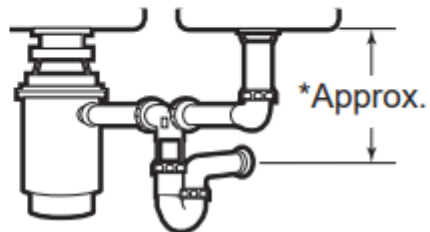
SOME TYPICAL INSTALLATIONS

NOTE: It is essential for the proper operation of the disposer that this dimension be 9"-12", depending upon the models listed above, to avoid standing water in disposer motor housing.

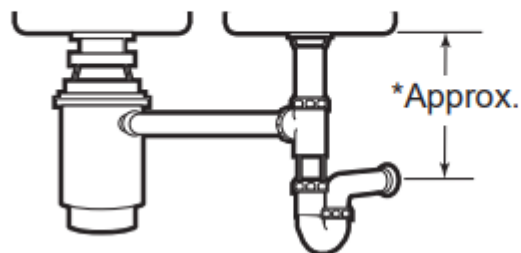
SINGLE BOWL



DOUBLE BOWL CENTER OUTLET**

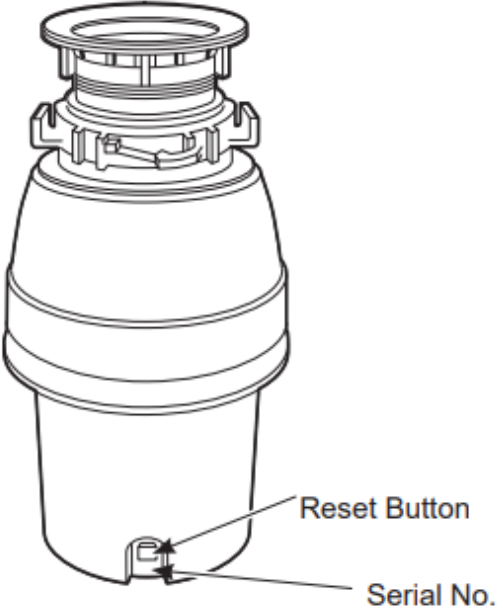
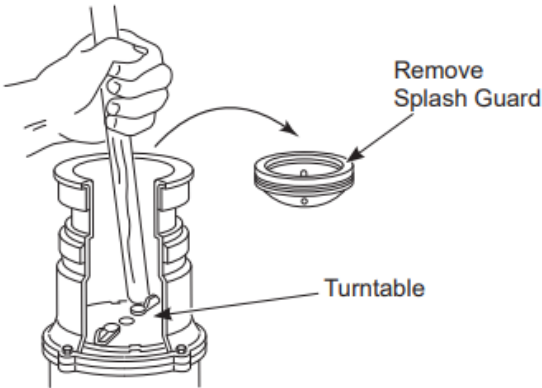


DOUBLE BOWL END OUTLET**



TROUBLESHOOTING TIPS

SAFETY NOTE: Before investigating, you must disconnect the power supply.

Problem	Possible Cause	What To Do
<p>Loud noises (other than those during grinding of bones and fruit pits)</p>	<p>Silverware, bottle cap or other foreign object has fallen into the disposer</p>	<p>Remove the splash guard* and check for the object with long-handled tongs. Replace the splash guard*.</p>
<p>Disposer does not start</p>	<p>Reset button has been tripped</p> 	<p>With the splash guard* removed, try to see if the turntable will move by using a broom handle. If the turntable moves freely, replace the splash guard* and check the reset button to see if it has been tripped. The reset button is located opposite the discharge opening near the bottom of the disposer. Push the button in until it clicks and is fully depressed. If the reset button has been tripped, check for a shorted or broken wire connecting to the disposer. Check the electrical power switch, fuse box or circuit breaker.</p> <p>If wiring and electrical components are intact, the unit may have internal problems that require service technician replacement.</p>
	<p>Turntable cannot rotate.</p> 	<p>If the turntable does not turn, check for an object lodged between the turntable and the grind ring. Dislodge the object by moving the turntable with a broom handle. Then remove the splash guard*.</p> <p>If no foreign object is present, there may be internal problems.</p>



Disposer leaks	<p>If the leak is at the top, it may be caused by:</p> <ol style="list-style-type: none">1. Improper seating of sink flange (gasket choice, putty, or tightening).2. Support ring not tightened properly.3. Defective cushion mount. <p>If the leak is at the discharge elbow, leak may be caused by improper tightening of elbow flange screws.</p>	
-----------------------	---	--

* Batch Feed does not include splash guard.

Warning

This content is compiled from multiple sources and is provided for reference purposes only. It may not be complete or fully applicable to all situations. If you are unable to resolve your issue, please contact the product manufacturer or an authorized service provider for official support.

Document generated by [ManualsFile](#)

