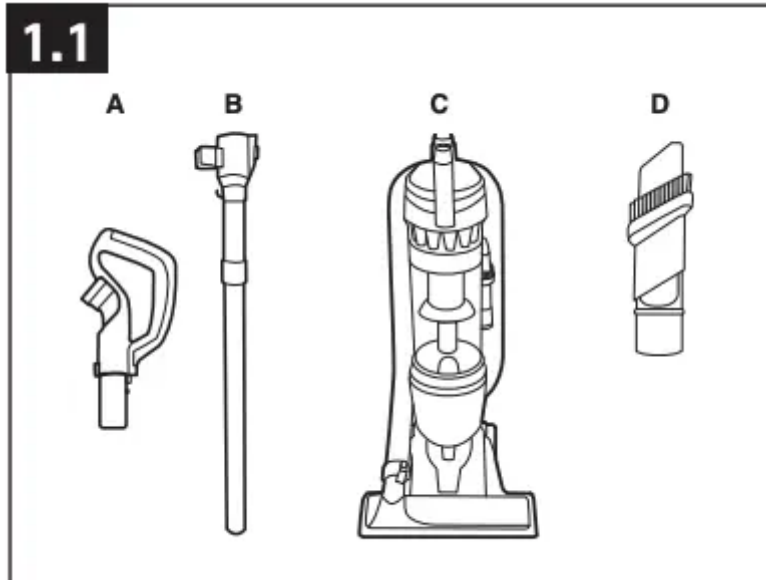


## Vacuum ASSEMBLY

### Carton contents



A. Handle

B. Wand

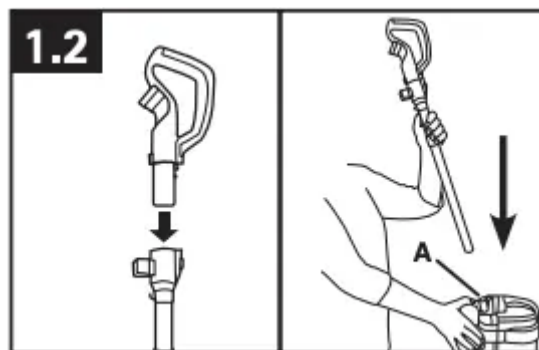
C. Vacuum Base and Dirt Cup

D. 2-in-1 Combination Tool

Remove all parts from carton and identify each item shown.

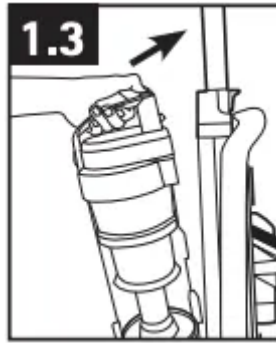
Make sure all parts are located before disposing of packing materials.

### Attach handle



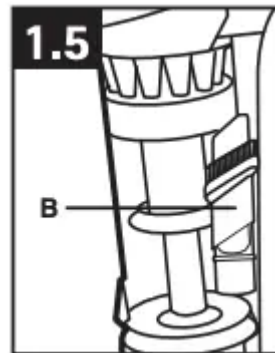
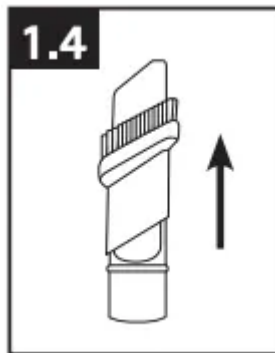
Insert handle into wand until secure. Press lever (A) on vacuum base to insert handle section.

### Attach dirt cup



Place bottom of dirt cup into vacuum body first. Pivot cup into vacuum. Press down on the dirt cup release button to secure into place.

### Position Tools



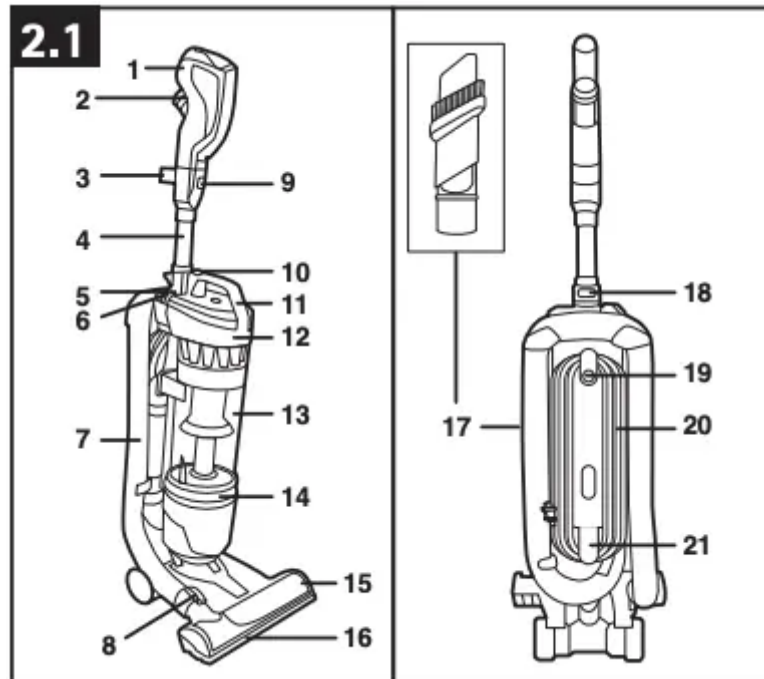
For storage mode, push dusting brush all the way up onto crevice tool.

Insert 2 in 1 combination tool into tool storage area (B) on side of vacuum.



# HOW TO USE

## Vacuum Description



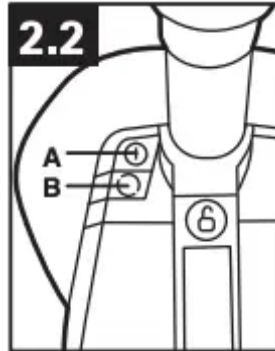
1. Premium D-Grip Handle
2. Hose Connection
3. Hose Clip
4. Wand
5. ON/OFF Power Switch
6. ON/OFF Brushroll Switch
7. Hose
8. Hose Release Button
9. Handle Release Button
10. Dirt Cup Release Button
11. Carry Handle
12. Rinsable Filter Access
13. Dirt Cup
14. Filter made with HEPA media
15. Brushroll Window
16. Furniture Guard in-1 Combination Tool
17. Wand Release
18. Cord Release

19. Cord

20. Cord Wrap

**⚠ CAUTION ⚠** Not to be used for grooming a pet.

### ON-OFF Switch

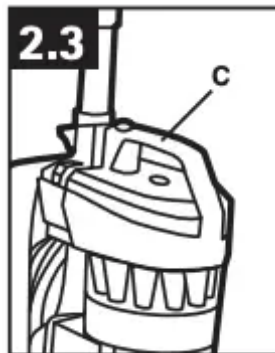


Plug cord into electrical outlet.

To turn vacuum ON (I = ON), push ON/OFF switch (A) once. To turn vacuum OFF (0 = OFF), push switch again.

To turn brushroll ON, push ON/OFF switch (B) once. To turn brushroll OFF, push switch again.

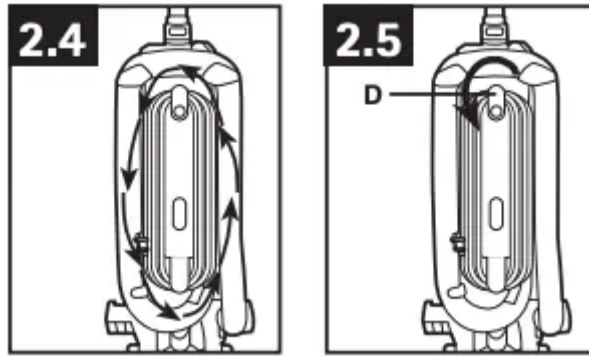
### CARRY Handle



The cleaner can be moved by using the carry handle (C).



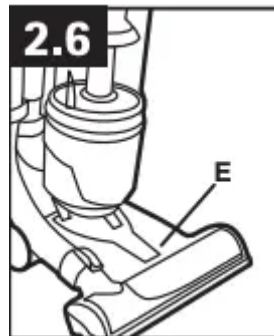
## Cord STORAGE



Wrap cord around cord hooks for convenient storage. Attach the plug end to the cord.

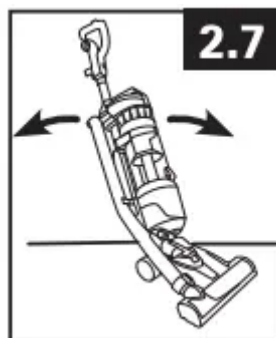
Twist upper cord hook (D) to allow cord to be released.

## Handle positions



The handle of your cleaner has two positions: upright for storage and when using cleaning tools; operating position for general operation on carpet and floors; hold nozzle with foot (E) and pull handle back.

## Maneuverable

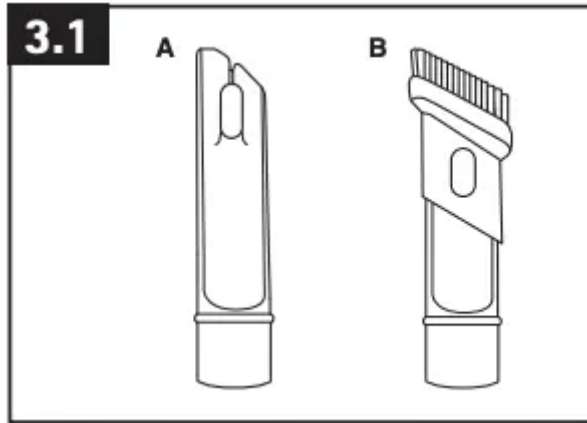


Lower handle and twist to maneuver under and around furniture.

## TOOLS

Tools allow for cleaning surfaces above the floor and for reaching hard to clean areas. The vacuum is ready for tool use when handle is in upright position.

### Select Proper Tool 2-in-1 Combination Tool



- A. Crevice Tool may be used in tight spaces, corners and along edges in such places as dresser drawers, upholstered furniture, stairs and baseboards.
- B. Dusting Brush may be used for furniture, table tops, books, lamps, lighting fixtures, venetian blinds, baseboards, shutters, and registers.

### Removing Hose



To remove hose for tool use, press the hose release button and pull hose end out.

To lock back into place, push hose into hose tube until you hear a click.

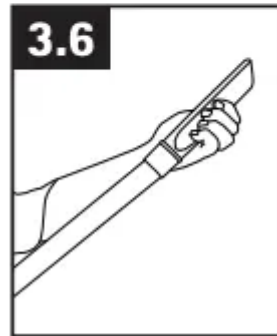
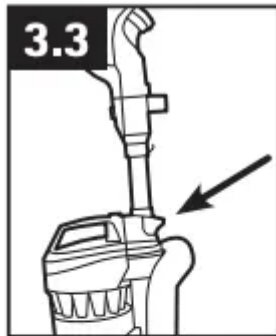
**⚠ CAUTION ⚠** To reduce the risk of injury from moving parts-keep fingers away from opening - Unplug before servicing.

### Attach Wand and Tools\*

**⚠ WARNING ⚠** Unplug vacuum before connecting wand or tools.

## ⚠ CAUTION ⚠

To reduce the risk of injury from moving parts-keep fingers away from opening - Unplug before servicing.



Cleaner must be in the upright position.

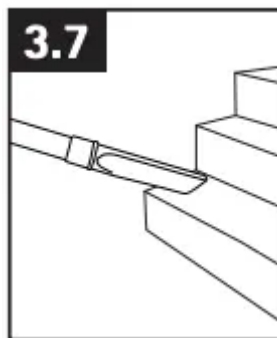
- Press handle wand release button and pull handle up to remove.
- Press the hose release button on the nozzle and remove the hose from the nozzle.
- Attach the hose to the handle/extension wand. For extended cleaning reach, you may attach the hose to the stair hose\*. Choose the 2-in-1 combination tool or use the extension wand alone.
- Simply push the attachment firmly on the end of the extension wand or hose. To remove tool, twist and pull apart gently

\*Available on select models only

## ⚠ CAUTION ⚠

Not to be used for grooming a pet.

## Stair Cleaning



The hose and tools can be used for stair cleaning.

**⚠ CAUTION ⚠** Use extra care when cleaning on stairs. To avoid personal injury or damage, and to prevent the cleaner from falling, always place cleaner at bottom of stairs or on floor. Do not place cleaner on stairs or furniture, as it may result in injury or damage. When using tools, always ensure handle is in upright position.

## MAINTENANCE

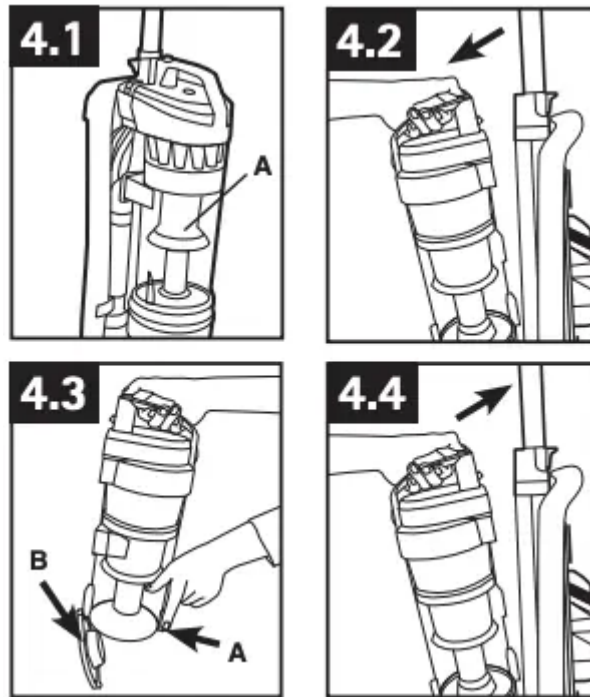
Familiarize yourself with these home maintenance tasks as proper use and care of your vacuum will ensure continued cleaning effectiveness. Any other servicing should be done by an authorized service representative. If appliance is not working as it should, has been dropped, damaged, left outdoors, or dropped into water, take it to a service center prior to continuing use.

### Dirt Cup: When to Empty

Empty the dirt cup before the dirt cup reaches the max line (A). Place the vacuum in the upright position before removing the dirt cup.

**⚠ WARNING ⚠** To reduce the risk of personal injury - Unplug before cleaning or servicing. Do not use vacuum without dirt cup or filters in place.

Very fine materials, such as face powder or cornstarch, may seal the filter bag and may cause it to burst even though it is partially full of dirt. When the cleaner is used to remove material of this nature, change filter bag often.



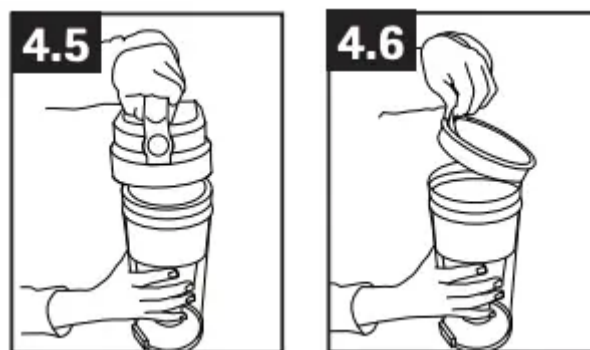
### Dirt Cup: How to Empty

- Press dirt cup release button and pivot cup out.
- Hold dirt cup over trash receptacle, push dirt cup door release lever (A) to open dirt cup door (B). Close dirt cup door (B). Press firmly to secure.
- Place bottom of dirt cup into vacuum body first. Pivot dirt cup into vacuum. Press down on the dirt cup release button to secure into place.

### Filters: When to Clean

To maintain optimal performance, filters should be cleaned every two months under normal use.

**⚠ WARNING ⚠** To reduce the risk of personal injury - Unplug before cleaning or servicing. Do not use vacuum without dirt cup or filters in place.



Remove dirt cup as described in Fig. 4.2.

- Twist the dirt cup lid to open.

- Pull tab out to remove rinsable filter.

Rinse with water for two minutes or until water runs clear. Then squeeze out excess water. Allow 24 hours for filter to dry completely. Replace filter, tab side out. Close lid securely by twisting dirt cup lid until it clicks as shown in Fig. 4.5. Replace dirt cup as described in Fig 4.4.

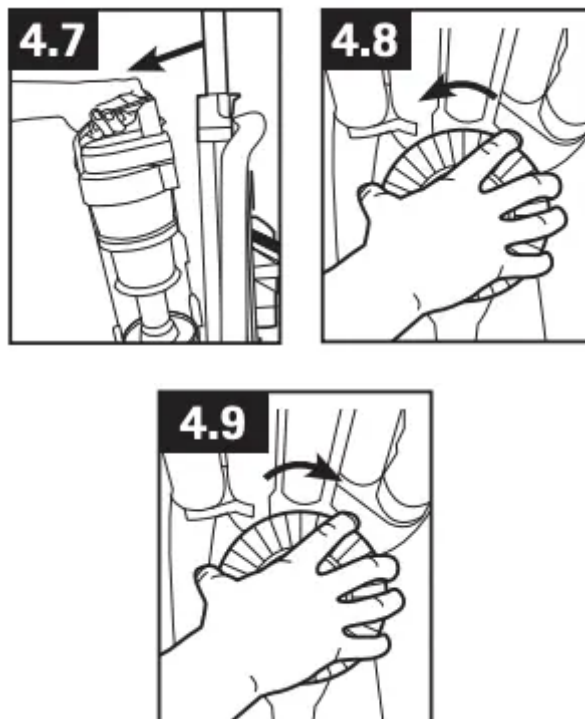
### Rinsable Filter: What to Buy

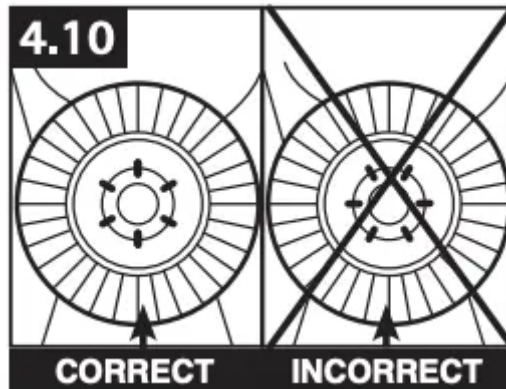
When used and maintained properly, your Rinsable Filter should not need replacement within the warranty period. If desired, additional filter is available. Ask for Hoover® Part No. 440005515.

**• IMPORTANT •** Allow filter to dry completely before replacing. Dry filter on edge so air circulates on both sides of filter. This may take up to 24 hours.

### Filter Made With HEPA Media: How to Clean

**⚠ WARNING ⚠** To reduce the risk of personal injury - Unplug before cleaning or servicing. Do not use vacuum without dirt cup or filters in place.





- Remove dirt cup.
- Unlock filter cover by twisting counter-clockwise to remove. Remove the filter from the filter housing and hold over a trash receptacle. Tap out dirt and debris. Replace filter.
- Insert filter cover into main body tabs, press down until it clicks. Replace filter cover by twisting clock-wise till it snaps in place.
- Orientation of filter cover must be as shown. Replace dirt cup on vacuum.

## • IMPORTANT •

DO NOT RINSE OR WASH THE FILTER CARTRIDGE.

### Filter Made With HEPA Media: What to Buy

When used and maintained properly, your Filter should not need replacement within the warranty period. If desired, additional filter is available. Ask for Hoover® Part No. 440005516.

### HOSE: How to Clean



## CAUTION



To reduce the risk of injury from moving parts-keep fingers away from opening - Unplug before servicing.



To remove hose for tool use, press the hose release button (A) and pull hose end out. Clear away debris or obstructions from hose. Do not use sharp objects to clean out hose as they can cause damage. To lock back into place, push hose into hose tube until you hear a click

## Cyclonic Filter Assembly: How to Clean



### WARNING

To reduce the risk of personal injury - Unplug before cleaning or servicing. Do not use vacuum without dirt cup or filters in place.



Remove dirt cup as described in Fig. 4.2.

- Lift the filter assembly (A) up out of the dirt cup.
- Dirt and debris can be cleaned from the filter assembly with the dusting/ upholstery tool.
- Place the filter assembly (A) on the dirt cup, aligning the D-shaped tab on the top of the dirt cup. Press down firmly to place the filter assembly back in place.

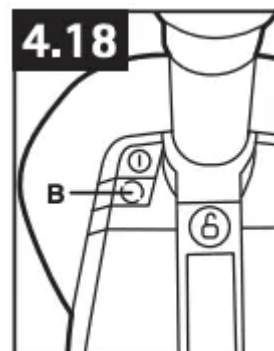
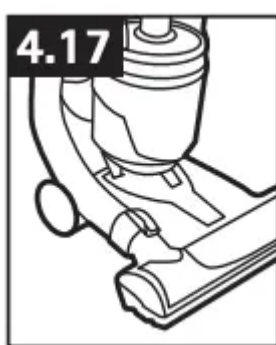
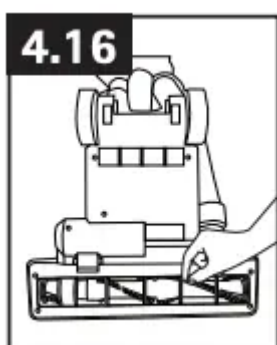
Replace dirt cup as described in Fig. 4.4.

## BRUSHROLL: How to Clean



### CAUTION

To reduce the risk of injury from moving parts - Unplug before servicing.



- Turn vacuum over so bottom side is facing up. Remove any debris and/or hair from brushroll. For additional maintenance required for belt or brushroll please contact a HOOVER® service provider at 1-800-944-9200.
- Vacuum is equipped with an automatic brushroll shut off in event of overload or jam.

- To reset the brushroll, press the ON/OFF Brushroll switch (B) OFF. Then press the ON/OFF Brushroll switch again to ON. After resetting the brushroll may still be blocked. Check for obstructions in the brushroll area and remove any obstructions.

## Belt



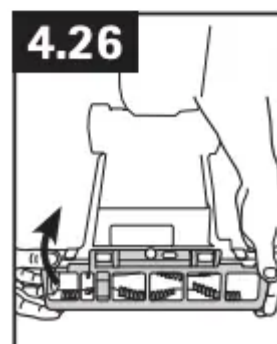
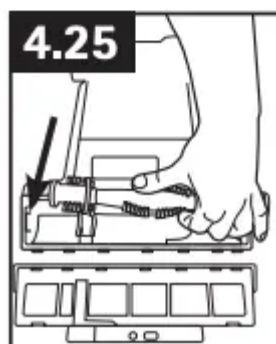
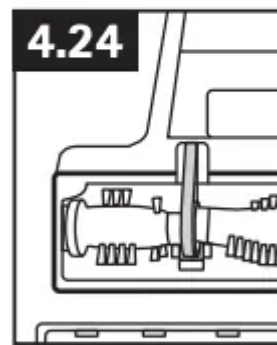
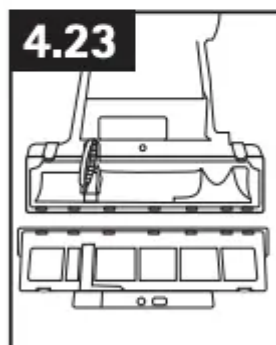
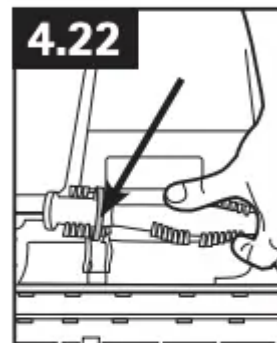
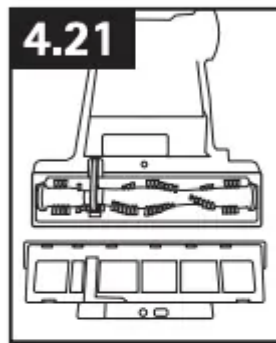
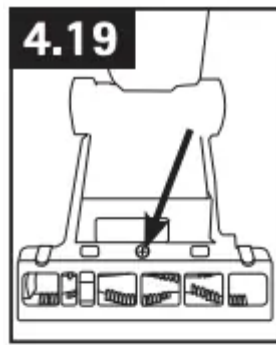
To reduce the risk of injury from moving parts - Unplug before servicing.

The belt is located under the bottom plate of the vacuum and should be checked from time to time to be sure it is in good condition.

### When To Replace

Replace belt if it is damaged, cut or broken. To check the damaged belt, refer to Fig. 4.19 - 4.26.

### How To Replace



Place handle in the low position and turn the cleaner over so the bottom side is up.

- Remove 1 screw as shown with a Phillips screw - driver.
- Push down on 2 clips to release bottom plate and lift off.
- Remove agitator brushroll and used belt. Discard used belt.
- With the lettering on the outside of the belt and posi - tioned as shown, place the belt on to the motor shaft.

- With the belt securely attached to the motor shaft slide the brush through the belt as shown.
- With the belt attached to the agitator, grasp the agitator firmly and fit it into position by first sliding end opposite side of the belt into the rectangular slot on side of cleaner. Pull other side of agitator into place and turn agitator making sure the belt is not pinched between agitator and agitator shield.
- Reattach the bottom plate by hooking the front of the plate to the cleaner and rotating the plate to the locking clips. Once locking clips are engaged, replace 1 screw.

### **Belt: What to Buy**

Use only genuine HOOVER® belts with your vacuum. When purchasing a new belt, ask for Belt - HOOVER® part No. 440008633 .

**LUBRICATION** : The motor and brushroll are equipped with bearings which contain sufficient lubrication for their lifetime. The addition of lubricant could cause damage. Do not add lubricant to motor or brushroll.

## **TROUBLESHOOTING**

If a minor problem occurs, it usually can be solved quite easily when the cause is found by using the checklist below.

Any other servicing should be done by an authorized service representative

If appliance is not working as it should, has been dropped, damaged, left outdoors, or dropped into water, take it to a service center prior to continuing use.



To reduce the risk of personal injury - Unplug before cleaning or servicing.

### **Vacuum won't run**

1. Power cord not firmly plugged into outlet.
  - 1. Plug unit in firmly.
2. Blown fuse or tripped breaker.
  - 2. Check fuse or breaker in home. Replace fuse/reset breaker in home.
3. Thermal Protector activated.
  - 3. Unplug and allow vacuum to cool for 30min. (This will reset the thermal protector)
4. Automatic brushroll shut-off engaged.
  - 4. Press brushroll ON/OFF switch twice.

### **Vacuum won't pick up or Low suction**

1. Rinsable filter and/ or filter made with HEPA media is dirty.

- 1. Clean rinsable filter and or filter made with HEPA media - Pg.9-10

2. Dirt Cup full and/ or clogged.

- 2. Empty dirt cup - Pg.9.

3. Broken or worn belt.

- 3. Replace belt - Pg.12.

4. Brushroll and/ or hose clogged.

- 4. Check hose. Check brushroll - Pg.11.

5. Automatic brushroll shut-off engaged.

- 5. Press brushroll ON/OFF switch twice.

### **Dust escaping from vacuum**

1. Dirt cup full.

- 1. Empty dirt cup - Pg. 9.

2. Dirt cup not installed correctly.

- 2. Review dirt cup removal & replacement - Pg. 9.

3. Hose not installed correctly.

- 3. Review hose installation - Pg. 11.

4. Rinsable and/ or filter made with HEPA media not installed completely.

- 4. Review filter removal and cleaning - Pg. 9-10.

### **Brushroll will not turn**

1. Brushroll switch is off

- 1. Press the brushroll on/off switch - Pg 6

2. Brushroll is clogged.

- 2. Clear/ remove debris from brushroll - Pg 11

#### **Warning**

This content is compiled from multiple sources and is provided for reference purposes only. It may not be complete or fully applicable to all situations. If you are unable to resolve your issue, please contact the product manufacturer or an authorized service provider for official support.

