



INSTALLATION INSTRUCTIONS

ELECTRICAL REQUIREMENTS

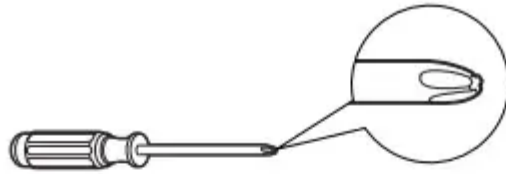
	Some models require a 115/120-volt AC, 60-Hz grounded outlet protected with a 15-amp time-delay fuse or circuit breaker.
---	--

The 3-prong grounding plug minimizes the possibility of electric shock hazard. If the wall outlet you plan to use is only a 2-prong outlet, it is your responsibility to have it replaced with a properly grounded 3-prong wall outlet.

	Some models require 230/208-volt AC, protected with a time-delay fuse or circuit breaker. These models should be installed on their own single branch circuit for best performance and to prevent overloading house or apartment wiring circuits, which could cause a possible fire hazard from overheating wires.
--	--

TOOLS YOU WILL NEED





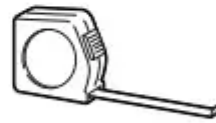
Phillips head screwdriver



Flat-blade screwdriver



Pencil



Ruler or tape measure



Level

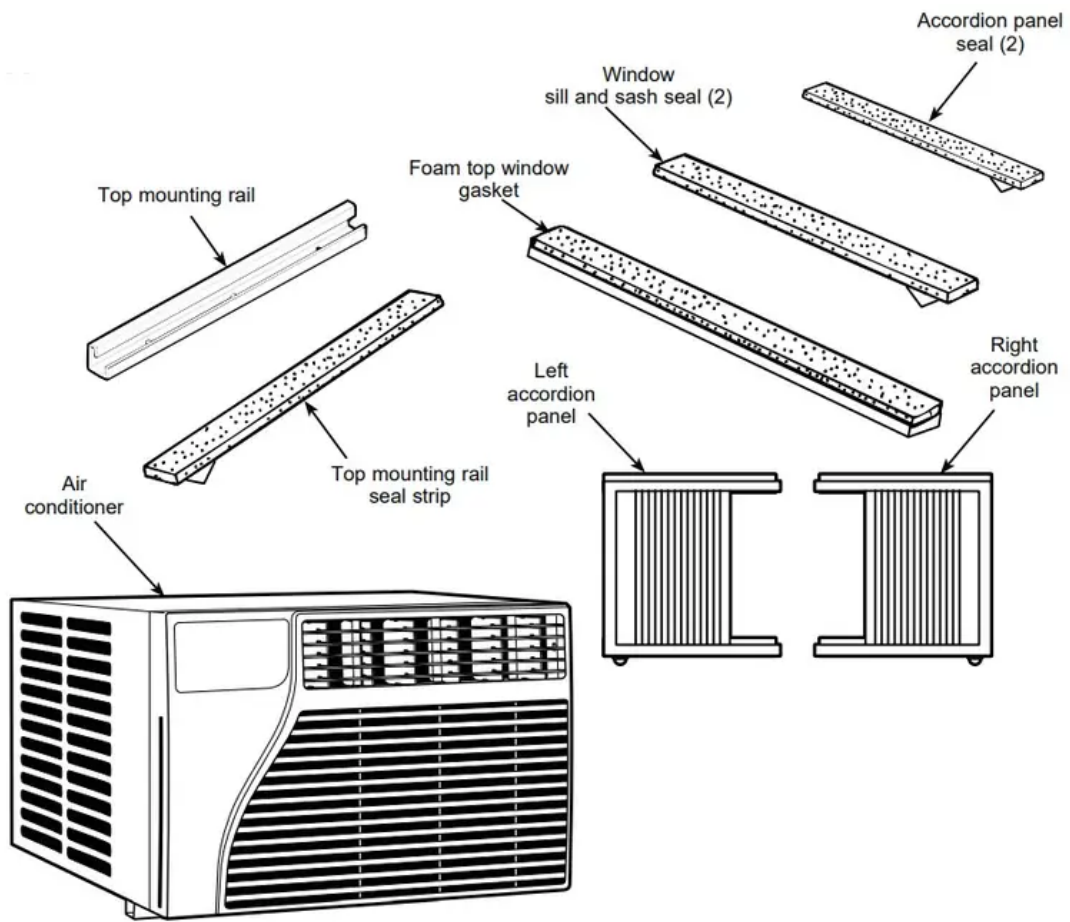


Scissors or knife

Power cord includes a current interrupter device. A test and reset button is provided on the plug case. The device should be tested on a periodic basis by first pressing the TEST button and then the RESET button while plugged into the outlet. If the TEST button does not trip or if the RESET button will not stay engaged, discontinue use of the air conditioner and contact a qualified service technician.

PARTS INCLUDED (Appearance may vary)





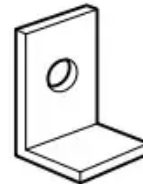
Type A (4)



Type B (6)

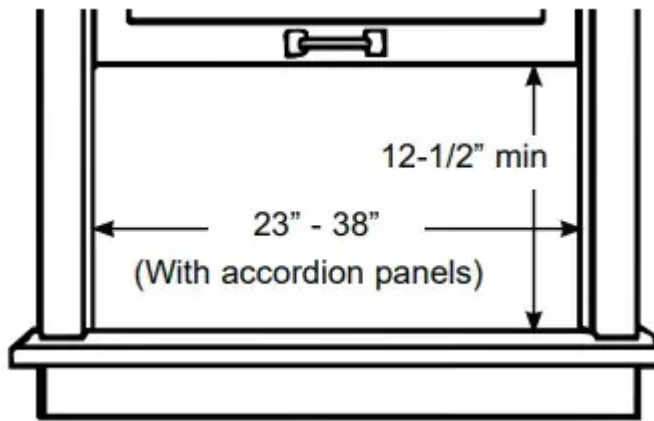


Window locking bracket (1)



1. WINDOW REQUIREMENTS

- These instructions are for a standard double-hung window. You will need to modify them for other types of windows.
- The air conditioner can be installed without the accordion panels if needed to fit in a narrow window. See the window opening dimensions.
- All supporting parts must be secured to firm wood, masonry or metal.
- The electrical outlet must be within reach of the power cord.
- Follow the dimensions in the table and illustration for your model.



2. STORM WINDOW REQUIREMENTS

A storm window frame will not allow the air conditioner to tilt toward the outside, and will keep it from draining properly. To adjust for this, attach a piece of wood to the sill.

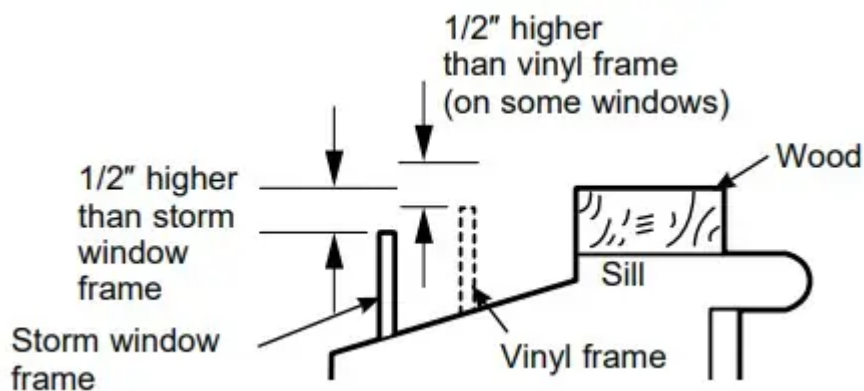
WOOD PIECES

WIDTH: 2"

LENGTH: Long enough to fit inside the window frame.

THICKNESS: To determine the thickness, place a piece of wood on the sill to make it 1/2" higher than the top of the storm window frame or the vinyl frame.

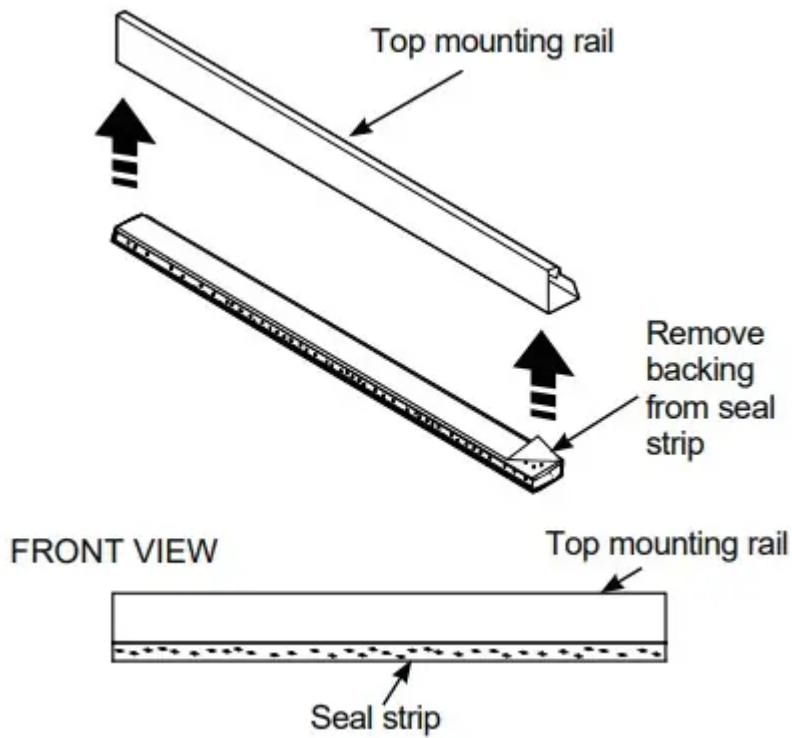
Attach securely with nails or screws provided by the installer.



3. ATTACH THE TOP MOUNTING RAIL SEAL STRIP

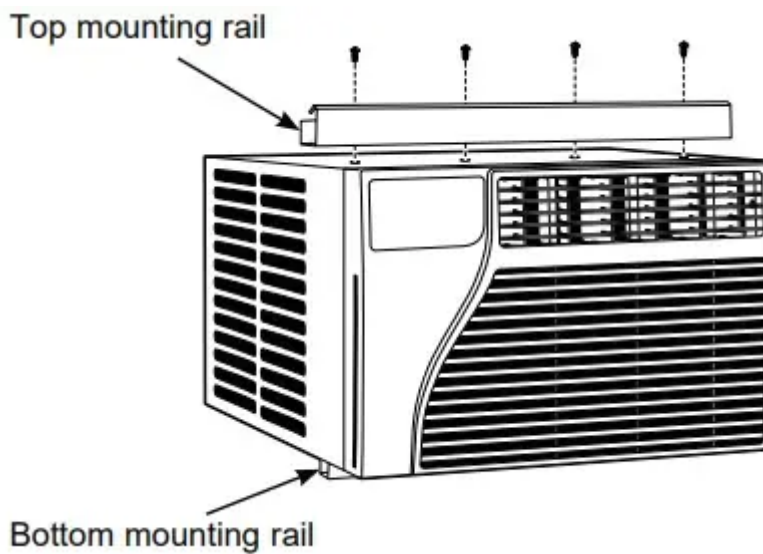
(Some models may have the seal strip already attached to the top mounting rail. If applicable, skip this step.)

Remove the backing from the top mounting rail seal strip and attach the seal strip to the bottom of the top mounting rail, along the front edge.

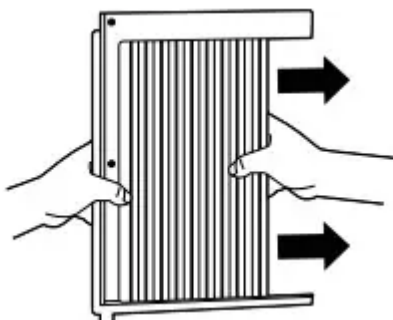


4. PREPARE THE AIR CONDITIONER

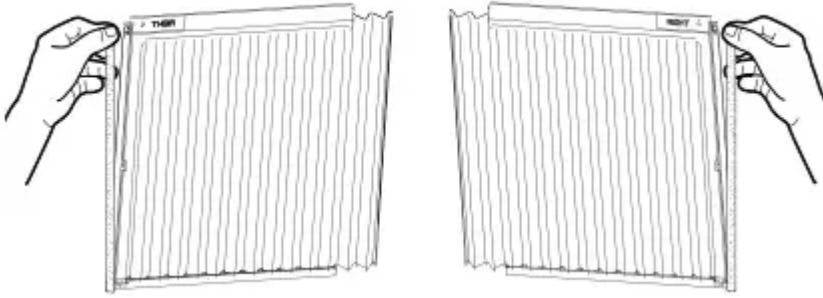
A. Install the top mounting rail with 4 Type A screws from the outside of the case.



B. Hold the accordion panel in one hand and gently pull back to free the open end.

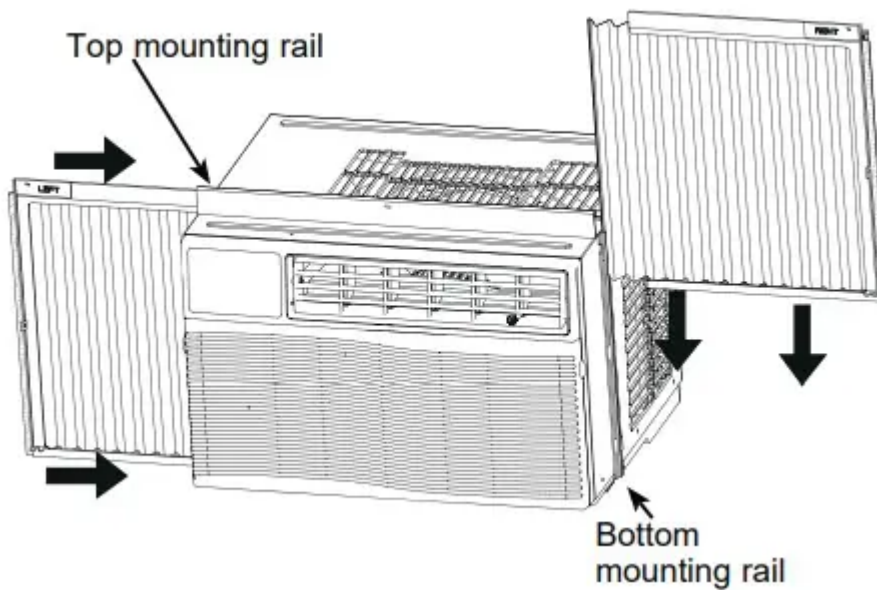


C. Remove the backing from the accordion seal (two short strips). Stick one sealing strip respectively on the left side and right side of the accordion panels, as shown.

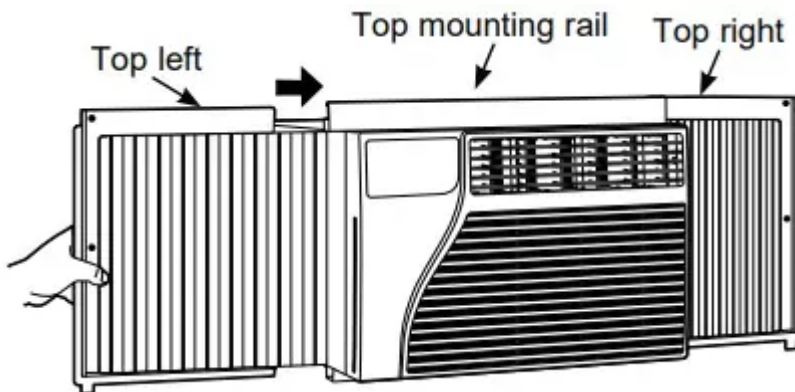


D. Slide the free end of the accordion panel into the side panel rails. Slide the panel down. Be sure to leave enough space to slip the top and bottom of the frame into the rails on the cabinet.

NOTE: There is a right and a left accordion panel. Be sure to use the proper panel for each side.

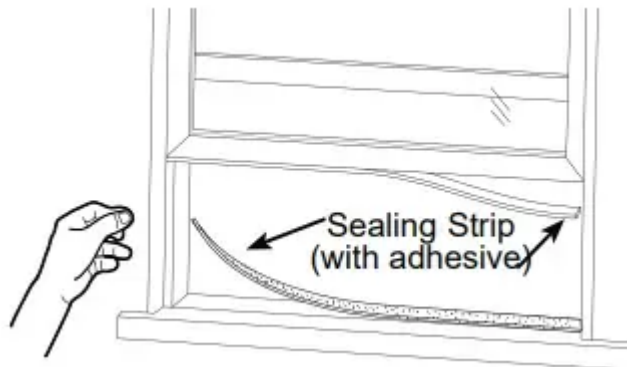


E. Slide the left and right accordion panels into the top and bottom mounting rails.



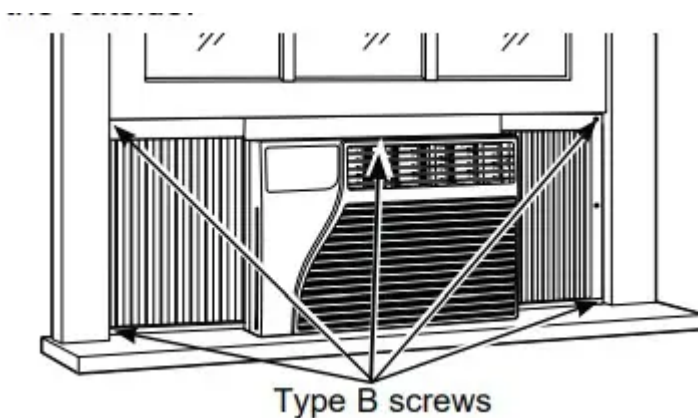
5 PREPARE THE WINDOW

Cut the window seal (2 long strips) to the proper length. Peel off the backing and attach the seal to the underside of the window sash.



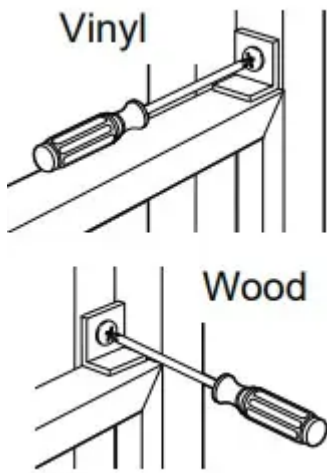

6. INSTALL THE AIR CONDITIONER IN THE WINDOW

A. Place the air conditioner on the sill with the bottom mounting rail against its back edge. Center it and close the window securely behind the top mounting rail. It should be level or slightly tilted to the outside. Use a level; about a 1/3 bubble will be the correct case slant to the outside.



B. Extend the left and right accordion panels to the vertical window sashes and attach, through the holes in the panels, with 5 Type B screws, as appropriate.

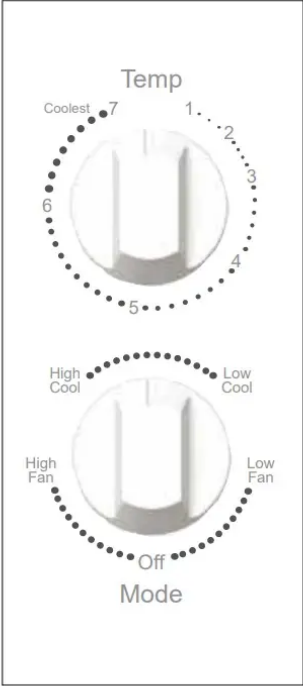
7. INSTALL SUPPORT BRACKET AND FOAM TOP WINDOW GASKET

<p>A. CAUTION: To prevent broken glass or damage to windows, on vinyl or other similarly constructed windows, attach the window locking bracket to the window side jamb with one Type B screw.</p> <p>B. Cut the foam top window gasket to the window width.</p>	
<p>C. Stuff the foam between the glass and the window to prevent air and insects from getting into the room.</p> <p>NOTE: If the gasket supplied does not fit your window, obtain appropriate material locally to provide a proper installation seal.</p>	

USING THE AIR CONDITIONER

Controls

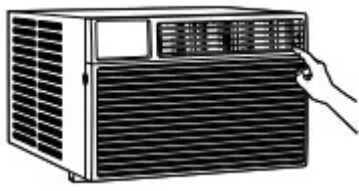
Features and appearance will vary.

<p>2 TEMPERATURE CONTROL</p>  <p>7 MODE CONTROL</p>	<p>1. Mode Control</p> <p>High Cool and Low Cool provide cooling with different fan speeds.</p> <p>Fan settings provide air circulation and filtering without cooling.</p> <p>NOTE: If you move the mode control from a cool setting to OFF or to a fan setting, wait at least 3 minutes before switching back to a cool setting.</p> <p>Cooling Descriptions</p> <p>For Normal Cooling—Select High Cool or Low Cool with the TEMPERATURE control at midpoint.</p> <p>For Maximum Cooling—Select High Cool with the TEMPERATURE control at the highest number available on your knob.</p> <p>For Quieter and Nighttime Cooling—Select Low Cool with the TEMPERATURE control at midpoint.</p> <p>2. TEMP Control</p> <p>The TEMP control is used to maintain the room temperature. The compressor will cycle on and off to keep the room at the same level of comfort. When you turn the knob to a higher number, the indoor air will become cooler. Turn the knob to a lower number and the indoor air will become warmer.</p>
--	---

Do Not Operate in Freezing Outdoor Conditions

This cool-only air conditioner was not designed for freezing outdoor conditions. It must not be used in freezing outdoor conditions.

Air Direction

<p>Use the lever to adjust the air direction left and right only.</p>	
---	--



CARE AND CLEANING

Grille and Case

Turn the air conditioner off and remove the plug from the wall outlet before cleaning.

To clean, use water and a mild detergent. Do not use bleach or abrasives.

Air Filter

The air filter behind the front grille should be checked and cleaned at least every 30 days or more often if necessary.

To remove:

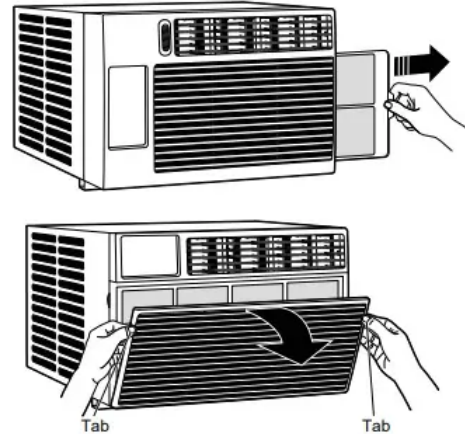
Pull the tab on the right side of the unit until the filter is out.

To remove:

Open the inlet grille by pulling downward on the tabs at the top upper corners of the inlet grille until the grille is in a 45° position.

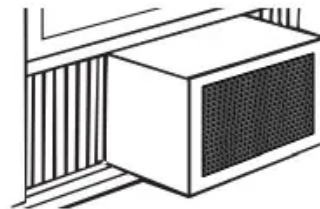
Remove the filter.

Clean the filter with warm, soapy water. Rinse and let the filter dry before replacing it. Your filter is also dishwasher safe, top rack and straight placement in dishwasher is recommended.



Outdoor Coils

The coils on the outdoor side of the air conditioner should be checked regularly. If they are clogged with dirt or soot, they may be professionally cleaned.



How to Insert the Batteries in the Remote Control

1. Remove the battery cover by sliding it according to the arrow direction.
2. Insert new batteries, making sure that the (+) and (-) of battery are installed correctly.

3. Reattach the cover by sliding it back into position.



TROUBLESHOOTING



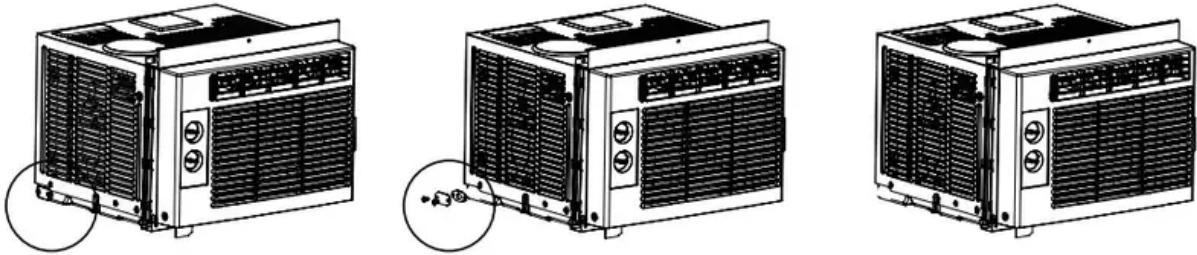
Problem	Possible Causes	What To Do
Air conditioner does not start	The air conditioner is unplugged.	Make sure the air conditioner plug is pushed completely into the outlet.
	The fuse is blown/circuit breaker is tripped.	Check the house fuse/circuit breaker box and replace the fuse or reset the breaker.
	Power failure.	The unit will automatically restart in the settings last used after the power is restored
		There is a protective time delay (approximately 3 minutes) to prevent tripping of the compressor overload. For this reason, the unit may not start normal cooling for 3 minutes after it is turned back on.
	The current interrupter device is tripped.	Press the RESET button located on the power cord plug.
If the RESET button will not stay engaged, discontinue use of the air conditioner and contact a qualified service technician.		
Air conditioner does not cool as it should	Airflow is restricted.	Make sure there are no curtains, blinds or furniture blocking the front of the air conditioner.
	The temp control may not be set correctly.	On models with touch pads: In the Cool mode, press the Decrease – pad.
		On models with control knobs, turn the temperature knob to a higher number.
	The air filter is dirty.	Clean the filter at least every 30 days. See the Care and Cleaning section.
	The room may have been hot.	When the air conditioner is first turned on, you need to allow time for the room to cool down
	Cold air is escaping.	

Problem	Possible Causes	What To Do
		Check for open furnace registers and cold air returns.
	Cooling coils have iced up.	See "Air conditioner freezing up" below.
Air conditioner freezing up	Ice blocks the air flow and stops the air conditioner from cooling the room.	On models with control knobs, set the mode control at High Fan or High Cool with the Temp at 1 or 2.
		On models with touch pads, set the controls at High Fan or High Cool and set the thermostat to a higher temperature.
The remote control is not working	The batteries are inserted incorrectly.	Check the position of the batteries. They should be inserted in the opposite (+) and (-) direction.
	The batteries may be dead.	Replace the batteries.
Water drips outside	Hot, humid weather.	This is normal.
Water drips indoors	The air conditioner is not tilted to the outside.	For proper water disposal, make sure the air conditioner slants slightly from the case front to the rear.
Water collects in base pan	Moisture removed from air and drains into base pan.	This is normal for a short period in areas with little humidity; normal for a longer period in very humid areas.

Normal Operating Sounds

- You may hear a pinging noise caused by water being picked up and thrown against the condenser on rainy days or when the humidity is high. This design feature helps remove moisture and improve efficiency.
- You may hear the thermostat click when the compressor cycles on and off.
- Water will collect in the base pan during high humidity or on rainy days. The water may overflow and drip from the outdoor side of the unit.
- The fan may run even when the compressor does not.

- Water droplets being thrown against the outside coils can make a pinging noise. This helps cool the condenser. You can reduce this noise by removing the side-base water hole seal by removing 2 screws, then hole seal. Removing this seal will lower the Energy Efficiency of your unit. NOTE: Do not drill hole in the base pan.



Warning

This content is compiled from multiple sources and is provided for reference purposes only. It may not be complete or fully applicable to all situations. If you are unable to resolve your issue, please contact the product manufacturer or an authorized service provider for official support.