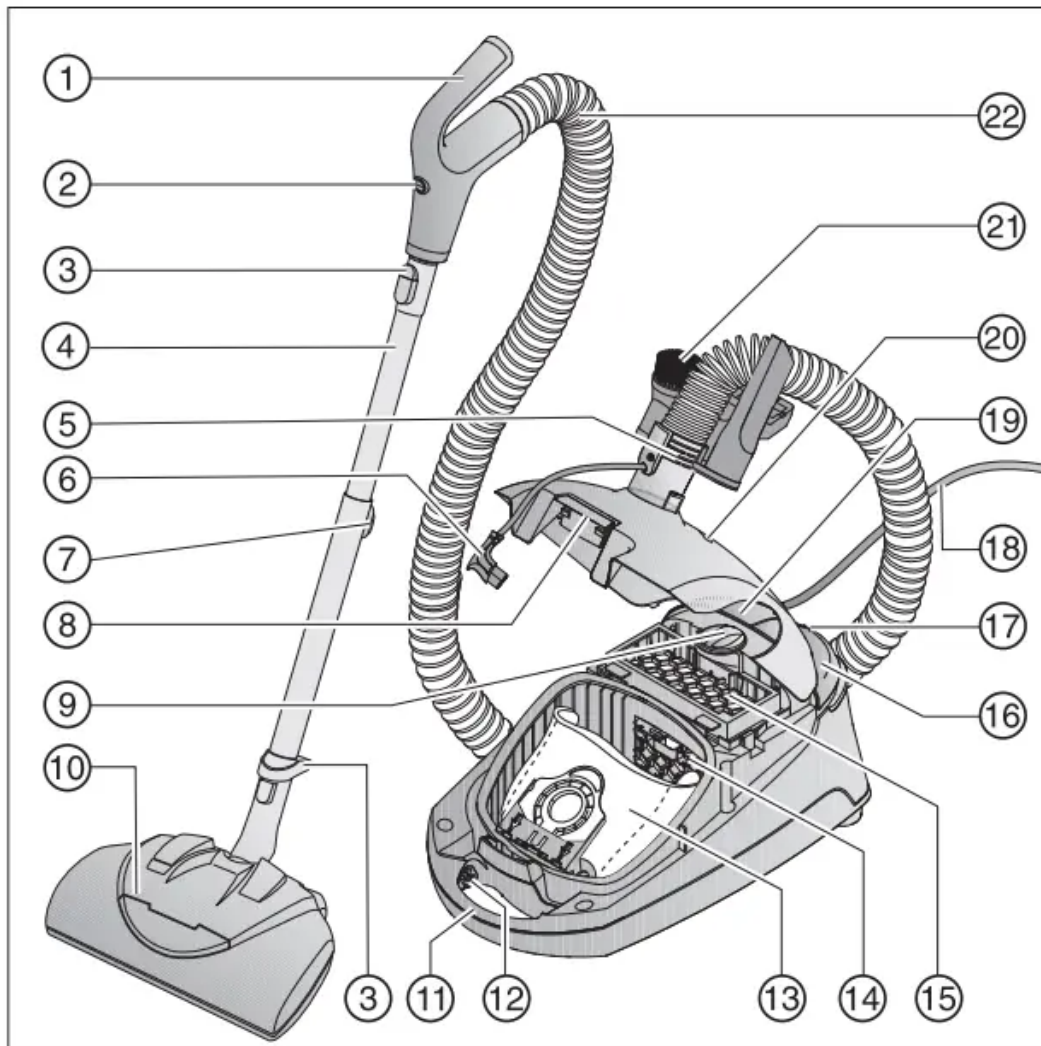


## Operating Instructions

### Guide to the vacuum cleaner

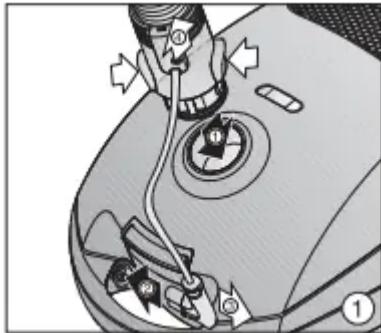


1. Hand piece
2. On/Off switch for the Powerbrush
3. Lock release button
4. Electro Telescopic wand SET 220
5. Elbow
6. Plug for Electro-accessories
7. Electro Telescopic wand release button
8. Dust compartment lid release
9. Suction power selector

10. Powerbrush SEB 217-3 / EB02 (not shown in these Operating Instructions) /SEB 228 / EB03A separate Operating manual for the respective accessory is supplied with the vacuum.
11. Carrying handle
12. Socket for Electro-accessories
13. FilterBag
14. Dust compartment filter (pre-motor filter)
15. Exhaust filter
16. On/Off ① foot switch
17. Park-system
18. Power cord
19. Cord rewind switch
20. Airflow indicator
21. Accessory clip with three tools
22. Suction hose SES 116

## Before using the vacuum cleaner

### Connecting the Electro hose (see fig. 1)

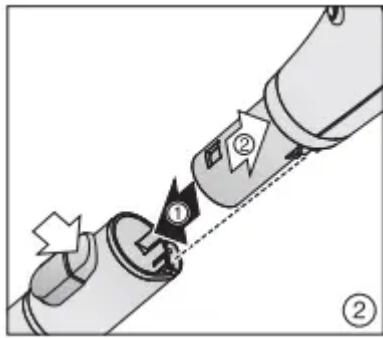


1. Insert the elbow into the suction socket until it clicks into place.
2. Insert the plug into the socket on the inside of the carrying handle.

### Disconnecting the Electro hose

3. Remove the plug from the socket.
4. Press the two release buttons at the sides of the elbow and lift the hose from the socket.

### Connecting the hand piece and the Electro Telescopic wand (see fig. 2)



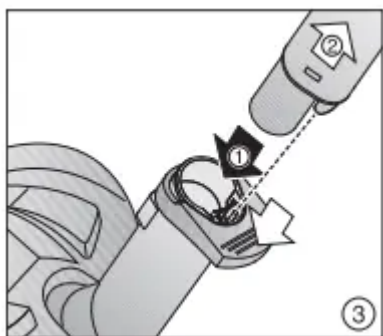
1. Insert the hand piece into the electro telescopic wand until it clicks into place. Use the inlet guides to direct insertion.
2. To release the hand piece from the telescopic wand press the locking button (see arrow) and pull the hand piece away from the telescopic wand. Using the Powerbrush Observe the cleaning instructions of the floor manufacturer.

The Powerbrush is particularly suitable for cleaning and restoring crushed carpet pile of wall to wall carpeting and floor coverings subject to hard wear, especially in high traffic areas. The Powerbrush can also be used on smooth floor surfaces.

**Do not use the powerbrush on:**

- (SEB 217-3 only) Floors with a variable or uneven surface. The brush could come into contact with the floor and cause damage.
- High quality, hand knotted rugs, for example Berber or Persian rugs, as well as extremely long piled area rugs and carpets. There is a danger of the threads being pulled out. Turn the Powerbrush off to vacuum these types of floor coverings and use only suction.

**Connecting the Powerbrush to the Electro Telescopic wand (see fig. 3)**



1. Insert the Electro Telescopic wand into the Powerbrush until it clicks into place.
2. To release the parts, press the lock release button and pull the wand up and out.

For more information on use and care please refer to the instructions supplied with the Powerbrush.

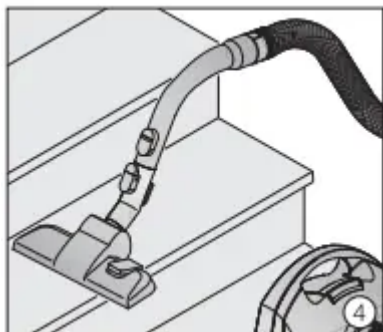


### Using the standard floor brush(depending on model)

Observe the cleaning instructions of the floor manufacturer.

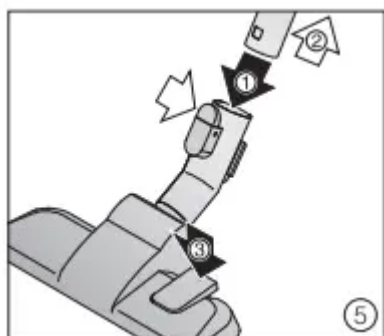
The floor brush is suitable for cleaning carpets, rugs, carpeted stairs and hard surfaces that are not susceptible to scratching.


It is also suitable for vacuuming stairs(see fig. 4).



**WARNING** For your own safety, always vacuum stairs from bottom to top.

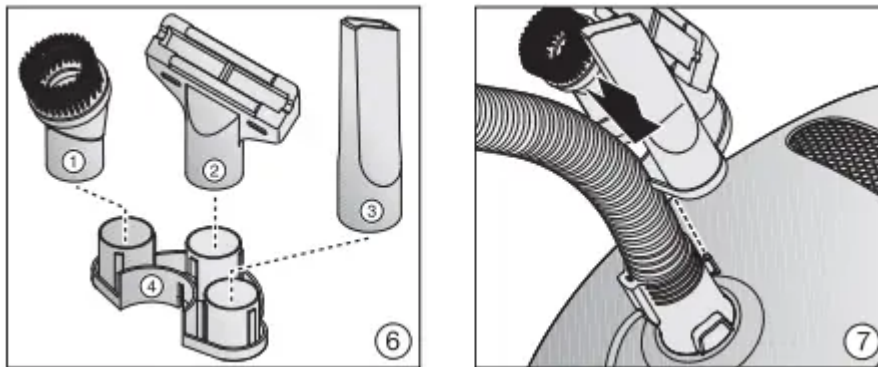
### Connecting and adjusting the floor brush (see fig. 5)(dependig on model)



1. Place the floor brush into the suction hose and twist until it clicks into place.
2. To separate the parts, press the locking button.
3. To clean carpets and area rugs, press the foot switch , to clean hard flooring, press the foot switch .

Always use the floor brush with the bristles raised to clean floors with very deep joints or gaps.

## Included accessories(see fig. 6 + 7)



1. Dust brush with natural bristles
2. Upholstery tool
3. Crevice nozzle
4. Accessory clip for the included accessories

Position the accessories as indicated.

### Accessory clip

- Press onto the elbow until it clicks into place.

### Floor brush Hardfloor -3 (see fig. 8)(depending on model)



To vacuum sturdy hard floors, e.g. tiles and stone floors.

### Floor brush Parquet -3 (see fig. 8)(depending on model)

Special brush with natural bristles intended for cleaning parquet and laminate floors, especially those susceptible to scratching.

## Use

### Power cord

WARNING

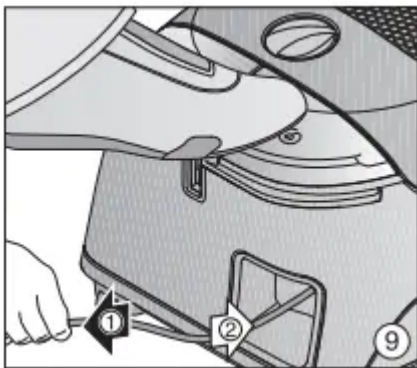
Unwind the cord completely to aid the vacuum in dissipating heat.

Do not pull or carry by the cord, use the cord as a handle, close a door on the cord, or pull the cord around sharp edges or corners. Do not run the appliance over the cord. Keep the cord away from heated surfaces.

Do not unplug by pulling the cord. To unplug grasp the plug, not the cord.

This appliance is equipped with a power cord reel. Hold the plug when rewinding onto cord reel. Do not allow plug to whip when rewinding.

### Unwinding / Rewinding (see fig. 9)



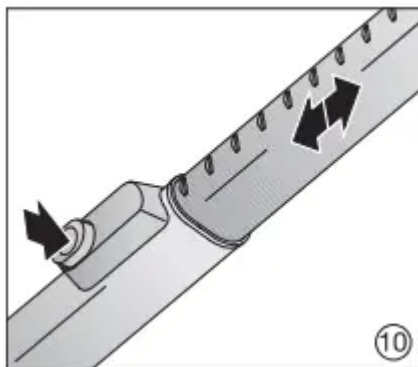
1. Hold the plug and pull out the power cord.

**WARNING** To reduce the risk of electric shock, the vacuum has a polarized plug (one blade is wider than the other). This plug will fit in a polarized outlet only one way. If the plug does not fit fully in the outlet, contact a qualified electrician. Do not alter the plug in any way. Danger of overheating and damage.

- Unplug the vacuum from the outlet.

2. Press the rewind switch - the power cord will rewind automatically. Hold the plug so that it does not whip around when rewinding.

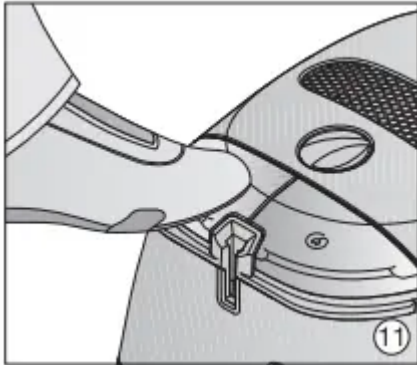
### Adjusting the Electro Telescopic suction wand (see fig. 10)



One part of the electro telescopic wand is fitted inside the other and can be adjusted to your height for comfortable vacuum cleaning.

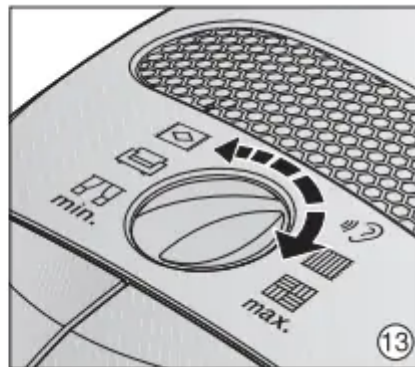
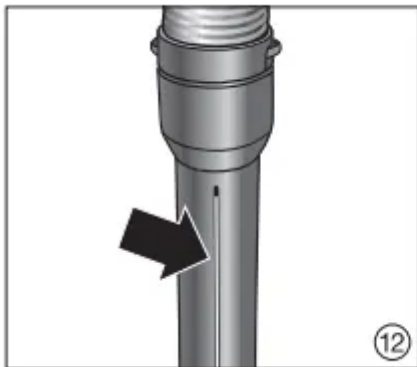
- Press the telescopic wand release button to release the tubes and adjust to the desired height.

#### Turning the vacuum On/Off (see fig. 11)



- Press the On/Off foot switch .

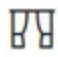





#### Adjusting the suction (see fig. 12 + 13)



**WARNING** To prevent static electricity your hand must touch the metal inlay on the underside of the vacuum hand piece. Be certain to continuously touch this inlay when vacuuming fine dust, flour or sawdust as these materials are more likely to create a static discharge. To further prevent static discharge while vacuuming, pull the vacuum along by the hose with one hand while continuing to hold the hand piece in the other hand.

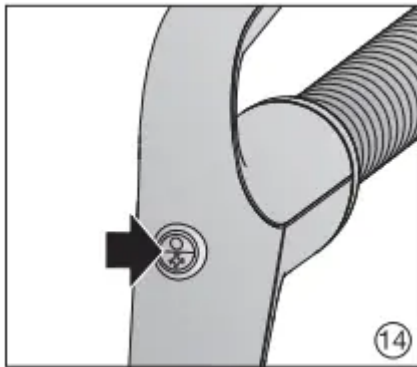
You can adjust the suction power to suit the type of flooring. By reducing the suction power the floor brush can be pushed easier.

The symbols on the controls indicate the type of use the settings are suitable

-  curtains, lightweight fabrics
-  upholstery, cushions
-  thick pile carpets, rugs and runners
-  energy saving, daily vacuuming with low noise level
-  low pile carpets
-  hard flooring and intensive cleaning of carpets

- Turn the suction power selector to the desired setting.

### Turning the Powerbrush On/Off (see fig. 14)

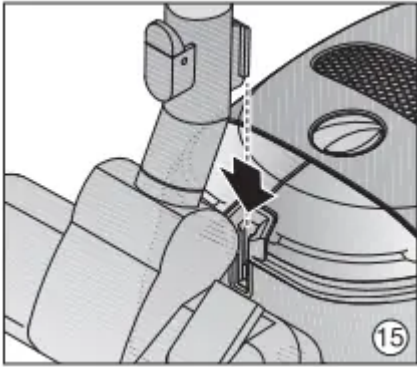


The Powerbrush is turned on and off separately from the vacuum using the hand piece.

The button allows you to turn off the Powerbrush, e.g. when moving from wall-to-wall carpeting to a persian rug.

## Parking, transport and storage

### Park system (see fig. 15)



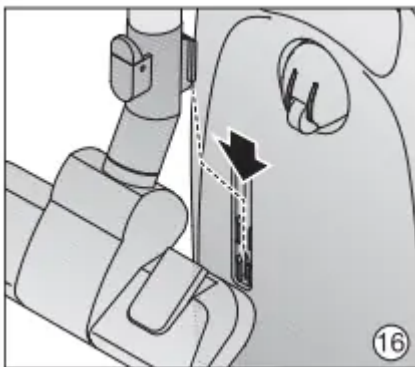
(Cannot be used with the PowerbrushSEB 228 / EB03.)

The Park system allows you to conveniently park the telescopic wand on the vacuum cleaner during brief pauses.

- Insert the lower clip on the floor brush into the slot on the end of the vacuum cleaner from above.

When vacuuming on a sloping surface, e.g. on a ramp, push all telescopic tubing parts completely together.

### **Transport and storage (see fig. 16)**



- For easier transportation and storage stand the vacuum cleaner vertically.
- Insert the parking clip attachment on the floor tool or floor brush into the parking slot from above (does not apply to Powerbrush SEB 228 / EB03).
- To save space, completely collapse the tubes in the telescopic wand.

## **Maintenance and care**

The Miele filter system consists of the following three components.

- FilterBag
- Exhaust filter

- Dust compartment filter

Each of these components must be changed periodically to maintain the vacuum cleaner's efficiency.

Only use Miele FilterBags, filters and accessories with the "Original Miele" logo. Only then can the suction power of the vacuum cleaner reach its optimum potential creating the best possible cleaning results.

### **Purchasing new FilterBags and filters**

Original Miele FilterBags and filters can be purchased from an authorized Miele vacuum dealer or by visiting the Miele store

### **Which FilterBags and filters are the right ones?**

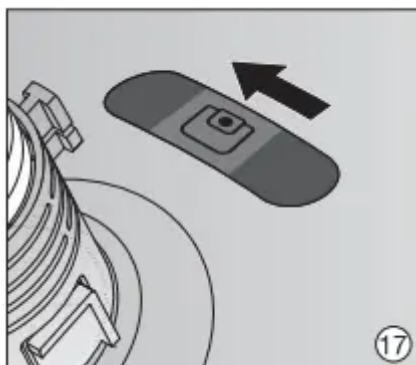
This vacuum cleaner uses Original Miele FilterBags Type G/N and an Original Miele filters, the "Original Miele" Logo will appear on the packaging or directly on the FilterBag.



An "AirClean" exhaust filter and a dust compartment filter are supplied with every box of Miele FilterBags. If you would like to purchase additional Miele filters separately, contact your vacuum dealer or Miele, please quote the model number of your Miele vacuum cleaner to ensure correct parts are ordered. These parts are also available to order from the online Miele store.

The exhaust filter supplied with the vacuum cleaner can be exchanged with another type of Original Miele filter (see "Exchanging exhaust filters").

### **When to change the FilterBag (see fig. 17)**



Change the FilterBag when the colored marker in the airflow indicator fills the display.

Miele FilterBags are disposable and made to be used only once. Do not attempt to reuse.

### Checking the airflow indicator

- Attach the standard floor brush (depending on model) to the vacuum cleaner. Perform this test with the floor brush only, other attachments can affect the function of the airflow indicator.
- Turn the vacuum cleaner on and select the highest power setting.
- Lift the floor brush slightly off the floor. If the marker completely fills the indicator window, the FilterBag needs to be changed.

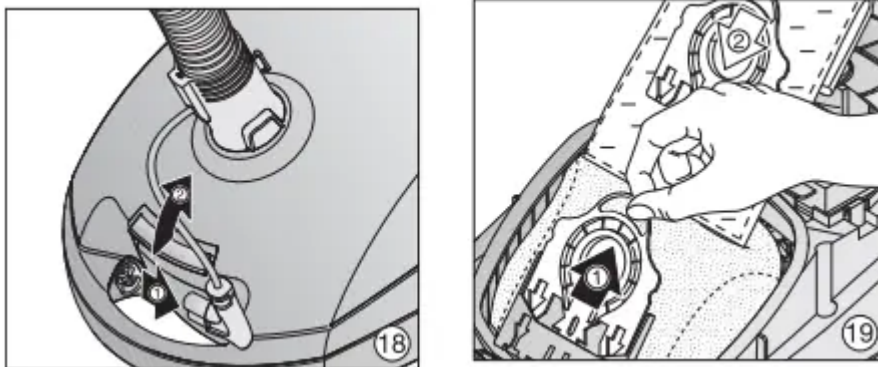
### How the airflow indicator works

The airflow indicator is designed to show when the bag is full of common household dust and measures the amount of air flow through the FilterBag. Normal household dust is a mixture of dust, hair, carpet fluff, threads, sand, etc.

However, if fine dust, such as drill dust, sand, plaster or flour is vacuumed, the pores of the FilterBag may become blocked. The marker will indicate that the bag is "full" even when it is not. The FilterBag should be changed as the suction power is greatly reduced.

If the bag is bulging with pet fur, hair, carpet fluff, etc. the indicator may not register "full". This is because the air flow of the FilterBag may still be high enough not to activate the marker to show maximum. The FilterBag should still be changed.

### Replacing the FilterBag (see fig. 18 +19)



1. Pull the plug from the socket
2. Open the dust compartment lid and raise until it clicks into place.

The FilterBag has a closing flap which closes automatically when the dust compartment lid is raised to prevent any dust from escaping.

1. Grasp the finger grip and pull the FilterBag out of the holder.

2. Insert the new FilterBag as far as it will go into the FilterBag holder. Do not unfold the FilterBag when taking it out of the box.

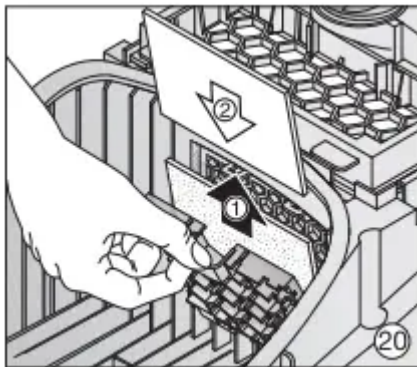
- Unfold the FilterBag in the dust compartment.
- Close the dust compartment lid until it clicks into place. Take care not to jam the FilterBag in the lid.

**WARNING** An empty-operation-barrier blocks the dust compartment lid from closing if no FilterBag is inserted. Do not force it closed.

### **When to change the dust compartment filter (Pre-motor filter)**

Change the filter each time you open a new box of genuine Miele FilterBags. A dust compartment filter is supplied with each box.

### **Replacing the dust compartment filter (Pre-motor filter) (see fig. 20)**

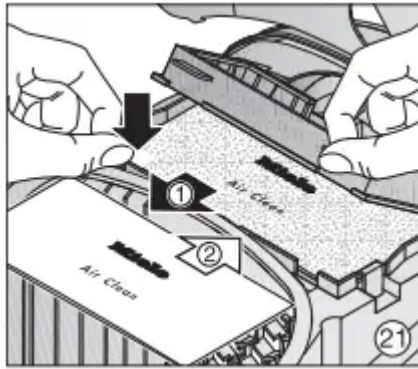


- Open the dust compartment lid.
- Open the filter frame, remove the old filter, and insert a new filter.
- Close the filter frame.
- Close the dust compartment lid.

### **When to replace the AirClean exhaust filter**

Each time a new box of Miele FilterBags is opened, this filter should be changed. A new Air Clean exhaust filter is included in every box of Miele FilterBags.

### **Replacing the AirClean filter (see fig. 21)**



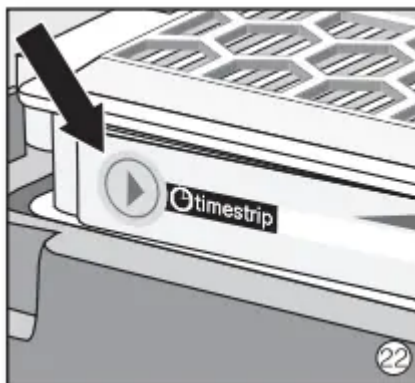
Do not use more than one filter at a time.

- Open the dust compartment lid.
1. Open the filter frame until it clicks, grasp the clean corner (see arrow) and remove the used filter.
  2. Insert the new filter.
- Close the filter frame.
  - Close the dust compartment lid.

### Exchanging exhaust filters

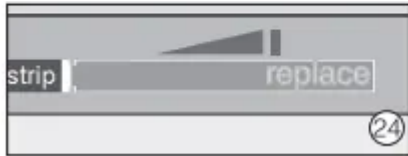
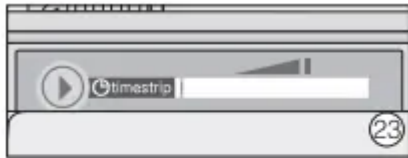
Depending on the model, there may also be an Active AirClean 30 or a HEPA AirClean 30 exhaust filter included which can be used instead of the standard AirClean exhaust filter.

In order to use the Active AirClean 30 or the HEPA AirClean 30 filter the AirClean filter and filter frame must be removed. The exhaust filter change indicator must also be activated (see fig.22).



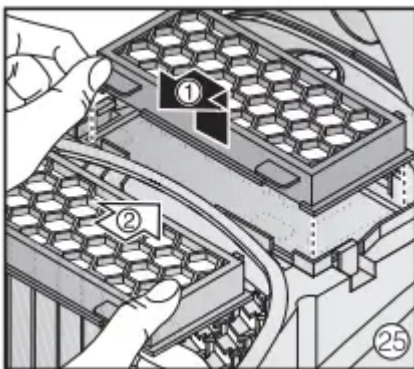
After about 10-15 seconds, a small red marker will appear in the left-hand side of the display (see fig. 23).

**When to change the Active AirClean 30 or HEPA AirClean 30 exhaust filter (see fig. 24) (depending on model)**



If the display of the exhaust filter change indicator has turned fully red. The indicator light will come on after approx. 50 hours of operation, which is equivalent to one year of average use. The vacuum cleaner can still be used however, the filter performance and suction power will be reduced.

**Replacing the Active AirClean 30 or HEPA AirClean 30 exhaust filter (see fig. 25)** (depending on model)

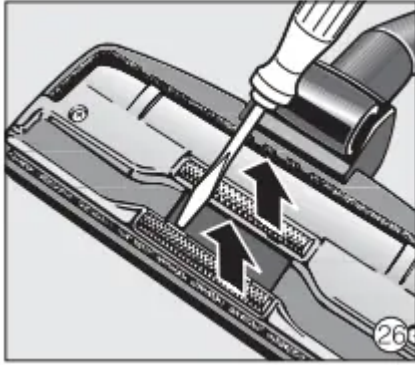


1. Remove the used exhaust filter.
2. Insert a new filter.
  - Activate the exhaust filter change indicator (see fig. 22).

**When to change the thread catcher on the standard floor brush** (depending on model)

The thread catcher on the floor brush should be replaced as soon as they appear worn.

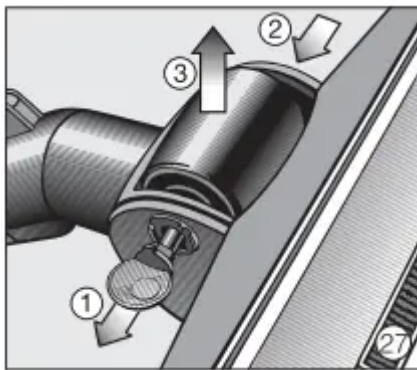
**Replacing the thread catchers (see fig. 26)** (depending on model)



- Use a screwdriver or similar object to remove the thread catchers from the slots.
- Insert the new thread catchers.

Spare parts are available from your Miele dealer or from Miele.

**Cleaning the floor roller of the floor brush AllTeQ SBD 285-3 (see fig. 27) depending on model)**



1. Unlock the roller pin with a coin.
  2. Push the pin out and remove it.
  3. Remove the roller.
- Remove any threads and hair from the roller.

Replace roller in the reverse order.

## Cleaning and care

### Vacuum cleaner and accessories

The vacuum cleaner and other plastic accessories can be cleaned with a damp cloth or a cleaner suitable for plastics.

### Dust compartment

The dust compartment can, if necessary, be cleaned using a dry cloth, dusting brush or a second vacuum to remove any dust. Monitor the airflow indicator and inspect all filters regularly. Clean or replace them when necessary according to these Operating Instructions.

## Frequently asked questions

### What if the vacuum turns off automatically?

The vacuum has overheated. The temperature limiter automatically turns the vacuum off.

This can occur if, for instance, large articles block the suction tube or when the FilterBag is full or contains particles of fine dust. A heavily soiled exhaust or dust compartment filter can also be the cause of overheating. Turn the vacuum off and pull the plug from the outlet.

Check for any blockages and allow the vacuum to cool for 30 minutes.

### After sales service

In the event of a fault which you cannot fix yourself please contact the Miele Service Department at the phone number listed on the back of this booklet.

- Please quote the model type of your appliance.

This can be found on the data plate on the bottom of the vacuum.

#### Warning

This content is compiled from multiple sources and is provided for reference purposes only. It may not be complete or fully applicable to all situations. If you are unable to resolve your issue, please contact the product manufacturer or an authorized service provider for official support.