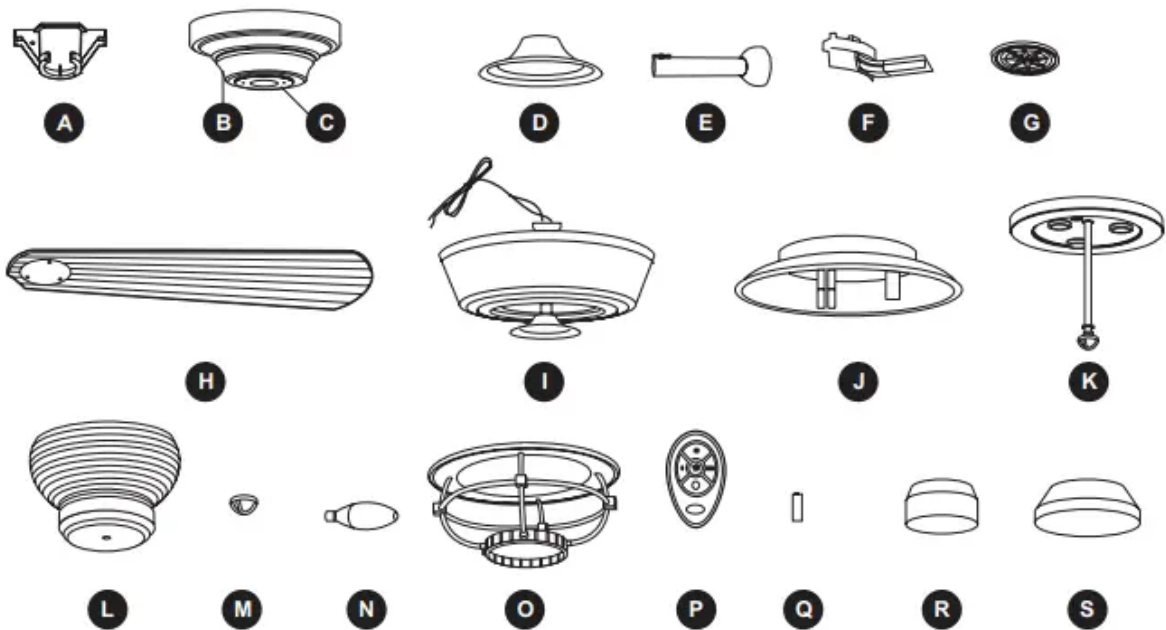


PACKAGE CONTENTS



PART	DESCRIPTION	QUANTITY
A	Mounting Bracket	1
B	Canopy	1
C	Canopy Cover (preassembled to Canopy (B))	1
D	Yoke Cover	1
E	Downrod	1
F	Blade Bracket	5
G	Blade Medallion	5
H	Blade	5
I	Motor Assembly	1
J	Light Pan	1
K	Light Kit	1
L	Glass	1
M	Finial (preassembled to Light Kit (K))	1
N	Bulb	3
O	Light Frame	1
P	Remote Control	1
Q	Battery	1
R	Adaptor Rubber Coupling	1
S	Hanger Ball Rubber Coupling	1

HARDWARE CONTENTS

AA



Wire Connector
Qty. 4

BB



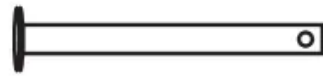
Blade Screw
Qty. 15 + 1 extra

CC



Motor Screw
(preassembled to
Motor Assembly (I))
Qty. 10 + 1 extra

DD



Downrod Pin
(preassembled to
Downrod (E))
Qty. 1

EE



Downrod Clip
(preassembled to
Downrod (E))
Qty. 1

FF



Motor Housing Set
Screw
(preassembled to
Motor Assembly (I))
Qty. 2

GG



Mounting Bracket Screw
(preassembled to
Mounting Bracket (A))
Qty. 4

HH



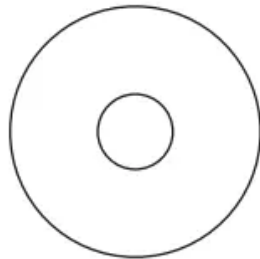
Fitter Plate Screw
(preassembled to
Motor Assembly (I))
Qty. 3

II



Light Pan Bracket
Screw
(preassembled to
Light Pan (J))
Qty. 3

JJ



Rubber Washer
(preassembled to
Light Kit (K))
Qty. 1

KK



Hex Nut
(preassembled to
Light Kit (K))
Qty. 1

LL



Closemount Screw
(preassembled to
Motor Housing (I))
Qty. 3

PREPARATION

Before beginning the assembly of this product, ensure that all parts are present. Compare all parts with the package contents list and hardware contents list. If any part is missing or damaged, do not attempt to assemble the product.

After opening the top of the carton, remove the mounting hardware package from the foam inserts, then remove the motor from the packaging and place it on a soft surface, such as a carpet, to avoid damage to the finish.


Estimated Assembly Time: 120 minutes

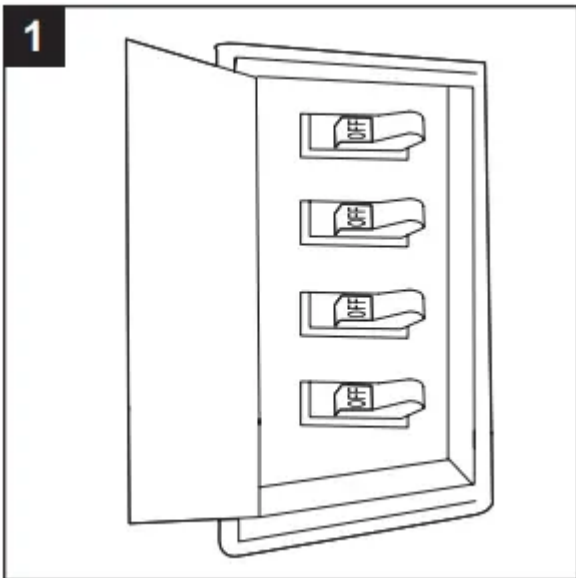
Tools Required for Assembly (not included): Electrical Tape, Phillips Screwdriver, Pliers, Safety Glasses, Step Ladder, and Wire Strippers

Helpful Tools (not included): AC Tester Light, Tape Measure, Wiring Handbook, and Wire Cutters

ASSEMBLY INSTRUCTIONS

1. Turn off the circuit breakers and the wall switch to the fan supply line leads.

 **DANGER:** Failure to disconnect the power supply prior to installation may result in serious injury or death.



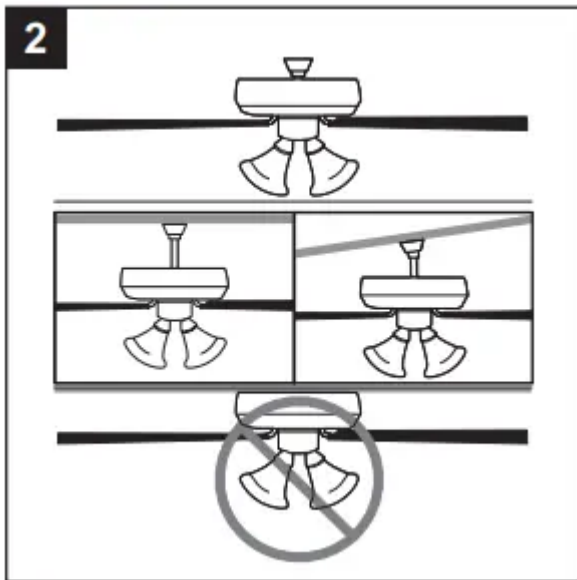
2. Determine the mounting method to use.

Note

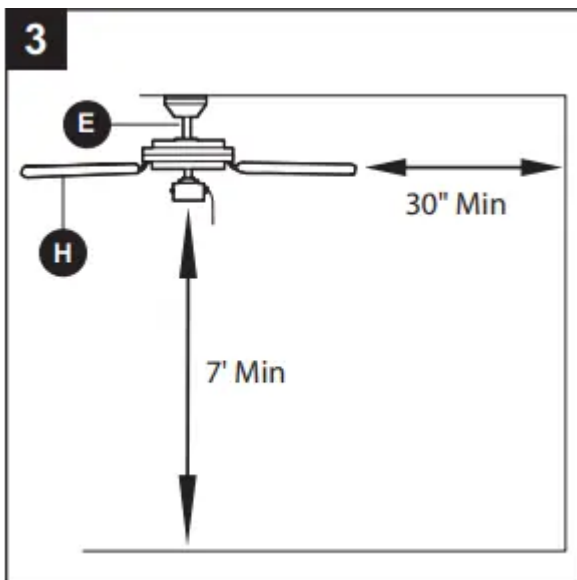
Flushmount installation is not available for this item.

Important

If using the angle mount, check to ensure the ceiling angle is not steeper than 20°.



3. Ensure that the blades (H) will be at least 30 in. from any obstructions. Also check the downrod (E) length to ensure the blades (H) will be at least 7 ft. above the floor.



4. Remove the motor screws (CC) from the underside of the motor assembly (I).

Hardware Used

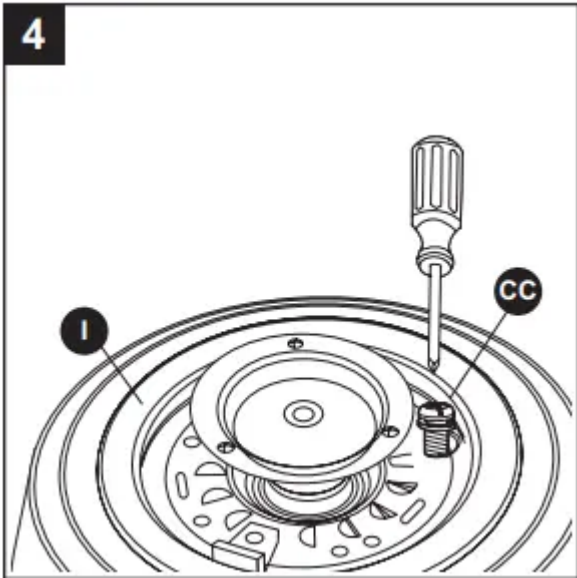


Motor Screw



x 10

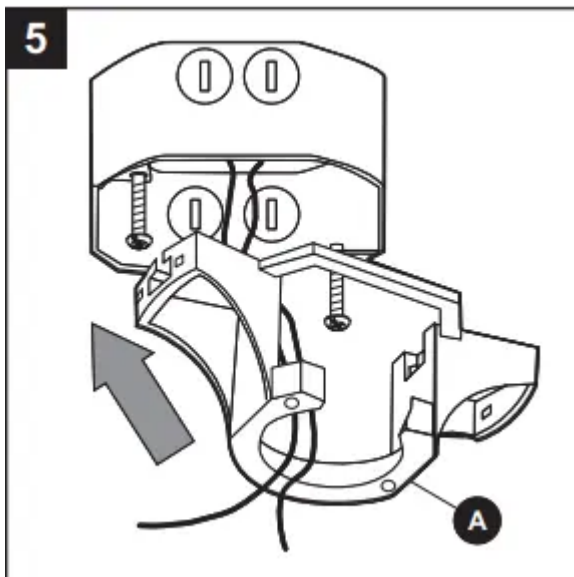




5. Install the mounting bracket (A) to the outlet box by sliding the mounting bracket (A) over the two mounting screws supplied by the outlet box. Securely tighten the mounting screws.

Important

If using the angle mount, ensure that the open end of the mounting bracket (A) is installed facing the ceiling.

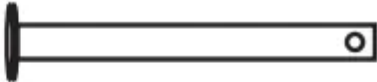


STANDARD OR ANGLE MOUNTING INSTRUCTIONS

1. Remove the downrod pin (DD) and downrod clip (EE) from the downrod (E). Then partially loosen the motor housing set screws (FF) in the yoke at the top of the motor assembly (I).

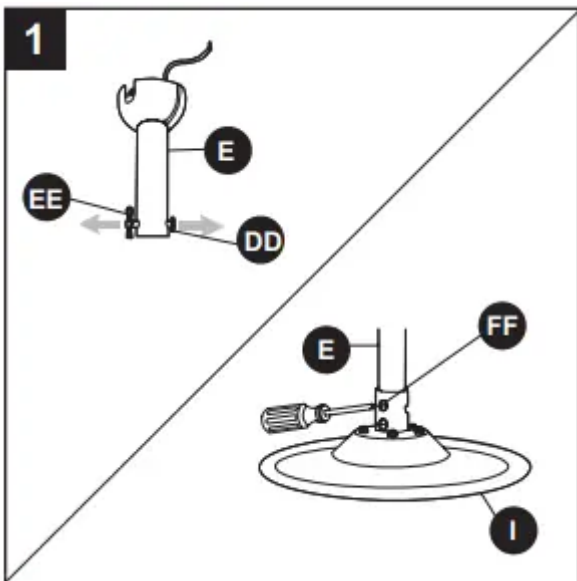
Hardware Used



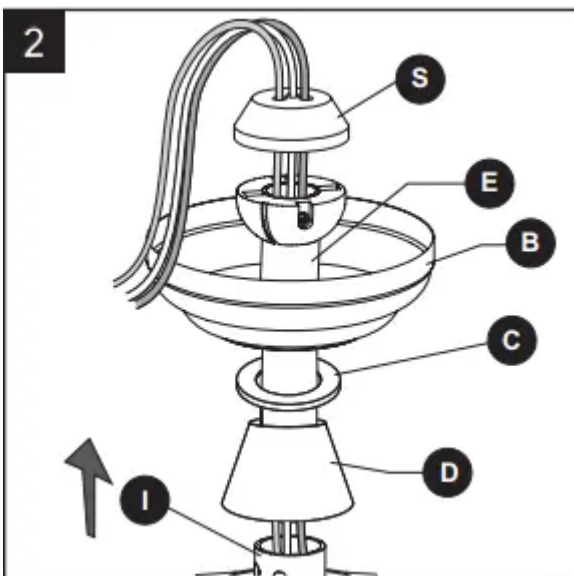
DD Downrod Pin  x 1

EE Downrod Clip  x 1

FF Motor Housing Set Screw  x 2

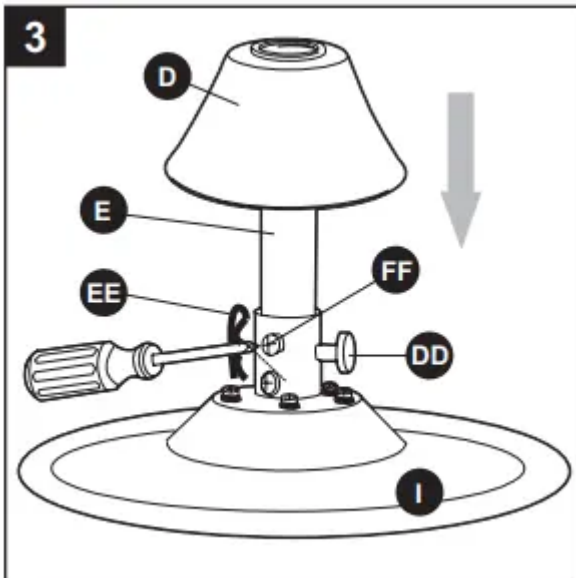
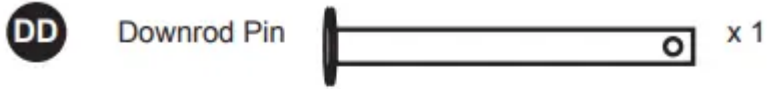


2. Insert the downrod (E) through the canopy (B), canopy cover (C), and yoke cover (D). Thread the wires from the motor housing assembly (I) up through the downrod (E) and hanger ball rubber coupling (S). This will prevent water from running through the down rod.



3. Slide the downrod (E) into the yoke of the motor assembly (I), align the holes, and re-install the downrod clip (EE) and downrod pin (DD). Then retighten the motor housing set screws (FF) and slide the yoke cover (D) down until it rests on top of the motor assembly (I)

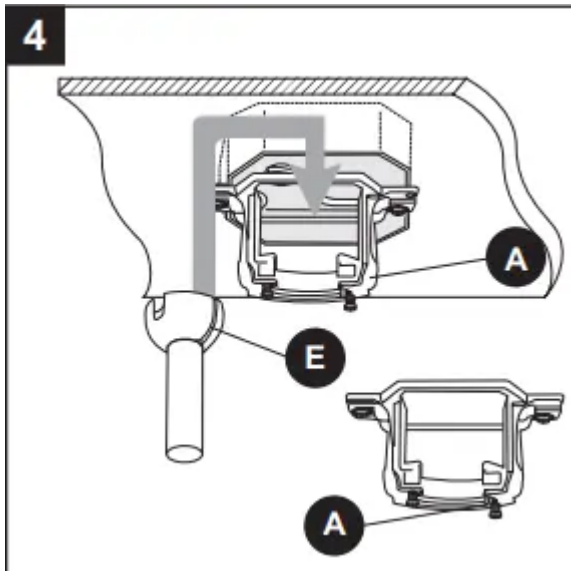
Hardware Used



4. Install the hanger ball portion on the top of the downrod (E) into the mounting bracket (A) opening. Rotate the fan until the slot on the hanger ball engages the tab on the mounting bracket (A).



WARNING: Be careful when aligning the tab to the slot! If not fully engaged, there is a possibility of the fan falling, which may result in serious injury or death. Proceed to the Wiring section of this manual.



OPERATING INSTRUCTIONS

1. Use the fan reverse switch, located on the top of the motor assembly (I), to optimize your fan for seasonal performance. A ceiling fan will allow you to raise your thermostat setting in the summer and lower your thermostat setting in the winter without feeling a difference in your comfort.

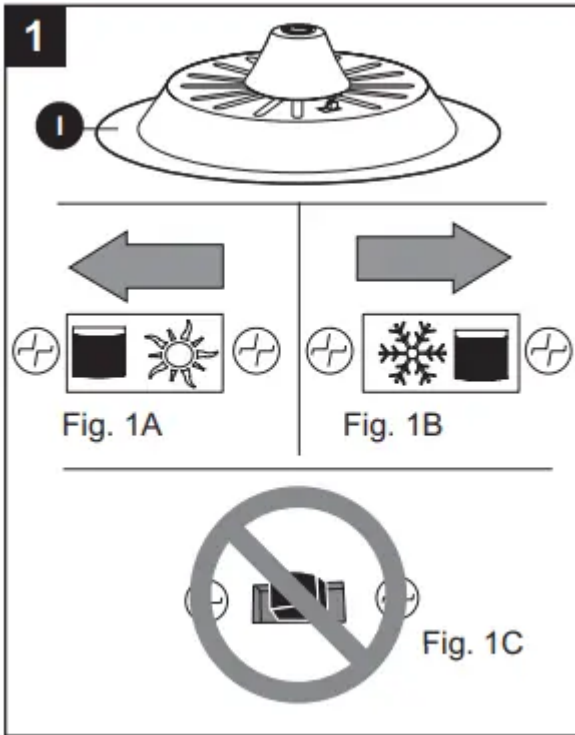
Note Wait for the fan to stop before moving the reverse switch.

1A. In warmer weather, push the reverse switch to the left to display a Sun icon, which will result in downward airflow creating a wind chill effect.

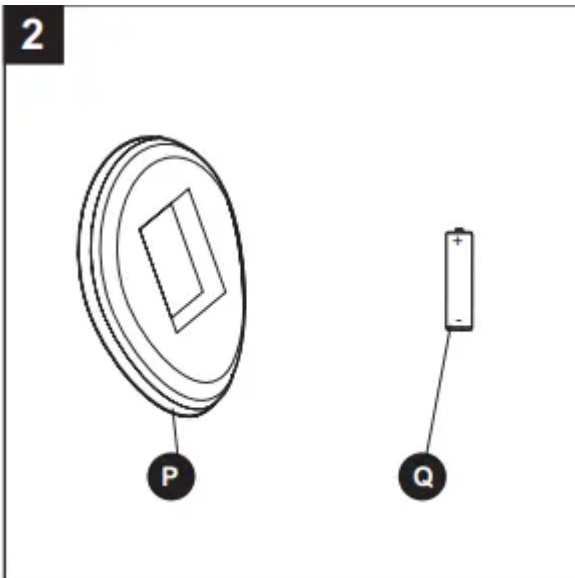
1B. In cooler weather, push the reverse switch to the right to display a Snowflake icon, which will result in upward airflow that can help move stagnant, hot air off the ceiling area.

Important The reverse switch must be set either completely to the right or to the left in order for the fan to function correctly. If the reverse switch is set in the middle position, the fan will not operate. See Fig. 1C.


Note The receiver is already wired and built into the housing of the fan at the factory. You do not need to assemble the receiver.

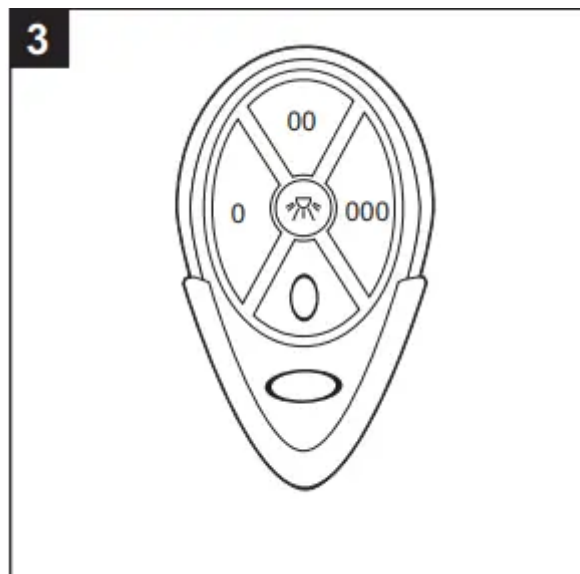


2. Installing the Battery: Remove the battery cover from the remote control (P) and install the 12 V battery (Q). Ensure the plug is fully attached to the battery (Q) and replace the battery cover.



3. Control the fan and lights.

0	Low Speed
00	Medium Speed
000	High Speed
0	Turns the fan off
	<p>Turns the fan on</p> <p>Press this button quickly to turn the lights on or off.</p> <p>To dim the lights, press and hold this button. Release the button when the light is at the desired level.</p> <p>The receiver stores the light setting when the light is turned off. When the light is turned on again, it starts with the most recent setting.</p>



4. Your remote is pre-programmed at the factory and will function correctly out of the box. However, if it does need to be re-paired to the fan, do the following: Within 30 seconds after turning the fan on, press and hold the 0 and Light button in the center of the remote control (P) at the same time for 5 seconds. The fan light will blink when the pairing is complete.

CARE AND MAINTENANCE

At least twice each year, lower the canopy to check the downrod assembly, and then tighten all screws on the fan. Clean the motor housing with only a soft brush or lint-free cloth to avoid scratching the finish. Clean the blades with a lint-free cloth. You may occasionally apply a light coat of furniture polish to wood blades for added protection.

Important Shut off the main power supply before you begin any maintenance task. Do not use water or a damp cloth to clean the fan.

TROUBLESHOOTING

The fan does not move.

- The reverse switch is not engaged.
 - Firmly push the reverse switch to either the left or right.
- The wall switch is turned off.
 - Make sure the wall switch is turned on.
- The power is off or the fuse (breaker) is blown.
 - Turn the power on or check the fuse (breaker).
- There is a faulty wire connection.
 - Turn the power off and check all connections at the ceiling outlet box.
- The remote control battery power is off.
 - Install a new battery in the remote control.
- The dip switch settings are incorrect in the remote control.
 - Refer to the Operating Instructions to set the dip switches.

The fan is noisy.

- The blades are loose.
 - Check and tighten all screws that hold the fan blades to the blade arms and the motor.
- There is a cracked blade.
 - Replace the cracked blade.
- The wall control is not compatible with the fan.
 - Do not use a full range dimmer switch to control the fan speed.

- The break-in period has not surpassed.
 - Run the fan continuously for 24 - 48 hours on medium or high speed for a “break in” period.
- The outlet box is not secure.
 - Ensure the outlet box is secured to the building structure.
- The mounting bracket is not secure.
 - Ensure the mounting bracket is secured to the outlet box and that the screws are tight.
- The speed control device is unapproved.
 - Replace the speed control device with an approved remote control

There is excessive wobbling.

- The blades and/or blade are loose.
 - Check and tighten all screws that hold the fan blades to the blade arms and the blade arms to the motor.
- The blades are unbalanced.
 - Switch one blade with a blade from the opposite side. Or balance the fan using a balancing kit (not supplied).
- The fan mounting is not secure.
 - Turn off the power. Loosen the canopy and verify that the mounting bracket is secure to the electrical outlet box. The bracket must be flush without movement against the outlet box
- The fan is too close to the vaulted ceiling.
 - Use a longer downrod or move the fan to another location.
- The set screw on the motor housing yoke is loose.
 - Lift up the yoke cover and tighten the set screw to the yoke until secure.
- The blade arms are incorrectly attached to the blades.
 - Reinstall the blades to the blade arms.

**The fan operates correctly, but the lights are not working (if applicable). **

- The bulb(s) are not installed correctly.
 - Re-install the bulb(s).

- The light kit wire plugs are not connected properly.
 - Ensure that the male and female plugs in the light kit fitter are connected properly.
- There is a faulty wire connection.
 - Turn the power off and check all connections at the ceiling outlet box.
- The total power of the light is exceeding 190 W.
 - The fan comes with a 190 W limiter. When the total watts of the lights is over 190 W, the lights do not work. Please replace the bulbs with lowerwattage bulbs.

Warning

This content is compiled from multiple sources and is provided for reference purposes only. It may not be complete or fully applicable to all situations. If you are unable to resolve your issue, please contact the product manufacturer or an authorized service provider for official support.