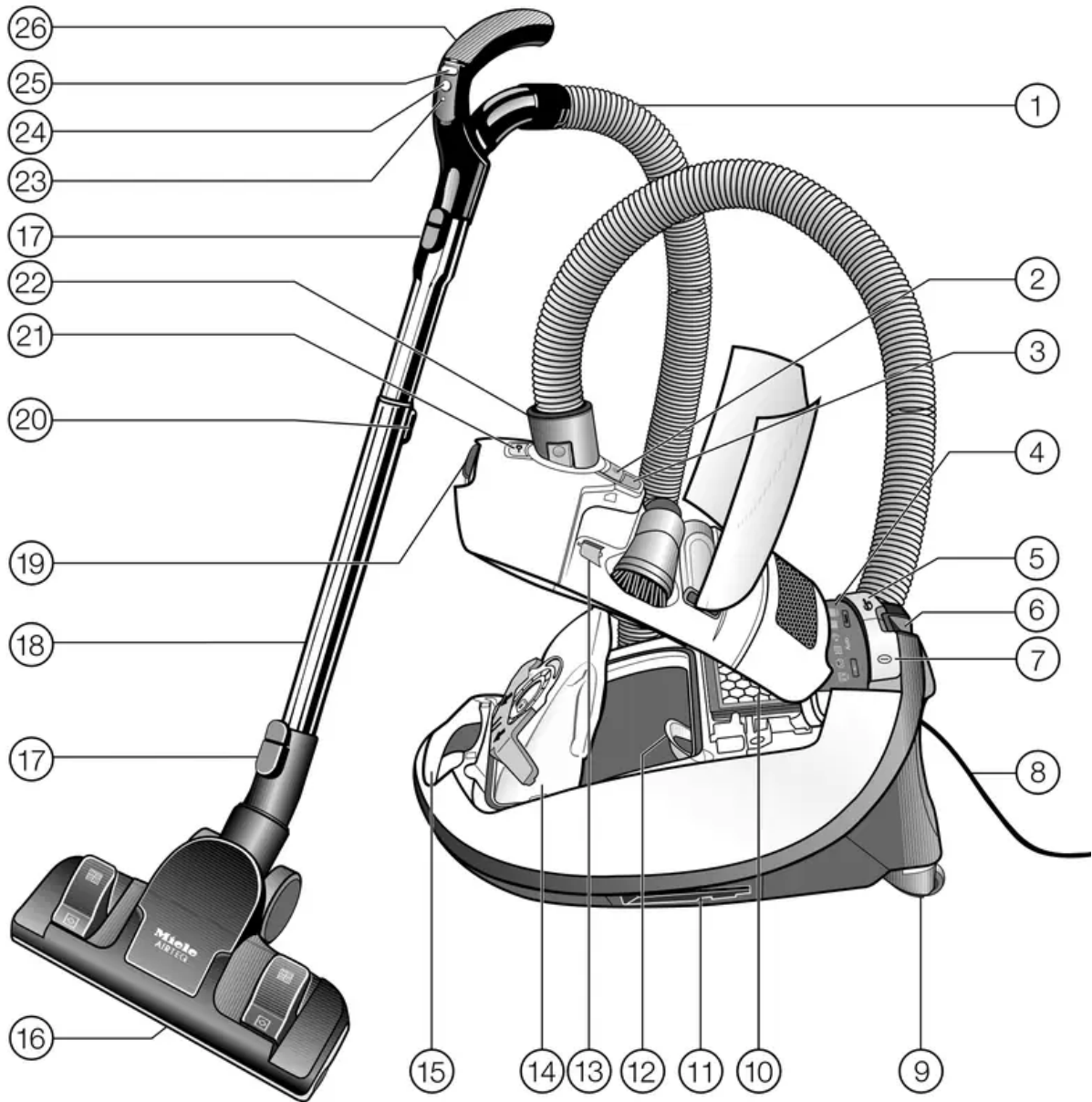
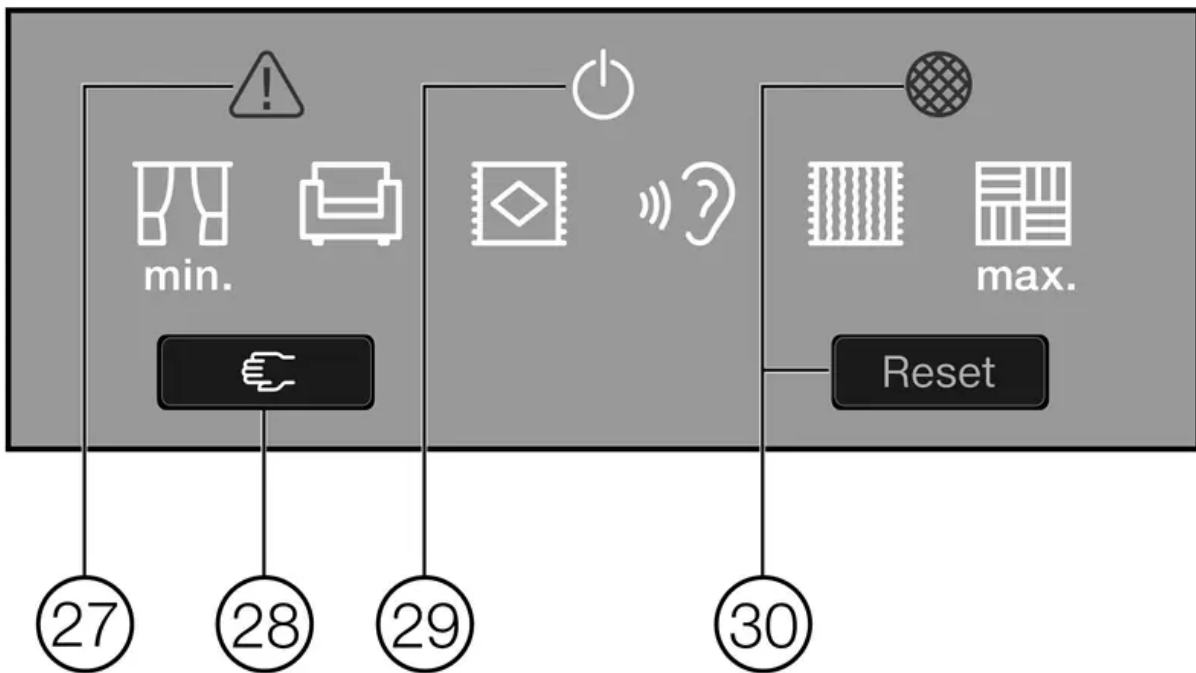




Appliance description





1. Suction hose *
2. Release button for accessories compartment
3. FilterBag change indicator
4. Display *
5. Foot switch for automatic cord rewind
6. Park system for pauses during vacuuming
7.  On/Off foot switch
8. Power cord
9. Castor wheels *
10. Exhaust filter *
11. Park system for storage (on both sides of the vacuum cleaner) *
12. Motor protection filter
13. Electrobrush socket cover holder *
14. Original Miele FilterBag
15. Carrying handle
16. Floorhead *
17. Release buttons
18. Telescopic suction wand *
19. Dust compartment lid release button
20. Telescopic suction wand release button *

21. Socket for Electrobrush *
22. Connection socket *
23. LED *
24. Standby button for short pauses in vacuuming *
25. Suction power selector buttons + / - *
26. Handle (some models have an air inlet valve in the handle) *
27.
Overheating warning light  *
28. Restart button *
29. Standby indicator light *
30. Maintenance indicator with reset button *

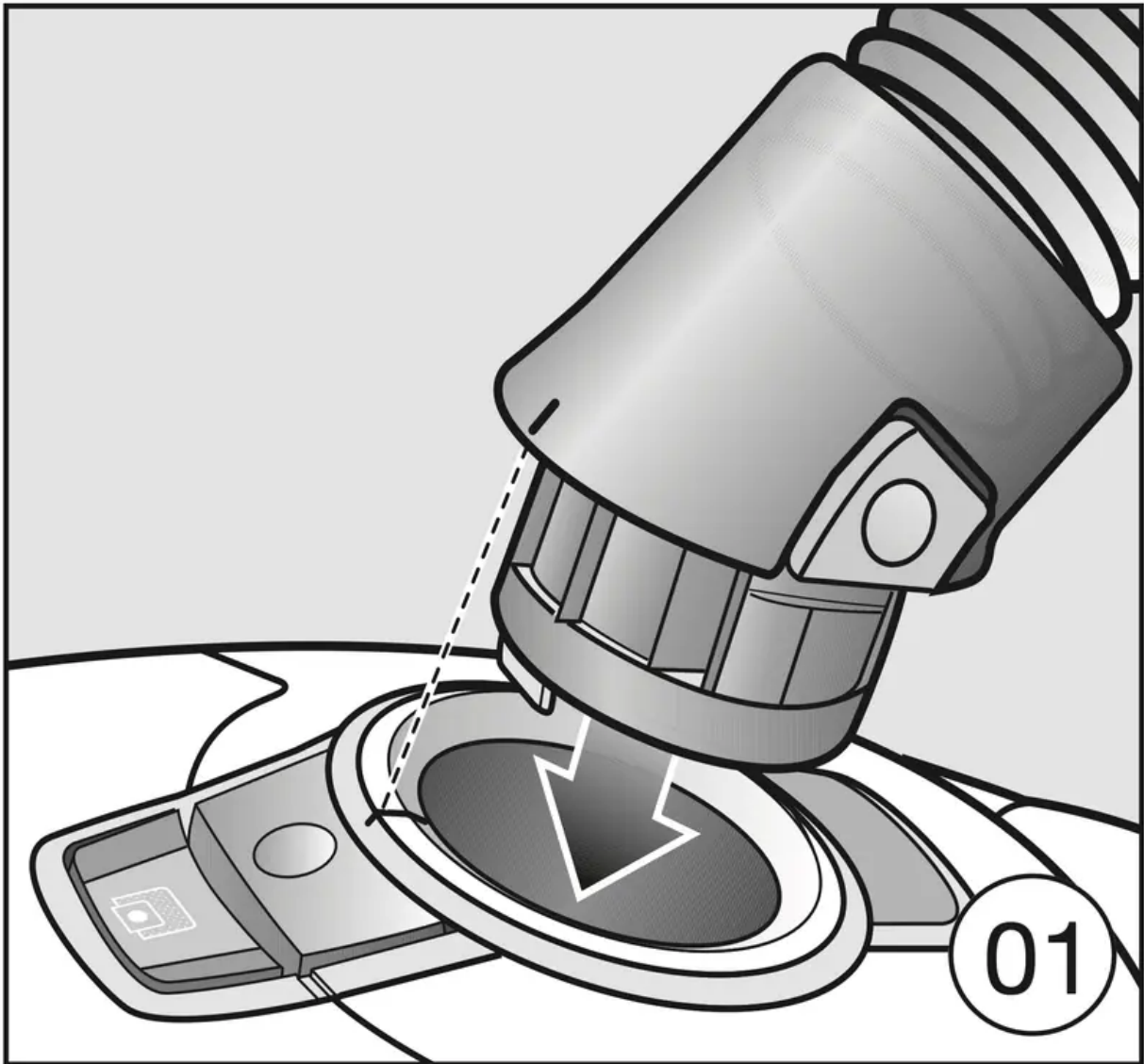
* These features are model-specific and may vary or may not be available on your vacuum cleaner.

References to illustrations

The illustrations referred to in the text are shown on the fold-out pages at the end of these Operating Instructions.

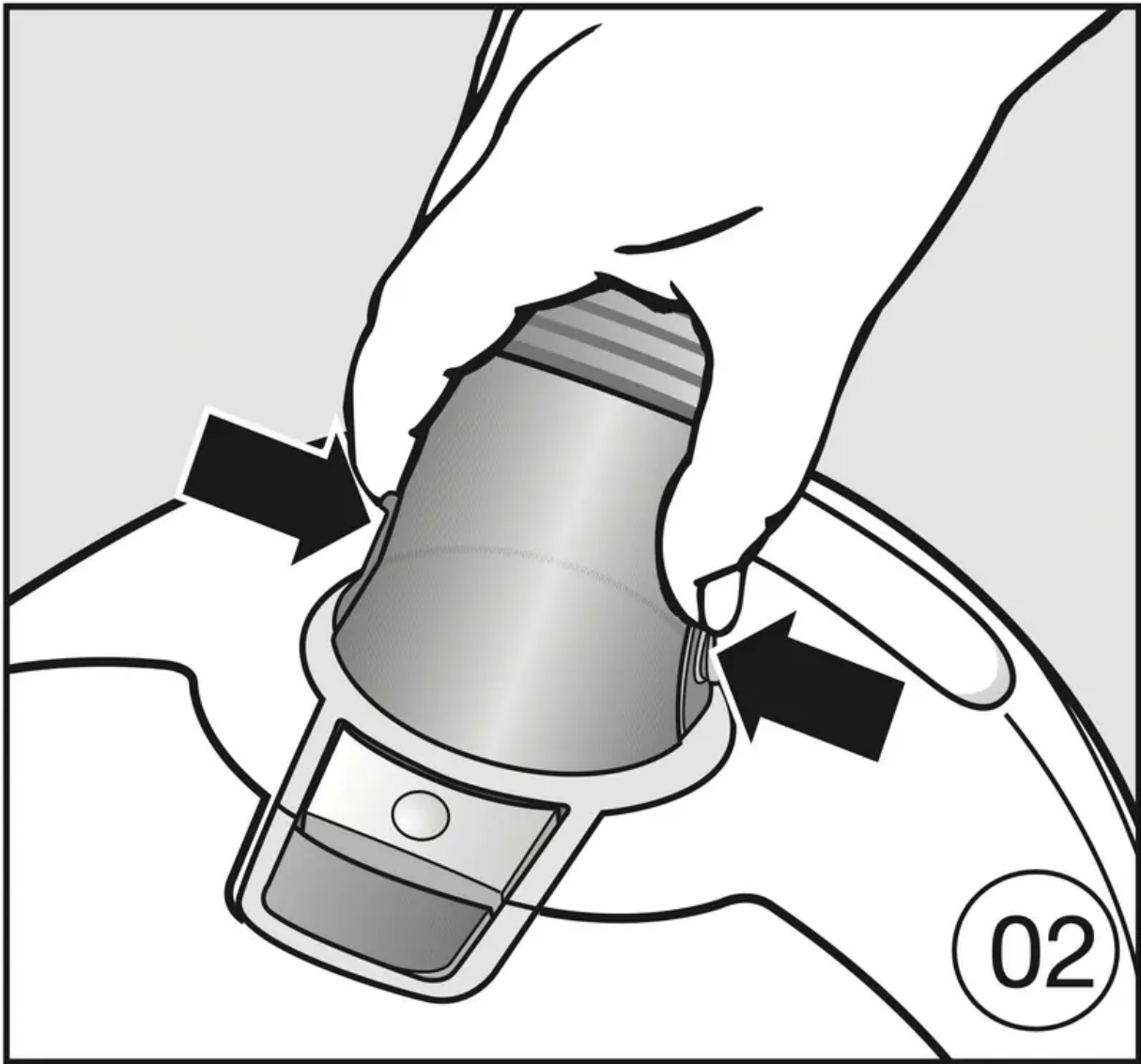
Preparing for use

Attaching the suction hose (Fig. 01)



- Insert the hose connector into the suction socket on the vacuum cleaner until it clicks into position. To do this, line up the guides on the two pieces.

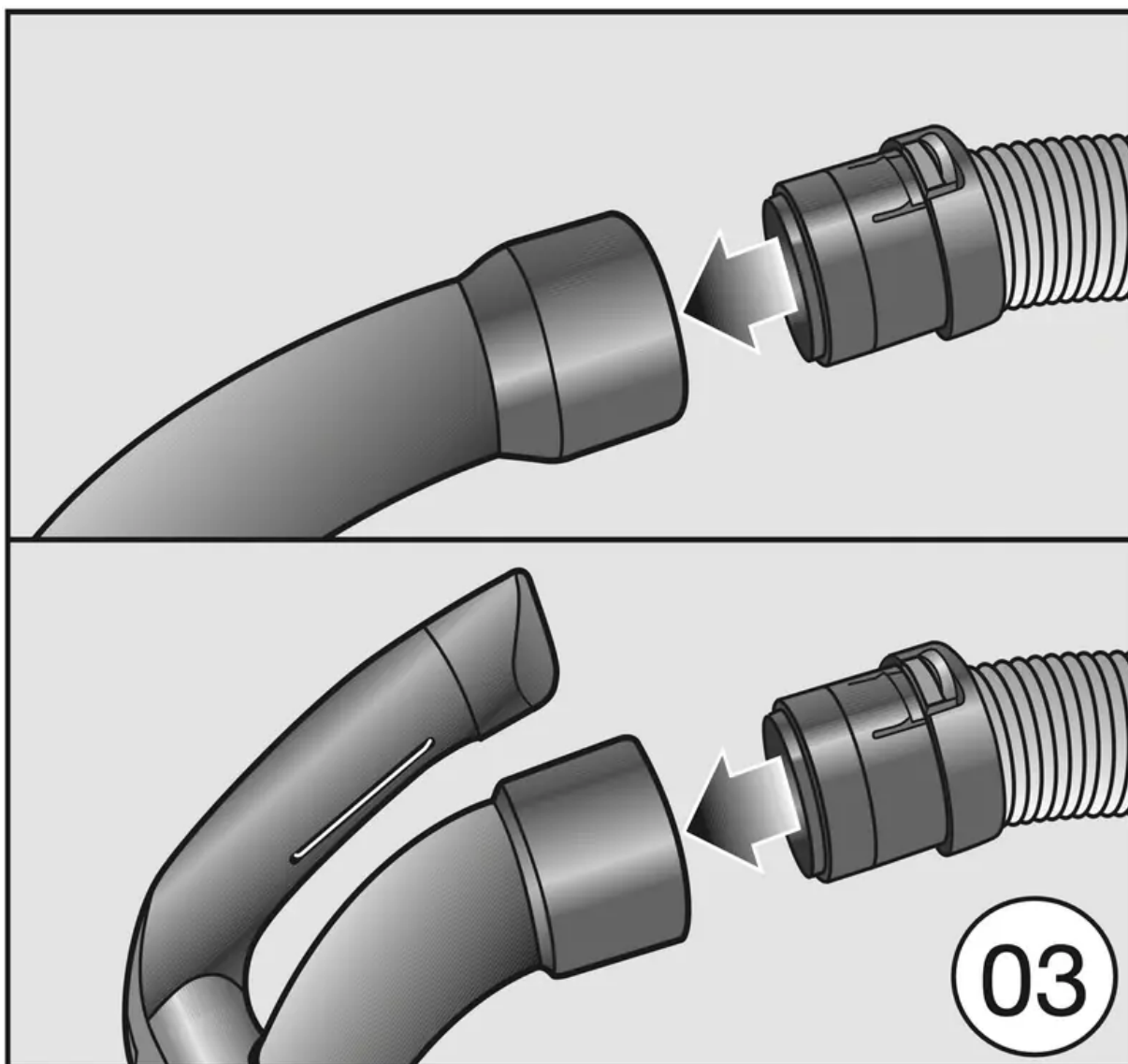
Disconnecting the suction hose (Fig. 02)



- Press the release buttons at the side of the hose connector, and lift the hose from the socket.

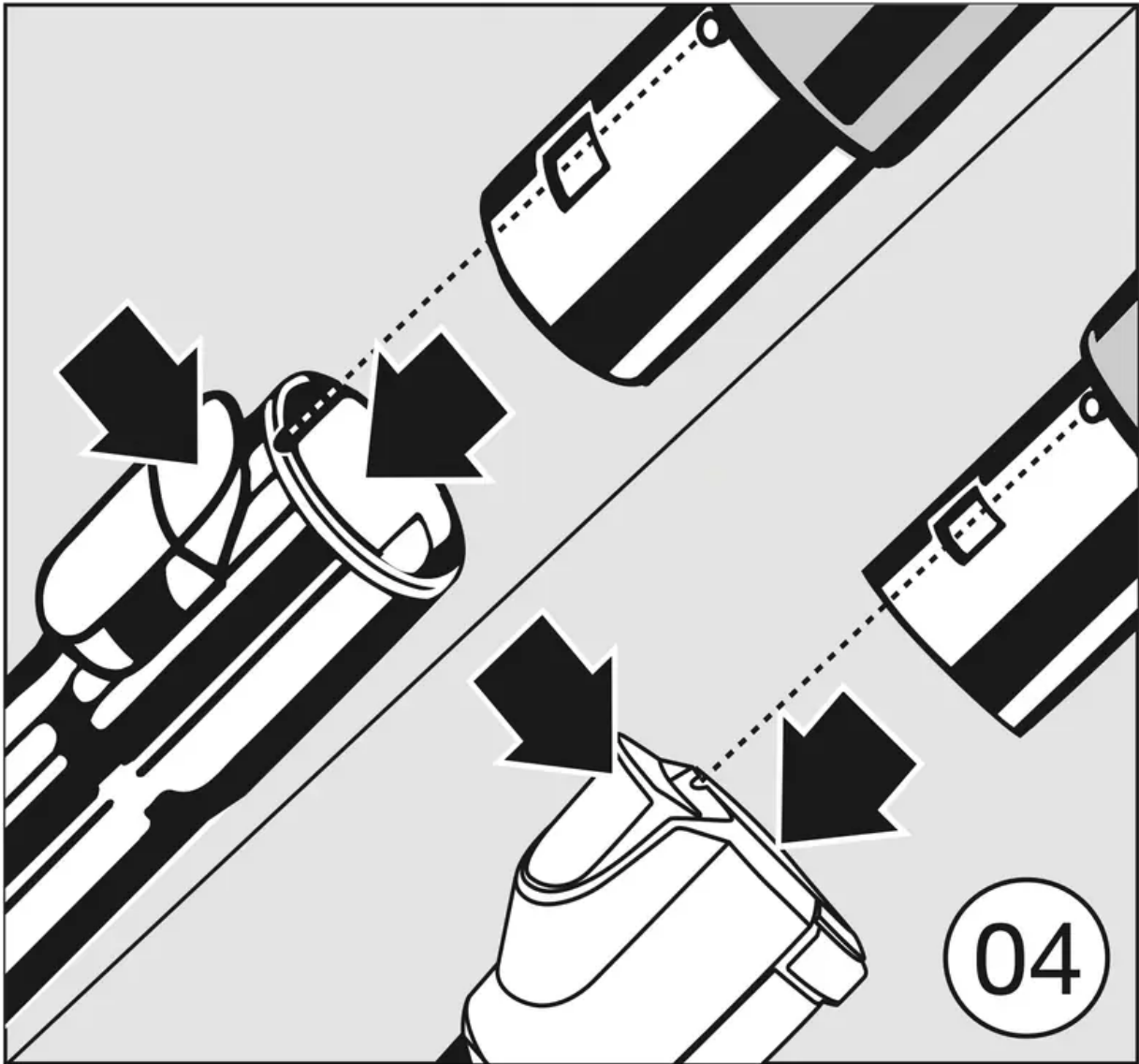
Connecting the suction hose to the handle (Fig. 03)

(required depending on model)



- Insert the suction hose into the handle until it clicks into position.

Connecting the handle to the wand (Fig. 04)



- Insert the handle into the wand until it clicks into position. To do this, line up the guides on the two pieces.
- To release the handle from the wand, press the release button and pull the handle out of the wand, twisting it slightly as you do so.

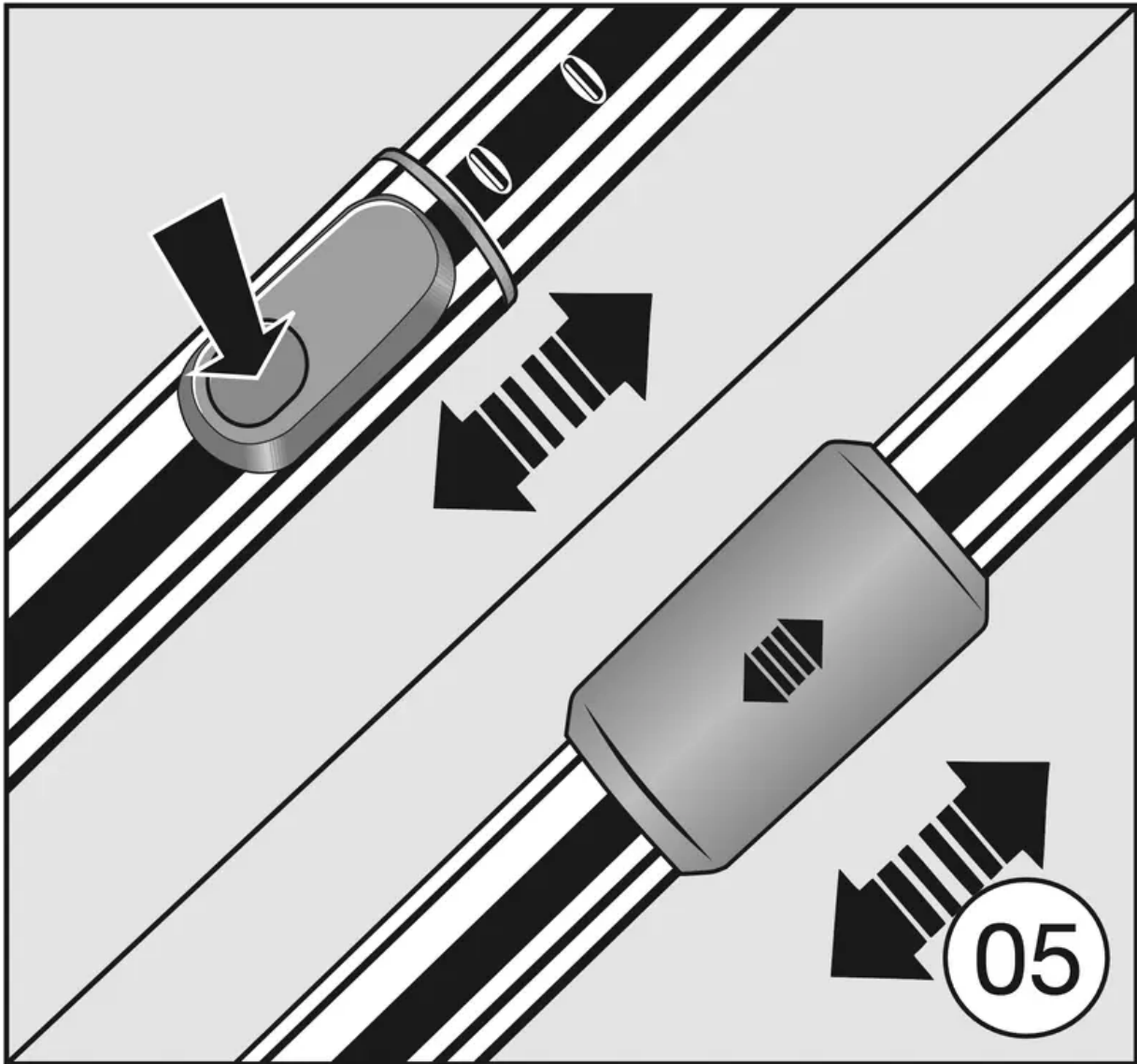
Adjusting the telescopic suction wand

Depending on the model, your vacuum cleaner will be fitted with one of the following suction wands:

- Telescopic suction wand
- Comfort telescopic suction wand

One part of the telescopic suction wand is packed inside the other and it can be adjusted to suit your height for comfortable vacuuming.

Telescopic suction wand (Fig. 05)



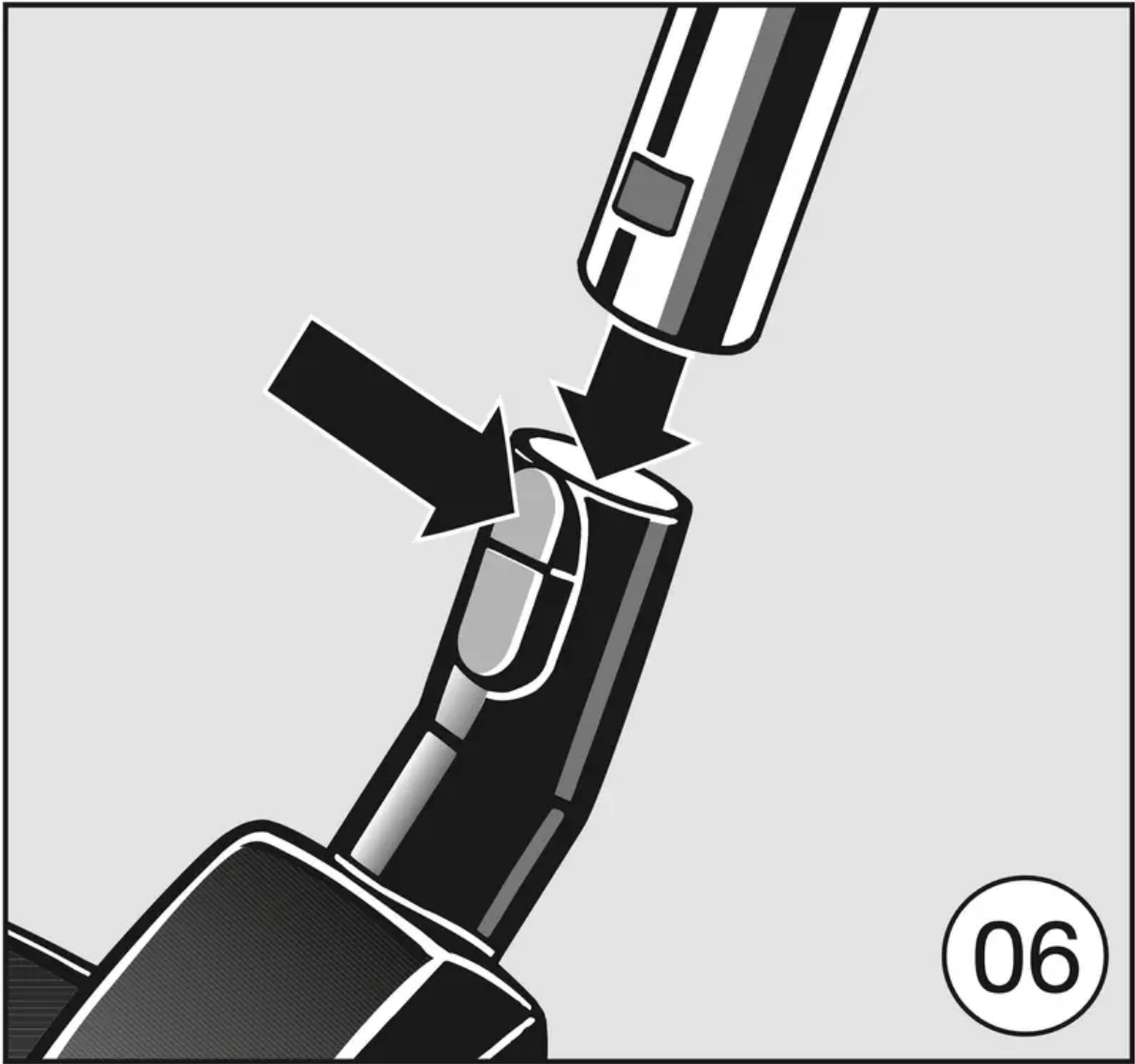
- Press the release button and adjust the telescopic suction wand to the required length.

Comfort telescopic suction wand (Fig. 05)

- Grasp the release mechanism and adjust the telescopic suction wand to the required length.

Connecting the telescopic wand to the floorhead/floorbrush (Fig. 06)

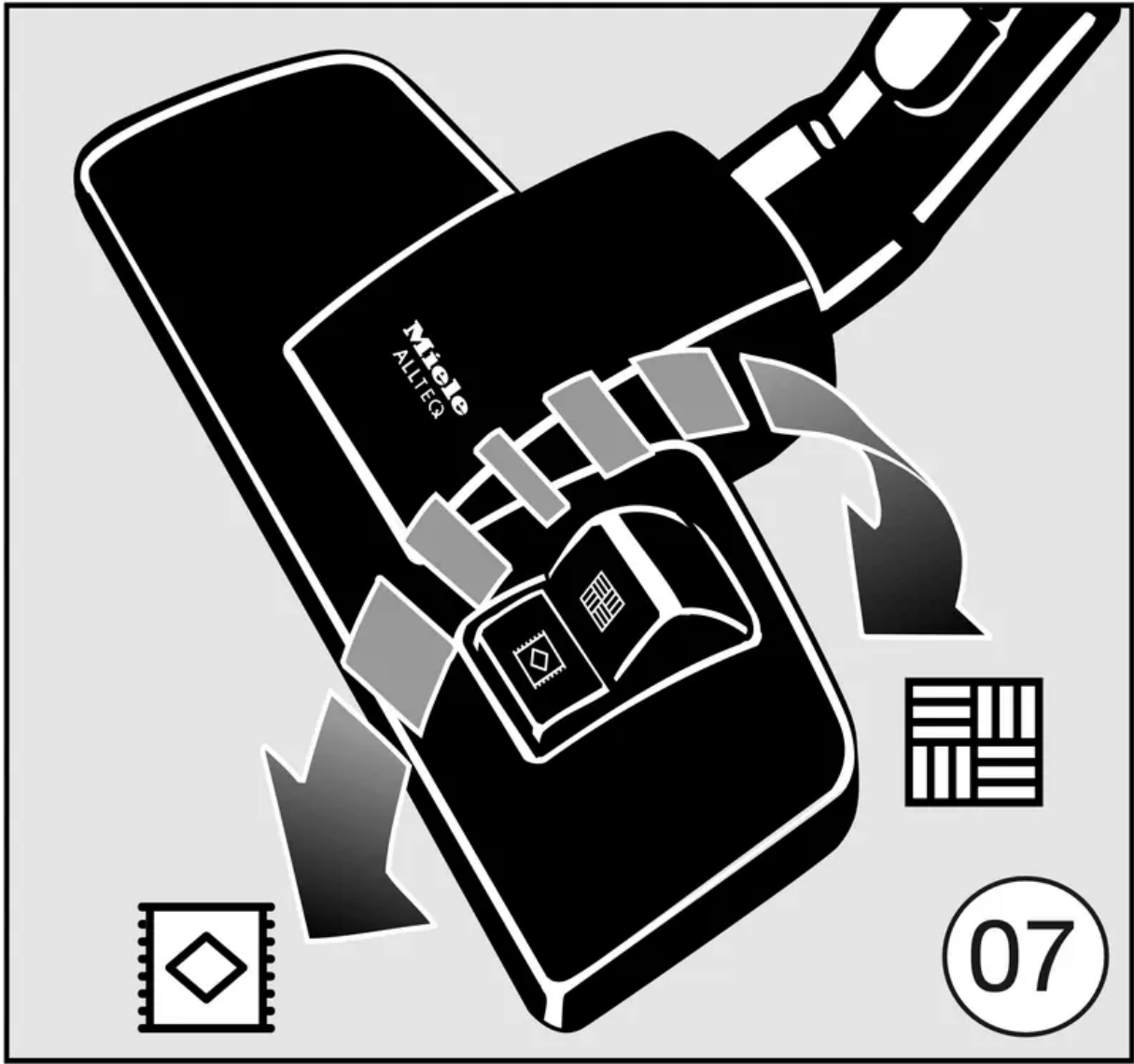
(included as standard depending on model)

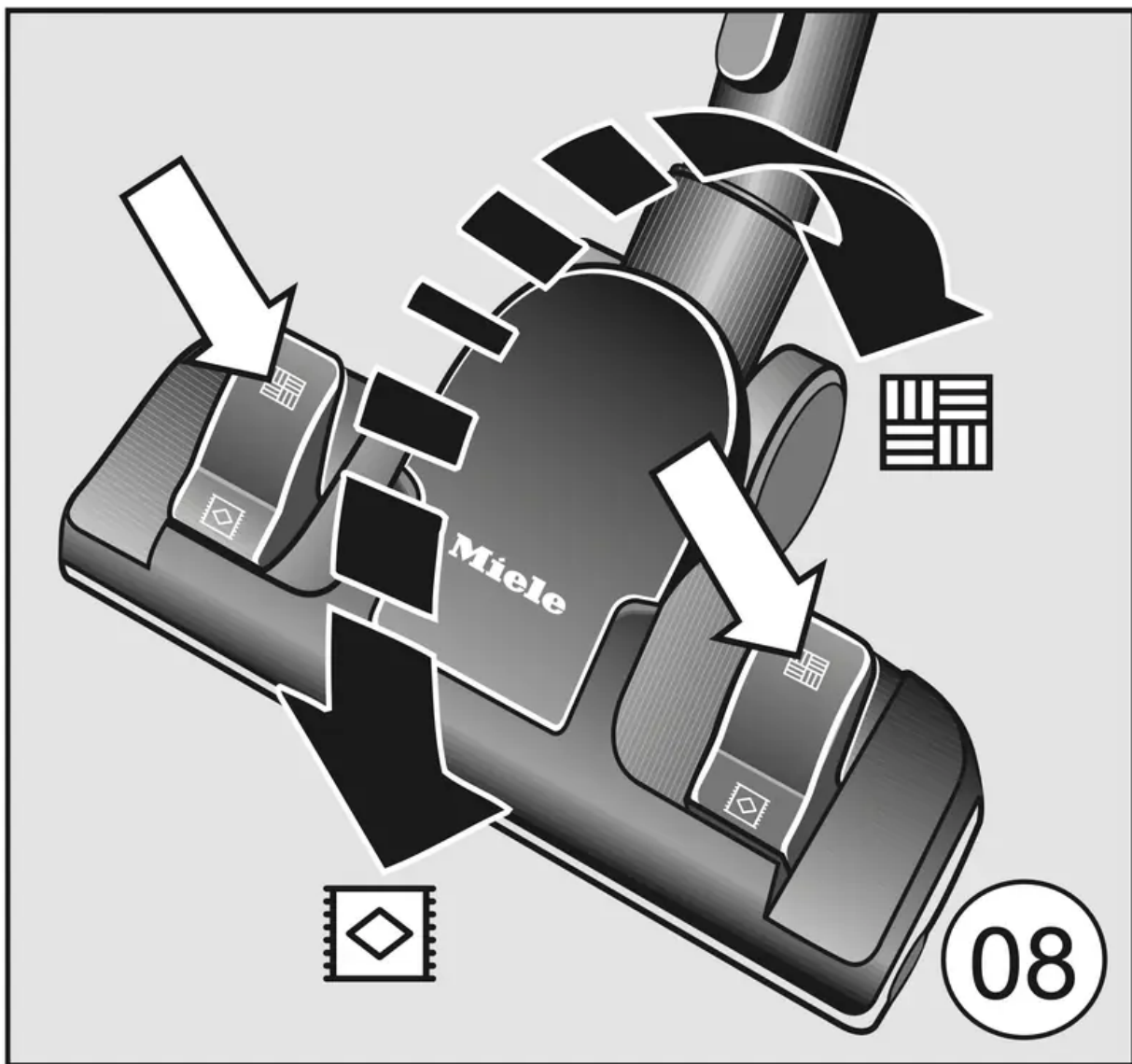


- Push the telescopic wand into the suction nozzle and turn it clockwise or counter-clockwise until it clicks into position.
- To detach these parts from each other, press the release button and pull the telescopic wand out of the suction nozzle, twisting it slightly as you do so.

Adjusting the floor head (Figs. 07 + 08)

(only for models with a reversible floor head included in the standard version)






This vacuum cleaner can be used for the everyday cleaning of carpets, rugs and hard flooring.


Miele offers a range of other floor heads, brushes and accessories for other types of flooring and special applications (see "Optional accessories").

Please always follow the flooring manufacturer's cleaning and care instructions.

Vacuum carpets and rugs with the brush retracted:

- Press the foot switch  .

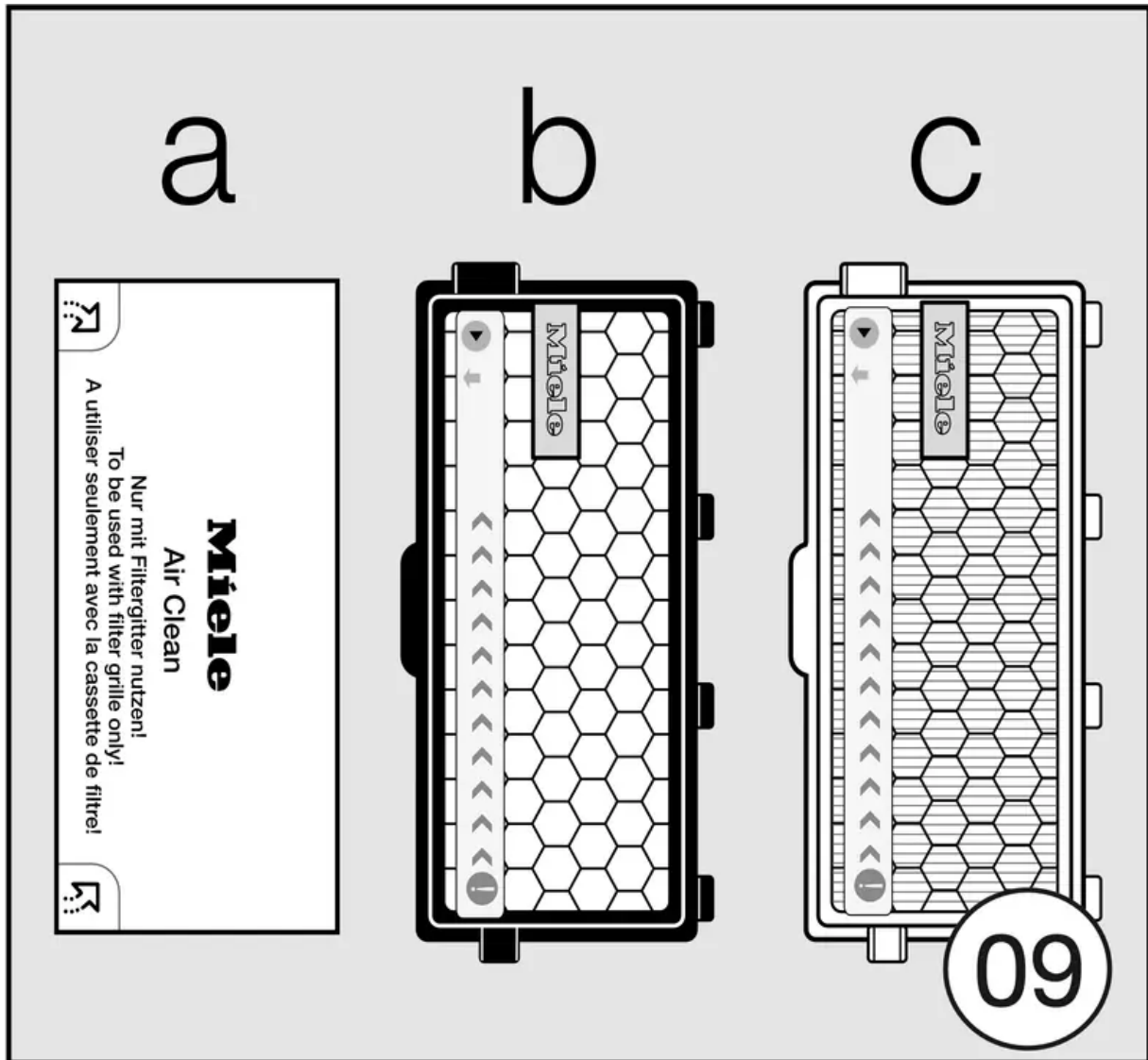
Clean hard flooring which is not susceptible to scratching, and flooring with gaps or deep crevices in it with the brush protruding:

- Press the foot switch  .

If the suction power of the floor head seems too high, reduce the suction until the head is easier to maneuver (see "Use - Regulating the suction power").

Activating the exhaust filter change indicator on the exhaust filter

Depending on the model, your vacuum cleaner will be fitted as standard with one of the following exhaust filters (Fig. 09).



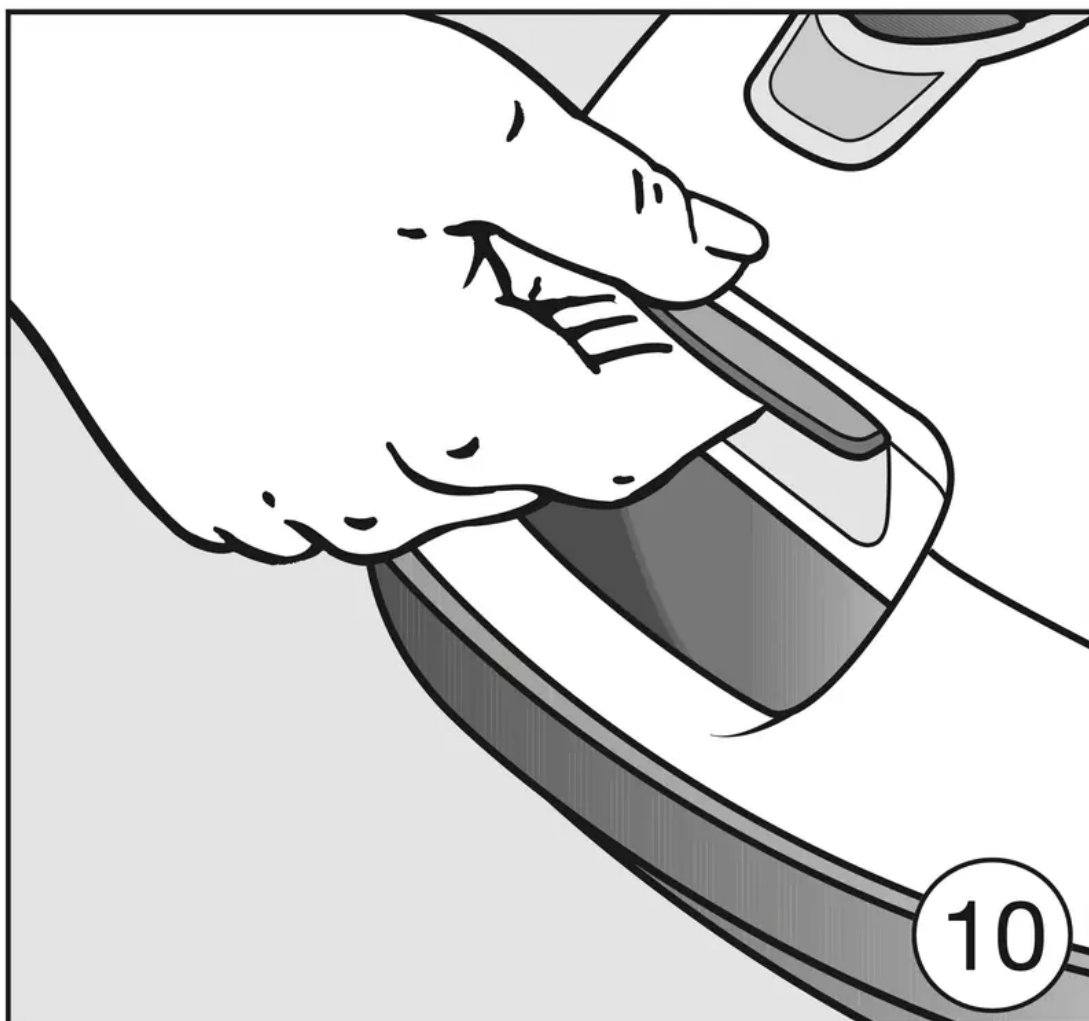
a AirClean

b Active AirClean 50 (black)

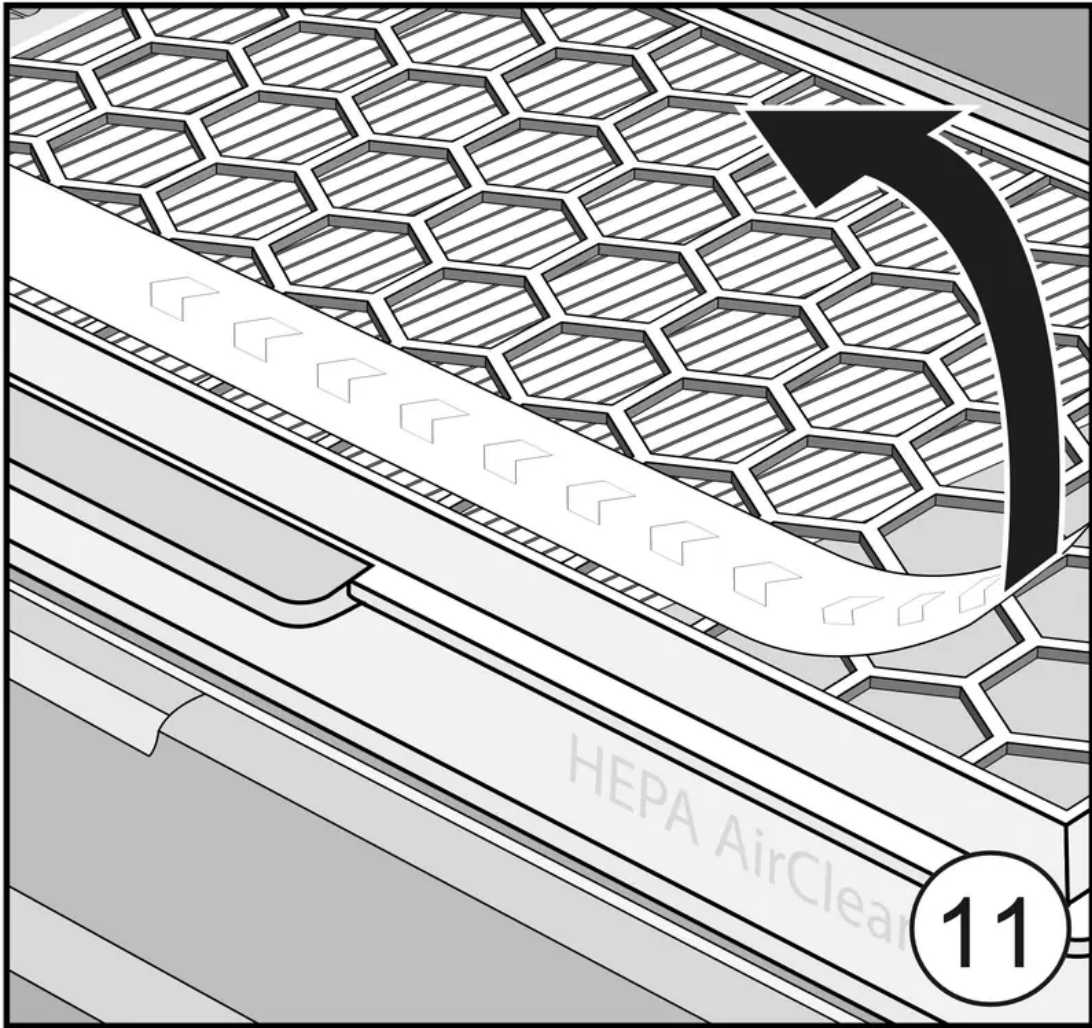
c HEPA AirClean 50 (white)

If your vacuum cleaner is equipped with filter type **b** or **c**, you will need to activate the exhaust filter change indicator.

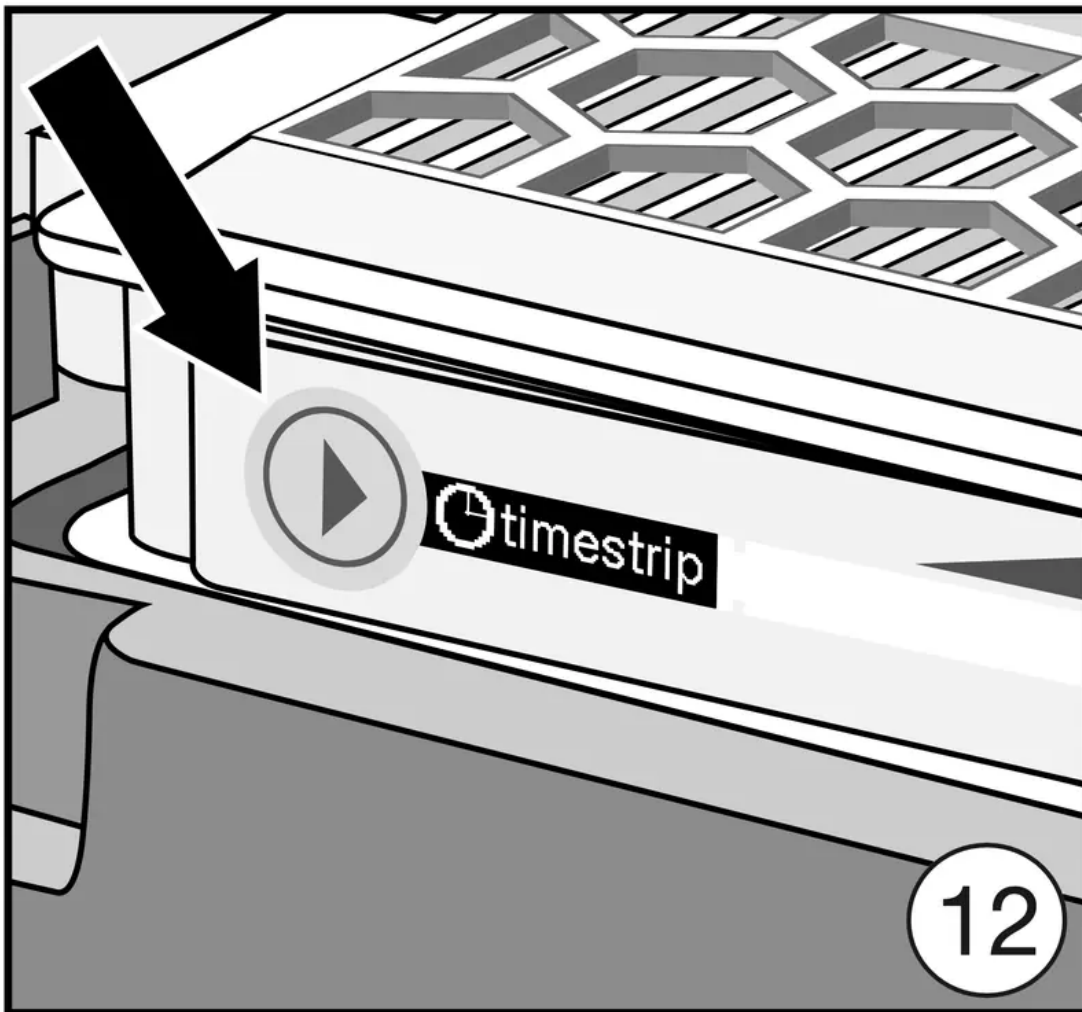
- Press the release button on the recessed handle and raise the dust compartment lid as far as it will go (Fig. 10).



- Remove the indicator strip (Fig. 11).



- Press the exhaust filter change indicator (Fig. 12).



After approx. 10-15 seconds a thin red line will appear in the left-hand side of the display (Fig. 13).



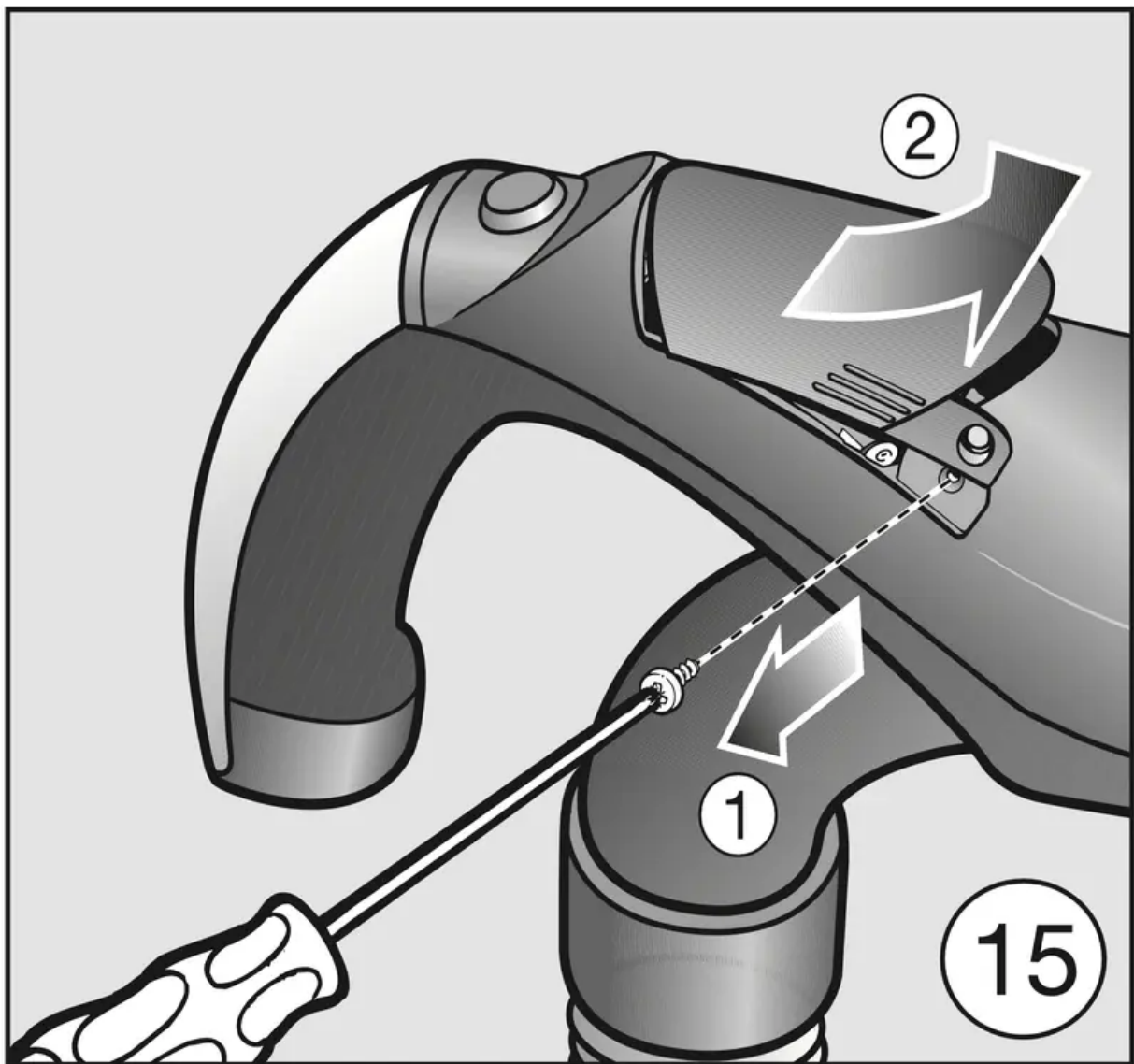
- Close the dust compartment lid securely, making sure it clicks into position. Take care not to trap the FilterBag when doing so.

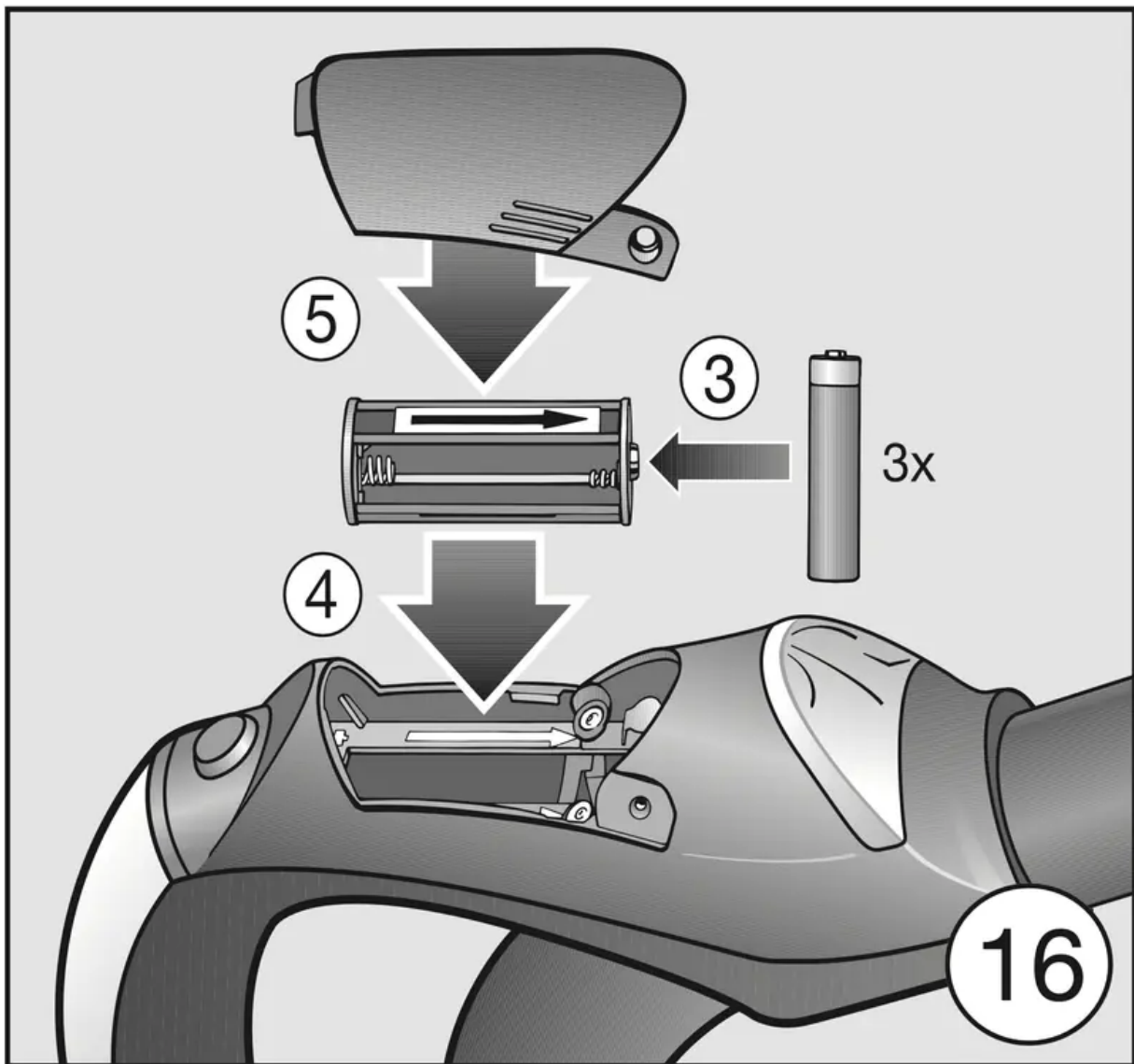
How the TimeStrip exhaust filter change indicator works

The TimeStrip exhaust filter change indicator shows the remaining functional life of the exhaust filter. After approx. 50 operating hours, or approx. one year of average use, the display will be completely filled with red (Fig. 14).



Inserting batteries into the LED handle (Figs. 15 + 16)
(depending on model)





1. Loosen the screws on the cover.
2. Press down on both sides of the cover to remove it.
3. Take out the battery holder and insert the three batteries supplied making sure the polarity is correct.
4. Replace the battery holder. Make sure the arrows on the holder and in the battery compartment line up in the same direction.
5. Replace the cover and tighten the screw.

Using the accessories supplied (Fig. 17)



1. Crevice nozzle

For cleaning in folds, crevices or corners.

2. Dusting brush with natural bristles

For cleaning base boards, ornate and carved objects.

The head can be swiveled to adjust the angle

3. Upholstery nozzle

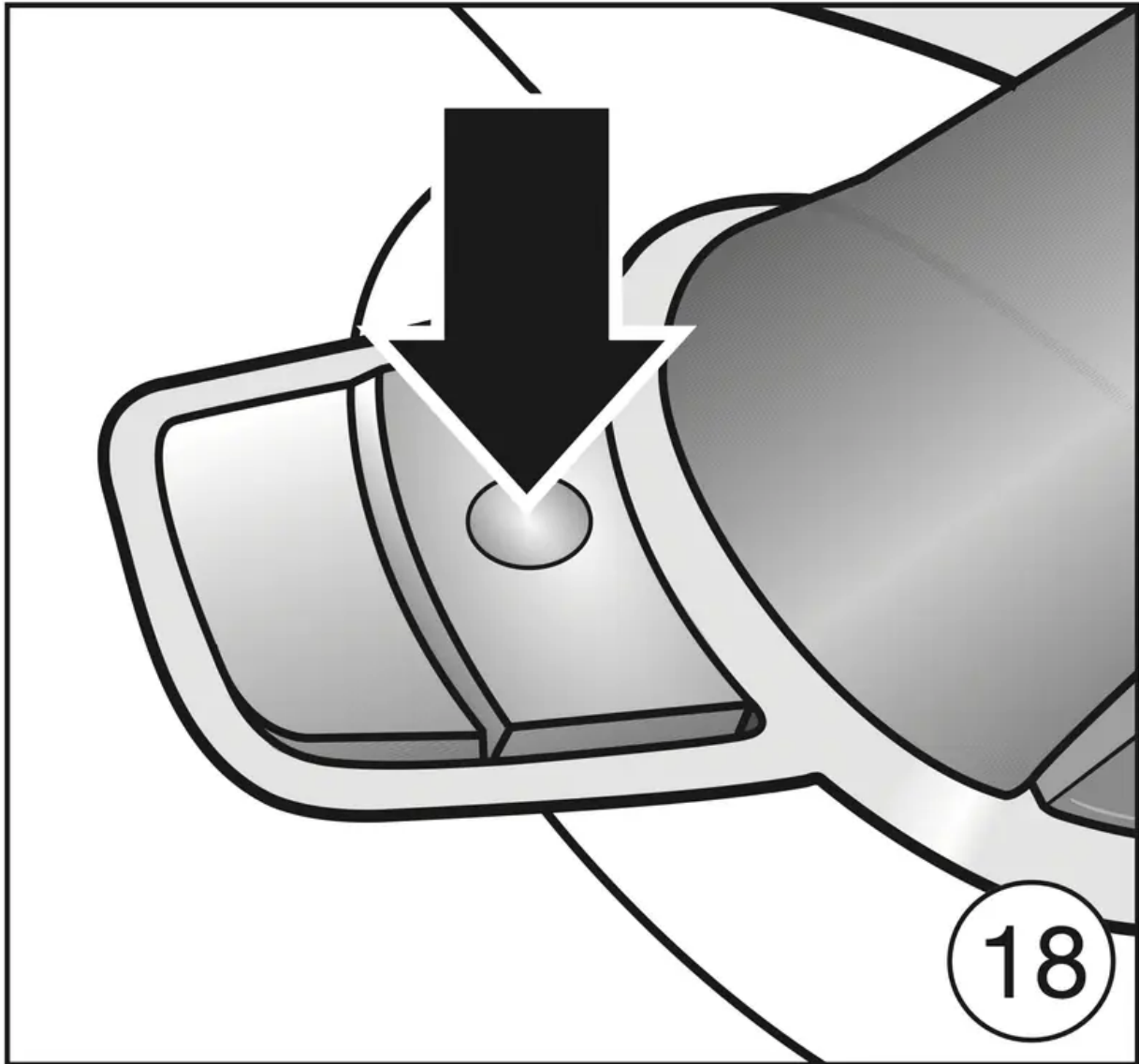
For cleaning upholstery, mattresses, cushions, curtains, covers, etc.

Some models are supplied as standard with one of the following accessories, which are not illustrated.

- Powerbrush
- Turbobrush

These accessory parts are supplied with their own operating instructions.

Opening the accessories compartment (Fig. 18)



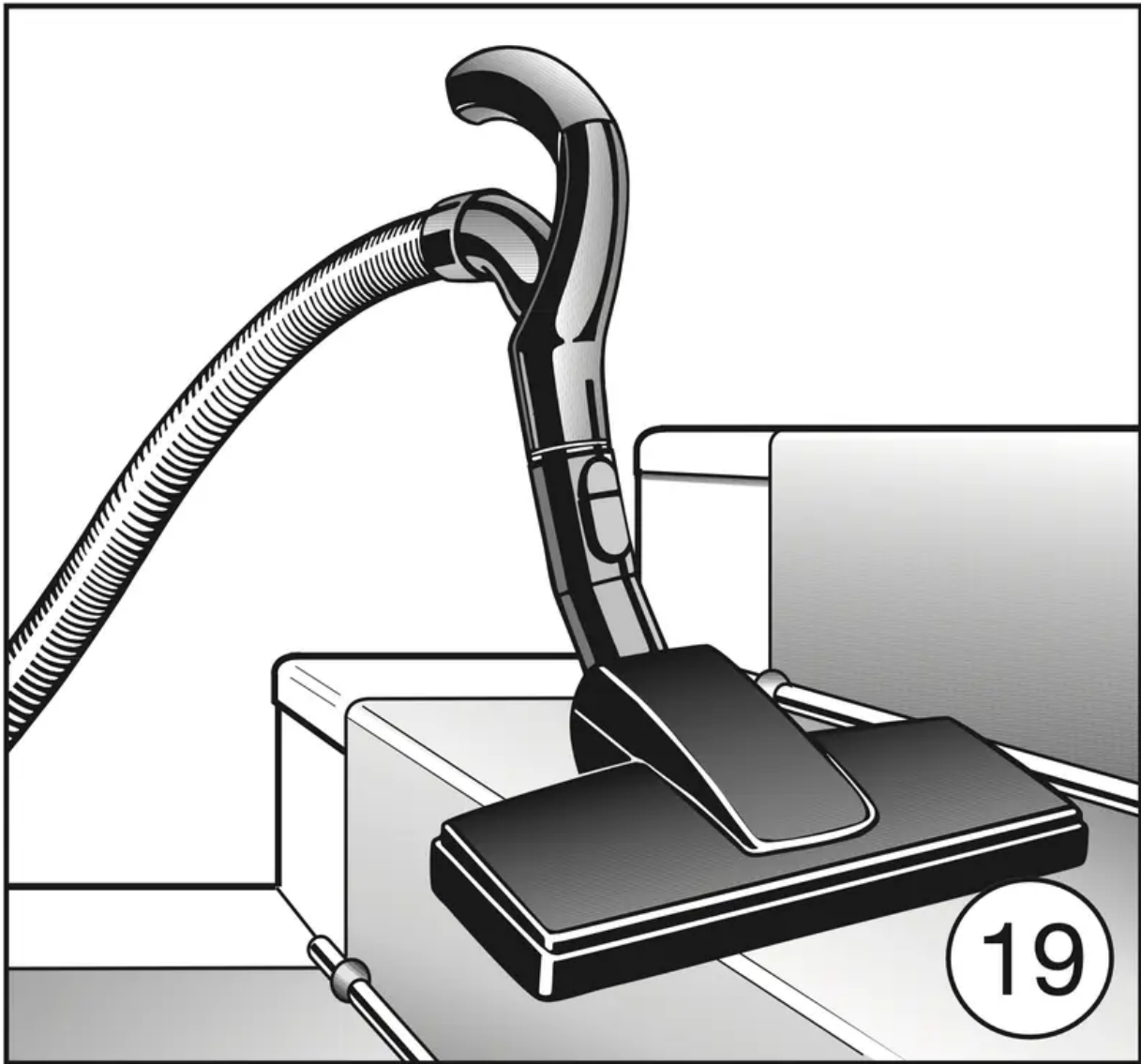
- Press the release button on the accessories compartment lid.

The accessories compartment will then open.

- Take out the accessory you require.
- Press down firmly on the lid to close it.

Floor brush (Fig. 19)

(included as standard depending on model)



For general use and also for vacuuming the stairs.

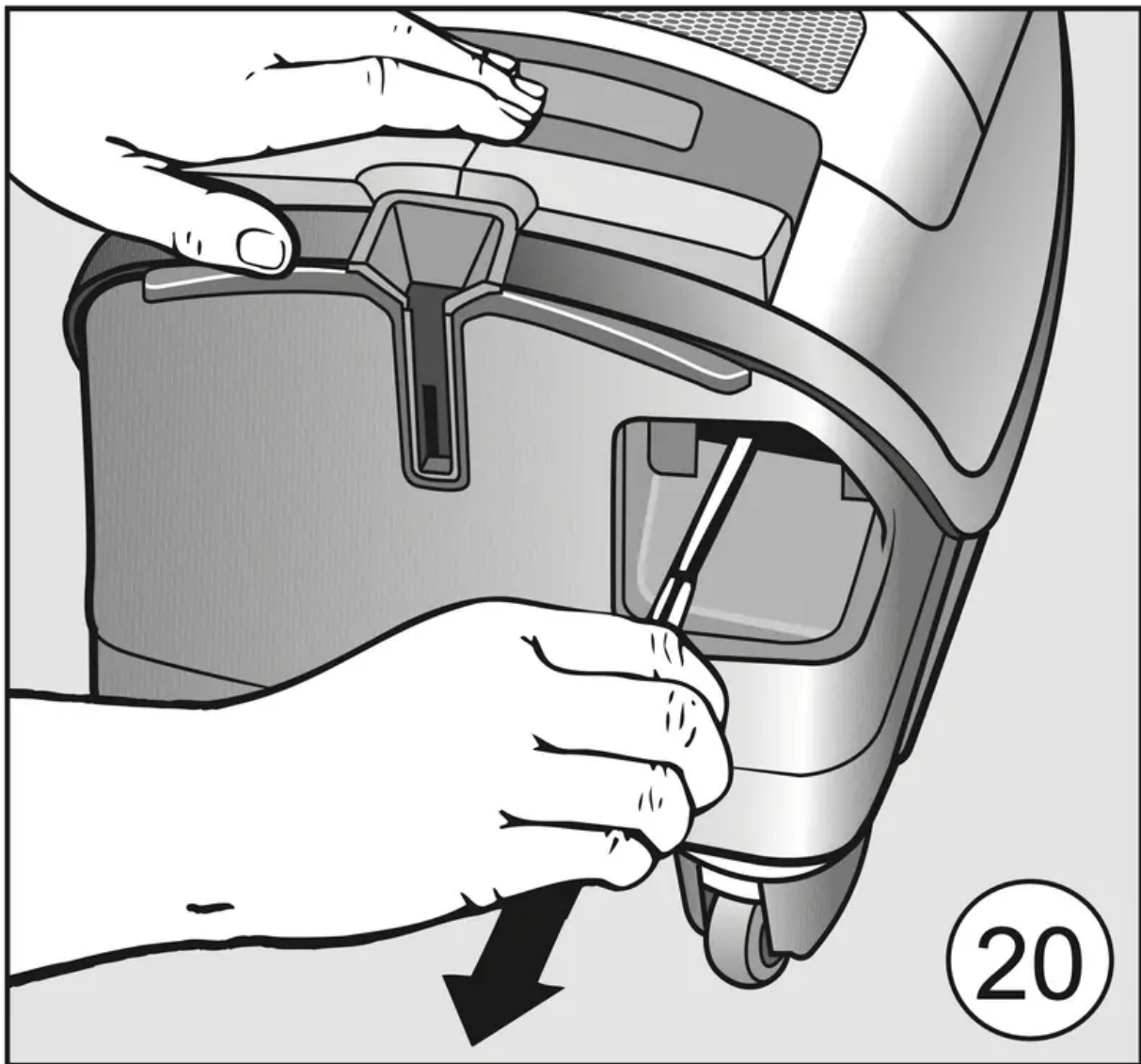
CAUTION: For safety reasons when vacuuming stairs, it is best to start at the bottom of the stairs and move upwards.

Use

Power cord

CAUTION: Unwind the cord completely to aid the vacuum in dissipating heat. Do not pull or carry by the cord, use the cord as a handle, close a door on the cord, or pull the cord around sharp edges or corners. Do not run the appliance over the cord. Keep the cord away from heated surfaces. Do not unplug by pulling the cord. To unplug grasp the plug, not the cord. This appliance is equipped with a power cord reel. Hold the plug when rewinding onto cord reel. Do not allow plug to whip when rewinding.

Unwinding the cord (Fig. 20)



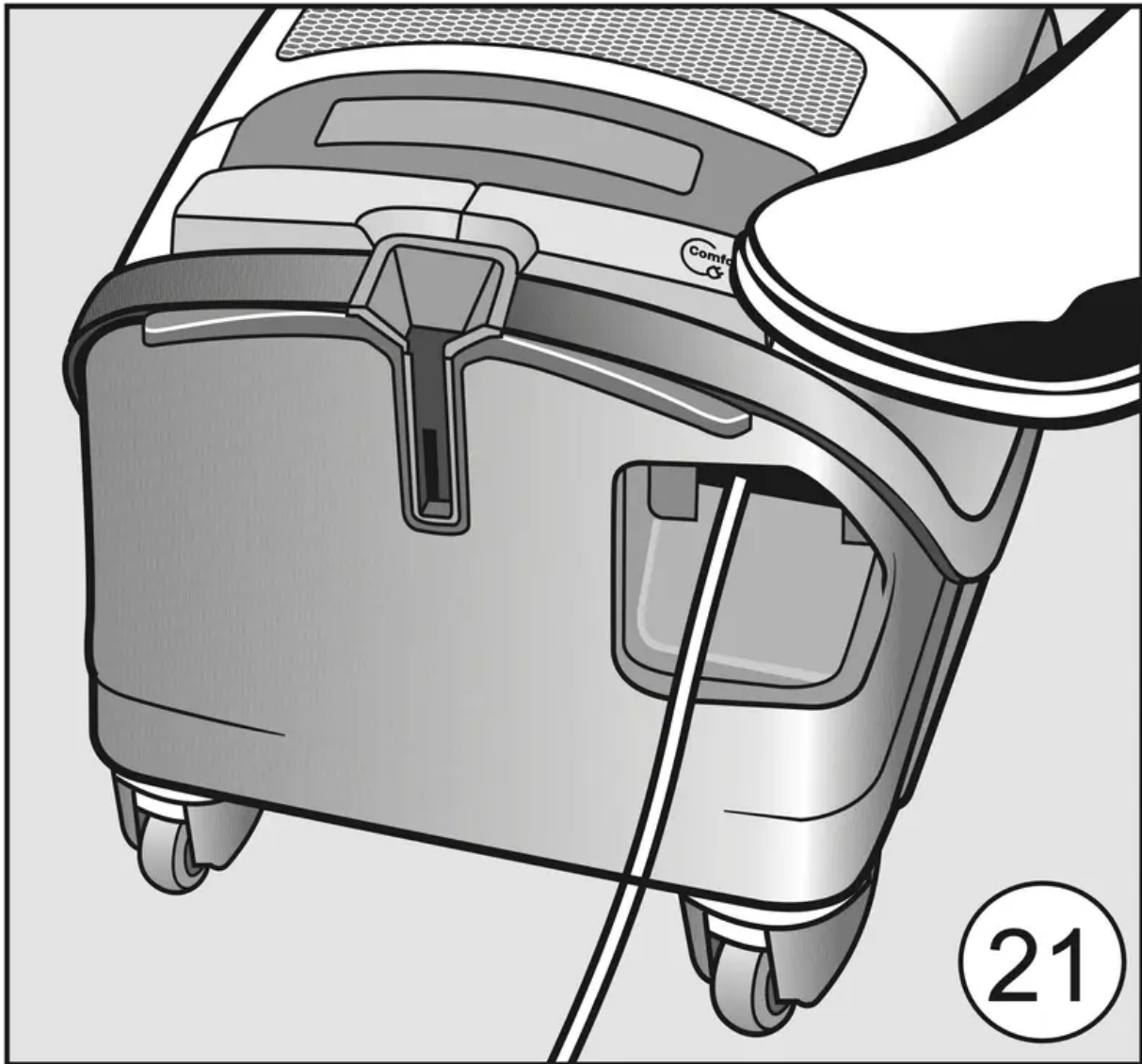
- Pull the cord out to the required length (max. length approx. 24'7" (7.5 m)).
- Insert the plug into the socket.

If your vacuum cleaner is equipped with a lit park system for storage, it switches on in this manner.

When the vacuum cleaner is used for the first time the lighting will switch itself on after approximately two minutes.

CAUTION: If vacuuming for longer than 30 minutes, the cord must be pulled out all the way. Danger of overheating and damage.

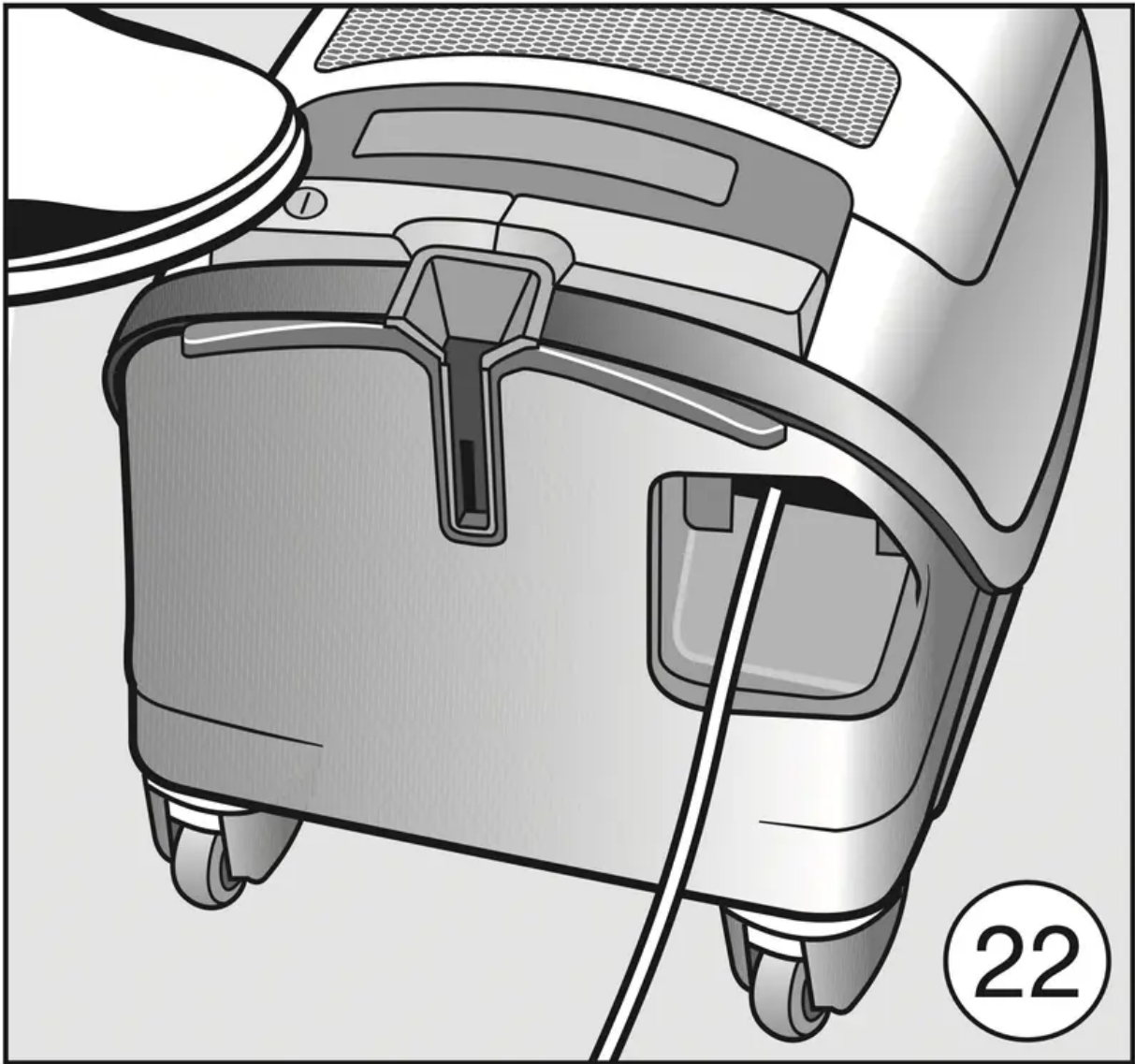
Rewinding the cord (Fig. 21)




- Remove the plug from the outlet.
If your vacuum cleaner is equipped with a lit park system for storage, it switches off in this manner.
- Step briefly on the automatic cord rewind foot switch.
The cord will then retract itself fully into the vacuum cleaner.

If you do not want the cord to retract completely into the vacuum cleaner you can deactivate this function. To do this, take hold of the end of the cord whilst retracting it and give it a short pull when you want the rewinding to end.

Turning the vacuum cleaner on and off (Fig. 22)



- Press the On/Off foot control 

Regulating the suction power

The suction power can be regulated to suit the type of flooring being cleaned. Reducing the suction power reduces the amount of effort required to maneuver the floor brush.

The vacuum cleaner has symbols on the controls which indicate the type of use the settings are suitable for.

The selected power setting will light up yellow.



Curtains, fabric



Upholstery, cushions



Deep pile carpets, rugs and runners



Energy-saving vacuuming. This setting is also very quiet



Loop pile carpet and rugs



Hard flooring and heavily soiled carpets and rugs

When using the AirTeQ floor brush, reduce the suction power until the floor brush is easier to maneuver if the suction seems too high.

Depending on the model, your vacuum cleaner will also be equipped with one of the following power settings.

Auto

Automatic adjustment of suction power to flooring

CAUTION: Do not use the **Auto** setting to vacuum lightweight materials or curtains. These could be sucked into the vacuum cleaner and possibly damaged.

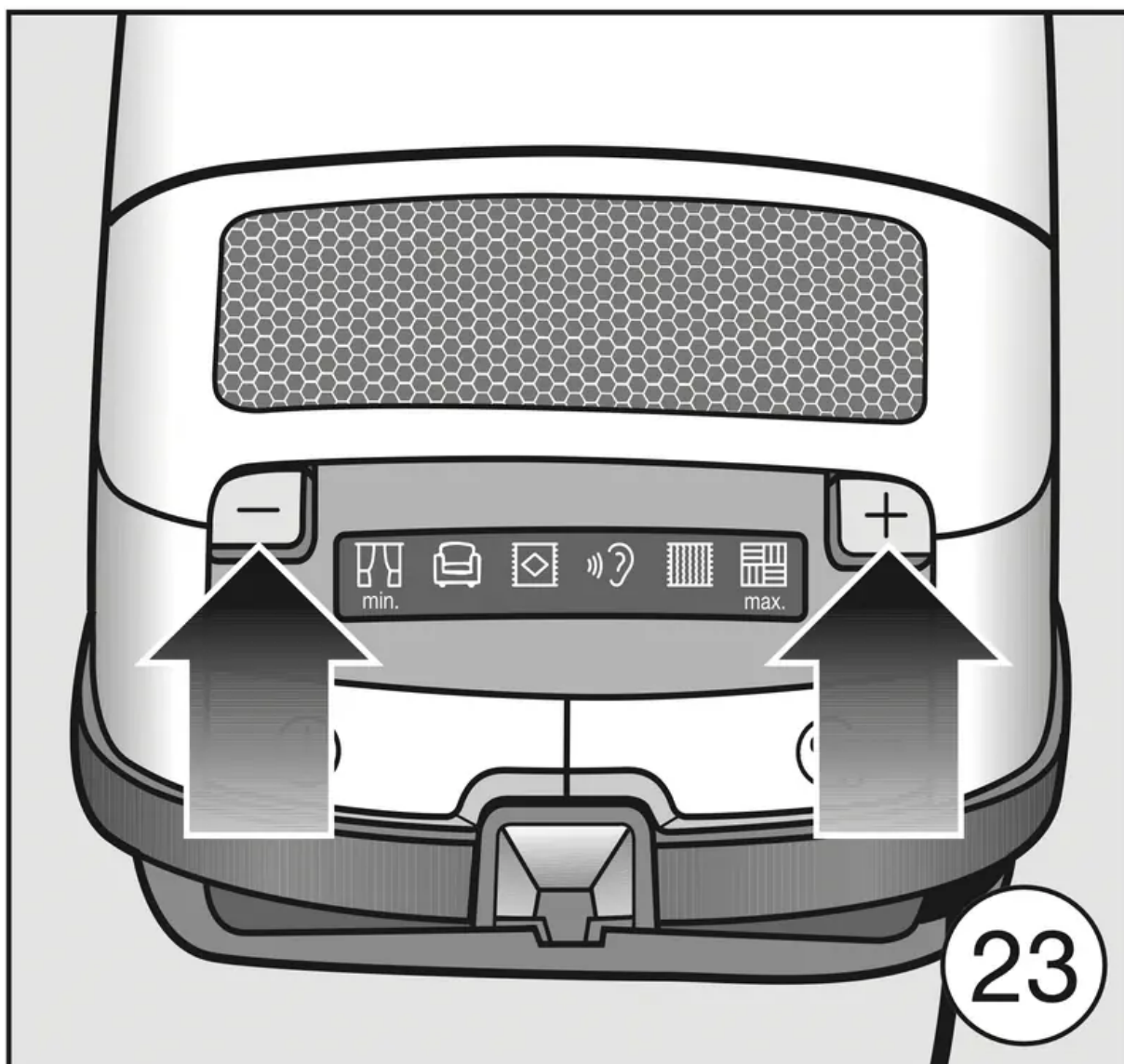
SoftCarpet

Particularly soft flooring

Depending on the model, your vacuum cleaner will be fitted with one of the following suction power selectors:

- Footswitches
- Footswitches with **Auto** function
- Footswitches with **SoftCarpet** function

Footswitches (Fig. 23)

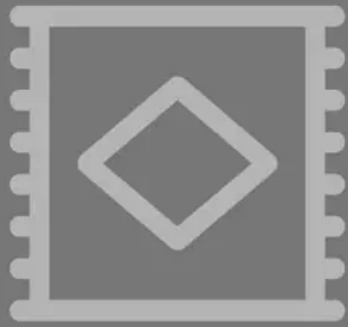


The first time the vacuum cleaner is switched on, the highest power setting will be selected automatically.

After that, the vacuum cleaner will switch on at the power setting that was last used.

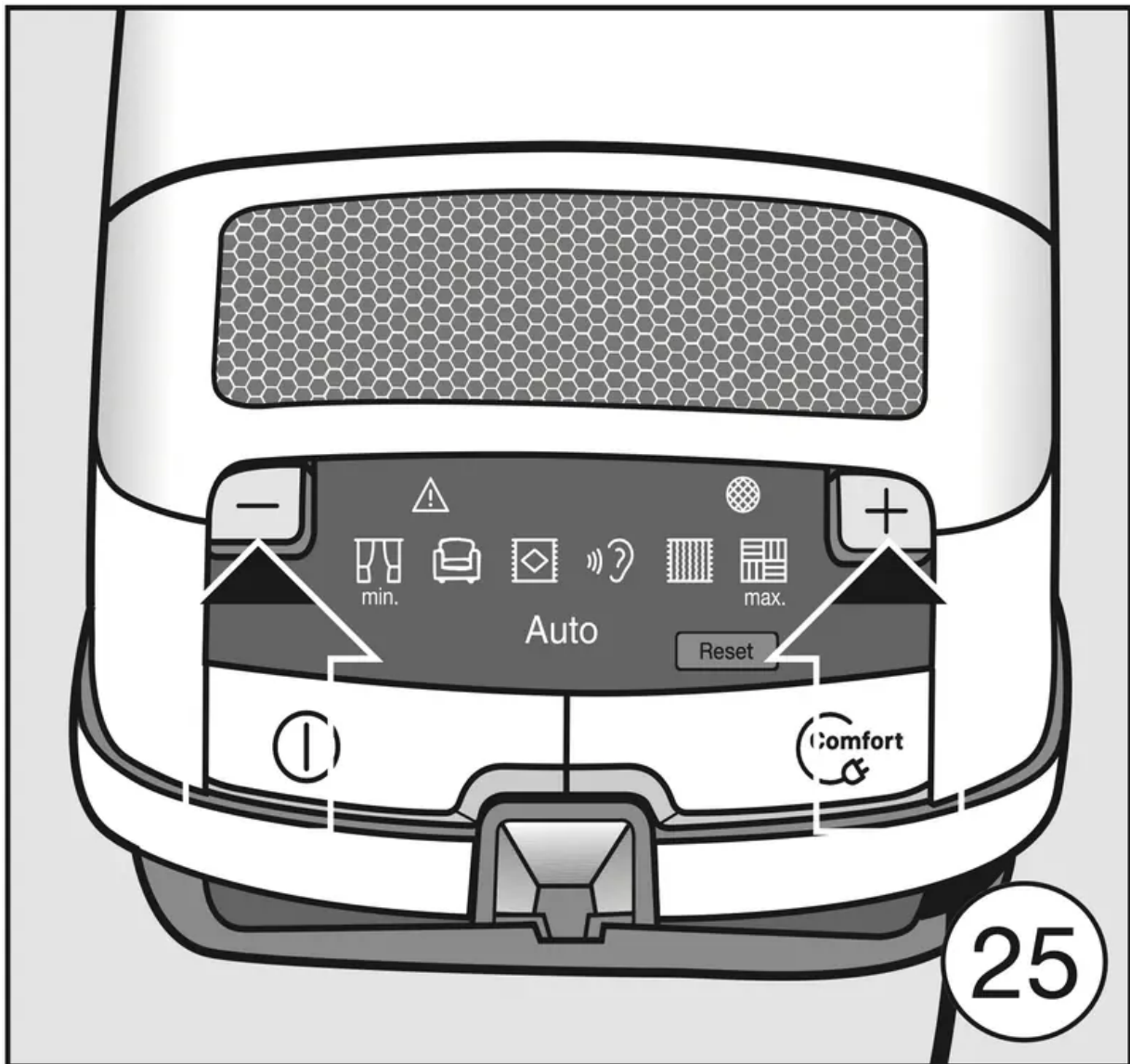
- Press the + footswitch to select a higher suction power.
- Press the - footswitch to select a lower suction power.

Footswitches with Auto (Figs. 24 + 25) function



Auto

24



The first time the vacuum cleaner is switched on, it is in the **Auto** power setting.

- Press the + footswitch to select a higher suction power.
- Press the - footswitch to select a lower suction power.

After that, the vacuum cleaner will switch on at the power setting that was last used.

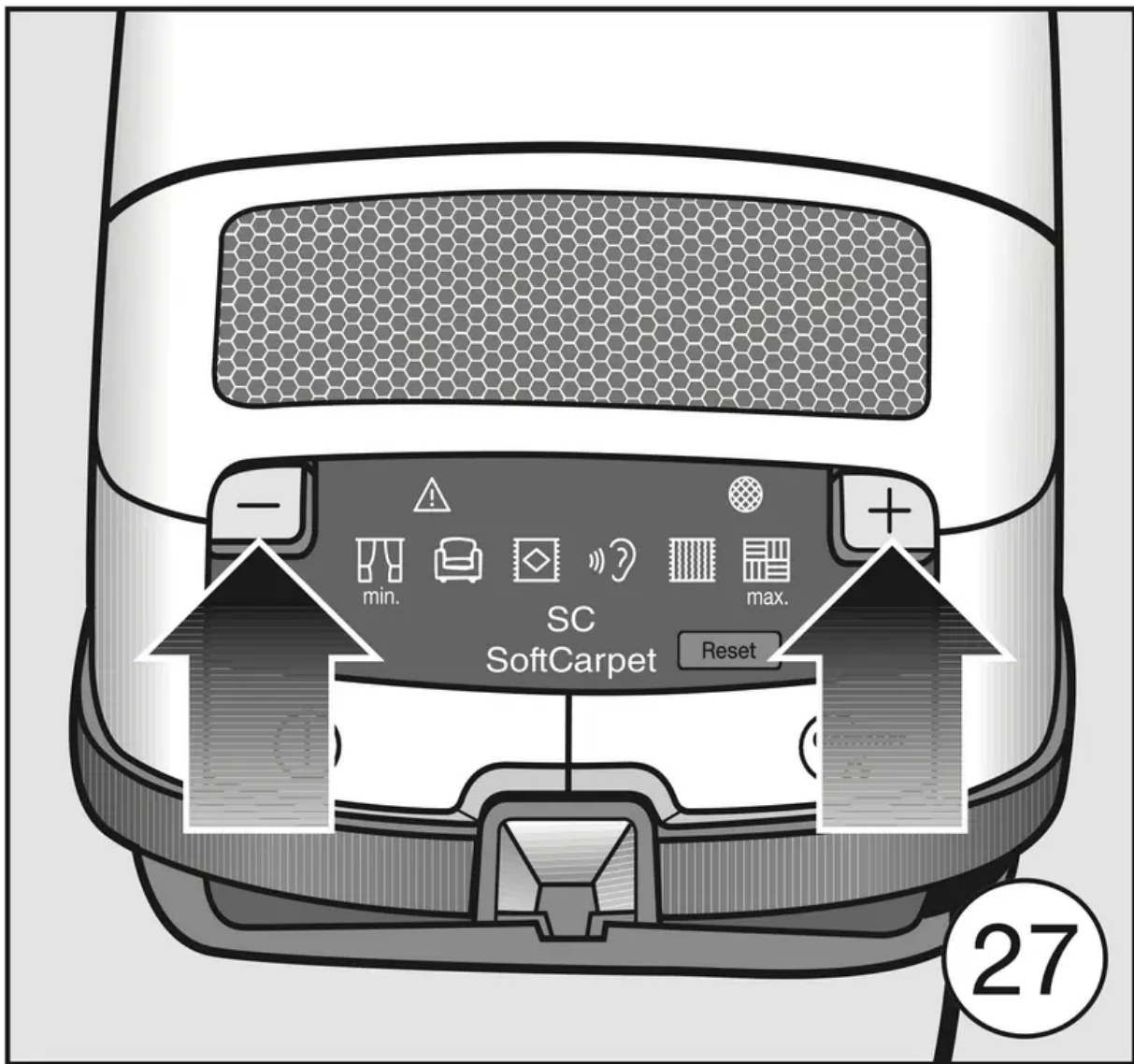
Footswitches with SoftCarpet (Fig. 26 + 27) function



SC

SoftCarpet

26



The first time the vacuum cleaner is switched on, it is in the SoftCarpet power setting.

- Press the - footswitch to select another power setting.

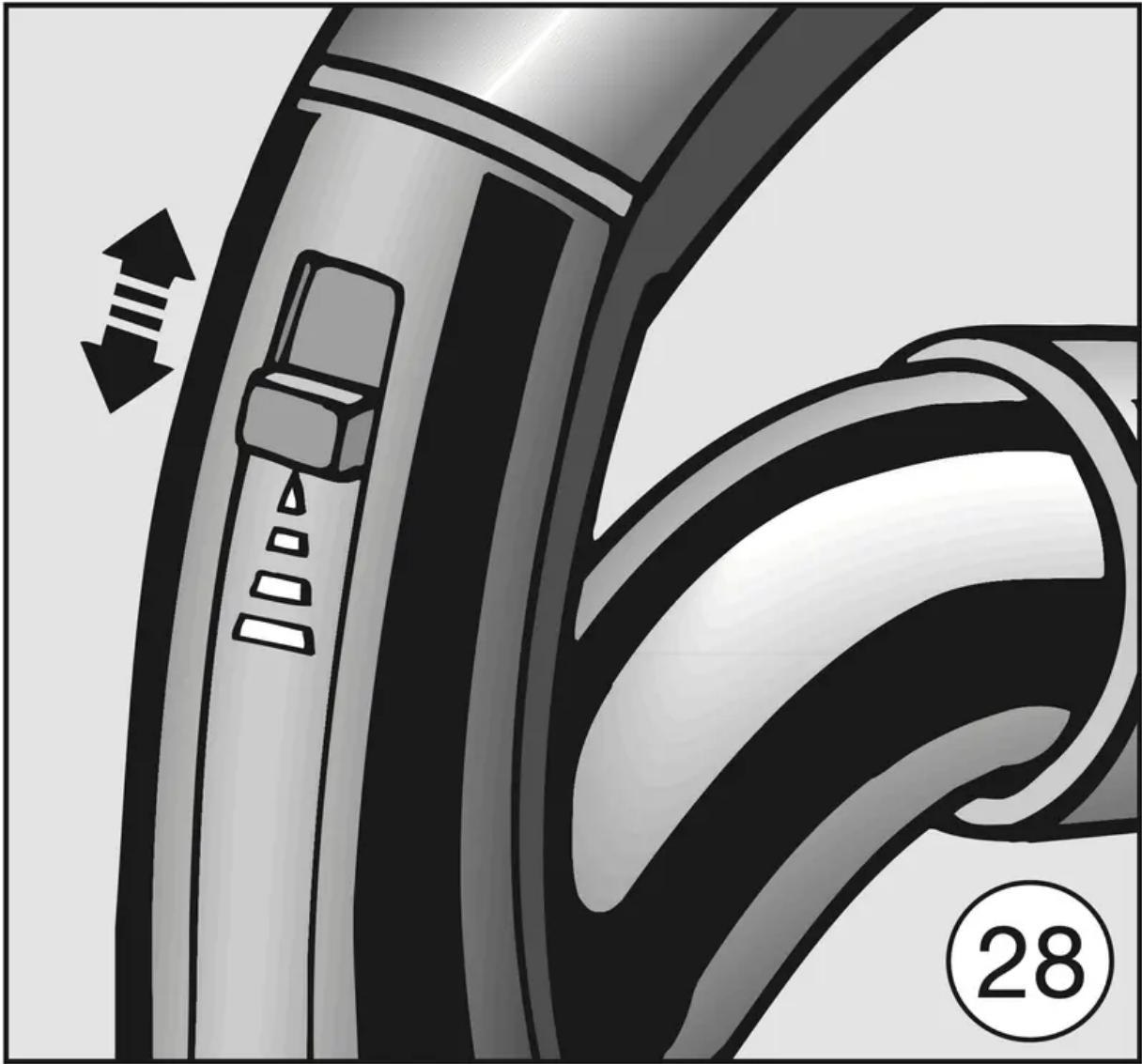
Activating the SoftCarpet power setting:

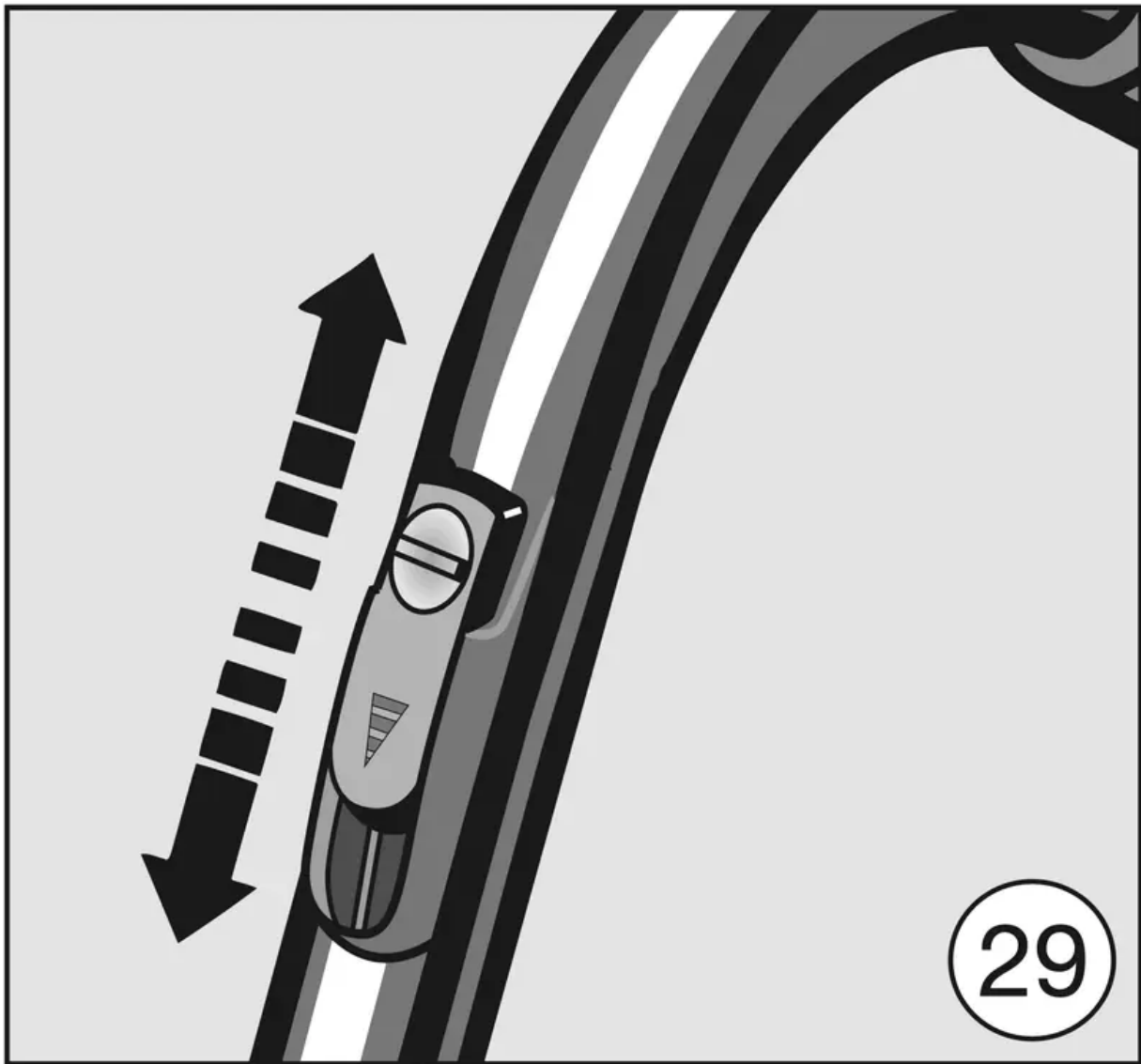
- Press the + footswitch until the maximum power setting has been reached.
- Then press the + footswitch again.

After that, the vacuum cleaner will switch on at the power setting that was last used.

Opening the air inlet valve (Figs. 28 + 29)

(depending on model)





It is easy to reduce the suction power for a short time, e.g., to prevent rugs or other objects being sucked into the vacuum cleaner.

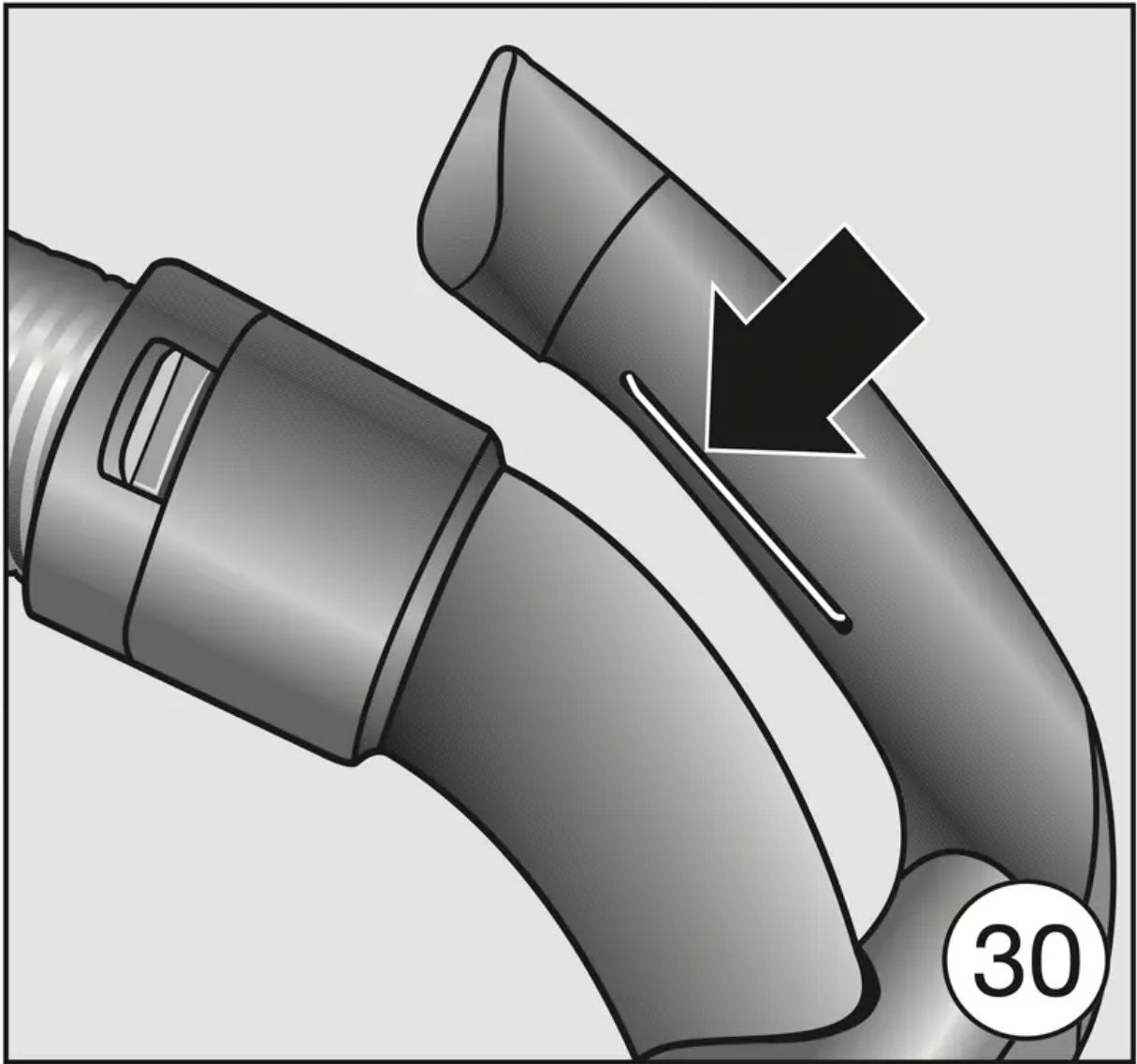
- Open the air inlet valve on the handle far enough to reduce the suction power.

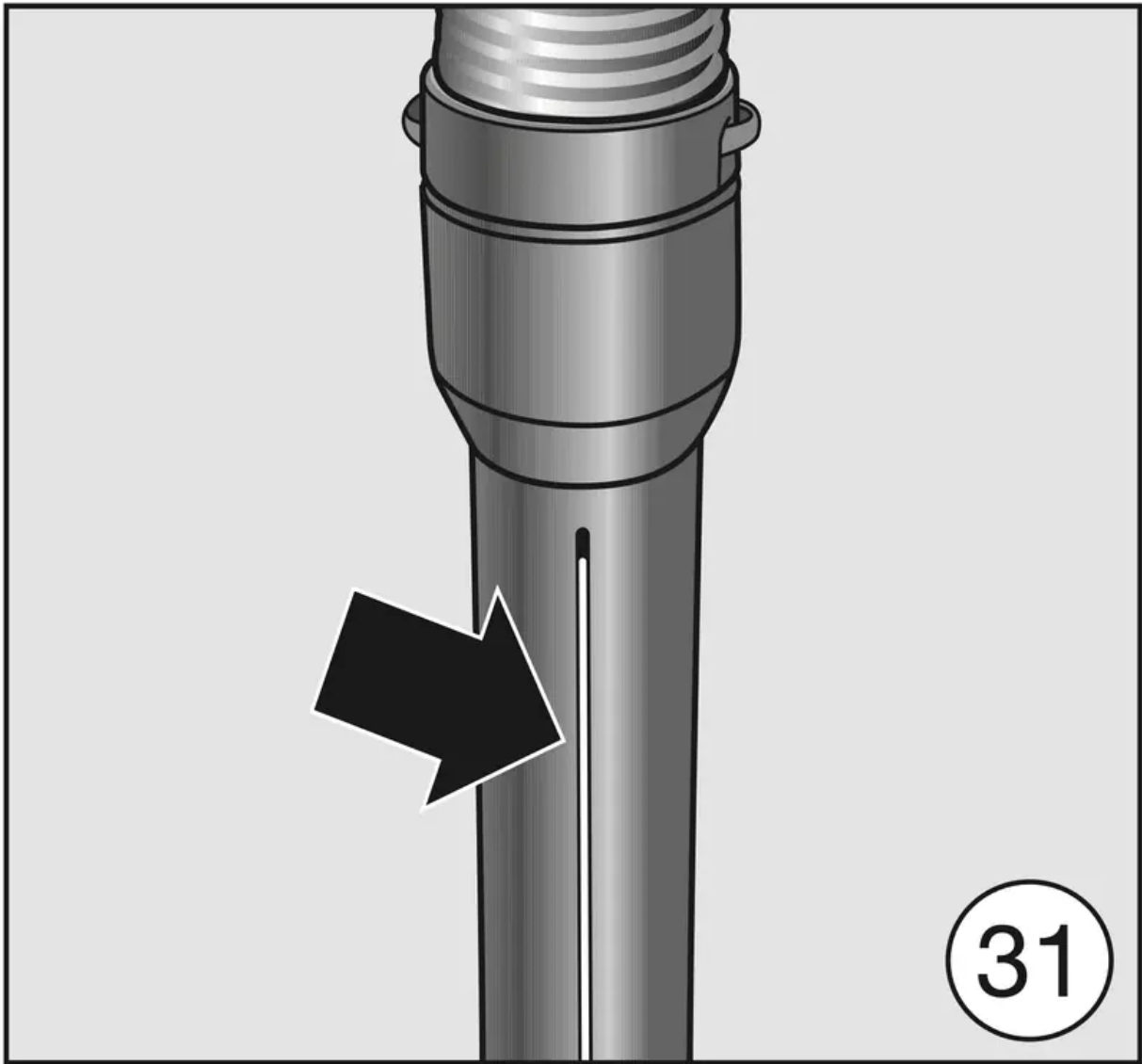
This reduces the suction on the respective nozzle used.

During vacuuming

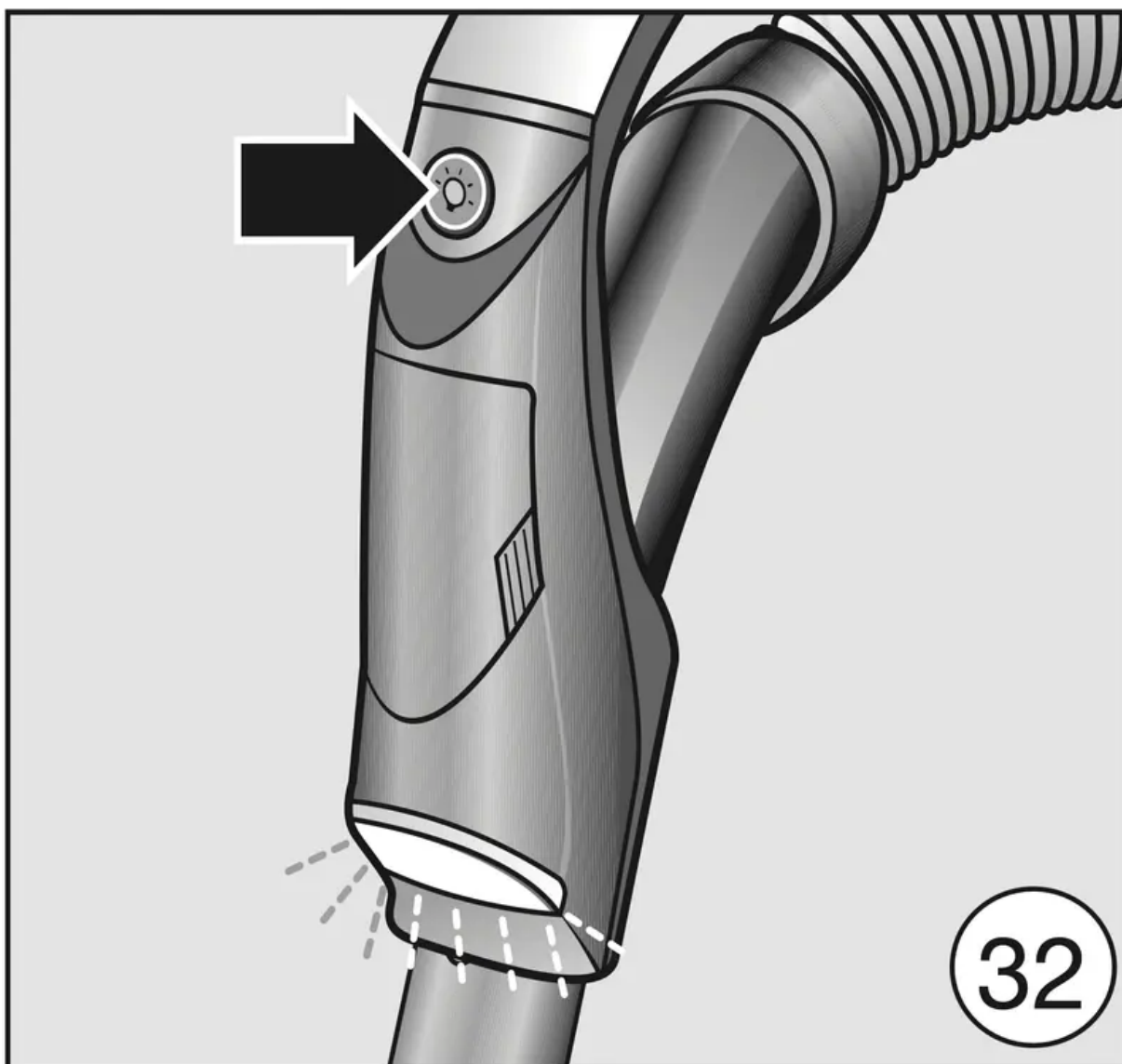
- When vacuuming, pull the vacuum cleaner behind you on its wheels. You can stand it upright for vacuuming stairs and curtains, etc.

CAUTION: When vacuuming, in particular fine dust, e.g. drilling dust, sand, plaster, flour, etc., electrostatic charges build up naturally. Under certain conditions these charges will be released. To avoid the unpleasant effects of these discharges, a metal inlay has been incorporated into the underside of the handle. Please make sure that you keep your hand in constant contact with this metal strip during vacuuming (Figs. 30 + 31).





Illuminating the work area (Fig. 32)
(for models with the LED handle)



Your vacuum cleaner is equipped with an LED on the handle to illuminate the work area.

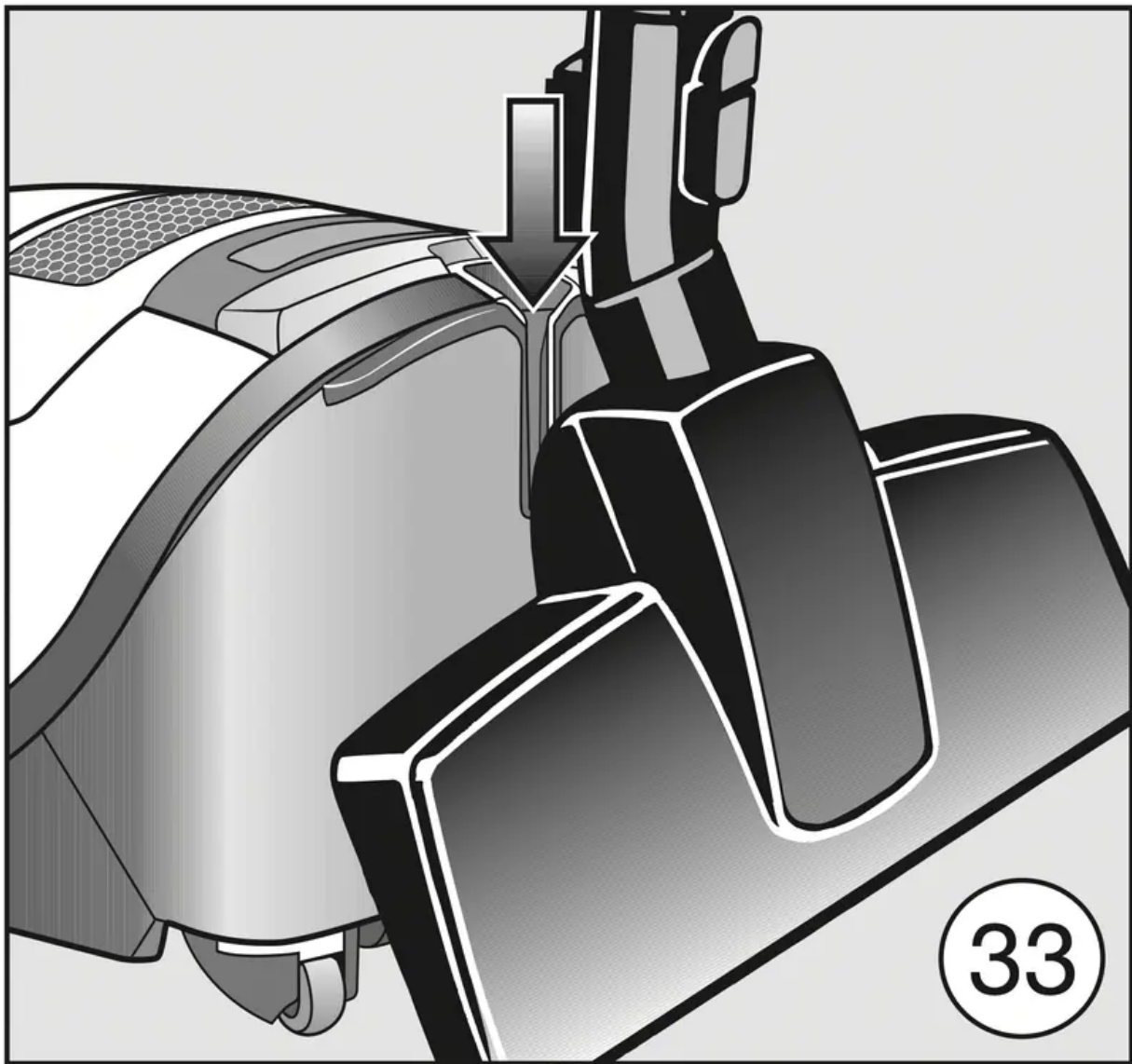
- Press the  button on the LED handle.

The lighting will switch itself off automatically after approx. 30 seconds.

Parking, transport and storage

Park system for pauses during vacuuming (Fig. 33)

(cannot be used with Electrobrushes SEB 228 and SEB 236)



The park system allows you to conveniently park the suction wand and floorhead during pauses.

- Slot the floorhead into the parking attachment on the vacuum cleaner.

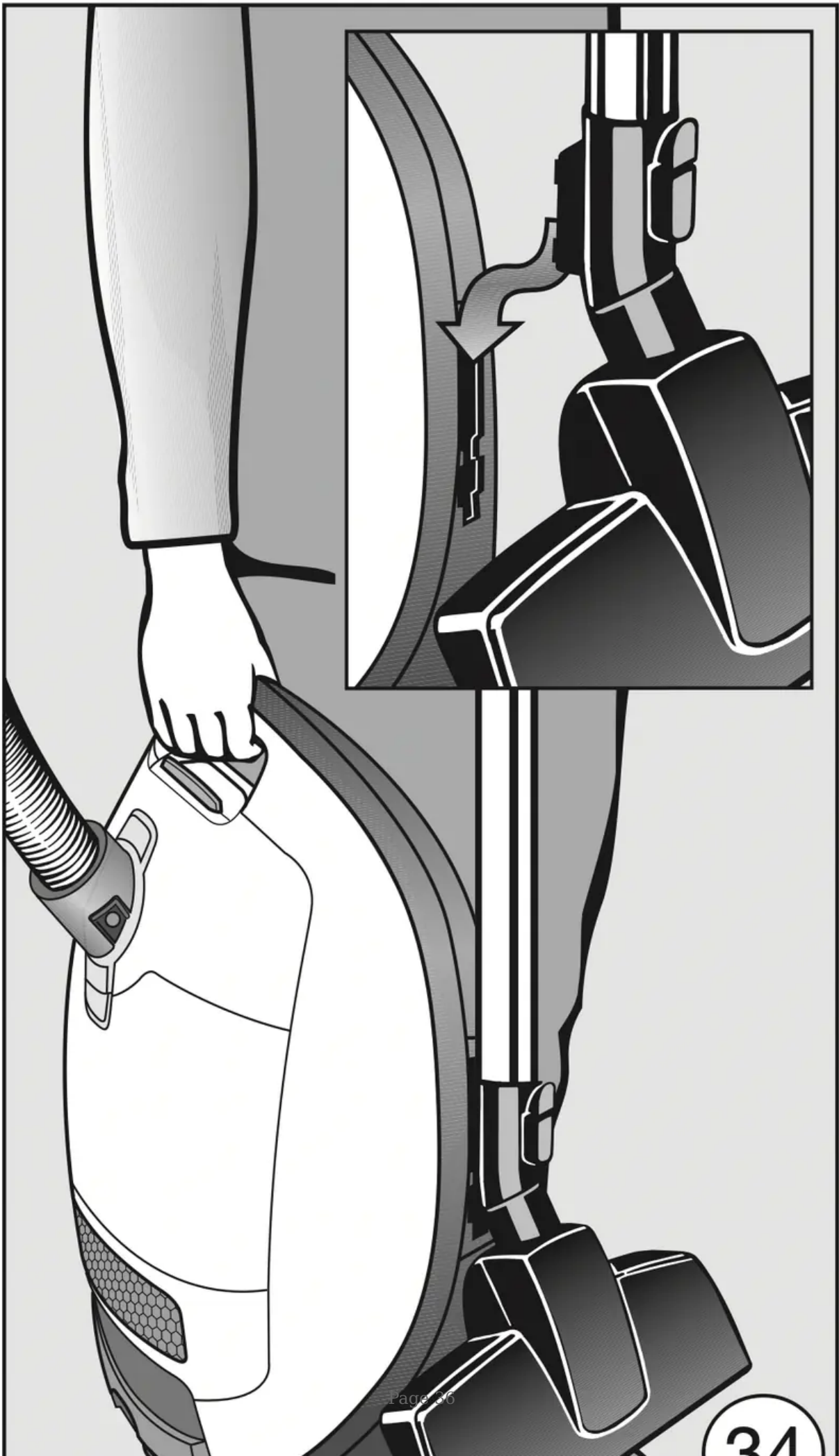
If your vacuum cleaner is on a sloping surface, e.g., a ramp, retract the telescopic suction wand fully.

Park system On/Off switch

Some models are fitted with an On/Off switch in the park system.

The vacuum cleaner switches off automatically when the floorhead is slotted into the park system with the park attachment. When the floorhead is removed the vacuum cleaner will switch back on automatically and will operate with the previously selected setting.

Park system for storage (Fig. 34)



CAUTION: Always disconnect the vacuum cleaner from the power supply when you have finished using it. Remove the plug from the outlet.

If your vacuum cleaner is equipped with a lit park system for storage, it switches off about 30 seconds after being disconnected from the power supply.

- Stand the vacuum cleaner upright.

It is a good idea to retract the telescopic suction wand fully.

- Slot the floorhead downwards into one of the parking attachments on either side of the vacuum cleaner (the parking attachments cannot be used with Electrobrushes SEB 228 and SEB 236).

This makes the vacuum cleaner easier to carry or store.

Maintenance

CAUTION: Always switch off the vacuum cleaner for maintenance work and remove the plug from the outlet.

The Miele filtration system consists of three components:

- Original Miele FilterBag
- Motor protection filter
- Original Miele exhaust filter

These will need to be replaced from time to time to ensure that your vacuum cleaner performs efficiently.

We recommend only using genuine FilterBags, filters, and accessories with the "Original Miele" logo on them. This will ensure that the suction power of the vacuum cleaner is maintained, giving the best possible cleaning results.

FilterBags with the "Original Miele" logo on them are not made from paper or paper-based materials and nor do they have a cardboard collar. This is why our FilterBags are particularly long-lasting and reliable.

Please note that appliance faults and damage originating from the use of accessories which do not carry the "Original Miele" logo will not be covered by the appliance guarantee.

Purchasing new FilterBags and filters

Original Miele FilterBags and filters are available from the Miele Webstore and your Miele dealer.

Ordering the correct FilterBags and filters

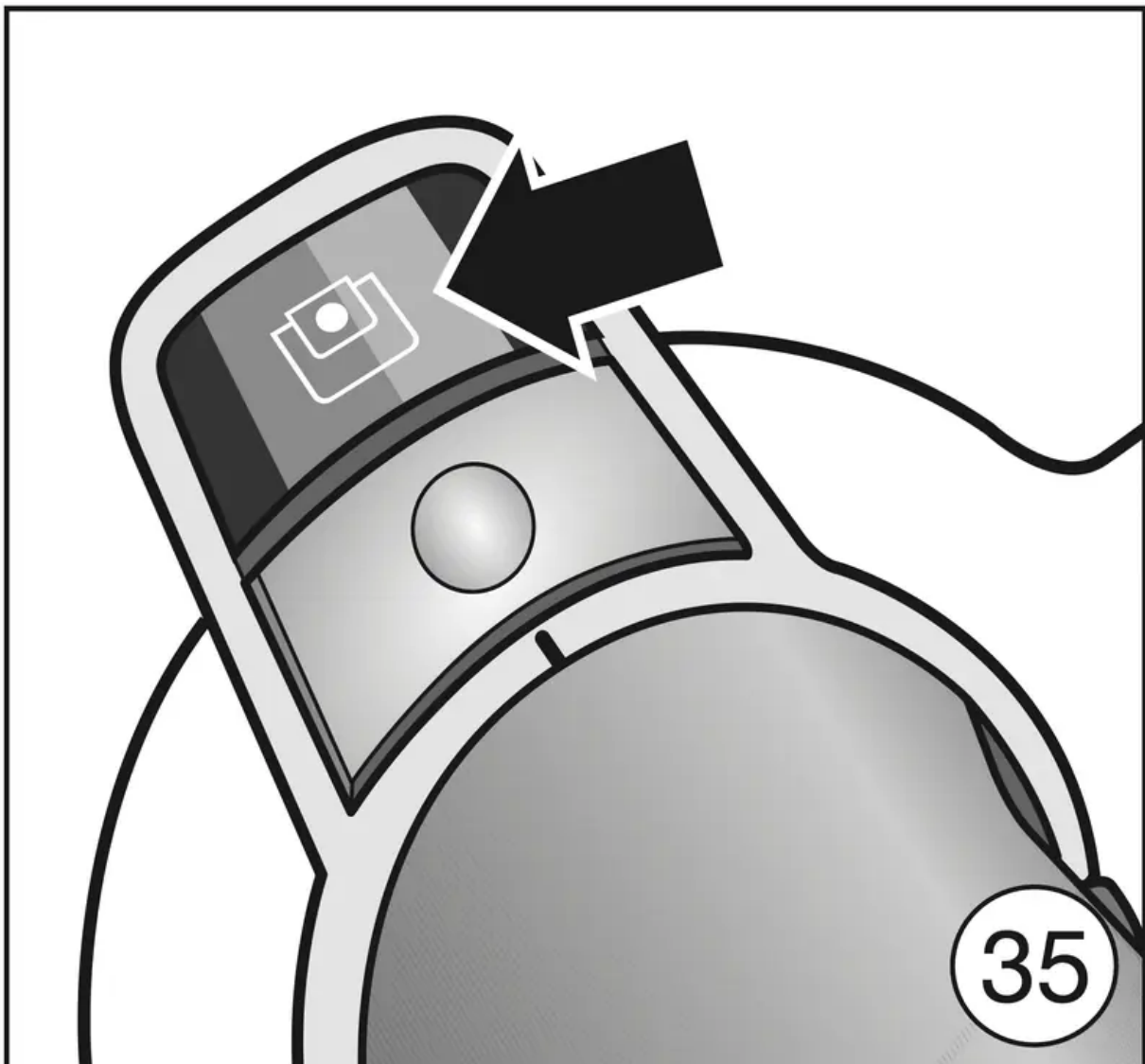
Only use original Miele **GN** FilterBags with a **blue** collar and original Miele filters. These are identified by the "ORIGINAL Miele" logo on the packaging.



An AirClean filter and a motor protection filter are supplied with every packet of Miele FilterBags.

Original Miele exhaust filters can also be purchased separately from your Miele dealer or Miele Technical Service. Please quote the model number of your vacuum cleaner when ordering to make sure you get the correct filter. You can also order all accessories via the Miele Webstore.

When to change the FilterBag (Fig. 35)



Change the FilterBag when the color marker in the FilterBag change indicator turns red, or sooner if it is no longer effective (see possible reasons for this below).

Miele FilterBags are disposable and designed for single use only. Dispose of the FilterBag when full. Do not attempt to reuse. Blocked pores in used FilterBags will reduce the suction power of the vacuum cleaner.

Checking the FilterBag change indicator

- Attach the floor brush to the vacuum cleaner (depending on the model).
- Switch the vacuum cleaner on and select the highest power setting.
- Lift the floor brush off the floor a little.

How the FilterBag change indicator works

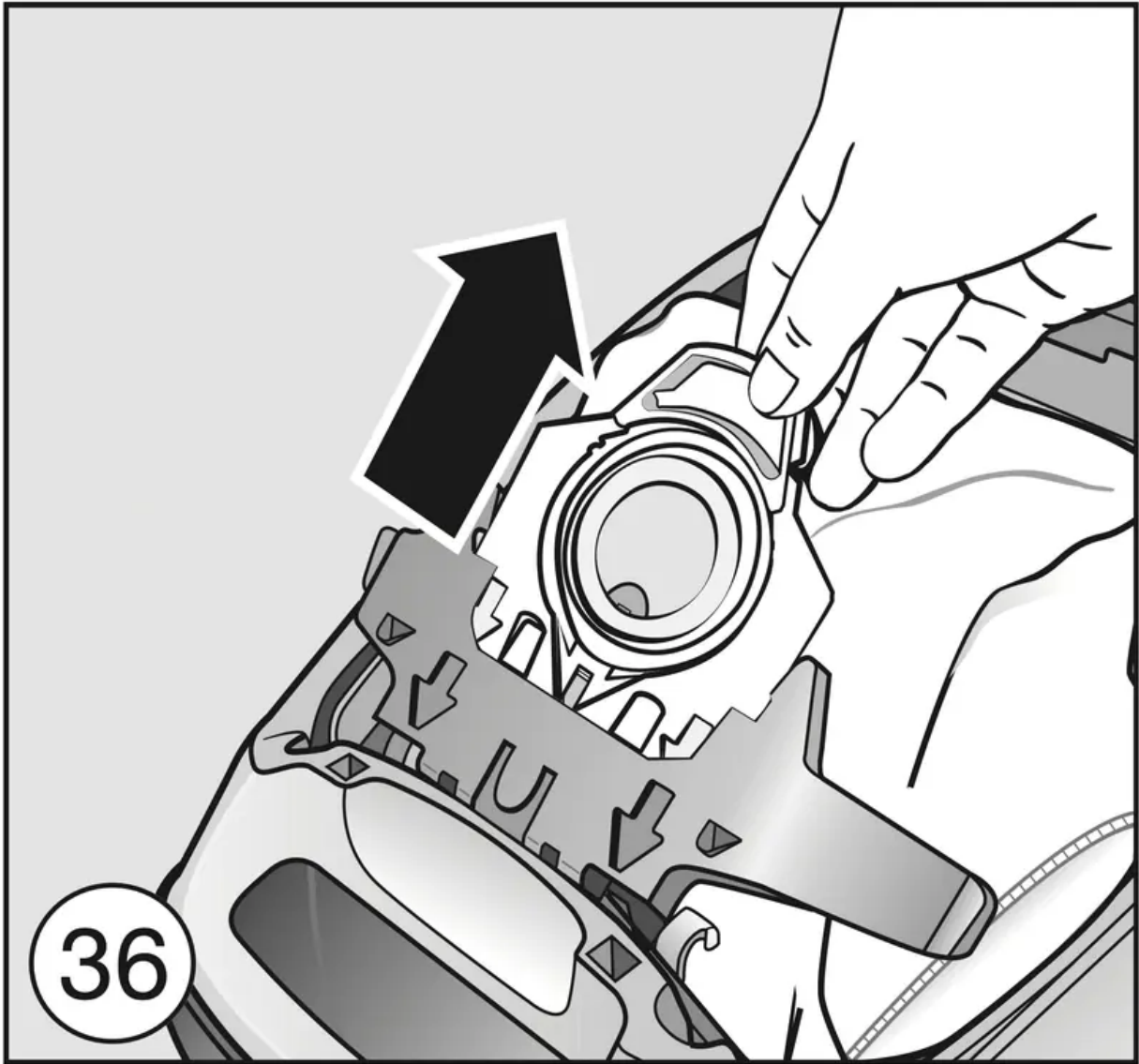
The FilterBag change indicator is set for normal household dust. This generally contains a mixture of dust, hair, threads, carpet lint, grit, etc.

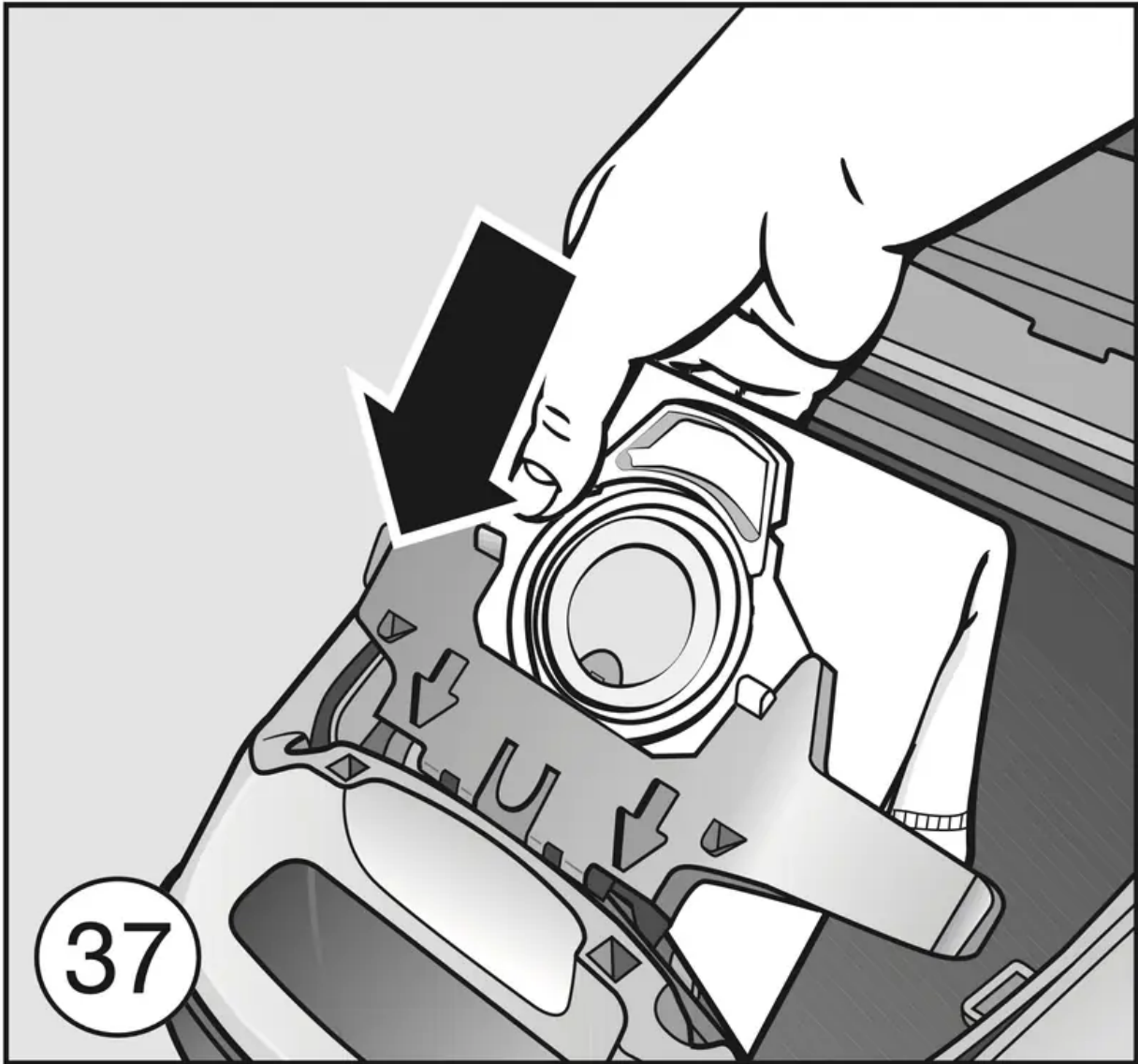
However, if the cleaner has been used to vacuum up fine dust, such as plaster, brick dust, cement or flour, the pores of the FilterBag will become blocked very quickly.

This affects the air permeability of the bag, and the marker will indicate that the bag is "full" even when it is not. If this happens you must still change the FilterBag because suction power will be greatly reduced by blocked pores in the FilterBag.

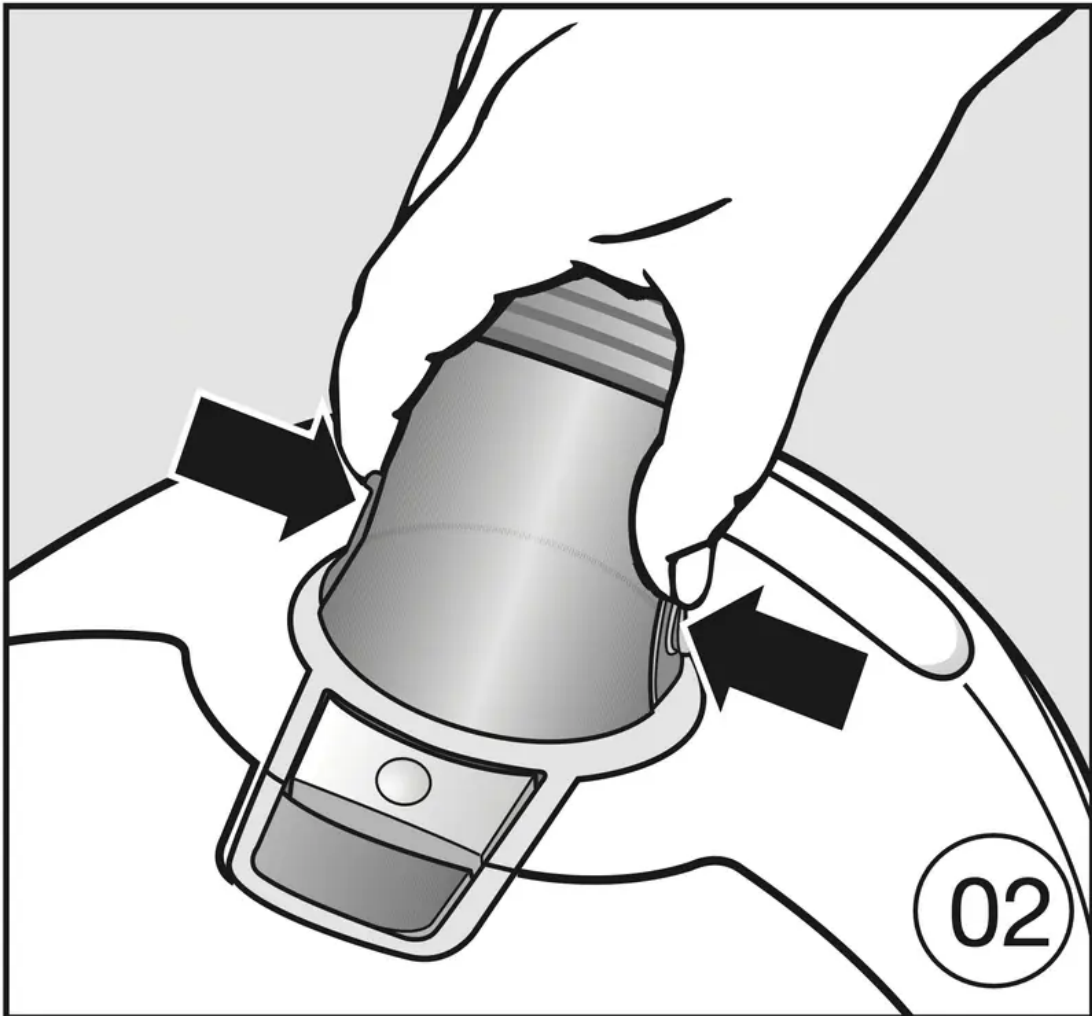
If, on the other hand, a large amount of hair and carpet lint which typically contains a lot of air is vacuumed up, the indicator may fail to react even though the bag is full. You should still change it. Both these extremes can occur.

Replacing the FilterBag (Figs. 36 + 37)

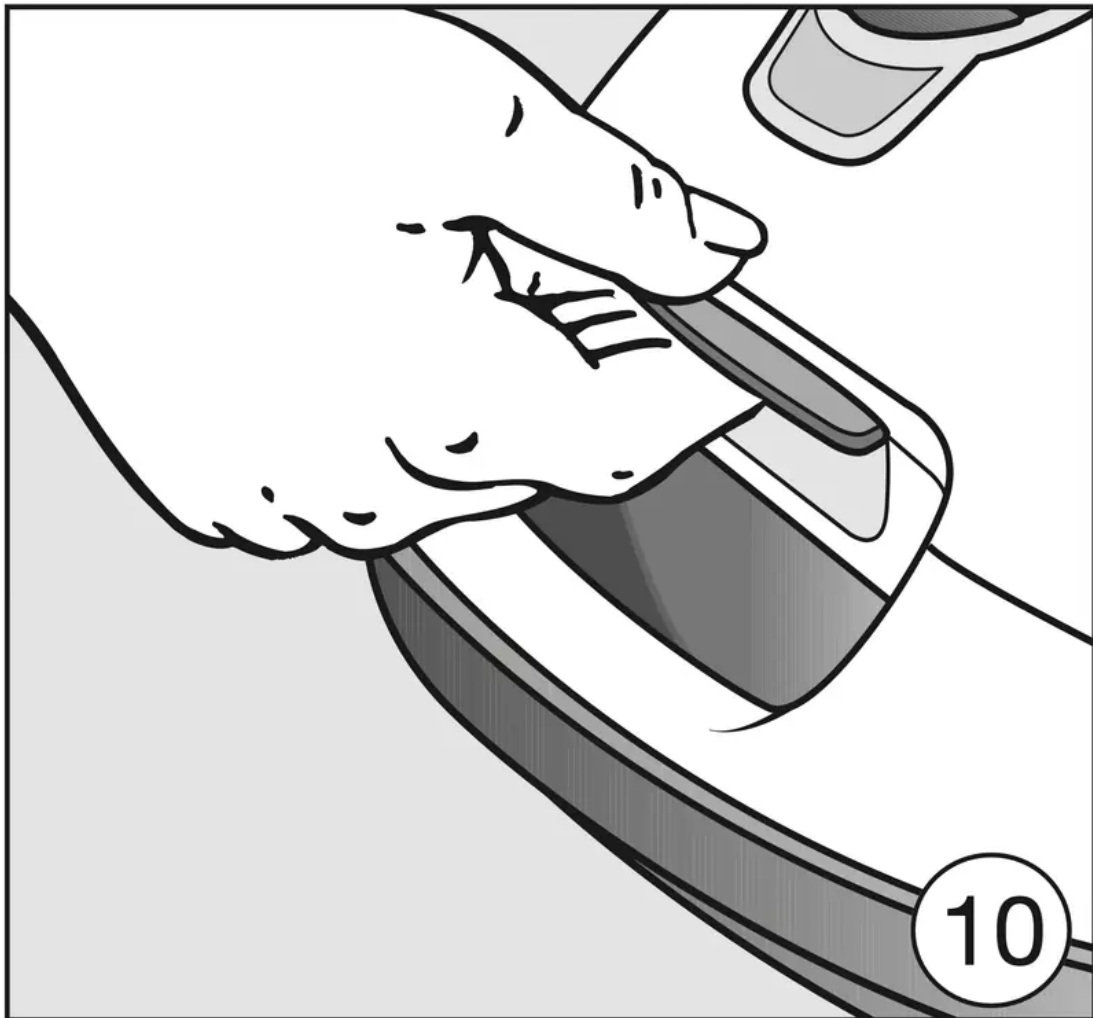




- Press the release buttons at the side of the hose connector, and remove the hose from the suction opening (Fig. 02).



- Lift the release button for the dust compartment lid and raise the lid until it engages (Fig. 10).

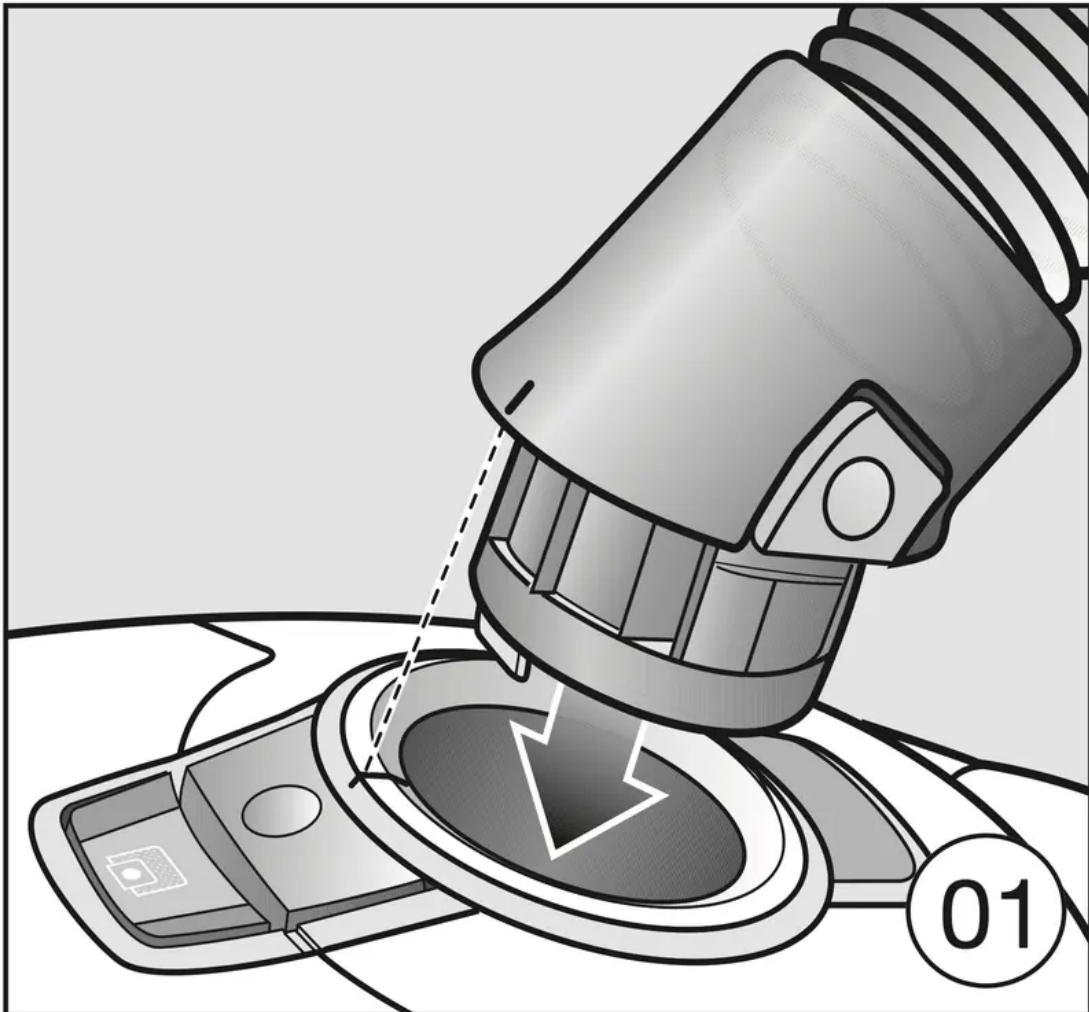


The FilterBag has a closing flap which closes automatically when the dust compartment lid is raised to prevent any dust escaping.

- Pull the FilterBag out by the grip on the collar.
- Insert the new FilterBag into the blue holder as far as it will go. Leave it folded up when you take it out of the box.
- It should be unfolded as far as possible in the dust compartment.
- Close the dust compartment lid securely, making sure it clicks into position. Take care not to trap the FilterBag when doing so.

An empty operation lock prevents the FilterBag from closing without a FilterBag in place. Do not force it!

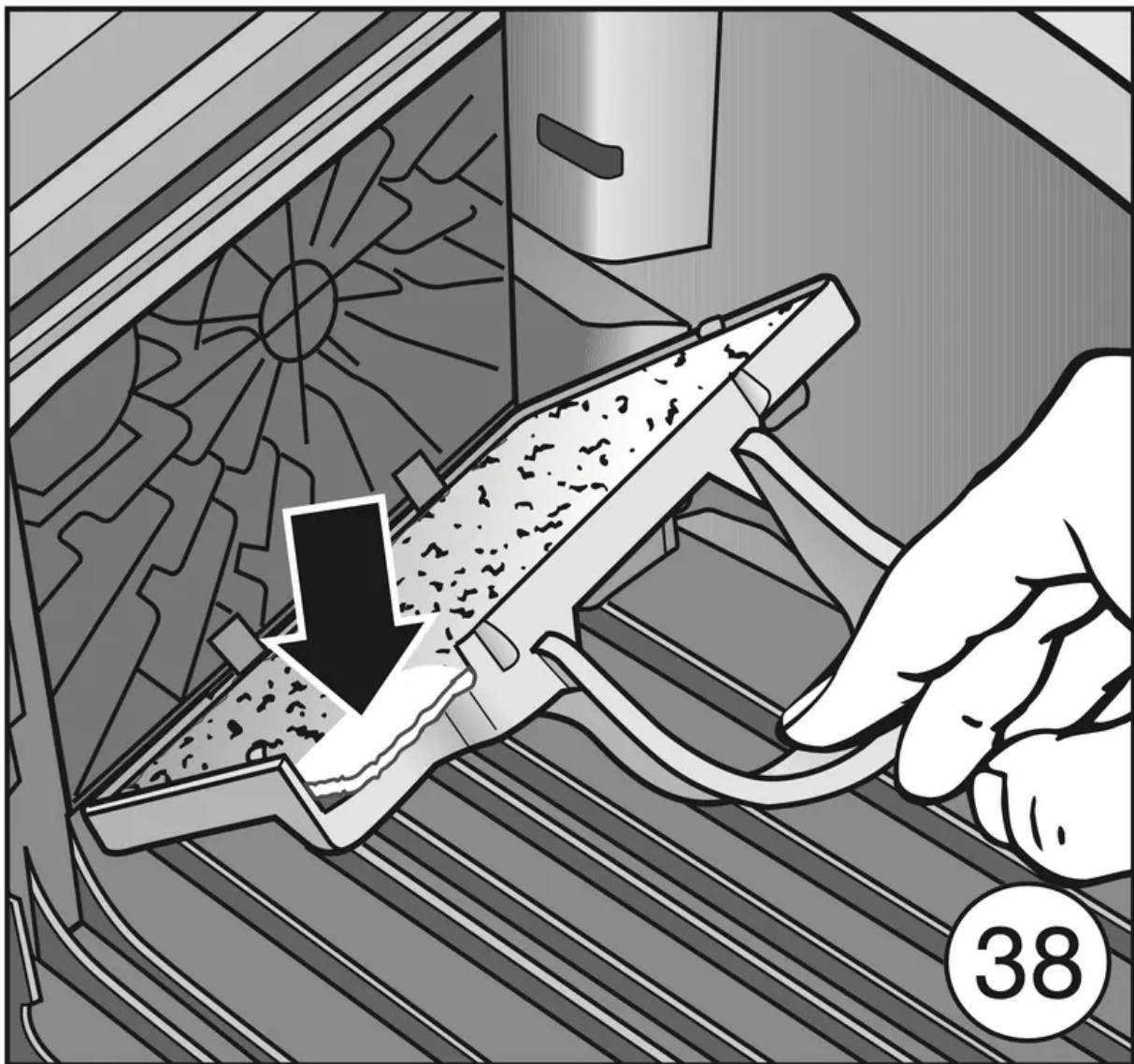
- Insert the hose connector into the suction socket on the vacuum cleaner until it clicks into position. To do this, line up the guides on the two pieces (Fig. 01).



When to change the dust compartment filter

Replace this filter every time you start a new packet of FilterBags. A dust compartment filter is supplied with every packet of Miele FilterBags.

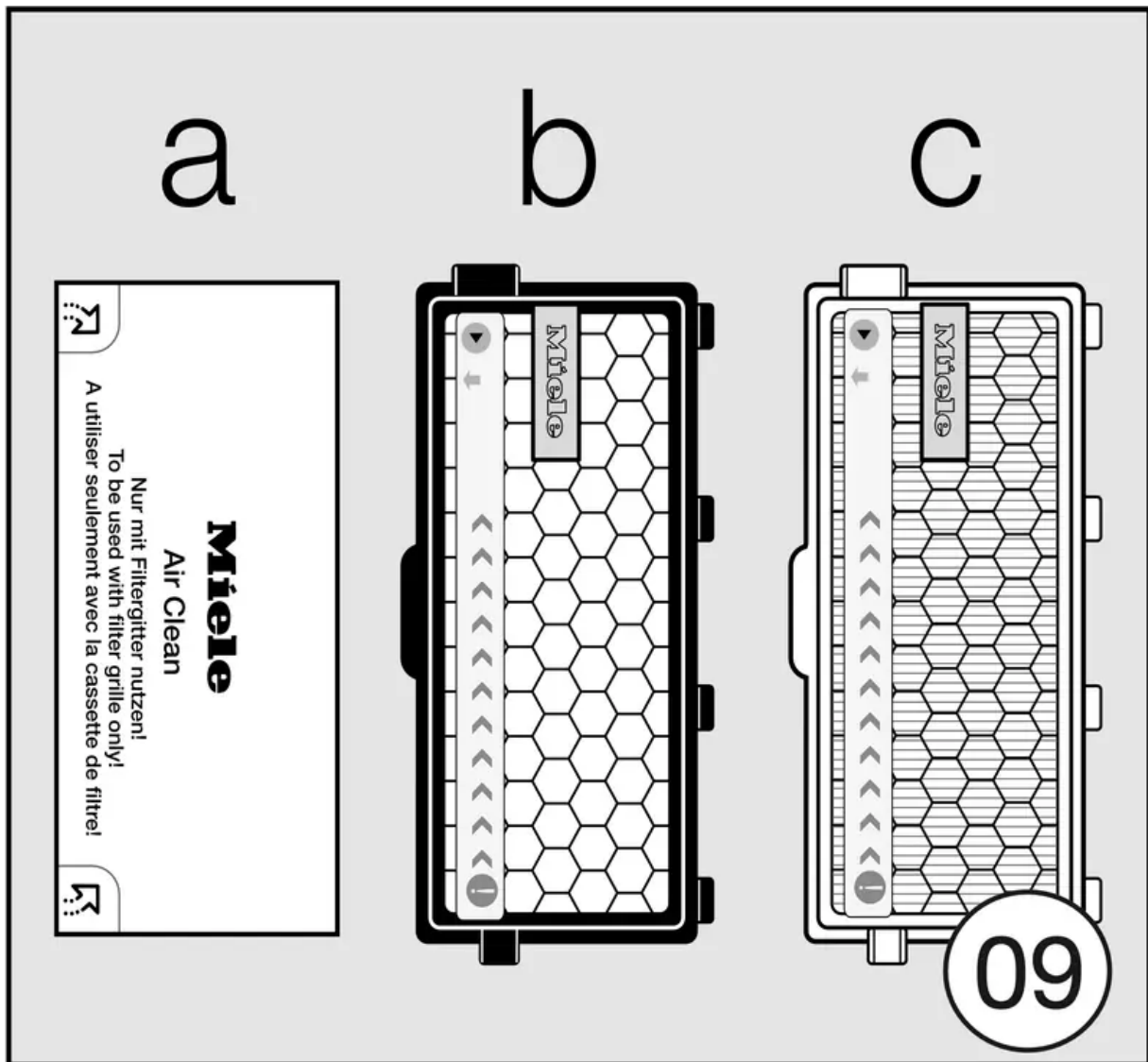
Changing the dust compartment filter (Fig. 38)



- Open the dust compartment lid.
- Pull the FilterBag out by the grip on the collar.
- Open the **blue filter frame** fully and remove the old filter. Hold by the clean, unsoiled section to remove it.
- Replace with a new dust compartment filter (for motor protection).
- Close the filter frame.
- Insert the FilterBag into the blue holder as far as it will go.
- Close the dust compartment lid securely, making sure it clicks into position. Take care not to trap the FilterBag when doing so.

When to replace the exhaust filter

Depending on the model, your vacuum cleaner will come with one of the following exhaust filters (Fig. 09) as standard:



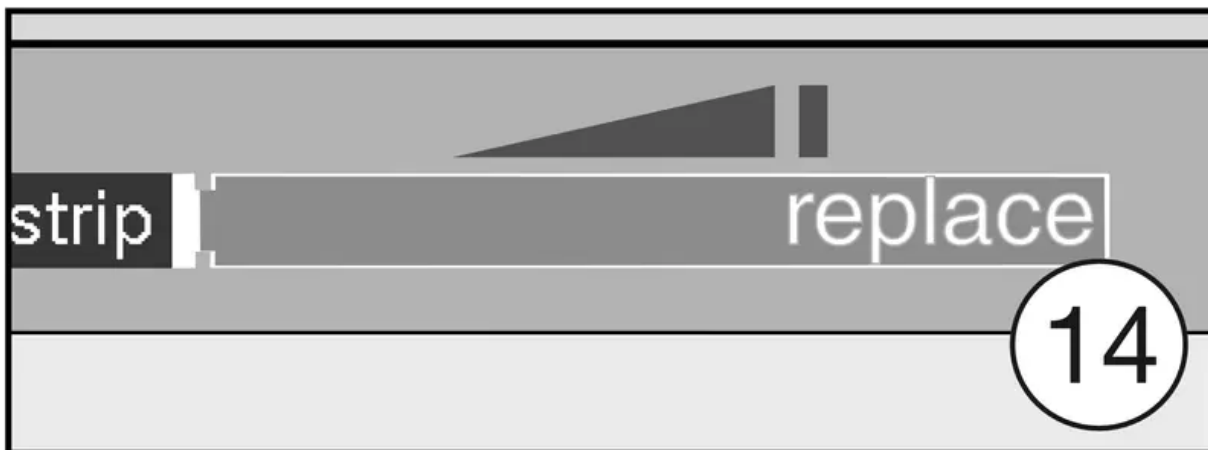
a AirClean

Replace this filter every time you start a new packet of Miele FilterBags. An AirClean exhaust filter is supplied with every packet of Miele FilterBags.

b Active AirClean 50 (black)

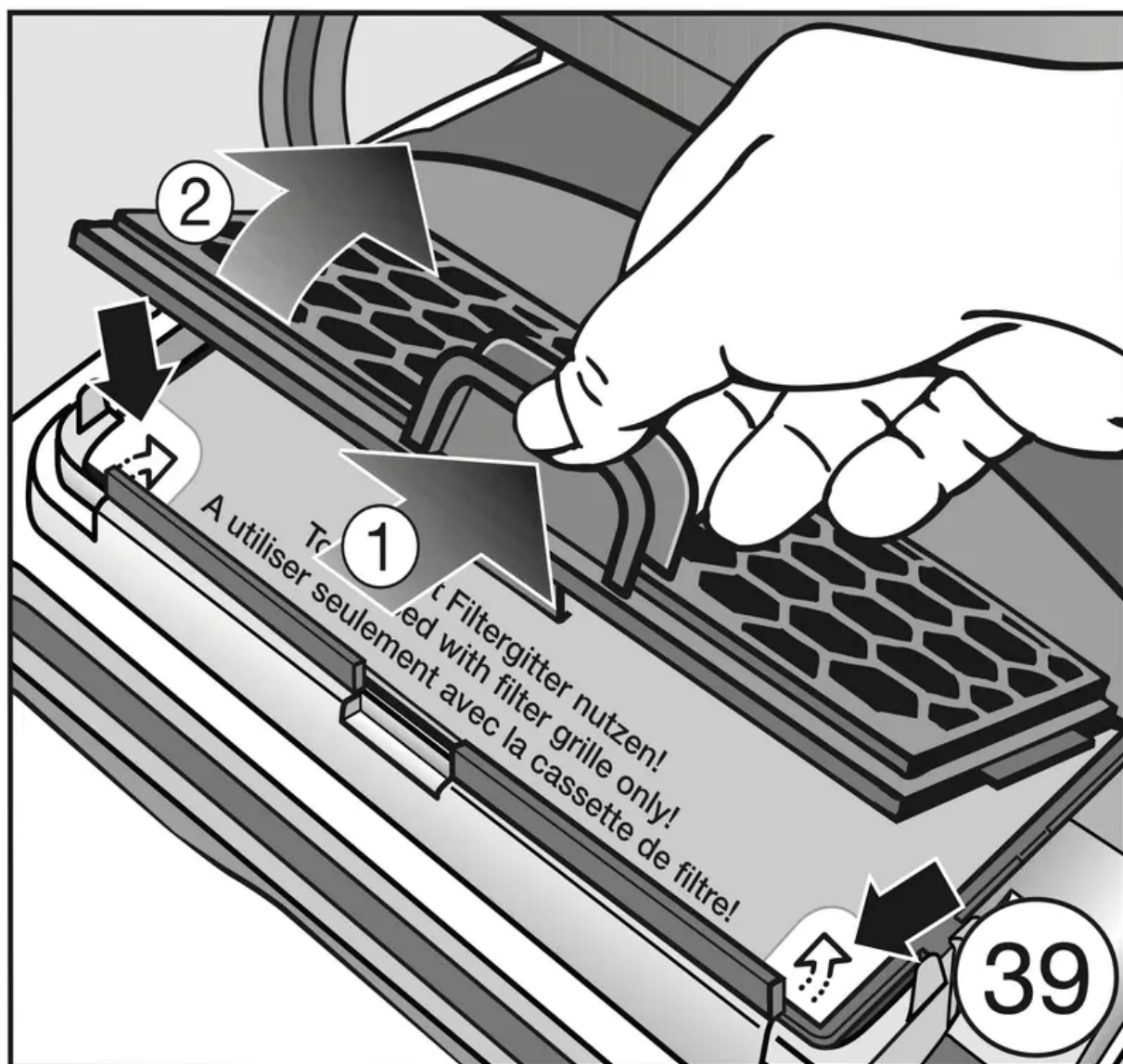
c HEPA AirClean 50 (white)

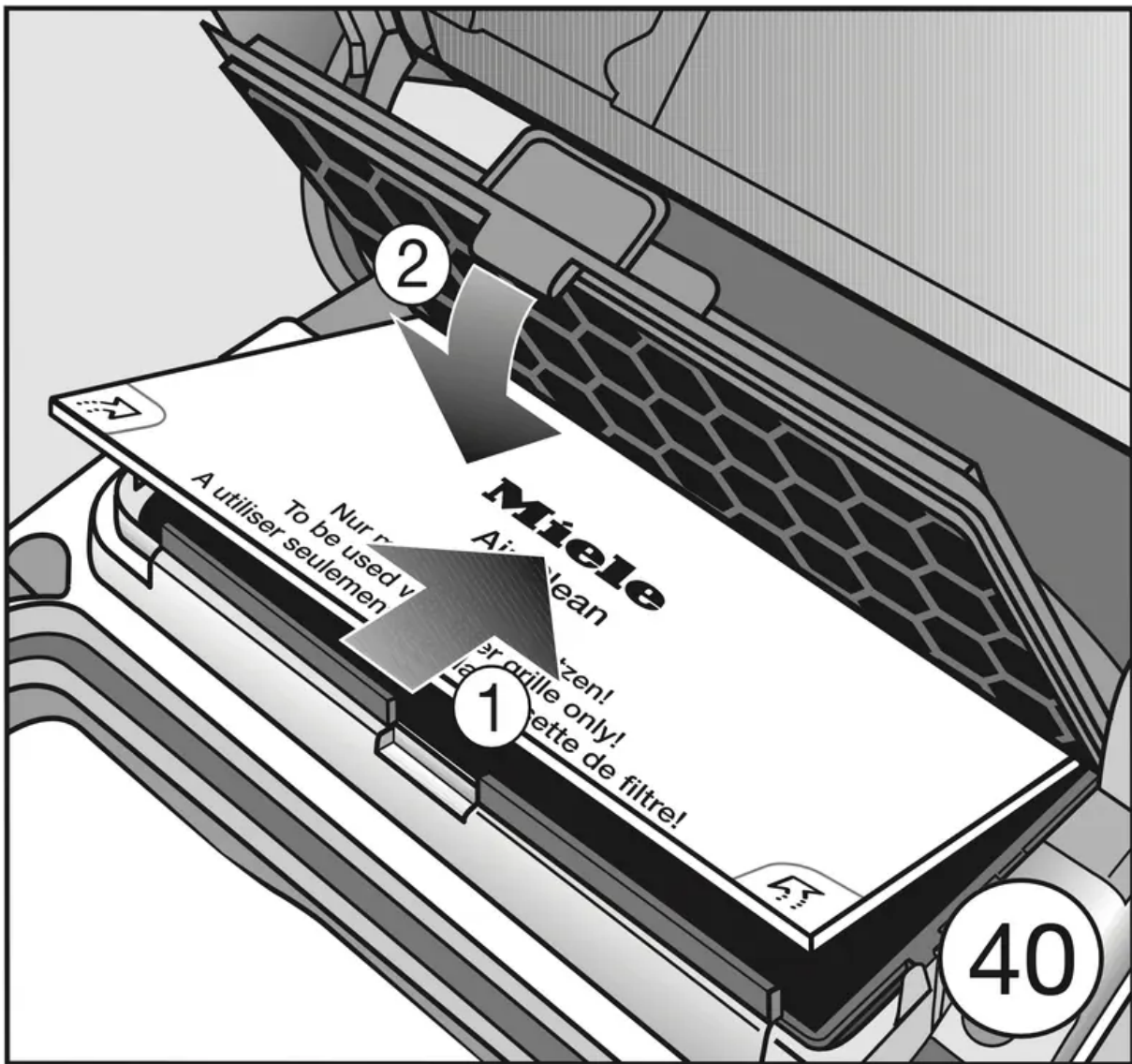
Replace if the display for the exhaust filter change indicator is completely filled with red (Fig. 14). This occurs after approx. 50 hours of operation which is equivalent to about a year of average use. The vacuum cleaner can still be used.



However, the suction power will be reduced as will the effectiveness of the filter if it is not replaced in good time.

How to replace the AirClean filter (Figs. 39 + 40)





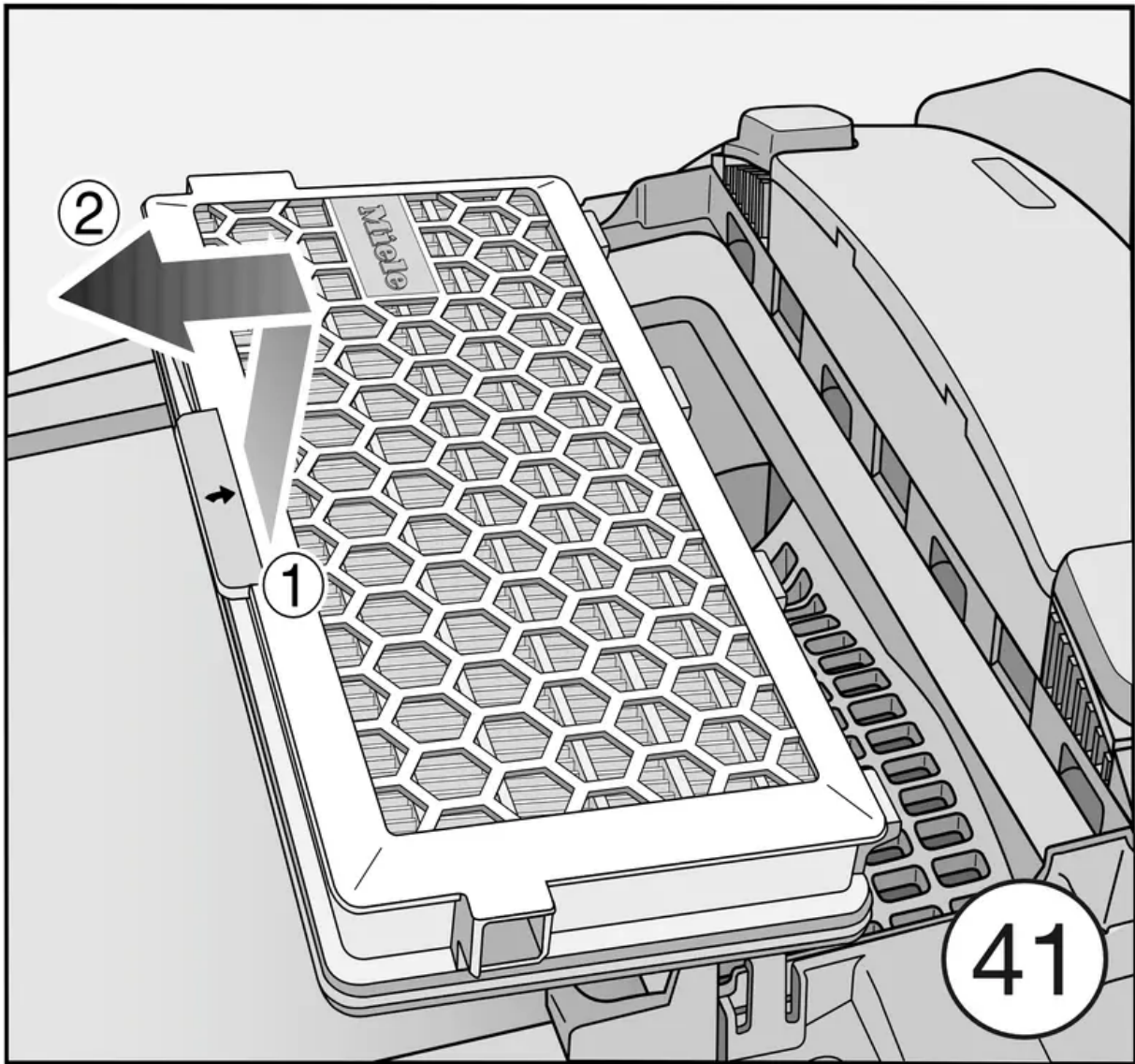
Do not use more than one exhaust filter at a time.

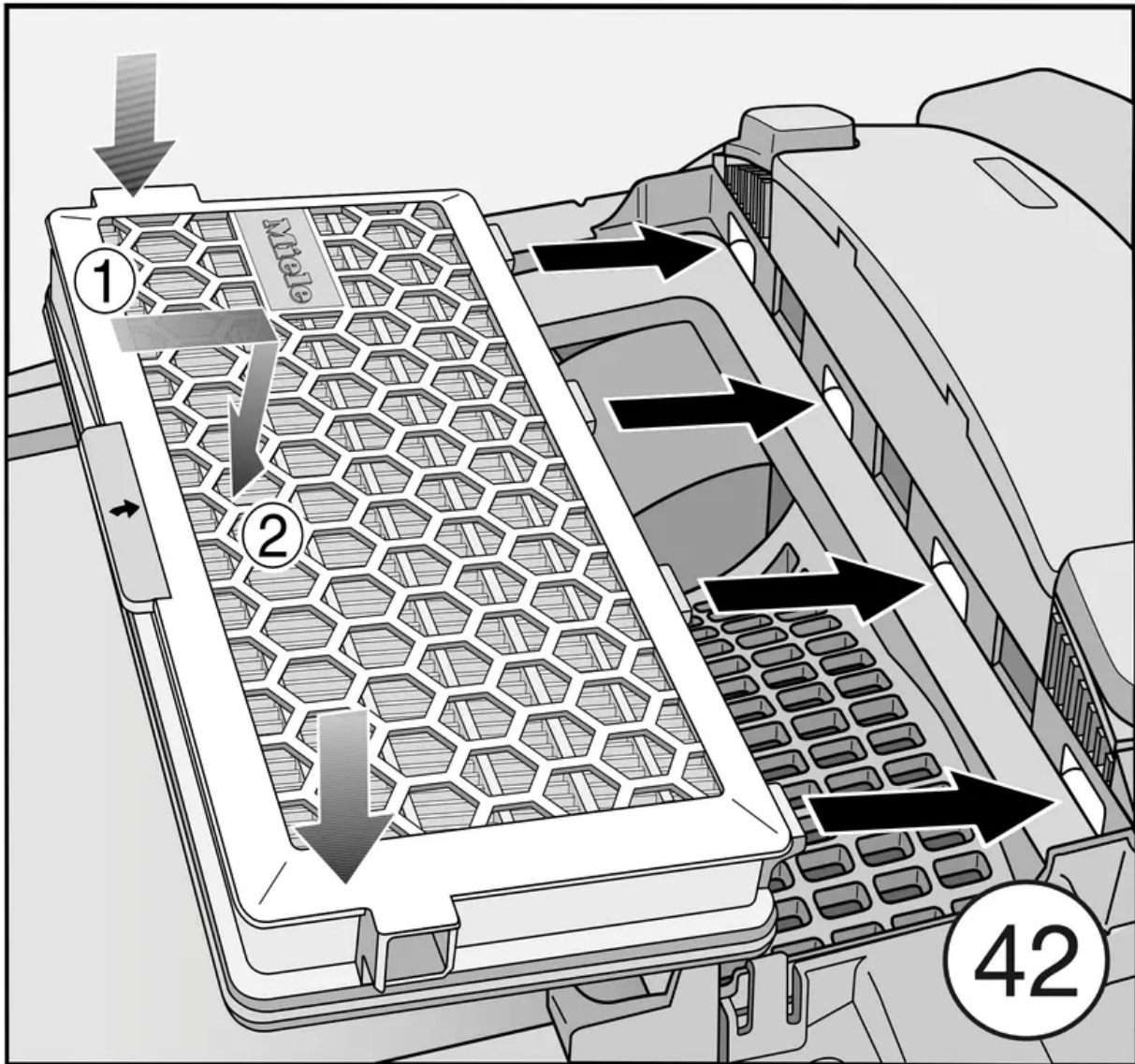
- Open the dust compartment lid.
- Press the release catch on the filter grille and open the grille until it clicks.
- Grasp the used AirClean exhaust filter by one of the clean, unsoiled sections and take it out.
- Replace it with a new AirClean exhaust filter.

If you wish to fit an Active AirClean 50 or HEPA AirClean 50 exhaust filter, see "Replacing one type of exhaust filter with another."

- Close the filter frame.
- Close the dust compartment lid.

Replacing the Active AirClean 50 and HEPA AirClean 50 exhaust filters (Figs. 41 + 42)

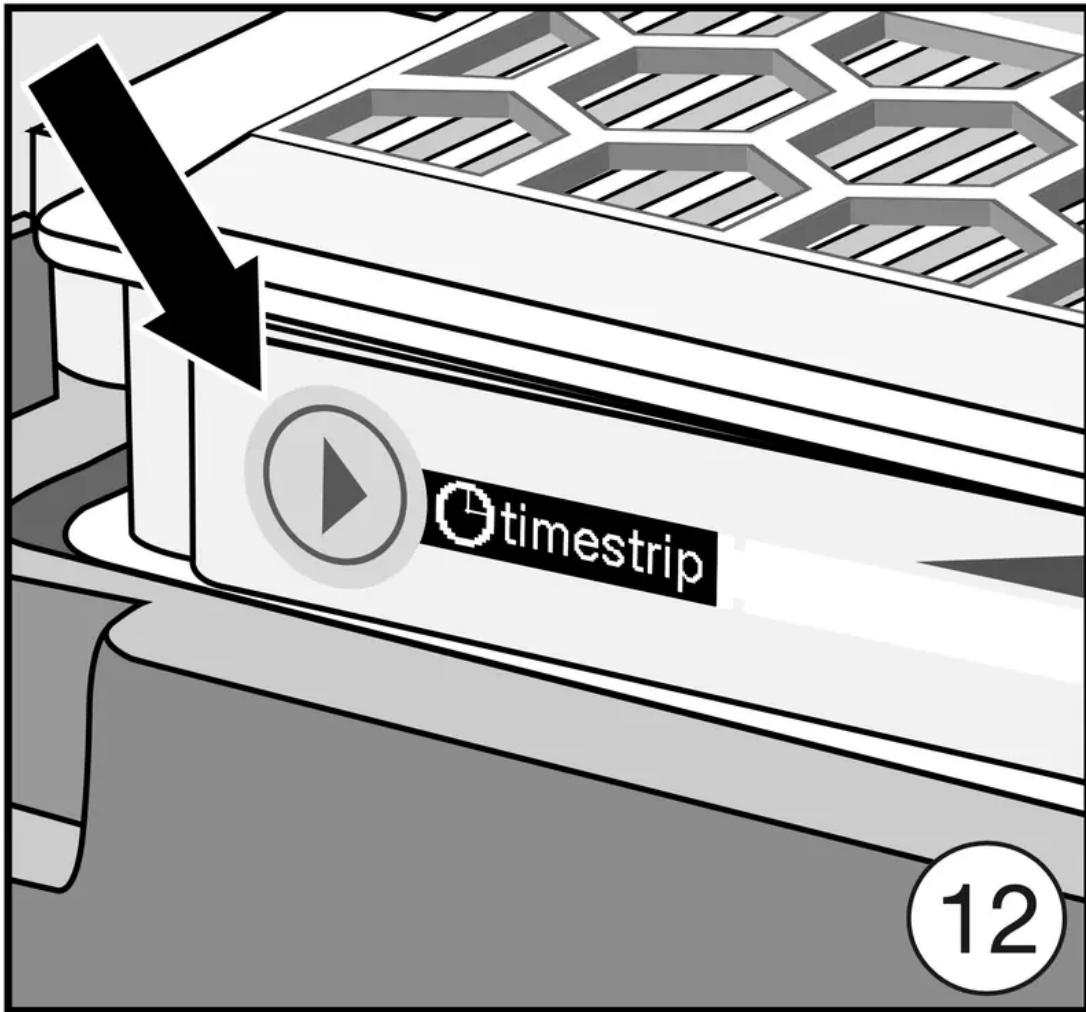




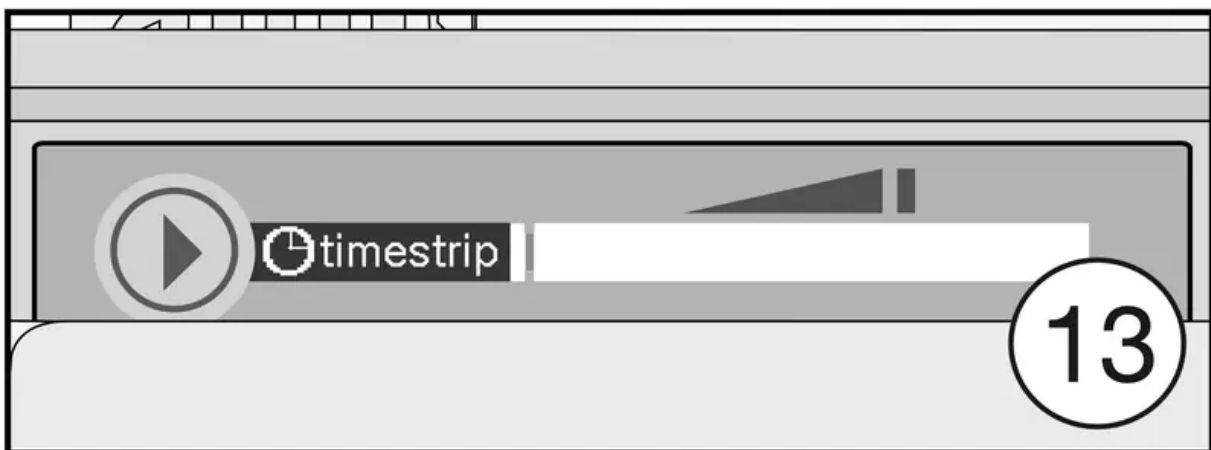
Do not use more than one exhaust filter at a time.

- Open the dust compartment lid.
- Lift the exhaust filter and remove it.
- Insert a new exhaust filter, making sure it goes in properly, then push it down into position.

- Press the TimeStrip exhaust filter change indicator (Fig. 12).



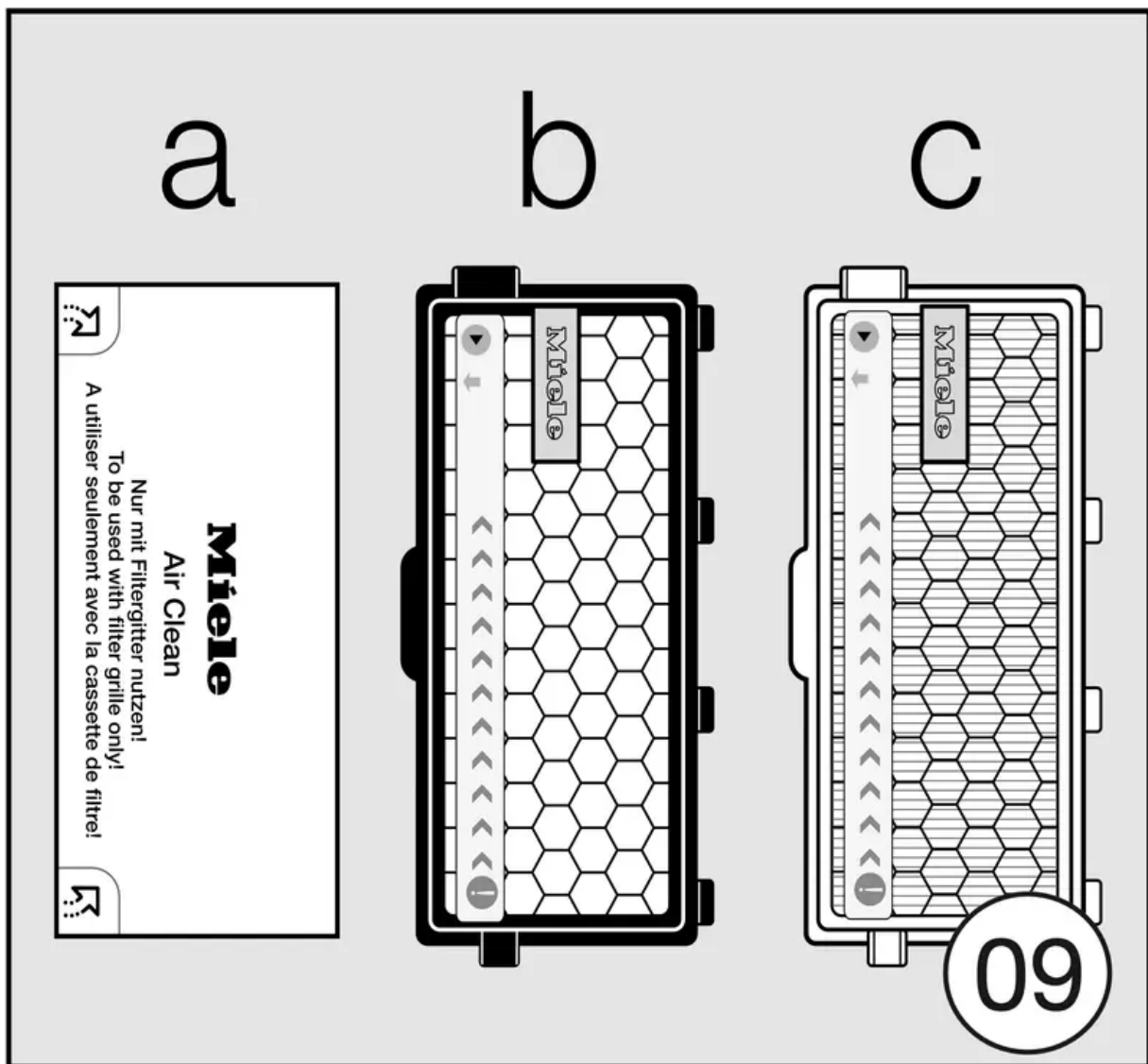
After approx. 10-15 seconds a thin red line will appear in the left-hand side of the display (Fig. 13).



If you wish to fit an AirClean filter, see "Replacing one type of exhaust filter with another".

- Close the dust compartment lid.

Replacing one type of exhaust filter with another (Fig. 09)



Depending on the model, your vacuum cleaner will be fitted as standard with one of the following exhaust filters :

a AirClean

b Active AirClean 50 (black)

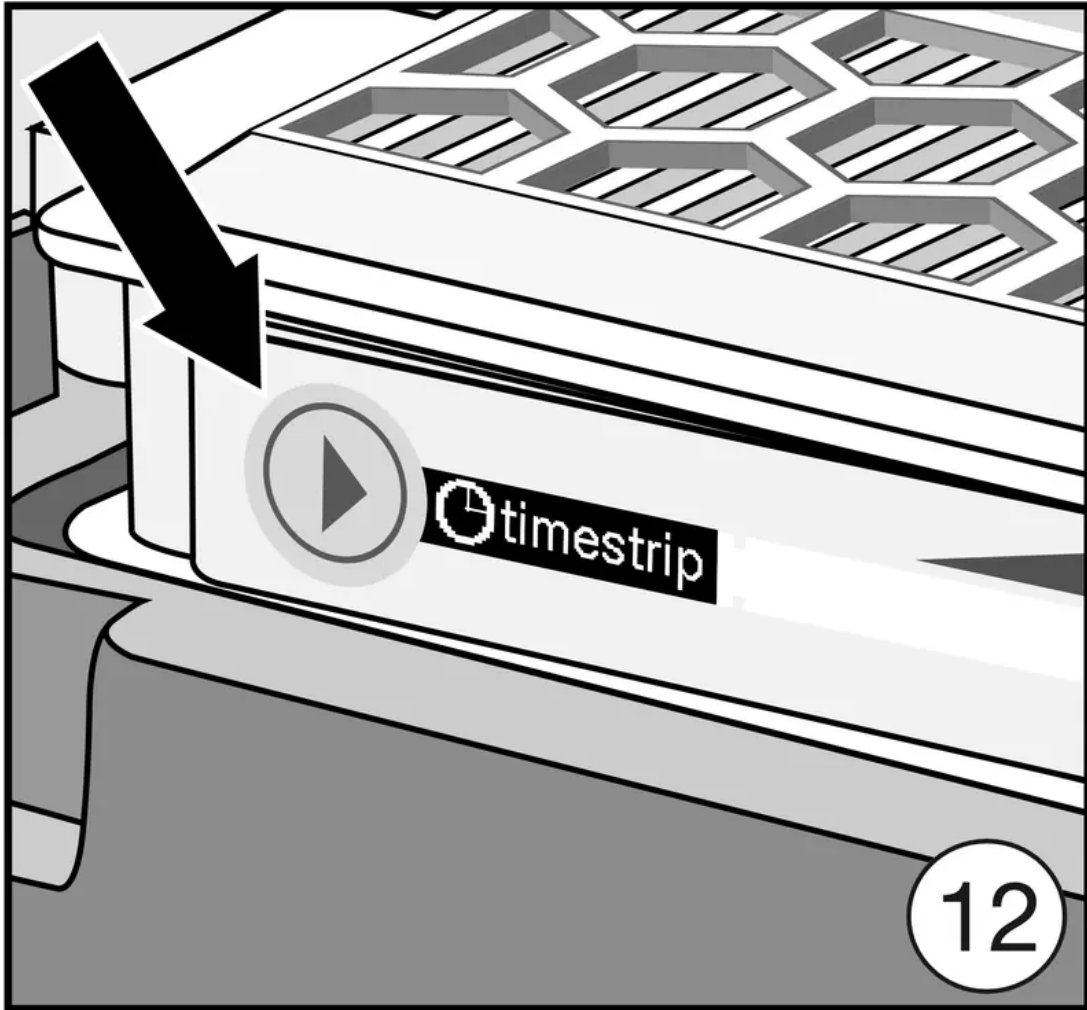
c HEPA AirClean 50 (white)

Do not use more than one exhaust filter at a time.

When changing the filter please note

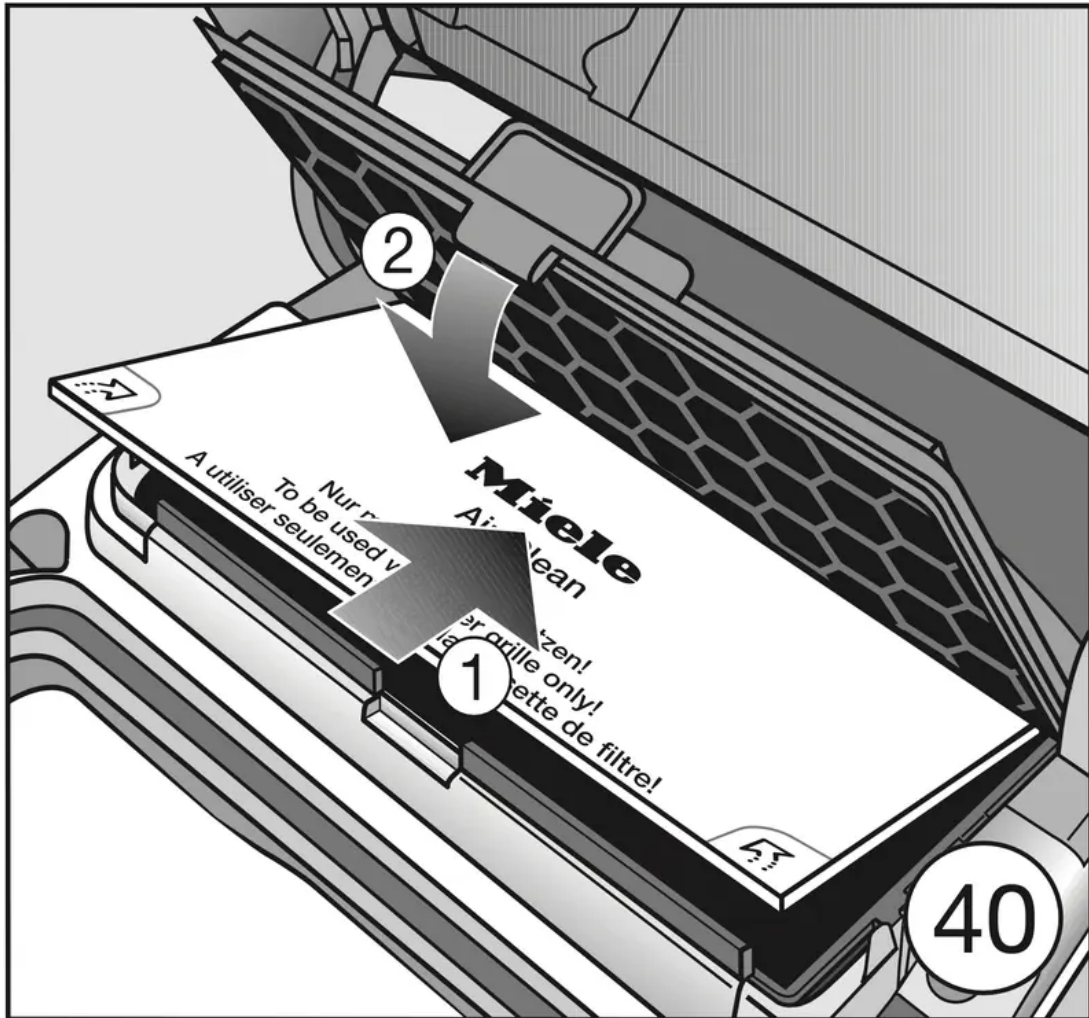
1. If you wish to replace exhaust filter **a** with filter **b** or **c**, you must completely remove the filter grille before you install the new exhaust filter.

You must also activate the TimeStrip exhaust filter change indicator (Fig. 12).

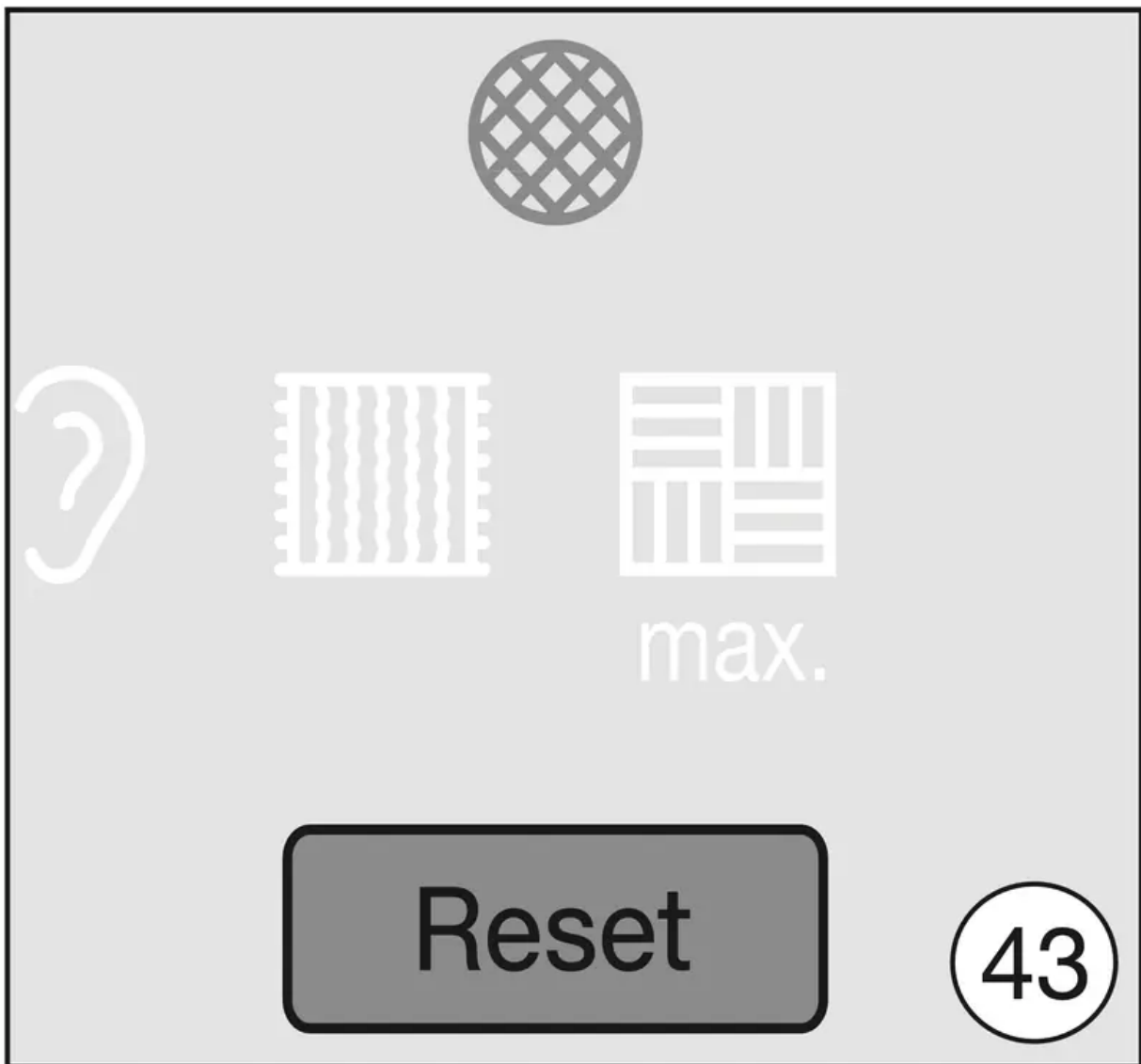


2. If you wish to replace exhaust filter **b** or **c** with filter **a**, you must insert the new filter into a filter grille * before installing (Fig. 40).

* Filter grille – see "Optional accessories"



Maintenance indicator with reset button (Fig. 43)



Some models are fitted with a maintenance indicator.

The indicator lights up after approximately 50 hours of operation, which is equivalent to about a year of average use. The level of soiling of the motor protection filter and the exhaust filter must be checked at this point.

The indicator must be reset each time the filters are replaced. The vacuum cleaner must be switched on to do this.

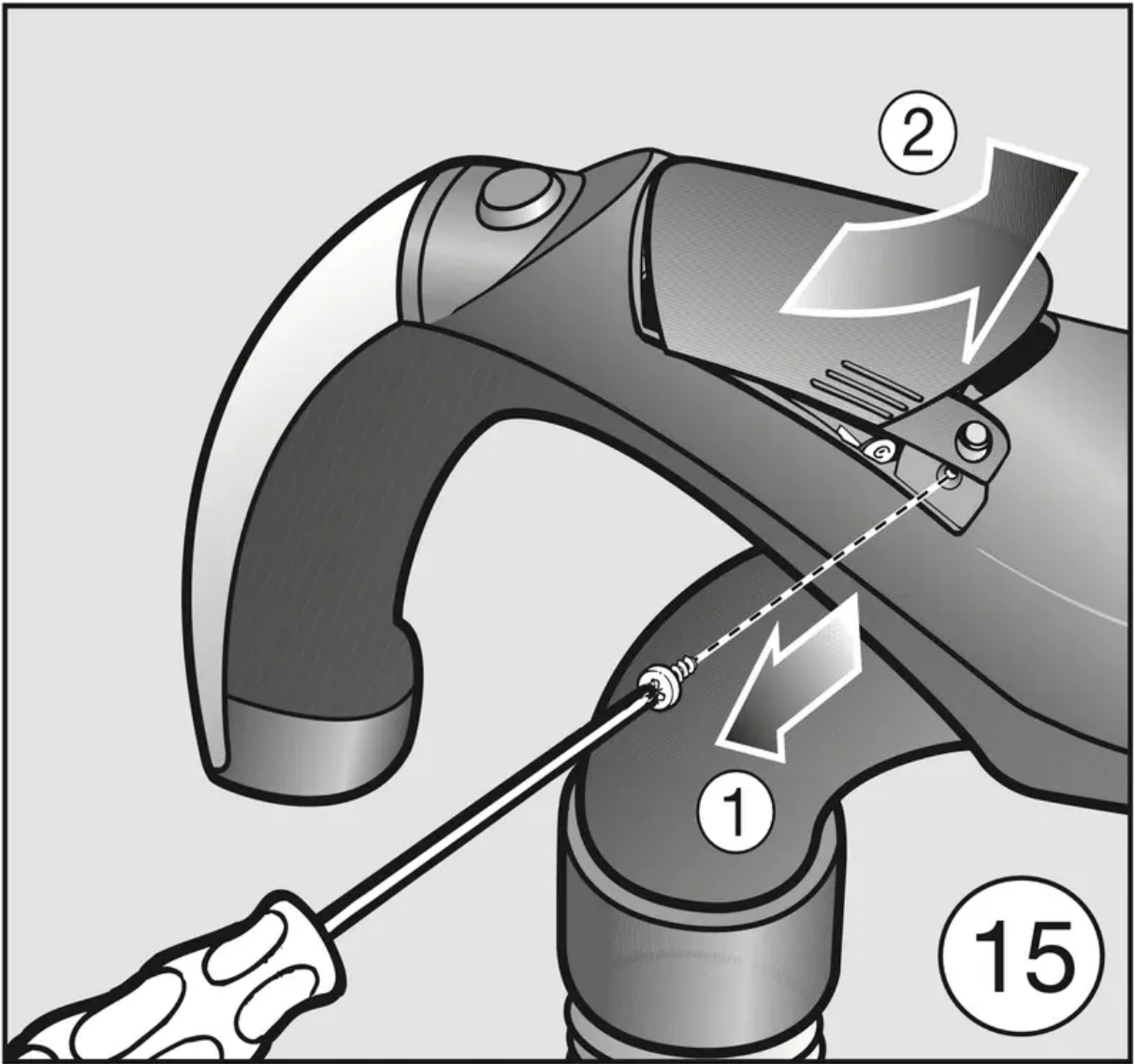
- Press the reset button.

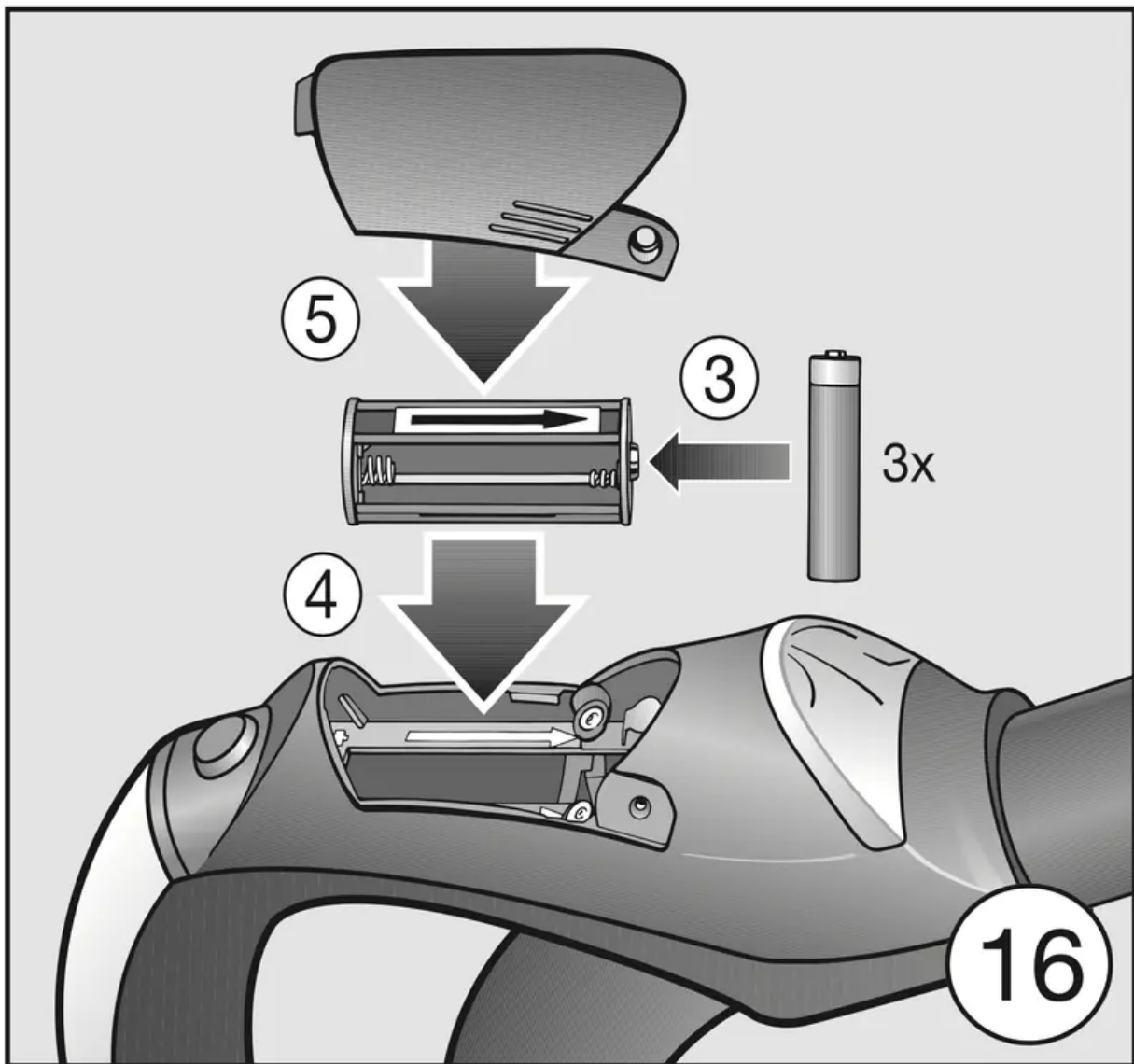
The maintenance indicator will go out and reset to zero.

The indicator can only be reset by pressing the reset button after the light has come on. Pressing the button at any other time will have no effect.

Inserting batteries into the LED handle (Figs. 15 + 16)

(depending on model)





You will need three 1.5 V (AAA) batteries.

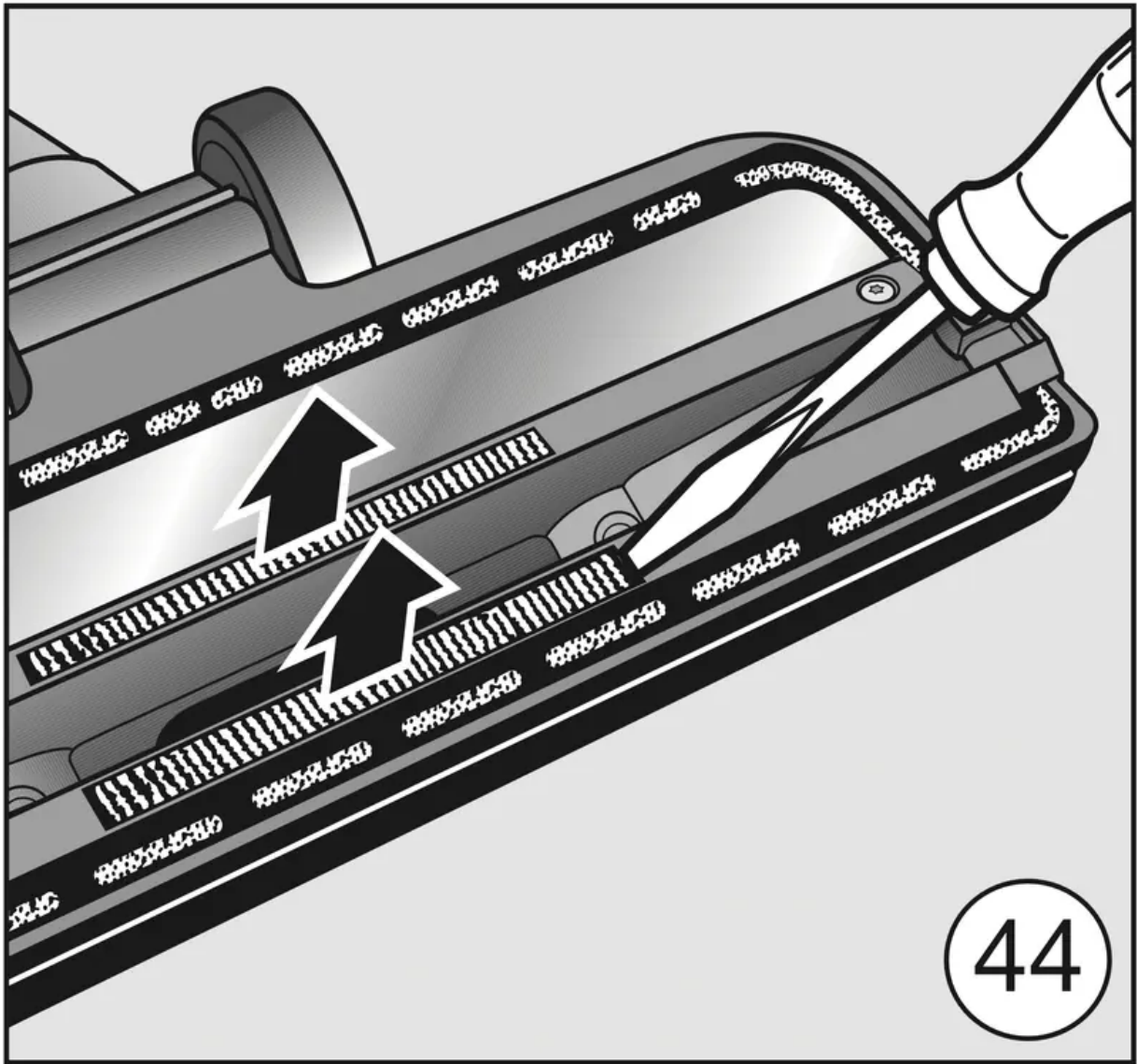
1. Loosen the screws on the cover.
2. Press down on both sides of the cover to remove it.
3. Take out the battery holder and insert the three batteries supplied making sure the polarity is correct.
4. Replace the battery holder. Make sure the arrows on the holder and in the battery compartment line up in the same direction.
5. Replace the cover and tighten the screw.

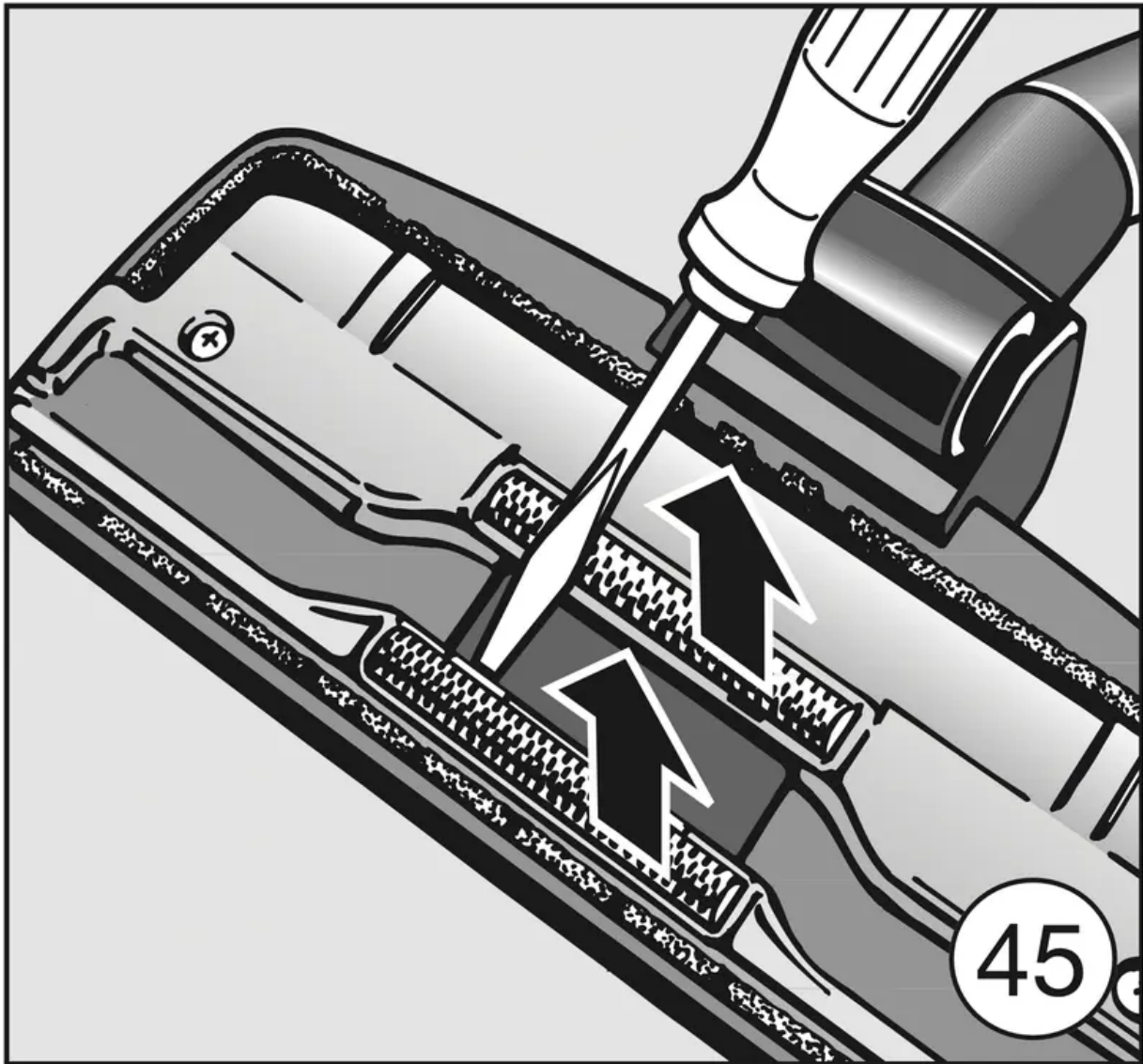
When to change the thread catchers?

(only possible for models with a reversible floorhead included as standard)

The thread catchers on the suction inlet of the reversible floorhead can be replaced. Check them from time to time and replace them if the pile has worn down.

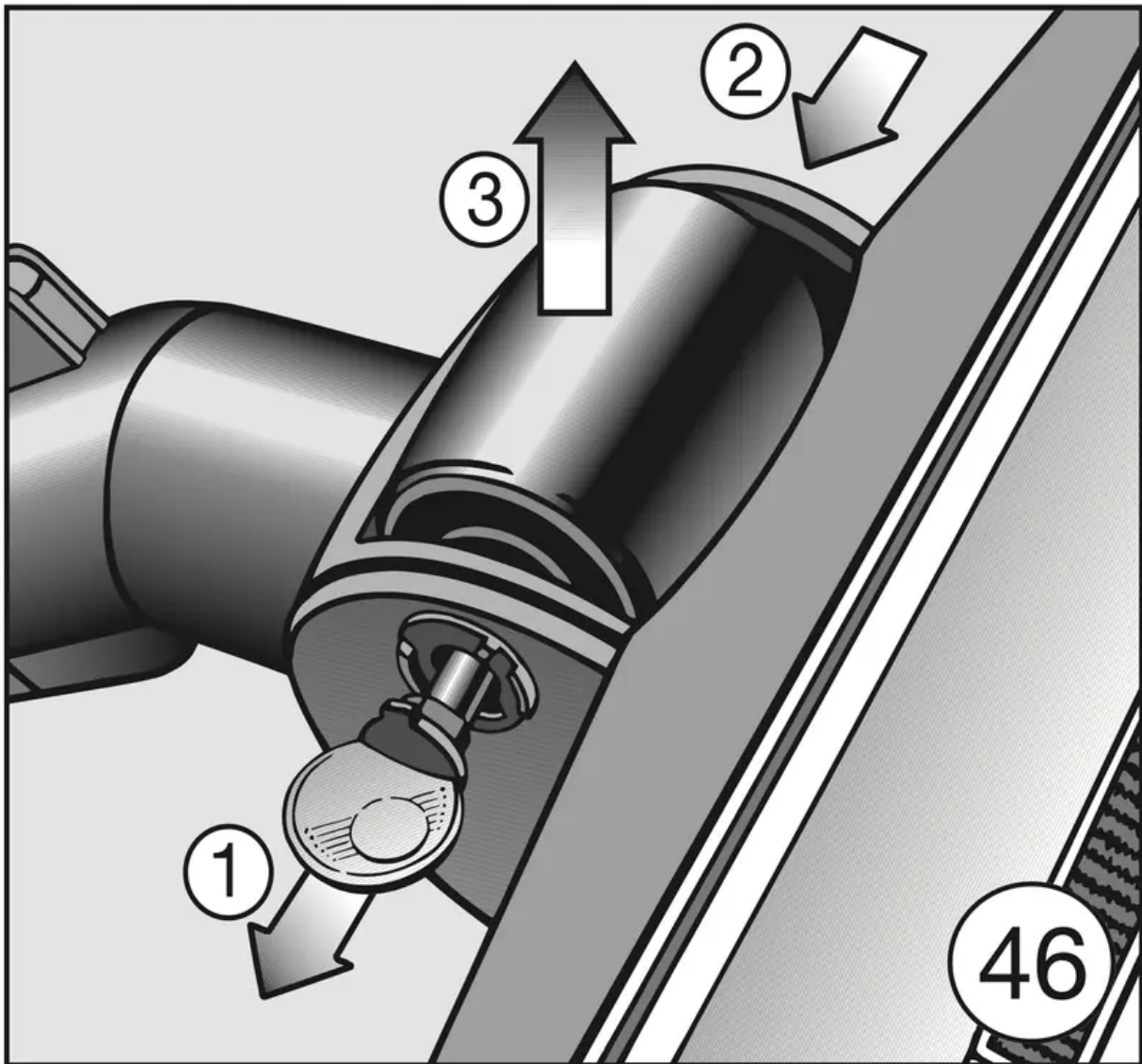
How to replace the thread lifters (Figs. 44 + 45)





- Use a suitable screwdriver to remove the thread lifters from the slots.
- Fit new thread lifters.

Cleaning the roller on the AllTeQ floorhead (Fig. 46)
(depending on model)



Clean the roller on the floorhead if required.

1. Release the bearing (with bayonet fitting) using a coin.
 2. Press the bearing out, and remove.
 3. Remove the roller.
- Remove any threads and hair, replace the roller and refit the bearing, locking it back into position.

Replacement parts are available from your Miele dealer or through Miele Technical Service.

Cleaning and care

CAUTION: Always disconnect the vacuum cleaner from the electrical supply before cleaning it. Turn off and unplug it.

Vacuum cleaner and accessories

The vacuum cleaner and all plastic accessories can be cleaned with a proprietary cleaner suitable for plastic.

CAUTION: Do not use abrasive cleaning agents, glass cleaning agents, all-purpose cleaners or oil-based conditioning agents!



Dust compartment

The dust compartment can, if necessary, be cleaned using a **dry** duster, brush or, if available, a second vacuum cleaner to vacuum the dust out.

Monitor the filter bag change indicator and inspect all filters regularly. Clean or replace them when necessary according to these Operating Instructions.

CAUTION: Do not let the vacuum cleaner get wet. If moisture gets into the appliance, there is a risk of electric shock.

Frequently asked questions

Problem	Possible cause and solution
<p>The vacuum cleaner switches off automatically.</p> <p>On certain models, the overheating warning light also comes on</p> 	<p>A temperature limiter turns the vacuum cleaner off automatically if it gets too hot. This can occur if, for instance, large articles block the wand or when the FilterBag is full or contains particles of fine dust. A heavily soiled exhaust or dust compartment filter can also be the cause of overheating.</p> <ul style="list-style-type: none">• Turn the vacuum cleaner off immediately using the On/Off foot switch , and unplug it. <p>After removing the cause, wait for approximately 20 - 30 minutes to allow the vacuum cleaner to cool down. It can then be turned on again.</p>

Warning

This content is compiled from multiple sources and is provided for reference purposes only. It may not be complete or fully applicable to all situations. If you are unable to resolve your issue, please contact the product manufacturer or an authorized service provider for official support.