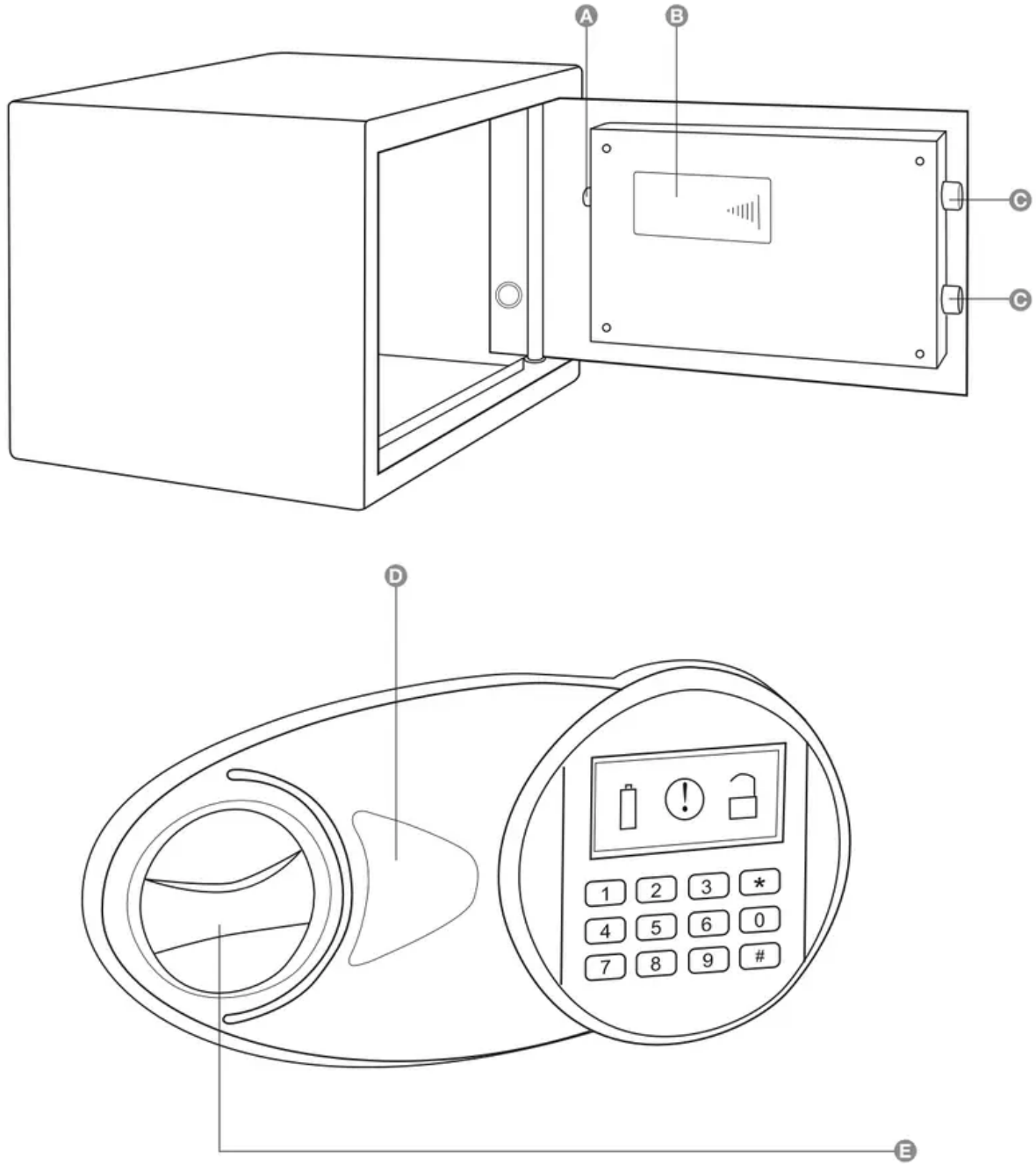
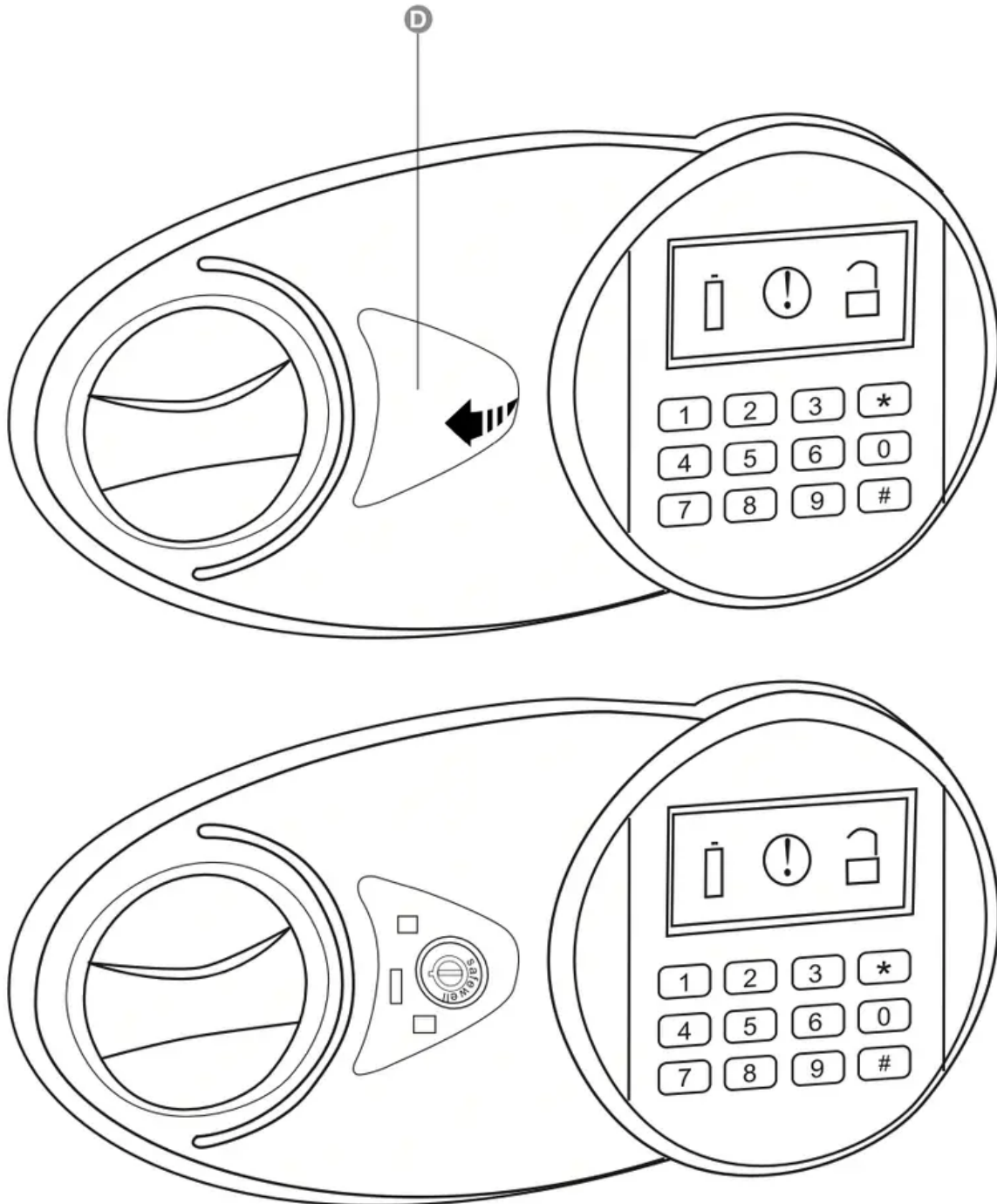


Product overview



Setup

Step 1: Setting Up the Product

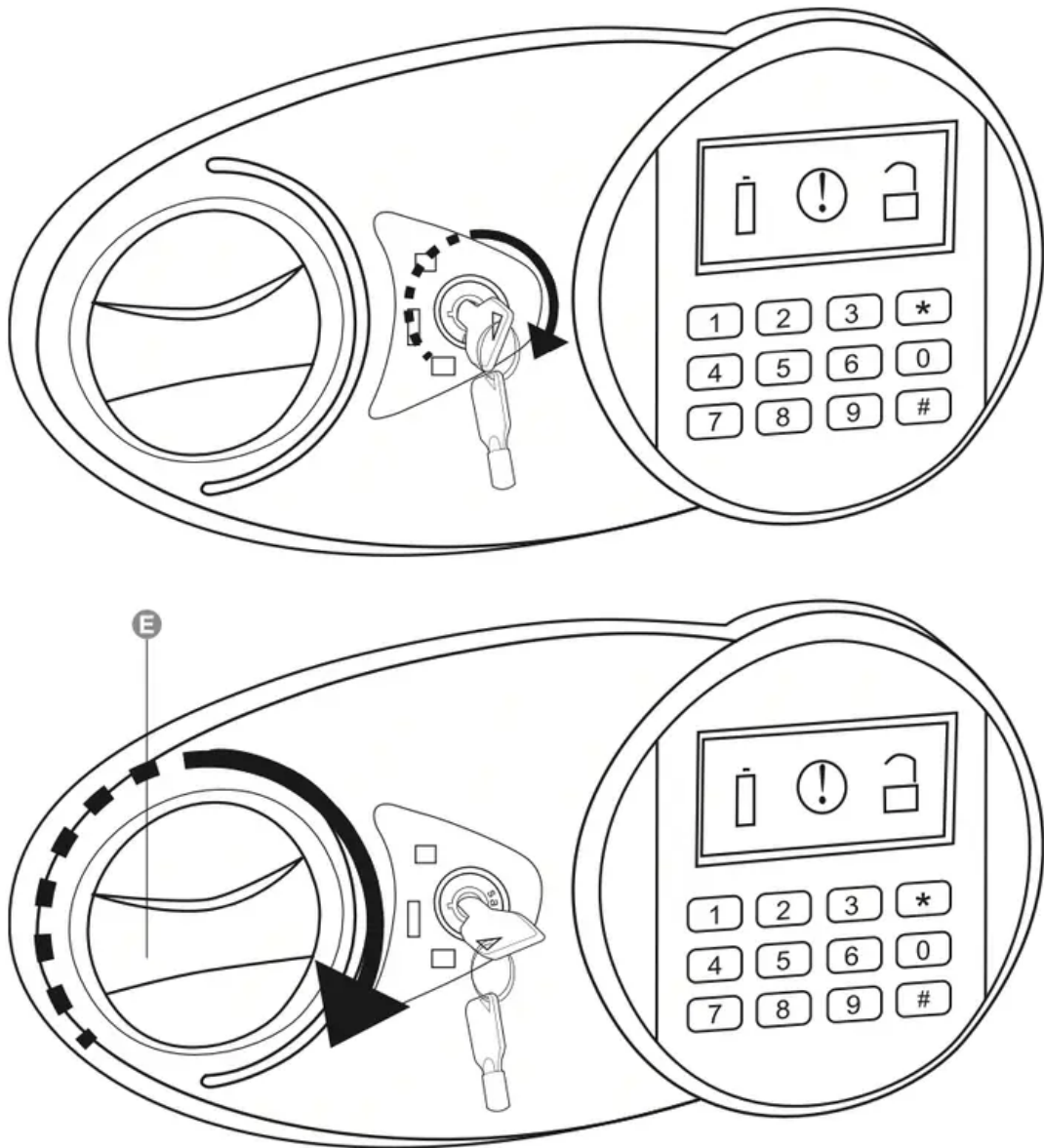


Opening the Safe - First Time

To open the safe the first time you will need to use the emergency key.

Remove the cover of the emergency lock **D**.

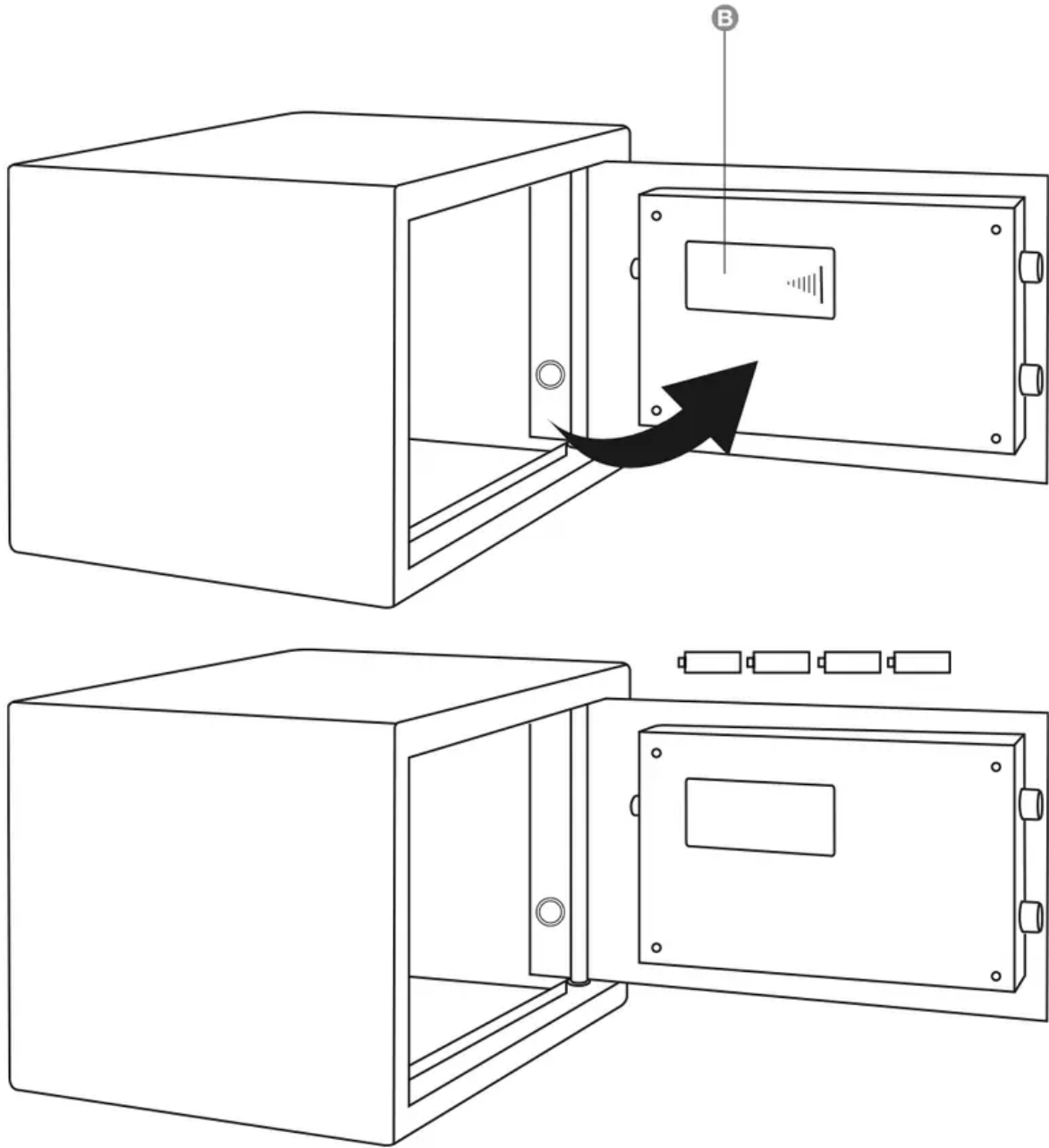
Step 2: Setting Up the Product



Insert the emergency key and turn it clockwise.

Turn the knob **E** clockwise to open the door.

Step 3: Setting Up the Product

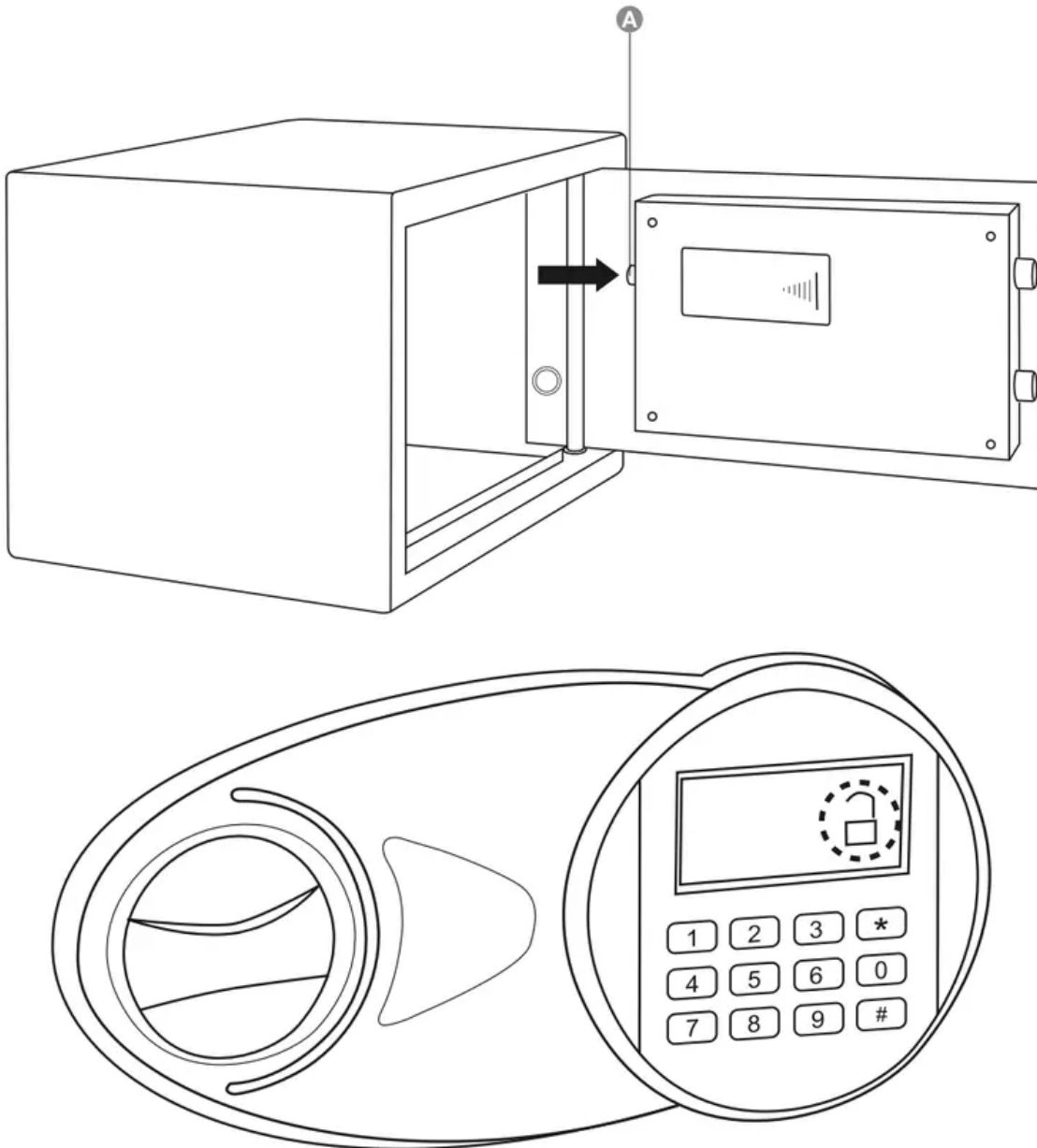


Open the door. Open the battery compartment **B** and insert 4 x AA batteries (not included).




NOTE: When the batteries run out, the  icon will turn on. Replace the batteries then.


Step 4: Setting the Password



With the door open, press the Reset button **A**. The safe will emit two beeps.

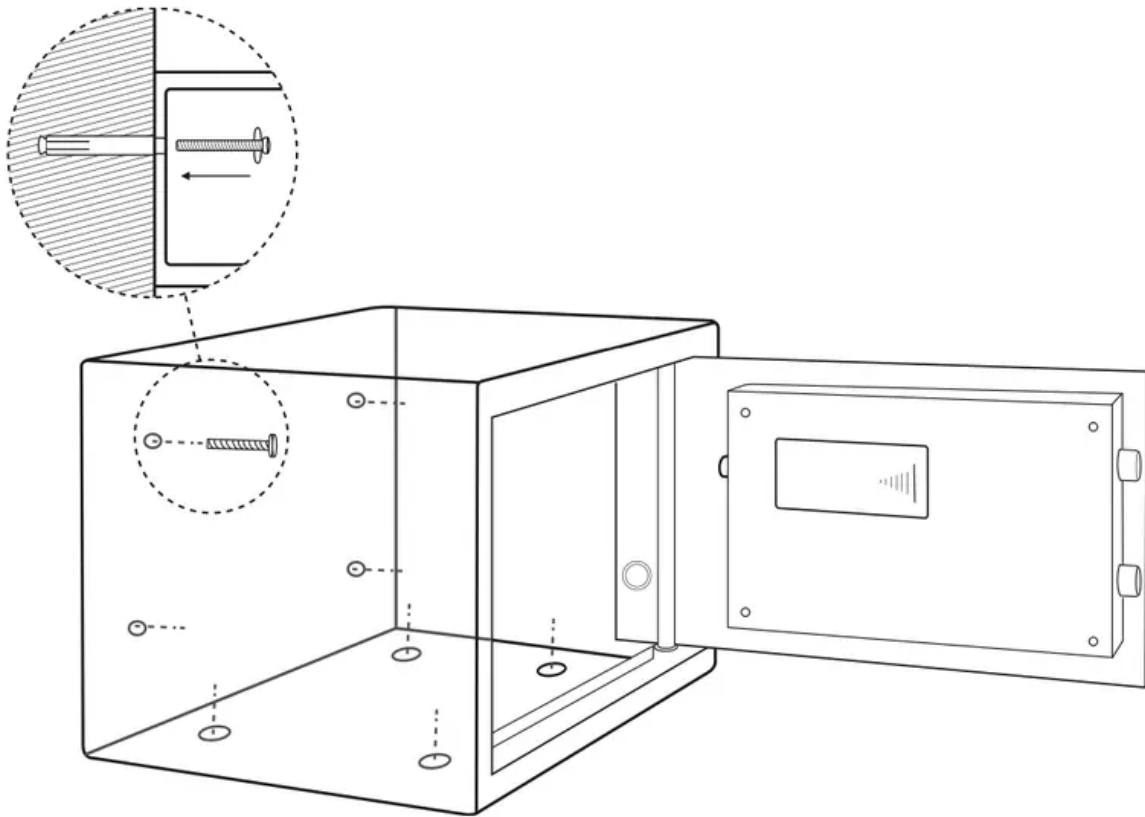
Choose a new passcode (3-8 digits), punch it on the keypad and press the # key to confirm.

If the  icon turns on, the new passcode is successfully set.

If the  icon flashes, the safe failed to set the new passcode. Repeat the steps above until successful.

NOTE: Test the new passcode with the door open before locking the door.

Step 5: Securing to a Floor or Wall



Select a stable, dry and secure location for your safe.

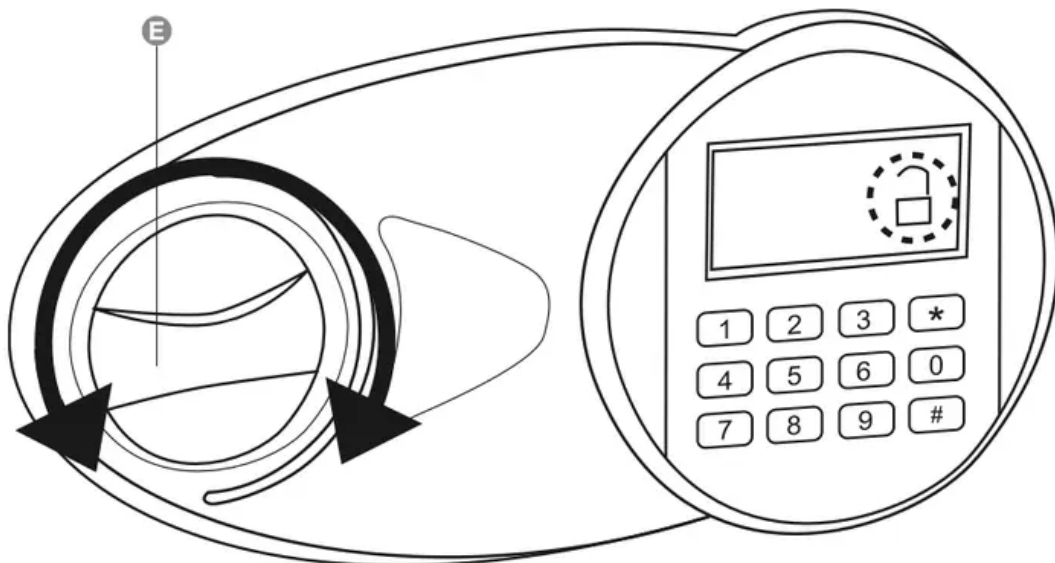
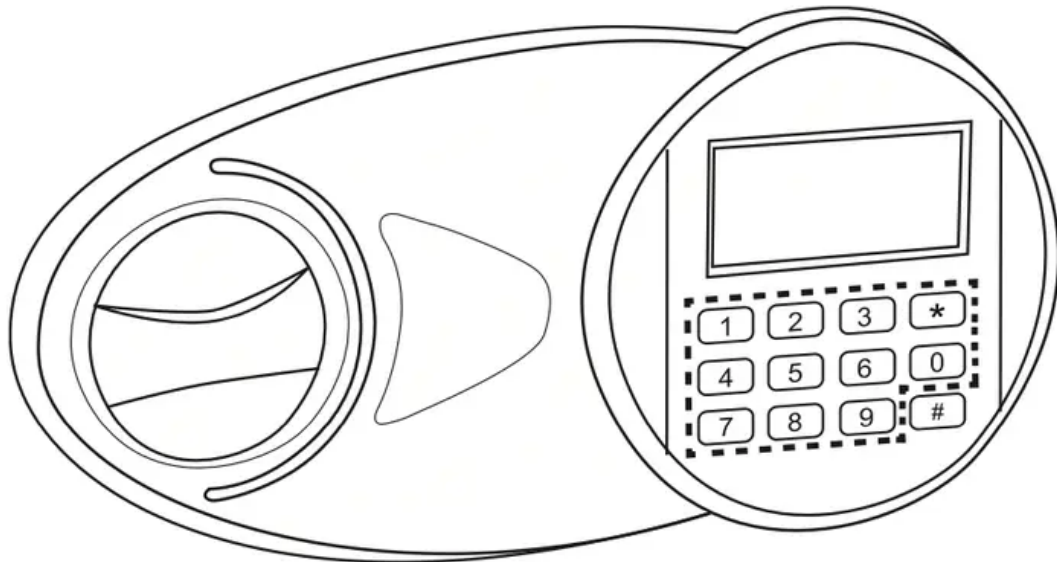
If bolting to a wall, make sure that your safe is resting on a supporting surface (such as the floor or a shelf). Do not bolt your safe to both the floor and wall.

Place the safe on the selected location. Use a pencil to mark the mounting holes on the floor or wall. Move the safe and drill 2-inch-deep mounting holes (~50 mm) using a 12 mm drill bit.

Move the safe back in place, align the mounting holes to the openings in the safe. Insert the expansion bolts (included) through the holes and into the mounting holes and tighten them securely.

Operation

Opening the Safe - Using Your Password



Input your passcode (3 to 8 digits) on the keypad. Press # key to confirm.

The  icon turns on.

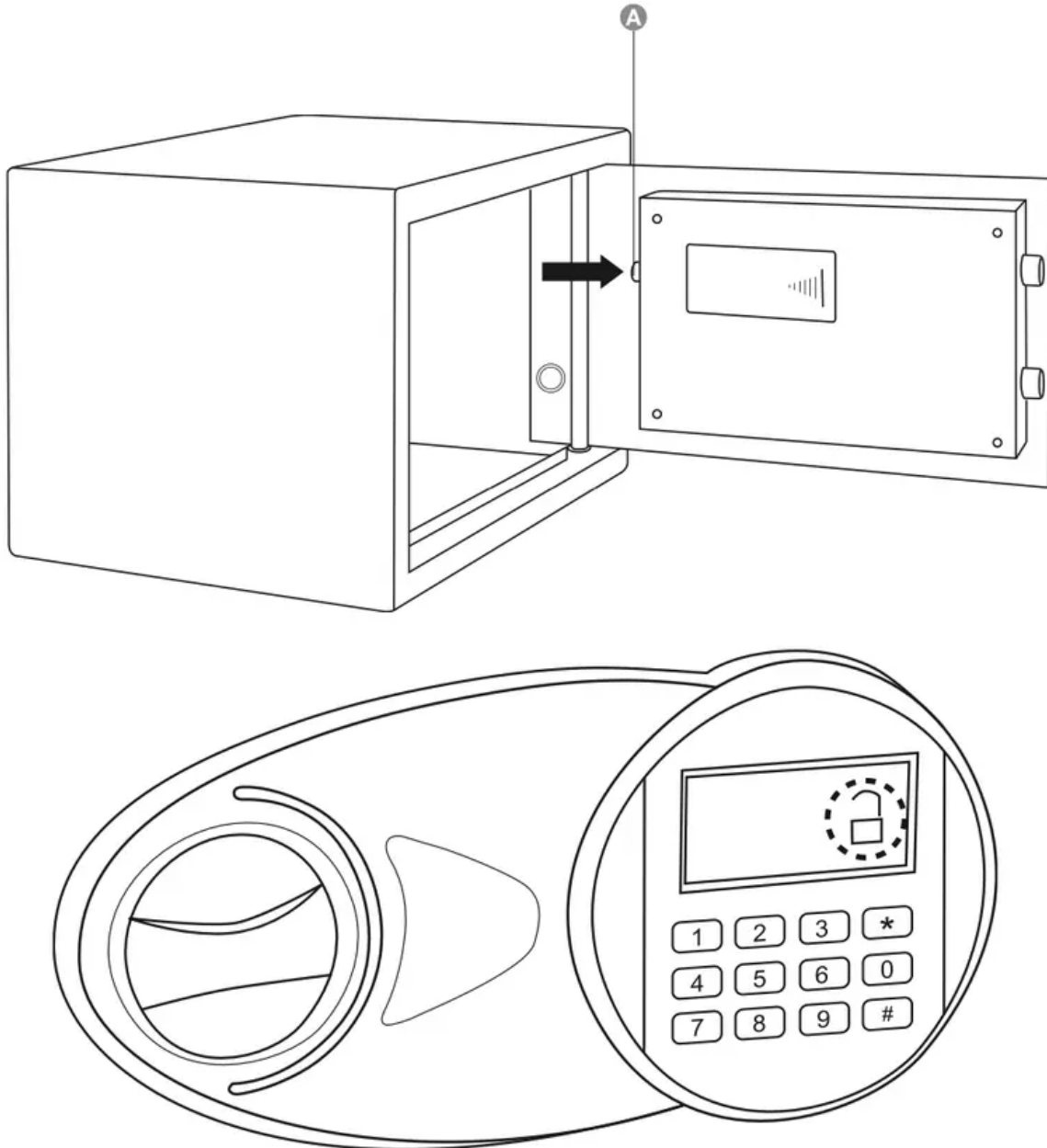
Rotate the knob **E** clockwise and open the door.

NOTE: The default preset passcode is "159", change it immediately.

Locking the Safe


Close the door, then turn the knob **E** counterclockwise to lock it.


Setting the Master Code



Should you forget your passcode, the safe can still be accessed with the master code.

1. With the door open, press 0 key twice and then press the Reset button A.
2. Input the new code (3-8 digits), then press # key to confirm.

The  icon turns on. The master code is set.

NOTE: If the  icon doesn't turn on, the safe failed to set the new master code. Repeat the steps above until successful.



Automatic Lockout

- The safe will enter a 30-second lockout if the wrong passcode is entered 3 consecutive times.
- After the 30-second lockout it will automatically unlock.
- **ATTENTION:** Entering the wrong passcode 3 more times will lock the safe for 5 minutes.

Cleaning and Maintenance

- If necessary wipe the outside and inside of the product with a slightly damp cloth.
- Avoid contact with corrosive substances like acids, alkaline or similar substances.

Troubleshooting

Problem	Solution
The safe won't open when entering the passcode.	<ul style="list-style-type: none">• Make sure you entered the correct passcode.• Press the # key after entering the passcode.• The safe might be in lockout. Wait 5 minutes and try again.• Replace the batteries. (See Step 3)
The door won't shut.	<ul style="list-style-type: none">• Make sure there are no obstructions.• If the door bolts C are extended, re-enter the passcode and turn the knob E clockwise to retract them.
The icon  turns on	<ul style="list-style-type: none">• Replace the batteries. (See Step 3)
The icon  is flashing	<ul style="list-style-type: none">• Make sure you entered the correct passcode.• Press the # key after entering the passcode.

WARNING: The metal part of emergency key contains chemicals known to the State of California to cause cancer and birth defects or other reproductive harm.

Safety and Compliance

- Read this instruction manual carefully before using the appliance. Familiarize yourself with the operation, adjustments and functions of switches. Understand and follow the safety and operation instructions in order to avoid possible risks and hazards. Keep for future reference. If you give this device to someone else, this instruction manual must be included too.
- To reduce the risk of theft, the safe must be fixed to a wall or floor.
- Store the emergency keys in a secret and safe place.
- Do not store the emergency keys inside the safe. If the battery runs out you will not be able to open the safe.
- The preset passcode should be changed before using the safe.
- Place the product on a stable, secure place, possibly not elevated, lest it may fall over and suffer damages or cause injury to people.
- Keep liquids away from the control panel and battery compartment. Liquids spilling over the electronic parts may cause damage and lead to malfunctioning.
- Never attempt to dismantle the product by yourself.
- If maintenance is required, please contact the local service center or local distributor.

Battery Safety Advice

- Danger of explosion if the battery is replaced with one of the wrong type.
- Replace the battery only with the same or equivalent type.
- Warning! The batteries (battery block or built-in batteries) must not be exposed to excessive heat, i.e. direct sunlight, fire or the likes.
- Warning! Do not swallow the battery, there's risk of chemical burns.
- The product contains batteries. If a battery gets swallowed, can cause internal burns and cause death within 2 hours.
- Keep new and used batteries out of the reach of children.
- If the battery compartment doesn't close properly, stop using the product and keep it out of the reach of children.
- If you think that the batteries were swallowed or introduced in any part of the body, seek medical attention immediately.
- Leaking battery acid may cause harm.
- If batteries should leak, remove them with a cloth from the battery compartment. Dispose of batteries according to the regulations.

- If battery acid has leaked avoid contact with skin, eyes and mucous membranes. Rinse affected areas immediately after contact with the acid and wash with plenty of clean water. Visit a physician.
- Do not allow children to replace batteries without adult supervision.
- Danger of explosion! Batteries may not be charged, re-activated by other means, disassembled, thrown into fire or short-circuited.
- Always insert batteries correctly with regard to the polarities (+ and -) marked on the battery and the battery compartment.
- Batteries shall be stored in well-ventilated, dry and cool conditions.
- Exhausted batteries should be immediately removed from equipment and properly disposed of. Use the correct type (AA battery).
- Remove the battery if you will not be using the appliance for an extended period of time.

Warning

This content is compiled from multiple sources and is provided for reference purposes only. It may not be complete or fully applicable to all situations. If you are unable to resolve your issue, please contact the product manufacturer or an authorized service provider for official support.