

# INSTALLATION INSTRUCTIONS WASHER AND DRYER

## INSTALLATION REQUIREMENTS

### LOCATION REQUIREMENTS

#### WARNING

#### Explosion Hazard

Keep flammable materials and vapors, such as gasoline, away from dryer.

Place dryer at least 18 inches (460 mm) above the floor for a garage installation.

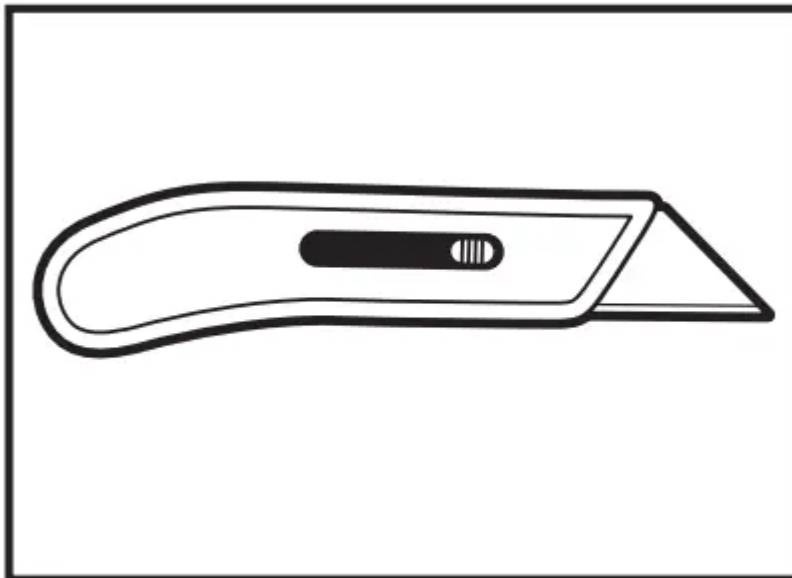
Failure to do so can result in death, explosion, or fire.

**NOTE:** If the washer/dryer and pedestal assembly are located in a garage, 3" (76 mm) must be added under the pedestal so that the washer/dryer is 18" (458 mm) above the garage floor.

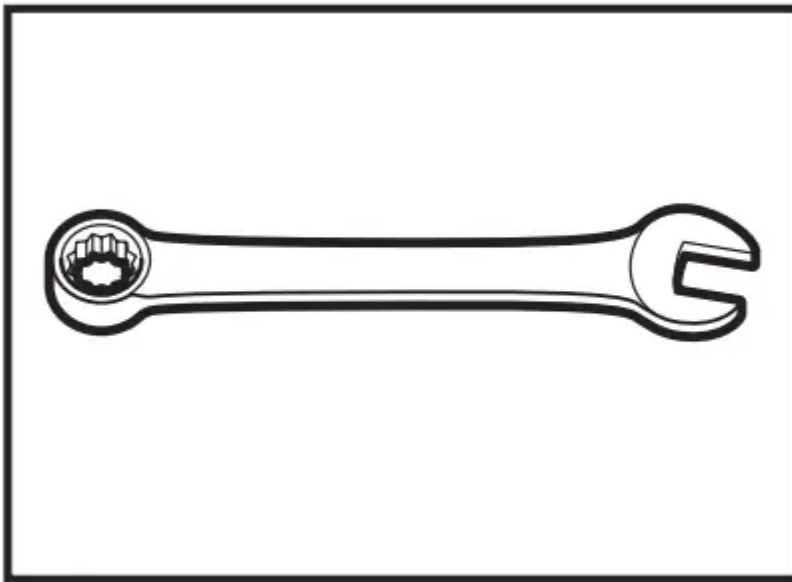
### TOOLS AND PARTS

Gather the required tools and parts before starting installation.

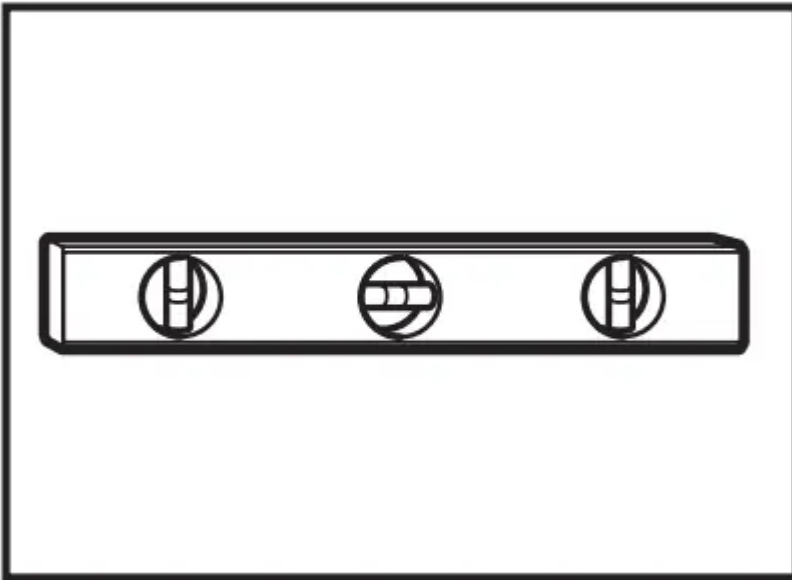
#### Tools Needed:



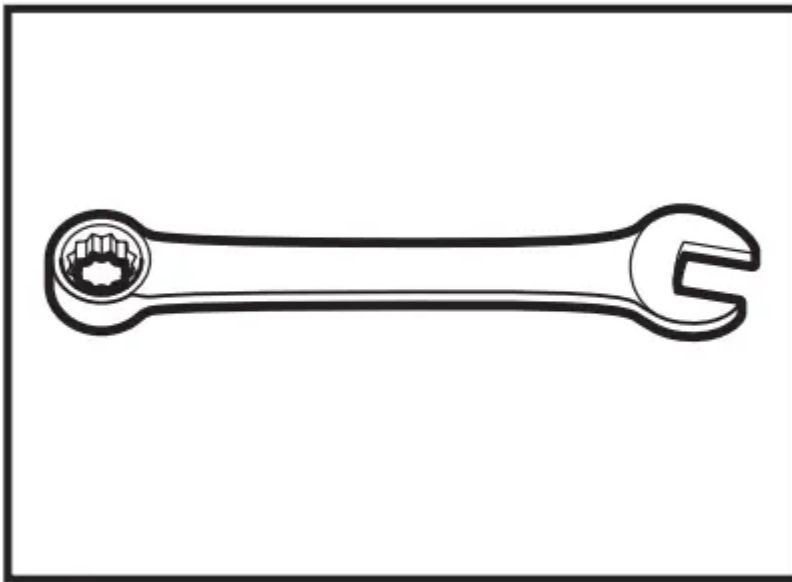
Utility knife



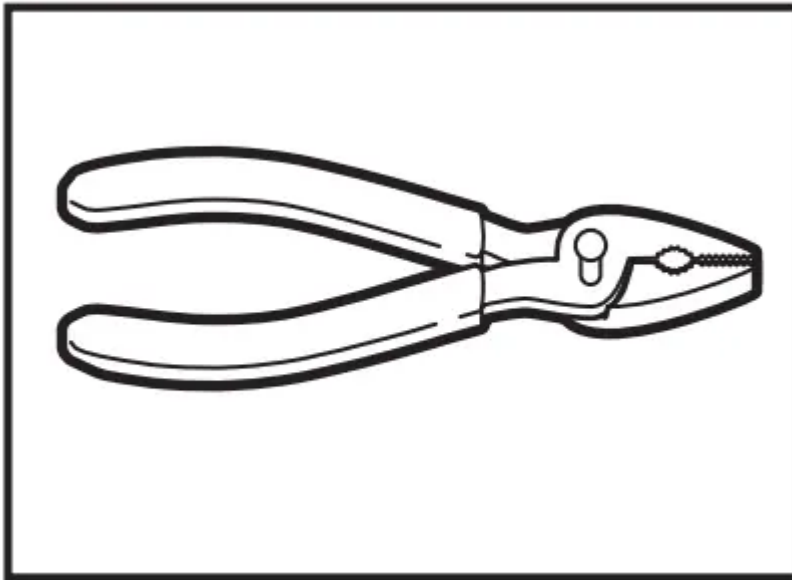
1/4" hex-head ratchet or open-end wrench



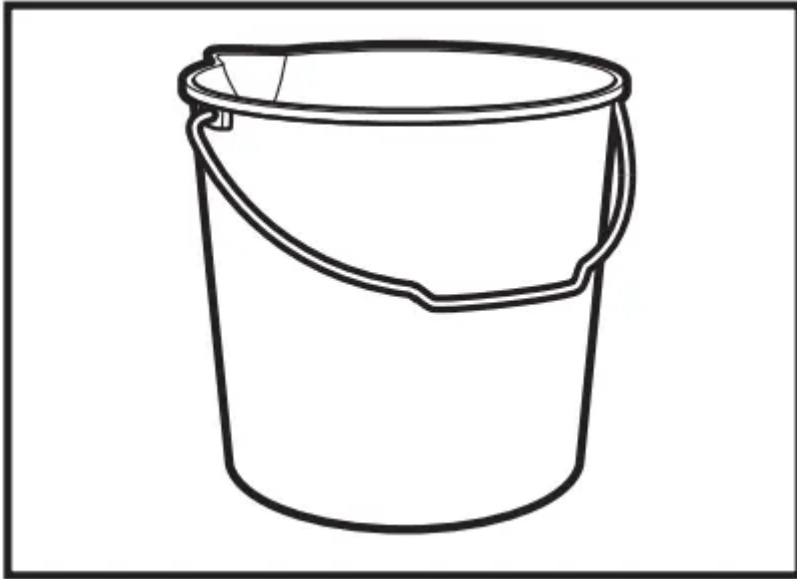
Level



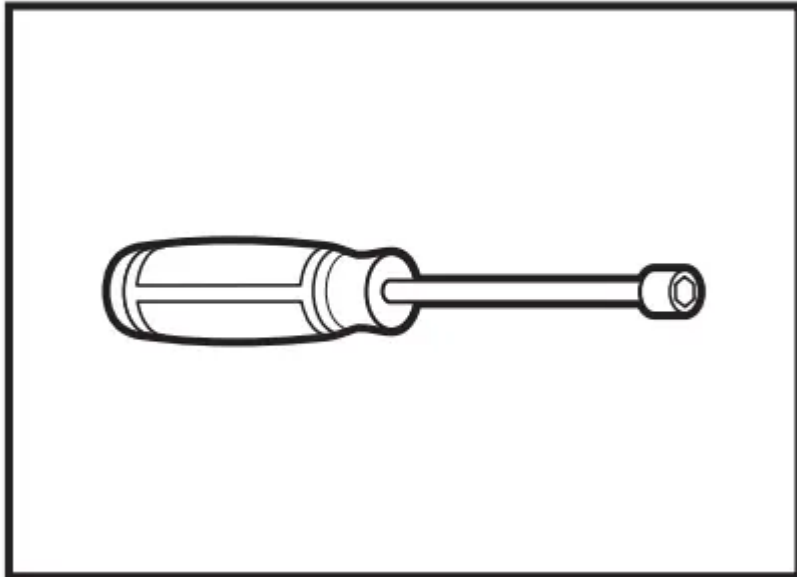
9/16" open-end wrench



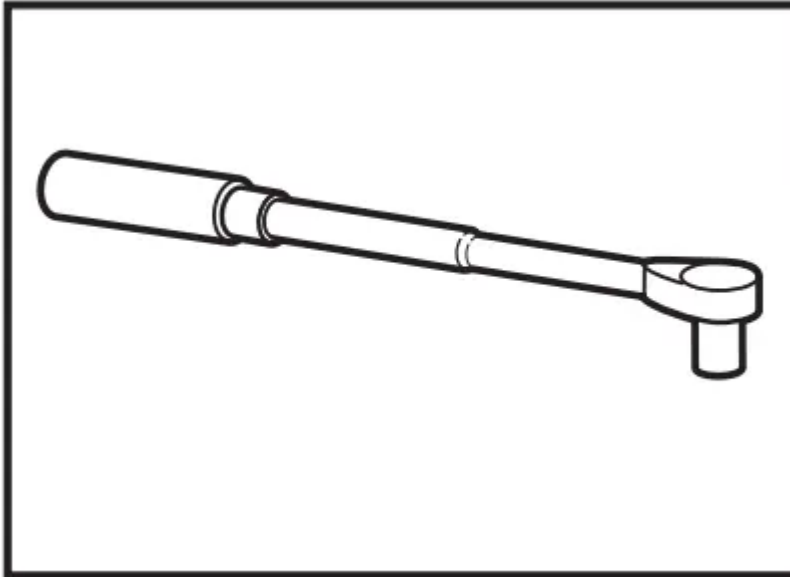
Pliers or slip-joint pliers



Bucket

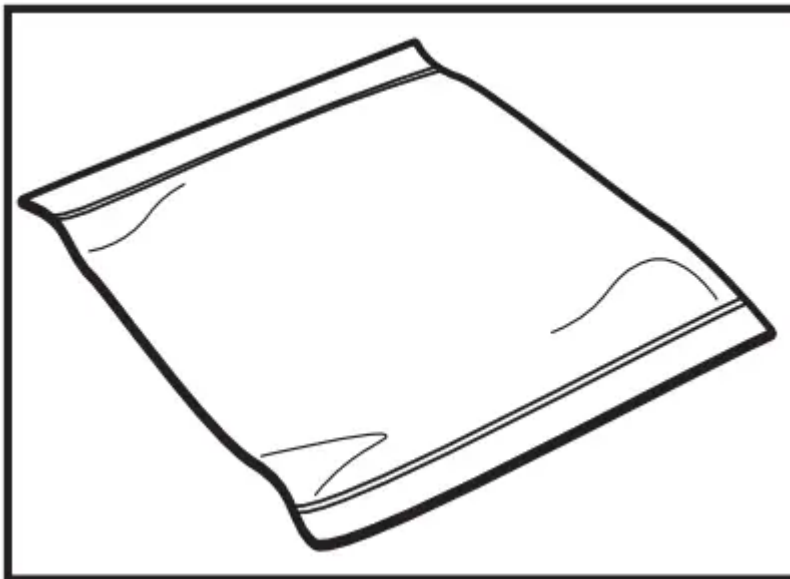


1/4" nut driver

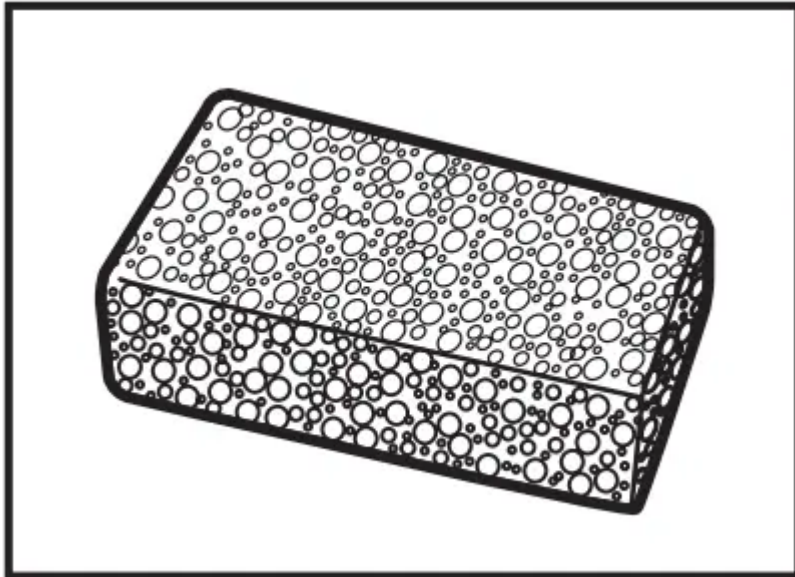


5/16" hex-head ratchet or nut driver

**Additional Items Needed:**

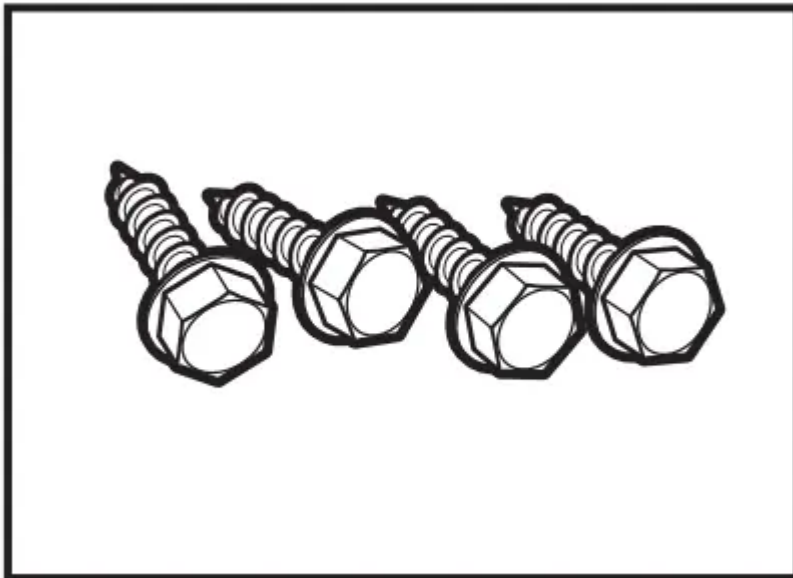


Towel

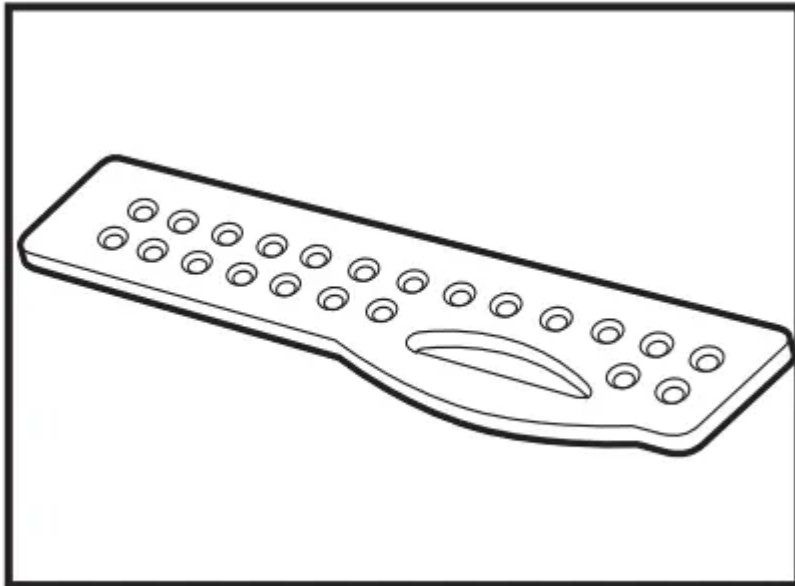


Sponge

**Parts Supplied:**



Four #12 x 3/4" hex-head sheet metal screws



Drawer divider

## UNPACKING THE PEDEST

### Preparing the pedestal for installation

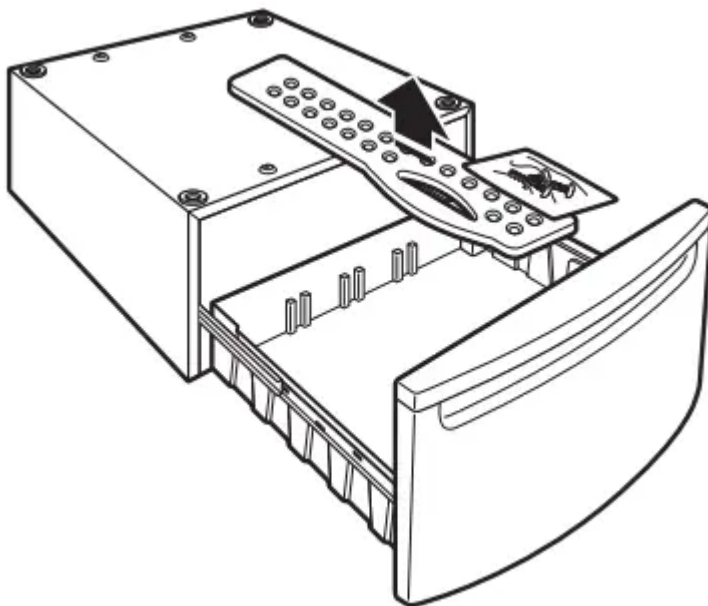
#### WARNING

Excessive Weight Hazard

Use two or more people to move and install pedestal. Failure to do so can result in injury.

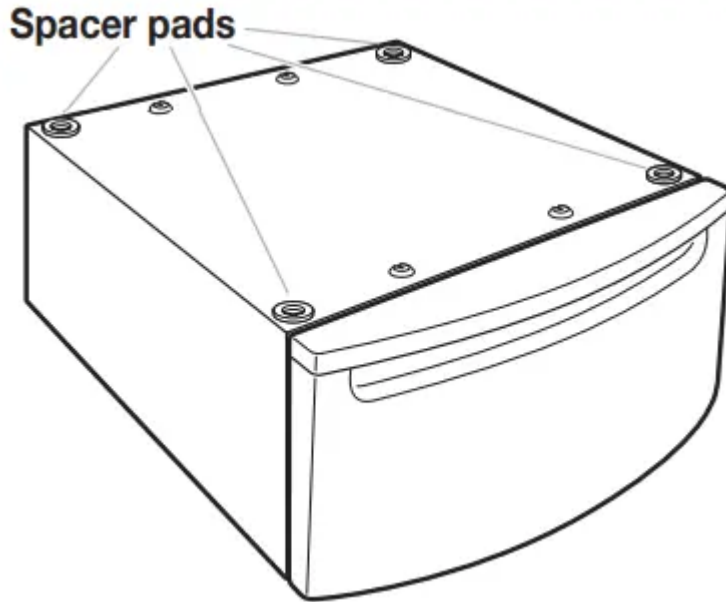
**IMPORTANT:** Set the pedestal box aside for use during installation.

### 1. Empty pedestal drawer



Open the pedestal drawer as far as possible and remove the contents. The package contains four #12 x 3/4" hex-head sheet metal screws and a drawer divider.

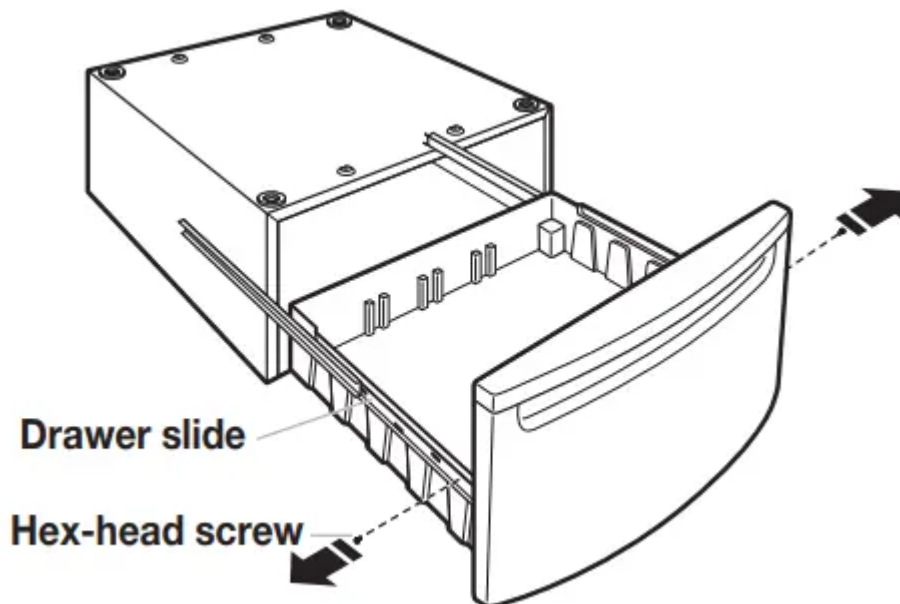
## 2. Locate spacer pads



The four spacer pads are installed on the top of the pedestal. These pads reduce vibration between the pedestal and the washer/dryer.

**NOTE:** If your washer/dryer has feet installed, remove them.

## 3. Remove pedestal drawer



Using a 1/4" nut driver, remove the hex-head screws from both drawer slides and save screws. Remove the drawer from the slides and set aside. Push the slides back into the pedestal.

## BEFORE INSTALLING THE PEDEST

**IMPORTANT:** If your washer and dryer are already installed, they must be uninstalled.

### Uninstalling your washer

To avoid possible damage to the washer, the transport bolts on the back of the washer must be in place before installing the pedestal. For more information on transport bolts see, "Remove Transport System" in washer Use and Care Guide.

#### WARNING

##### Excessive Weight Hazard

Use two or more people to move and uninstall washer. Failure to do so can result in injury.

**Note:** If the washer is to be transported, call your local service center. To avoid suspension and structural damage, your washer must be properly set up for relocation by a certified technician.

1. Turn off the hot and cold water faucets.
2. Unplug the power supply cord.
3. Slowly loosen the fill hoses at the faucets to relieve the water pressure. Use a sponge or towel to absorb the released water.
4. Remove the "HOT" and "COLD" fill hoses from the back of the washer. Drain the water from the hoses into a bucket.
5. Remove the drain hose from the standpipe or laundry tub and drain any water remaining in the hose into a bucket.
6. Pull the washer away from the wall so that you will have enough space for the installation.

### Uninstalling your electric dryer

#### WARNING

Electrical Shock Hazard Disconnect power before servicing.  
Replace all parts and panels before operating.  
Failure to do so can result in death or electrical shock.

## WARNING

### Excessive Weight Hazard

Use two or more people to move and uninstall dryer. Failure to do so can result in injury.

1. Unplug the power supply cord or disconnect wiring if dryer is direct wired.
2. Pull the dryer away from the wall enough to loosen the vent clamp. Loosen the clamp and gently remove the exhaust vent from the dryer exhaust outlet.
3. Pull the dryer away from the wall so that you will have enough space for the installation.

## Uninstalling your gas dryer

## WARNING

### Excessive Weight Hazard

Use two or more people to move and uninstall dryer. Failure to do so can result in injury.

1. Unplug the power supply cord.
2. Turn off the gas supply.
3. Pull the dryer away from the wall enough to loosen the vent clamp. Loosen the clamp and gently remove the exhaust vent from the dryer exhaust outlet.
4. Disconnect the flexible gas supply line from the dryer. Put a piece of tape over the open ends of the gas line connection fittings.
5. Pull the dryer away from the wall so that you will have enough space for the installation.

## Installation of new washer/dryer

## WARNING

### Excessive Weight Hazard

Use two or more people to move and install washer/dryer.

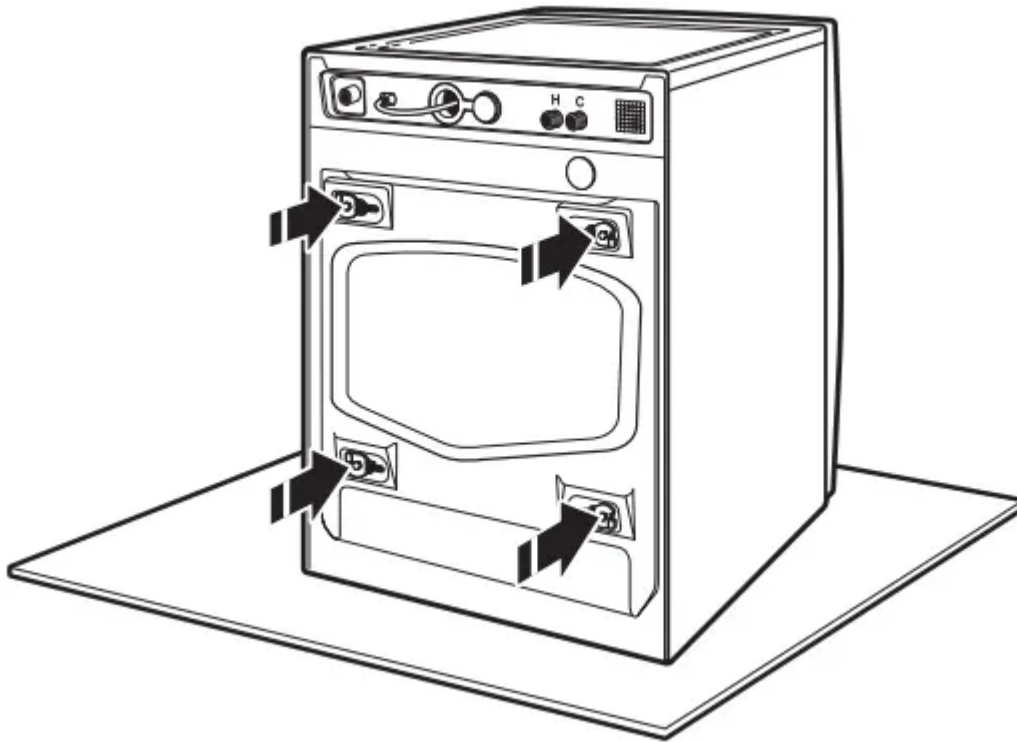
Failure to do so can result in back or other injury.

1. Unpack the washer/dryer and move close to the intended installation location.

# INSTALLATION THE PEDESTAL

## Installing the pedestal on the washer

### Confirm transport bolts are in place



Locate the transport bolts on rear of washer. Transport bolts must remain in washer before pedestal can be installed. For more information on transport bolts see, "Remove Transport System" in washer Use and Care Guide.

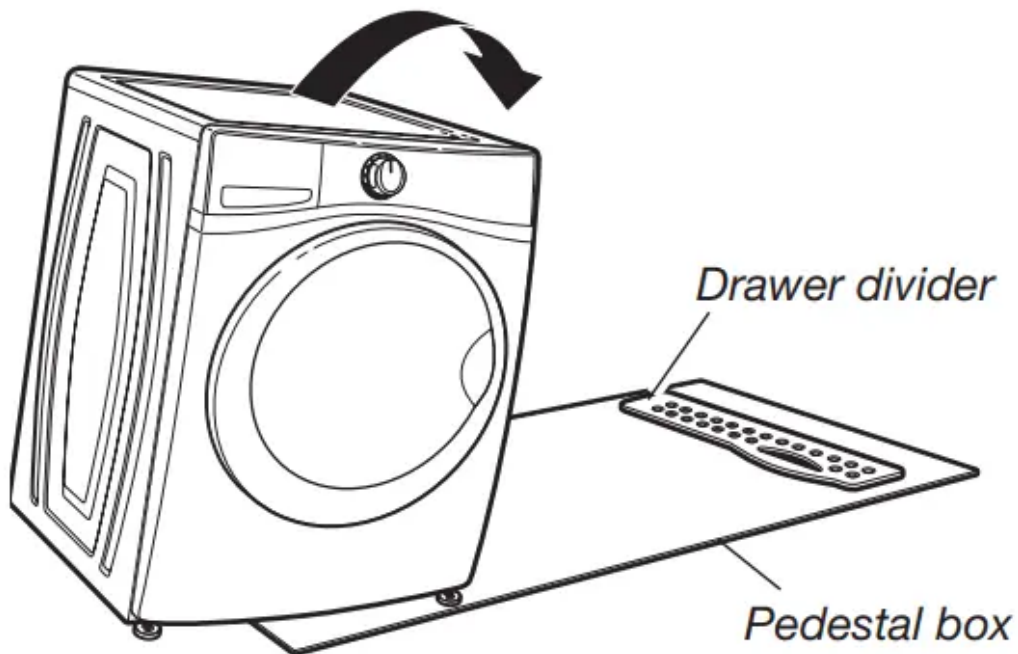
**WARNING**

**Excessive Weight Hazard**

Use two or more people to move and install washer/dryer.

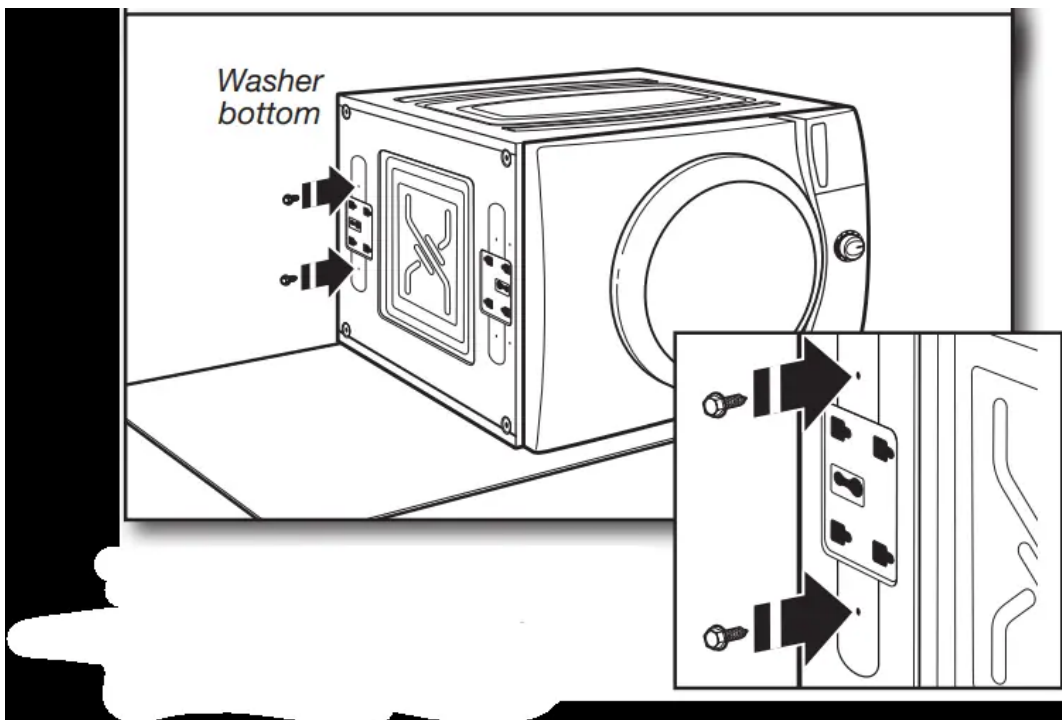
Failure to do so can result in back or other injury.

## 1. Place washer on its side



To avoid floor damage and ease installation and handling, unfold the empty pedestal box flat and place it next to the washer. Position the drawer divider so that it will be near the top of the washer, as shown. Gently tip the washer on its side so the washer is resting on the drawer divider.

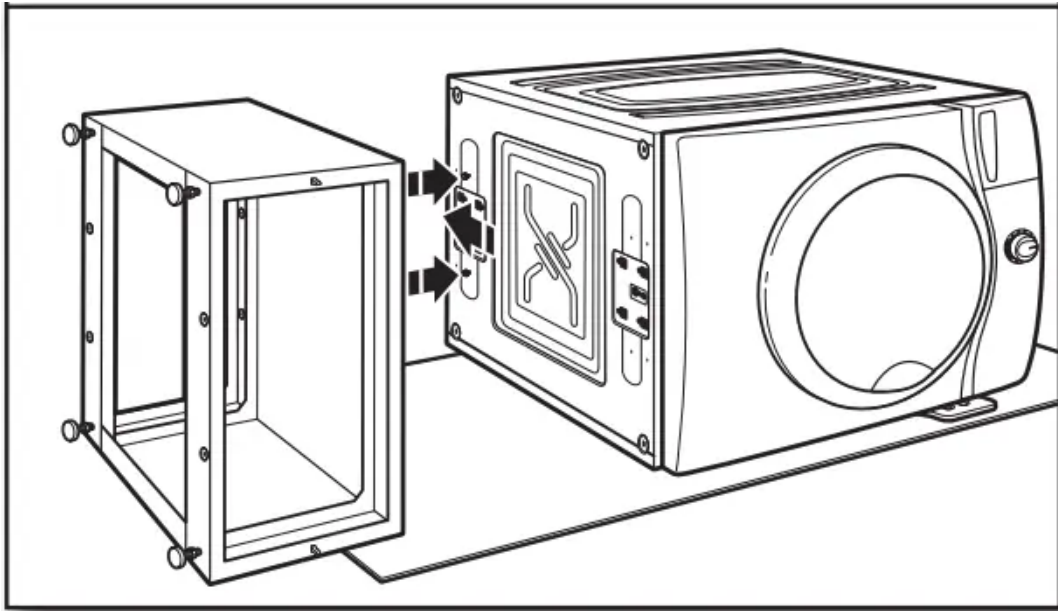
## 2. Prepare the washer



Partially install two of the #12 x 3/4" hex-head sheet metal screws in the indicated holes. Leave a space of about 3/8" (10 mm) between the screw head and the bottom of the washer.

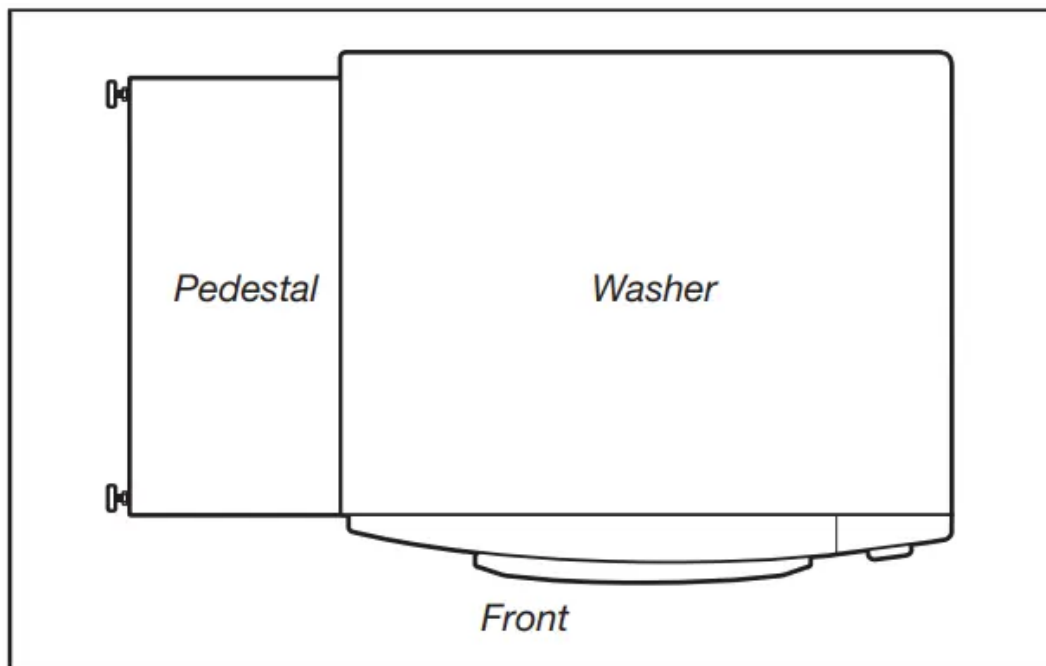
**NOTE:** If your washer has leveling feet installed, remove them.

### 3. Attach pedestal to washer



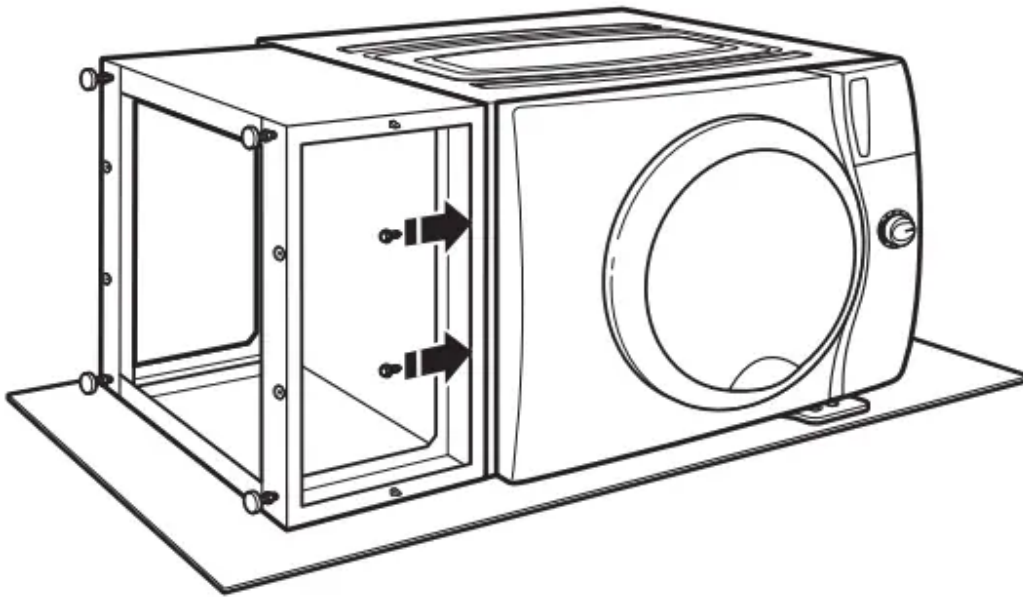
Move the pedestal against the washer bottom. The front of the pedestal cabinet should align with the washer cabinet as shown below.

Slide the pedestal's keyhole slots over the lower two partially installed screws.



*View from above*

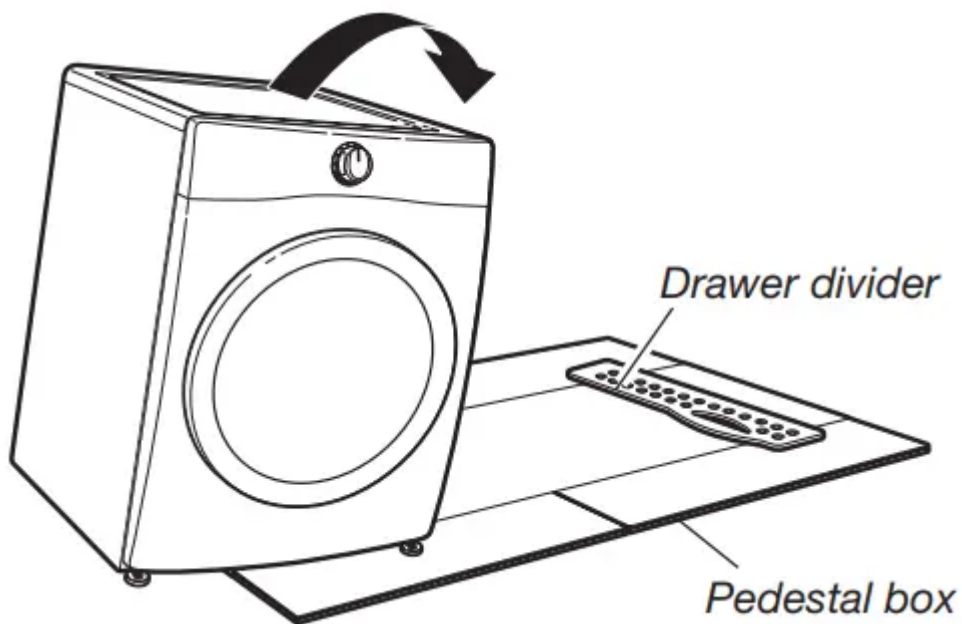
#### 4. Secure pedestal to washer



Position the pedestal toward the front of the washer and install the two remaining hex-head sheet metal screws. Do not tighten completely. Now proceed to “Complete the pedestal installation”.

### Installing the pedestal on the dryer

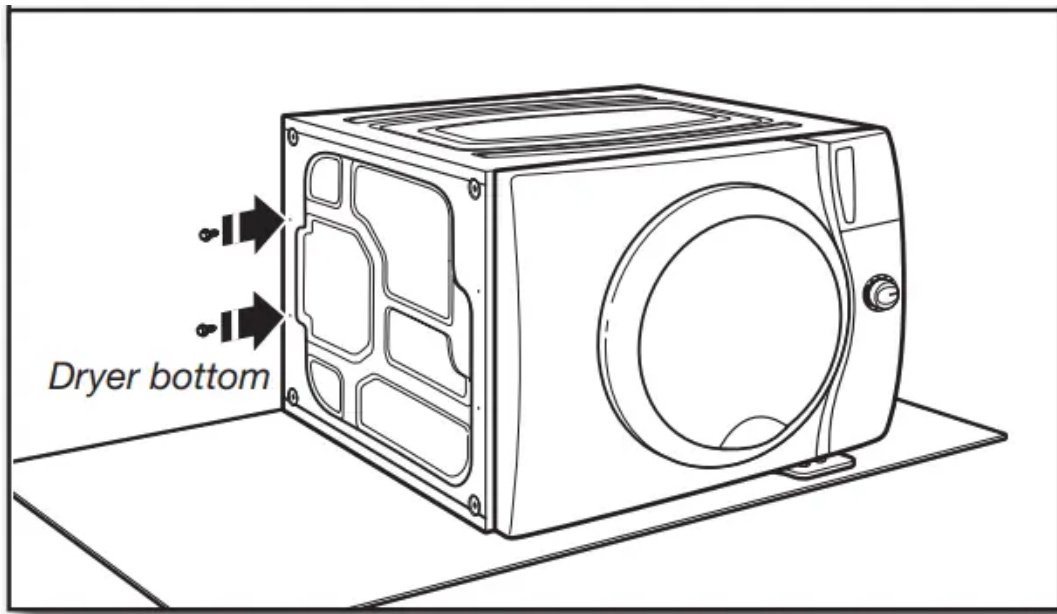
#### 1. Place dryer on its side



To avoid floor damage and ease installation and handling, unfold the empty pedestal box flat and place it next to the dryer. Position the drawer divider so that it will be near

the top of the dryer, as shown. Gently tip the dryer on its side so the dryer is resting on the drawer divider.

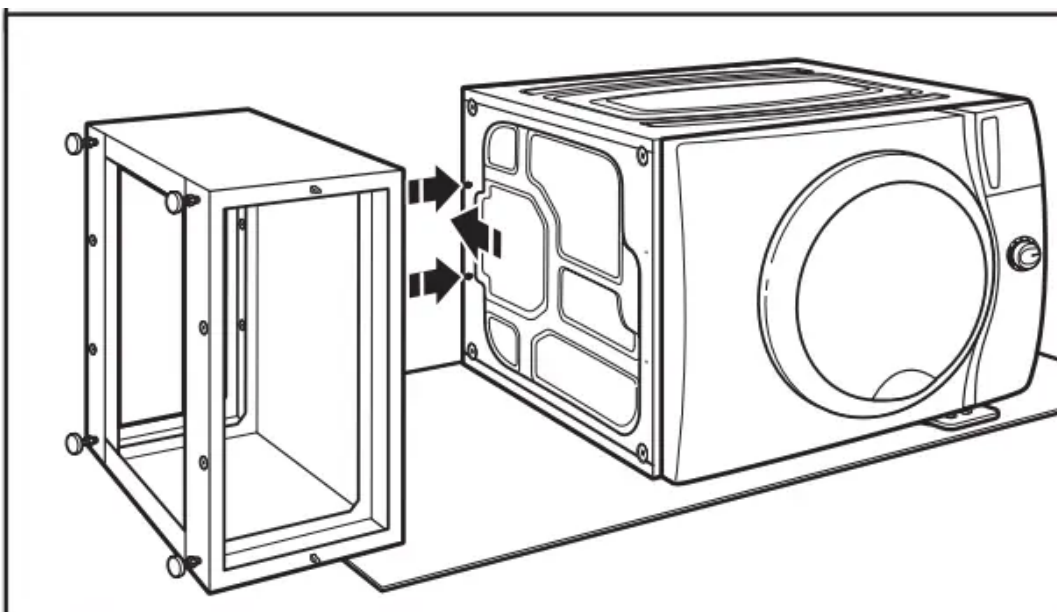
## 2. Prepare the dryer



Partially install two of the #12 x 3/4" hex-head sheet metal screws in the indicated holes. Leave a space of about 3/8"

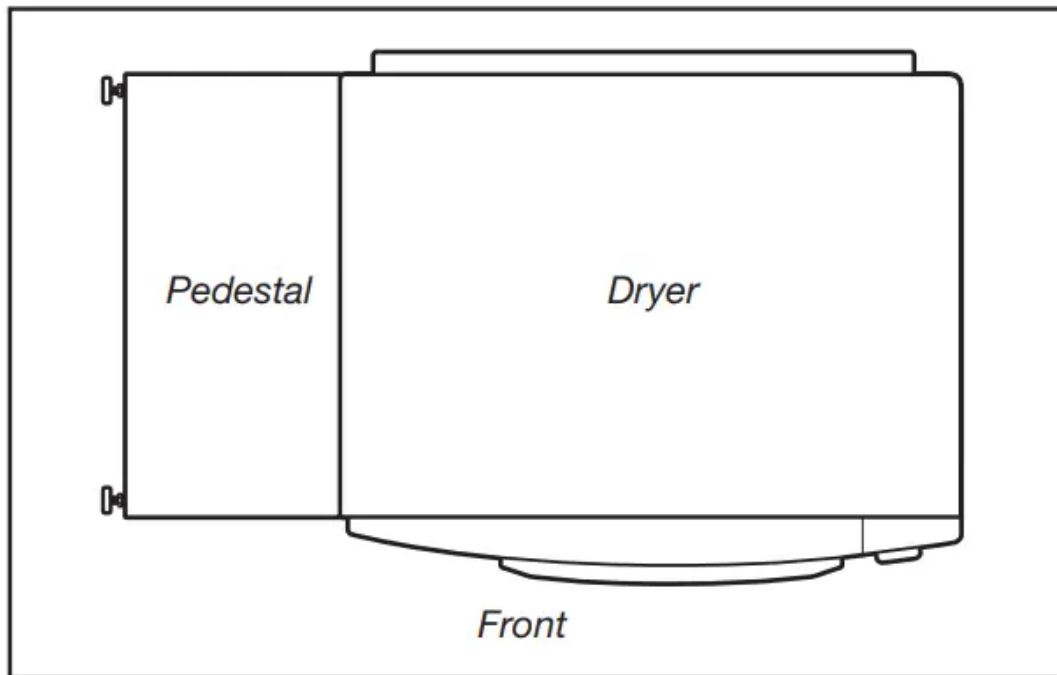
(10 mm) between the screw head and the bottom of the dryer. NOTE: If your dryer has leveling feet installed, remove them. Do not install the feet that came with the new dryer.

## 3. Attach pedestal to dryer



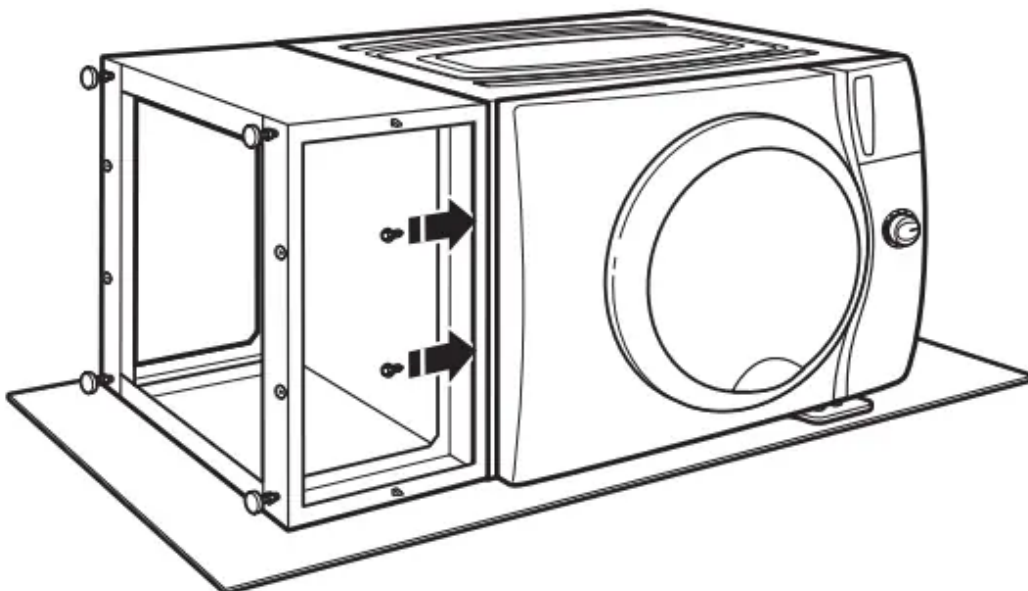
Move the pedestal against the dryer bottom. The front of the pedestal cabinet should align with the dryer cabinet as shown below.

Slide the pedestal's keyhole slots over the lower two partially installed screws.



View from above

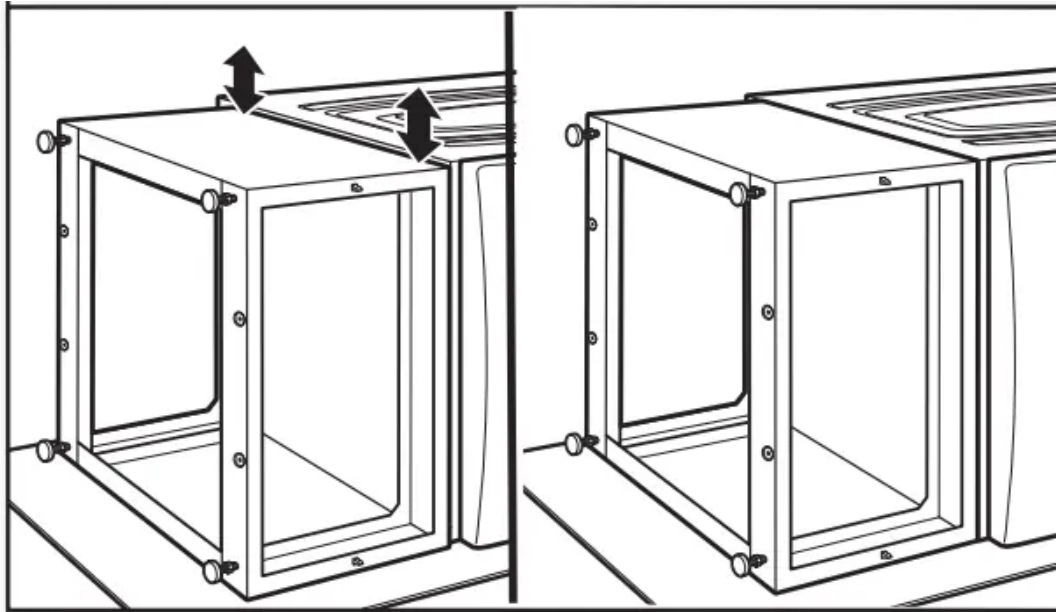
#### 4. Secure pedestal to dryer



Position the pedestal toward the front of the dryer and install the two remaining hex-head sheet metal screws. Do not tighten completely. Now proceed to "Complete the pedestal installation".

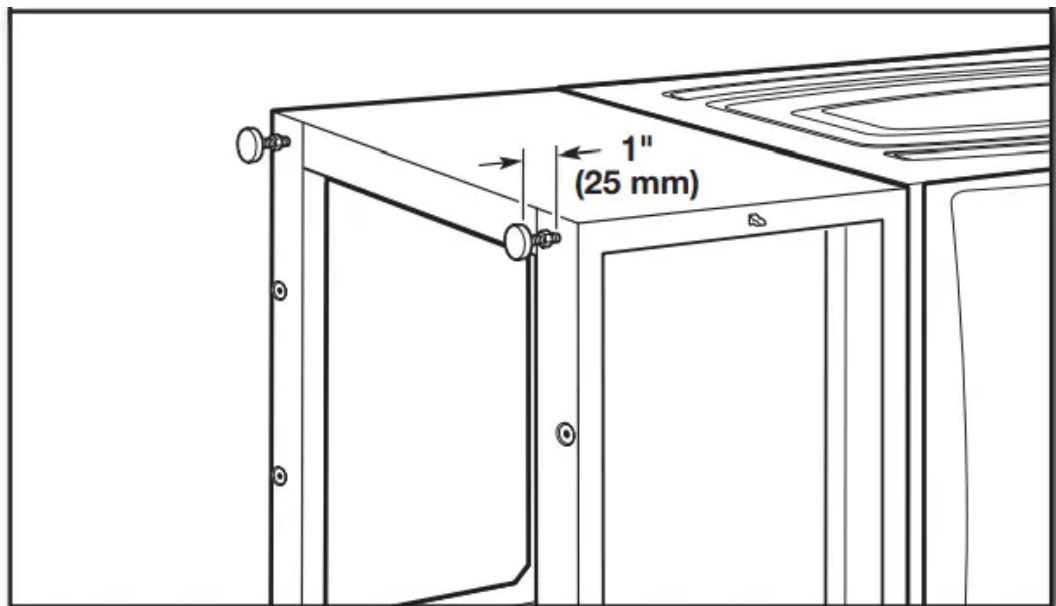
## COMPLETE THE INSTALLATION

### 1. Align sides of pedestal



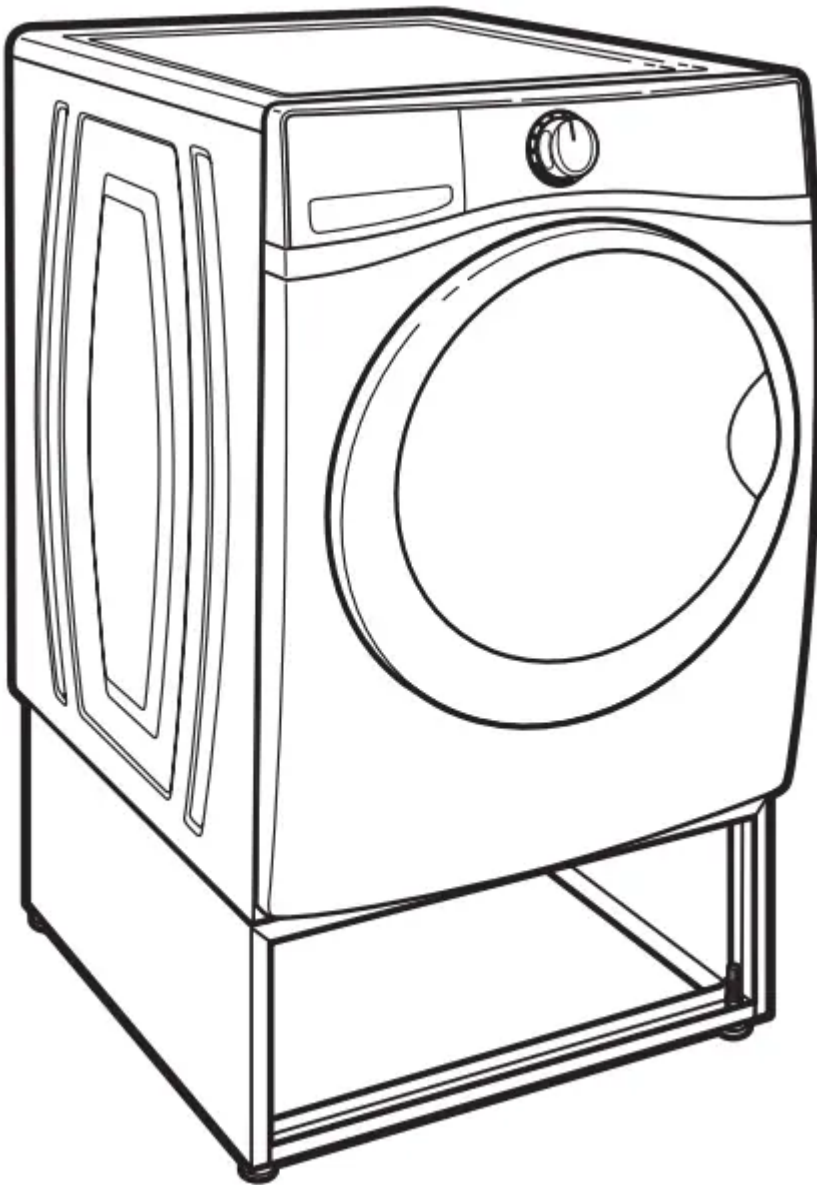
Align the sides of the pedestal so that they are even with the sides of the washer/dryer. Reach inside the pedestal opening and securely tighten all four pedestal screws.

### 2. Prepare pedestal feet



Using a 1/4" hex head ratchet or open-end wrench, lower the feet approximately 1" (25 mm) away from the bottom of the pedestal.

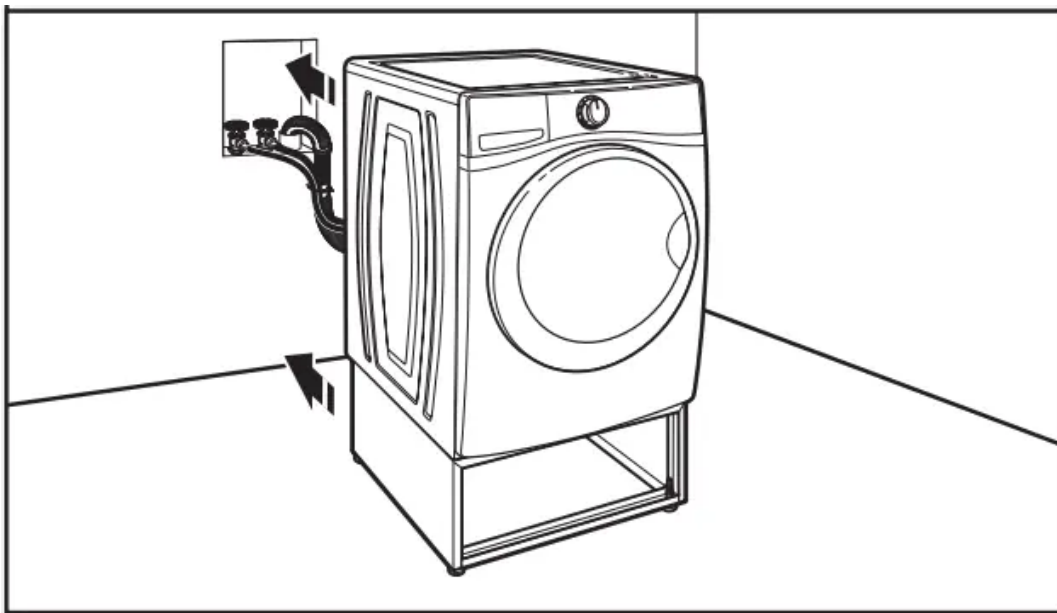
### 3. Stand the washer/dryer upright



Tip the washer/dryer back to its upright position. Remove any remaining packaging material. Set the pedestal box aside for use if installing another pedestal. Once both the washer and dryer have been installed, dispose of/recycle all packaging material.

## Level the washer/dryer

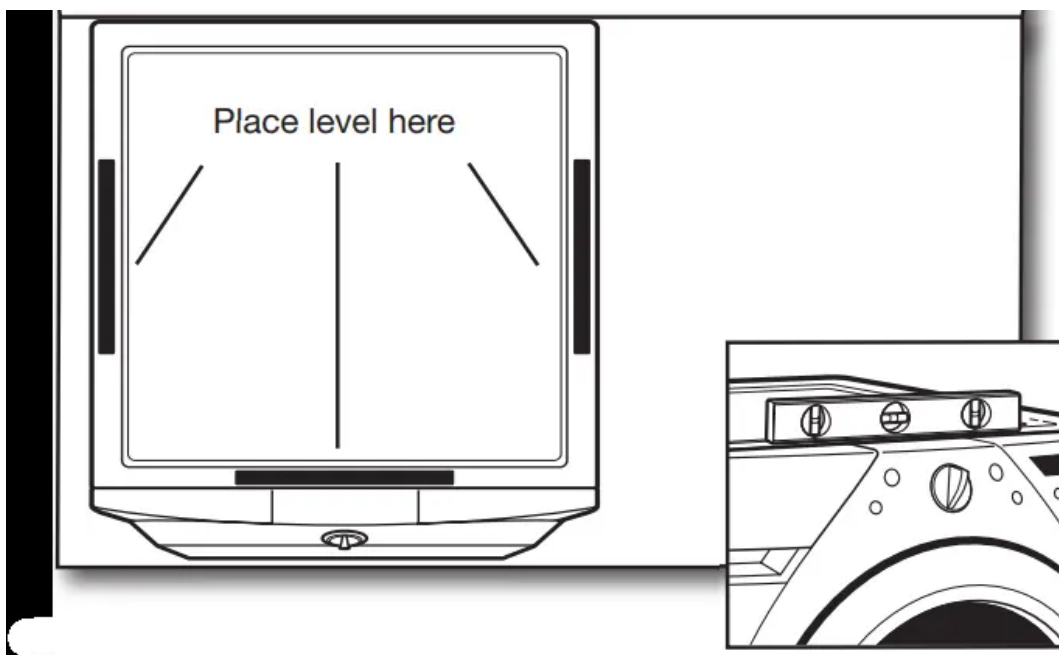
### 1. Move close to final location



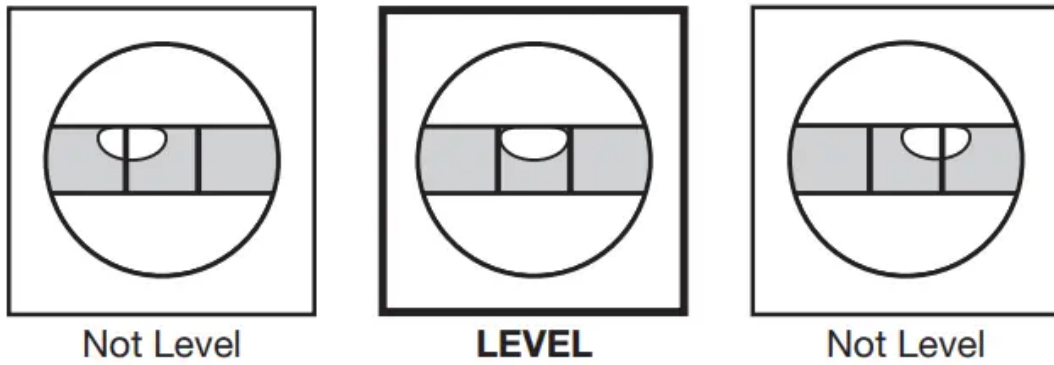
Follow the installation instructions that came with your model to finish installing or reinstalling your washer/dryer (i.e., hoses, vents, etc.).

**NOTE:** Be sure to remove the transport bolts from the back of the washer.

### 2. Check levelness of washer/dryer

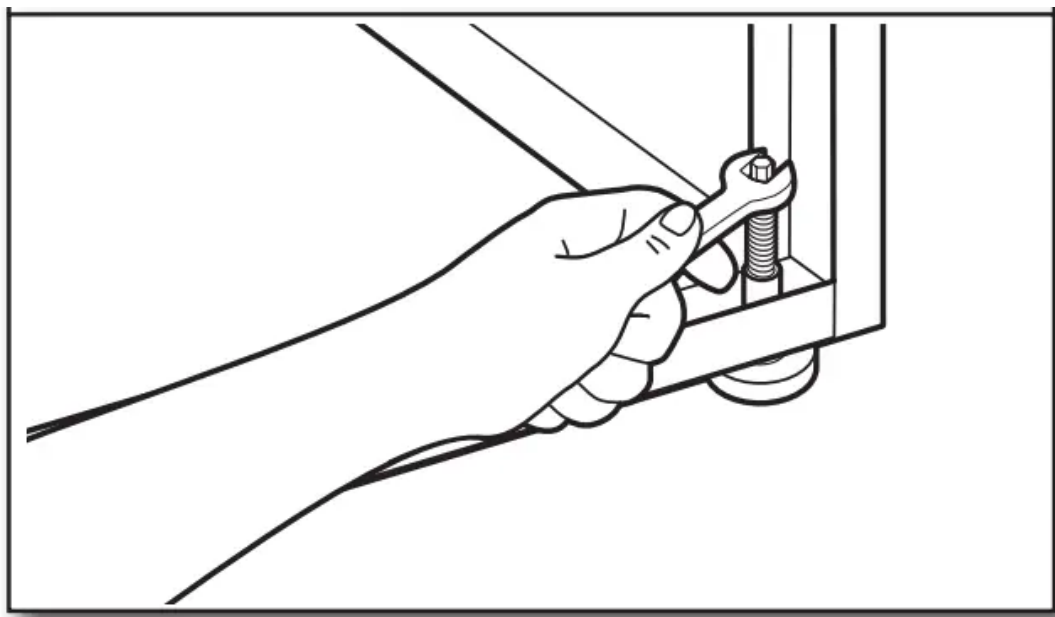


Place a level on top edges of washer/dryer, checking each side and front. Rock washer/dryer back and forth to make sure all four feet make solid contact with floor.



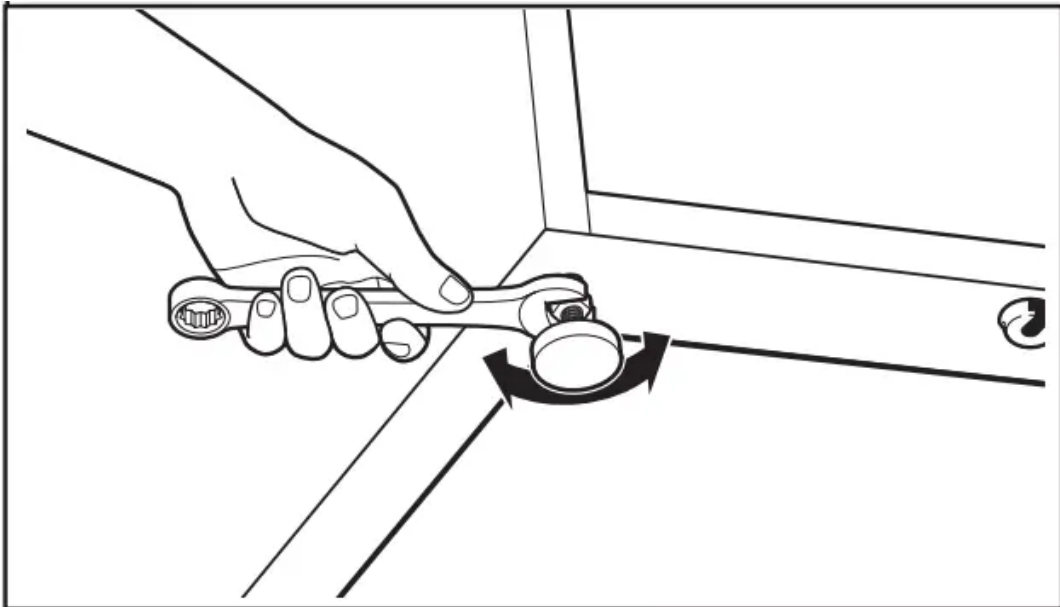
If not level, adjust pedestal feet up or down, repeating as necessary.

### 3. Adjust pedestal feet



Locate the 1/4" hex-head screws on the top of each pedestal foot. Reach inside the pedestal and use a 1/4" hex-head ratchet or open-end wrench to adjust the feet up or down as needed, to level the washer/dryer.

**NOTE:** Make sure all four pedestal feet are in solid contact with the floor.

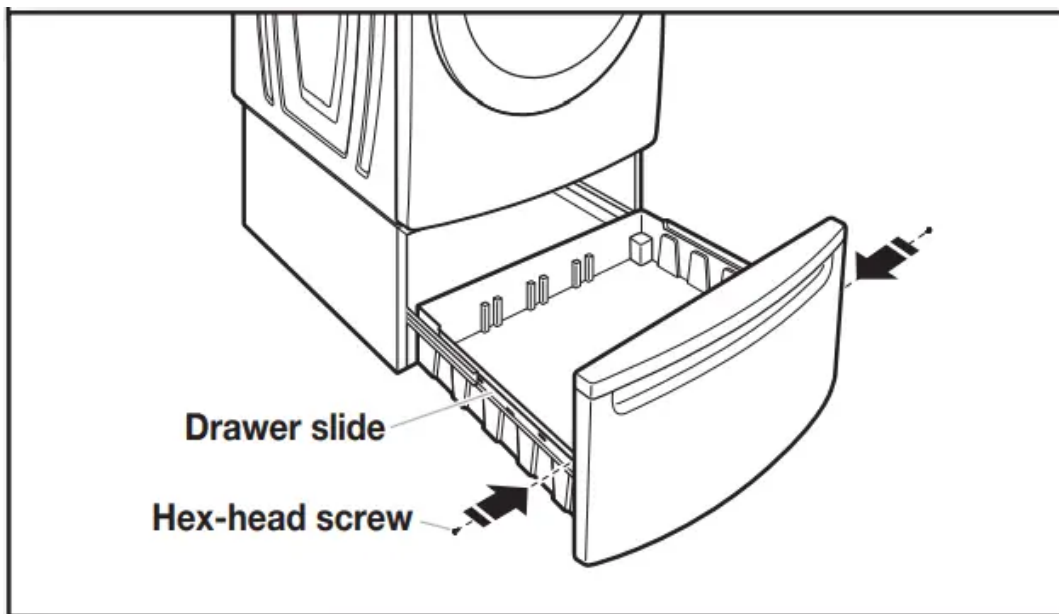


When the washer/dryer is level, use a 9/16" open-end wrench to securely tighten all four jam nuts against the pedestal.

**IMPORTANT:** The jam nuts must be tightened to avoid vibration.

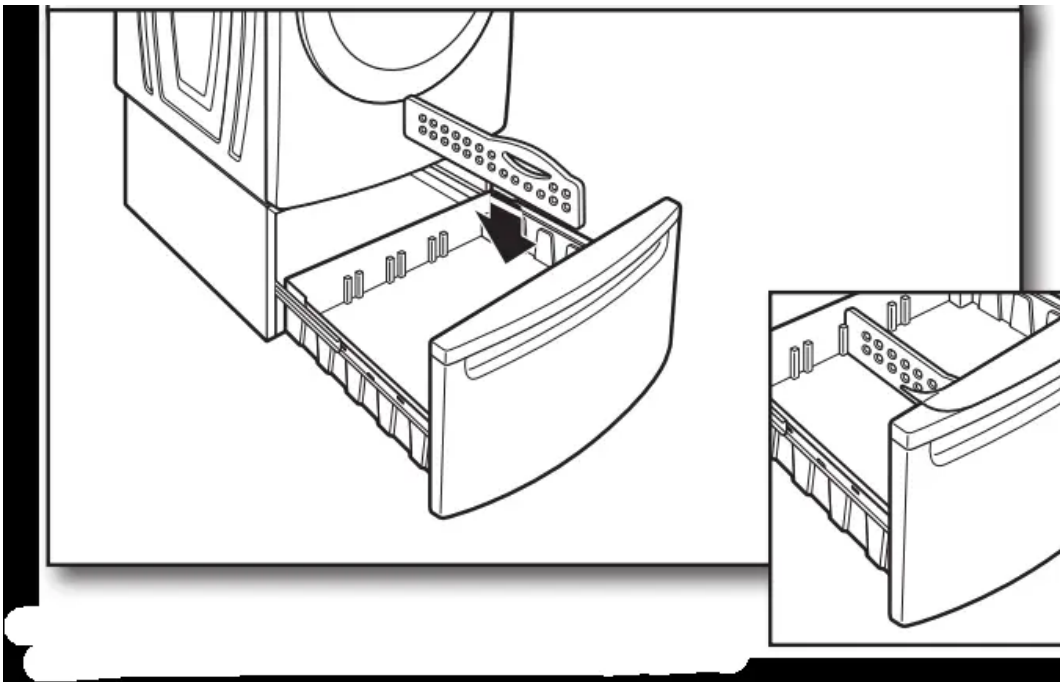
## Reinstall pedestal drawer

### 1. Reassemble pedestal drawer



Pull both drawer slides out and reassemble the drawer to the drawer slides with the two hex-head screws..

## 2. Place drawer divider in drawer



Remove the shipping film from the drawer. Place the divider in the drawer at the desired location. Close the drawer.

**NOTE:** Use of the divider is optional.

### **Warning**

This content is compiled from multiple sources and is provided for reference purposes only. It may not be complete or fully applicable to all situations. If you are unable to resolve your issue, please contact the product manufacturer or an authorized service provider for official support.