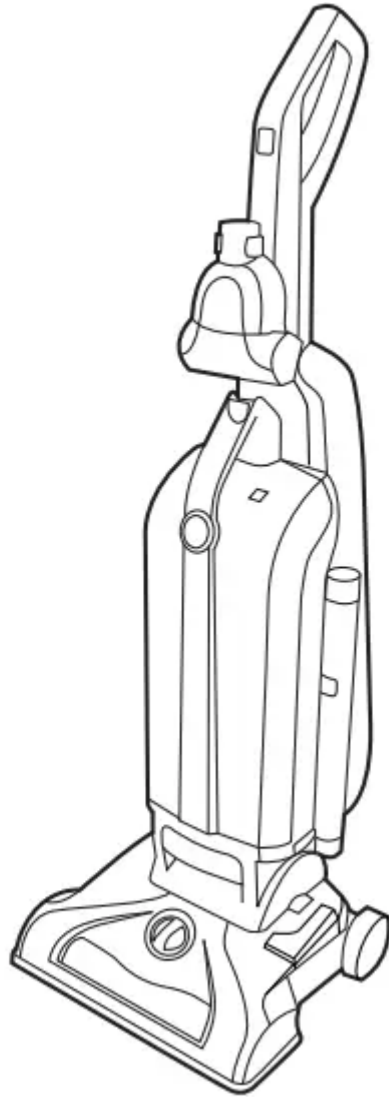
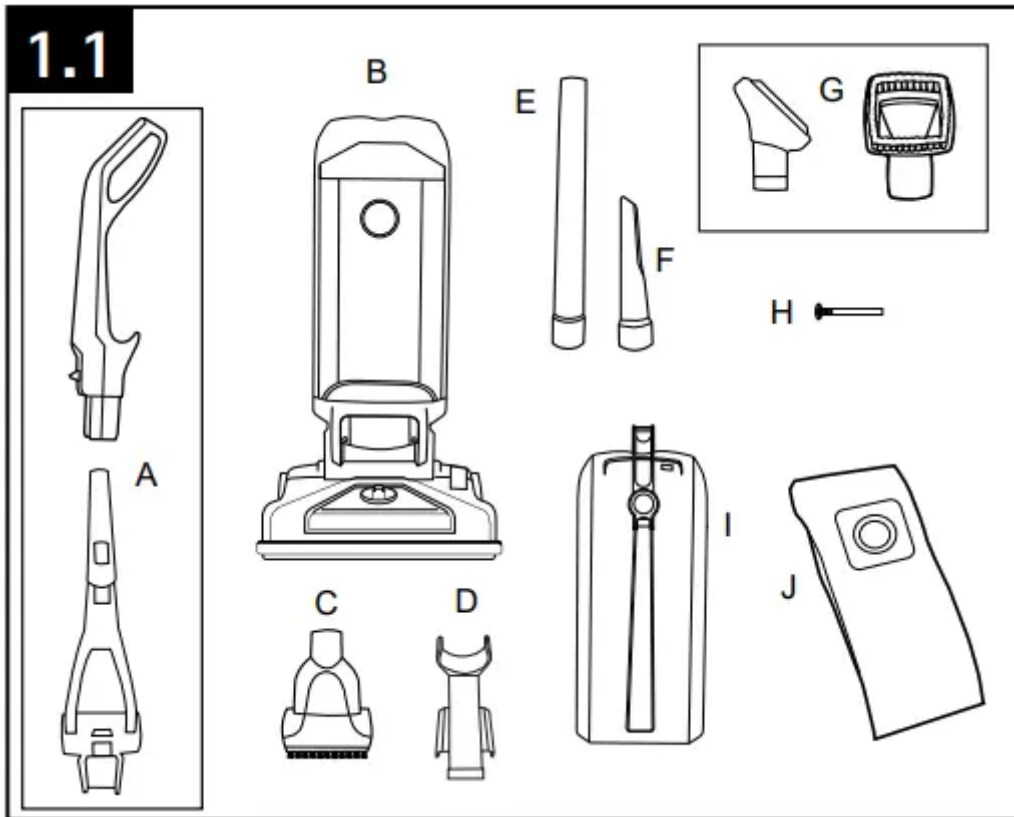


User manual Vacuum



Vacuum ASSEMBLY

Carton contents



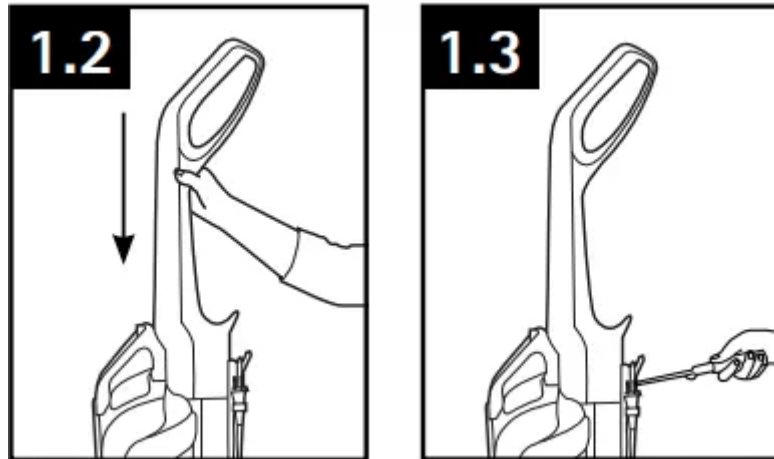
- A. Handle*
- B. Vacuum Base
- C. Powered Hand Tool*
- D. Powered Hand Tool Clip
- E. Wand
- F. Crevice Tool
- G. Dusting/Upholstery Tool*
- H. Screw (for assembly)
- I. Bag Door
- J. Bag

*Tool varies per model.

Remove all parts from carton and identify each item shown.

Make sure all parts are located before disposing of packing materials.

Attach handle

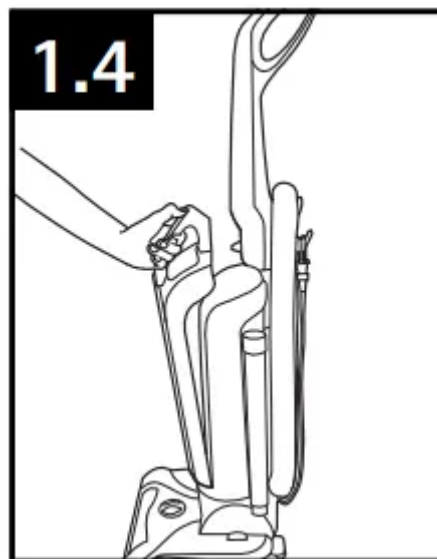


Note: Remove the screw located in the vacuum base and set aside until instruction 1.3

1.2 Insert handle section into vacuum base. Push down firmly.

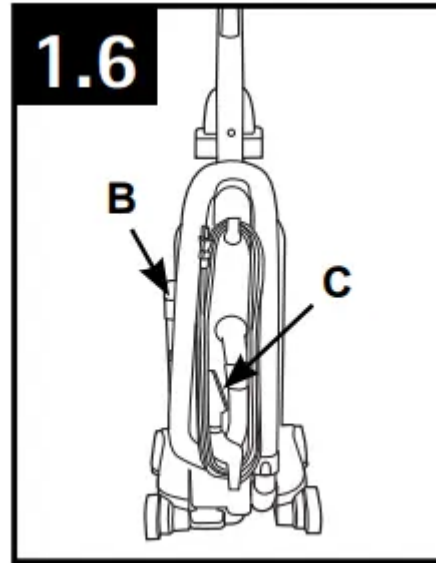
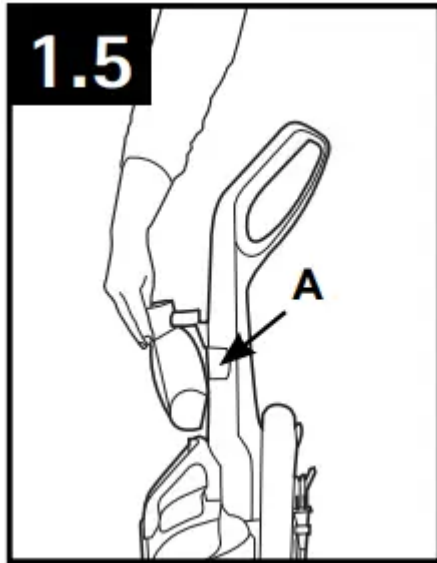
1.3 Using a Phillips screwdriver, fasten (1) screw behind handle into vacuum base.

Attach Bag Door



1.4 Place bottom of Bag Door into vacuum body first. Make sure the filter bag is securely tucked into the vacuum. Pivot Bag Door into vacuum. Bag Door is secure when you hear a click.

Position Tools

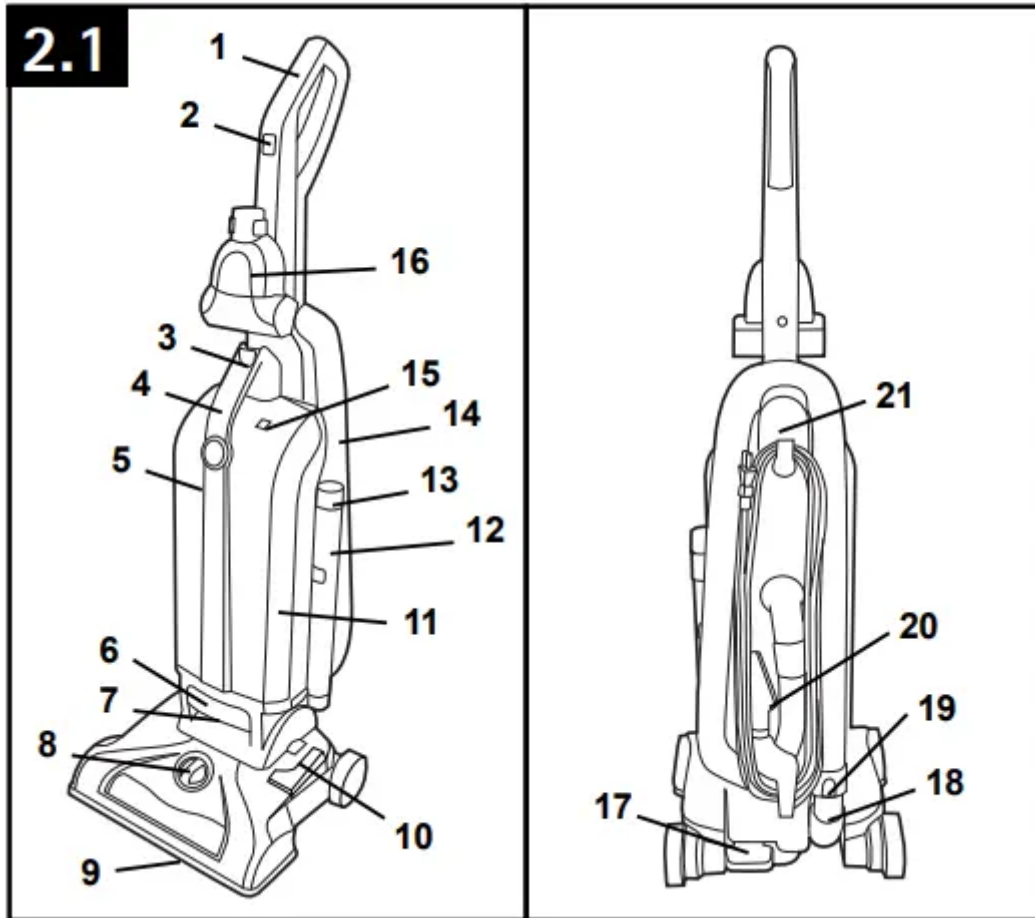


1.5 Secure Powered Hand Tool Clip (A) over ridges on side of handle. Attach bottom of Powered Hand Tool and pivot into clip until secure.

1.6 Place Crevice Tool into Wand and slide into tool storage area on left back side (B) of vacuum and place Upholstery Tool on back side (C) of vacuum as shown.

HOW TO USE

Vacuum Description



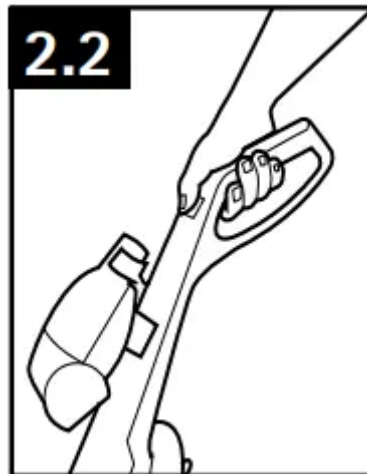
1. Handle
2. ON/OFF Switch
3. Bag Door Release Button
4. Carry Handle
5. Bag Door
6. Headlight*
7. Stair Cleaning Handle
8. Height Adjustment
9. Furniture Guard
10. Brushroll On/Off Pedal*
(Suction Only Mode)
11. Filter and Filter Bag access
12. Wand
13. Crevice Tool
14. Hose
15. Bag Check Indicator
16. Powered Hand Tool**

- 17. Handle Release Pedal
- 18. Hose Tube
- 19. Hose Release Button
- 20. Dusting/ Upholstery Tool**
- 21. Folding Handle Release*

*Available on select models only

**Varies per model

ON-OFF Switch

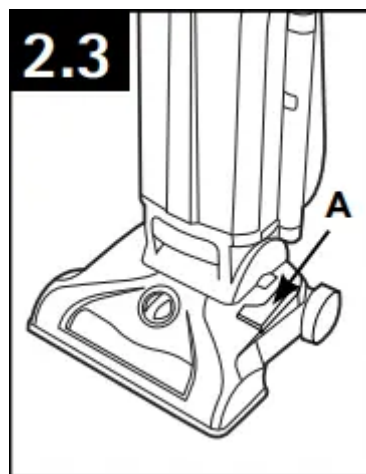


2.2 Plug cord into electrical outlet.

To turn vacuum ON, push ON/OFF switch once.

To turn vacuum OFF, push switch again.

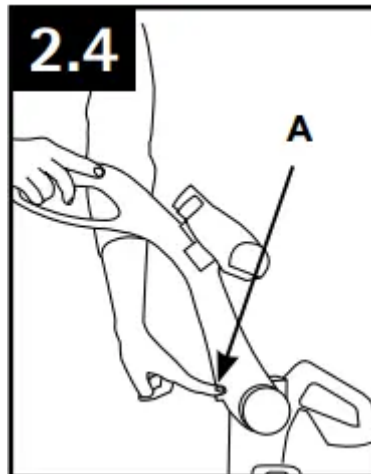
SUCTION ONLY MODE



2.3 For optimal cleaning performance on bare floors, brushroll should be turned off.

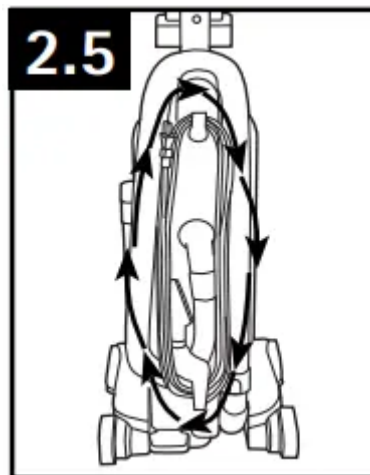
The vacuum is shipped with the brushroll in the ON position. To turn brushroll OFF for Suction Only Mode, step on pedal (A).

FOLDING HANDLE for storage. (Available on select models only)



2.4 Press Handle Release (A) to fold the handle to storage position.

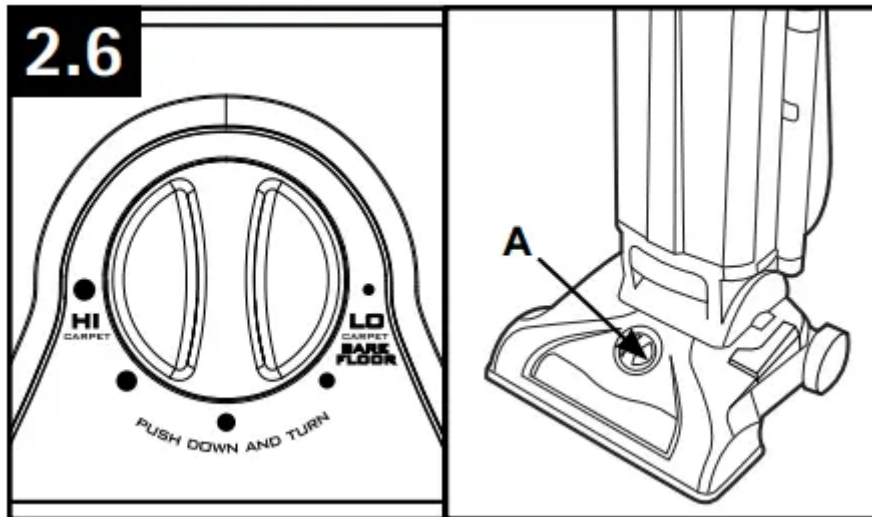
Cord STORAGE



2.5 Wrap cord on cord hooks for convenient storage.

Attach the plug end to the cord.

CARPET HEIGHT ADJUSTME



2.6 To adjust Height setting, PUSH DOWN and TURN knob (A) to desired setting.

For maximum cleaning performance, the following carpet height settings are recommended:

- Lowest setting: for all types of carpet and bare floors.
- Higher settings: for very deep pile carpet, where easier pushing effort is desired, while maintaining good cleaning performance.

IMPORTANT: If the vacuum is difficult to push, push down and turn knob to the next higher setting.

TOOLS

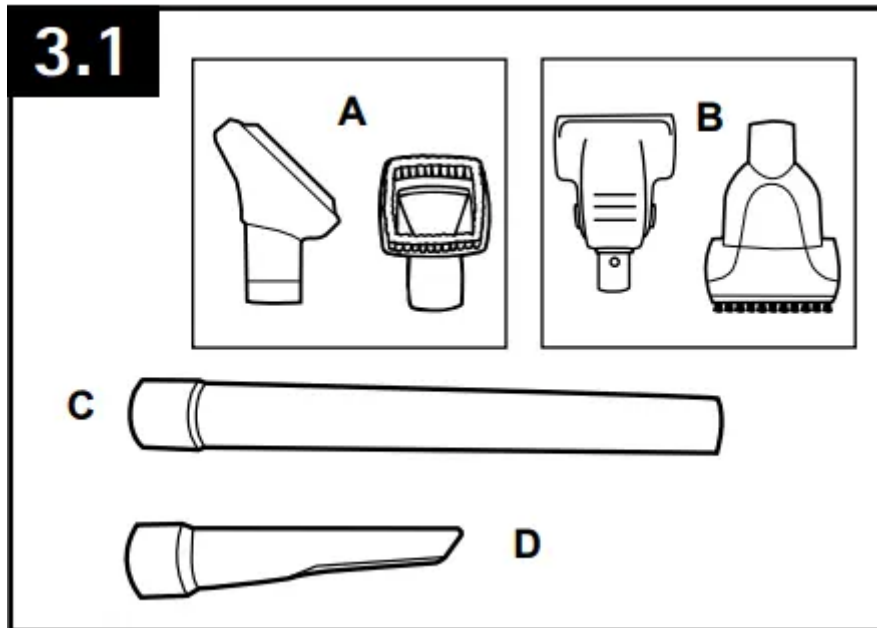
Tools allow for cleaning surfaces above the floor and for reaching hard to clean areas.

The vacuum is ready for tool use when handle is in upright position.

On models with “Suction Only Mode”, always place vacuum in “Suction Only Mode” for tool use.

IMPORTANT: Brushroll continues to turn while product is turned on and handle is in upright position unless vacuum is in “Suction Only Mode” (available on select models only). To avoid damage to carpet, rugs, furniture and flooring, avoid tipping cleaner or setting it on furniture, fringed area rugs, or carpeted stairs during tool use.

Select Proper Tool (Tools may vary per model)



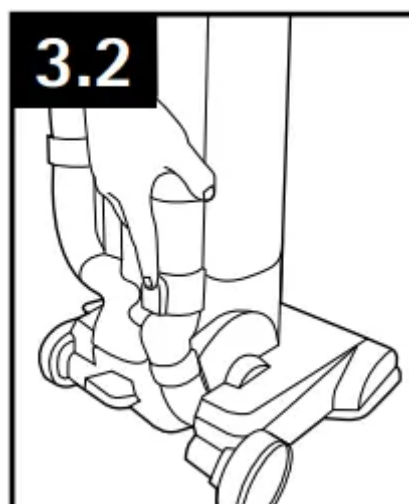
A. Use Upholstery Tool to clean upholstered furniture, draperies, mattresses, clothing, and carpeted stairs. (Tool varies per model)

B. Powered Hand Tool may be used for upholstered furniture, draperies, mattresses, clothing, automobile interiors, and carpeted stairs. (Tool varies per model)

C. Wand is used to give extra length to your hose. Use it with any of the above tools.

D. Crevice Tool may be used in tight spaces, corners and along edges in such places as dresser drawers, upholstered furniture, stairs and baseboards.

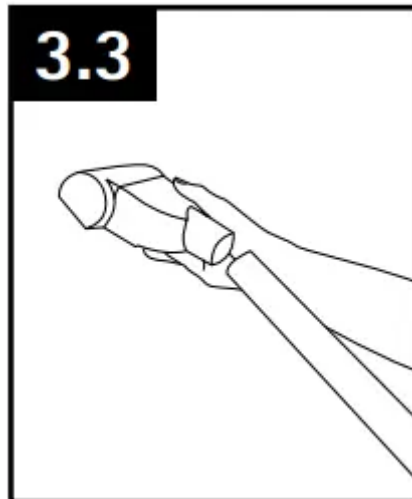
Removing Hose



3.2 To remove Hose for tool use, press the Hose Release Button and pull Hose end out.

To lock back into place, push Hose into Hose Tube until you hear a click.

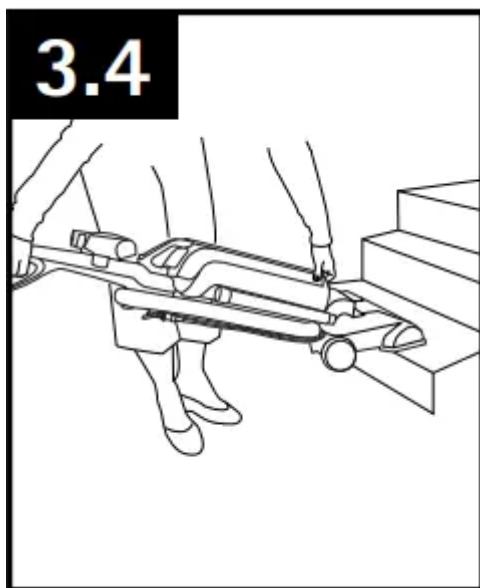
Attach Wand and Tools



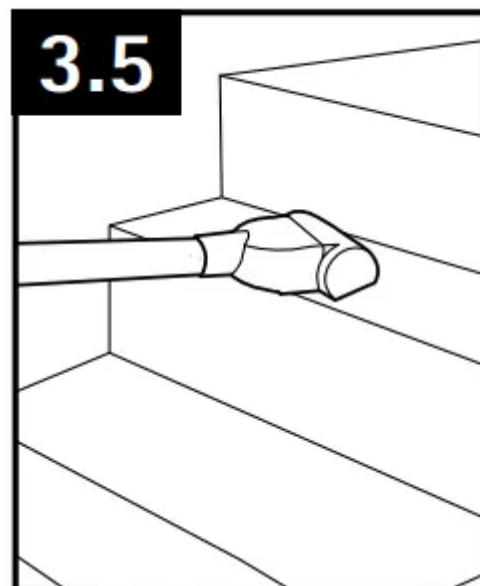
3.3 To attach tool or wand to hose, push firmly into place.

WARNING ! Unplug vacuum before connecting Powered Hand Tool.

Stair Cleaning



3.4 Lift vacuum by Stair Cleaning Handle and position on stairs. Clean forward to back. Never leave the vacuum standing on stairs when not cleaning.



3.5 Use the Hose and Powered Hand Tool (Tool varies per model) for stair cleaning. When using tools, always turn the brushroll off by stepping on the "Suction Only Mode" (available on select models only) pedal as shown in diagram 2.3.

CAUTION: Use extra care when cleaning on stairs. To avoid personal injury or damage, and to prevent the cleaner from falling, always place cleaner at bottom of stairs on floor. Do not place cleaner on stairs or furniture, as it may result in injury or damage. When using tools,

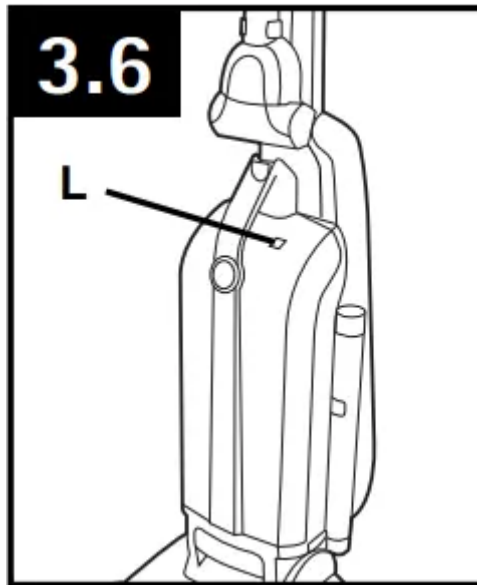
always turn the brushroll off by stepping on the “Suction Only Mode” (available on select models only) pedal as shown in diagram 2.3.

How to Clean Tools

To clean Hose and Powered Hand Tool, wipe with a damp cloth. DO NOT submerge in water.

Other cleaning tools may be washed in warm water with a detergent. Rinse and air dry completely before using.

Check bag indicator



The indicator (L) will begin to show red as the filter bag fills with dirt. There are three conditions that will cause the indicator to become completely red:

1. If the bag is full; change the bag.
2. If very fine materials have been picked up, clogging the bag pores; change the bag.
3. If there is a blockage in the nozzle, hose, tools or at the bag opening; remove the blockage.

MAINTAINCE

Familiarize yourself with these home maintenance tasks as proper use and care of your vacuum will ensure continued cleaning effectiveness.

Any other servicing should be done by an authorized service representative.

Filter bag: When to Replace

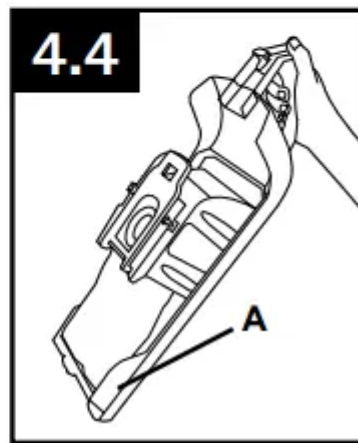
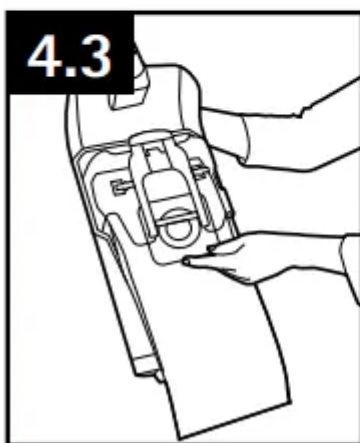
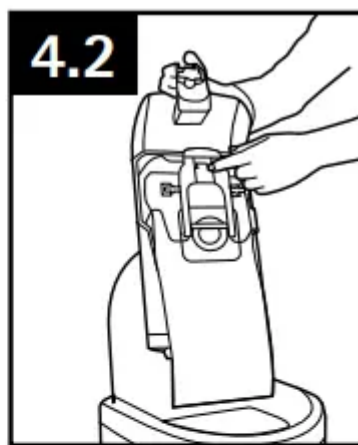
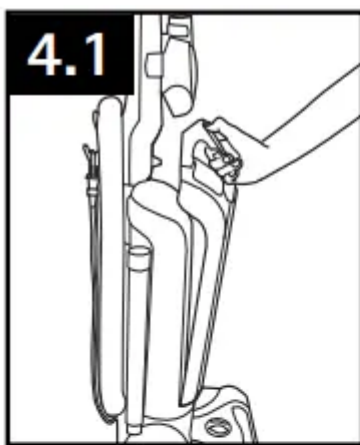
IMPORTANT: All new carpet has loose fibers which can fill the bag quickly while vacuuming. This type of debris does not activate the “Check bag” indicator available on some models.

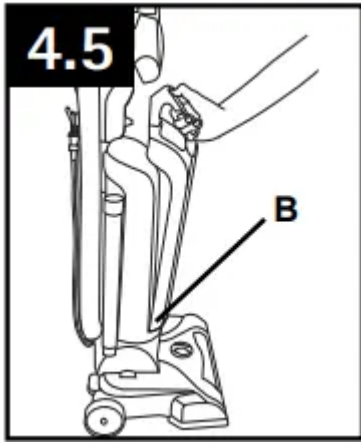
CAUTION: Very fine materials, such as face powder or cornstarch, may seal the filter bag and may cause it to burst even though it is partially full of dirt. When the cleaner is used to remove material of this nature, change filter bag often

Filter bag: How to Replace

CAUTION: To reduce the risk of injury from moving parts, unplug vacuum before servicing.

Do not use vacuum without filter bag in place.





4.1 To change filter bag, push up door release latch with thumb and pull handle forward. Remove door.

4.2 Push on the red lever over a trash receptacle and drop the bag into the trash.

IMPORTANT: Do not clean out old filter bag and reuse. Discard used filter bag.

4.3 Hold new filter bag as shown. Slide the cardboard sleeve into the bag holder until the bag is securely in place.

4.4 Fold bottom of bag and tuck between ribs (A) on bottom door. Make sure bag does not interfere with door seal.

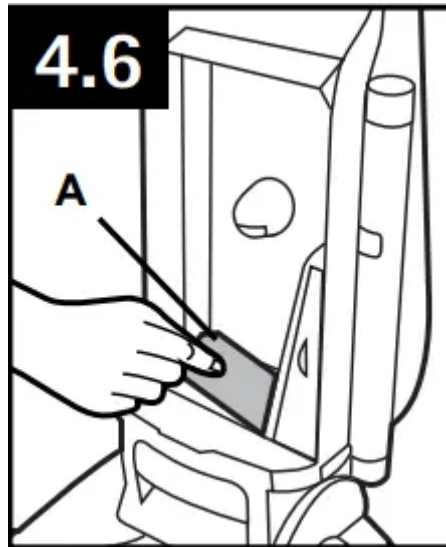
4.5 Reposition bag door by placing tabs on bottom of door into opening (B). Make sure the filter bag is securely tucked into the vacuum.

Push door handle to snap securely shut.

Filters: How to Clean

CAUTION: To reduce the risk of injury from moving parts, unplug vacuum before servicing. Do not operate cleaner without either the secondary or final filter in place.

Secondary Filter

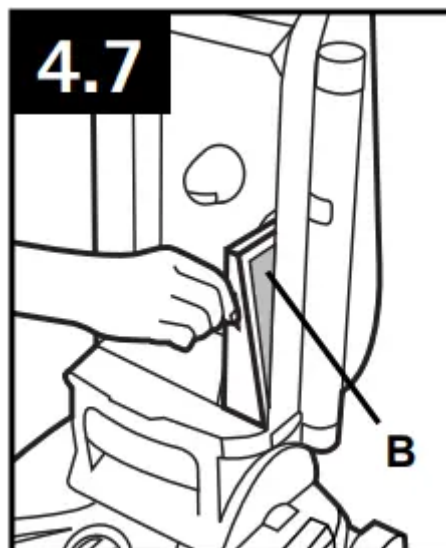


4.6 The secondary filter (A) protects the motor from dirt particles.

If filter becomes dirty, pull off grill and lift out filter. Hand wash filter in cold water. Let filter air dry for 24 hours. Reposition dry filter and grill.

What to Buy: Secondary Filter Use only genuine HOOVER® Secondary Filter with your vacuum. When purchasing a new Secondary Filter, ask for Hoover ® Part No. 902417001.

Final Filter

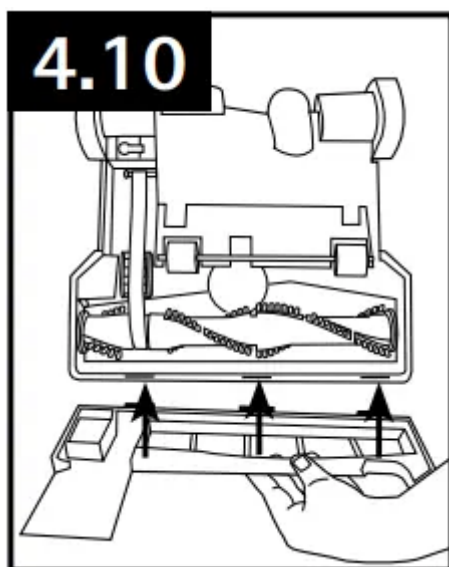
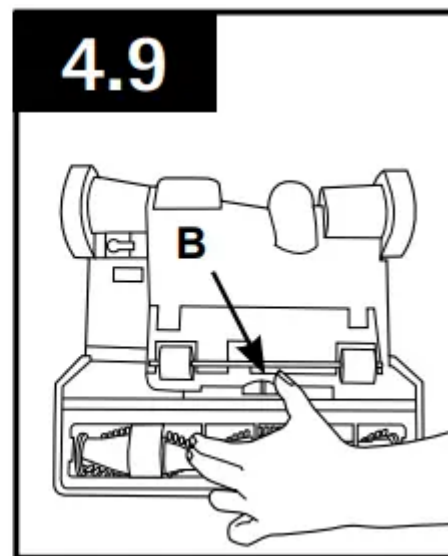
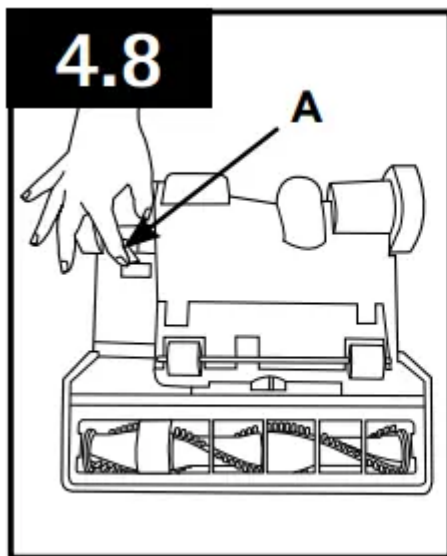


The final filter assists in the filtration process to return clean air to the room.

4.7 To remove the filter, pull tab on filter holder down and remove filter. Lift out filter (B) and hand wash it in cold water.

Let filter air dry for 24 hours and reposition it on the side of the filter holder and push filter holder back into cleaner.

BRUSHROLL: How to Clean



CAUTION To reduce the risk of injury from moving parts, unplug vacuum before servicing.

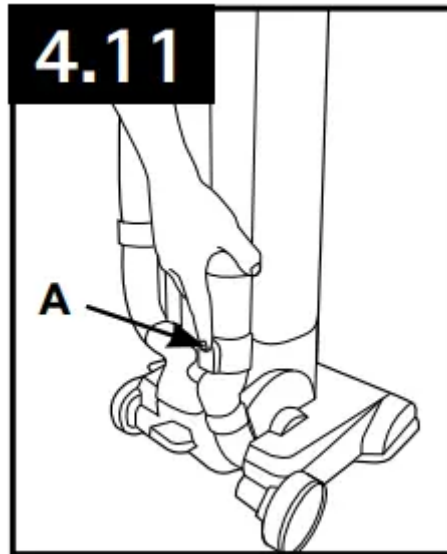
4.8 Turn vacuum over so bottom side is facing up. Rotate red upper latch (A) counterclockwise.

4.9 Slide red lower latch (B) to the unlock position.

4.10 Pivot out bottom plate and remove any debris and/or hair from brushroll.

Reposition bottom plate, aligning tabs along front edge of nozzle guard with slots in nozzle. Rotate back into position. Slide red lower latch to Lock position, and rotate red upper latch clockwise.

HOSE: How to Clean

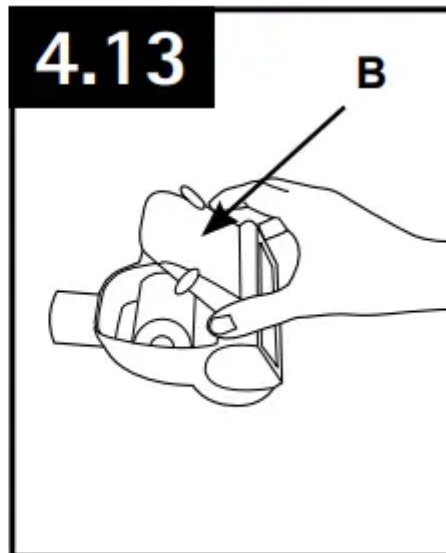
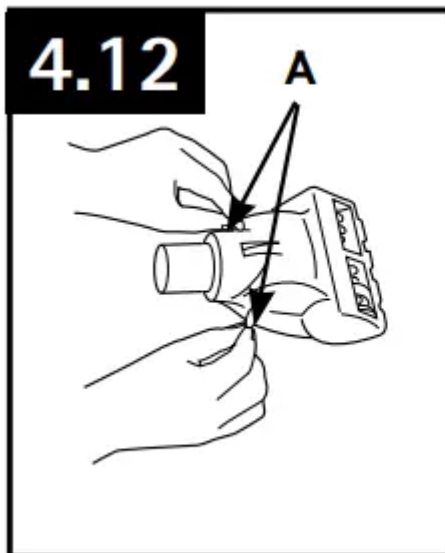


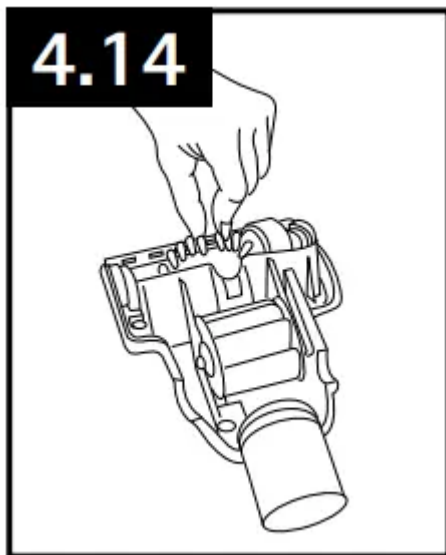
4.11 To remove Hose for tool use or for maintenance, press the Hose Release Button (A) and pull Hose end out.

Clear away debris or obstructions from Hose. Do not use sharp objects to clean out hose as they can cause damage. To lock back into place, push Hose into Hose Tube until you hear a click.

Powered Hand Tool: How to Clean (Tool varies per model)

CAUTION To reduce the risk of injury from moving parts, unplug vacuum before servicing.



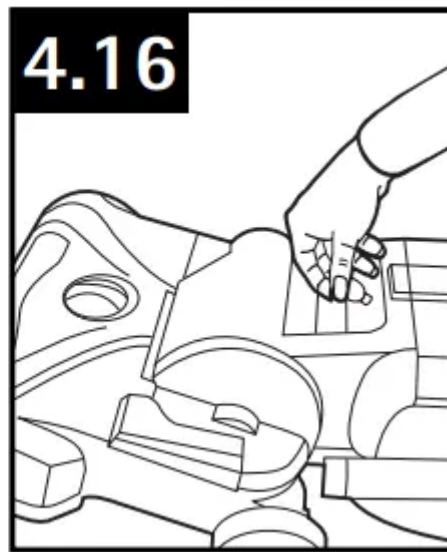
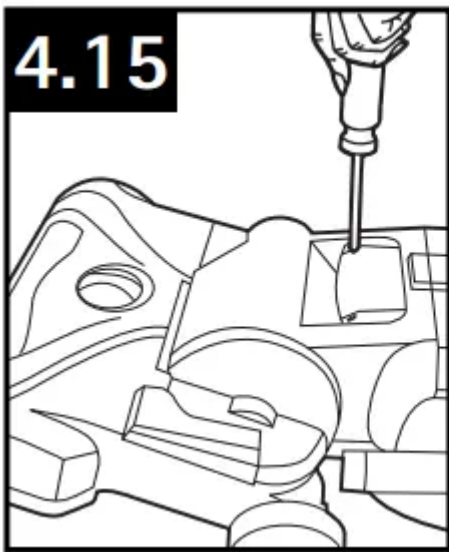


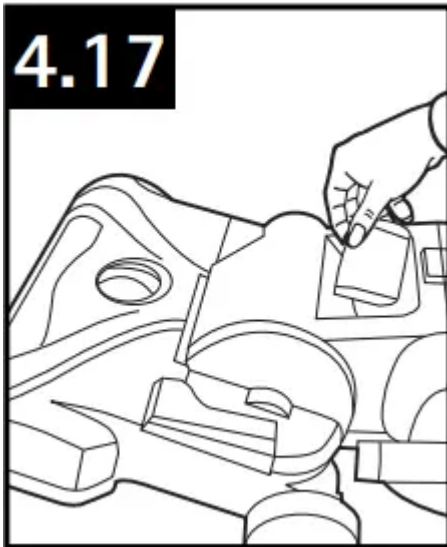
4.12 Turn tool so bottom faces up. Rotate the latches (A) on either side of tool.

4.13 Remove bottom plate (B).

4.14 Remove any debris and/ or hair from brushroll. Replace bottom plate by aligning tabs along front edge of tool. Rotate latches back into locked position.

Headlight: How to Replace (Available on select models only)





Removing Lens

4.15 Using a screwdriver, remove the two screws as shown and lift off lens.

Installing Bulb

4.16 Pull old bulb straight out of socket. Push new bulb straight into socket until locked in place.

Excessive force is not required.

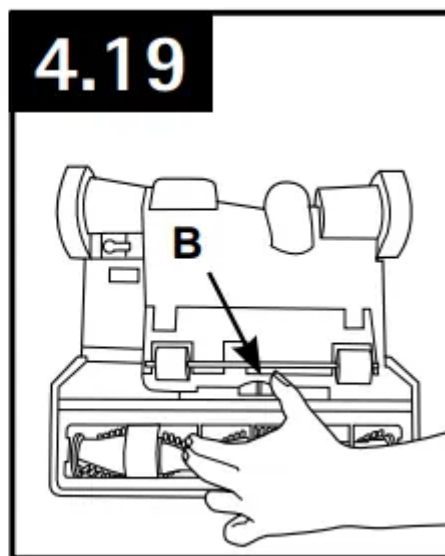
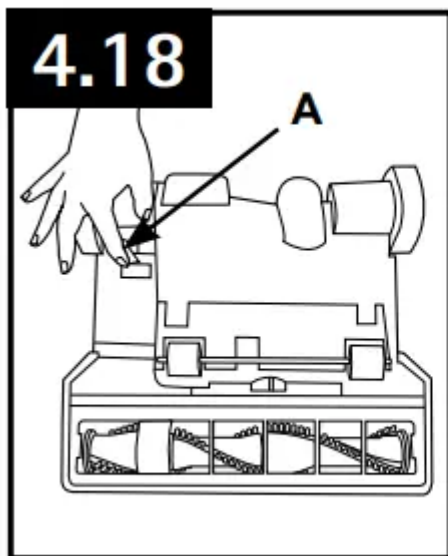
Replacing Lens

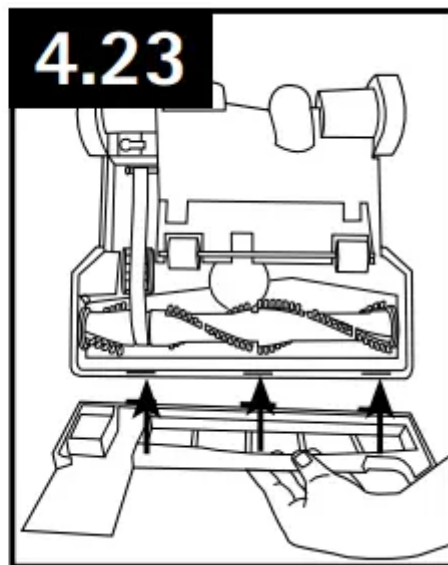
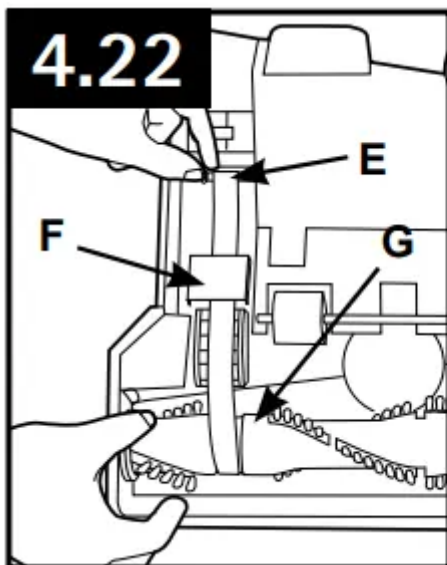
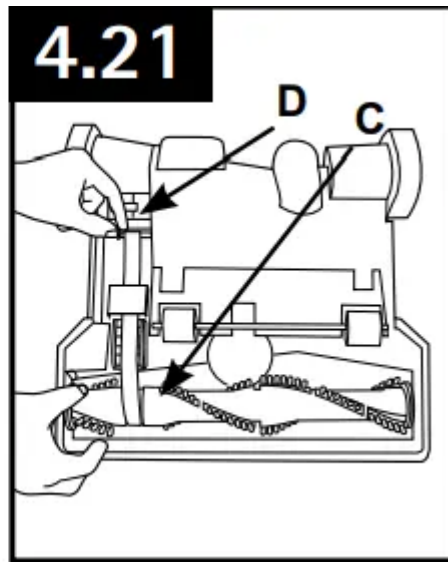
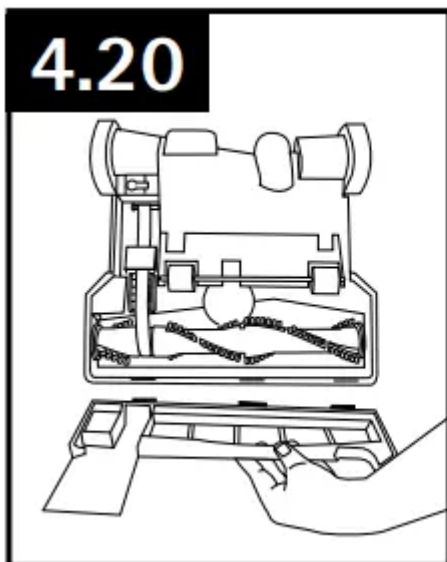
4.17 Reposition lens and secure with the two screws.

What to Buy: Headlight

This cleaner uses a 12 volt, wedge base type 912 bulb, Hoover® part No. 27313-107.

Belt





The belt is located under the bottom plate of the vacuum and should be checked from time to time to be sure it is in good condition.

When To Replace

Replace belt if it is stretched, cut or broken. To check the belt, refer to Fig. 4.17 - 4.19.

How To Replace

4.18 Turn vacuum over so bottom side is facing up. Rotate red upper latch (A) counter clockwise.

4.19 Slide red lower latch (B) to the unlock position.

4.20 Lift off bottom plate.

4.21 Remove used belt from brushroll (C) then from motor shaft (metal rod) (D) and discard.

What to Buy: Belt

Use only genuine HOOVER® belts with your vacuum.

When purchasing a new belt for models with Brushroll On/Off (Suction Only Mode), ask for Flat Belt - HOOVER® part No. 562289001.

When purchasing a new belt for models without Brushroll On/Off (Suction Only Mode), ask for Stretch Belt - HOOVER® part No. 38528058.

If desired, additional belts can be purchased at Hoover.com or 1-800-944-9200

4.22 With lettering on outside of belt, slide new belt over motor shaft (metal rod) (E).

Push other end of belt through belt guide (F) and over metal pulley*, then slip around area of brushroll without bristles (G).

With belt in place, pull and slide brushroll into nozzle making sure that the brushroll end caps are in the correct orientation.

*Models without "Suction Only Mode" do not have the metal pulley.

4.23 Reposition bottom plate, aligning tabs along front edge of nozzle guard with slots in nozzle. Rotate back into position. Slide red lower latch to Lock position, and rotate red upper latch clockwise.

TROUBLESHOOTING

If a minor problem occurs, it usually can be solved quite easily when the cause is found by using the checklist below.

Any other servicing should be done by an authorized service representative

PROBLEM	POSSIBLE CAUSE	POSSIBLE SOLUTION
Vacuum won't run	<ol style="list-style-type: none"> 1. Power cord not firmly plugged into outlet. 2. Blown fuse or tripped breaker. 3. Thermal Protector activated. 	<ol style="list-style-type: none"> 1. Plug unit in firmly 2. Check fuse or breaker in home. Replace fuse/reset breaker in home. 3. Unplug and allow vacuum to cool for 30min. (This will reset the thermal protector)
Bag Check Indicator has turned red or Vacuum won't pick up or Low suction	<ol style="list-style-type: none"> 1. Filter Bag full and/ or clogged. 2. Broken or worn belt. 3. Brushroll and/ or Hose clogged. 4. Carpet height setting is incorrect. 5. Suction Only Mode is ON. 	<ol style="list-style-type: none"> 1. Empty Filter Bag - Pg. 9 2. Replace belt - Pg.12. 3. Check Hose - Pg.11. Check Brushroll - Pg.10. 4. Set Carpet Height Adjustment to appropriate setting for carpet being cleaned - Pg.7. 5. Step on Brushroll ON/OFF Pedal to turn Suction Only Mode OFF
Dust escaping from vacuum	<ol style="list-style-type: none"> 1. Filter Bag full. 2. Filter Bag not installed correctly. 3. Hose not installed correctly. 	<ol style="list-style-type: none"> 1. Empty Filter Bag - Pg. 9 2. Review Filter Bag removal & replacement - Pg. 9 3. Review Hose installation - Pg. 7.
Headlight not working	<ol style="list-style-type: none"> 1. Bulb burnt out. 2. Loose electrical wires. 	<ol style="list-style-type: none"> 1. Replace bulb - Pg. 11. 2. Call 1-800-944-9200 for nearest authorized Hoover® dealer.
Vacuum is difficult to push or won't move forward	<ol style="list-style-type: none"> 1. Carpet height setting is incorrect. 2. Bottom plate is not installed correctly. 	<ol style="list-style-type: none"> 1. Set Carpet Height Adjustment knob to appropriate setting for carpet being cleaned - Pg. 7. 2. Refer to Figs. 4.22 - 4.24, Pg. 12.



Powered Hand Tool brushroll won't turn	<ol style="list-style-type: none"> 1. Too much pressure being applied to tool. 2. Blockage. 3. Low vacuum suction. 	<ol style="list-style-type: none"> 1. Continue using tool applying light pressure. 2. Remove blockage - Pg. 11. 3. Check items under "Vacuum won't pick or Low suction."
Smoky/burning smell detected	<ol style="list-style-type: none"> 1. Belt broken or stretched. 2. Brushroll is clogged. 	<ol style="list-style-type: none"> 1. Replace brushroll belt - Pg. 10. 2. Clear/ remove debris from brushroll - Pg. 10.

Warning

This content is compiled from multiple sources and is provided for reference purposes only. It may not be complete or fully applicable to all situations. If you are unable to resolve your issue, please contact the product manufacturer or an authorized service provider for official support.

