

**SAVE THESE INSTRUCTIONS**

**SHORT CORD INSTRUCTIONS**

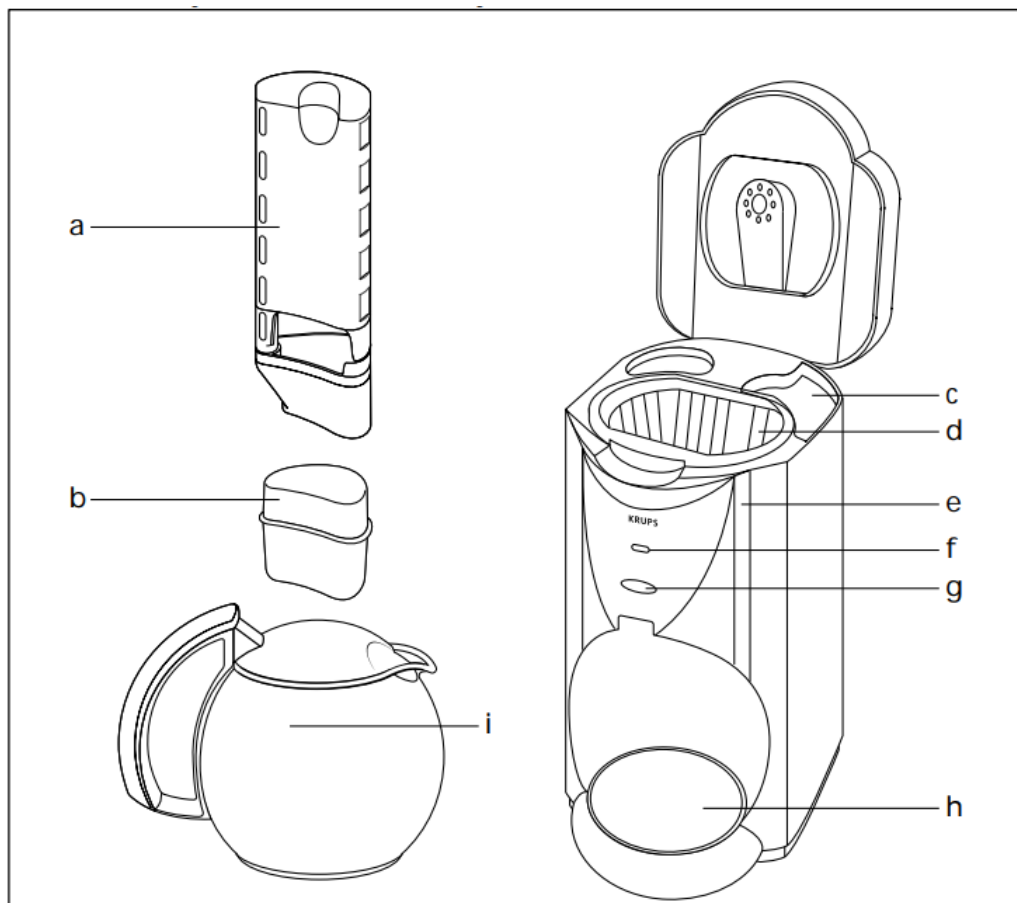
A. A short power supply cord is to be provided to reduce risks resulting from becoming entangled in or tripping over a longer cord.

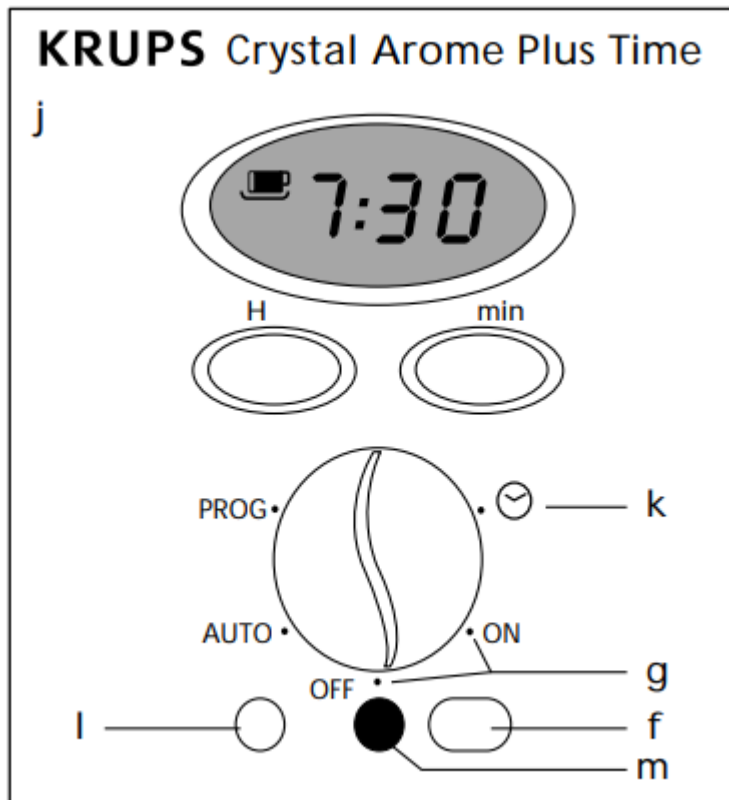
B. Extension cords are available and may be used if care is exercised in their use.

C. If an extension cord is used, the marked electrical rating of the extension cord should be at least as great as the electrical rating of the appliance, 2) the longer cord should be arranged so that it will not drape over the counter top or table top where it can be pulled on by children or tripped over.

D. This appliance has a polarized plug (one blade is wider than other). To reduce risks of electric shock, this plug is intended to fit into a polarized outlet only one way. If the plug does not fit fully into the outlet, reverse the plug. If it still does not fit, contact a qualified electrician. Do not attempt to modify the plug in any way.

**Description**





- a. Duo Filter holder
- b. Anti-chlorine / Anti-scale Duo Filter
- c. Water tank
- d. Removable filter holder
- e. Water level indicator
- f. Duo Filter replacement indicator (according to model)
- g. On/Off switch (according to model)
- h. Warming plate
- i. Glass carafe
- j. Control panel
- k. Time setting
- l. On/Off indicator
- m. Duo Filter replacement reset button

### Advantages of the Crystal Arome Plus/Crystal Arome Plus Time

- The “ Duo Filter ”: a double action anti chlorine and anti-scale filter

The elements which go into the “ Duo Filter ” (active vegetable based carbon and anti-scale resin) comply with current food safety legislation. Its silver salt processing acts as an anti-bacteria agent, for consumer safety. This filter has been tested successfully by recognized laboratories.

The vegetable-based and non-pollutive filter can be disposed of as domestic waste. The anti-chlorine action of the filter will give the coffee more delicate flavor. Tap-water often contains amounts of chlorine which will hinder the flavor. The “ Duo Filter ” eliminates the chlorine so that the smell and taste of the coffee are more perceptible.

The anti-scale filter will prolong the working life of your coffee-machine and will result in less frequent need to decalcify.

- **Hermetic Coffee-carafe**

The Hermetic coffee-carafe has a lid without a central hole, and an insulating grid on the pouring-lip. This design considerably reduces heat loss and preserves all the flavor of the coffee. It also prevents the entrance of air from the outside, which oxidizes the coffee and evaporates the aroma.

This coffee-carafe can be used in a micro wave oven.

- **”Stop ‘n Serve” Feature**

Lets you pour a cup or two while brewing. The automatic filter seal will allow you to remove the carafe for 20 seconds without dripping coffee onto the warming plate.

- **24 Hour Programmable Timer (model #467)**


Lets you program the coffee maker for convenient “wake-up” coffee.

- **Programmable Auto Shut-Off (model #467)**

Lets coffee stay hot from 1-5 hours before turning itself off.

## Before first use

### Setting the time (model #467)

- Plug in the KRUPS “Crystal Arome Plus Time”. Make sure the control panel (j) is in the “off” position.
- The LCD display will be flashing intermittently. This is your signal to set the digital clock.
- Turn the selector switch to position  (k). Set the hours and minutes by pressing the “H” and “min” buttons respectively. The time is now set.

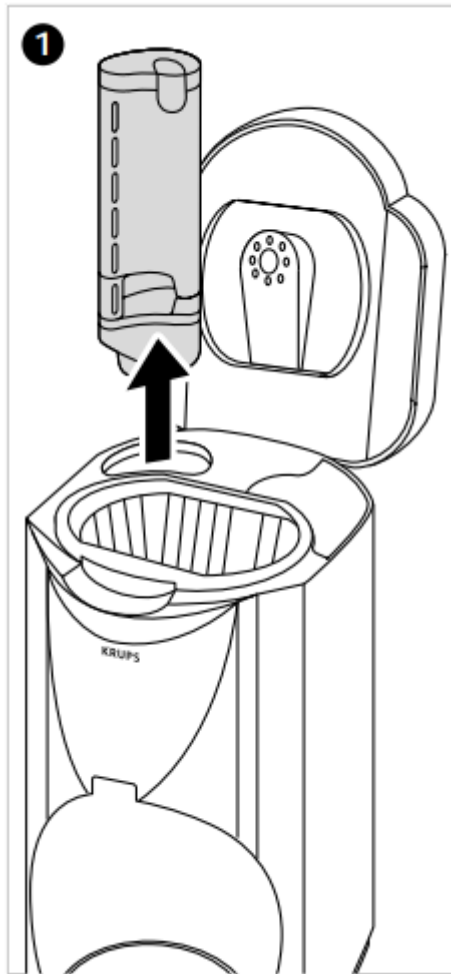
### Running with water only

- Before making your first pot of delicious coffee, we recommend operating the coffee maker once or twice with water only, without ground coffee or the Duo Filter to remove any possible dust.
- Be sure that the water container is empty.

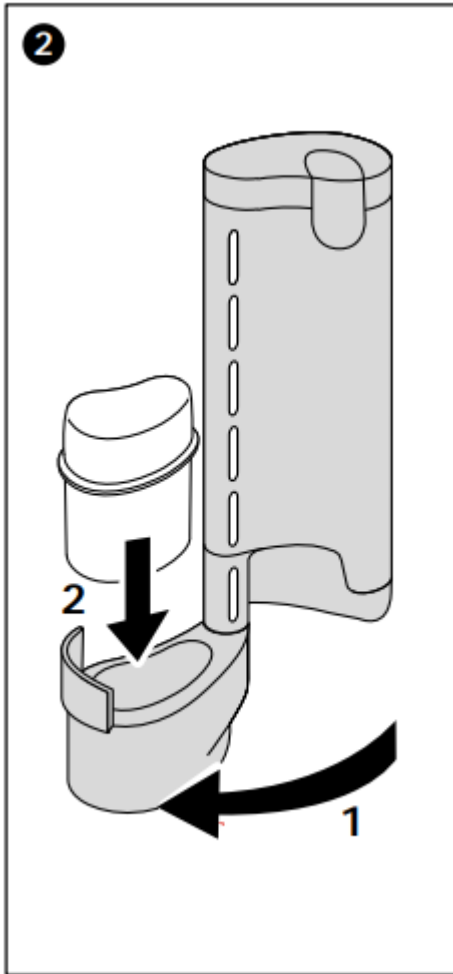
- To remove the lid of the glass carafe, pick it up from the back and lift.
- To replace the lid, put the front in place first and then snap the back down into place.
- Always place the glass carafe securely in place with the handle facing out and centered.

### Inserting the “Duo Filter”

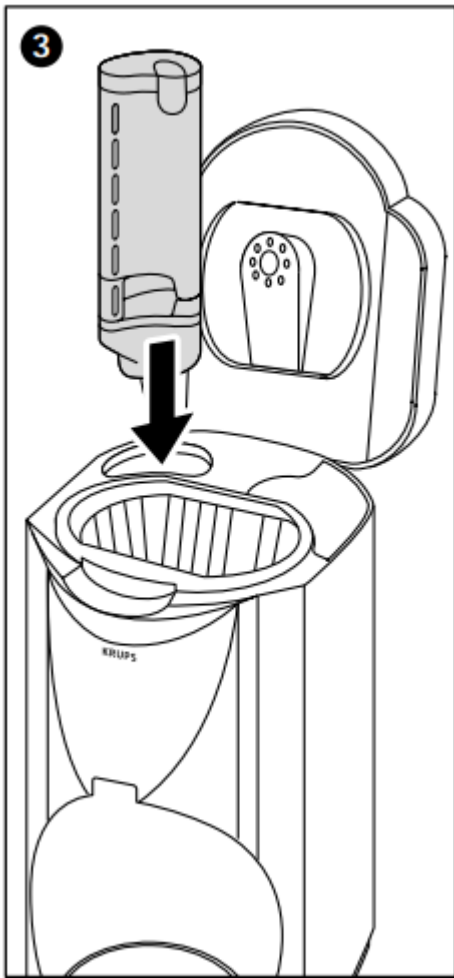
- Remove the DuoFilter (b) from its plastic bag. Rinse in tap water.
- Open the hinged lid of the coffee maker and remove the DuoFilter holder (a) (see Figure 1).



- Pivot the lower part of the holder and insert the DuoFilter into its housing (see Figure 2)



- Replace the holder in the coffee maker and your machine is now ready for use (see Figure 3).

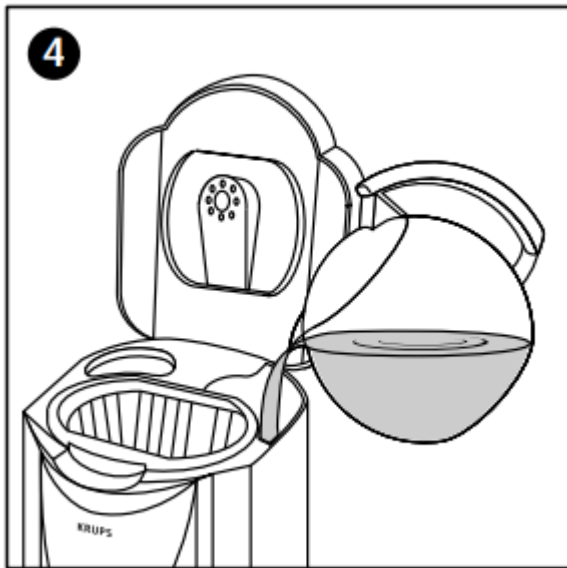


## Preparing coffee

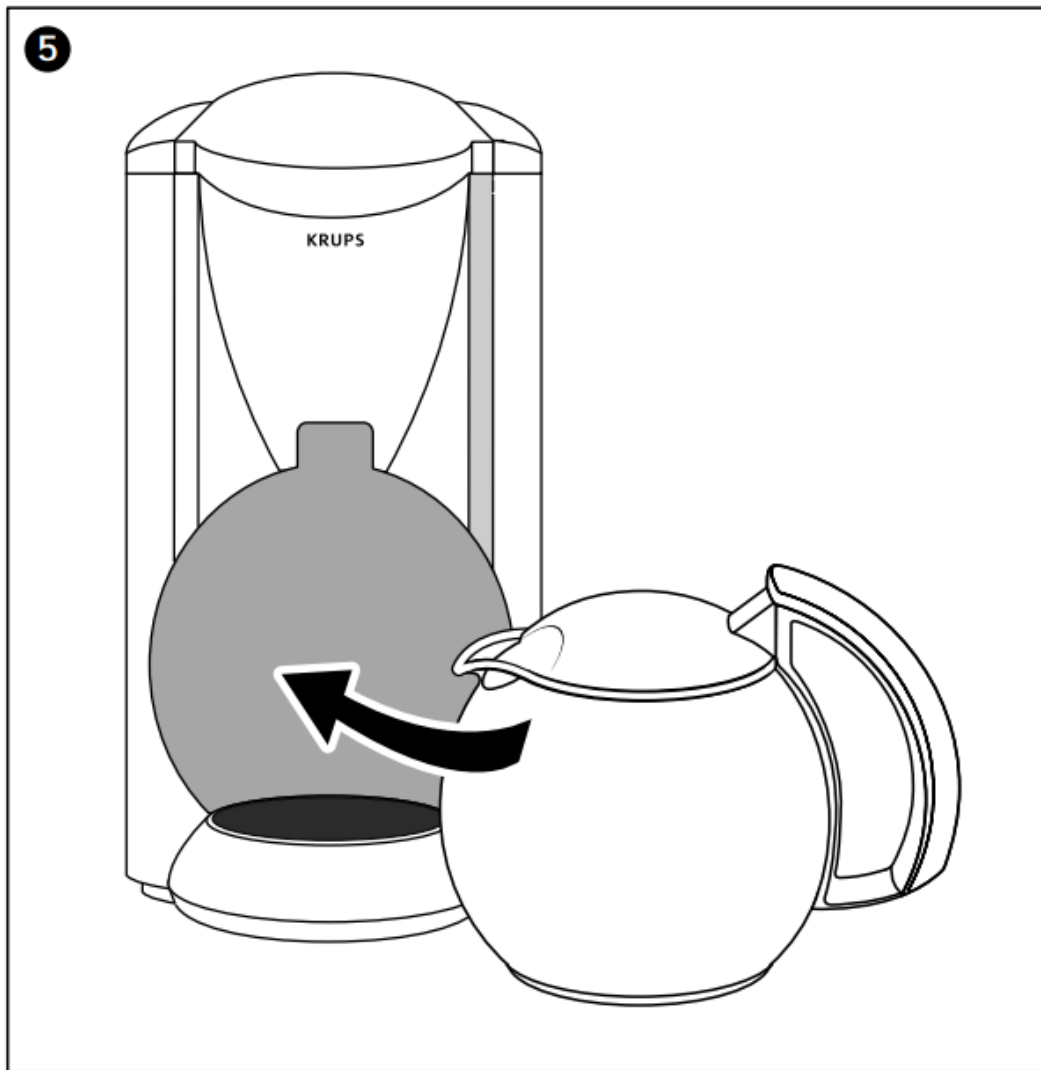
### Filling the water chamber

- Open the hinged lid. Using the glass carafe, pour in the desired quantity of cold water. (See figure 4). The water level indicator shows how much water you are filling into the

container.



- The amount of freshly brewed coffee delivered after the brewing process will always be slightly less than the amount put into the water container. This is due to the minimum absorption of the water by the ground coffee. Therefore, it is recommended that you add a little extra water at the beginning so that you will have the number of cups you desire.
- Replace the glass carafe on the warming plate with the lid in position. (See figure 5).



### Putting in the ground coffee

- With the hinged lid opened, insert a size 4 paper filter (KRUPS #983) or Gold Tone Filter (KRUPS #026) into the the filter holder. You can purchase KRUPS size 4 paper filters (#983) or KRUPS Crystal Arome Gold Tone Filter (#026) at your local KRUPS retailer or by calling the KRUPS Consumer Service Department at 1-800-526-5377, 24 hours a day, 7 days a week.
- We suggest using one level KRUPS measuring scoop of ground coffee for each cup of robust coffee. After using your KRUPS coffee maker several times, you can adjust the measure to suit your own taste.
- Close the hinged lid, making sure that the filter holder is securely in place.
- Turn the machine on (g). An indicator light will illuminate.

### ”Stop ‘n Serve” feature

The “Stop’ n Serve” feature is KRUPS answer to the impatient coffee drinker’s clamor for “a quick cup of coffee!” This device automatically stops the flow of brewed coffee through the filter cone if

the glass carafe is removed from the warming plate during the brewing cycle. You have about 20 seconds between the removal of the carafe and its being reinserted to pour one or two cups of coffee. The “Stop’n Serve” device closes off the filter cone so effectively that there is virtually no coffee-drip onto the warming plate. Once the carafe is replaced, the brewing cycle and the flow of coffee into the carafe are resumed.





If coffee does drip onto the warming plate after removal of the carafe, it is usually an indication that too much ground coffee has been placed into the paper filter. This causes the water that jets into the filter cone to overflow between the paper filter and the sides of the filter cone. The overflow carries coffee grounds that interfere with the snapshot action of the filter holder, thus allowing brewed coffee to continue to drip through.

**If this blockage and subsequent dripping do occur, replace the glass carafe immediately and allow the full brewing cycle to run its course, Do not remove the filter until the brewing cycle is completed.**

#### **Preparing “wake-Up” coffee (model #467)**

This feature enables you to enjoy freshly brewed coffee at any pre-selected time within a 24-hour period.

- First set the digital clock (see “Setting the time”)
- Turn the selector switch to the “**Prog**” Setting. The symbol  will flash intermittently in the display area. Set the hour and minutes in which you would like the brewing process to commence by pressing the “H” and “min” buttons respectively. “Wake Up” time is now set.
- Fill the water chamber to the desired number of cups. Place the carafe back on the warming plate. Put in ground coffee. Turn the selector switch to the “Auto” setting. The symbol  will remain constant in the display, indicating that the coffee maker has been programmed. At the pre programmed time, the indicator light will illuminate, indicating that the brewing process has begun.

**NOTE:** If the selector switch is left in the “**Auto**” position, the coffee maker will turn itself on everyday at the pre-programmed time. If you do not wish for this to occur, turn the coffee maker to the “Off” position after each use.

#### **Programming auto shut-off (model #467)**

The programmable auto shut-off feature allows you to keep coffee hot for up to 5 hours, and to shut off automatically, to suit your needs. The auto shut-off will initially be set to shut-off after 1 hour, unless otherwise programmed. Auto shut-off will be effective not only when you are manually preparing coffee, but also when used with the wake-up timer.

When you first plug in the coffee maker, the auto shut-off will be programmed for 1 hour. To adjust the keep warm time:

- Turn the switch to the “Off” position.
- Press the “min” button. The blinking cup will appear in the display and auto shut off will be set at 1 hour.
- You can increase the keep warm time in increments of 1 hour, up to 5 hours by keeping the “min” button pressed and additionally pressing the “H” button.
- Once you have programmed the keep warm time, it will be stored in memory until manually changed.
- If no keep warm time is set, the coffee maker will automatically shut itself off after 1 hour.

## Maintenance

### Replacing the “ Duo Filter ”

- For the non-time model (#466), the Duo Filter replacement indicator (f) will turn red when it is time to change the filter. The indicator light will remain red for five uses and then will return to white automatically.
- For the timer model (#467), the Duo Filter replacement indicator (f) will flash. After replacing the Duo Filter, press the reset button (m) with a pointed item.
- To replace the Duo Filter, see “Inserting the Duo Filter” in the “Before First Use” section.

### IMPORTANT:

- It is recommended to replace the Duo Filter at least once every 3 months. You can purchase the DuoFilter (Model #472) at your local KRUPS retailer or by calling KRUPS Consumer Service Department at 1-800- 526-5377, 24 hours a day, 7 days a week.
- If the machine will not be in use for an extended period of time, rinse the Duo Filter with running water and clean the coffee maker.
- Only use drinking water with the DuoFilter.

## Decalcifying

### When to decalcify:

- Minerals found in water can clog the coffee maker or reduce its speed. You will know when such a cleaning is necessary by an obvious slowdown in the brewing time. This extended time indicates that there is a calcium deposit in your coffee maker.
- Thanks to the anti-scale action of the Duo Filter you will generally only need to descale every two to four months depending on the hardness level of your water.

### **To decalcify:**

- Fill the carafe one quarter full of vinegar, then add cold tap water to the top. Pour the water/vinegar mixture into the reservoir opening.
- Place the empty carafe on the warming plate and turn on the machine. After the water/vinegar mixture has been cycled through, turn off the machine.
- Rinse by cycling two or three more carafes of plain cold tap water.
- Do not pour any liquid other than cold tap water with vinegar into water chamber when cleaning.

**Attention:** Do not leave solution within reach of children.

## **Cleaning**

- Always unplug the coffee maker before cleaning.
- Remove the filter holder and clean the filter holder, the carafe and carafe lid in a solution of hot water and mild liquid soap. These parts can also be placed in the upper level of your dishwasher for safe effective cleaning. • Never use scouring agents.
- Never immerse the appliance itself in water or any other liquid. To clean, simply wipe off with a soft, damp cloth.
- Never use a cloth to clean the inside of the water chamber, as this might leave fuzzy deposits in the chamber. Just rinse with cold water, periodically.

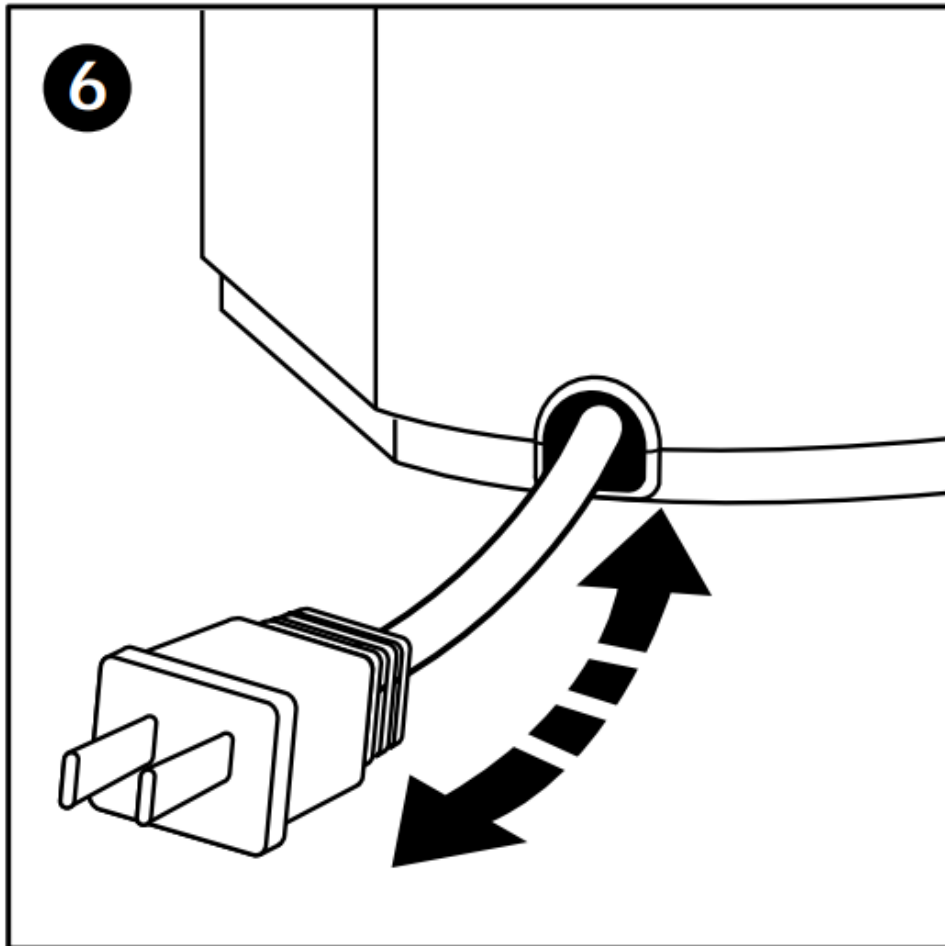
## **Accessories**

- Duo Filter 2 Pack -Model # 472
- Gold Tone Filter- Model # 026
- Paper Filter- Model # 983
- Glass Carafe and Lid- Model # 589

You can purchase KRUPS accessories at your local KRUPS retailer or by calling KRUPS Consumer Service Department at 1-800-526- 5377, 24 hours a day, 7 days a week.

## **Hidden cord storage**

- The power cord can be tailored to the length required by utilizing the hidden cord storage located behind the coffeemaker (See figure 6).



**For best results .....**

..... always use fresh, cold water (warm water might be stale and have mineral deposits which would impair the flavor of the coffee).

..... we recommend that you grind your own beans. Freshly ground beans deliver more aroma and flavor. Use one KRUPS measuring scoop of beans per cup.

..... serve coffee immediately after brewing. never reheat coffee.

**Disposal**

- The packaging comprises exclusively environmentally-friendly materials which should be disposed of according to the local recycling arrangements.
- Disposal methods for the appliance itself can be found by inquiry at the appropriate department of the local authority.

**Limited One Year Warranty**

Your KRUPS #466 or #467 is covered by the following warranty :



If from date of purchase within one year this KRUPS product fails to function because of defects in materials or workmanship, KRUPS North America will, at its option, repair or replace the unit with our charge, provided the owner has a proof of date of purchase. This warranty will be void if malfunction was caused by damage to the product by accident, misuse, use on frequency or voltage other than marked on the product and/or described in the instructions, abuse including tampering, damage in transit, or use for commercial purposes. This warranty gives you specific legal rights, and you may also have other rights which may vary from state to state.

**Warning**

This content is compiled from multiple sources and is provided for reference purposes only. It may not be complete or fully applicable to all situations. If you are unable to resolve your issue, please contact the product manufacturer or an authorized service provider for official support.