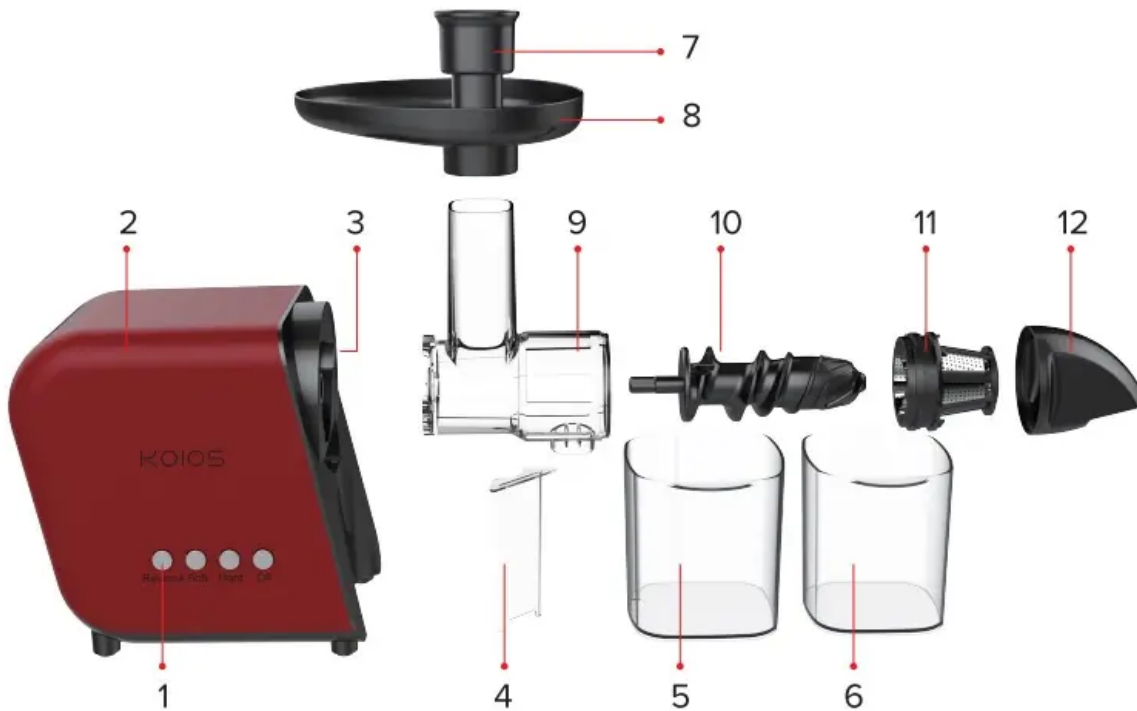


SAVE THESE INSTRUCTIONS

Know your slow juicer



- 1. Operation button
- 2. Housing
- 3. Locking clip
- 4. Shovel
- 5. Juice Container
- 6. Pulp Container

- 7. Pusher
- 8. Hopper
- 9. Drum
- 10. Auger
- 11. Juicing Sieve
- 12. Blank End Cap

ASSEMBLY

1. Assemble the Drum (9) to the Locking Clip (3) and twist anti-clock wise slightly to lock and you can hear "Click". like figure 1

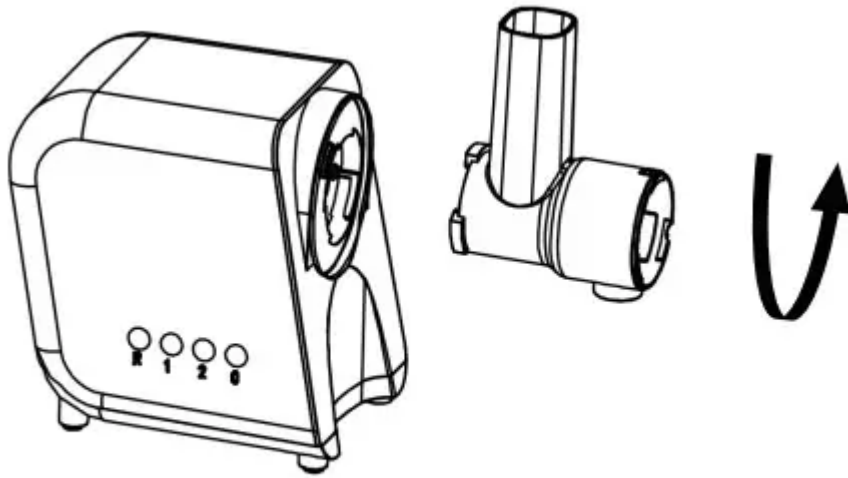


Figure 1

2. Put the Auger (10) into Drum (9). insert it into the hole on the unit as figure 2.

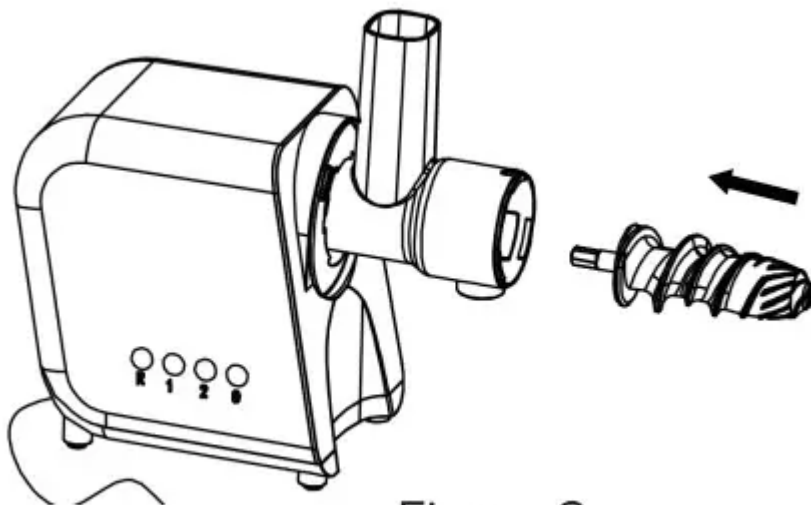


Figure 2

3. Place the Juicing Screen on Auger as figure 3.

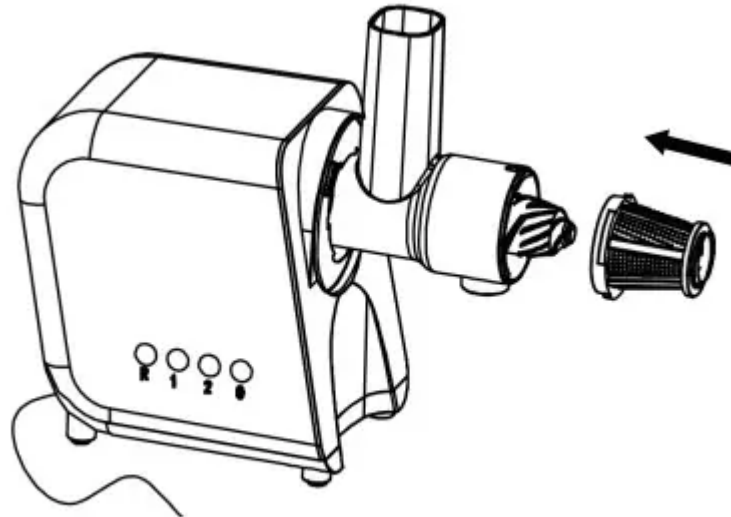


Figure 3

4. Align the arrow pointing at Blank End Cap (12) with the arrow at Drum (9) and then twist anticlockwise slightly to export face to down.

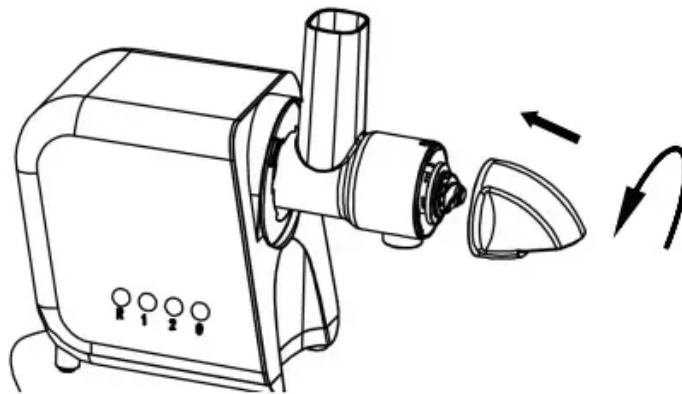


Figure 4



5. Place Pulp Container under the Pulp Ejector. and Juice Container under the Juice Ejector.

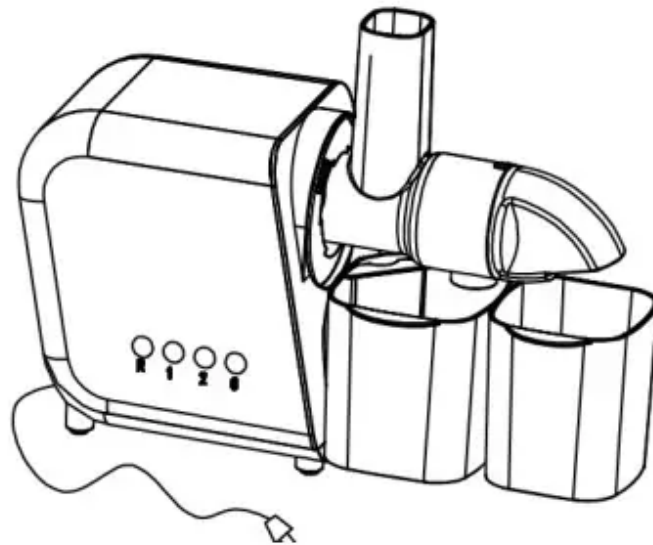


Figure 5

6. Insert the hopper (8) on the top of Drum (9) as figure 6.

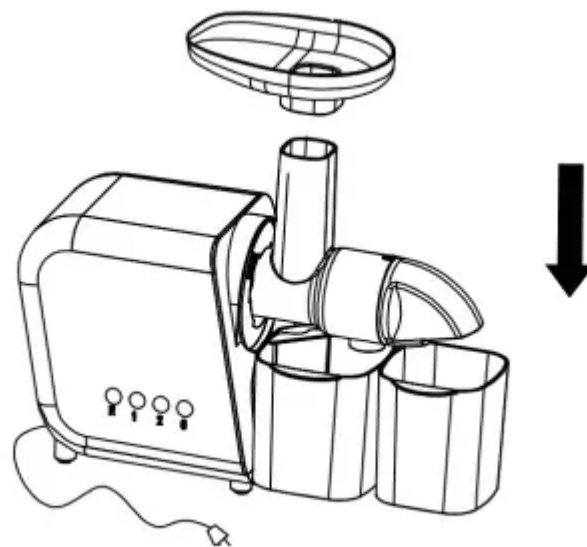


Figure 6

7. Place the Pusher (7) into the hole of Hopper (8).

USING THE SLOW JUICER

1. Once all parts are securely in place. connect the power cord to an approved power Source.

2. Place Pulp Container under the Pulp Ejector. and Juice Container under the Juice Ejector.
3. The Slow Juicer has 4 settings
Reverse. This moves the Auger in the opposite direction
Soft. Suitable for soft food like grape. tomato and others.
Hard. Suitable for hard food like carrot. apple. pear and others.
Off. When Rotate is not workable. please press Off to turn the unit off.
Note: If you are not sure the food is soft or hard. then choose program "Hard"
4. Before placing food in the slow juicer. make sure all foods have been thoroughly washed. if food has to be peeled. there is no need to wash. Also make sure to cut all foods to an appropriate size so it easily fits into the Hopper. we recommend cutting food into slim 3-inch pieces. *Please make sure to remove any hard seeds or pits. such as cherry or plum pits. as it will not process in the Slow Juicer and can damage the Auger.
5. When placing any food in the Slow Juicer. the Auger will automatically pull in the food and begin juicing. DO NOT push. force. or overstuff the unit. The Pusher provided is only to use when food obstructs the inside of the Hopper.
6. It is best to insert all food at a slow pace. allowing all pulp to be extracted from the fruit or vegetable completely.
7. Reminder: turn off the unit when juicing is complete.

Do not run the unit without any food inside the unit as this could overheat the motor.

SLOW JUICING TIPS

Please read the instruction carefully and follow the below juicing suggestion for best. as a slow juicer has different operating instructions than that of a traditional juicer.

1. Carefully drop food into the Hopper. The Pusher provided is only for use if any food obstructs the inside of the Hopper. Do not overstuff. shove or force the food down.
2. Cut food into slim 3-inch pieces for best juicing. For best. insert foods slowly to allow pulp to be extracted. do not over stuff or rush the juicing process.
3. Do not put any frozen fruit. vegetables or ice into the unit.
4. Combine leafy greens with a variety of fruit for the best.
5. When juicing foods like carrots or beets. it will be necessary to combine them with other fruits and vegetables with a higher water content to increase the amount of juice yielded.
6. When juicing foods with a lot of seeds like tomatoes and cucumbers. the Juicing Screen might clog. Pour water through the Hopper to unclog it before continuing to juice.

CLEANING

1. Switch the unit off. and disconnect from power source.
2. Get the Hopper out of the unit.
3. Twist the Drum counterclockwise to the unlock position.
4. Disassemble all the unit.
5. By using the Cleaning Brush. thoroughly clean each of the disassembled parts using warm soapy water.

Please Note:

- Don't use any abrasive cloths or liquids.
 - Do not rinse the Base or submerge it in water.
 - Dry all attachments before reusing.
6. Hand washing is recommended for all components of the upper unit. Please do not place any of the parts in the dishwasher.
 7. Remember to thoroughly clean the small fins on the Juicing screen as small food particles might get stuck on them.

FOR TOUGH STAINS

Because there are many powerful staining properties of the carotenoids that are found in many vegetables. especially carrots. we suggest using ONE of the following cleaning procedures:

1. Soak in mild soapy water.
2. Equal parts warm water to cider vinegar.

OTHER CLEANING TIPS

- Never use strong household cleaners. ammonia or abrasives while cleaning the unit.
- Cleaning the unit immediately after each use will also help to reduce stains on the Bowl or upper parts.

TROUBLESHOOTING

Please troubleshoot using the details below.

The Appliance Does Not Work

- Make sure the power cord is plugged in correctly.

- Make sure the drum is assembled correctly. If the drum is not locked into place, the appliance will not operate.
- Make sure the appliance is assembled according to the instructions in this manual. Refer to the instructions.
- If the appliance still does not work, please contact your after sale service for additional support.

The drum Does Not Open

- If there is a lot of pulp inside the drum, press [2] to release the excess pulp.
- Check the appliance for any foreign substance or solid objects including seeds.
- Press [R] button to push up stuck ingredients.
- Press [R] button to push up stuck ingredients.
- Do not attempt to open by force. If the drum still does not open, please contact your local after sale service for additional support.

The Appliance Stops During Normal Operation

- Check for large pieces of food stuck in the appliance.
- Refer to the section “If the Auger Stops Working” and follow the guideline for the [R] button.
- If the appliance still does not work, please contact your local after Sale Service for additional support.

Fine Lines or Scratch Marks around the Auger

- This is normal. Do not be concerned. These are molding marks resulting from the normal manufacturing process.

Juice Leaks Over the Base

- Check for an excessive amount of ingredients in the hopper and/or chute.
- If you try to juice a large amount of food compared to the hopper, the packing will be slightly pushed away. Juice may leak out of the gap.
- Do not force too much food into the juicer. Push food gradually for extraction
- Check to make sure the juice flap is closed.

Juicer Shakes when In-Use

- This is normal as the auger rotates. It is not a malfunction. Hard ingredients such as carrots, potato, radish, beets, etc. may cause shaking more so than soft ingredients.

Warning

This content is compiled from multiple sources and is provided for reference purposes only. It may not be complete or fully applicable to all situations. If you are unable to resolve your issue, please contact the product manufacturer or an authorized service provider for official support.

Document generated by [ManualsFile](#)