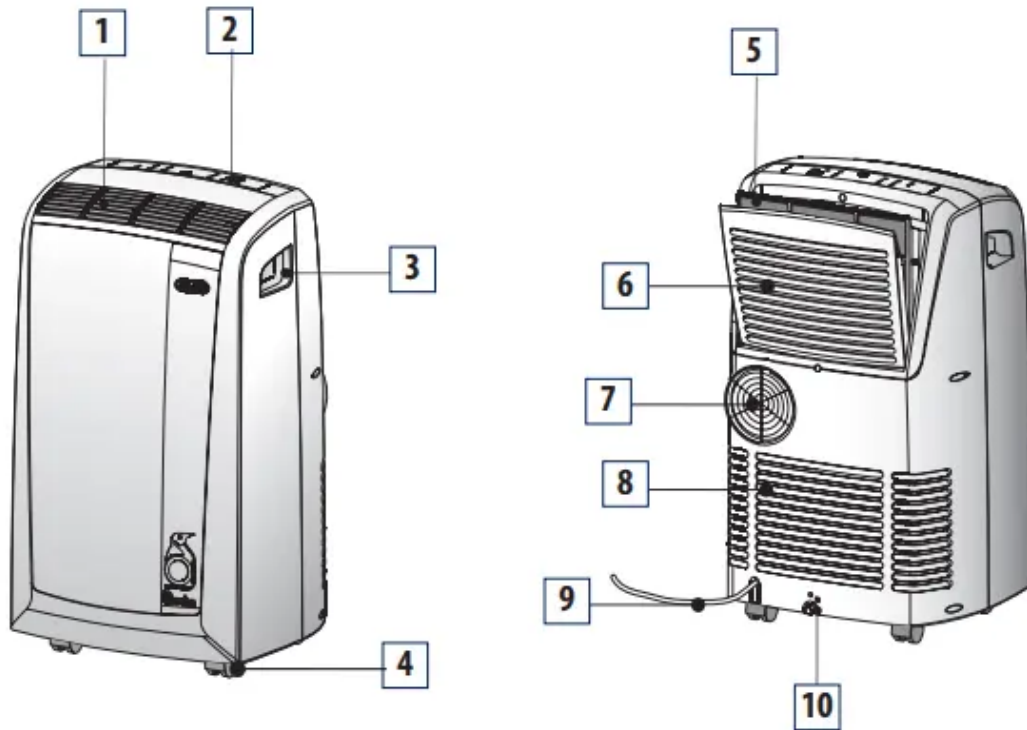
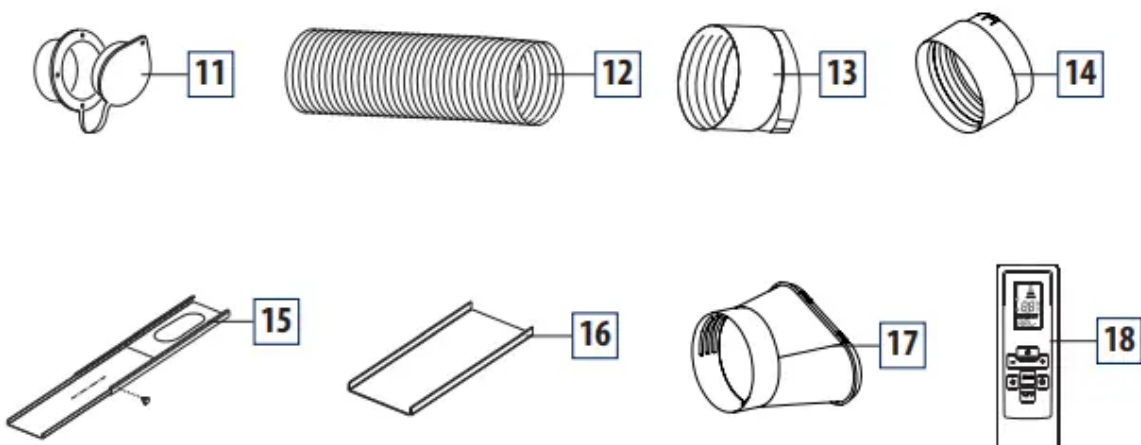


# INSTRUCTIONS FOR USE Portable Air Conditioner

## Description



## Accessories



### DESCRIPTION

1 Air outlet grille




- 2 Control panel
- 3 Handles
- 4 Castors
- 5 Filter
- 6 Air intake grille
- 7 Air exhaust hose housing
- 8 Air intake grille
- 9 Power cable
- 10 Drainage hose with 2 caps
- 11 Wall flange with cap
- 12 Air exhaust hose
- 13 Hose adaptor
- 14 Accessory for wall mounting
- 15 Window bracket
- 16 Additional window bracket
- 17 Window outlet
- 18 Remote control

## Preparing for use

### ELECTRICAL CONNECTIONS

- Before plugging the appliance into the electrical receptacle, check that:
  - The outlet's power supply corresponds to the value indicated on the rating label on the back of the appliance;
  - The outlet and electrical circuit are adequate for the appliance;
  -

The outlet is a 3-hole grounded outlet . If this is not the case, you must choose another outlet.

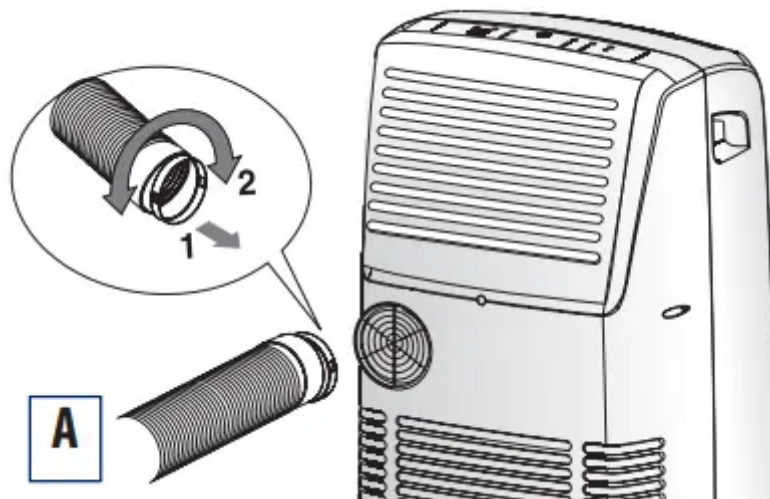
- Failure to follow these important safety instructions absolves the manufacturer of all liability.
- The power cable must be replaced by a qualified professional only.

- The instructions below will enable you to prepare your air conditioner for operation as efficiently as possible. Before use, make sure the air intake and outlet grilles are unobstructed.
- NOTE: This appliance is provided with an auto-evaporation feature for condensate removal during cooling and dehumidifying modes.

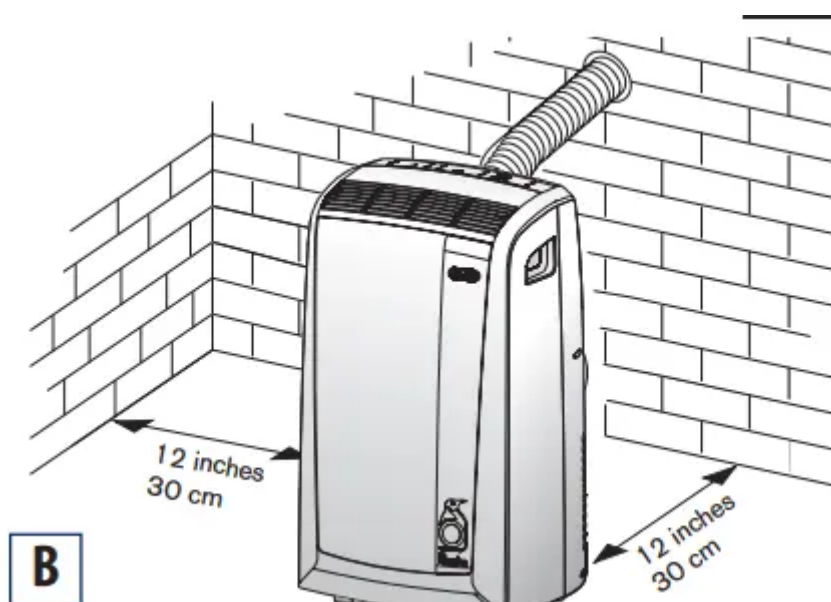
- **SEMI-PERMANENT INSTALLATION**

Just a few simple steps and your comfort is ensured with your air conditioner:

- Screw the hose adaptor 13 to the hose's end 12.
- Fit the air exhaust hose in the housing at the back of the appliance. Insert it as shown in figure A.



If required, your appliance can also be installed semipermanently (Fig. B).

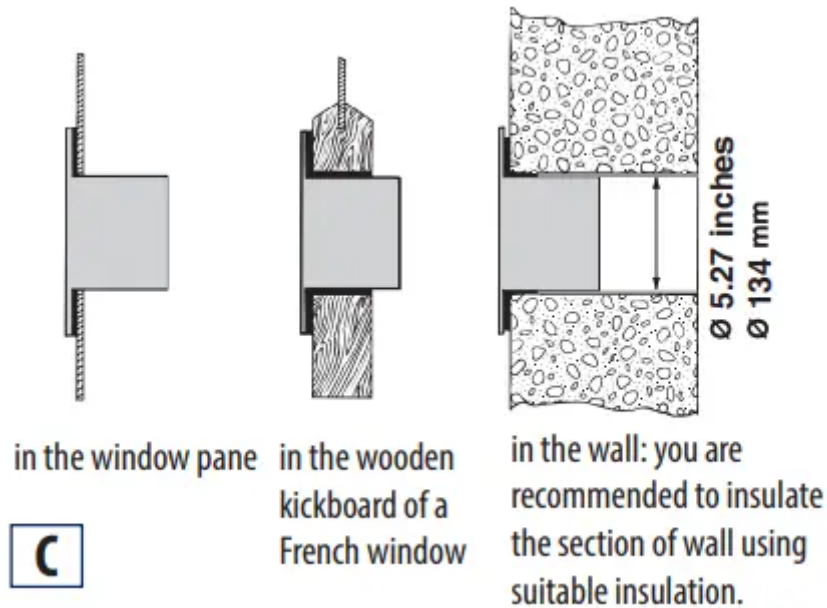


Proceed as follows:

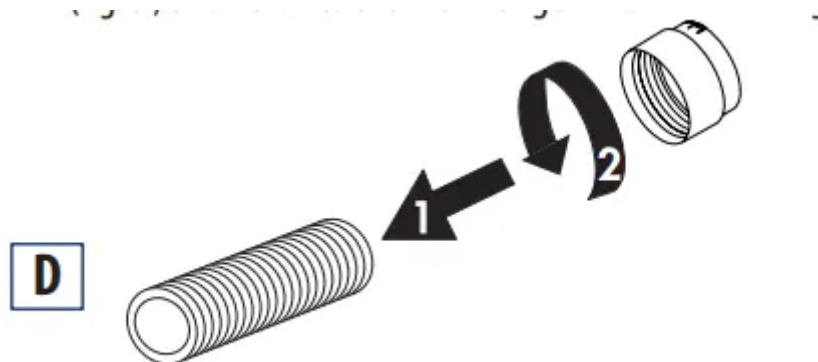
- Drill a hole (Ø134mm / 5.27 in.) in an outside wall or through a window pane. Respect the height and dimensions of the hole given in figures B and C

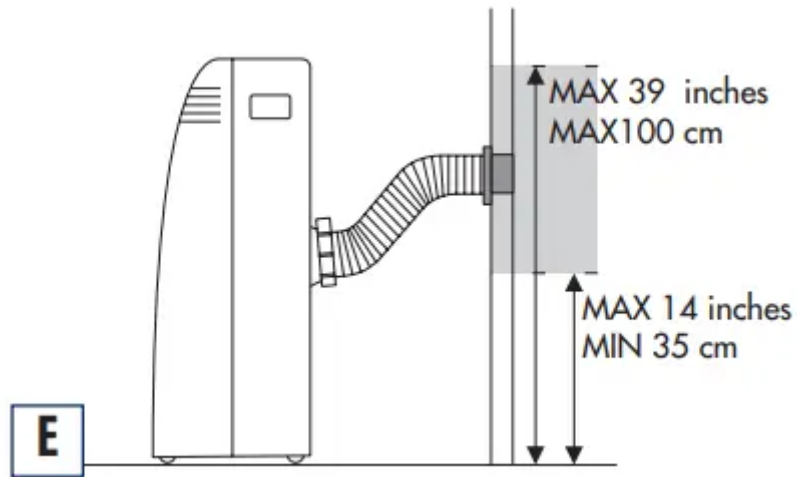
NOTE: As special tools are required for installation, we suggest you have the appliance installed by specialized personnel.

**KEEP THE AIR HOSES AS SHORT AND FREE OF CURVES AS POSSIBLE TO AVOID CONSTRICTIONS.**



- Fit the wall flange 11 into the hole.
- Screw the hose adaptor 13 to the hose's end 12.
- Fit the air exhaust hose in the housing at the back of the appliance as shown in figure A.
- Screw the wall mounting accessory 14 into the hose 12 (fig. D) and fit it into the wall flange 11 as shown in fig. E.

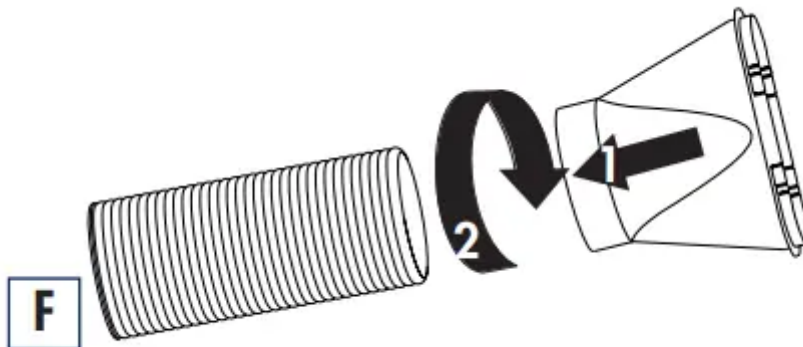




- When the hose 12 is not fitted, the hole can be closed with the flange cap 11 .
- NOTE: When installing the air conditioner semi-permanently, you should leave a door slightly open (as little as 1/2" (1 cm)) to guarantee correct ventilation.

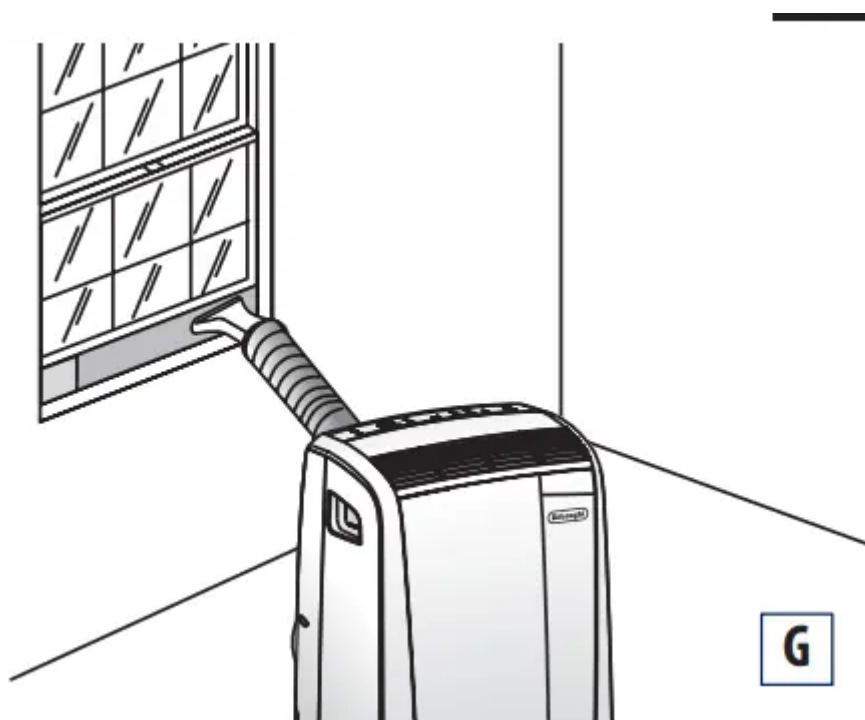
## AIR-CONDITIONING WITHOUT INSTALLATION

- Screw the window outlet 17 to the other end of the exhaust hose (see fig. F).



### Sash window

- Open the window.
- Place the window bracket 15 in the window, extending it to fit the width of the window (fig. G).
- Place the air conditioner near the window. Insert the assembled exhaust hose 12 into the window bracket hole 15.
- Make sure the air exhaust hose is unobstructed.
- If you have a very large window, in order to cover your window aperture, use the additional window bracket without holes extending it to the desired dimension, then fix the bracket by using the locking pin provided. When extracting the window bracket and joining the two pieces pay attention you do not cover the hole



**Other set-up methods:**

- Thanks to the locking pin, it's possible to use the window bracket also for sliding windows. Position the hole of the bracket so to allow a correct installation of the exhaust hose (see figure H).



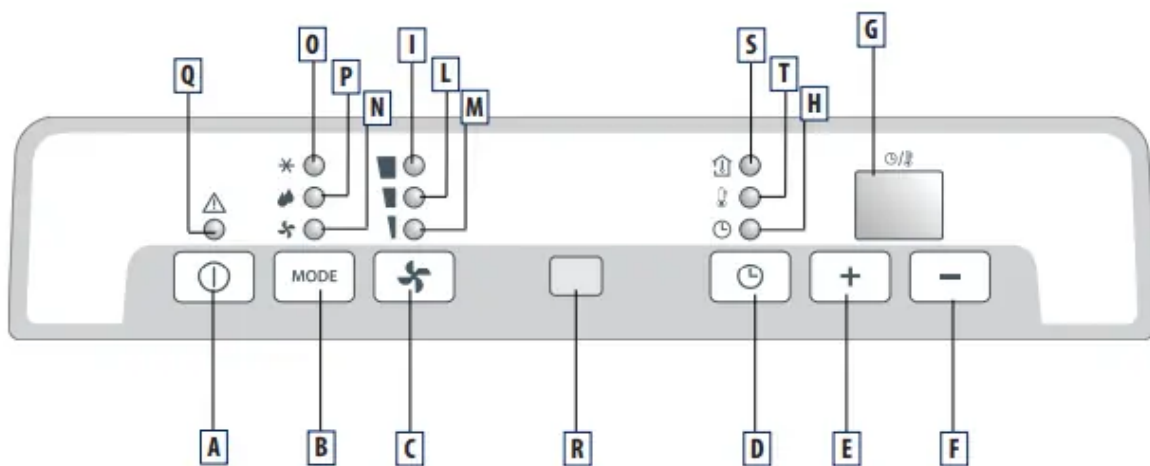
- Keep the air hoses as short and free of curves as possible to avoid constrictions.

**French window**

- After having screwed the window outlet 17 into the air exhaust hose 12, open the French window slightly and position the window outlet 17 as shown in figure I.



## Control panel



### DESCRIPTION OF THE CONTROL PANEL

A ON/OFF button

B MODE selection button Air conditioning, dehumidifying, fan.

C Fan speed selection button (MAX/MED/MIN)

D Timer button

E Increase temperature/programmed operation time button

F Decrease temperature/programmed operation time button

G Display Displays the temperature values and the programmed operating time

H Timer in operation indicator light

I/L/M Fan speed lights

N Fan mode light

O Air-conditioning mode light


P Dehumidifying mode light

Q Alarm light

R Remote control receiver

S Light: the inner temperature is shown on the display

T Light: the outdoor temperature is shown on the display

Never turn the air conditioner off by unplugging from the outlet. Always press the  button, then wait for a few minutes before unplugging. This allows the appliance to perform a cycle of checks to verify operation.

## Operation




### TURNING THE APPLIANCE ON

- Before plugging the appliance check the caps on the back of the unit are correctly inserted and screwed on the drainage hose 10.
- Plug into the electrical receptacle. Two lines appear on the display indicating that the appliance is in stand-by. Press the ON/OFF button (A). When turned on, the air conditioner starts operating in the same mode as when it was turned off. Press the MODE button (B) until the light corresponding to the desired mode lights up:
  - Light (O): air-conditioning mode
  - Light (P): dehumidifying mode
  - Light (N): fan mode

### AIR CONDITIONING MODE

- Ideal for hot muggy weather when you need to cool and dehumidify the room.
- The display shows the inner temperature: the light (S) turns on. To modify the set temperature, push the (E) or (F) button to reach the desired temperature. The (T) light turns on and the (S) light turns off.
- To change
  - from °F to °C or vice versa, press for few seconds both button E and F.
- After 15 seconds, the inner temperature is shown on the display. The (S) light turns on. You can adjust the temperature only in air conditioning mode. Then select the fan speed

by pressing the FAN button (C) until the light corresponding to the required fan speed lights up:

- **MAX:**  the air conditioner operates at maximum to achieve the target temperature as rapidly as possible
- **MED:**  reduces noise levels while maintaining a comfortable temperature
- **MIN:**  for silent operation

- The most suitable indoor temperature for the room during the summer varies from 75°F to 81°F (24 to 27°C). You are recommended, however, not to set a temperature much below the outdoor temperature.

## FAN MODE

- Adjust fan speed by pressing the FAN button (C) as described for the air-conditioning mode.
- Remember that the higher the speed, the more air is filtered. If you select “MIN” speed, less air is filtered but the appliance is also less noisy

## DEHUMIDIFYING MODE

- Ideal for reducing the humidity in a room (spring or autumn, damp rooms, rainy spells, etc). When the dehumidifying mode is selected, the light (P) comes on. In this mode, with room temperature above 77 degree F (25°C), the fan speed is adjustable. If the temperature is below, fan speed is selected automatically by the appliance and cannot be set manually. In dehumidifying mode, the appliance MUST be set-up in the same way as for air conditioning, with the air exhaust hose 12 attached.

## PROGRAMMING THE TIMER

The timer can be used to delay appliance start up or shutdown. This avoids wasting electricity by optimising operating periods.

### How to programme delayed start up

- Plug the appliance into an electrical receptacle and press the ON/OFF button (A), then select the required operating mode and other settings (temperature, fan speed, etc).
- Press the ON/OFF button (A) again to place the appliance in standby mode.
- Press the timer button (D). The timer light “H” flashes.

- Use the + (E) or - (F) buttons to set the number of hours delay before the appliance comes on. The time increases or decreases in steps of one hour.

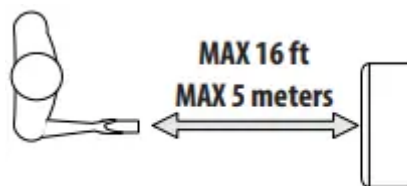
The indicator light (H) flashes until the appliance starts up. You can set the appliance to come on with a delay of up to 12 hours. To cancel the timer programme, press the timer button (D) again. Light (H) stops flashing

### How to programme delayed shut down

- Delayed shutdown can be programmed in any operating mode (air conditioning/fan/dehumidifying).
- Press the timer button (D). The timer light “H” flashes.
- Use the + (E) or - (F) buttons to set the number of hours delay before the appliance goes off.

The time increases or decreases in steps of one hour. The light (H) flashes until the appliance turns off as programmed. At the set time, the air conditioner shuts down and remains in standby. To cancel the timer programme, press the timer button (D) again. Light (H) stops flashing.

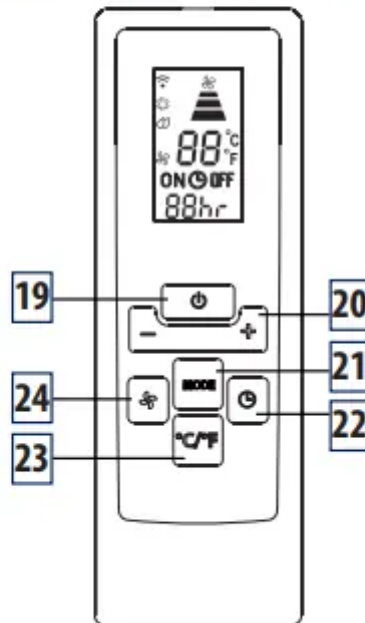
### USING THE REMOTE CONTROL



- Point the remote control at the receiver on the air conditioner. The remote control must be no more than 16,4ft (5 meters) away from the appliance (without obstacles between the remote control and the receiver).
- The remote control must be handled with extreme care. Do not drop it or expose it to direct sunlight or sources of heat.

## DESCRIPTION OF THE REMOTE CONTROL

- 19) **"ON/OFF"** button
- 20) Increase/Decrease button for temperature/programmed use
- 21) **"MODE"** button
- 22) **"TIMER"** button
- 23) °F/°C scale button
- 24) Fan speed selection button (MAX/MED/MIN).



### Inserting or replacing the batteries

- Remove the cover on the rear of the remote control;
- Remove the old batteries, if present.
- Correctly insert two new L03“AAA”1,5V batteries (see the instructions inside the battery compartment);
- Replace the cover.

If the remote control unit is replaced or discarded, the batteries must be removed and disposed of in accordance with current legislation as they are harmful to the environment. Do not mix old and new batteries. Do not mix alkaline, standard (carbon-zinc) or rechargeable (nickel-cadmium) batteries. Do not dispose of batteries in fire. Batteries may explode or leak. If the remote control will not be used for a certain length of time, remove the batteries.

- Note: This equipment has been tested and found to comply with the limits for a Class B digital device, pursuant to part 15 of the FCC Rules. These limits are designed to provide reasonable protection against harmful interference in a residential installation.

- This equipment generates, uses and can radiate radio frequency energy and, if not installed and used in accordance with the instructions, may cause harmful interference to radio communications. However, there is no guarantee that interference will not occur in a particular installation. If this equipment does cause harmful interference to radio or television reception, which can be determined by turning the equipment off and on, the user is encouraged to try to correct the interference by one or more of the following measures:
  - Reorient or relocate the receiving antenna.
  - Increase the separation between the equipment and receiver.
  - Connect the equipment into an outlet on a circuit different from that to which the receiver is connected.
  - Consult the dealer or an experienced radio/TV technician for help. Changes or modifications not expressly approved by the party responsible for compliance could void the user's authority to operate the equipment.
- This device complies with Part 15 of the FCC Rules. Operation is subject to the following two conditions: (1) this device may not cause harmful interference, and (2) this device must accept any interference received, including interference that may cause undesired operation.
- This Class B digital apparatus complies with Canadian CAN ICES-3(B) / NMB-3(B).

## **TURNING THE APPLIANCE ON**

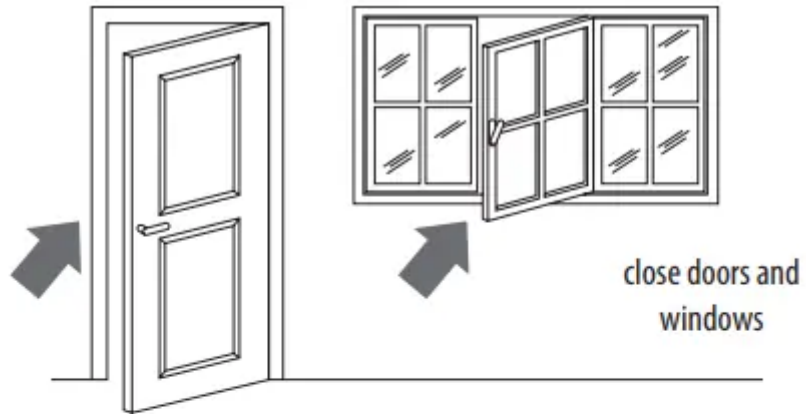
- Plug the appliance into the the electrical receptacle.
- Press the ON/OFF button (19) (when turned on, the air conditioner starts operating in the same mode as when it was turned off).
- Press the MODE button (21) to select the required mode COOLING DEHUMIDIFYING FAN ONLY
- On the control panel, the light corresponding to the selected mode comes on.
- For air conditioning/dehumidifying/fan only settings and programming the timer

## **Tips/ Cleaning**

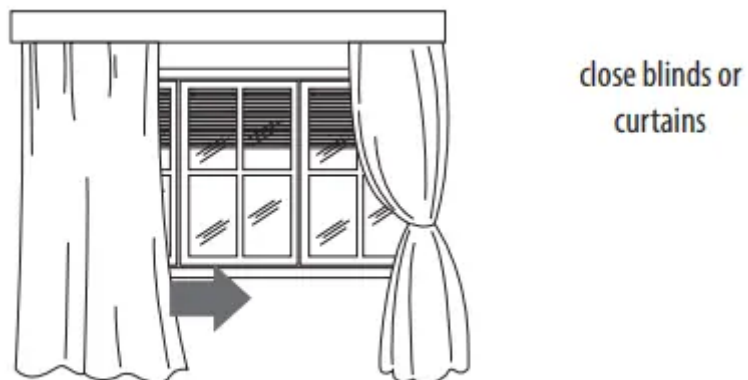
To get the best from your air conditioner, follow these recommendations:

- close the windows and doors in the room to be air conditioned. The only exception is when the appliance is installed through a hole in the wall. In this case, you are recommended to leave a slight draught through a door or window to guarantee correct ventilation.

- Protect the room from direct exposure to the sun by partially closing curtains and/or blinds to make the appliance much more economical to run;
- Never rest objects of any kind on the air conditioner;
- Never obstruct the air in take or outlet grilles 1-6-8.
- Make sure there are no heat sources in the room.



- Never use the appliance in very damp rooms (laundries for example).
- Never use the appliance outdoors.



- Make sure the air conditioner is on a level floor.

Before cleaning or maintenance, turn the appliance off by pressing the ON/OFF button (A) or in models with remote control unit, by pressing the ON/OFF button 19, then always unplug the appliance from the electrical receptacle.

## **CLEANING THE CABINET**

- You should clean the appliance with as lightly damp cloth then dry with a dry cloth.
- For safety reasons, never wash the air conditioner with water.
- Precautions: Never use petrol, alcohol or solvents to clean the appliance. Never spray insecticide liquids or similar.

## **CLEANING THE AIR FILTER**

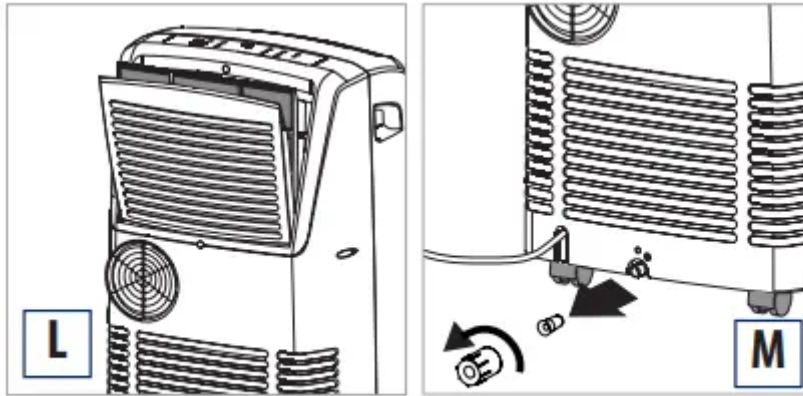
- To keep your air conditioner working efficiently, you should clean the dust filter every week of operation.
- The filter is housed in the intake grille.
- To clean the filter, remove the filter as shown in figure L.
- Use a vacuum cleaner to remove the dust collected on the filter.
- If it is very dirty, immerse in warm water and rinse a number of times. The water should never be hotter than 104°F(40°C). After washing, leave the filter to dry. Put the filter back in its housing.

## **START OF SEASON CHECKS**

- Make sure the power cable and plug are undamaged and the ground connection is efficient. Follow the installation instructions precisely.

## **END OF SEASON OPERATIONS**

- To drain all water from the circuit, remove the external cap by unscrewing it in the anticlockwise direction then, remove the internal cap from the drain hose on the back of the appliance and allow the water to drain out into a basin (figure M). When the appliance is empty, replace the caps.
- Clean the filter and dry thoroughly before putting back.



## Troubleshooting

NOTE: NEVER TRANSPORT OR TURN THE APPLIANCE UPSIDE DOWN OR ON ITS SIDE. IF THIS OCCURS, WAIT 6 HOURS BEFORE TURNING THE APPLIANCE ON, 24 HOURS IS RECOMMENDED. (After the unit has been on its side, oil needs to return to the compressor to ensure proper function. Without allowing the unit this time(6-24 hours). The unit may function for only a short time, and then the compressor will break down from lack of oil.

### 1. The air conditioning unit does not start

- No electricity.
  - Wait.
- It is not plugged into the electrical receptacle.
  - Plug into the electrical receptacle
- The safety device of the plug has tripped.
  - Reset the safety device, if problem persists contact our toll free customer service.

### 2. The air conditioning unit works for a short time only.

- The air exhaust hose has a constriction.
  - Position the exhaust hose correctly
- The air exhaust hose is blocked.
  - Check there are no obstacles that obstruct the air discharge
- There are tight bends in the air exhaust hose.
  - Eliminate the tight bends.

3. The air conditioner works, but does not cool the room.

- Window open.
  - Close the window.
- The exhaust hose is detached.
  - Connect the exhaust hose.
- Air filter clogged.
  - Clean or replace the filter.

4. Unpleasant smell in the room

- Airpurifying filter clogged
  - Clean or replace the filters.

5. The air conditioner does not operate for about 3 minutes after turning it on



- The safety device has tripped
  - Wait for three minutes.

6. The alarm light Q comes on

- The tank inside the appliance is full.
  - Empty the tank (see “End of season operations”)

SELF-DIAGNOSIS: The appliance has a self-diagnosis system to identify a number of malfunctions. Error messages are displayed on the appliance display.

**IF...IS DISPLAYED,**

-  “Low Temperature”
  - ...MEANS: room temperature is too low
-  “High Temperature”
  - ...MEANS: room temperature is too high



“Probe Failure” (sensor damaged)

- ...MEANS: contact your local customer service

## Technical specifications

### TECHNICAL SPECIFICATION

Power supply voltage	see rating label
Max. absorbed power	
during air conditioning	“
Refrigerant	“
Cooling capacity	“

### LIMIT CONDITIONS

Room temperature for air conditioning	64 ÷ 104°F 18 ÷ 40°C
--	----------------------

- Transport, filling, cleaning, recovery and disposal of refrigerant should be performed by a technical service centre appointed by the manufacturer only. The appliance should be disposed of by a specialist centre appointed by the manufacturer only.
- NEVER TRANSPORT OR TURN THE APPLIANCE UPSIDE DOWN OR ON ITS SIDE. IF THIS OCCURS, WAIT 6 HOURS BEFORE TURNING THE APPLIANCE ON, 24 HOURS IS RECOMMENDED. (After the unit has been on its side, oil needs to return to the compressor to ensure proper function. Without allowing the unit this time (6- 24 hours)Theunitmayfunction for only a short time,and then the compressor will break down from lack of oil).
- This appliance is equipped with a 3 prong grounded plug.The plug must be connected in to an outlet that is properly installed and grounded in the accordance with all local codes and ordinances. Do not modify the plug provided with the appliance. If it will not fit the outlet, have a proper outlet installed by a qualified electrician or relocate the unit to a proper outlet. If the household electrical supply does not meet the above specifications, or if you are not sure your home has an effective electrical ground, have a qualified electrician or your local electrical utility company check it and correct any problems.

### SAFETY PLUG

- The appliance is fitted with a safety plug to protect the power cable.

- If power is cut off, unplug from the outlet and make sure the power cable is undamaged.
- If the cable is damaged, call the service center immediately.
- If power cuts off frequently and the power cable is undamaged, contact a qualified electrician.

#### OPERATION OF THE SAFETY PLUG

- If the safety device incorporated in the plug trips and cuts off the power supply, check that the power cable and plug are not damaged.
- If the power cable is undamaged, to restore operation press the “RESET” button.
- To verify correct operation of the plug, press the “TEST” button periodically and make sure the appliance disconnects. If this is not the case, contact the service center.
- To rest oreoperation, press the “RESET” button.

#### **Warning**

This content is compiled from multiple sources and is provided for reference purposes only. It may not be complete or fully applicable to all situations. If you are unable to resolve your issue, please contact the product manufacturer or an authorized service provider for official support.