

## INSTALLATION GUIDE

### 1. Examine the oven after unpacking.

Check for damage such as a misaligned door, broken door or dent in the cavity. If any damage is visible, DO NOT INSTALL, and notify your dealer immediately.

### 2. Level, flat location.

Install the microwave oven on a level, flat surface.

### 3. Ventilation.

Do not block air vents. If they are blocked during operation, the oven may overheat and eventually cause a failure. For proper ventilation, allow 4 inches of space between oven top, sides, rear and adjacent surfaces.

### 4. Place away from radio and TV sets.

Poor television reception and radio interference may result if the oven is located close to a TV, radio, antenna, feeder, etc. Place the oven as far away from them as possible.

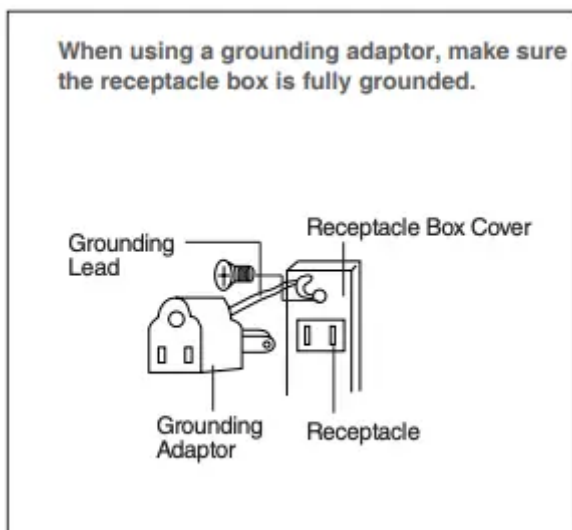
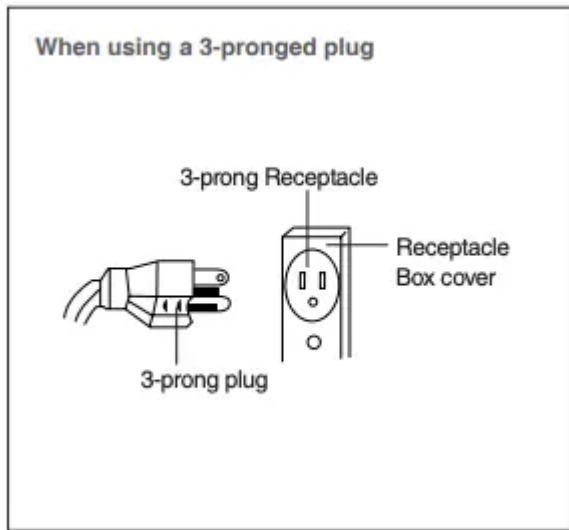
### 5. Place away from heating appliances and water taps.

Keep the oven away from heat, steam or splashing liquids. These things can adversely affect oven wiring and contacts.

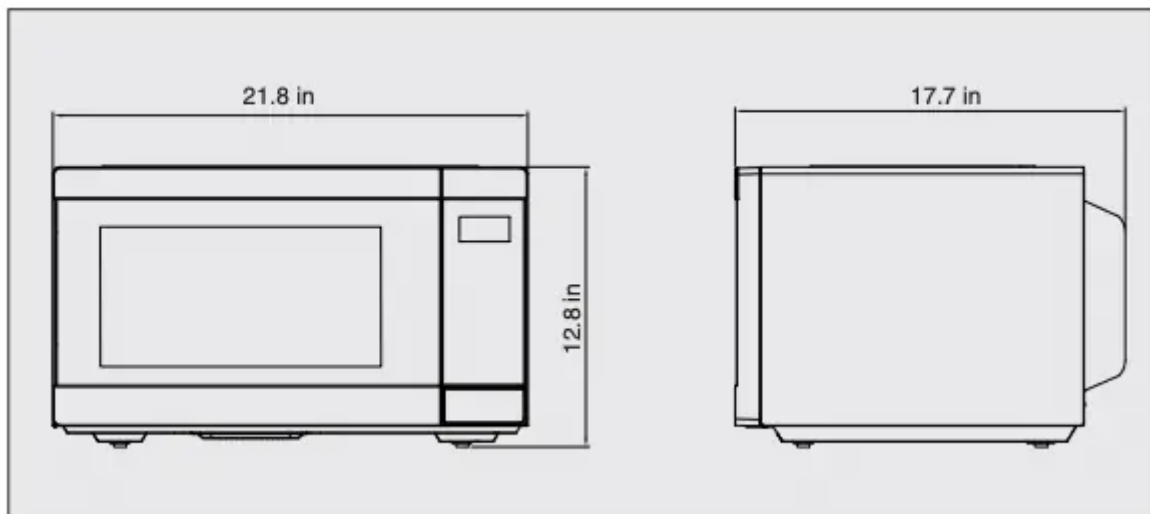
### 6. Power supply.

- Check your local power source. This microwave oven requires a current of approximately 14 amperes, 120Volts, 60Hz and a grounded outlet.
  - 1. A short power-supply cord is provided to reduce the risks of the user becoming entangled in or tripping over a longer cord.
  - 2. Longer cord sets or extension cords are available and may be used if care is exercised in their use.
  - 3. If a long cord or extension cord is used:
    - The marked electrical rating of the cord set or extension cord should be at least as great as the electrical rating of the oven.
    - The extension cord must be a grounding type 3-wire cord.
    - The longer cord should be arranged so that it will not drape the table top or counter where it can be pulled on by children or tripped over unintentionally.

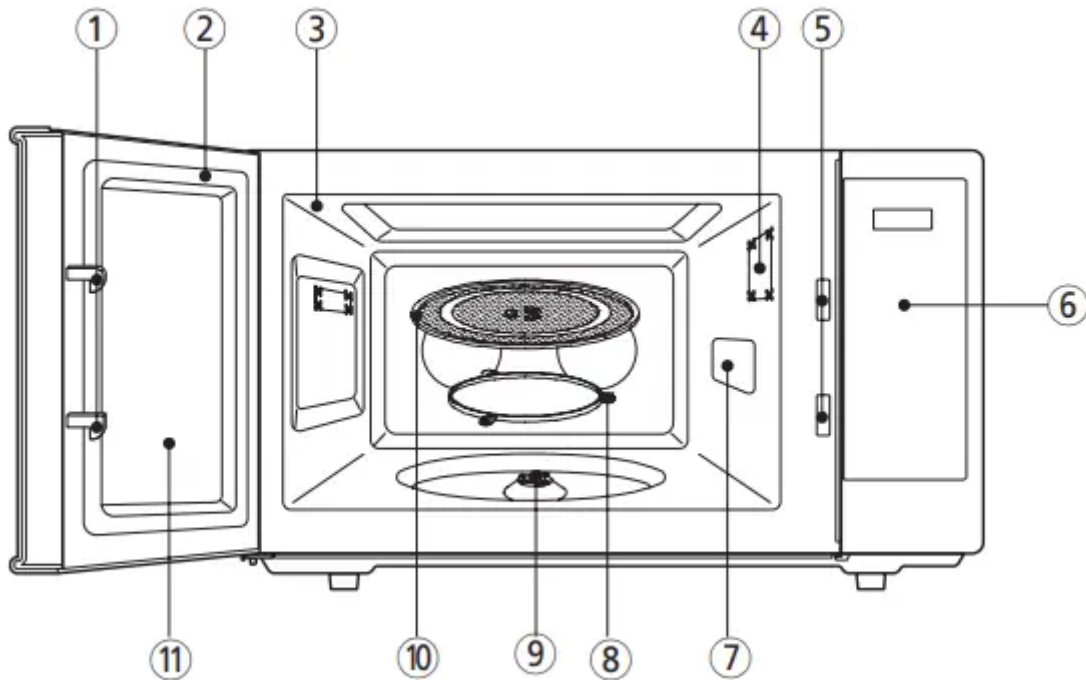
### 7. The minimum height of free space necessary above the top surface of the oven is about 4 inches



“THE CANADIAN ELECTRICAL CODE DOES NOT ALLOW THE USE OF THE GROUNDING ADAPTOR”



## FEATURES DIAGRAM



**1 Door latch** - If the door is opened while the oven is operating, the magnetron will automatically shut off.

**2 Door seal** - The door seal surfaces prevent microwaves escaping from the oven cavity.

**3 Oven cavity**

**4 Oven lamp** - Automatically turns ON when oven door is opened and during operation.

**5 Safety interlock system**

**6 Control panel**

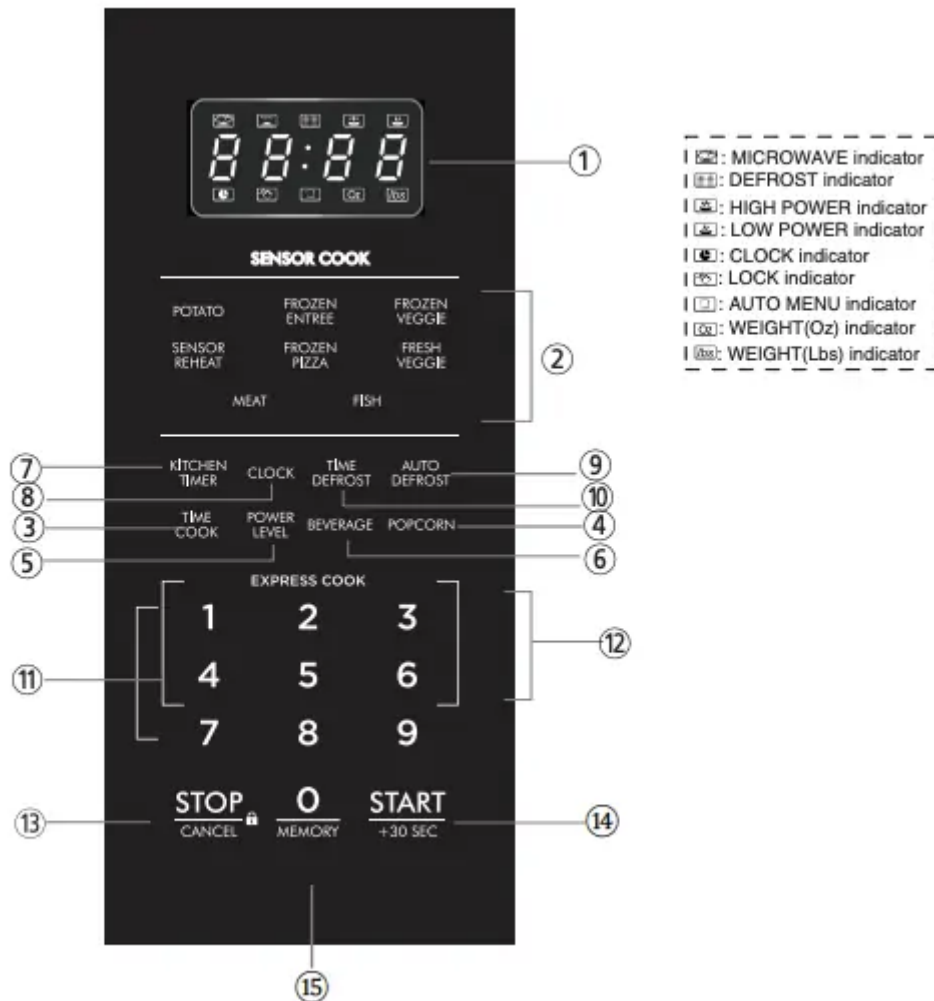
**7 Waveguide cover** - Protects the microwave outlet from splashes of cooking foods.

**8 Roller guide** - This must always be used for cooking together with the glass cooking tray.

**9 Coupler** - This fits over the shaft in the center of the oven cavity floor. This is to remain in the oven for all cooking.

**10 Glass cooking tray** - Made of special heat resistant glass. The tray must always be in proper position before operating. Do not cook food directly on the tray.

**11 Viewing screen** - Allows viewing of food. The screen is designed so that light can pass through, but not the microwave.



**1 Display** - Cooking time, power level, indicators and current time are displayed.

**2 SENSOR COOK MENU** - Used to select a Sensor Cook program.

**3 TIME COOK** - Used to set the cooking according to the desired power and time.

**4 POPCORN PAD** - Press to select POPCORN menu.

**5 Power Level** - Used to set power level.

**6 BEVERAGE PAD** - Press to select BEVERAGE menu.

**7 KITCHEN Timer** - Used as a minute timer, delay cooking, hold setting after cooking.

**8 CLOCK** - Used to set the clock.

**9 AUTO DEFROST PAD** - Press to select DEFROST feature by weight.

**10 TIME DEFROST** - Used to defrost foods for time.

**11 NUMBER BUTTON** - Used to enter the cooking time, kitchen timer, etc.

**12 EXPRESS COOK** - Press one of the Express Cook pads (from 1-6) for 1-6 minutes of cooking at 100% (full power).

**13 Stop / Clear** - Used to stop the oven operation or to delete the cooking data.

**14 Start / +30 sec** - Used to start the oven and also add 30 seconds increment to cooking time.

**15 MEMORY BUTTON** - Used to set the memory function.

## OPERATION PROCEDURE

This section includes useful information about oven operation.

1. Plug power supply cord into a standard 3-pronged 14 Amp, 120V AC 60Hz power outlet.
2. After placing the food in a suitable container, open the oven door and put it on the glass tray. The glass tray and roller guide must always be in place during cooking.
3. Close the door. Make sure that it is firmly closed.
4. The oven light is on when the microwave oven is operating
5. The oven door can be opened at any time during operation. The oven will automatically shut off.
6. Each time a pad is touched, a BEEP will sound to acknowledge the touch.
7. The oven automatically cooks on full power unless set to a lower power level.
8. The display will show "0:00 " when the oven is plugged in.
9. Time clock returns to the present time when the cooking time ends.
10. When the STOP/CANCEL pad is touched during the oven operation, the oven stops cooking and all information retained. To erase all information(except the present time), touch the STOP/CANCEL pad once more. If the oven door is opened during the oven operation, all information is retained.
11. If the START/+30sec pad is touched and the oven does not operate, check the area between the door and door seal for obstructions and make sure the door is closed securely. The oven will not start cooking until the door is completely closed or the program has been reset.

Make sure the oven is properly installed and plugged into the electrical outlet.

### Wattage output chart

- The power-level is set by touching the Power pad once, then press number keys to choose the level you need. The chart shows the display, the power level and the percentage of power.

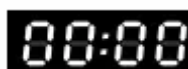
TOUCH THE NUMBER PAD	POWER LEVEL (DISPLAY)	APPROXIMATE PERCENTAGE OF POWER
Default	PL10	100%
9	PL9	90%
8	PL8	80%
7	PL7	70%
6	PL6	60%
5	PL5	50%
4	PL4	40%
3	PL3	30%
2	PL2	20%
1	PL1	10%

## CONTROLS

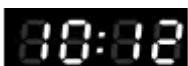
### SETTING THE CLOCK

When the oven is first plugged in, the display will show "0:00" and a tone will sound. If the AC power ever goes off, the display show " 0:00" when the power comes back on.

(1) Press " CLOCK" , "00:00" will display.



(2) Press the number keys to program current time. For example, to set the clock to 10:12, press 1,0,1,2 or to set the clock at 5:12, press "0,5,1,2"



( 3 ) Press " CLOCK " to finish clock setting. ":" will flash and the clock will be lit.

(4) If the numbers are not within the range of 1:00-12:59, the setting will be invalid until valid numbers are input.

#### Note:

- 1. In the process of clock setting, if the " STOP/CANCEL" button is pressed or if there is no operation selected within 1 minute, the oven will go back to the previous setting automatically.
- 2. If the clock needs to be reset, repeat steps 1- 3.

### KITCHEN TIMER MODE

Timer operates as a minute timer.

Timer operates without microwave energy



- (1) Press "KITCHEN TIMER. display will show "00:00". the first hour figure flashes.
- (2) Press the number keys and enter the timer time. (The maximum cooking time is 99 minutes and 99 seconds).
- (3) Press " START/+30SEC. " to confirm setting.
- (4) When the timer time arrives. the buzzer will beep 5 times. If the clock is set. the LED will display the current time.

**Note:**

- 1. The kitchen timer is a timer and will not display the "Clock."
- 2. When using the kitchen timer. no other program can be set.

The TIMER indicator starts blinking and the display counts down the time remaining in KITCHEN TIMER mode. When KITCHEN TIMER mode ends. you will hear 5 beeps.

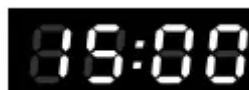
**MICROWAVE COOK MODE**

- (1) Press "TIME COOK" once. the display will show "00:00".



- (2) Press number keys to input the cooking time; the maximum cooking time is 99 minutes and 99 seconds.
- (3) Press "POWER LEVEL" once. the display will show "PL10". The default power is 100% power. Now you can press number keys to adjust the power level.
- (4) Press " START/+30SEC." to start cooking.

**Example:** to cook the food with 50% microwave power for 15 minutes.



- a. Press "TIME COOK" once. "00:00" displays.
- b. Press "1". "5". "0". "0" in order.
- c. Press "POWER LEVEL" once. then press "5" to select 50% microwave power.
- d. Press "START/+30SEC." to start cooking.

**Note:**



In the process of setting, if the " START/+30SEC." button is not pressed or there is no operation within 5 minutes, the oven will go back to the previous setting automatically.

## **EXPRESS COOK**

(1) If not already cooking, press number pads 1-6 to quickly cook from 1-6 minutes at 100% power. Press " START/+30SEC." to increase the cooking time; the maximum cooking time is 99 minutes and 99 seconds.

(2) To cook for 30 seconds at 100% power press "START/+30SEC". Each press on the the same button will increase cooking time by 30 seconds. The maximum cooking cooking time is 99 minutes and 99 seconds.

### **Note:**

1). During microwave cooking, time defrost, popcorn and memory functions, time can be added by pressing "START/+30SEC." button.

2) Under sensor menu cooking and weight defrost state, time cannot be added by pressing "START/+30SEC." button.

## **AUTO DEFROSTING**

AUTO DEFROST lets you easily defrost food by eliminating guesswork in determining defrosting time.

Follow the steps below for easy defrosting.

(1) Press "AUTO DEFROST. LED will display "0.0".

(2) Press number buttons to input weight to be defrosted. The weight must be between 0.3 lbs and 6.3 lbs.

(3) Press " START/+30SEC. " to start defrosting and the cooking time remaining will be displayed.

The defrosting time is automatically determined by the weight selected.

The minimum weight for Auto Weight Defrost is 0.3 lbs. and maximum weight is 6.3 lbs.

When the defrosting time ends, you will hear 5 beeps.

## **TIME DEFROSTING**

When TIME DEFROST is selected, the automatic cycle divides the defrosting time into periods of alternating defrost and stand times by cycling on and off.

(1) Press " TIME DEFROST. " the display will show "00:00".

(2) Press number pads to input defrosting time. The effective time range is 0:01~99:99.

(3) The default microwave power is power level 3. It cannot be adjusted.

(4) Press " START/+30SEC. " to start defrosting. The remaining cooking time will be displayed.

When you touch START pad. the display counts down the time to show you how much defrosting time is left in the TIME DEFROST mode.

When the defrosting time ends. you will hear 5 beeps.

## MULTI-STAGE COOKING

At most, 2 stages can be set for cooking. In multi-stage cooking, if one stage is defrosting, then defrosting shall be placed at the first stage automatically.

**Note:** Auto cooking cannot work in the multi-stage cooking.

**Example:** if you want to cook with 80% microwave power for 5 minutes + 60% microwave power for 10 minutes. The cooking steps are as follows:

- (1) Press "TIME COOK" once, then press "5","0","0" to set the cooking time;
- (2) Press "POWER LEVEL " once, then press "8" to select 80% microwave power.
- (3) Press "TIME COOK" once, then press "1","0","0","0" to set the cooking time;
- (4) Press " POWER LEVEL" once, then press "6" to select 60% microwave power.
- (5) Press "START/ +30 SEC." to start cooking.

## MEMORY FUNCTION

(1) Press "0/MEMORY" repeatedly to choose memory setting 1-3. The display will show 1,2,3

(2) If the setting has been programmed. press " START/ +30 SEC." to use it. If not. create the memory setting with your favorite program. Please note: only one or two stages can be set.

(3) After finishing the setting. press "START/+30SEC." once to save the setting. If you press " START/ +30 SEC." again it will start cooking.

**Example:** to program the following setting as the second memory to cook food with 80% microwave power for 3 minutes and 20 seconds.

The steps are as follows:

- a. In waiting state. press "0/MEMORY" twice. the screen displays "2".
- b. Press "TIME COOK" once. then press "3". "2". "0" in order.
- c. Press "POWER LEVEL" once. "PL10" displays. then press "8" and "PL8" displays.

- d. Press "START/+30SEC." to save the setting. Buzzer sounds once and the LED will display "2". If you press "START/+30SEC." again, the setting will be saved as memory 2 and it will start cooking.
- e. If power is lost, the "MEMORY" setting will need to be reprogrammed.
- f. If you want to run the saved setting in waiting state, press "0/MEMORY" twice. Screen displays "2". Then press "START/+30SEC." to run.

## ONE TOUCH COOK

One touch cooking allows you to cook or reheat many of your favorite foods by touching just one pad. To increase quantity, touch the chosen pad until the number in the display is same as desired quantity to cook

### POPCORN

(1) Press "POPCORN" repeatedly until the package size of your popcorn appears in the display. "3.0", "3.5", "1.75" will display in order.

For example, press "POPCORN" once. "3.0" appears.

(2) Press "START/+30 SEC." to cook. Buzzer sounds once. When cooking is finished, buzzer will sound five times.

### BEVERAGE

(1) Press "BEVERAGE" repeatedly until the number you wish appears in the display. "1", "2", "3" cup will display in order.

For example, press "BEVERAGE" once. "1" appears.

(2) Press "START/+30 SEC." to cook. Buzzer sounds once. When cooking is finished, buzzer will sound five times.

## SENSOR COOK

1) In waiting state, put the food in the oven. Press the menu key in the sensor cook.

2) Press "START/+30SEC" to start sensor reheat function and no need to set time.

3) The sensor will sound twice when the steaming is emanated. The surplus time will display. The buzzer will sound 5 beeps when finishing. At last, the oven will turn back to the waiting state.

### Note:

1) When cooking or reheating food, you should do the following in order to have the best effect.

- a. The room temperature cannot be over 35 degrees.
- b. The weight of food must be more than 110g (4 Oz).
- c. The cavity, glass tray and utensils must dry before putting the food in.

- d.The reheat food can be covered with the lid. but the lid must have a venthole in order to emanate the steam. Sealed utensil is forbidden.

2) During cooking process. following points must be done.

- a.Keep the door close when the surplus time does not display or the buzzer does not sound twice.
- b.When the buzzer sounds twice. the time will count down and display the surplus time. you can open the door to mix the food up. urn over or replace the food. And then go on the next operation.

3) Please leave the food alone for a while after cooking has finished.

4) During sensor cooking process. if the time does not count down. please do not open the oven door or press "STOP/CANCEL" key. Otherwise. the sensor will make mistakes.

### **Sensor Reheat Menu**

1) In waiting states. press "SENSOR REHEAT". And put the food into the microwave oven. "SC-4" is displayed.

2) Press "START/+30SEC" to start sensor reheat function and no need to set time.

3)The sensor will sound twice when the steaming has been emanated.The surplus time will display. the buzzer will sound 5 beeps when finishing and the oven will turn back to the waiting states.

### **Note:**

1) Food to be avoided in sensor reheating.

- a.Bread and other dry food. such as biscuit, cake
- b.Raw or uncooked food.
- c.Beverage and frozen food.

2)The oven cannot cook automatically when the temperature of the oven cavity is high.

3)The reheat food can be covered with the lid. but the lid must have a venthole in order to emanate the steam. Sealed utensil is forbidden.

4) During sensor cooking process. please do not open the oven door or press "STOP/CANCEL" key. Otherwise. he sensor will make mistakes.

5)The sensor reheat has different requests for different food. Casseroles- Add 3 to 4 tablespoons of water. cover with lid or vented plastic wrap. Stir when time appears in the display window.

Canned foods-Empty contents into casserole dish or serving bowl,cover dish with lid or vented plastic wrap. After reheating, let stand for a few minutes.

Plate of food- Arranged food on plate; top with butter, gravy,etc. Cover with lid or vented plastic wrap. After reheating, let stand for a few minutes.

## Sensor Cook Chart

Menu	Weight	Inicial Temp.	Additional Instructions
SC-1 Potato	1~4 Units (6~8Oz each one)	Room Temp.	Pierce each potato with a fork 6 times around its' surface. Place potatoes around the edge of a paper-towel-lined turntable. Do not cover. If additional time is needed, continue to cook manually. Please let stand for 5 minutes in the oven after finishing to avoid burning.
SC-2 Frozen entree	8~32 Oz (225~900g)	minus 18 degrees	Be careful when removing the film cover after cooking. Remove facing away from you to avoid steam burns. If additional time is needed, continue to cook manually. Cover the film before cooking and leave a spacing near the edge of the container in order to let the steam out. When buzzer sounds twice, cooking time counts down. Press " STOP/CANCEL " to pause and open the oven door to mix.
SC-3 Frozen Vegetable	6~16Oz (170~450g)	minus 18 degrees	Wash thoroughly, add 15ml water per 125g vegetables, and cover with a lid or vented plastic wrap. Do not salt/butter vegetables until after cooking.
SC-4 Sensor Reheat	8~12 Oz	5 degrees	Reheat food on dinner plate. When sensor time finish, cooking time counts down. Now you can mix it and then continue reheating.
SC-5 Frozen Pizza	6~12 Oz (170~340g)	minus 18 degrees	If the weight is over 12 OZ, please set the additional cooking time manually.
SC-6 Fresh Vegetable	4~16Oz (110~450g)	Room Temp.	All pieces should be the same size. Wash thoroughly, add 15ml water per 125g vegetables, and cover with a lid or vented plastic wrap. When cooking time counts down, press " STOP/CANCEL " to pause and open the oven door to mix and then continue to cook.
SC-7 Meat	8~24 Oz (225~680g)	5 degrees	Break apart in glass bowl or colander. Cover with lid or vented plastic wrap. Juices should be clear when done, Drain. When cooking time counts down. Press "STOP/ CANCEL" to pause and open the oven door to mix and then continue to cook.
SC-8 Fish	4~16 Oz (110~450g)	5 degrees	Arrange in a single layer. Cover with lid or vented plastic wrap. Cover the film before cooking and leave a spacing near the edge of the container in order to let the steam out. When cooking time counts down, press "STOP/ CANCEL" to pause and open the oven door to turn over and then continue to cook.

## CHILD SAFETY LOCK

- Lock: In waiting state. press "STOP/CANCEL " for 3 seconds. there will be a long "beep" denoting the entering into the children-lock state; meanwhile. urrent time or "0:00" will display.
- Lock Cancel: In locked state. press "STOP/CANCEL " for 3 seconds. there will be a long "beep" denoting that lock is released.

## INQUIRING FUNCTION

(1) In microwave or multi-stage cooking state. press " CLOCK ". the display will show the clock for three seconds if set.

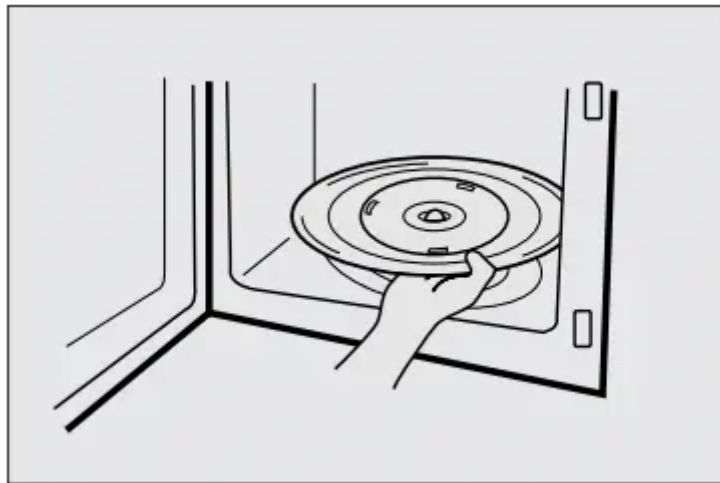
(2) In the microwave or multi-stage cooking. press " POWER LEVEL " to inquire microwave power level. and the current microwave power will be displayed. After three seconds. the oven will turn back to the previous state.

## CARE OF YOUR MICRO WAVE OVEN

The oven should be cleaned regularly and any food deposits removed.

Failure to maintain the oven in a clean condition could lead to deterioration of the surface that could adversely affect the life of the appliance and possibly result in a hazardous situation.

1. Unplug the oven before cleaning.
2. Keep the inside of the oven clean. When food spatters or spilled liquids adhere to oven walls. wipe with a damp cloth. Mild detergent may be used if the oven gets very dirty. The use of harsh detergent or abrasives is not recommended.
3. The outside oven surface should be cleaned with soap and water. rinsed and dried with a soft cloth. To prevent damage to the operating parts inside the oven. water should not be allowed to seep into the ventilation openings.
4. If the Control Panel becomes wet. clean with a soft. dry cloth. Do not use harsh detergents or abrasives on Control Panel.
5. If steam accumulates inside or around the outside of the oven door. wipe with a soft cloth. This may occur when the microwave oven is operated under high humidity conditions and in no way indicates malfunction of the unit.
6. It is occasionally necessary to remove the glass tray for cleaning. Wash the tray in warm sudsy water or in a dishwasher.
7. The roller guide and oven cavity floor should be cleaned regularly to avoid excessive noise. Simply wipe the bottom surface of the oven with mild detergent water or window cleaner and dry. The roller guide may be washed in mild sudsy water.

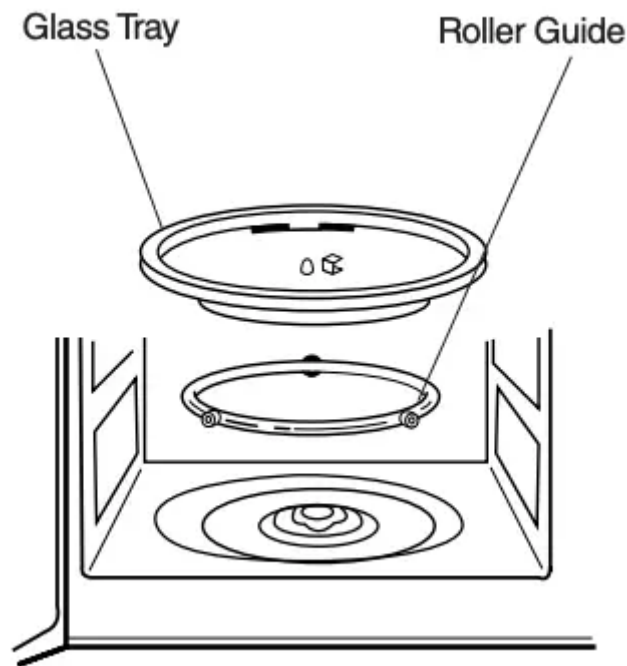


## ROLLER GUIDE

1. The ROLLER GUIDE and oven floor should be cleaned frequently to prevent excessive noise.
2. The ROLLER GUIDE MUST ALWAYS be used for cooking together with the Glass Tray.

## GLASS TRAY

1. DO NOT operate the oven without the Glass Tray in place.
2. DO NOT use any other Glass Tray with this oven.
3. If Glass Tray is hot. ALLOW TO COOL before cleaning or placing it in water.
4. DO NOT cook directly on the Glass Tray. (Except for popcorn)



## BEFORE YOU CALL FOR SERVICE

Refer to following checklist, you may prevent an unnecessary service call.

### **\* The oven doesn't work :**

- 1. Check that the power cord is securely plugged in.
- 2. Check that the door is firmly closed.
- 3. Check that the cooking time is set.
- 4. Check for a blown circuit fuse or tripped main circuit breaker in your house.

### **\* Sparking in the cavity:**

- 1. Check utensils. Metal containers or dishes with metal trim should not be used.
- 2. Check that metal skewers or foil does not touch the interior walls.

## CARE AND CLEANING

Although your oven is provided with safety features, it is important to observe the following:

- 1. It is important not to defeat or tamper with safety interlocks.
- 2. Do not place any object between the oven front face and the door or allow residue to accumulate on sealing surfaces. Wipe the sealing area frequently with a mild detergent, rinse and dry. Never use abrasive powders or pads.
- 3. When opened, the door must not be subjected to strain, for example, a child hanging on an opened door or any load could cause the oven to fall forward to cause injury and also damage to the door. Do not operate the oven if it is damaged, until it has been

repaired by a competent service technician. It is particularly important that the oven closes properly and that there is no damage to the:

i) Door(bent)

ii) Hinges and Hooks(broken or loosened)

iii) Door seals and sealing surfaces.

- 4. The oven should not be adjusted or repaired by anyone except a properly competent service technician.
- 5. The oven should be cleaned regularly and any food deposits removed;
- 6. Failure to maintain the oven in a clean condition could lead to deterioration of the surface that could adversely affect the life of the appliance and possibly result in a hazardous situation.

## QUESTIONS AND ANSWERS

### **Q : I accidentally ran my microwave oven without any food in it. Is it damaged?**

- A : Running the oven empty for a short time will not damage the oven. However, it is not recommended.

### **Q : Can the oven be used with the glass tray or roller guide removed?**

- A : No. Both the glass tray and roller guide must always be used in the oven before cooking.

### **Q : Can I open the door when the oven is operating?**

- A : The door can be opened anytime during the cooking operation. Then microwave energy will be instantly switched off and the time setting will maintain until the door is closed.

### **Q : Why do I have moisture in my microwave oven after cooking?**

- A : The moisture on the side of your microwave oven is normal. It is caused by steam from cooking food hitting the cool oven surface.

### **Q : Does microwave energy pass through the viewing screen in the door?**

- A : No. The metal screen bounces back the energy to the oven cavity. The holes are made to allow light to pass through. They do not let microwave energy pass through.

### **Q : Why do eggs sometimes pop?**

- A : When baking or poaching eggs, the yolk may pop due to steam build-up inside the yolk membrane. To prevent this, simply pierce the yolk with a toothpick before cooking. Never cook eggs without piercing their shells.

**Q : Why is this standing time recommended after the cooking operation has been completed?**

- A : Standing time is very important. With microwave cooking, the heat is in the food, not in the oven. Many foods build up enough internal heat to allow the cooking process to continue, even after the food is removed from the oven. Standing time for joints of meat, large vegetables and cakes is to allow the inside to cook completely, without overcooking the outside.

**Q : What does “standing time” mean?**

- A : “Standing time” means that food should be removed from the oven and covered for additional time to allow it to finish cooking. This frees the oven for other cooking.

**Q : Why does my oven not always cook as fast as the microwave cooking guide says?**

- A : Check your cooking guide again, to make sure you’ve followed directions exactly ; and to see what might cause variations in cooking time. Cooking guide times and heat settings are suggestions, to help prevent over-cooking... the most common problem in getting used to a microwave oven.

Variations in the size, shape and weights and dimensions could require longer cooking time. Use your own judgement along with the cooking guide suggestions to check whether the food has been properly cooked just as you would do with a conventional cooker.

**Q : Will the microwave oven be damaged if it operates while empty?**

- A : Yes. Never run it empty.

**Q : Can I operate my microwave oven without the turntable or turn the turntable over to hold a large dish?**

- A : No. If you remove or turn over the turntable, you will get poor cooking results. Dishes used in your oven must fit on the turntable.

**Q : Is it normal for the turntable to turn in either direction?**

- A : Yes. The turntable rotates clockwise or counterclockwise, depending on the rotation of the motor when the cooking cycle begins.

**Q : Can I pop popcorn in my microwave oven? How do I get the best results?**

- A : Yes. Pop packaged microwave popcorn following manufacture’s guidelines. Do not use regular paper bags. Use the “listening test” by stopping the oven as soon as the popping slows to a “pop” every 1 or 2 seconds. Do not repop unpopped kernels. Do not pop popcorn in glass cookware.

## **Utensil GUIDE**

Only use utensils that are suitable for use in microwave ovens. To cook food in the microwave oven, the microwaves must be able to penetrate the food, without being reflected or absorbed by

the dish used. Care must therefore be taken choosing the utensil. If the utensil is marked microwave-safe, you do not need to worry. The following table lists various utensil and indicates whether and how they should be used in a microwave oven.

UTENSIL	SAFE	COMMENTS
<b>Aluminium foil</b>	▲	Can be used in small quantities to protect areas against overcooking. Arcing can occur if the foil is too close to the oven wall or if too much foil is used.
<b>Crust plate</b>	●	Do not preheat for more than 8 minutes.
<b>China and earthenware</b>	●	Porcelain, pottery, glazed earthenware and bone china are usually suitable, unless decorated with a metal trim.
<b>Disposable polyester cardboard dishes</b>	●	Some frozen foods are packaged in these dishes.
<b>Fast-food packaging</b> • Polystyrene cups containers • Paper bags or newspaper • Recycled paper or metal trims	● × ×	Can be used to warm food. Overheating may cause the polystyrene to melt. May catch fire. May cause arcing.
<b>Glassware</b> • Oven-to-table ware • Fine glassware • Glass jars	● ● ●	Can be used, unless decorated with a metal trim. Can be used to warm foods or liquids. Delicate glass may break or crack if heated suddenly. Must remove the lid. Suitable for warming only.
<b>Metal</b> • Dishes • Freezer bag twist ties	× ×	May cause arcing or fire.
<b>Paper</b> • Plates, cups, napkins and Kitchen paper • Recycled paper	● ×	For short cooking times and warming. Also to absorb excess moisture. May cause arcing.
<b>Plastic</b> • Containers • Cling film • Freezer bags	● ● ▲	Particularly if heat-resistant thermoplastic. Some other plastics may warp or discolour at high temperatures. Do not use Melamine plastic. Can be used to retain moisture. Should not touch the food. Take care when removing the film as hot steam will escape. Only if boilable or oven-proof. Should not be airtight. Prick with a fork, if necessary.
<b>Wax or grease-proof paper</b>	●	Can be used to retain moisture and prevent spattering.

- : Recommended use
- ▲ : Limited Use
- × : Not Recommended

### Warning



This content is compiled from multiple sources and is provided for reference purposes only. It may not be complete or fully applicable to all situations. If you are unable to resolve your issue, please contact the product manufacturer or an authorized service provider for official support.

---

Document generated by [ManualsFile](#)

