

## Important Safety Instructions

### READ ALL INSTRUCTIONS BEFORE USING YOUR VACUUM CLEANER

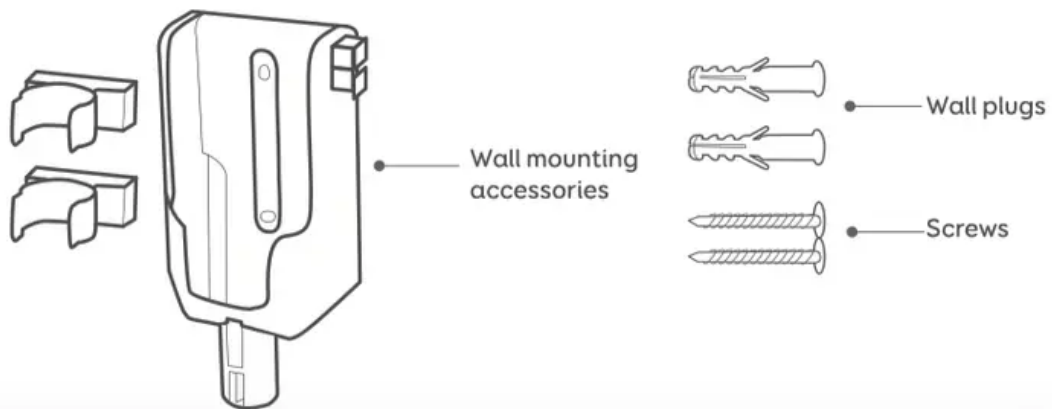
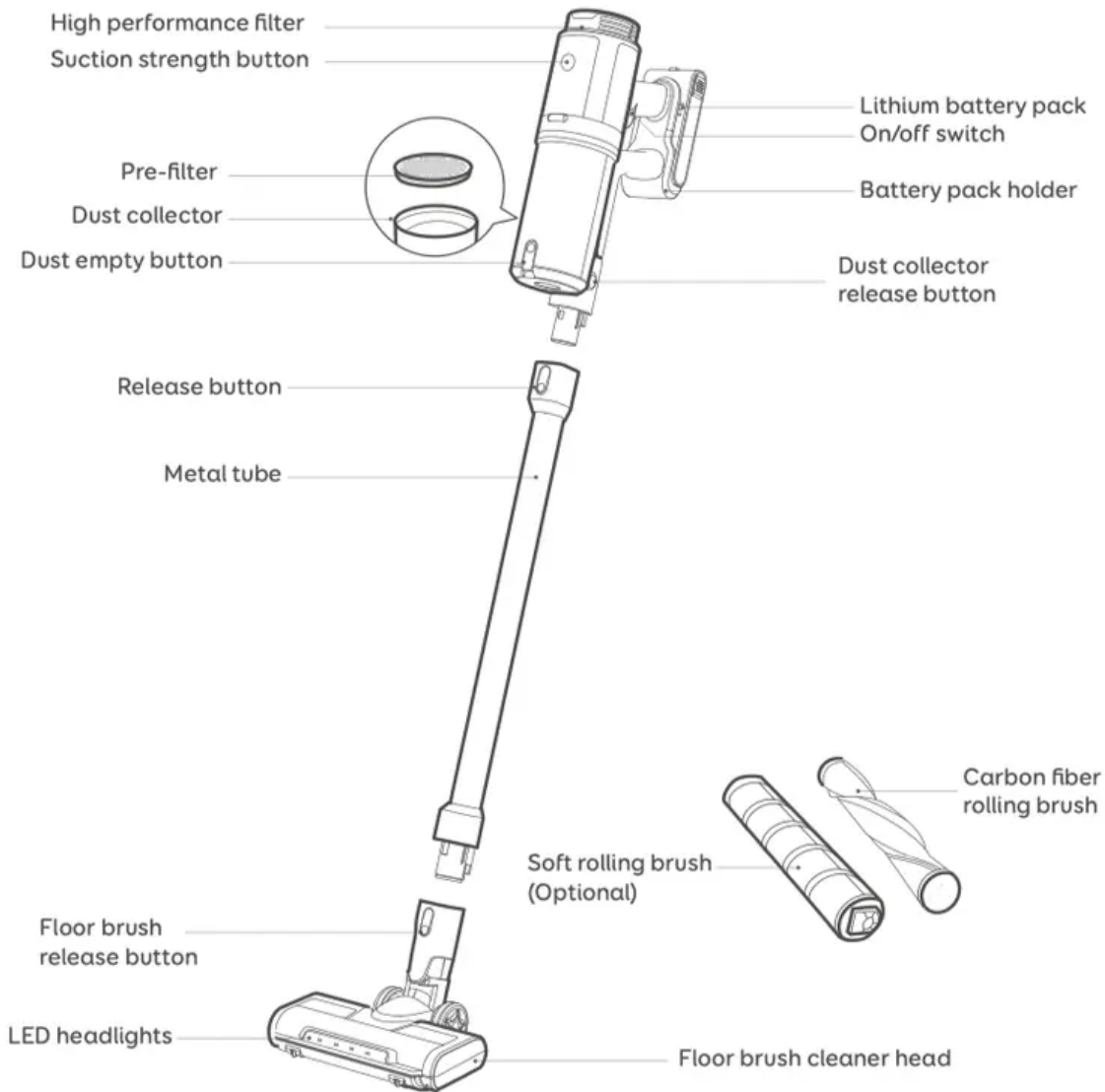
#### **WARNING** - TO REDUCE THE RISK OF FIRE, ELECTRIC SHOCK, OR INJURY:

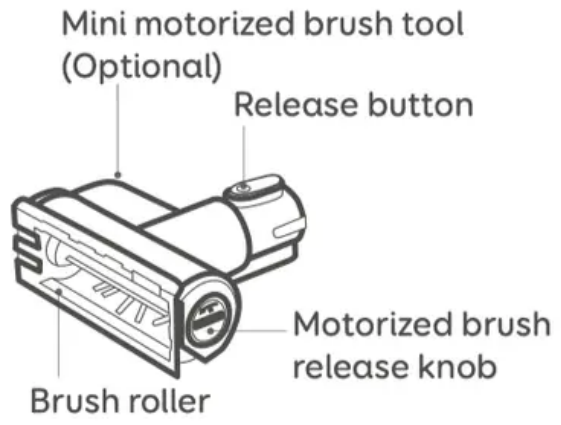
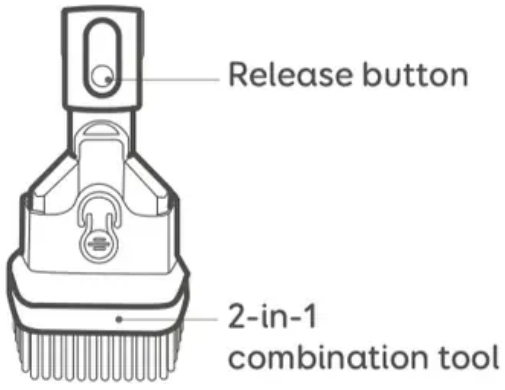
- Recharge only with the charger (US: YLS0241A-T300080; UK: YLS0241A-U300080; AU: YLS0241A-A300080; EU: YLS0241A-E300080) specified by the manufacturer. A charger that is suitable for one type of battery pack may cause a risk of fire when used with another battery pack.
- This appliance can be used by children aged from 8 years and above and persons with reduced physical, sensory or mental capabilities or lack of experience and knowledge if they have been given supervision or instruction concerning use of the appliance in a safe way and understand the hazards involved. Children shall not play with the appliance. Cleaning and user maintenance shall not be done by children without supervision.
- The battery must be removed from the device before the device is disposed of.
- This appliance must be disconnected from the mains supply when removing the battery.
- The used battery should be placed in a sealed plastic bag and disposed of safely according to local environmental regulations.
- Fully assemble before operating.
- Intended for household use only.
- Do not use outdoors or on wet surfaces.
- Do not leave this appliance unattended when it is plugged in. Unplug it from the outlet when you are not using it and before servicing.
- Do not allow to be used as a toy. Close attention is necessary when used by or near children.
- Use only as described in this manual. Use only manufacturer recommended attachments.
- For the purposes of recharging the battery, only use the detachable power supply unit provided with this device.
- Do not use with a damaged cord or plug. If the appliance is not working as it should, or has been dropped, damaged, or submerged in water, contact our customer service for advice.
- Do not handle the plug or appliance with wet hands.
- Do not unplug the adapter by pulling on the cord. To unplug, grasp the plug, not the cord.
- Do not pull the cord around sharp edges or corners. Do not run the appliance over the cord. Keep the cord away from heated surfaces.

- Do not put any object into openings or vents. Do not use if any opening is blocked. Keep free of dust, lint, hair, and anything else that may reduce airflow.
- Keep hair, loose clothing, fingers, and other body parts away from openings and moving parts.
- Turn off all controls before unplugging.
- Use extra care when cleaning on stairs.
- Always turn off this appliance before connecting or disconnecting the motorized floor brush.
- To prevent unintentional starting, ensure the appliance is switched off before installing the battery pack, picking up or carrying the appliance. Do not carry the appliance with your finger on the power switch, doing so may cause accidents.
- Do not use to pick up flammable or combustible liquids, such as gasoline, or use in areas where they may be present.
- Do not pick up anything that is burning or smoking, such as cigarettes, matches, or hot ashes.
- Do not pick up hard or sharp objects such as glass, nails, screws, coins, etc.
- Do not use without the dust collector and/or filters in place.
- Store this appliance indoors, in a cool and dry area.
- Make sure that the outlet voltage corresponds to the voltage rating on the charger's label.
- Do not attempt to repair or disassemble this appliance. There are no userserviceable parts inside. Repair or service must be performed by a qualified repairman and only identical replacement parts can be used. This will ensure the safety of the appliance.
- This appliance includes a rechargeable lithium-ion battery pack. Do not expose the battery pack or appliance to fire or excessive temperature (above 130°C), as it may catch fire and/or explode.
- Do not use a damaged or modified battery pack, as it may catch fire and/or explode.
- Charging, using and storage of the appliance should be within the ambient temperature range of 8-35°C.
- Follow all the charging instructions and do not charge the battery pack out of the temperature range specified in the instructions, otherwise, it may damage the battery and increase the risk of fire.
- Do not attempt to disassemble the battery pack.

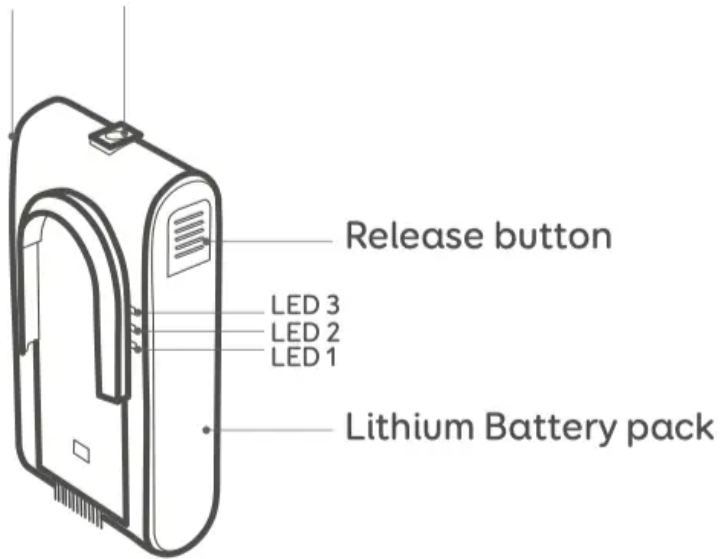
**SAVE THESE INSTRUCTIONS**

# Overview

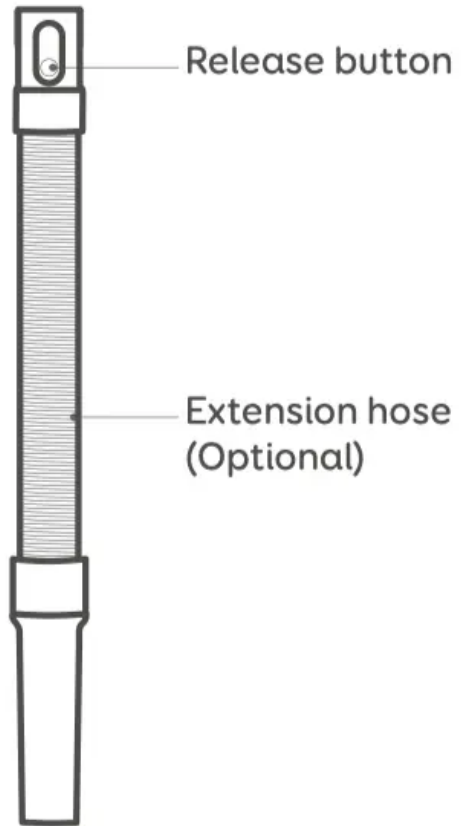
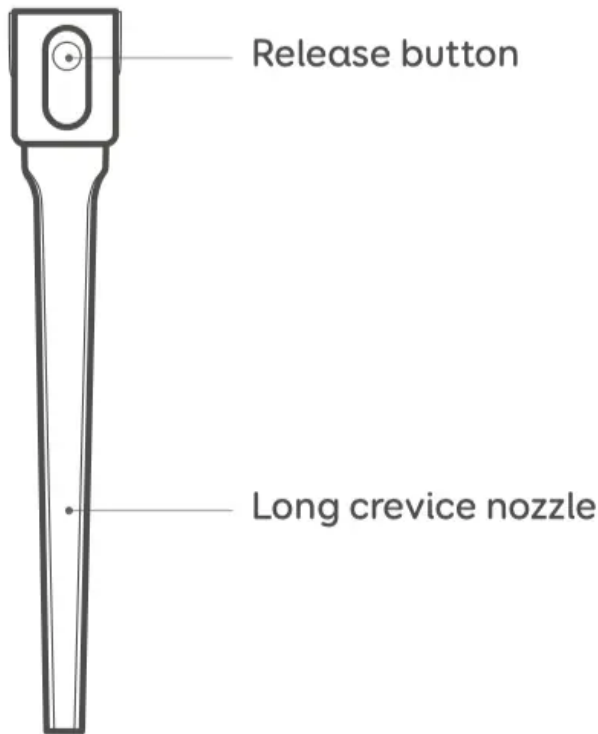
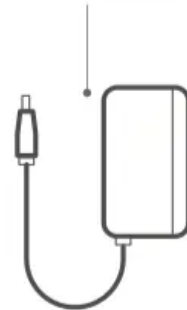




Release button  
Charging socket



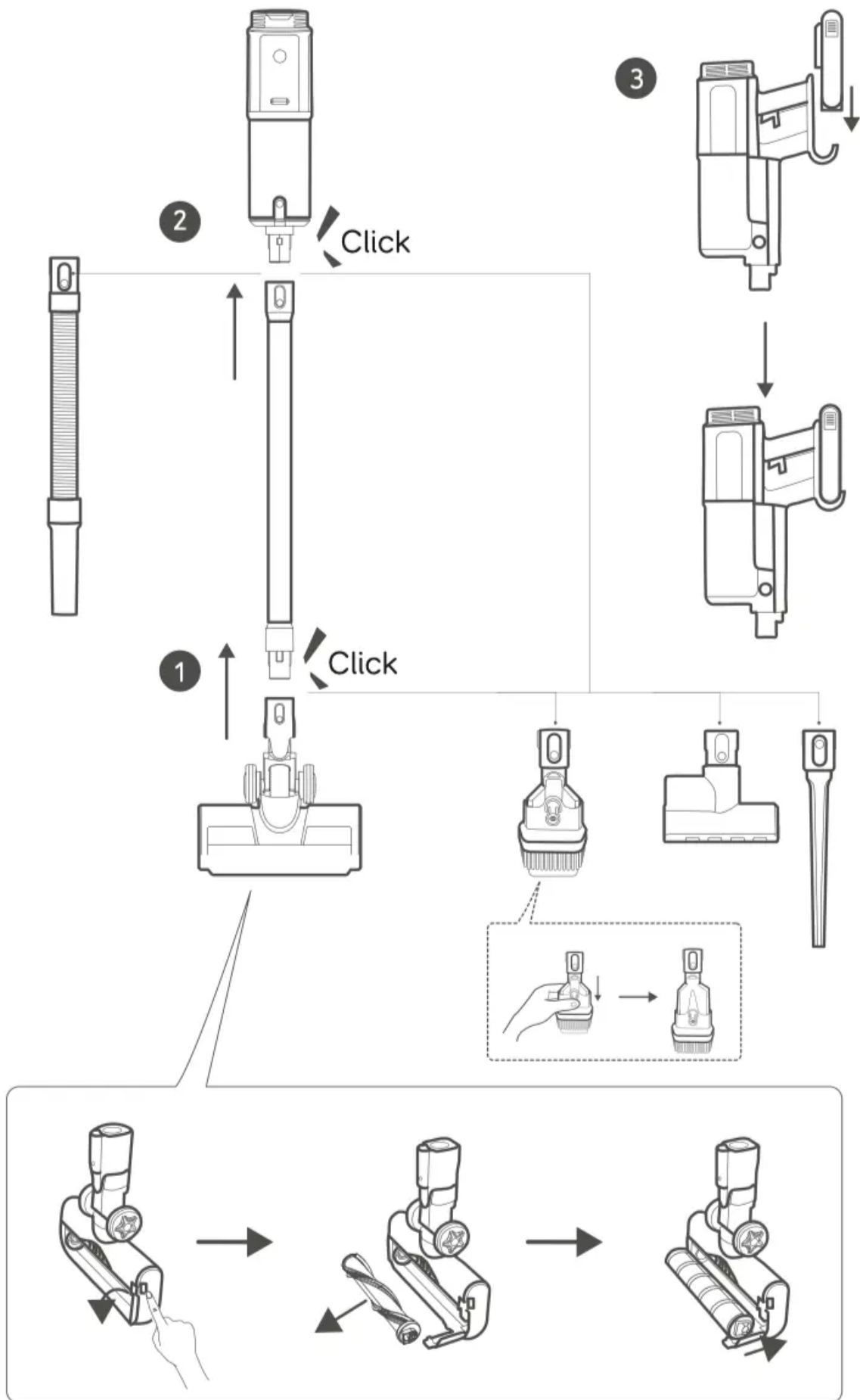
Charging adapter



## Assembling



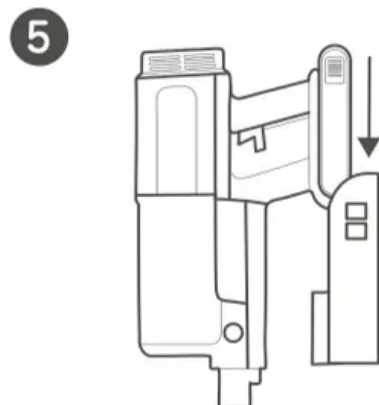
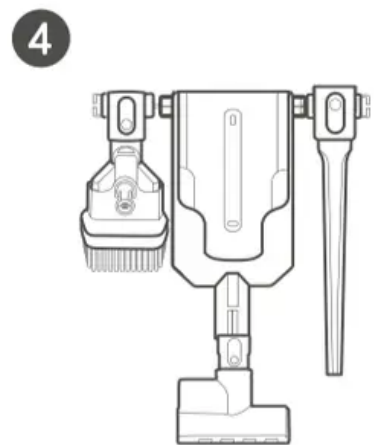
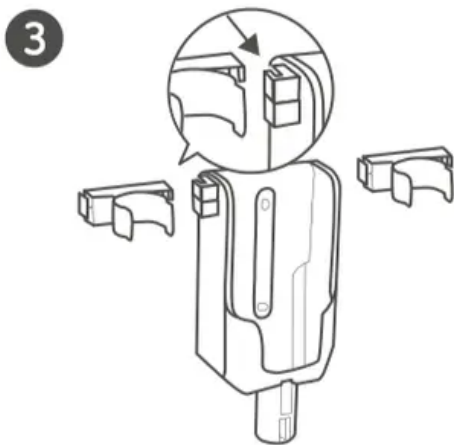
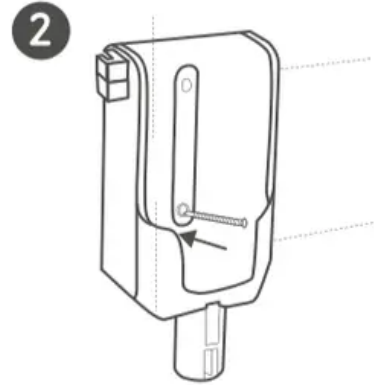
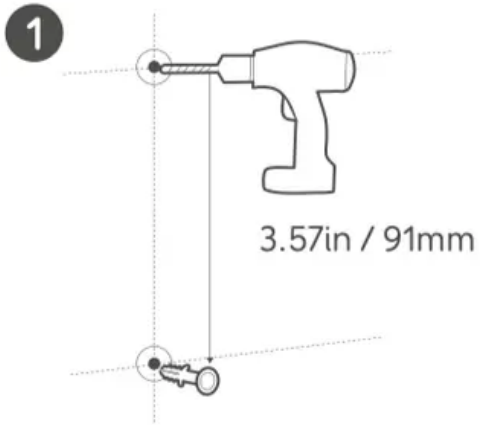
Attach your desired cleaning accessory to the metal tube as illustrated.



## Wall Mounting



The vacuum cleaner cannot stand on its own. Make sure it is mounted securely.

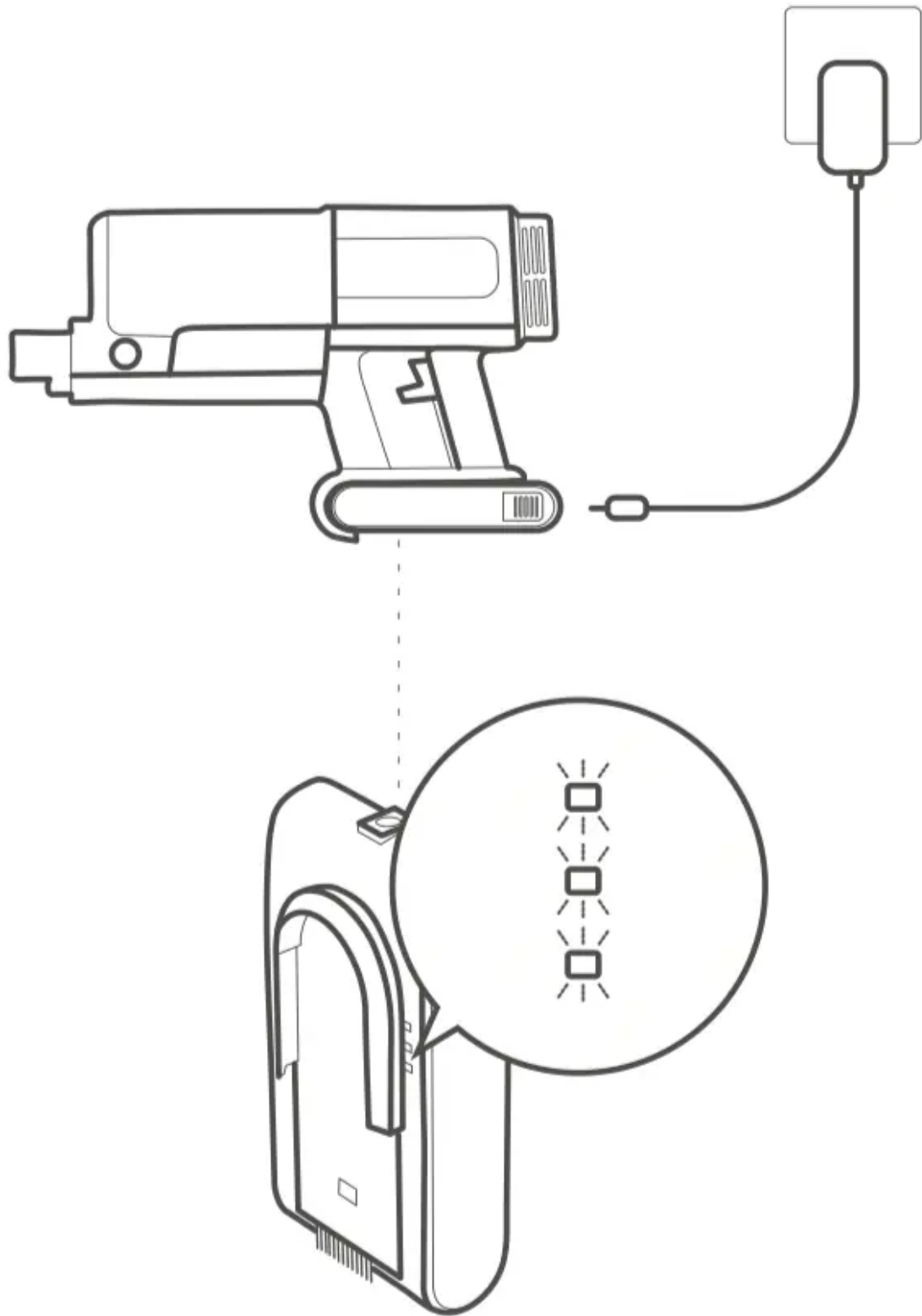


## Recharging



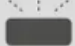
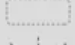

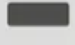


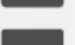
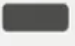
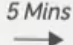

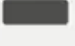
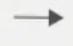

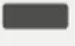
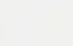

The vacuum cleaner is powered by the built-in lithium battery. Before first use, charge the battery for more than 3.5 hours.



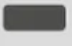
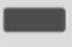
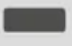


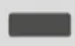


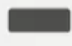

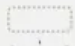

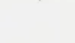





- The vacuum cleaner cannot work while charging.
- The vacuum cleaner cannot be charged when the ambient temperature is above 35o C.



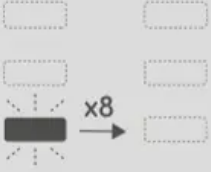
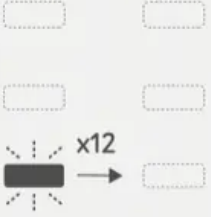
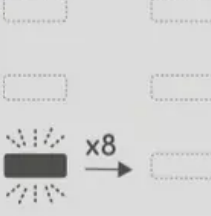
## Lights during charging

  	<p>LED 1: flashing blue Charging, low battery</p>	  	<p>LED 1: solid blue LED 2: flashing blue Charging, medium battery</p>
  	<p>LED 1 &amp; 2: solid blue LED 3: flashing blue Charging, nearly full</p>	        	<p>LED 1 &amp; 2 &amp; 3: solid blue, then off after 5 minutes Fully charged</p>

## Lights during vacuuming

  	<p>LED 1 &amp; 2 &amp; 3: solid blue High battery level</p>	  	<p>LED 1: solid blue Low battery level</p>
  	<p>LED 1 &amp; 2: solid blue Medium battery level</p>	        	<p>LED 1: flashing blue for 8 times, then off Empty, needs charging</p>

## Lights when in trouble

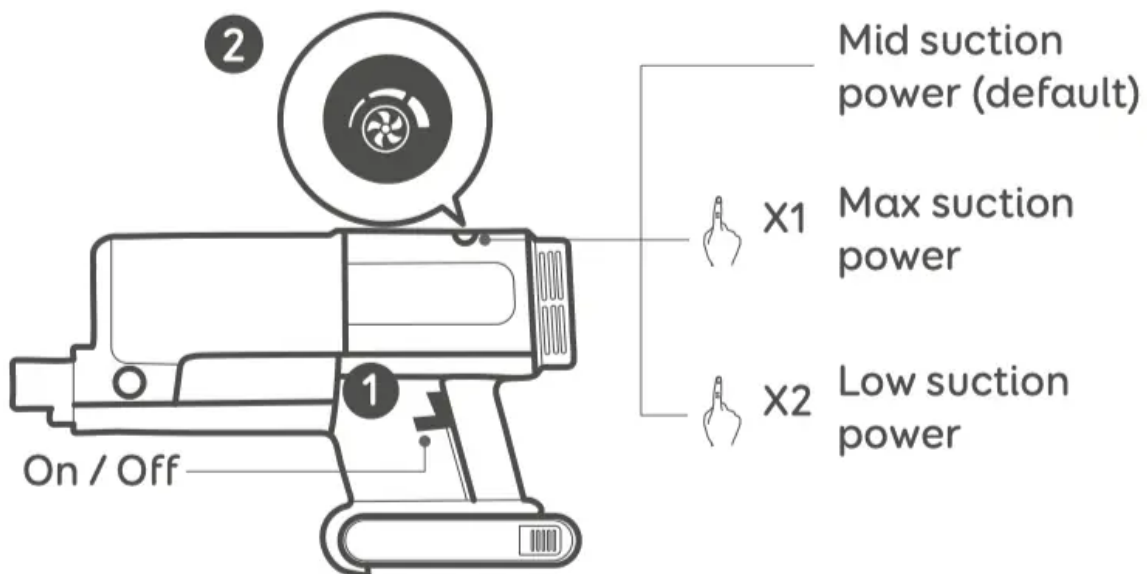
	<p>LED 1: slowly flashing red for 8 times, then off</p>	<p>Overhigh temperature</p>
	<p>LED 1: slowly flashing red for 12 times, then off</p>	<p>Battery fault</p>
	<p>LED 1: quickly flashing red for 8 times, then off</p>	<p>Motor fault</p>

## Using



Before use, make sure that

- the battery is fully charged.
- the dust collector and filters are cleaned, dried, and fixed in place.

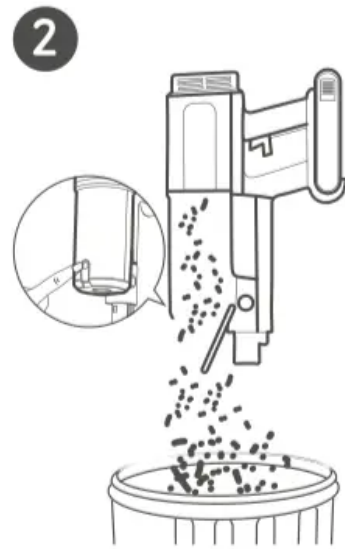
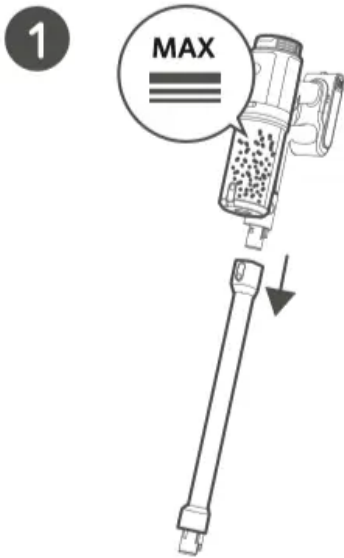




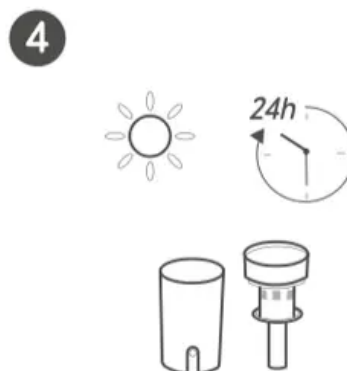
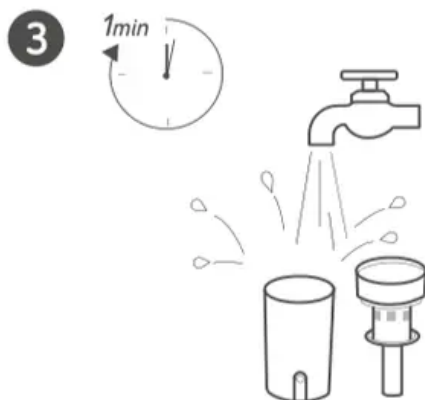
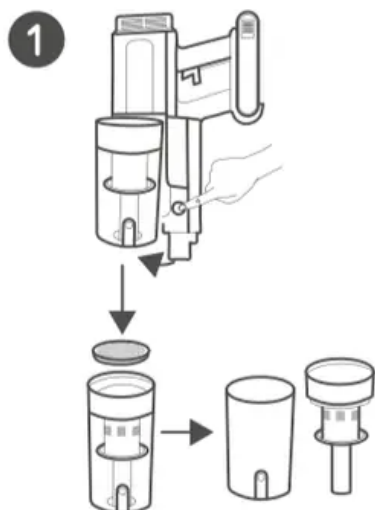
Do not use to clean up water.

## Maintenance

### Empty the Dust Collector

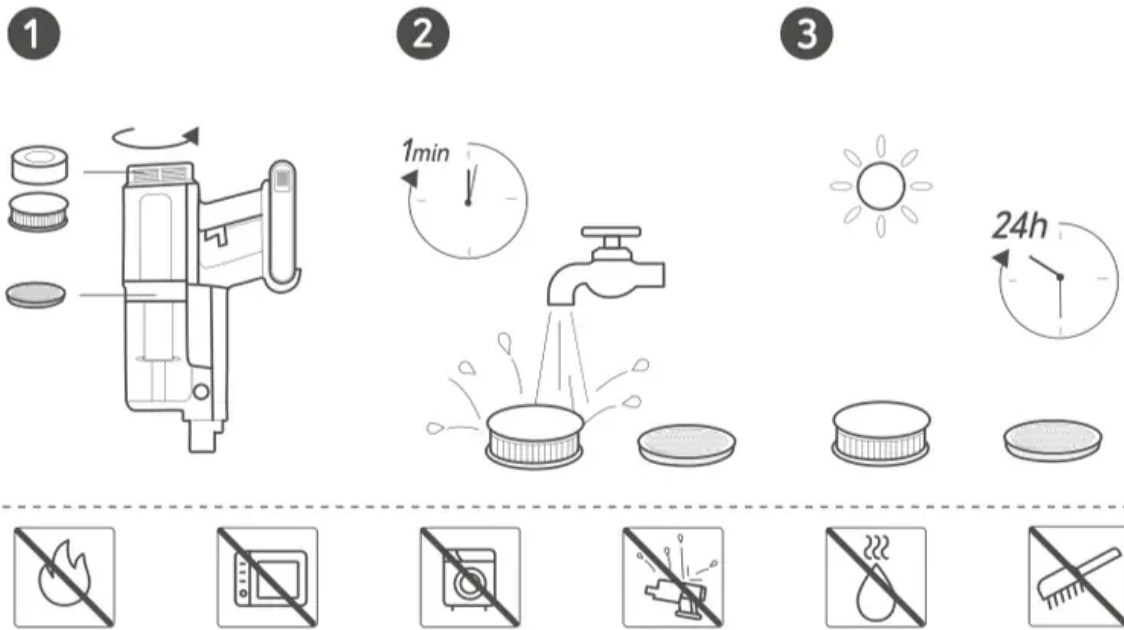


## Clean the Dust Collector



## Clean the Filters

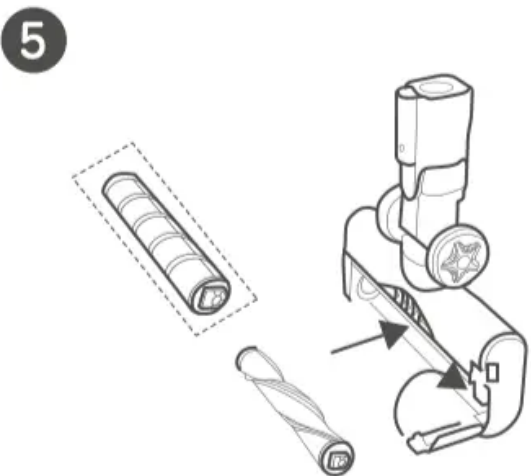
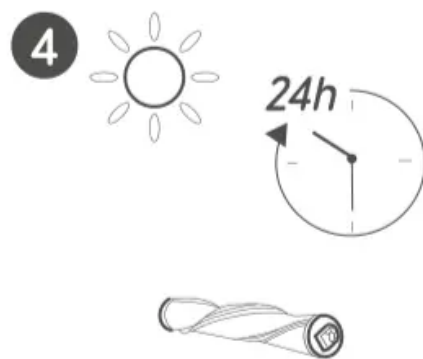
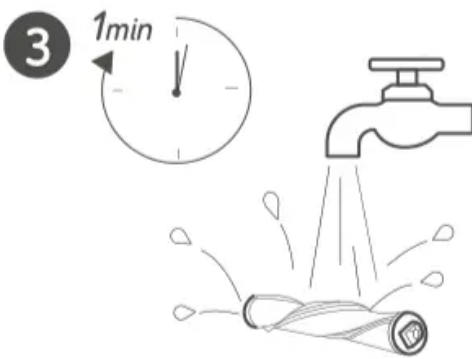
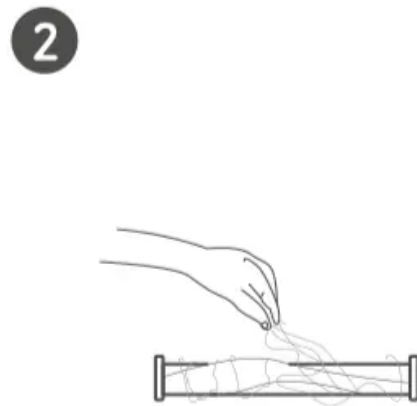
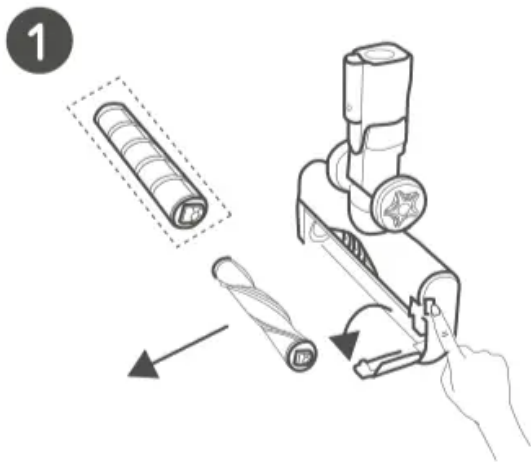
Wash the filters with cold water at least once every month. Ensure the filters are completely dry before reassembly.



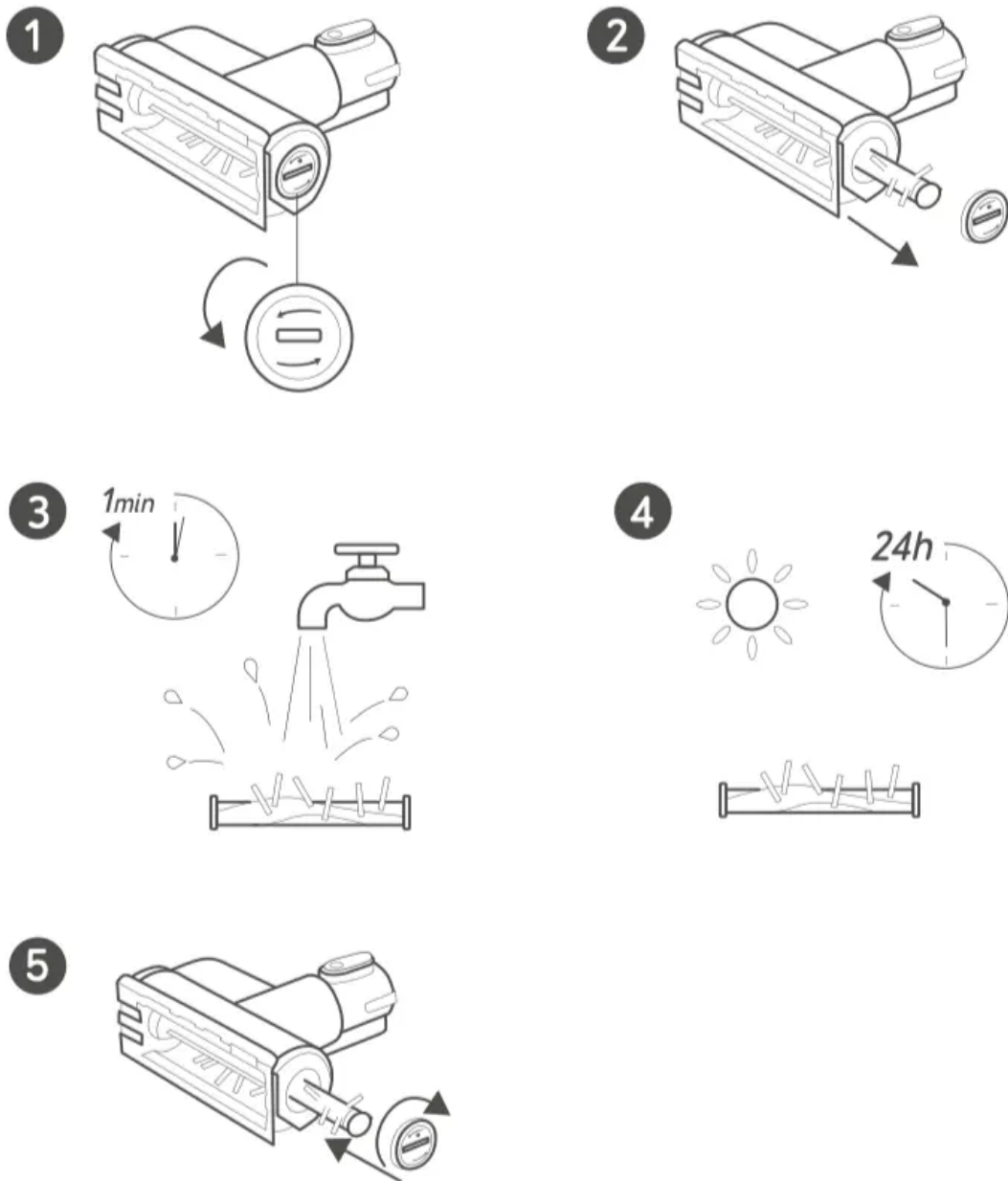
HomeVac Part	Cleaning Frequency	Replacement Frequency
Dust collector	After each use	-
Filter	Once every week (Twice a week if you have a pet)	Every 6 months or after every 50 rounds of cleaning



## Clean the Rolling Brushes



## Clean the Mini Motorized Brush



## Specifications

**Model** T2501

**Charging Input** 30V  0.8A

**Rated Power** 350W

**Running Time** Max. 40 minutes (one battery)

**Battery Cell Capacity** 2500 mAh

**Battery Rating** DC25.2V Li-ion 2500mAh 63Wh

**Charging Time** 3.5 hours

**Warning**

This content is compiled from multiple sources and is provided for reference purposes only. It may not be complete or fully applicable to all situations. If you are unable to resolve your issue, please contact the product manufacturer or an authorized service provider for official support.

---

Document generated by [ManualsFile](#)

