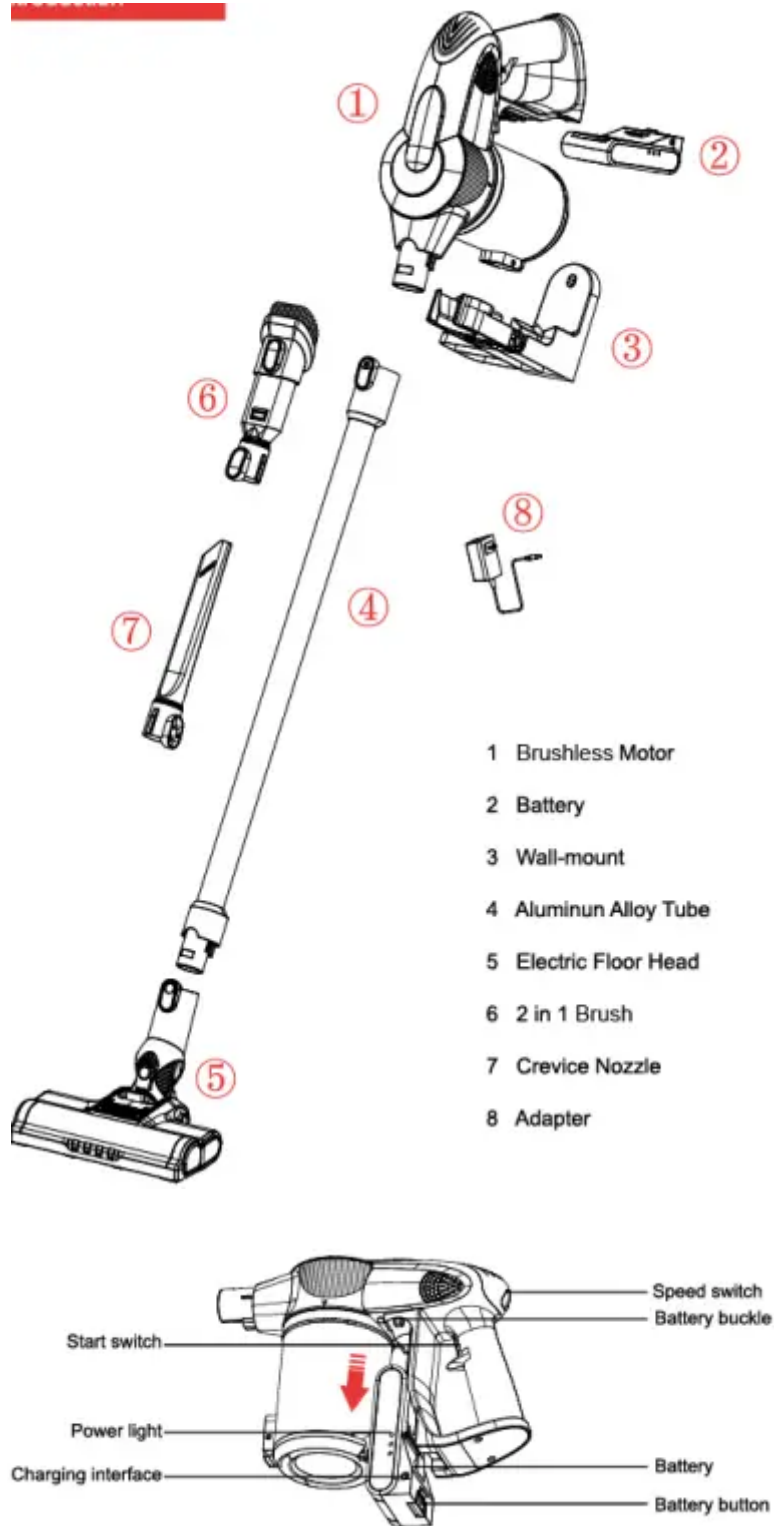
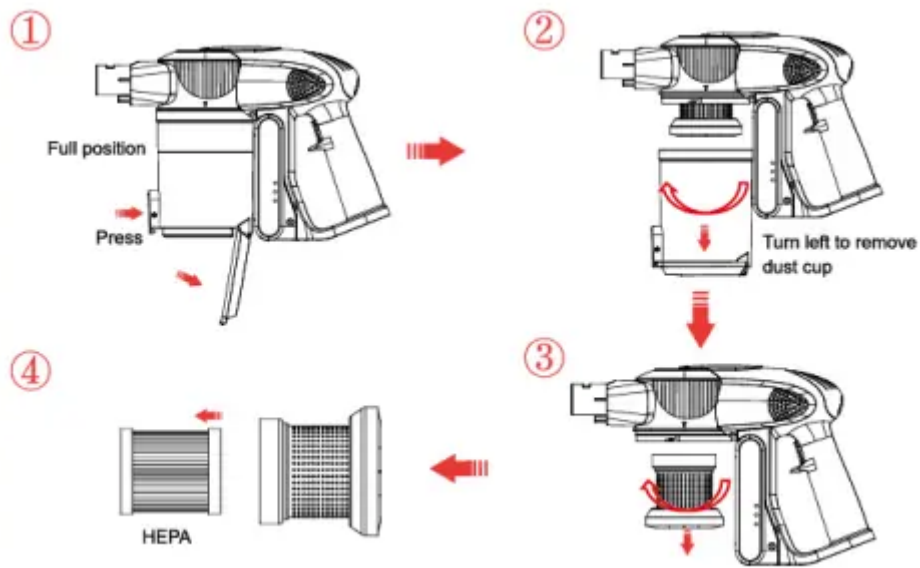


## Product Introduction



## Maintenance



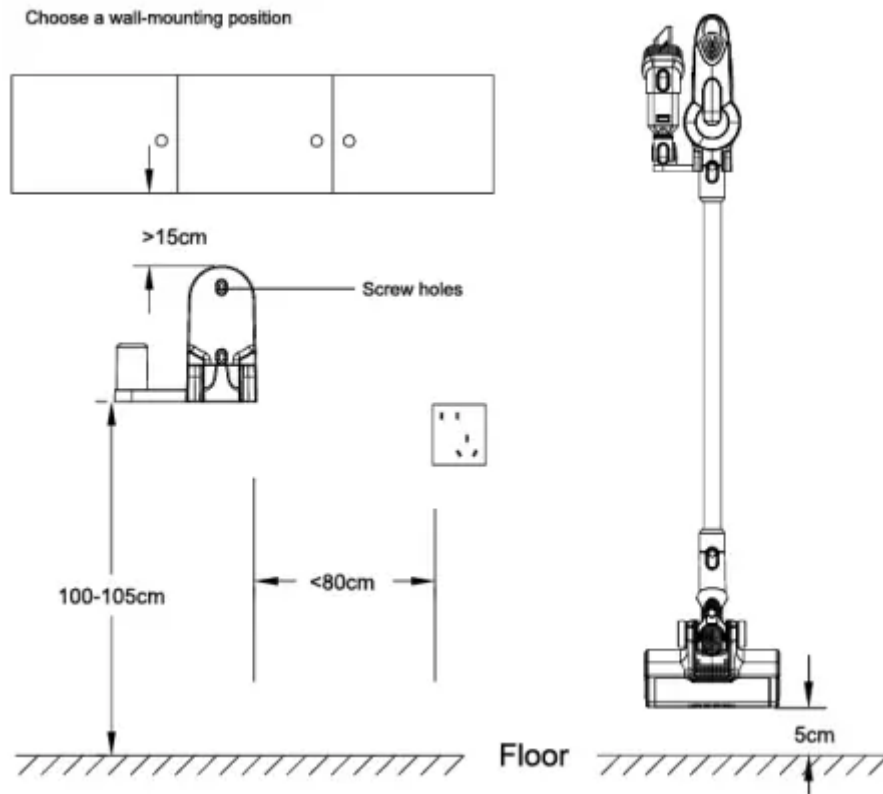
Main unit dust cleaning: To maintain the powerful suction of the vacuum cleaner, please clean up the dust cup after used.

1. Press the button, open the bottom of the dust cup and pour out the dust.
2. Rotate to the left, remove the dust cup, and clean the dust attached to the dust cup and bottom cover.
3. Rotate to the left, remove the filter element, and clean the filter element.
4. The port on the filter element is HEPA, which can be taken out directly for cleaning. HEPA can be washed directly with water.
5. After the parts are fully dried, replace them according to the disassembly steps.

# Electric Floor Head Cleaning



## Wall Mount



## Battery

The battery is not charged when leaving the factory, please be sure to fully charge the battery before use.

1. Put the Main Motor on a horizontal table.
2. The adapter Connection socket and battery begins to charge, the power light to start flashing, 3 lights are always on when fully charged

## Cleaning

To avoid blocking the air duct, please clean up large pieces of garbage in the area first, such as large pieces of paper, packaging films, etc.

1. Press the "start switch " to start cleaning, Switch indicator is on
2. Once again "start switch " stop cleaning, the switch indicator is off
3. When the machine working, press the " speed switch "can select high speed or standard speed.
4. When the machine working, 3 lights are on, if only 1 light is on, please pay attention to timely charge.

5. This floor head has an LED indicator, the light is on to make it easy to find and clean up the ground rubbish.

## Troubleshooting

Abnormal	Possible	Causes
Electric floor head does not work	<ol style="list-style-type: none"> <li>1. Involved in large garbage (packaging film, etc.)</li> <li>2. Electric floor head tangled with hair</li> </ol>	Clean up trash
Shorter run times	<ol style="list-style-type: none"> <li>1. Battery aging</li> <li>2. Using ambient temperature is too high or too low</li> <li>3. The battery is not fully charged</li> </ol>	<ol style="list-style-type: none"> <li>1. Contact shop or buy battery after sale</li> <li>2. Use in a suitable environment</li> <li>3. Please charge</li> </ol>
Weak Suction	<ol style="list-style-type: none"> <li>1. Too much dust in the dust cup</li> <li>2. Dust cup filter cotton clogged</li> <li>3. Floor head or accessory suction blocked</li> <li>4. Not fully dried after washing</li> </ol>	<ol style="list-style-type: none"> <li>1. Clean up trash in a timely manner</li> <li>2. Cleaning filter</li> <li>3. Clear the blockage</li> <li>4. After washing the parts, dry them in a cool place</li> </ol>
Unable to charge	The ambient temperature is too high or too low during charging	Charge the machine in a suitable temperature environment (41T-104T)
Battery leak	Battery has not been used for a long time	Replacement battery

## Safety Instructions

This product can only be used with the original power adapter installed. If other adapters are used, the product may be damaged.

1. Do not touch the power cord, socket or power adapter when your hands are wet.

2. Do not let cloth curtains, II kinds of entangled substances or user's body parts get into the product driving wheel.
3. Do not place this product near cigarette butts, lighters or other open flames.
4. Do not bend the wires in transition, or sharp objects on the machine.
5. This product is an indoor household product. Do not use it outdoors.
6. This product is forbidden to weigh more than 10Kg (person).
7. Do not use this product in a humid environment (such as a bathroom), do not suck liquid.
8. Before using this product, please remove all fragile items on the floor (such as glasses, lamps) and items that may entangle the floor head and suction channels (such as wires, paper, curtains).
9. Remove the battery from the machine before discarding this product.

## Product Technical Parameters

Model number	G201
Battery output	22.2V
Rated power	200W
Input	100-240V/50-60Hz
Output	26.5V/500mA
Mode	
-Standard	9Kpa/33 mins
-High	21Kpa/15 mins
Charging time	4.5h

### WARNING

1. In removing the battery, the product must be off.
2. Do not use and store the battery in the environment below 41°F and above 104°F.
3. When disposing of this product, please remove the battery from the whole machine
4. It is strictly forbidden to modify the whole machine, accessories and replace the power supply or battery.
5. Do not mount the wall on a weak wall such as gypsum board or a board with a thickness of less than 10mm.
6. Do not install on metal wall to prevent fire or electric shock due to leakage.
7. Make sure the wall where the wall mount is installed is not uneven.

8. Please avoid installing the wall mount in a high temperature above 104°F or a low temperature below 41°F
9. Make sure that the installation location does not penetrate the pipes and wiring such as air pipes and water pipes on the back of the wall.
10. Please make sure that the floor head will not touch the ground when the machine is hung on the bracket after installation
11. Do not apply brute force to the wall mount.
12. When storing, please replace the extension tube and the floor head. Do not run it when it is placed.
13. Do not place the accessory brush on the wall-mounted with the extension brush connected.
14. Do not allow other objects to touch the floor head or extension tube during storage. Regularly confirm whether the wall mount is stable. Please re-tighten the screws when they are loose.

#### **Warning**

This content is compiled from multiple sources and is provided for reference purposes only. It may not be complete or fully applicable to all situations. If you are unable to resolve your issue, please contact the product manufacturer or an authorized service provider for official support.