

## Use & Care Beverage Cooler

### INSTALLATION

This Use & Care Guide provides general operating instructions for your model. Use the appliance only as instructed in this Use & Care Guide. Before starting the appliance, follow these important first steps.

#### Location

- Choose a place that is near a grounded electrical outlet. Do Not use an extension cord or an adapter plug.
- For optimal performance, it is recommended that you install the appliance where the ambient temperature is between 70 and 78 degrees Fahrenheit.
- Allow space around the unit for good air circulation. Leave a 2 inch space on the back and sides of the wine cooler for adequate circulation.
- Be sure the appliance stays in the upright position during transport.
- Keep the appliance from any hazardous or combustible agents.

NOTE: The exterior walls of the beverage cooler may become quite warm as the compressor works to transfer heat from the inside. Temperatures as much as 30° F warmer than room temperature can be expected. For this reason it is particularly important in hotter climates to allow enough space for air circulation around your appliance.

#### Leveling

- The beverage cooler must have all bottom corners resting firmly on solid floor. The floor must be strong enough to support a fully loaded beverage cooler. NOTE: It is Very Important for your appliance to be level in order to function properly. If the appliance is not leveled during installation, the door may be misaligned and not close or seal properly, causing cooling, frost, or moisture problems.

#### To Level Your Beverage Cooler:

- After removing all interior and exterior packaging materials, use a carpenter's level to level the beverage cooler from front-to-back. Adjust the leveling legs in front, ½ bubble higher, so that the door closes easily when left halfway open.

#### Cleaning

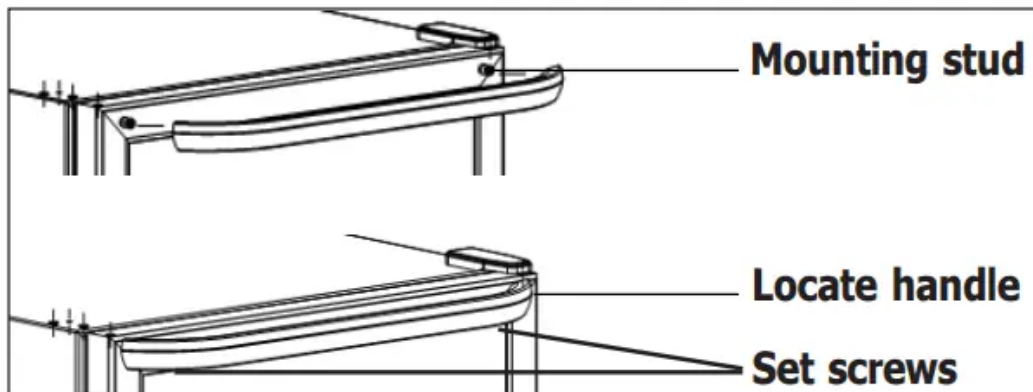
- Wash any removable parts of the beverage cooler interior, and exterior with mild detergent and warm water. Wipe dry. Do not use harsh cleaners on these surfaces.

- Do not use razor blades or other sharp instruments, which can scratch the appliance surface when removing adhesive labels. Any glue left from the tape can be removed with a mixture of warm water and mild detergent, or touch the residue with the sticky side of tape already removed. Do not remove the serial plate.

Important Safeguards: Do not store food in your wine cooler as interior temperature may not get cool enough to prevent spoilage. In summer months or areas of high humidity, the glass door may build up moisture. To remove the moisture, wipe it away.

## Handle Installation

1. Place handle over the two mounting studs located at top of door.
2. Use hex head screw driver or Allen wrench to tighten set screws from bottom to secure handle to door.

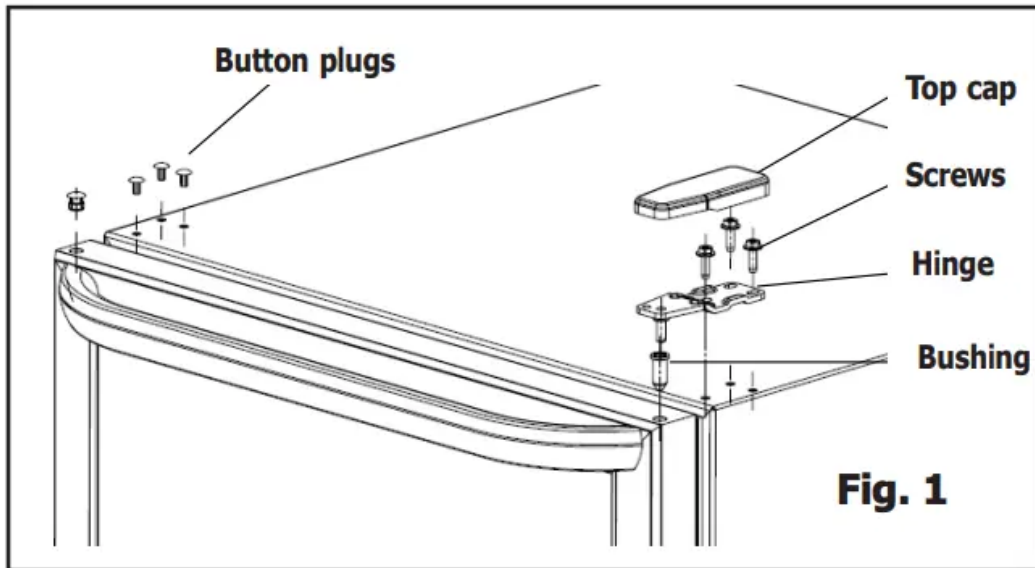


## Reversing the door swing

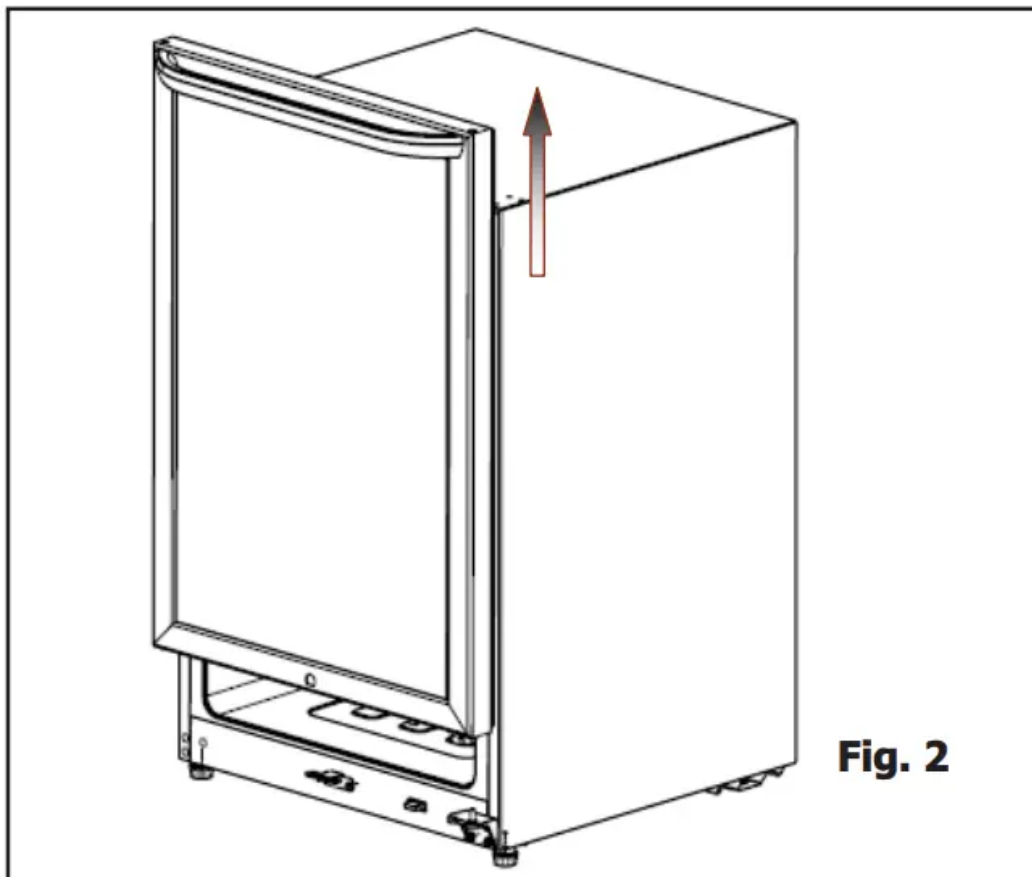
The glass door can be opened from left to right and vice versa. Should you desire to change the opening direction, please follow these instructions.

NOTE: All parts removed must be saved to do the reinstallation of the door.

1. Remove top cap. Remove the three screws that hold the upper hinge (right side) to the top of the cabinet. See Fig. 1.



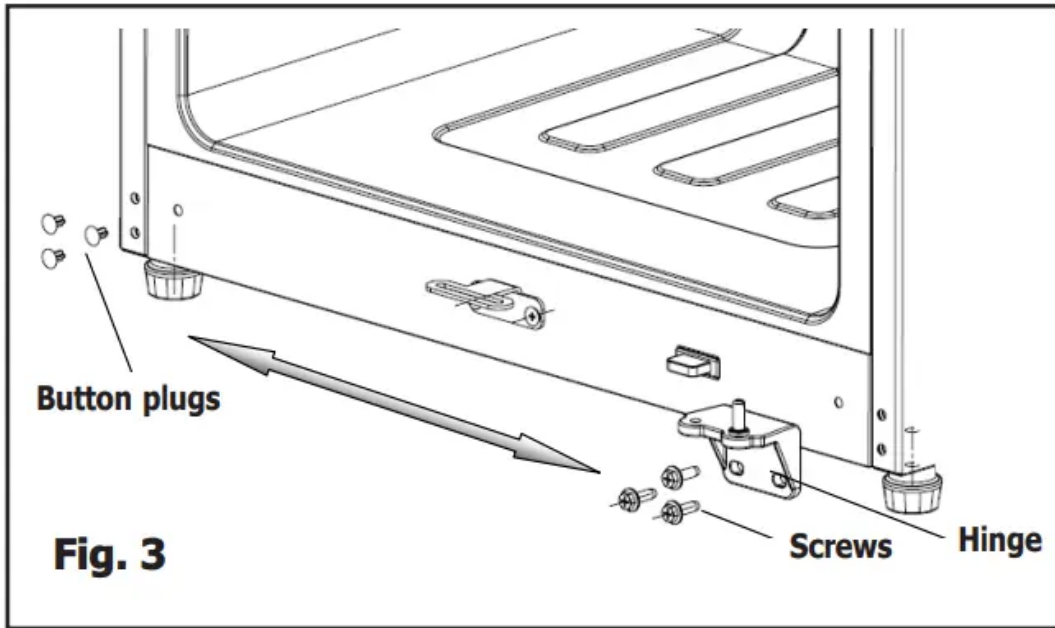
2. Carefully remove top hinge (See Fig. 1.), then lift the door up off of bottom hinge and place it on a padded surface to prevent scratching it. See Fig. 2.



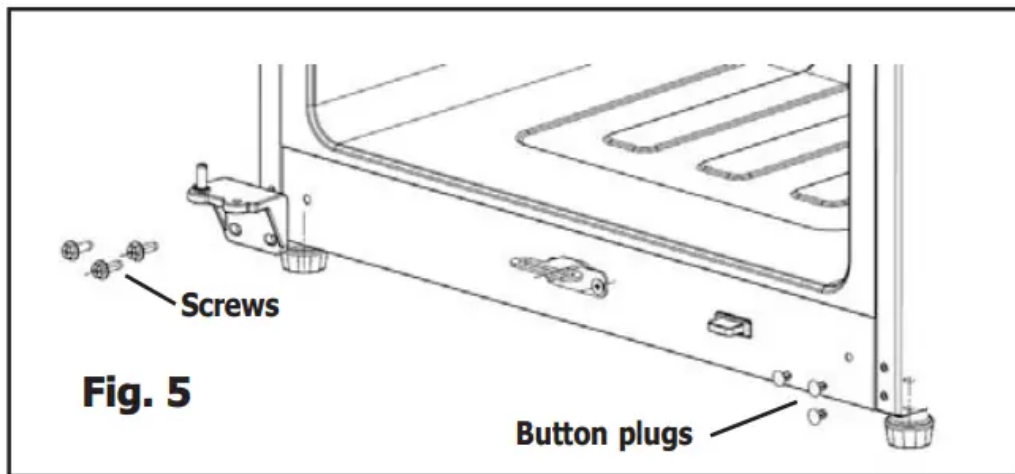
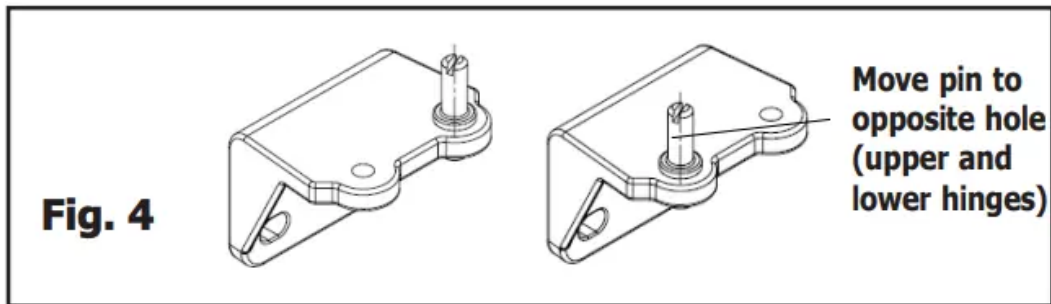
3. Remove the three button plugs from the upper left corner of the cabinet and transfer them to the holes on the opposite side. Be sure to press the button plugs firmly into the holes. See Fig. 1.



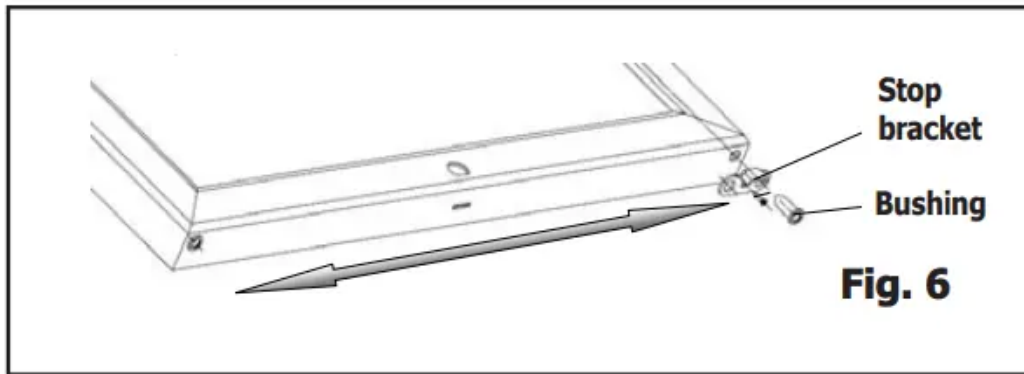
4. Remove three screws that hold the bottom hinge to lower end of cabinet. Remove the three button plugs from lower LH corner and transfer to holes where bottom hinge was just removed. See Fig. 3.



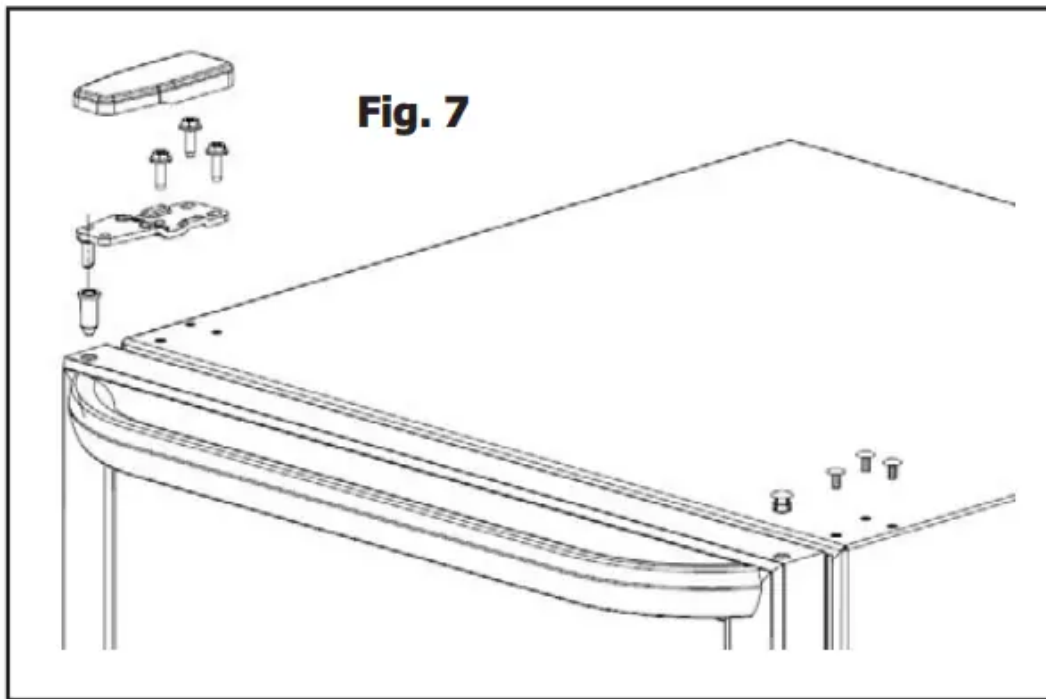
5. Unscrew pins from both hinges and transfer to threaded hole on opposite side. See Fig. 4. Re-install bottom hinge in LH corner of cabinet using same three screws removed in Step 4.



6. On bottom edge of door, transfer door stop bracket and bushing to holes on opposite side. See Fig. 6.



7. On top edge of door, transfer the button plugs and bushing to hole on opposite side. See Fig. 7.



8. Place bottom LH corner of door onto lower hinge, then install top hinge to cabinet. Make sure door is level and it seals properly against cabinet, then securely fasten three screws. See Fig. 7. Snap top cap back onto hinge.

## ENERGY SAVING TIPS



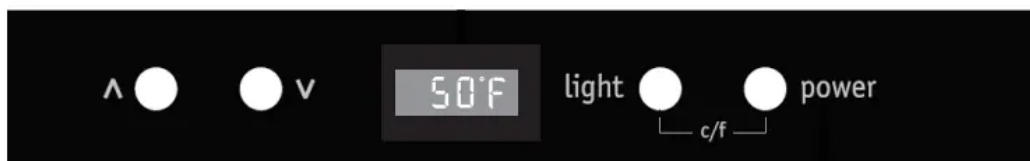
- Install the beverage cooler in the coolest part of a dry and ventilated room, out of direct sunlight and away from heating ducts or registers. Do not place the beverage cooler next to heatproducing appliances such as a range, oven or dishwasher.
- Level the beverage cooler so the door close tightly.
- Do not over crowd the beverage cooler or block cold air vents. Doing so causes the beverage cooler to run longer and use more energy. Shelves should not be lined with aluminum foil, wax paper or paper toweling. Liners interfere with cold air circulation, making the beverage cooler less efficient.
- Wipe containers dry before placing them in the beverage cooler. This cuts down on moisture build-up inside the unit.
- Organize the beverage cooler to reduce door openings. Remove as many items as needed at one time and close the door as soon as possible.


## TEMPERATURE CONTROLS


### Cool Down Period

- For best performance, allow 4 hours for the wine/beverage cooler to cool down completely. The wine/beverage cooler will run continuously for the first several hours.

### Temperature Control



-  Press this button once to increase temperature 1° F/C.

-  Press this button once to decrease temperature 1° F/C.

1. The beverage cooler can be operated by adjusting the temperature control buttons (up arrow and down arrow) to the various settings.

2. The new desired temperature will flash on the display for a few seconds and then switch back to the actual temperature which will gradually change until setpoint is reached.

The temperature range MIN and MAX is 33° - 50°F (1° - 10°C).



## Temperature display

### Temperature display

- Light: This button turns the light ON and OFF.
- Power: This button turns the power ON and OFF.
- Press both Light and Power buttons at the same time to change between Fahrenheit and Celsius temperatures.
  - The default temperature for the beverage cooler is 41°F (5°C). The temperature after power failure will be the temperature set before the power failure.
  - To prolong the life of compressor, please wait for at least 5 minutes before the unit is restarted after power failure.
- Failure display
  - If “E” and “F” are displayed, please contact local service personnel for repair.
  - If the temperature in the cooler is too low, it will display “L”.
  - If the temperature in the cooler is too high, the screen will display “H” and will flash. Under this state, the buzzer will buzz for 30 seconds. One minute later, the buzzer will continue to buzz for the next 30 seconds. After three times, the alarm will not buzz any more. You can press any key to cancel sound alarm.
  - Storing too many cans or bottles in the cooler may cause the temperature in the cooler to rise temporarily.

## FEATURES

### Adjustable Interior Shelves

- Multi-position adjustable interior shelves can be moved to any position for larger or smaller packages. The shipping spacers that stabilize the shelves for shipping should be removed and discarded. The Beverage Cooler comes equipped with three glass shelves.

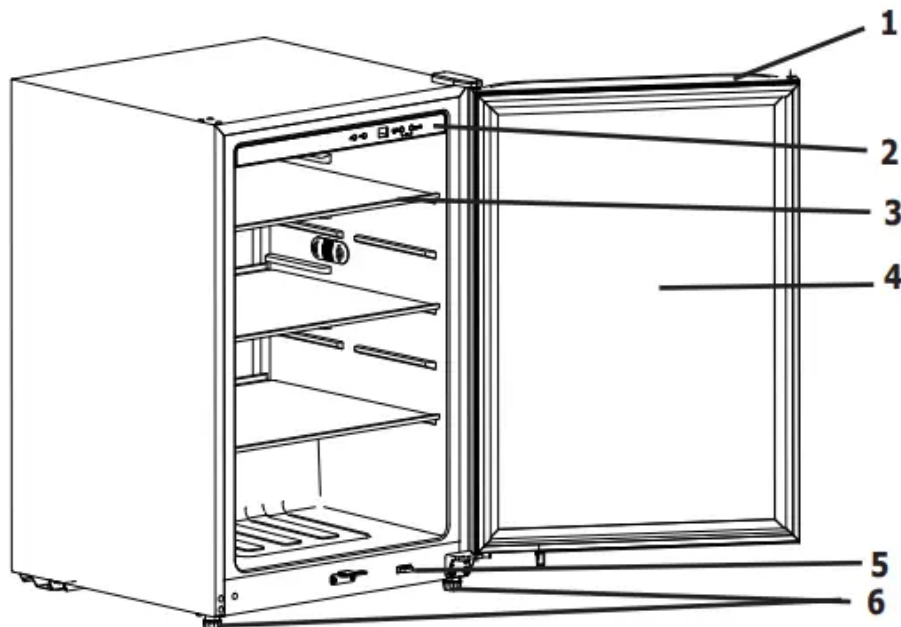
## Interior Light (Some models)

- The light comes on automatically when the door is opened. The light can also be turned on and off by pressing the “Light” button on the control panel. Press the button twice to keep the light on when the door is closed.

## Door Lock

- This unit is equipped with a lock near the bottom of the door. Two keys are provided. Keep the keys out of reach of children.

## CARE AND CLEANING



### Beverage Cooler

1. Handle
2. Control panel
3. Glass shelves
4. Glass door
5. Light switch
6. Adjustable legs

### Cleaning the beverage cooler

- Before cleaning, turn the temperature control to OFF, unplug the beverage cooler and remove the bottles.

- Clean your beverage cooler once every two months.

Inside: Wash inside surfaces of the beverage cooler with a solution of two tablespoons of baking soda in one quart (1.136 liters) warm water. Rinse and dry. Wring excess water out of the sponge or cloth when cleaning in the area of the controls, or any electrical parts.

Wash the removable parts with the baking soda solution mentioned above, or mild detergent and warm water. Rinse and dry. Never use metallic scouring pads, brushes, abrasive cleaners, or alkaline solutions on any surface. Do not wash removable parts in a dishwasher.

Outside: Wash the cabinet with warm water and mild liquid detergent. Rinse well and wipe dry with a clean soft cloth.

## Care of plastic parts

- Be sure and protect the door gasket. It should be kept clean at all times.
- If the plastic parts in the beverage cooler remain contaminated by oil (animal or vegetable) for a long period of time, they will age and crack easily. Please clean them on a regular basis.

## Vacation and Moving Tips

**Vacations:** If the beverage cooler will not be used for several months:

- Remove all wine bottles and unplug the power cord.
- Clean and dry the interior thoroughly.
- Leave the wine cooler door open slightly, blocking it open if necessary, to prevent odor and mold growth.

**Moving:** When moving the beverage cooler, follow these guidelines to prevent damage:

- Disconnect the power cord plug from the wall outlet.
- Remove wine bottles and clean the beverage cooler.
- Secure all loose items by taping them securely in place to prevent damage.
- In a moving vehicle, secure the beverage cooler in an upright position to prevent movement. Also, protect the outside of the beverage cooler with a blanket or similar item.

**WARNING:** If leaving the beverage cooler door open while on vacation, make certain that children cannot climb inside and become entrapped.

## Troubleshooting

BEFORE YOU CALL

PROBLEM	CAUSE	CORRECTION
<b>WINE COOLER OPERATION</b>		
<b>Beverage Cooler does not run.</b>	<ul style="list-style-type: none"> <li>• Appliance is plugged into a circuit that has a ground fault interrupt.</li> <li>• Temperature control is in the OFF position.</li> <li>• Appliance may not be plugged in, or plug may be loose.</li> <li>• House fuse blown or tripped circuit breaker.</li> <li>• Power outage.</li> </ul>	<ul style="list-style-type: none"> <li>• Use another circuit. If you are unsure about the outlet, have it checked by a certified technician.</li> <li>• See Setting the Temperature Control section.</li> <li>• Ensure plug is tightly pushed into outlet.</li> <li>• Check/replace fuse with a 15 amp time delay fuse. Reset circuit breaker.</li> <li>• Check house lights. Call local Electric Company</li> </ul>
<b>Beverage Cooler runs too much or too long.</b>	<ul style="list-style-type: none"> <li>• Room or outside weather is hot.</li> <li>• Appliance has recently been disconnected for a period of time.</li> <li>• Door is opened too frequently or too long.</li> </ul> <p>Door may be slightly open.</p> <p>Temperature control is set too low.</p> <p>Door gasket is dirty, worn, cracked, or poorly fitted.</p>	<ul style="list-style-type: none"> <li>• It's normal for the appliance to work harder under these conditions.</li> <li>• It takes 4 hours for the Appliance to cool down completely.</li> <li>• Warm air entering the appliance causes it to run longer.</li> </ul> <p>Open doors less often.</p> <p>See <b>“DOOR PROBLEMS”</b> section.</p> <p>Turn control knob to a warmer setting. Allow several hours for the temperature to stabilize.</p> <p>Clean or change gasket. Leaks in the door seal cause appliance to run longer in order to maintain desired temperature.</p>
<b>Interior temperature is too cold.</b>	<ul style="list-style-type: none"> <li>• Temperature control is set too low.</li> </ul>	<ul style="list-style-type: none"> <li>• Turn the control to a warmer setting. Allow several hours for the temperature to stabilize.</li> </ul>
<b>Interior temperature is too warm.</b>	<ul style="list-style-type: none"> <li>• Temperature control is set too warm.</li> <li>• Door is opened too frequently or too long.</li> <li>• Door may not be seating properly.</li> </ul>	<ul style="list-style-type: none"> <li>• Turn control to a colder setting. Allow several hours for the temperature to stabilize.</li> <li>• Warm air entering the appliance causes it to run longer.</li> <li>• Open doors less often.</li> <li>• See <b>“DOOR PROBLEMS”</b> section.</li> </ul>

	<p>Large amounts of warm or hot food has been stored recently. Appliance has recently been disconnected for a period of time.</p>	<p>Warm food will cause Beverage Cooler to run until the desired temperature is reached.</p> <p>It takes 4 hours for the appliance to cool down completely.</p>
<p><b>External surface temperature is warm.</b></p>	<ul style="list-style-type: none"> <li>The external walls can be as much as 30°F warmer than room temperature.</li> </ul>	<ul style="list-style-type: none"> <li>This is normal while the compressor works to transfer heat from inside the cabinet.</li> </ul>
<p><b>SOUND AND NOISE</b></p>		
<p><b>Louder sound levels when wine cooler is on.</b></p>	<ul style="list-style-type: none"> <li>Modern beverage coolers have increased storage capacity and more stable temperatures. They require a high efficiency compressor</li> </ul>	<ul style="list-style-type: none"> <li>This is normal. When the surrounding noise level is low, you might hear the compressor running while it cools the interior.</li> </ul>
<p>Longer sound levels when compressor comes on.</p>	<ul style="list-style-type: none"> <li>Appliance operates at higher pressures during the start of the ON cycle.</li> </ul>	<ul style="list-style-type: none"> <li>This is normal. Sound will level off or disappear as refrigerator continues to run.</li> </ul>
<p>Fan runs when room temperature is below 45°.</p>	<ul style="list-style-type: none"> <li>Exterior thermostat has activated the heater or fan.</li> </ul>	<ul style="list-style-type: none"> <li>This is normal.</li> </ul>
<p>Popping or cracking sound when compressor comes on.</p>	<ul style="list-style-type: none"> <li>Metal parts undergo expansion and contraction, as in hot water pipes.</li> </ul>	<ul style="list-style-type: none"> <li>This is normal. Sound will level off or disappear as Beverage Cooler continues to run.</li> </ul>
<p>Boiling or gurgling sound, like water boiling.</p>	<ul style="list-style-type: none"> <li>Refrigerant is circulating throughout the system.</li> </ul>	<ul style="list-style-type: none"> <li>This is normal.</li> </ul>



Vibrating or rattling noise.	<ul style="list-style-type: none"> <li>• Appliance is not level. It rocks on the floor when it is moved slightly.</li> </ul>	<ul style="list-style-type: none"> <li>• Level the unit. Refer to leveling instructions in the “Installation” section.</li> </ul>
Snapping sound.	<ul style="list-style-type: none"> <li>• Cold control turning the Wine Cooler OFF and ON.</li> </ul>	<ul style="list-style-type: none"> <li>• This is normal.</li> </ul>
WATER/MOISTURE/FROST INSIDE BEVERAGE COOLER		
Moisture forms on inside walls.	<ul style="list-style-type: none"> <li>• Weather is hot and humid.</li> <li>• Door may not be seating properly</li> <li>• Door is kept open too long, or opened too frequently.</li> </ul>	<ul style="list-style-type: none"> <li>• This is normal.</li> <li>• See “DOOR PROBLEMS” section.</li> <li>• Open the door less often.</li> </ul>
WATER/MOISTURE/FROST OUTSIDE BEVERAGE COOLER		
Moisture forms on outside of Beverage Cooler.	<ul style="list-style-type: none"> <li>• Door may not be seating properly, causing the cold air from inside the beverage cooler to meet warm moist air from outside.</li> </ul>	<ul style="list-style-type: none"> <li>• See “DOOR PROBLEMS” section.</li> </ul>
ODOR IN BEVERAGE COOLER		
Odors in Beverage Cooler.	<ul style="list-style-type: none"> <li>• Interior needs to be cleaned.</li> </ul>	<ul style="list-style-type: none"> <li>• Clean interior with sponge, warm water and baking soda.</li> </ul>
DOOR PROBLEMS		



Door will not close.	<ul style="list-style-type: none"><li>• Appliance is not level. It rocks on the floor when it is moved slightly.</li></ul>	<ul style="list-style-type: none"><li>• This condition may force the cabinet out of square and misalign the door. Refer to “Leveling” in the “Installation” section.</li></ul>
----------------------	--	--

**Warning**

This content is compiled from multiple sources and is provided for reference purposes only. It may not be complete or fully applicable to all situations. If you are unable to resolve your issue, please contact the product manufacturer or an authorized service provider for official support.

