

OPERATING YOUR MICROWAVE OVEN

Settings

Clock

The clock is a 12 hour (12:00-11:59) clock. Touch CLOCK, enter time, then touch CLOCK or the Start control.

Timer

With the microwave oven in Standby mode, touch the Timer control, enter time, then touch the Timer control or the Start control. Cook functions may be entered while the Timer is counting down. To cancel timer, touch Timer control while the Timer countdown is active in the display.

Vent Fan

Press the Vent Fan keypad once for High setting. You may press this keypad repeatedly and choose a different speed. There are three available speeds HIGH("HI")--->MEDIUM("H-L")--->LOW("LO")--->OFF. Choose the speed you want.

To keep the microwave oven from overheating, the auto hood fan will automatically turn on at high speed if the temperature from the range or cooktop below the microwave oven gets too hot. When this occurs, the hood fan cannot be turned off.

Vent Light

Pressing Vent Light keypad adjusts the vent light setting among HIGH("HI") -> LOW("LO") -> OFF.

Control Lock

Activate to avoid unintended start. Touch and hold the Cancel keypad for about 3 seconds until 2 tones sound and the CONTROL LOCKED appears in the display. When locked, touching any button on the keyboard (except for the hood control buttons and Cancel) will not work. Repeat to unlock control.

Tones

Open door, press and hold number keypad "4" for 5 seconds to disable button tones. Repeat to turn buttons tones back on. End of cycle & timer tones will still be active.

Demo Mode

Activate to practice using the control without actually turning on the magnetron.

To activate :

1. Open door, press and hold number keypad “3” for 5 seconds, d” icon lights up in the display.
2. Press the start button within 5 seconds to turn demo mode on.
3. dOn_” icon lights up in the display.

Note: If start button wasn’t pressed within 5 seconds, return to idle normal mode.

To deactivate:

Repeat the procedure as activation during an idle state clock / standby. Once start is pressed, deactivate demo mode, display “dOff” for 5 seconds and return to normal operation.

Standby Power Mode

When no functions are working (12 hour clock is displayed or if the clock has not been set), oven will switch to Standby Power mode and dim the display brightness after 2 minutes. Press any button or open/close the door, and then display will return to the normal brightness.

Turntable

For best cooking results, do not operate the microwave oven without having the turntable in place. Turntable may be turned off for manual cooking only

Cookware and Dinnerware**Microwave-Safe**

- Browning dish (Follow manufacturer recommendations)
- Ceramic glass, glass
- China, earthenware (Follow manufacturer recommendations)
- Melamine (Follow manufacturer recommendations)
- Paper towels, paper plates, napkins (Use non-recycled paper)
- Plastic wraps, bags, covers, dinnerware, containers (Follow manufacturer recommendations)
- Pottery and clay (Follow manufacturer recommendations)
- Silicone bakeware (Follow manufacturer recommendations)
- Wax paper

Do Not Use

- Metal cookware and bakeware
- Straw or wicker
- Gold, silver, or pewter

- Non-approved meat thermometers, skewers
- Twist ties
- Foil liners, such as sandwich wrappers
- Staples
- Objects with gold or silver trim or with metallic glaze

To Test Cookware/Dinnerware: Place dish in microwave oven with 1 cup (250 mL) of water beside it. Program 1 minute of cook time at 100%. If dish becomes hot and the water stays cool, do not use the dish in the microwave oven.

Microwave Oven Use

For list of preset programs, see the Cooking Guide label on the front facing of the microwave oven opening, behind the door. Any invalid entry will cause an Invalid Tone and be corrected to a value that is within range and closest to the entered value.

Manual Cooking

Touch number keypads to enter time, touch POWER (if not 100%), touch number keypads to enter power level (10-90), then touch the Start control.

Preset Cooking

Touch COOK, enter number code of food item, enter quantity, then touch the Start control.

Preset Reheating

Touch REHEAT, enter number code of food item, enter quantity, then touch the Start control.

Preset Defrosting

Touch DEFROST, enter number code of food item, enter quantity, then touch the Start control.

Frozen Entree

Touch FROZEN ENTREE, enter quantity: 10, 20, 40, 60 oz (283, 567, 1134, 1701 g), then touch Start control.

Popcorn Touch

Popcorn repeatedly, bag size 1.75, 3.0 (default), 3.5 oz (50, 85 or 99 g), close the door, then touch Start control.

Pop only 1 package of popcorn at a time. Listen for popping to slow to 1 pop every 1 or 2 seconds, then stop the cycle.

Cooking results may vary by brand and fat content.

MICROWAVE OVEN CARE

General Cleaning

IMPORTANT: Before cleaning, make sure all controls are OFF and the microwave oven is cool. Always follow label instructions on cleaning products.

To avoid damage to the microwave oven caused by arcing due to soil buildup, keep cavity, microwave inlet cover, cooking rack supports, and area where the door touches the frame clean. Clean with mild soap, water, and a soft cloth or sponge or as indicated below.

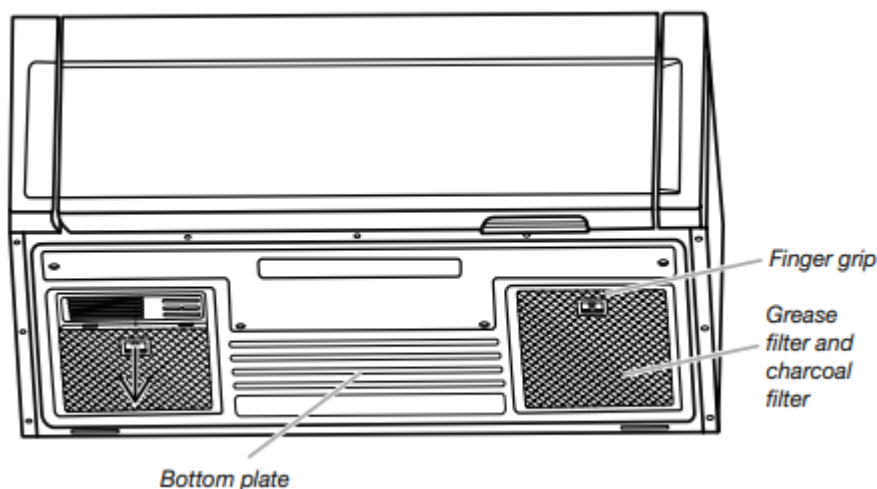
- Grease filter: mild soap and water or dishwasher
- Door and exterior: mild soap and water, or glass cleaner applied to paper towel
- Control panel: sponge or soft cloth and water
- Stainless steel (on some models): mild soap and water, then rinse with clean water and dry with soft cloth, or use stainless steel cleaner
- Turntable: mild soap and water or dishwasher

Installing/Replacing Filters and Light Bulbs

Grease filters: Grease filters are underside of microwave oven. The grease filters should be removed and cleaned at least once a month. See the “Settings” section to reset filter status.

NOTE: For recirculation: Do not operate the microwave oven without the filters in place. For wall and roof ventilation: To ensure good performance of airflow, remove the charcoal filter from the bottom plate before operating the microwave oven. Refer the following steps for replacing grease filter:

1. To remove the grease filter, push the finger grip back and then pull down from the bottom plate.



2. Clean the grease filter monthly, or replace with a new grease filter if necessary.

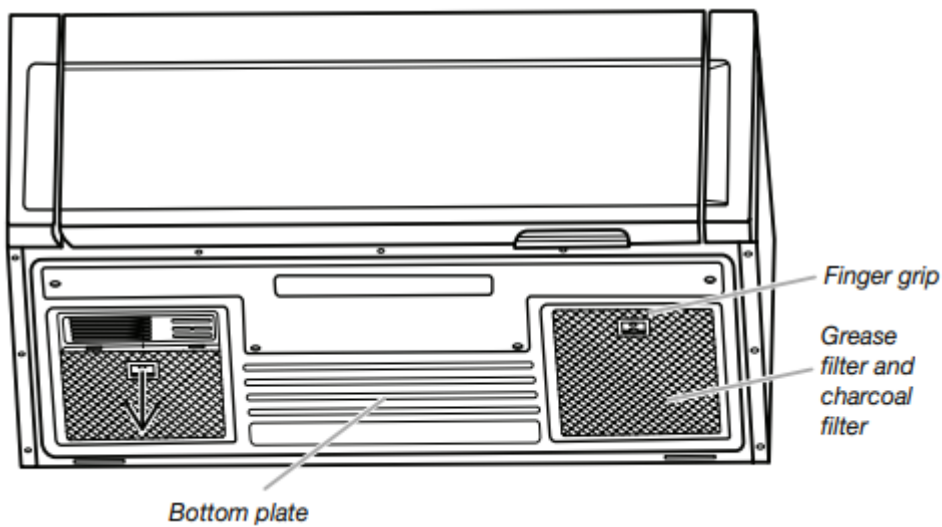
3. Put the grease filter back to the bottom plate

Charcoal filter: Charcoal filters are underside of microwave oven. The charcoal filter cannot be cleaned and should be replaced about every 6 months. See the “Settings” section to reset filter status.

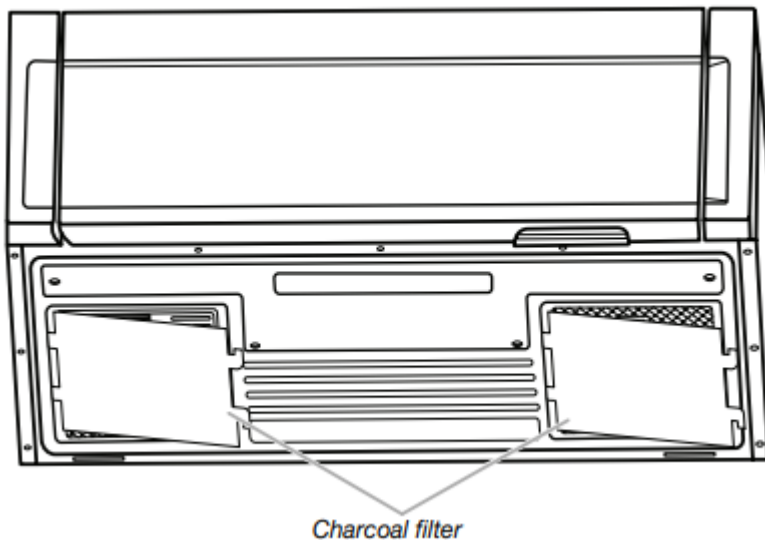
NOTE: For recirculation: Do not operate the microwave oven without the filters in place. For wall and roof ventilation: To ensure good performance of airflow, remove the charcoal filter from the bottom plate before operating the microwave oven.

Refer the following steps for replacing charcoal filter:

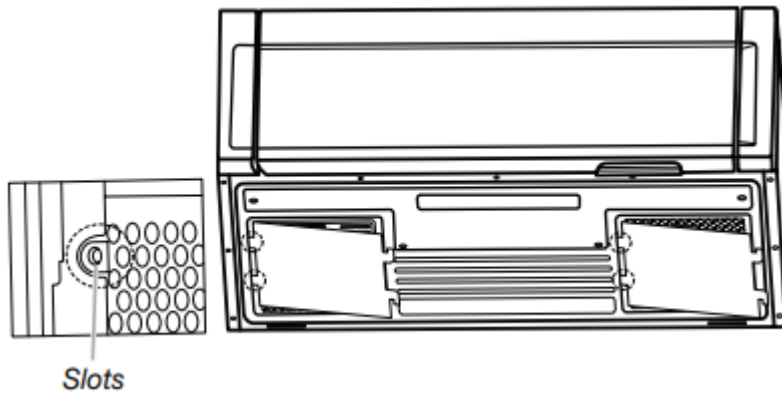
1. To remove the grease filter first, push finger grip back and then pull down from the bottom plate, and set aside.



2. Take out the charcoal filter from the bottom plate.



3. Replace a new charcoal filter and reattach it back to the bottom plate, and make sure both left and right sides insert to the bottom plate slots.

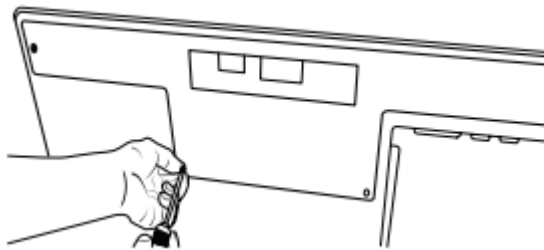


4. Put the grease filter back to the bottom plate.

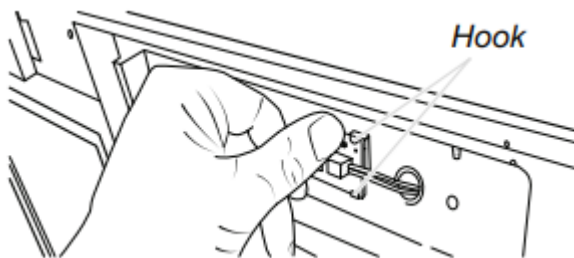
Cooktop light: The cooktop light is located on the underside of the microwave oven and is replaceable.

To replace the cooktop light, refer the following steps:

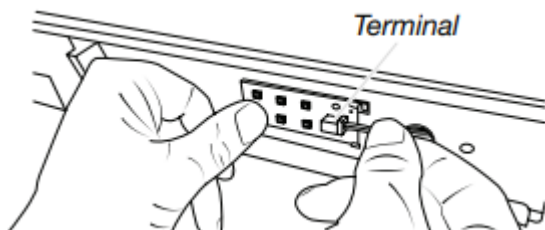
1. Using a Phillips screwdriver, remove the 4 screws from the "T" shaped bottom lighting cover.



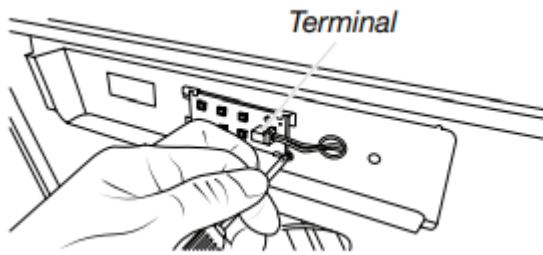
2. Push the 2 hooks backward, and take the LED out.



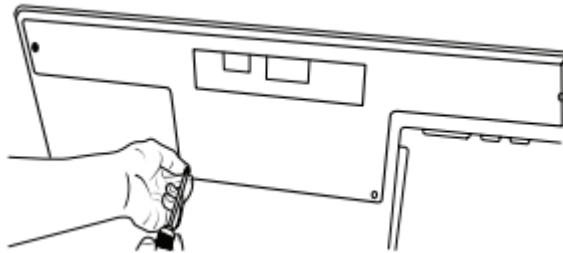
3. Unplug the terminal from the LED board.



4. Replace a new LED, press it back between two hooks and plug in the terminal.



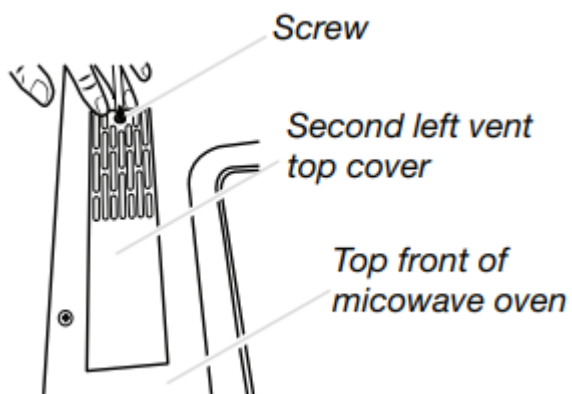
5. Using a Phillips screwdriver, reattach the 4 screws back to "T" shape bottom lighting cover.



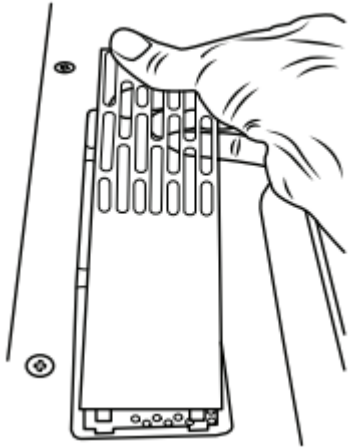
Cavity light: The cavity light bulb is located at the top front of the microwave oven, under the bulb cover, and is replaceable.

To replace the cavity light, refer the following steps:

1. Using a Phillips screwdriver, remove the second left vent top cover screw from the top front of the microwave oven

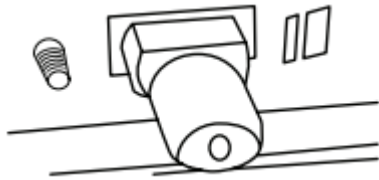


2. Remove the second left top cover.

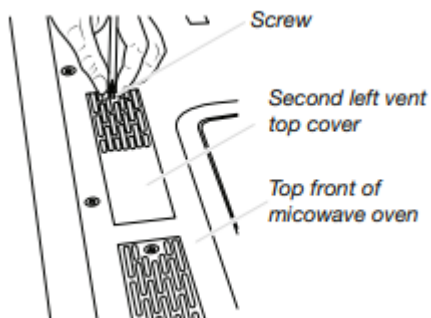


3. Pull out the halogen light from the light holder.

4. Insert a new halogen.



5. Reattach the second top vent cover with the screw removed in step1.



TROUBLESHOOTING



If you experience	Recommended Solutions
Microwave oven will not operate	<p>Check the following:</p> <ul style="list-style-type: none"> • Household fuse or circuit breaker: If a household fuse has blown or a circuit breaker has tripped, replace the fuse or reset the circuit breaker. If the problem continues, call an electrician. • Magnetron: Try to heat 1 cup (250 mL) of cold water for 2 minutes at 100% cooking power. If water does not heat, try the steps in the bullets below. If microwave oven does not operate, call for service. • Door: Firmly close door. On some models, if a packaging spacer is attached to the door, remove it, then firmly close door. <p>If a message about the door appears in the display, the door has been closed for 5 minutes or more without the microwave oven being started. This occurs to avoid unintended starting of the microwave oven. Open and close the door, then start the microwave oven.</p> <ul style="list-style-type: none"> • Control: Make sure control is set properly. Make sure Control Lock is OFF. Make sure Demo mode (on some models) is OFF.
Arcing in the microwave oven	<p>Check the following:</p> <ul style="list-style-type: none"> • Soil buildup: Soil buildup on cavity walls, microwave inlet cover, cooking rack supports, and area where the door touches the frame can cause arcing. See “Cleaning” in the “Microwave Oven Care” section.
Turntable alternates rotation directions	<ul style="list-style-type: none"> • This is normal and depends on motor rotation at the beginning of the cycle.
Display shows messages	<ul style="list-style-type: none"> • A flashing “:” or “PF” means there has been a power failure. Reset the clock. • A letter followed by a number is an error indicator. Call for assistance.
Fan running during cooktop usage	<ul style="list-style-type: none"> • This is normal. The microwave oven’s cooling fan, which is separate from the vent fan, automatically comes on during microwave oven operation to cool the microwave oven. It may also automatically come on and cycle on and off to cool the microwave oven’s controls while the cooktop below is being used.
Radio, TV, or cordless phone interference	<p>Check the following:</p> <ul style="list-style-type: none"> • Proximity: Move the receiver away from the microwave oven, or adjust the TV antenna. • Soil: Make sure the microwave oven door and sealing surfaces are clean.



- **Frequency:** Some 2.4 GHz-based cordless phones and home wireless network devices may experience static or noise while microwave oven is ON. Use a corded phone, a different frequency cordless phone or avoid using these items during microwave operation.

MICROWAVE HOOD COMBINATION SAFETY

IMPORTANT SAFETY INSTRUCTIONS

When using electrical appliances basic safety precautions should be followed, including the following:

WARNING: To reduce the risk of burns, electric shock, fire, injury to persons, or exposure to excessive microwave energy

- Read all instructions before using the microwave oven.
- Read and follow the specific “PRECAUTIONS TO AVOID POSSIBLE EXPOSURE TO EXCESSIVE MICROWAVE ENERGY” found in this section.
- The microwave oven must be grounded. Connect only to properly grounded outlet. See “GROUNDING INSTRUCTIONS” found in this section and in the provided Installation Instructions.
- Install or locate the microwave oven only in accordance with the provided Installation Instructions.
- Some products such as whole eggs in the shell and sealed containers - for example, closed glass jars - are able to explode and should not be heated in the microwave oven.
- described in the manual. Do not use corrosive chemicals or vapors in the microwave oven. This type of oven is specifically designed to heat, cook, or dry food. It is not designed for industrial or laboratory use.
- As with any appliance, close supervision is necessary when used by children.
- Do not operate the microwave oven if it has a damaged cord or plug, if it is not working properly, or if it has been damaged or dropped.
- The microwave oven should be serviced only by qualified service personnel. Call an authorized service company for examination, repair, or adjustment.
- Do not cover or block any openings on the microwave oven.
- Do not store this microwave oven outdoors. Do not use the microwave oven near water - for example, near a kitchen sink, in a wet basement, near a swimming pool, or similar locations.
- Do not immerse cord or plug in water.
- Keep cord away from heated surfaces.

- Do not let cord hang over edge of table or counter.
- See door surface cleaning instructions in the “Microwave Oven Care” section.
- To reduce the risk of fire in the oven cavity:
 - Do not overcook food. Carefully attend the microwave oven when paper, plastic, or other combustible materials are placed inside the oven to facilitate cooking.
 - Remove wire twist-ties from paper or plastic bags before placing bags in oven.
 - If materials inside the oven ignite, keep oven door closed, turn oven off, and disconnect the power cord, or shut off power at the fuse or circuit breaker panel.
 - Do not use the cavity for storage purposes. Do not leave paper products, cooking utensils, or food in the cavity when not in use.
- Liquids, such as water, coffee, or tea are able to be overheated beyond the boiling point without appearing to be boiling. Visible bubbling or boiling when the container is removed from the microwave oven is not always present. THIS COULD RESULT IN VERY HOT LIQUIDS SUDDENLY BOILING OVER WHEN THE CONTAINER IS DISTURBED OR A SPOON OR OTHER UTENSIL IS INSERTED INTO THE LIQUID. To reduce the risk of injury to persons:
 - Do not overheat the liquid.
 - Stir the liquid both before and halfway through heating it.
 - Do not use straight-sided containers with narrow necks.
 - After heating, allow the container to stand in the microwave oven for a short time before removing the container.
 - Use extreme care when inserting a spoon or other utensil into the container.
- Do not mount over a sink.
- Do not store anything directly on top of the microwave oven when the microwave oven is in operation.
- Clean Ventilating Hoods Frequently - Grease should not be allowed to accumulate on hood or filter.
- When flaming foods under the hood, turn the fan on.
- Suitable for use above both gas and electric cooking equipment.
- Intended to be used above ranges with maximum width of 36" (91.44 cm).
- Use care when cleaning the vent-hood filter. Corrosive cleaning agents, such as lye-based oven cleaners, may damage the filter.

Warning

This content is compiled from multiple sources and is provided for reference purposes only. It may not be complete or fully applicable to all situations. If you are unable to resolve your issue, please contact the product manufacturer or an authorized service provider for official support.

Document generated by [ManualsFile](#)