

The main points in brief

1.

Load the laundry and close the door.



Switch the dryer on by turning the programme selector to the required programme.



Press the Start button.



2.

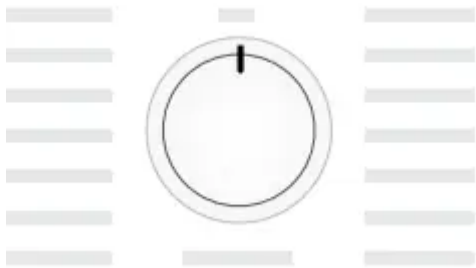
End of the programme.



Remove the laundry

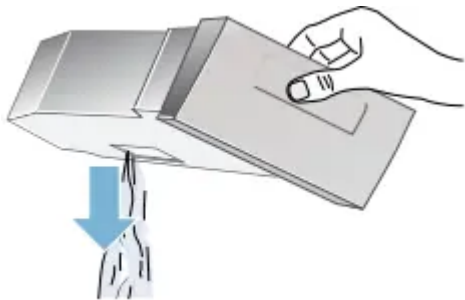


Switch the dryer off.

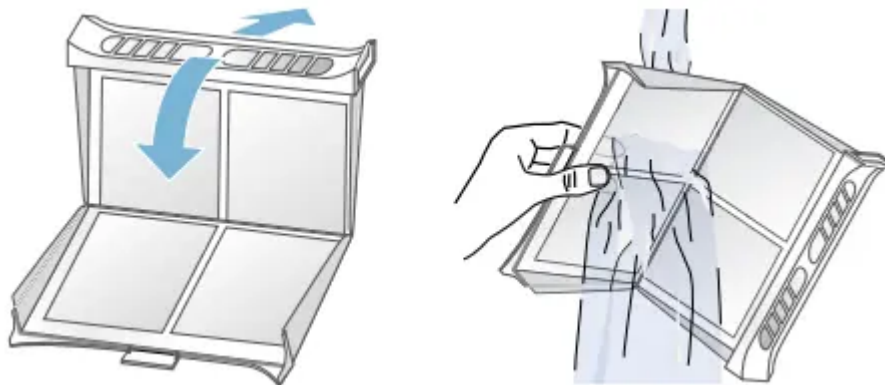


3.

Empty the condensate container.

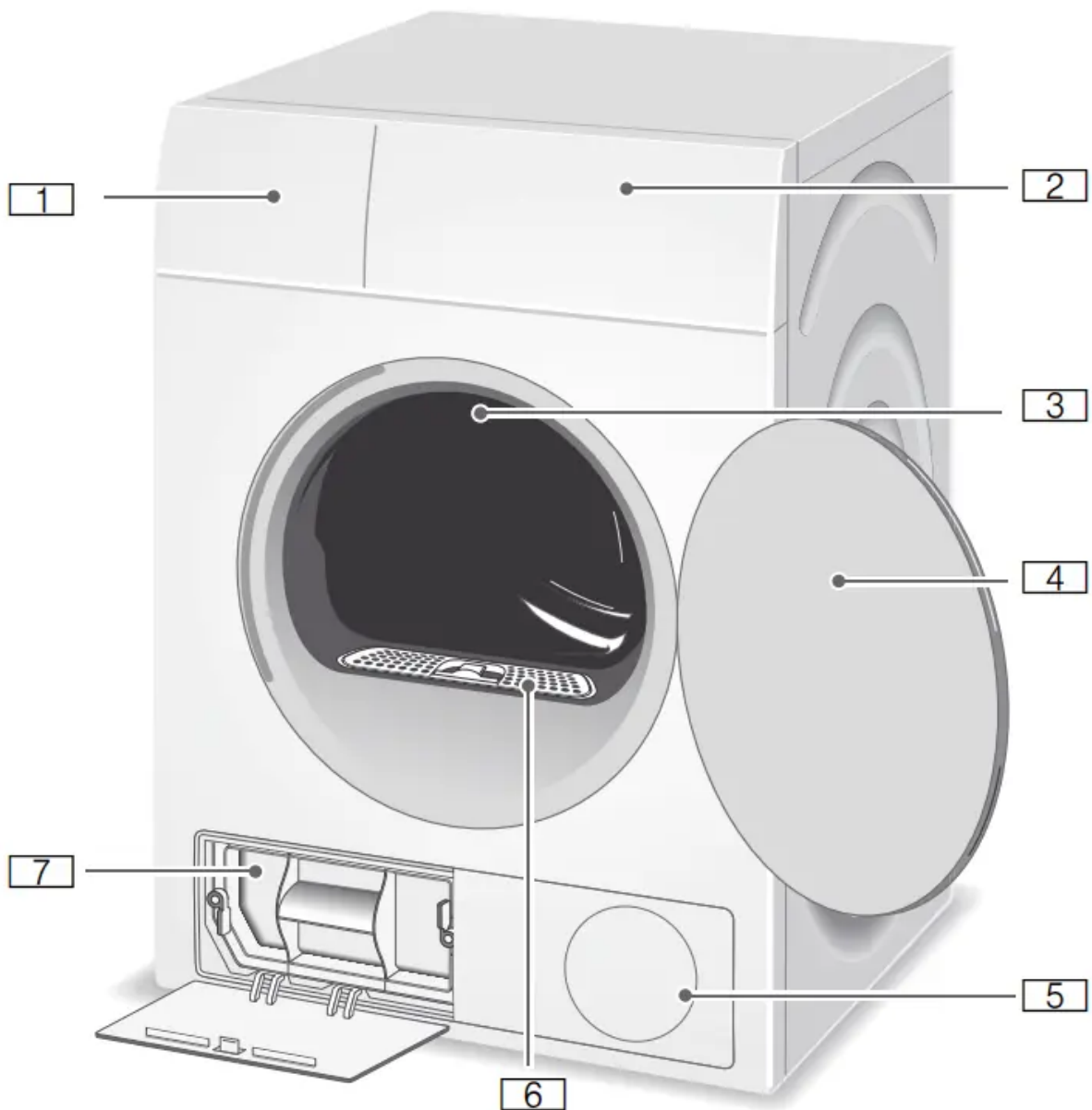


Clean the fluff filter.



Getting to know your appliance

Dryer

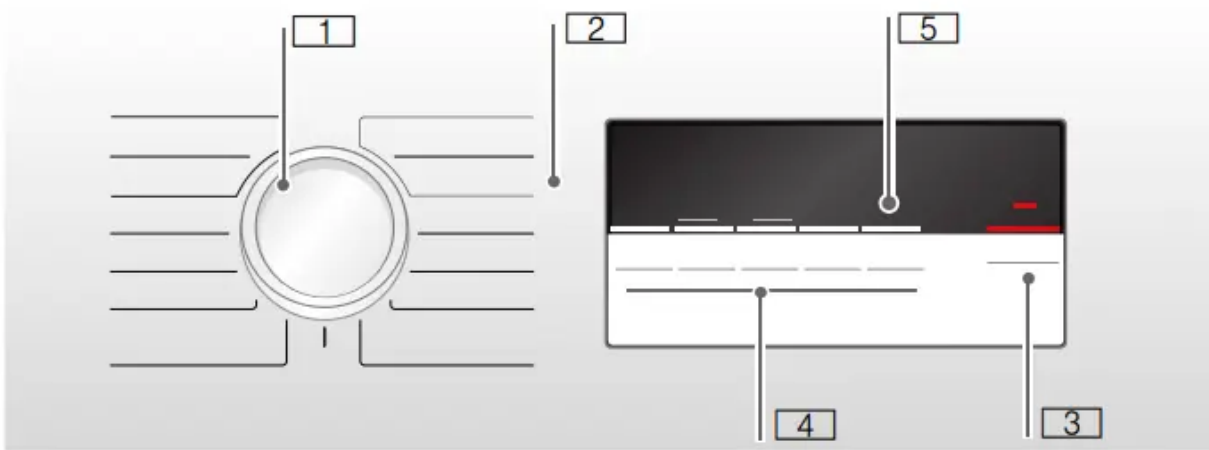


- 1. Condensate container
- 2. Control and display panel
- 3. Drum interior light*
- 4. Dryer door
- 5. Air inlet
- 6. Fluff filter
- 7. EasyClean filter

* depending on the model



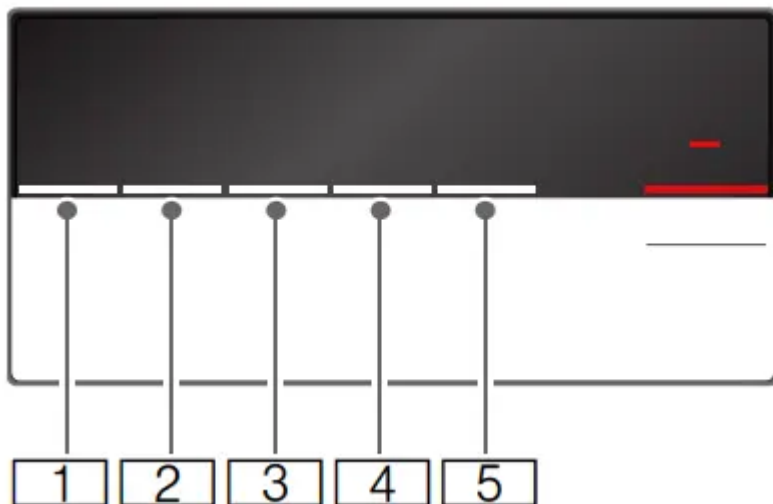
Control panel



1. Programme selector for switching the dryer on/off and selecting the programme.
2. Programmes
3. Start button for starting or interrupting the programme
4. Buttons for applying default programme settings
5. Display panel

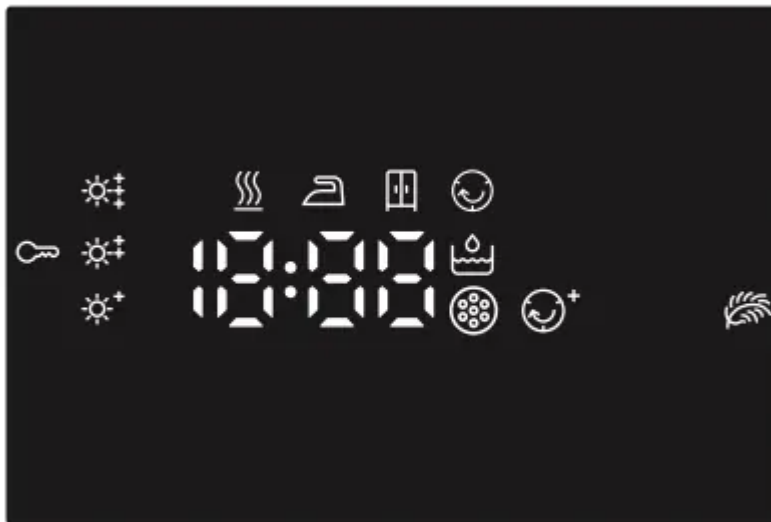
Display panel


Buttons on the display panel




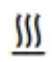



1. Degree of dryness.
2. Drying Time.
3. Ready in.
4. Anti-Crease.
5. Low-Heat.


Display panel




 Empty the condensation container


 Clean the fluff filter ~ Page 29 and clean the EasyClean filter

    - *P - End*: Programme progress for Dry, Iron Dry, Cupboard Dry, Anti-Crease, Pause and End of programme.

 Childproof lock active .

 Anti-Crease selected.

 Low-Heat selected.

 Degree of dryness selected.

1:27 Expected programme duration in hours and minutes.

3 h Programme will end in 3 h/hours when the "Ready in" time is selected.

Operating the appliance

Loading laundry and switching on the dryer

Note: The dryer must be correctly positioned and connected

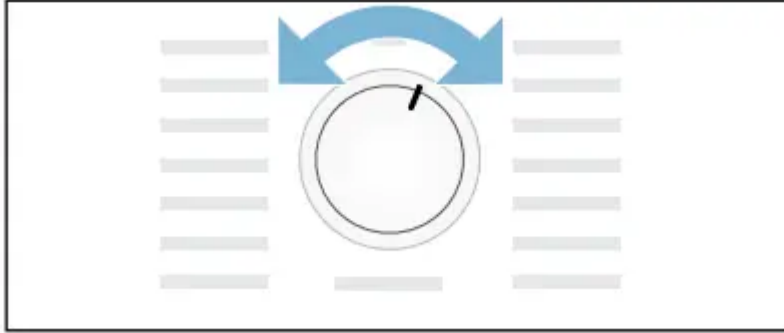
1. Place the laundry in the drum.
2. Turn the programme selector to any programme to switch the dryer on.
3. Close the dryer door.

Caution! Possibility of material damage to the dryer or laundry. Take care not to trap any laundry in the door.

Setting a programme

Note: If you have activated the childproof lock, you must deactivate it before you can set a programme.

1. Select the required programme.
2. Use the programme selector to set the required programme. The default programme settings for the selected programme appear in the display panel.



Note: Default programme settings are standard settings that are already defined when a programme is selected. After selecting a programme, you can see the default programme settings in the display panel.

3. If required, adjust the default programme settings.

Starting the programme

Press the Start button.

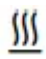
Note: If you want to lock the programme to prevent it from being adjusted inadvertently, you can select the childproof lock

Programme sequence

The programme status is indicated in the display field.

e.g. Expected programme duration **1:27** in hours and minutes.

Note: When a programme is selected, the expected drying time for the recommended load is displayed. During drying moisture sensors detect the remaining moisture in the load and adjust the programme length (except timed programmes). This is visible via the time remaining leaping forward.

 Dry

 Iron Dry

 Cupboard Dry

 AntiCrease

-P- Pause

End End

Changing the programme or adding laundry

You can remove or add laundry and change or alter the programme at any time during drying.

1. To pause the programme, open the dryer door or press the Start button.
2. Add or remove laundry.
3. Select another programme or an additional function, if required.
4. Close the dryer door.
5. Press the Start button.

Note: The programme duration in the display panel is updated depending on the load and residual moisture in the laundry. The values displayed may change after the programme is changed or the load is adapted.

Cancelling the programme

The programme can be interrupted at any time; to pause, open the dryer door or press the Start button.

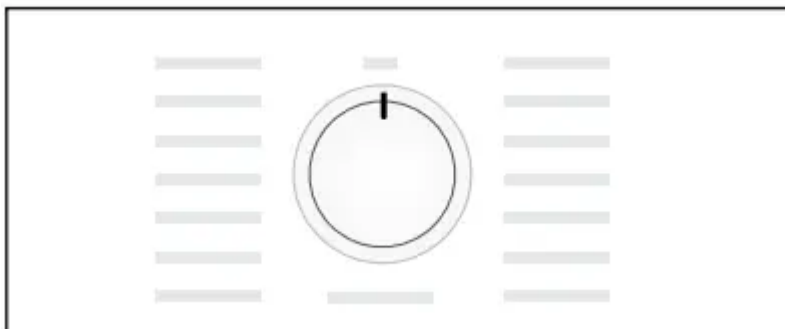
Caution! Risk of fire. Laundry may catch fire. If you cancel the programme, you must remove the laundry items and spread them out so that the heat can disperse.

Programme end

End appears in the display panel.

Removing laundry and switching off the dryer

1. Remove the laundry.
2. Turn the programme selector to the "off" position.

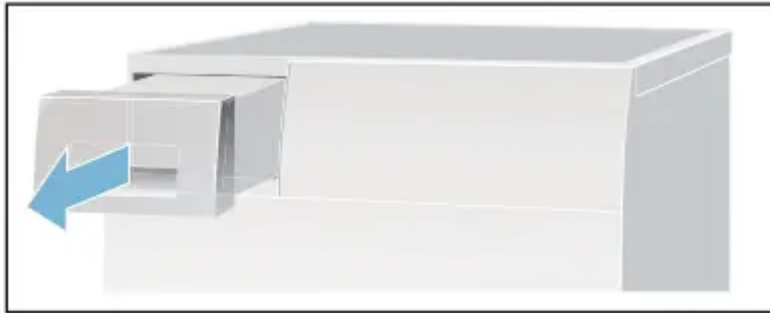


Emptying the condensate container

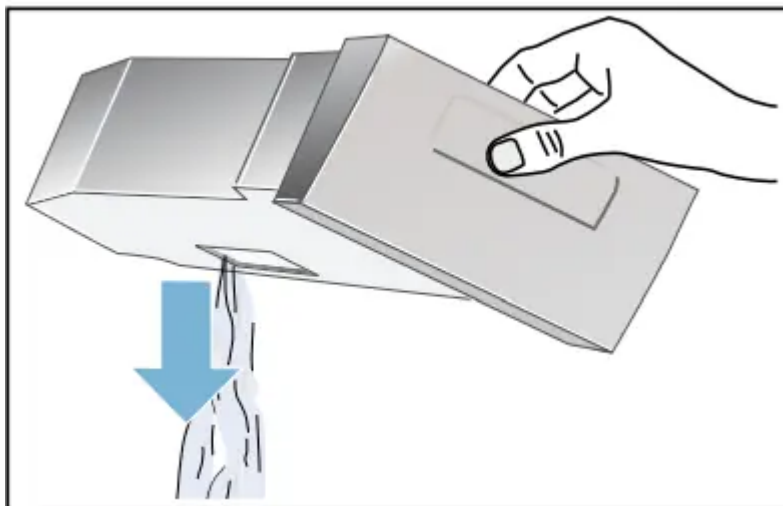
By default, the condensation from the appliance runs into the condensation container.

Alternatively, you have the option of discharging the condensation water* supplied depending on the model. If you choose to discharge the condensation water into the waste-water system, you will not need to empty the condensation container during the drying programme or after each time you use the dryer.

1. Pull out the condensate container horizontally.



2. Pour out the condensation water.



Caution! Dirty condensation water may be harmful to your health and cause material damage. Condensation water is not suitable for drinking and may be contaminated with fluff. Do not drink the condensation water or reuse it.

3. Push in the condensate container until you feel it lock back into place in the dryer.



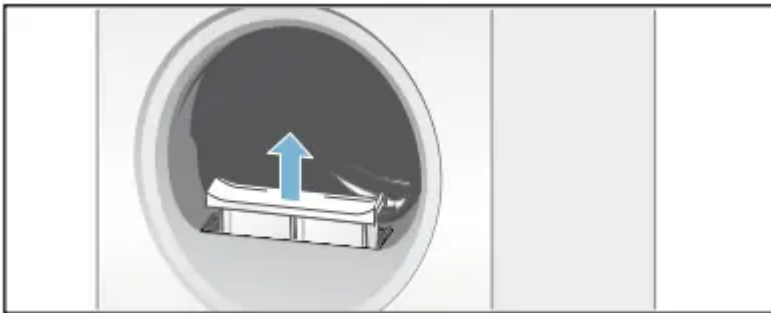
* into the waste-water system via a drain hose

Clean the fluff filter

Note: During drying, fluff and hair from the laundry is trapped by the fluff filter. If the fluff filter is blocked or dirty, this reduces the flow of air, which prevents the dryer from achieving its maximum performance. Clean fluff filters also reduce energy consumption and the drying time.

Clean the fluff filter after each drying cycle:

1. Open the dryer door and remove all fluff from the door.
2. Pull out the two-part fluff filter.

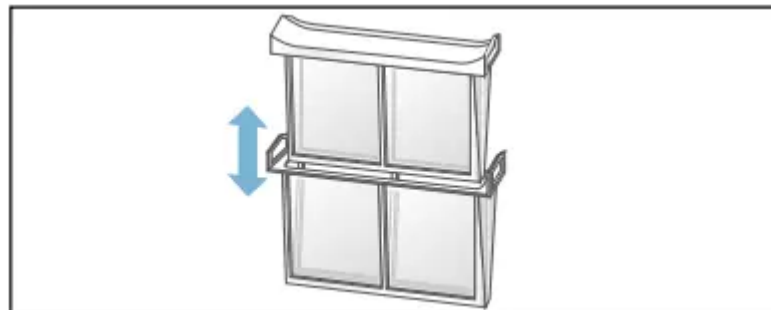


3. Remove the fluff from the recess in the fluff filter.

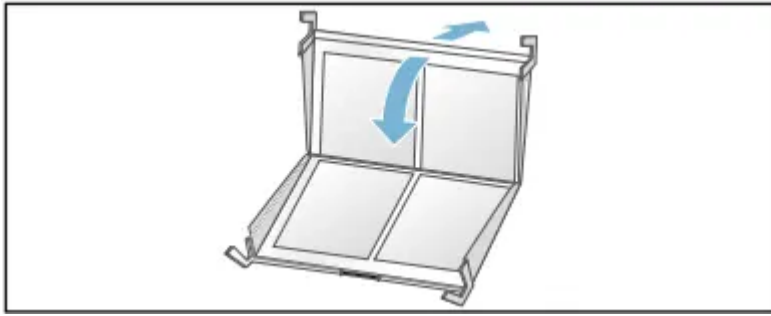


Note: Ensure that no fluff falls into the open shaft.

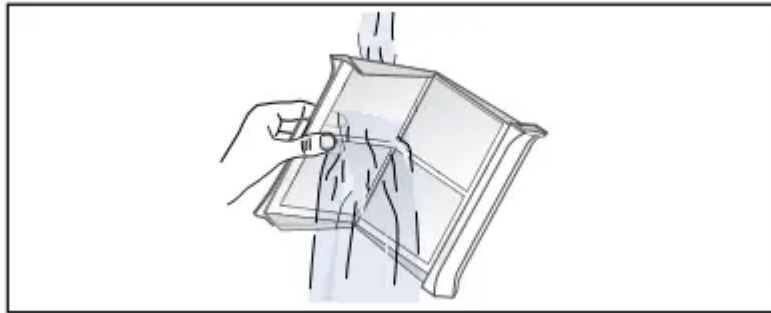
4. Pull apart the two-part fluff filter.



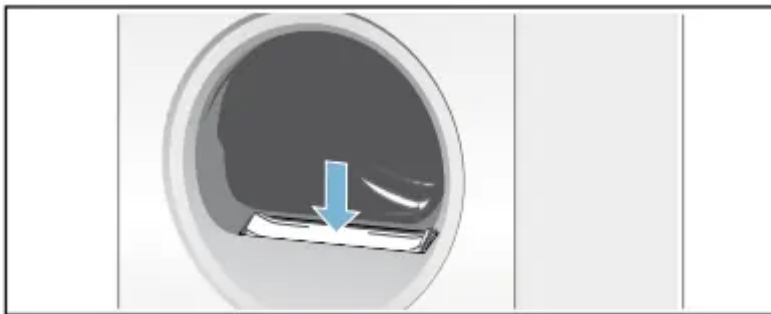
5. Open both filters and remove all the fluff.



6. Rinse away the fluff under warm, running water.



7. Dry the fluff filter, close it and reinsert the two-part fluff filter.



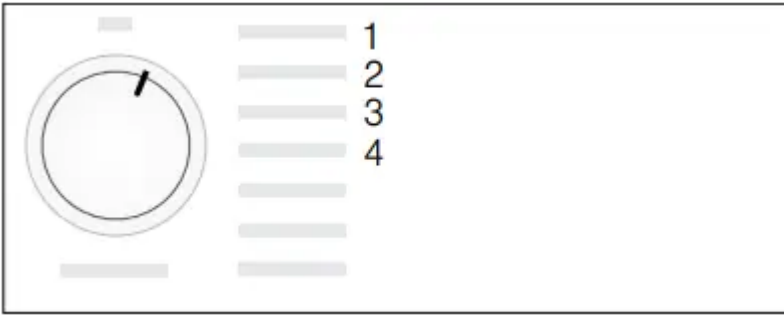
Caution! The dryer may be damaged. Do not operate the dryer without a fluff filter or if the fluff filter is defective.

Signal setting

You can change the following settings:

- The speed at which the washing machine was spun; only used if the anticipated drying time needs to be displayed more accurately,
- The volume of the audible signal at the end of the programme,
- The volume of the audible button signals.

You will need to activate the setting mode in order to change these settings.



Activating the setting mode

1. Switch the dryer on.
2. Select the "Cottons" programme in position 1 and wait for five seconds.

Setting mode is now activated. The symbols go out on the display panel and the programme duration is displayed.

1. Press and hold the Start button and, at the same time, turn the programme selector clockwise to position 2.
2. The spin speed is shown on the display.
3. Press the "Ready in" time button or the drying time button to change the spin speed.
4. Turn the programme selector clockwise to position 3.
5. The volume for the audible signal at the end of the programme is shown on the display.



0 = off, 1 = quiet, 2 = medium, 3 = loud, 4 = very loud

6. Press the "Ready in" time button or the drying time button to change the volume.
7. Turn the programme selector clockwise to position 4.
8. The volume for the audible button signal is shown on the display.



0 = off, 1 = quiet, 2 = medium, 3 = loud, 4 = very loud

9. Press the "Ready in" time button or the drying time button to change the volume.

Note: You can select other positions with the programme selector; however, you will be unable to change these settings.

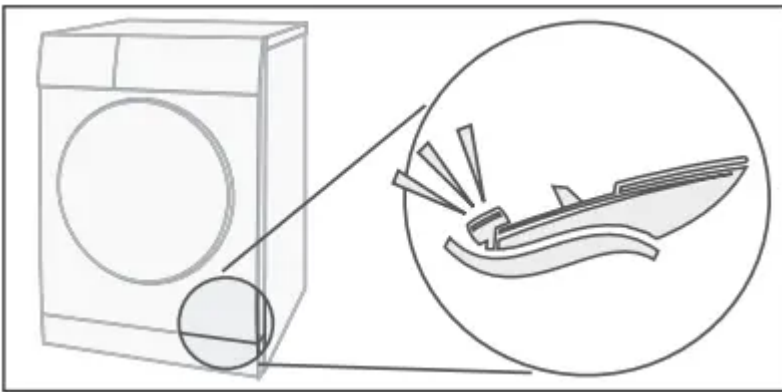
Finishing setting mode

Turn the programme selector to the "Off" position once you have set the required spin speed and the volume. The settings have now been saved.

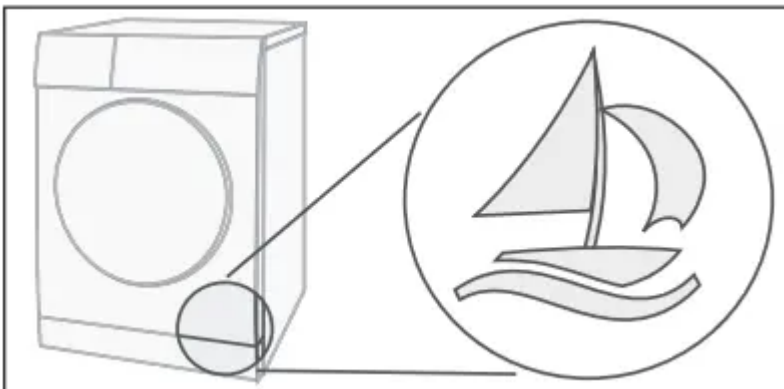
Noises

Note: During drying, particularly in the initial phase, operation of the appliance results in noise from the compressor and pump. This is perfectly normal and does not impair proper functioning of the appliance.

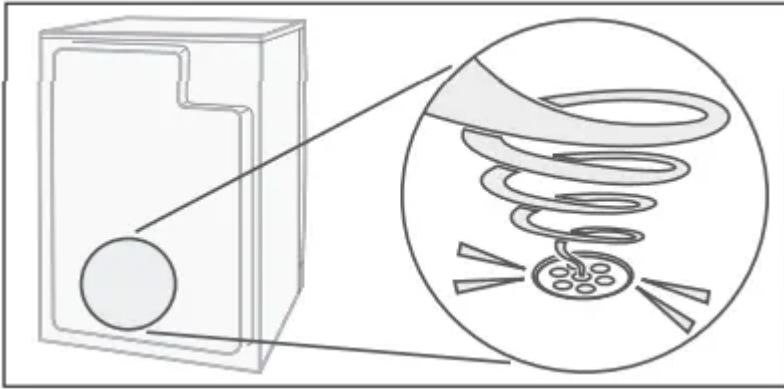
From time to time, the compressor in the dryer generates a humming noise. However, the volume may vary depending on the programme and progress of the drying process.



Every now and then, the compressor is ventilated. This creates a whirring noise.



The condensation is pumped into the condensate container by a pump. This generates pumping noises.



Cleaning

Cleaning the dryer and the control panel

Warning

Risk of death

There is a risk of electric shock as the dryer is operated with electricity. Disconnect the dryer from the mains before cleaning.

Clean the dryer using only water and a soft, damp cloth.

Remove all detergent residue, spray residue or other residues immediately. Do not use cleaning agents or agents for pre-treating laundry (e.g. prewash sprays, stain removers). Do not use high-pressure cleaners or steam jet cleaners to clean your appliance.

Cleaning the moisture sensor

Note: The dryer is equipped with a stainless-steel moisture sensor. The moisture sensor measures how damp the laundry is.


After long periods of usage the moisture sensor may become covered by a fine layer of limescale or residues of detergents and care products. Such residues must be removed regularly as the sensor function and in consequence the drying result may be impaired.

Open the door and clean the moisture sensor with a coarse sponge.

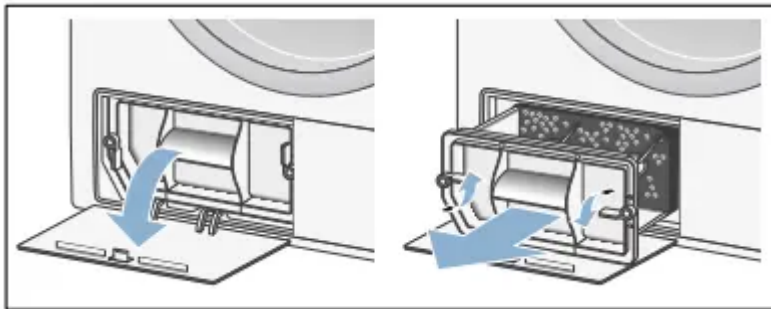


Caution! Moisture sensor may be damaged. Do not clean moisture sensors with abrasives and steel wool.

Cleaning the EasyClean filter

When  appears in the display panel, clean the EasyClean filter as follows:

1. First clean the fluff filter.
2. Close the door of the dryer.
3. Open the maintenance flap on the heat exchanger.
4. Release the levers on the EasyClean filter.
5. Use the grip handle to pull the EasyClean filter out.

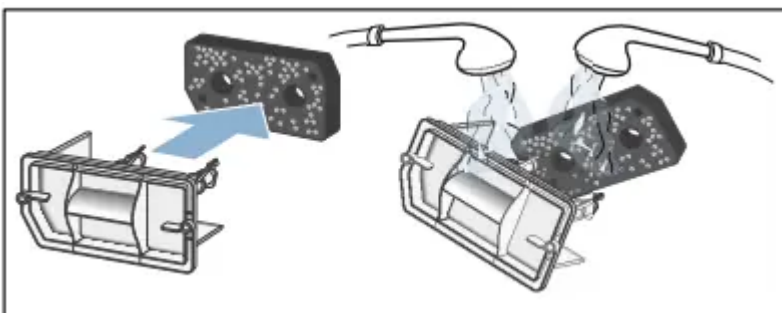


6. Now take off the filter mat.
7. Wash out the filter mat by hand using clean water.

Notes

If the filter mat is covered with stubborn dirt, you can also remove this carefully using a vacuum cleaner.

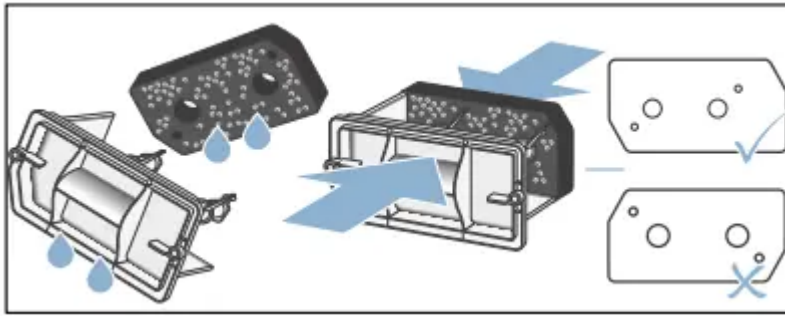
Do not use cleaning agents.



8. Dry the filter mat by squeezing the water out.

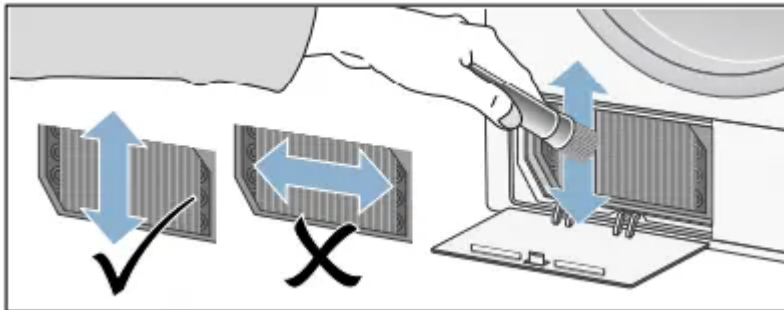
Note: Only use the filter mat if it is clean and dry.

9. Put the filter mat back on.



Note: Ensure that the filter mat is not misshapen, torn or clogged. Position the filter mat as shown above.

10. Check how dirty the dryer's heat exchanger is before putting the EasyClean filter back in. If it is very dirty, use a vacuum cleaner with a brush attachment to clean it carefully from top to bottom.

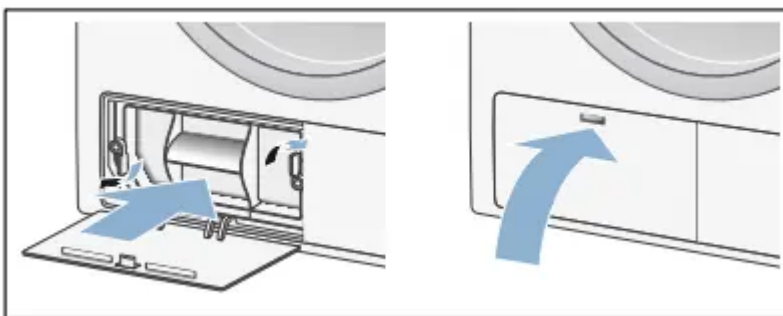


Note: Take care not to bend or damage the fins on the heat exchanger when cleaning it.

Caution! Risk of injury. You could cut yourself on the fins of the heat exchanger. Do not touch these with your hands. '



11. Slide the EasyClean filter in and make sure it clicks into place.

12. Close the maintenance flap.



13. Switch the dryer off. You have now cleaned the EasyClean filter

Faults and what to do about them

Faults	Cause/remedy
 in the display panel and drying was interrupted.	<p>Empty the condensation container and press the Start button.</p> <p>If the optional condensation drain has been installed, the drain hose may be blocked or kinked. If the optional condensation drain has been installed, the drain hose may be blocked or kinked. Check the hose for deposits and flush the hose through. Lay the hose without any kinks.</p>
 in the display panel.	<p>Clean the fluff filter</p> <p>Clean the EasyClean filter</p>
<p>The dryer will not start.</p>	<p>Start button selected?</p> <p>Mains plug plugged in or fuse/circuit breaker checked?</p> <p>Programme selected? Select a programme.</p> <p>Dryer door open? Close the door.</p> <p>Childproof lock activated? Deactivate the childproof lock.</p> <p>"Ready in" time selected? Programme starts after a delay.</p>
<p>Creasing.</p>	<p>Creasing occurs when you have exceeded the maximum load or selected the wrong programme for the type of fabric. All the required information can be found in the programme table.</p> <p>Remove clothes immediately after drying; creasing may occur if they are left in the drum.</p>
<p>Water is leaking out.</p>	<p>Not a fault; the dryer may be positioned on an incline. Level the dryer.</p>
<p>Programme duration displayed changes during drying.</p>	<p>Not a fault. The moisture sensors detect the remaining moisture in the load and adjust the programme length accordingly (except timed programmes).</p>
<p>Laundry is not dried correctly or is still too damp.</p>	<p>After the end of the programme, warm laundry feels damper than it actually is. Spread the laundry out and allow the heat to disperse.</p> <p>Fine tune the dryness level. This extends the drying time but does not increase the temperature. Your laundry will become drier.</p> <p>Select a programme with a longer drying time or increase the dryness level. This does not increase the temperature.</p>

	<p>Select a timed programme to add extra drying time for laundry that is still damp.</p> <p>If you have exceeded the maximum load for the programme, the laundry may not be dried properly.</p> <p>Clean the moisture sensor in the drum. The sensor may become covered in a fine layer of limescale or detergent and care product residue, which then impairs its performance. This prevents your laundry from being dried properly.</p> <p>Drying has stopped as a result of a power cut, because the condensation container is full or because the maximum drying time has been exceeded.</p> <p>Note: See also the laundry tips</p>
Drying time too long?	<p>The fluff filter or the EasyClean filter may be dirty, which will make the drying time longer. Clean the fluff filter or the EasyClean filter.</p> <p>If the air inlet on the dryer is blocked or not freely accessible, this may increase the drying time. Make sure that the air inlet remains unobstructed.</p> <p>The optimum ambient temperature for drying is between 15 °C and 30 °C. Outside of this range, the drying time may increase.</p> <p>Insufficient air circulation in the room may increase the drying time. Ventilate the room</p>
Display panel goes out and Start button flashes.	Not a fault. Energy saving mode is active
Humidity in the room is increasing.	Not a fault. Make sure the room is adequately ventilated.
Power failure.	The drying programme is stopped. Remove the laundry and spread it out, or restart the programme.
Unusual noises when drying.	Not a fault
The dryer feels cold despite drying.	Not a fault. The dryer can dry effectively at low temperatures using a heat pump.

Note: If you cannot rectify the fault yourself by turning the dryer off and then on again, please contact our after-sales service.

Warning

This content is compiled from multiple sources and is provided for reference purposes only. It may not be complete or fully applicable to all situations. If you are unable to resolve your issue, please contact the product manufacturer or an authorized service provider for official support.

Document generated by [ManualsFile](#)