

## ***Safety Instructions***

### ***GROUNDING INSTRUCTIONS***

***WARNING:*** *Improper use of the grounding plug can result in a risk of electric shock.*

This appliance must be grounded . In the event of an electrical short circuit, grounding reduces the risk of electric shock .

This appliance is equipped with a power cord having a grounding wire with a grounding plug . The plug must be plugged into an outlet that is properly installed and grounded .

Consult a qualified electrician if the grounding instructions are not completely understood, or if doubt exists as to whether the appliance is properly grounded .

If the outlet is a standard 2-prong wall outlet, it is your personal responsibility and obligation to have it replaced with a properly grounded 3-prong wall outlet .

Do not under any circumstances cut or remove the third (ground) prong from the power cord .

Do not use an adapter plug with this appliance . Do not use an extension cord with this appliance .

If the power cord is too short, have a qualified electrician install an outlet near the appliance .

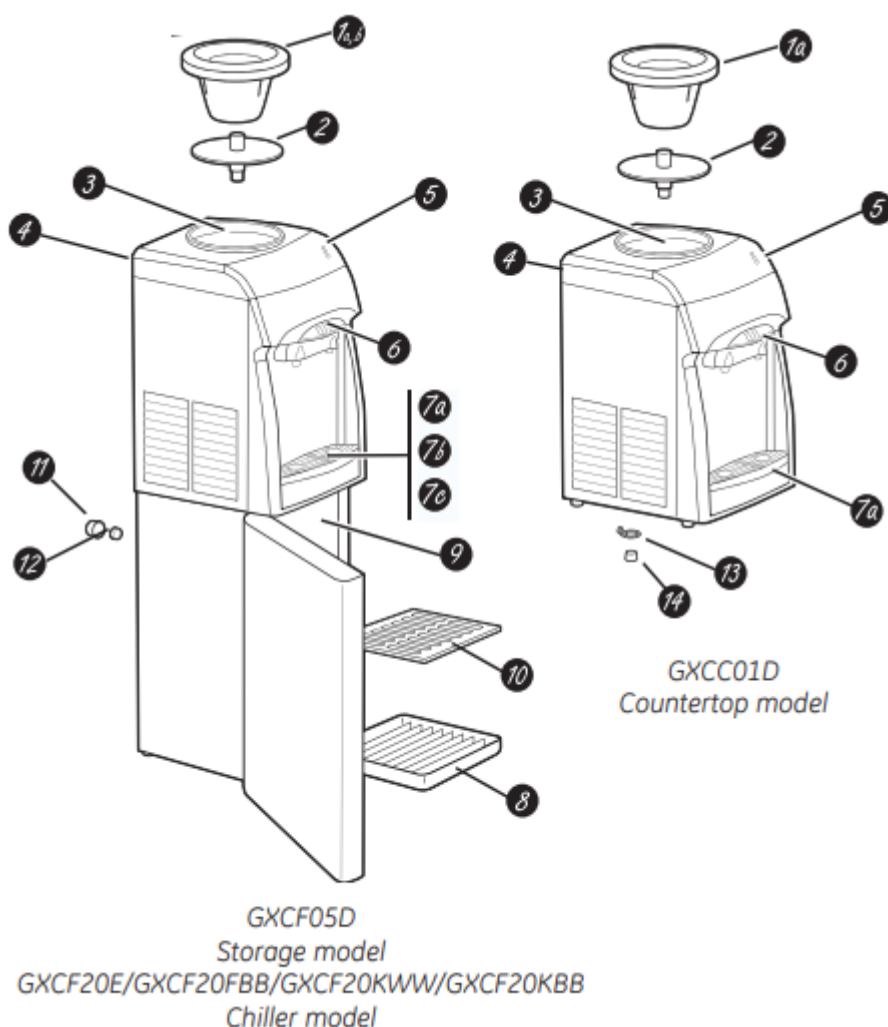
For best operation, plug the appliance into its own electrical outlet on a dedicated circuit to prevent flickering of lights, blowing of fuse, or tripping of circuit breaker .

### ***PROPER DISPOSAL OF THE WATER DISPENSER***

#### ***Refrigerant Disposal***

Your old water dispenser may have used a regulated refrigerant in its cooling system . These refrigerants are believed to harm stratospheric ozone . If you are throwing away your old dispenser, make sure the refrigerant is removed and recovered for proper disposal by an EPA-certified technician . If you intentionally release this refrigerant, you can be subject to fines and imprisonment under provisions of environmental legislation .

## Using the Water Dispenser



### Features and Parts List

1. **Bottle Support Collar (WS28X10047), grey for models GXCF05D and GXCC01D**
2. **Bottle Support Collar, white (WS28X10049) for models GXCF20E and GXCF20KWW, black (WS28X10048) for models GXCF20FBB and GXCF20KBB Separator (WS28X10013)**
3. **Cold Water Tank**
4. **Hot (Red) and Cold (Blue) Power Switches (back of dispenser on equipped models).** The Cold (Blue) power switch also turns on the chiller compartment (on equipped models) .
5. **Indicator Lights.** The power indicator light will be lit when the dispenser is plugged in . The hot and cold indicator lights will cycle on and off while the dispenser heats and cools the water . Compressor start maybe delayed by up to 3 minutes (on certain models) .
6. **Hot (Red) and Cold (Blue) Water Dispenser Buttons**

7.
  1. **Dispenser Drip Tray (WS28X10016) and Grille (WS28X10015), grey for models GXCF05D and GXCC01D**
  2. **Dispenser Drip Tray (WS28X10026) and Grille (WS28X10027), white for models GXCF20E and GXCF20KWW**
  3. **Dispenser Drip Tray (WS28X10031) and Grille (WS28X10034), black for models GXCF20FBB and GXCF20KBB**
8. **Compartment Tray (models GXCF20E/GXCF20FBB/ GXCF20KWW/GXCF20KBB only) (WS29X10029) Storage Compartment (GXCF05D).** Do not use to store foods requiring refrigeration . The compartment is not refrigerated .
9. **Chiller Compartment (GXCF20E/GXCF20FBB/ GXCF20KWW/GXCF20KBB).** The compartment is intended solely for use in chilling canned and boxed beverages, and packaged nonperishables .
10. **Compartment Shelf (WS28X10028)**
11. **Drainage Cap (floor and chiller models) (WS01X10008)**
12. **Silicon Stopper (floor and chiller models) (WS01X10007)**
13. **Retaining Clip (countertop models) (WS01X10010)**
14. **Rubber Drain Cover (countertop models) (WS01X10011)**

## **Loading the Dispenser and Start Up**



**Sanitize the dispenser water tanks prior to installing a full bottle of water for the first time (see “Cleaning and Sanitizing the Water Tanks”).**

**IMPORTANT:** Make sure the dispenser is unplugged with both the hot and cold power switches (on the back of the dispenser, on models so equipped) set to the **O (off)** position. Before placing the water bottle on the dispenser, wash hands and wipe the top of the bottle with a clean cloth. Avoid touching the part of the bottle that will be in contact with the water dispenser.

Make sure the water level in the top of the dispenser is low enough to allow for proper bottle installation. Failure to do so may cause the dispenser to overflow.

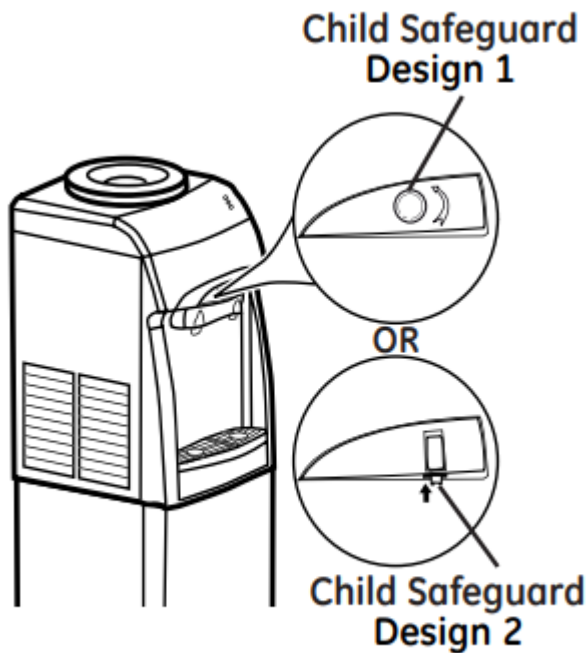
1. Peel the label from the top cover of the bottle (if present) . Do **not** remove the entire bottle cap .
2. Place the bottle on top of the dispenser as shown, aligning the dispensing valve probe to the center of the water bottle cap . Press down until the probe penetrates the bottle cap, allowing the bottle to rest on the support collar .
3. **IMPORTANT: Press both dispense buttons until water runs from both taps.**
4. Plug in the dispenser .

5. Set the COLD and HOT power switches (located on the top left rear of the dispenser, on models so equipped) to the **I (on)** position .

6. Allow 30 minutes for water to reach hot and cold temperatures .

Contact a local water bottle distributor to purchase water bottles.

### **Child Safeguard**



*(Appearance may vary)*

The HOT dispenser button is equipped with one of the two child safeguard designs shown that reduce the risk of hot water being dispensed accidentally or by small children .

**To dispense water - Child Safeguard Design 1**, rotate the knob counterclockwise and push the button in .

**To dispense water - Child Safeguard Design 2**, slide the tab up and press the button in .

The knob will reset automatically when the button is released

***The dispenser heats water to a temperature of approximately 190°F (88°C). Water temperatures above 125°F (52°C) can cause severe burns or death from scalding. Children, the disabled and the elderly are at highest risk of being scalded.***

***CAUTION: Children should be supervised by a parent when using this product.***

## Care and Cleaning

### **Care and cleaning of the dispenser.**

#### **Cleaning the Outside Cabinet and Storage/Chiller Compartment** (on some models)

**IMPORTANT:** Set both power switches (on the back of the dispenser, if equipped) in the **O (off)** position and unplug the water dispenser before cleaning.

The cabinet and compartment of the dispenser can be washed with mild soap and water . Rinse thoroughly with clear water . Never use commercial cleaners or abrasive scouring powders .

Sweep away or vacuum any dust from the condenser coils on the back of the unit . For best results, use a brush specially designed for this purpose . It is available at most appliance stores .

#### **Cleaning the Inside of the Chiller Compartment** (GXCF20E/GXCF20FBB/ GXCF20KWW/



GXCF20KBB)

**To help prevent odors,** leave an open box of baking soda in the chiller compartment .

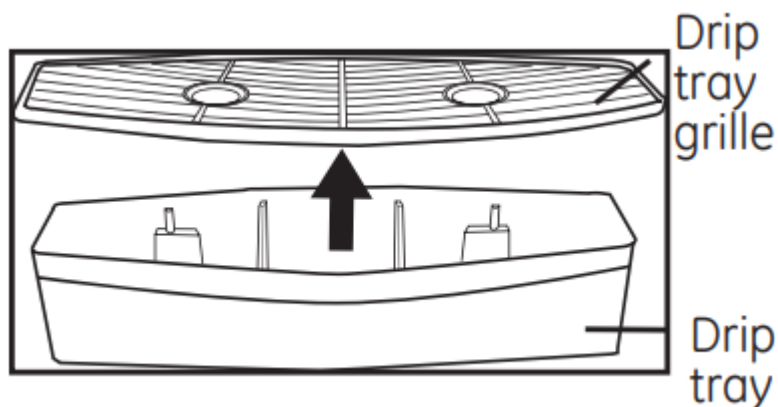
#### **Unplug the dispenser before cleaning.**

Use warm water and baking soda solution—about a tablespoon (15 ml) of baking soda to a quart (1 liter) of water . This both cleans and neutralizes odors . Rinse and wipe dry .

Clean other parts of the chiller compartment— including door gaskets and all plastic parts—the same way.

*Do not wash any plastic chiller parts in the dishwasher.*

#### **Cleaning the Drip Tray and Grille**



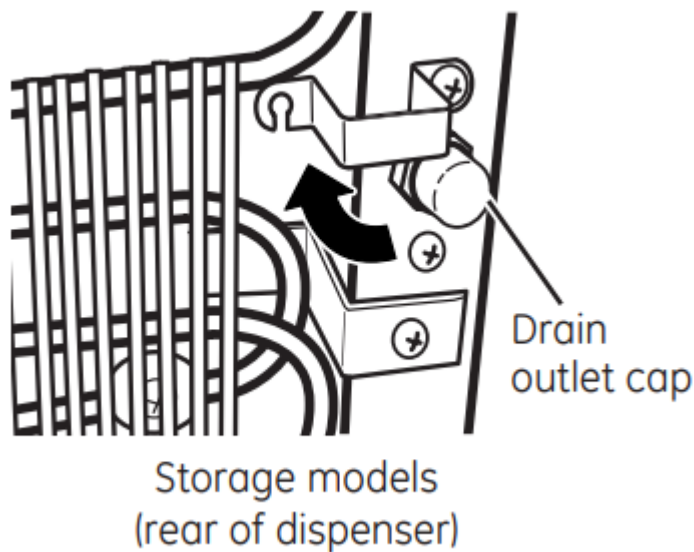
The dispenser drip tray is not self-draining . To reduce water spotting or deposits, the tray and its grille should be emptied, cleaned and wiped dry regularly .

Clean with mild soap or on the top rack in the dishwasher .

### **Care and cleaning of the dispenser.**

#### ***Draining the Dispenser***

The dispenser should be drained before cleaning the tanks and before leaving for long vacations or absences .



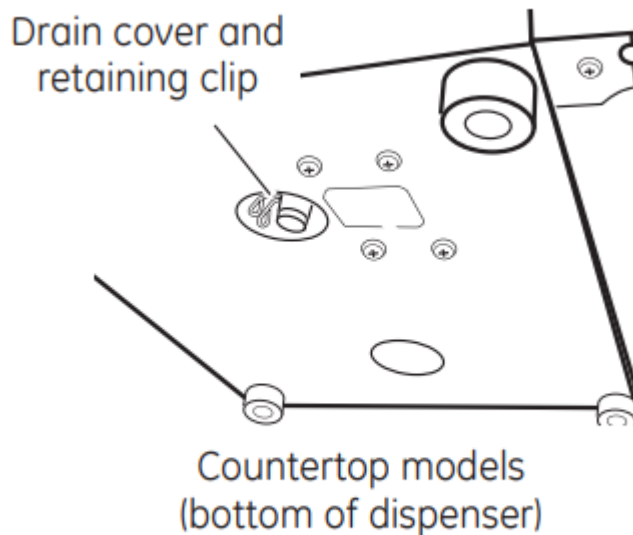
#### ***Storage Models***

- 1.Set both power switches (on the back of the dispenser, if equipped) in the **O (off)** position and unplug the dispenser .
- 2.Remove the water bottle from the dispenser .
- 3.Put a container that will withstand hot water under the hot water tap . **Press the hot dispenser button until the water is cool (about 1 quart)**. Add water to the cold water reservoir (on top where the bottle supplies water) as needed.
- 4.Dispense water from both buttons into container(s) until no more water can be dispensed (about 1 quart of water still remains in the dispenser) .
- 5.Place a large bucket beneath the drain outlet on the rear of the dispenser .
- 6.Using a Phillips screwdriver, loosen the screws on the bracket covering the drain outlet cap . Rotate the bracket out of the way to allow access to the cap .

7. Remove the cap and silicon stopper from the drain outlet and allow water to drain .  
After draining, **replace the stopper and cap.**

8. Rotate the bracket back into place and tighten screws .

Make sure to install a full bottle and dispense water from the hot water tap before plugging in and turning on the dispenser (see *Loading the Dispenser*) .



### **Countertop Models**

1. Set both power switches (on the back of the dispenser, if equipped) in the **O (off)** position and unplug the dispenser
2. Remove the water bottle from the dispenser
3. Put a container that will withstand hot water under the hot water tap . **Press the hot dispenser button until the water is cool (about 1 quart).** Add water to the cold water reservoir (on top where the bottle supplies water) as needed
4. Dispense water from both buttons into container(s) until no more water can be dispensed (about 1 quart of water still remains in the dispenser) .

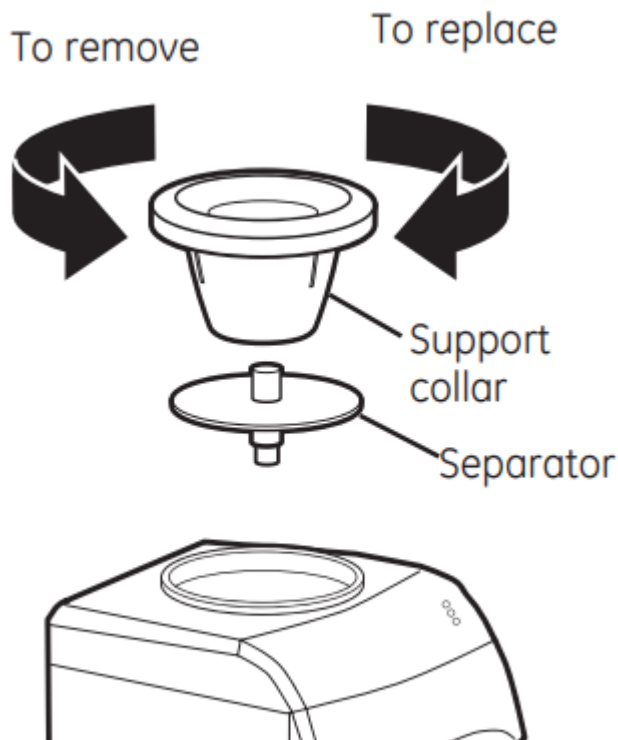
**WARNING: Lift the dispenser carefully; it weighs approximately 40 lbs (18 kg). Avoid accidentally pressing the dispenser buttons while lifting or carrying.**

5. Place the dispenser over a sink with 3 feet on the counter . Hold or secure the dispenser steady while removing the retaining clip and drain cover . Remove the retaining clip and drain cover from the drain outlet, making sure not to damage the drain cover . Allow water to drain .

6. After draining, **replace the drain cover and retaining clip**

Make sure to install a full bottle and dispense water from the hot water tap before plugging in and turning on the dispenser (see *Loading the Dispenser*) .

### ***Cleaning the Separator***



**IMPORTANT:** Set both power switches (on the back of the dispenser, if equipped) in the **O (off)** position and unplug the water dispenser before cleaning.

1. Remove the water bottle and drain the dispenser (see *Draining the Dispenser*) .
2. Remove the support collar by turning **counterclockwise** and pulling straight off .
3. Remove the plastic separator by pulling straight out (you may need to twist slightly to loosen) .
4. Clean the separator with dish soap and water or in the top rack of the dishwasher .
5. Dry the separator thoroughly on both sides .
6. Using a clean cloth or paper towel, thoroughly dry the cold water reservoir .
7. Place the separator back in the dispenser . Make sure the long, tapered end of the separator is positioned firmly on the metal plug on the bottom of the reservoir .
8. Replace the support collar and turn **clockwise** until it is firmly in place .
9. Install a full water bottle on the dispenser (see *Loading the Dispenser*) .

### ***Sanitizing and Cleaning the Water Tanks***

**IMPORTANT:** Periodically the water dispenser tanks must be sanitized to prevent unpleasant tastes in the water and cleaned to remove mineral deposits that can impair flow.

**To Sanitize:**

1. Before cleaning, set both power switches (on the back of the dispenser, if equipped) in the



OFF

- 
2. **O (off)** position and **unplug the water dispenser** . position

**NOTE:** For first time installation, skip steps 2–4 .

- 
- 
3. Empty the water bottle, then remove it from the dispenser .

- 
- 
- 
4. Drain the water tanks (see *Draining the Dispenser*) .

**4. Reinstall the silicon stopper and drain cap (on floor models) or the drain cover and retaining clip (on countertop models) (see *Draining the Dispenser*) .**

**5. DO NOT ADD BLEACH FIRST OR DIRECTLY TO THE DISPENSER. Concentrated bleach may damage plastic.**

Add 1/2 teaspoon (2 .5 ml) of ordinary 6 .0% maximum household bleach to a 2 quart (2 liter) pitcher filled with tap water .

- 
- 
- 
- 
6. Pour the solution in the opening at the top of the dispenser.

- 
- 
- 
- 
- 
7. Repeat steps 5 and 6 until the dispenser is full .

- 
- 
- 
- 
- 
- 
8. Press the hot and cold dispenser buttons until the water just begins to flow from the taps .

- 
- 
- 
- 
- 
- 
- 
9. Allow to sit for 15–20 minutes .

**10. Rinse out the bleach solution:**

— Drain the water tanks into a large bucket (floor models) or sink (countertop models) (see *Draining the Dispenser*) .

— Make sure that the silicon stopper (floor models) or drain cover (countertop models) is **NOT** installed .

— **IMPORTANT: Remove the separator and wipe out the cold water reservoir** (see *Cleaning the Separator*) .

— Clean, then reinstall the separator and collar (see *Cleaning the Separator*) .

— Pour approximately 1 gallon (4 quarts or 4 liters) of fresh tap water into the top and allow to drain into the bucket (floor models) or sink (countertop models) .

— Flush with an additional 1 gallon (4 quarts or 4 liters) of fresh tap water and allow to drain into the bucket (floor models) or sink (countertop models) .

11. **Reinstall the silicon stopper and drain cap (on floor models) or the drain cover and retaining clip (on countertop models)** (see *Draining the Dispenser*) .

12. Install a fresh water bottle (see *Loading the Dispenser*) .

13. **Dispense 1 quart (1 liter) of water from each tap** and taste to make sure the bleach solution is completely removed.

**If you continue to taste the chlorine from the bleach solution, repeat steps 10–13 until the taste is gone.**

14. Plug in the dispenser . Then turn on the hot and cold power switches (on the back of the



**ON**

dispenser, if equipped) . **position**

### **To Remove Mineral Deposits:**

Mix 2 quarts (2 liters) of water with two quarts of vinegar **OR** mix 1 gallon of water (4 liters) with 16 ounces (454 g) of citric acid crystals. Bleach does not remove mineral deposits. Do this in place of step 5 when removing mineral deposits.

### **Care and cleaning of the dispenser.**

**Defrosting** (GXCF20E/GXCF20FBB/GXCF20KWW/GXCF20KBB Chiller Model)

Defrost whenever frost on the wall of the chiller compartment becomes excessive. **Never use a sharp or metallic instrument to remove frost as it may damage the liner.** We recommend using a plastic scraper.

Do not use any electrical device in defrosting your chiller compartment.

#### **To defrost:**

- Remove items from the compartment .
- Turn the Cold Power switch (if equipped) to off and unplug the dispenser .
- Put several towels in the bottom of the compartment to collect water .

Defrosting usually takes a few hours . To defrost faster, keep the door open .

#### **After defrosting:**

- Remove the wet towels and wipe up any remaining water .
- Wipe the compartment with a dry cloth .
- Plug in the unit and turn on the Cold power switch (if equipped) . Return items to the unit .

### **Preparing for Vacation**

For long vacations or absences, set both power switches (on the back of the dispenser, if equipped) to the **O (off)** position .

- 1.Unplug the water dispenser .
- 2.Remove the water bottle .
- 3.Drain the water tanks (see *Draining the Dispenser*) .
- 4.Dry the separator thoroughly on both the top and bottom (see *Cleaning the Separator*) .
- 5.Leave the door of the chiller compartment open (on some models) .

*After returning from vacation, make sure to sanitize the water tanks before using the dispenser (see *Cleaning and Sanitizing the Water Tank*).*

### **Specifications**

**Chilling Rate:** approx . 0 .5 gallons (2 liters) per hour

**Heating Rate:** approx . 0 .8 gallons (3 liters) per hour

**Capacity:** 3 or 5 gallon bottle

**Power Consumption:** Heating: 480 watts max .

Cooling: 125 watts max .



## ***Troubleshooting Tips.***

<b><i>Problem</i></b>	<b><i>Possible Causes</i></b>
<b><i>Water has poor taste or odor</i></b>	<b>Separator needs cleaning.</b>
	<b>Unit needs to be sanitized.</b>
<b><i>Water not hot enough or cold enough</i></b>	<b>Dispenser is unplugged.</b>
	<b>The fuse is blown/circuit breaker is tripped.</b>
	<b>All the water in the water tank has been used.</b>
	<b>Temperature limiter tripped.</b>
<b><i>Water dispenser does not work – No water flow</i></b>	<b>Empty water bottle.</b>
	<b>Mineral deposits clogging tanks. .</b>
<b><i>Cold water button does not dispense</i></b>	<b>Chiller door has been left open.</b>
	<b>Ice buildup blocking water flow.</b>
<b><i>Water dispenser leaks from the outside</i></b>	<b>Crack or pin hole in bottle.</b>
<b><i>Compressor does not star when unit is</i></b>	<b>t Normal Operation—Compressor start is delayed by up to 3 minutes to protect compressor life.</b>



<p><i>plugged in and cold power switch (if equipped) is on.</i></p>	
<p><i>Bottle feels warm</i></p>	<p><b>Water system overfilled.</b></p> <p><b>Water is boiling in the hot tank and bubbling up into the bottle.</b></p>



<b><i>Water dispenser is noisy</i></b>	<b>Water dispenser is uneven.</b>
	<b>Bottle making a gurgling noise as water fills the tanks.</b>
	<b>Hot water boiling sound.</b>
	<b>Dispenser or water bottle shakes when the cooling system cycles off.</b>
<b><i>Particles floating in water</i></b>	<b>Water has high mineral content.</b>
<b><i>Foul odor in air around dispenser</i></b>	<b>Hot water tank is empty or not completely full.</b>
<b><i>Chiller does not operate (chiller models only)</i></b>	<b>Chiller is not on.</b>
	<b>Water dispenser is unplugged.</b>
	<b>The fuse is blown/circuit breaker is tripped.</b>
<b><i>Vibration or rattling (slight vibration is normal)</i></b>	<b>Water dispenser is on an uneven surface.</b>
<b><i>Compressor/motor operates (cooling light on) for long periods or cycles (chiller models only)</i></b>	<b>Often occurs when large amounts of food are placed in cooler.</b>
	<b>Door left open.</b>
	<b>Hot weather or frequent door openings.</b>
<b><i>Compressor/motor operates (cooling light on) for long</i></b>	<b>Normal when unit is first plugged in.</b>



<i>periods or cycles (all models)</i>	Not enough clearance from the wall.
	Water system overfilled.
<i>Chiller compartment too warm (chiller models only)</i>	Door left open.
<i>Compartment/cold water too cold/frozen</i>	Low ambient temperature.
<i>Chiller compartment has odor (chiller models only)</i>	Foods transmitting odor to chiller.
	Interior needs cleaning.
<i>Moisture forms on outside of chiller compartment (chiller models only)</i>	Not unusual during periods of high humidity and/or temperature.
<i>Moisture collects inside chiller compartment (in humid weather, air carries moisture into chiller compartment when door is opened) (chiller models only)</i>	Too frequent or too long door openings.

**Warning**



This content is compiled from multiple sources and is provided for reference purposes only. It may not be complete or fully applicable to all situations. If you are unable to resolve your issue, please contact the product manufacturer or an authorized service provider for official support.

---

Document generated by [ManualsFile](#)

