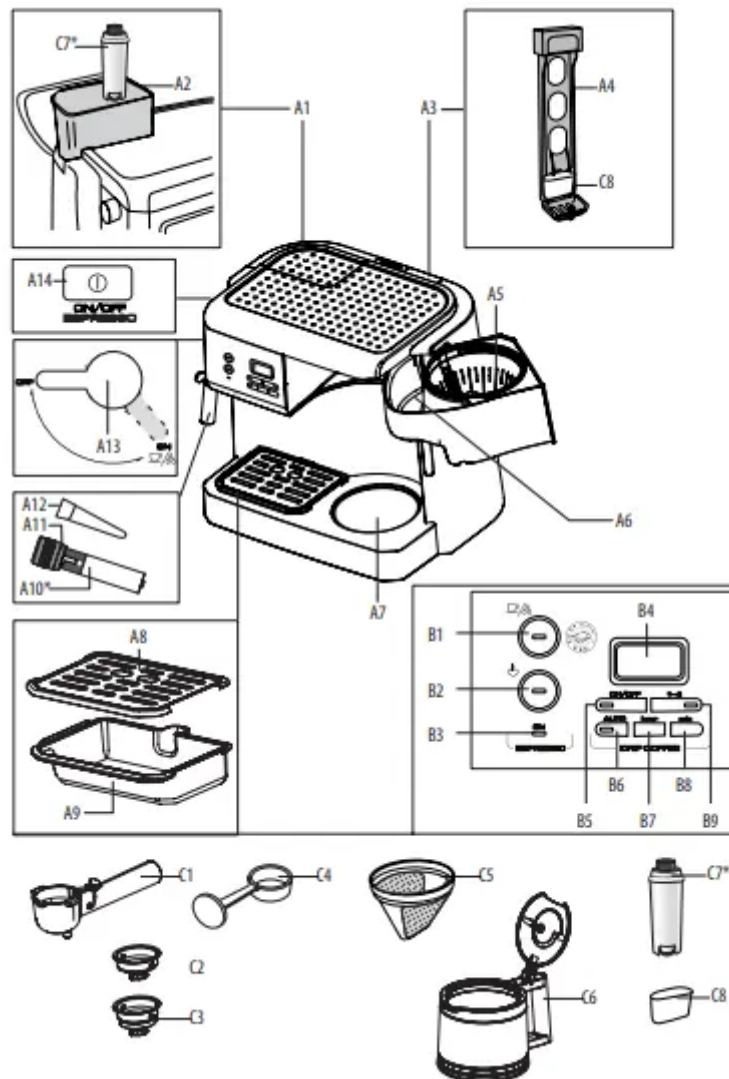


DESCRIPTION

The terminology below will be used on subsequent pages



Description of the appliance

- A1. Espresso water tank lid
- A2. Espresso water tank
- A3. Antichlorine filter extraction handle
- A4. Antichlorine filter support
- A5. Filter-holder for drip coffee
- A6. Water fill compartment
- A7. Drip coffee warming plate

- A8. Espresso cup tray
- A9. Drip tray
- A10. Cappuccino maker (*Different depending on the model)
- A11. Cappuccino maker selection ring (Adjustable cappuccino system only)
- A12. Steam connection nozzle
- A13. Steam dial for cappuccino
- A14. Espresso coffee ON/OFF switch

Description of control panel

- B1. Espresso coffee/hot water button with integrated pilot lamp
- B2. Steam button with integrated pilot lamp
- B3. Espresso power light
- B4 Display
- B5 ON/OFF button for drip coffee with power light
- B6 AUTO button (automatic switch-on) for drip coffee with AUTO ON light
- B7 HOUR button
- B8 MIN button
- B9 "1-4" cups button with light

Description of the accessories

- C1. Espresso coffee filter holder
- C2. One-cup or one-pod espresso coffee filter
- C3. Two-cup espresso coffee filter
- C4. Coffee measure with presser
- C5. Permanent gold tone filter
- C6. Jug for drip coffee
- C7. Water softener filter for espresso coffee water tank (*optional)
- C8. Antichlorine filter

Installation

- Place the appliance on a work surface away from water faucets and sinks.
- Check that the voltage of the outlet corresponds to the value indicated on the appliance rating plate. Connect the appliance to an efficiently grounded electrical

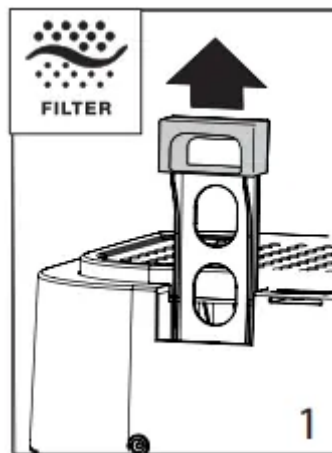
socket with a minimum rating of 10A only. The manufacturer declines all liability for any accidents caused by the absence of an efficient ground system.

- If the plug fitted to the appliance does not match the electrical socket, have the outlet replaced with a suitable type by a qualified electrician.
- Never install the appliance in environments where the temperature may reach 0°C (32°F) or lower (the appliance may be damaged if the water freezes).

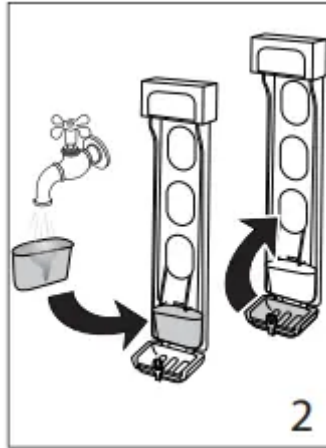
ANTICHLORINE FILTER

The filter eliminates the taste of chlorine in the water. To install the filter, proceed as follows:

- Release the filter support from its slot by pulling it upwards (fig. 1).



- Remove the Antichlorine filter from the plastic sachet and rinse it under a running tap (fig. 2).
- Open the filter support and carefully put the filter in place as shown in fig. 2.
- Close the filter container carefully (fig. 2), and reposition it in its slot, pushing it firmly downwards.



- The Antichlorine filter should be replaced after 80 cycles, and at least after every 6 months of operation.

FIRST USE

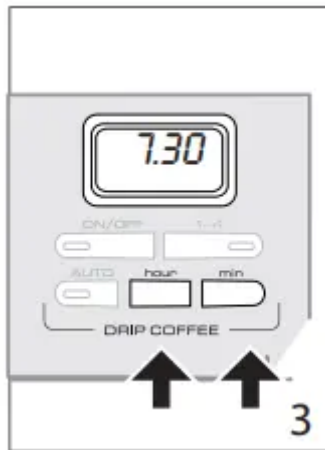
When using the appliance for the first time, all the accessories and the internal circuits must be washed as follows:

- DRIP COFFEE MAKER: Make at least two carafes of coffee without using ground coffee.
- ESPRESSO MAKER: Make at least four cappuccinos without using ground coffee and using water instead of milk.

PREPARATION OF DRIP COFFEE

Setting the clock

When the coffee machine is connected to the outlet for the first time, "AM 0:00" will flash on the display. To set the time, proceed as follows:



1. Press the “hour” button (Fig. 3) for about 2 seconds until the number of hours on the display begins to increase.
2. Before the display stops flashing (about 5 seconds), set the hour by pressing the “hour” button repeatedly.
3. Set the minutes by pressing the “min” button (Fig. 3) repeatedly. (To speed up the operation, hold the button down.)
4. After setting the time, wait 5 seconds. When the display stops flashing, the time set is stored. To reset the time, press the HOUR button for about 2 seconds, and then follow the procedure as described starting from point 2.

Programming the automatic start (AUTO BUTTON)

The appliance can be programmed to make drip coffee automatically. First, make sure that the time is set correctly. To set the delayed start (i.e. the time you want the coffee to be made), proceed as follows:

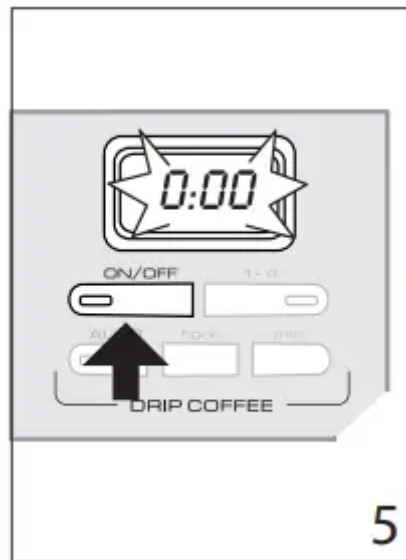


1. Press the AUTO button (Fig. 4) for about 2 seconds until 0:00 flashes on the display.
2. Before the display stops flashing (about 5 seconds), set the desired hour by pressing the “hour” button repeatedly

3. Set the minutes by pressing the “min” button repeatedly.
4. After 5 seconds, the display will stop flashing and the programmed time will be stored.
5. After you have programmed the machine as described above, just press the AUTO button to have coffee made at the time set (the AUTO indicator light will illuminate).

Length of warming time (Automatic shutoff time)

The appliance is factory-set to keep the coffee warm for two hours after startup. However, this setting can be changed as follows:



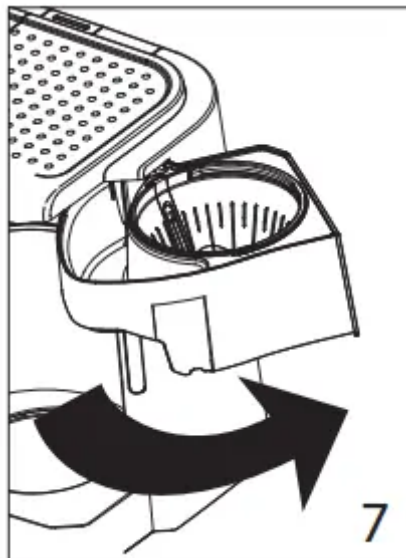
1. Press the ON/OFF button (Fig. 5) for about 2 seconds until 0:00 flashes on the display.
2. Modify the time by repeatedly pressing the HOUR button (and also the MIN button if required).
3. After setting the time, wait 5 seconds. When the display stops flashing, the time will be stored.

“1-4” cups button

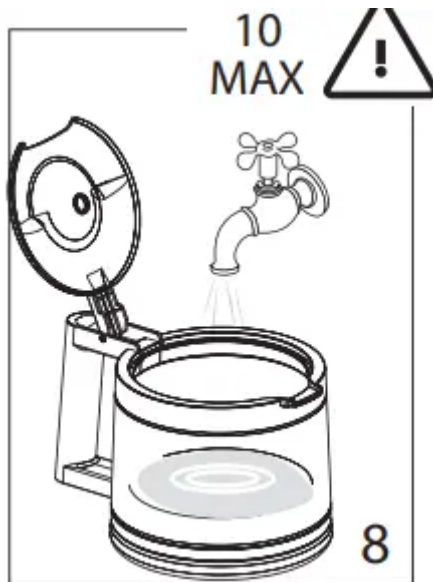
You can enhance the flavor of your coffee by pressing the “1- 4” button after the “ON/ OFF” button. This feature activates a unique brewing process, slowly releasing water into the filter basket; saturating coffee grounds a little at a time extracting the best flavor and aroma from your coffee. To activate, press the “1-4” button (fig. 6); the light on the button will illuminate. Press the button again to turn the selection off. Do not use this button if brewing an entire carafe of coffee. You can select this function even when using the auto function



Making drip coffee



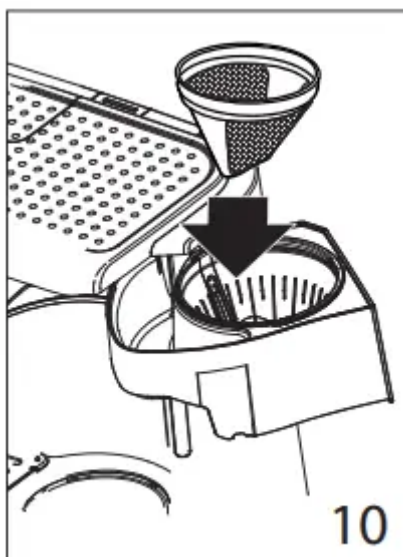
- Open the filter-holder door, rotating it towards the right (fig. 7).
- Fill the carafe to the level indicator relative to number of cups of coffee you wish to prepare, taking care not to exceed the MAX level of 10 cups (fig. 8), otherwise, in order to not overflow the machine, the excess water will spill out from the back of the unit.



- Then pour the water into the water-fill compartment of the appliance (fig. 9).



- Position the gold tone filter into the filter-holder (fig. 10).



- Put the ground coffee in the filter using the measuring spoon supplied and level it off evenly (fig. 11). As a general rule, use a level measure of coffee (approx 7 grams) for every cup of coffee required (for example, 10 measures to obtain 10 cups).



- Close the filter-holder door and place the carafe, with cover in place, onto the warming plate.
- Press the ON/OFF button. The light on the button indicates that the drip coffee-maker is in operation.
- The coffee will begin to dispense after a short time

It is perfectly normal for the appliance to emit steam while the coffee is percolating. To keep the coffee hot after the percolation process has finished, place the carafe on the hot plate and leave the machine turned on (with the drip coffee light on): the coffee in the carafe will be kept at the right temperature

- To turn off the machine press the ON/OFF switch.

ESPRESSO COFFEE

The first time you use the appliance, wash all accessories and rinse the internal circuits by proceeding as though you were making coffee until you have used at least two tanks of water. You can then proceed to make coffee.

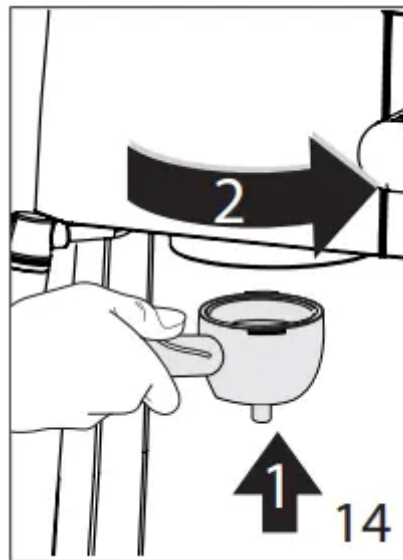
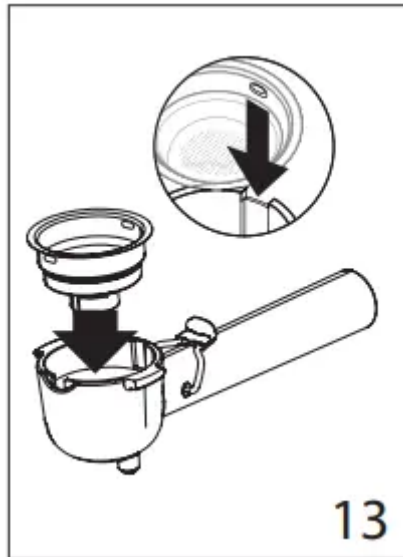
Preheating the coffee unit

To make espresso coffee at the right temperature, the coffee maker should be preheated as follows:



1. Press the ON/OFF switch (fig. 12) to turn the appliance on. The power light (B3) comes on.



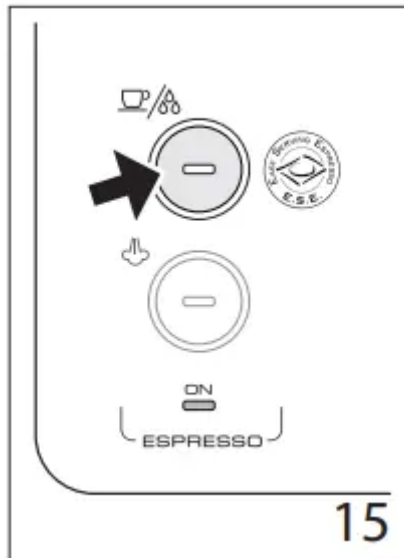
2. Insert the filter to the filter holder (fig. 13). Make sure the filter is correctly inserted in the slot. Attach the filter holder with filter to the appliance (fig. 14) without adding preground coffee. Use the smaller filter to make one coffee or the larger filter to make two coffees.



3. Place a cup under the filter holder. Use the same cup as will be used to prepare the coffee in order to preheat it.

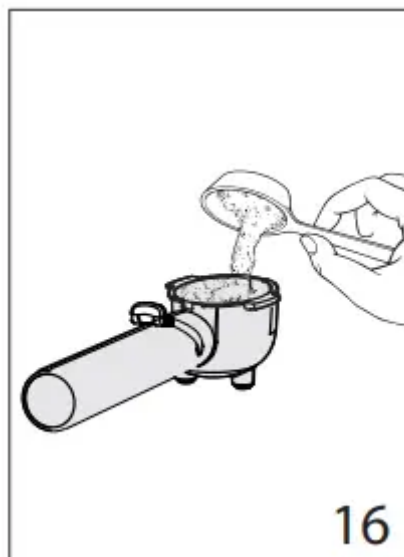
4. Wait until the  light comes on and immediately afterwards press the  button (fig. 15). Continue delivering water until the light goes off, then interrupt delivery by pressing the same button and empty the cup.

(It is normal for a small and harmless puff of steam to be given off when removing the filter holder).

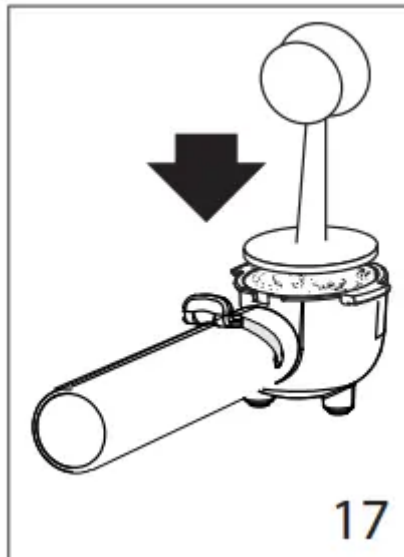


How to make espresso coffee using preground coffee

1. After preheating the appliance and filter holder as described in the previous paragraph, use the smaller filter to make one coffee or the larger filter to make two coffees.
2. To make just one coffee, place one level measure of pre-ground coffee (about 7 g) in the filter (fig. 16). To prepare two coffees, place two loosely filled measures (about 6+6 g/ 2+2 tablespoons) of pre-ground coffee in the filter. Fill the filter a little at a time to prevent the pre-ground coffee from overflowing.

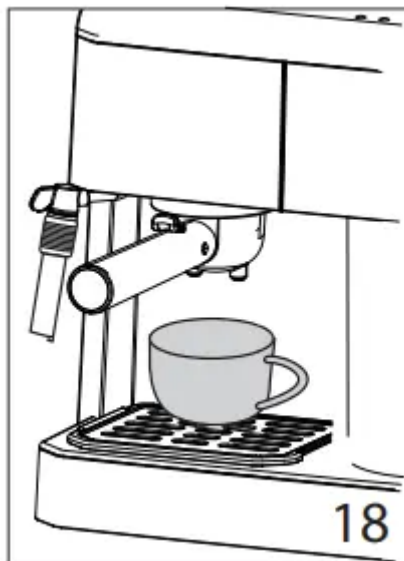



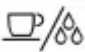
3. Distribute the pre-ground coffee evenly and press lightly with the tamper (fig. 17). Correct pressing of the pre-ground coffee is essential to obtain a good espresso. If pressing is excessive, coffee delivery will be slow and the froth will be dark. If pressing is too light, coffee delivery will be too rapid and the froth will be weak and light coloured.



4. Remove any excess coffee from the rim of the filter holder and attach to the appliance. Turn as far as it will go (fig. 14) to avoid water leaking out.

5. Place the cup or cups under the filter holder spouts (fig. 18). You are recommended to warm the cups before making coffee by rinsing them with a little hot water.



6. Make sure the  light is on (if off, wait until it comes on), then press the  button (fig. 15). When the desired amount of coffee has been delivered, press the same button to interrupt the flow.

7. To remove the filter holder, turn the handle from right to left.

8. To dispose of the used coffee, block the filter in place using the lever incorporated in the handle, then empty the grounds by turning the filter holder upside down and tapping it firmly (fig. 19).





9. To turn the appliance off, press the ON/OFF button on the left side of the machine.

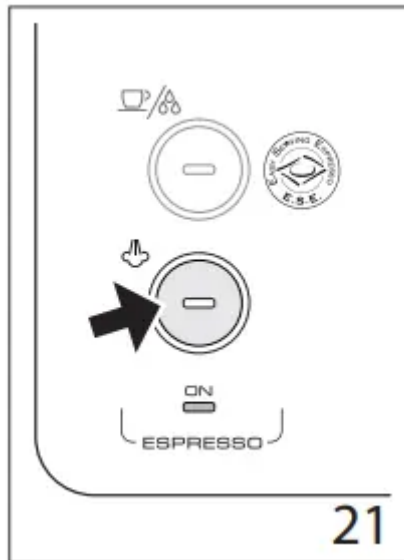
How to prepare espresso coffee using pods

1. Preheat the appliance as described in the section “PREHEATING THE COFFEE UNIT”, making sure the filter holder is attached. This obtains a hotter coffee.
2. Place the small filter in the filter holder, making sure the filter is correctly inserted in the slot as shown in fig. 13.
3. Insert the pod, centering it as far as possible on the filter (fig. 20). Always follow the instructions on the pod pack to position the pod on the filter correctly.
4. Attach the filter holder to the appliance. Always turn as far as it will go (fig. 14).
5. Proceed as in points 5, 6 and 7 in the previous section.

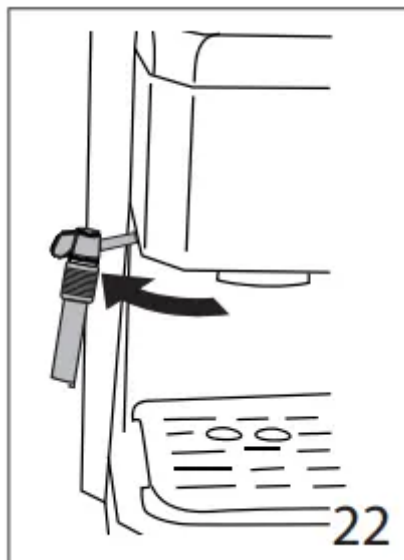
HOW TO MAKE CAPPUCCINO OR LATTE

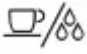
1. Prepare the espresso coffees as described in the previous sections, using sufficiently large cups.
2. Press the  button.
3. In the meantime, fill a pitcher with about 3.5 oz/100 grams for each cappuccino or 6 oz/ 170 grams for each latte to be prepared. In choosing the size of the pitcher, bear in mind that the milk doubles or triples in volume.
4. *Models with adjustable cappuccino only: Make sure the ring on the cappuccino maker is positioned downwards in the CAPPUCCINO position and place the pitcher containing the milk under the cappuccino maker.

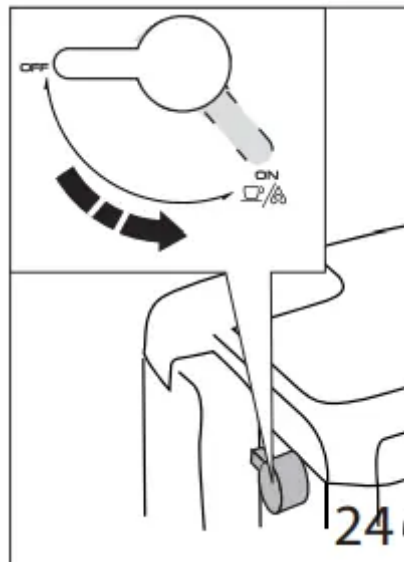
5. Wait until the  light comes on (fig. 21). The light comes on to indicate that the boiler has reached the ideal temperature for steam production. As the boiler heats up, it is normal for a little water and steam to be given off into the drip tray.




6. Remove the cappuccino maker by rotating to the left (fig. 22). During this operation, avoid touching the boiler outlet as it is hot. Then place the recipient containing the milk under the cappuccino maker.



7. Dip the cappuccino maker in the milk for a few millimetres (fig. 23). Turn the steam dial to the  ON position (fig. 24). Steam is delivered from the cappuccino maker, giving the milk a creamy frothy appearance. For a creamier froth, immerse the cappuccino maker in the milk and move the container with slow up/down movements.



8. When the required temperature (the ideal is 60°C/140°F) and froth density is reached, interrupt steam delivery by turning the steam dial to the OFF position and press the  button

9. Pour the frothed milk into the cups containing the espresso coffee prepared previously. The cappuccino is ready. Sweeten to taste and if desired, sprinkle the froth with a little cocoa powder.

MAKING HOT MILK (WITHOUT FROTH) (*MODELS WITH ADJUSTABLE CAPPUCCINO ONLY)

To make hot milk without froth, proceed as described in the above section, making sure the ring on the cappuccino maker is positioned upwards in the “HOT MILK” position.

CLEANING THE CAPPUCCINO MAKER AFTER USE

Important: For hygiene reasons, the cappuccino maker should always be cleaned after use. Proceed as follows:

1. Deliver a little steam for a few seconds by turning the steam dial (fig. 24). This causes the cappuccino maker to discharge any milk left inside. Turn the appliance on again by pressing the ON/OFF button.

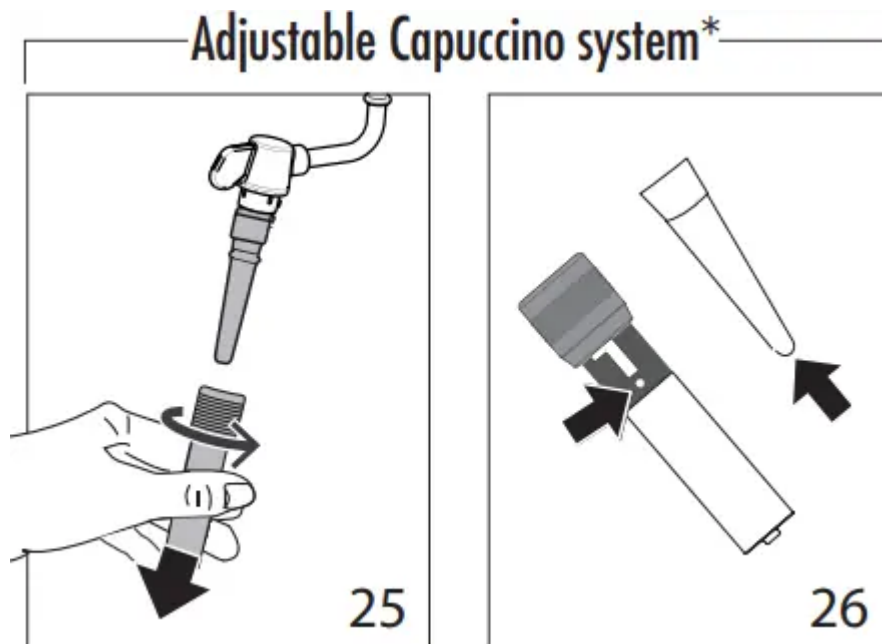
*** Models with adjustable cappuccino maker:**

2. With one hand, hold the cappuccino maker spout firmly, with the other, release the cappuccino maker by turning it anticlockwise, then pull off downwards (fig. 25).

3. Remove the steam connection nozzle from the spout by pulling it downwards.

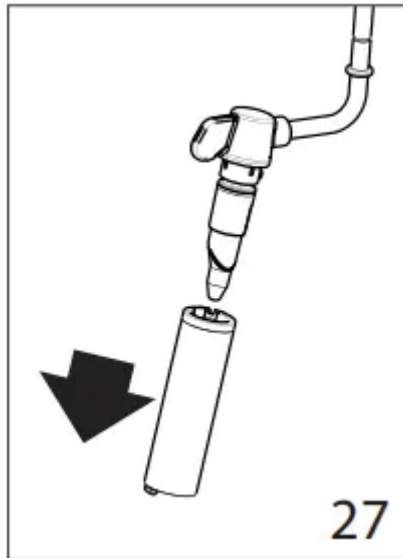
4. Wash the cappuccino maker and steam connection nozzle thoroughly with warm water.

5. Move the ring upwards and make sure the two holes shown by the arrows in fig. 26 are not blocked. If necessary, clean with a pin.

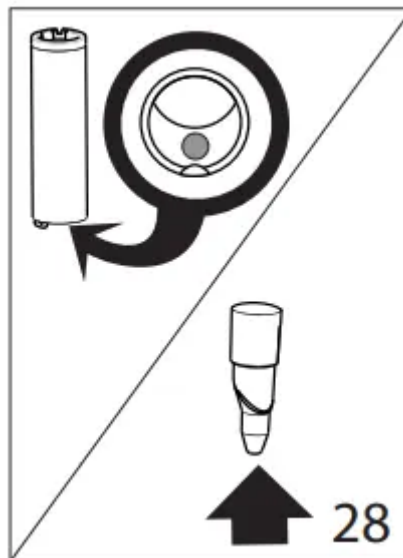


*** Models with cappuccino maker:**

2. With one hand, hold the cappuccino maker spout firmly, with the other, release the cappuccino maker by turning it anticlockwise, then pull off downwards (fig. 27).



3. Remove the steam connection nozzle from the spout by pulling it downwards.
4. Wash the cappuccino maker and steam connection nozzle thoroughly with warm water.
5. Make sure the two holes shown by the arrows in fig. 28 are not blocked. If necessary, clean with a pin.








***All models**

6. Put the steam connection nozzle back, pressing forcefully upwards to insert it onto the steam tube.
7. Replace the cappuccino maker by pushing upwards and turning clockwise.

HOT WATER

1. Press the ON/OFF switch (fig. 12) to turn the appliance on. The power light comes on.

2. Wait until the  light comes on.
3. Place a recipient under the cappuccino maker.
4. When the  light comes on, press the  button (fig. 15) and at the same time turn the steam dial to  ON (fig. 24). Water comes out of the cappuccino maker.
5. To interrupt hot water delivery, press the  button again and turn the steam dial to OFF.

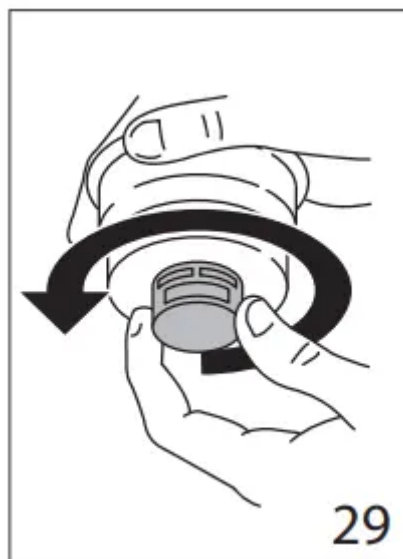
You should not deliver hot water for more than 60 seconds

CLEANING

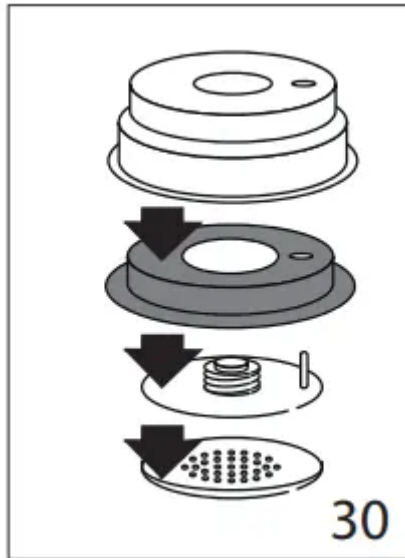
Espresso coffee filter cleaning and maintenance

About every 300 coffees or when the coffee is delivered from the filter holder a drop at a time or not at all, clean the pre-ground coffee filters and filter holder as follows:

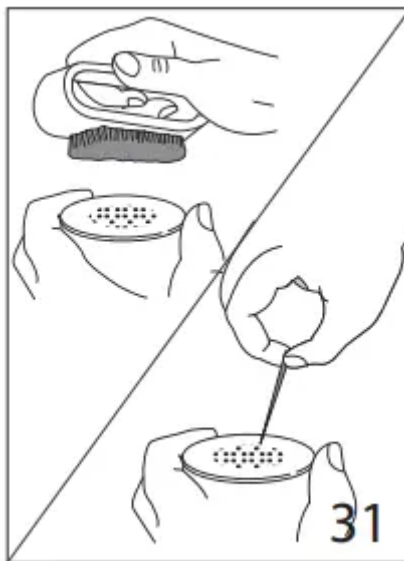
- Remove the filter from the filter holder.
- Remove the filter cap (fig. 29) by unscrewing in the direction indicated by the arrow on the cap.



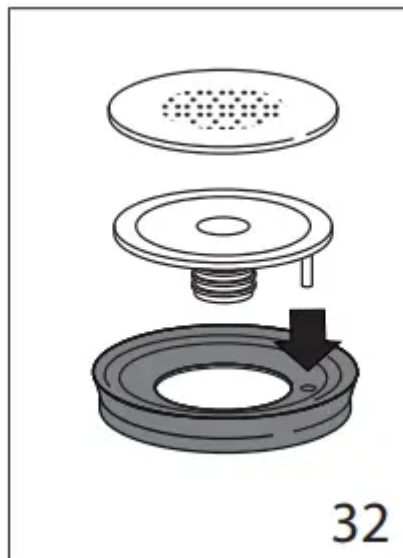
- Remove the frother from the container by pushing it from the cap end (fig. 30).
- Remove the gasket (fig. 30)



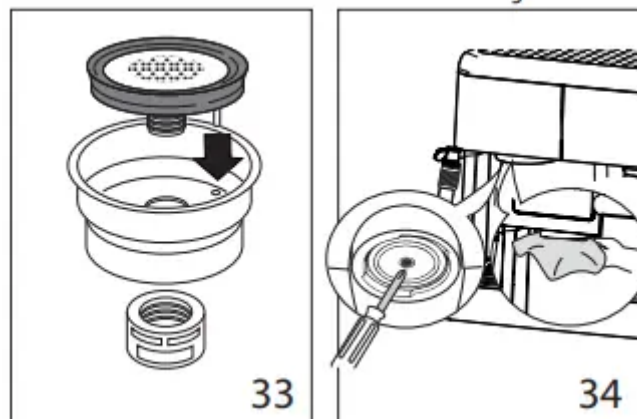
- Rinse all components and clean the metal filter thoroughly in hot water using a brush (fig. 31). Make sure the holes in the metal filter are not blocked. If necessary, clean with a pin (see fig. 31).



- Replace the filter and gasket on the plastic disk as shown in fig. 32. Make sure to insert the pin on the plastic disk into the hole in the gasket indicated by the arrow in fig. 32.



- Replace the assembly in the steel filter container (fig. 33), making sure the pin is inserted in the hole in the support (see arrow in fig. 33).



- Finally, screw on the cap

Cleaning the boiler outlet

About every 300 coffees, the espresso boiler outlet must be cleaned as follows:

- Make sure the appliance is not hot and that it is unplugged from the mains;
- Use a screwdriver to release the screw fixing the espresso boiler outlet (fig. 34);
- Remove the boiler outlet;
- Clean the boiler with a damp cloth (fig. 34);
- Clean the outlet thoroughly with hot water using a brush. Make sure the holes are not blocked. If necessary, clean with a pin (fig. 31).
- Rinse under running water, brushing all the time.
- Replace the boiler outlet, making sure it is correctly positioned on its gasket.

Failure to clean as described above invalidates the guarantee.

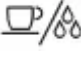
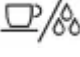
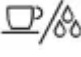
Other cleaning operations

1. Do not use solvents or abrasive detergents to clean the coffee maker. Use a soft damp cloth only.
2. Clean the filter holder, filters, drip tray and water tank regularly. To empty the drip tray, extract the cup tray grille, remove the water and clean the tray with a cloth: then reassemble the drip tray

DESCALING

Descaling the espresso coffee unit

We recommend descaling the coffee maker about every 200 coffees. We recommend using commercially available De'Longhi descaler. Proceed as follows:

1. Remove the water softener filter and fill the tank with the descaler solution, obtained by diluting the descaler with water following the instructions on the pack.
2. Press the ON/OFF switch (fig. 12) to turn the appliance on. The power light comes on.
3. Make sure the filter holder is not attached and position a recipient under the boiler outlet.
4. Press the  button and deliver about 1/4 of the solution in the tank, turning the steam dial at intervals to allow a little solution to flow out through the cappuccino maker spout. Then stop the flow by pressing the  button again and leave the solution to act for about five minutes.
5. Repeat point 4 a further 3 times until the tank is completely empty.
6. To eliminate residues of solution and scale, rinse the tank well, fill with clean water (without descaler).
7. Press the  button (fig. 15) and deliver water until the tank is completely empty.
8. Repeat operations 6 and 7 again. Repair of damage to the coffee maker caused by scale is not covered by the guarantee unless descaling is performed regularly as described above

Descaling the drip coffee unit

Over time, calcium in the water may cause obstructions, reducing the efficiency of the coffee maker. You are recommended to descale the coffee maker about every 40 coffees. To descale, always use special commercially available descaling products for drip coffee makers

1. Dilute the product in the jug, following the instructions on the descaler pack;
2. Remove the antichlorine filter and pour the descaler solution into the tank;
3. Place the jug on the warming plate;
4. Press the ① switch, percolate the equivalent of one cup and then switch off the appliance;
5. Leave the solution to work for 15 minutes, then repeat operations 4 and 5.
6. Turn the appliance on and deliver the water until the tank is completely empty.
7. Rinse by operating the appliance with water only at least 3 times (3 complete tanks of water).

TECHNICAL CHARACTERISTICS

Voltage: 115V~60Hz

Voltage: 1500 W

Size LxDxH: 370 x 305 (or 400) x 325 mm

Pressure: 15 bar

“Espresso” boiler: Stainless steel

“Espresso” water tank capacity: 1,2 L

“Drip coffee” water tank capacity: 1,4 L

Cable length: 1200 mm

Weight: 13,89Lb/6,3 kg

TROUBLESHOOTING



PROBLEM	POSSIBLE CAUSE	SOLUTION
No espresso coffee is delivered	No water in the tank	Fill the tank with water
	The holes in the filter holder are blocked	Clean the filter holder spout holes
	The espresso boiler outlet is blocked	Clean as described in the section "13.2 Cleaning the boiler outlet"
	Scale/hard water deposits in the water circuit	Perform the descaling procedure as described in the section "8. espresso coffee"
	The tank is not correctly in place and the valve on the bottom is not open	Press the tank down lightly to open the valve on the bottom
The espresso coffee drips from the edges of the filter holder rather than the holes	The filter holder is inserted incorrectly	Attach the filter holder correctly and rotate firmly as far as it will go
	The espresso boiler gasket has lost elasticity	Have the espresso boiler gasket replaced by Customer Services
	The holes in the filter holder spouts are blocked	Clean the spout holes.
The pump is excessively noisy	The water tank is empty	Fill the tank
	The tank is not correctly in place and the valve on the bottom is not open	Press the tank down lightly to open the valve on the bottom
The espresso coffee is cold	The espresso coffee OK light was not on when the coffee switch was pressed	Wait until the OK light comes on
	No preheating was done	Preheat as described in the section "8.1 Preheating the coffee unit"
	The cups were not preheated	Heat the cups by rinsing them in hot water or standing them on the cup warmer tray for at least 20 minutes

	Scale/hard water deposits in the water circuit	Perform the descaling procedure as described in the section “8. espresso coffee”
The coffee froth is too light (delivered from the spout too fast)	The pre-ground coffee is not pressed down firmly enough	Press the pre-ground coffee down more firmly (fig. 18)
	There is not enough pre-ground coffee	Increase the quantity of pre-ground coffee
	The pre-ground coffee is too coarse	Use only pre-ground coffee for espresso coffee makers
	The wrong type of pre-ground coffee is being used	Change the type of pre-ground coffee
The coffee froth is too dark (delivered from the spout too slowly)	The pre-ground coffee is pressed down too firmly	Press the coffee down less firmly (fig. 17)
	There is too much pre-ground coffee	Reduce the quantity of pre-ground coffee
	The espresso boiler outlet is blocked	Clean as described in the section “13.2 Cleaning the boiler outlet”.
	The pre-ground coffee is too fine or damp	Use pre-ground coffee for espresso coffee makers only and make sure it is not too damp
	The wrong type of pre-ground coffee is being used	Use a different type of pre-ground coffee
The filter holder cannot be attached to the appliance	Too much coffee has been placed in the filter	Use the measure supplied and make sure you are using the correct filter for the type of preparation
No milk froth is formed when making cappuccino	Milk not cold enough	Always use semi-skimmed milk at refrigerator temperature
	Cappuccino maker dirty	Thoroughly clean the holes in the cappuccino maker, in particular those indicated in fig. 26-28

Thoroughly clean the holes in the cappuccino maker, in particular those indicated in fig. 26-28	Inadequate rinsing after descaling	Rinse the appliance as described in the section “14.1 Descaling the espresso coffee unit” or “14.2 Descaling the drip coffee unit”
The drip coffee takes longer to percolate	The drip coffee maker needs to be descaled	Perform the descaling procedure as described in the section “14.2 Descaling the drip coffee unit”

IMPORTANT SAFEGUARDS

When using electrical appliances, basic safety precautions should always be followed, including the following:

- Read all instructions.
- Do not touch hot surfaces. Use handles and knobs.
- To protect against fire, electrical shock and personal injury, do not immerse cord, plug or appliance in water or other liquid.
- Never allow the appliance to be used by children.
- Unplug from the outlet when not in use and before cleaning. Allow to cool before fitting or taking off parts, and before cleaning the appliance.
- Do not operate with a damaged cord or plug, or after the appliance malfunctions, or has been damaged in any manner. Return the appliance to the nearest authorized service facility for examination, repair or adjustment.
- The use of accessory attachments or spare parts not recommended by the appliance manufacturer may result in fire, electrical shock or personal injury.
- Do not use outdoors.
- Do not let the cord hang over the edge of the table or counter, or touch hot surfaces.
- Do not place on or near a hot gas or electrical burner, or in a heated oven.
- Plug cord into the wall outlet. To disconnect, turn any control to “off”, then remove plug from wall outlet.
- Do not use the appliance for other than the intended use. This appliance is to be utilized for domestic use only. Any other use is to be considered improper and, therefore, dangerous.
- For machines with glass carafe:
 - A. The carafe is an accessory to be used exclusively with this appliance. Never use it on a cooking surface.
 - B. Do not set the hot container on a damp or cold surface.

- C. Do not use the carafe if it is cracked or the handle is not completely sturdy.
- D. Do not use abrasive detergents or sponges to clean.

SHORT CORD INSTRUCTIONS

- A short power cord is provided to reduce risks resulting from becoming entangled in or tripping over a longer cord.
- Longer, detachable power supply cords or extension cords are available and may be used if care is exercised in their use.
- If an extension cord is used, the marked electrical rating should be at least as great as the electrical rating of the appliance. If the appliance is provided with 3- wire, grounding type cord, the extension should be a GROUNDING TYPE 3 - WIRE CORD. The longer cord should be arranged so that it will not drape over the counter-top or table top where it can be pulled on by children or tripped over.
- Your product is equipped with a polarized alternating current line plug (a plug having one blade wider than the other). This plug will fit into the power outlet only one way. This is a safety feature. If you are unable to insert the plug fully into the outlet, try reversing the plug. If the plug should still fail to fit, contact your electrician to replace your obsolete outlet. Do not defeat the safety purpose of the polarized plug.

SAFETY WARNINGS

- This appliance is designed to “make coffee” and “hot drinks”. Use with care to avoid scalds from the water and steam jets or through incorrect use.
- Never touch hot parts.
- After removing the packaging, make sure the product is complete. If in doubt, do not use the appliance and contact a De'Longhi customer service representative.
- The packing elements (plastic bags, polystyrene foam, etc.) should be kept out of reach of children as they are a safety hazard.
- This appliance is intended for domestic use only. Any other use is considered improper and thus dangerous.
- The manufacturer cannot be held responsible for any damage caused through incorrect, wrong or unreasonable use.
- Never touch the appliance with wet or damp hands.
- Never let children use the appliance without supervision.
- Never allow children to play with the appliance.

- Should the appliance break or not function correctly, turn it off and do not tamper with it. For all repairs, contact authorized service centers only and insist on the use of original spare parts. Failure to respect the above could reduce the safety of the appliance.
- The power cord for this appliance must not be replaced by the user as this operation requires the use of special tools. In the event of damage, contact an authorized service center only to avoid all risks.

Warning

This content is compiled from multiple sources and is provided for reference purposes only. It may not be complete or fully applicable to all situations. If you are unable to resolve your issue, please contact the product manufacturer or an authorized service provider for official support.