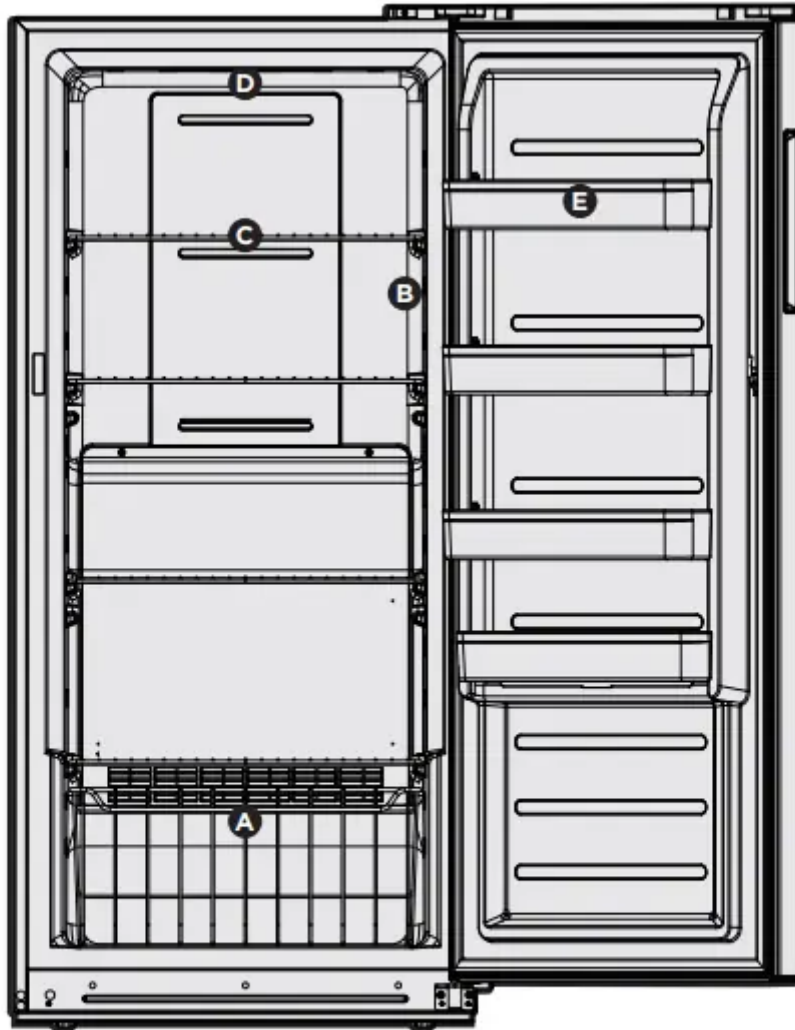


## Use & Care Guide CONVERTIBLE UPRIGHT FREEZER

\*Features may vary according to model



<b>A</b>	Wire Basket
<b>B</b>	Appliance Control (Internal)
<b>C</b>	Adjustable Shelves

<b>D</b>	LED Light Bulb
<b>E</b>	Door Bins

## INSTALLATION

This Use & Care Guide provides general operating instructions for your model. Use the appliance only as instructed in this Use & Care Guide. Before starting the appliance, follow these important first steps. Installation

### Location

- Choose a place that is near a grounded electrical outlet. Do Not use an extension cord or an adapter plug.
- If possible, place the appliance out of direct sunlight and away from the range, dishwasher or other heat sources.

- Install the appliance on a floor that is level and strong enough to support a fully loaded appliance.

### WARNING

DO NOT install the appliance where the temperature will drop below 0°F (-18°C) or rise above 110°F (43°C). The compressor will not be able to maintain proper temperatures inside the unit.

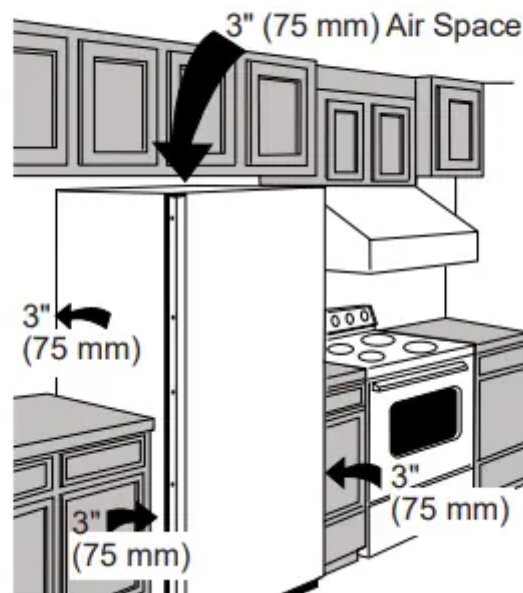
### CAUTION

Do not block the lower front of your appliance. Sufficient air circulation is essential to operate your appliance properly.

### Installation

Installation clearances Allow the following clearances for ease of installation, proper air circulation, and plumbing and electrical connections:

Sides, Top & Back 3 in. (75 mm)



### NOTE

If your appliance is placed with the door hinge side against a wall, you may have to allow additional space for the handle so the door can be opened wider.

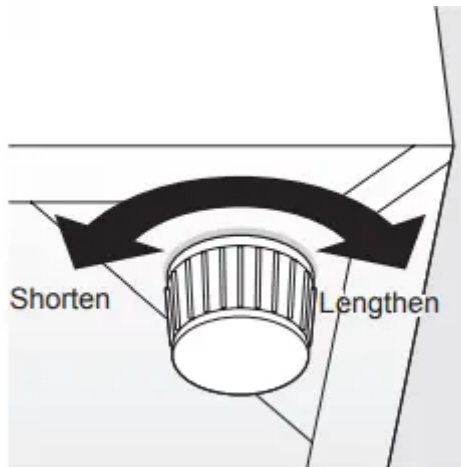
### Leveling

The appliance must have all bottom corners resting firmly on a solid floor. The floor must be strong enough to support a fully loaded unit.

### NOTE

It is VERY IMPORTANT for your appliance to be level in order to function properly. If the unit is not leveled during installation, the door may be misaligned and not close or seal properly, causing cooling, frost or moisture problems.

**To level:** Adjust the bottom feet by turning counterclockwise to shorten and clockwise to lengthen. Use a carpenter's level to level the appliance from front to back. Adjust the leveling feet in front, ½ bubble higher, so the door closes easily.



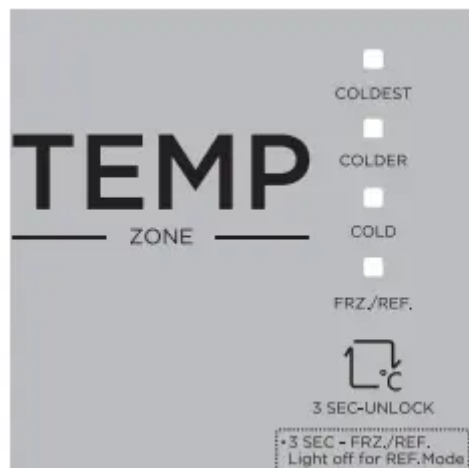
**Guidelines for final positioning of your appliance:**

- All 4 corners of the cabinet must rest firmly on the floor.
- The cabinet should be level at the front and rear.
- The door should be level.

## CONTROLS AND SETTINGS

### Cool Down Period







To ensure safe food storage, allow the appliance to operate with the door closed for at least 8 hours before loading it with food.



### Appliance Control

#### Appliance Control

Once powered on, the display screen will be fully lit for 3 seconds, and the unit will run according to the desired setting:

Control Settings	
	Press Lock/Unlock for 3 seconds to unlock the control panel. All LEDs will blink for 2 seconds when the control panel is unlocked. The control panel will automatically lock after 15 seconds of no operation.
<b>COLDEST</b>	Press  until <b>COLDEST</b> lights up for the coldest setting.
<b>COLDER</b>	Press  until <b>COLDER</b> lights up for the colder setting.
<b>COLD</b>	Press  until <b>COLD</b> lights up for the cold setting.
<b>REF/FRZ</b>	While unlocked, press  for 3 seconds. <b>REF/FRZ</b> will light up for the Freezer setting. Press  for another 3 seconds for <b>REF/FRZ</b> to light up for the Refrigerator setting.

## STORAGE FEATURES

### Shelf Adjustment

Easily adjust appliance shelves to suit individual needs. Before adjusting the shelves, remove all food.

**To adjust shelves,** lift the front of the shelf and pull forward.

**To replace shelves,** insert the rear of the shelf into any pair of shelf rails and carefully push the shelf back into position, making sure the shelf clips go in the notch in the liner.

### Door Storage

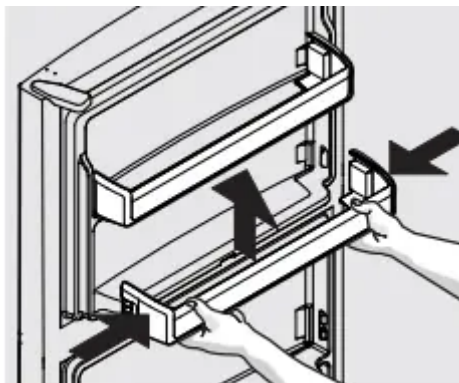
Door bins and shelves conveniently store jars, bottles, and cans. You can quickly select frequently used items.

#### To remove the door bin:

1. Push in on each side of the door bin to release it from the locking tabs.
2. Lift up on the bin and pull it straight out.

#### To install the door bins:

1. Push the bin back and down into the locking tabs.
2. The bin sides will lock into the tabs



### **Freezer Basket (some models)**

The freezer basket is ideal for large items or items that do not store well on the shelves.



## **STORING FOOD AND SAVING ENERGY**

### **Refrigerator Storage Tips**

- Operate the appliance in Refrigerator Mode to store a variety of fresh fruit, vegetables, beverages, and other food stored for a short term.
- Do not place cooked food in the refrigerator until it has cooled to room temperature.
- Seal food containers completely before storing food.

### **Freezer Storage Tips**

- Operate the appliance in Freezer Mode to store meat and other frozen food for a longer term.
- Be sure to consume frozen food within its suggested period of time.
- The appliance should be located in the coolest area of the room, away from heat producing appliances or heating ducts, and out of direct sunlight.
- Let hot foods cool to room temperature before placing in the unit. Overloading the appliance forces the compressor to run longer. Foods that freeze too slowly may lose quality or spoil.
- Be sure to wrap foods properly and wipe containers dry before placing them in the unit. This cuts down on frost build-up inside the unit.
- Shelves and baskets should not be lined with aluminum foil, wax paper, or paper toweling. Liners interfere with cold air circulation, making the freezer less efficient.
- Organize and label food to reduce door openings and extended searches. Remove as many items as needed at one time, and close door as soon as possible.

# CARE AND CLEANING

## Protecting your investment

Keeping your appliance clean maintains appearance and prevents odor build-up. Wipe up any spills immediately and clean the appliance at least twice a year. When cleaning, take the following precautions:

- Never use CHLORIDE or cleaners with bleach to clean stainless steel.
- Do not wash any removable parts in a dishwasher.
- Always unplug the electrical power cord from the wall outlet before cleaning.
- Remove adhesive labels by hand. Do not use razor blades or other sharp instruments which can scratch the appliance surface.
- Do not remove the serial plate

Do not use abrasive cleaners such as window sprays, scouring cleansers, brushes, flammable fluids, cleaning waxes, concentrated detergents, bleaches or cleansers containing petroleum products on plastic parts, interior doors, gaskets or cabinet liners. Do not use paper towels, metallic scouring pads, or other abrasive cleaning materials or strong alkaline solutions.

**NOTE:** If you set your temperature controls to turn off cooling, power to lights and other electrical components will continue until you unplug the power cord from the wall outlet.

## CAUTION

- Pull the appliance straight out to move it. Shifting it from side to side may damage flooring.
- Damp objects stick to cold metal surfaces. Do not touch refrigerated surfaces with wet or damp hands.

## Changing the LED

Light Call a qualified servicer to replace or maintain the LED bulb.

## Care & Cleaning Tips

- Interior & Door Liner
  - Soap and water
  - Baking soda and water
    - Use 2 tbsp of baking soda in 1 qt of warm water. Be sure to wring excess water out of sponge or cloth before cleaning around controls, light bulb or any electrical part.

- Door Gasket
  - Soap and water
    - Wipe gaskets with a clean soft cloth.
- Exterior (Stainless Steel Models Only)
  - Soap and water
  - Stainless Steel Cleaners
    - Never use CHLORIDE or cleaners with bleach to clean stainless steel. Clean stainless steel front and handles with nonabrasive soapy water and a dishcloth. Rinse with clean water and a soft cloth. Use a non-abrasive stainless steel cleaner. These cleaners can be purchased at [www.frigidaire.com](http://www.frigidaire.com) or major department stores. Always follow manufacturer's instructions. Do not use household cleaners containing ammonia or bleach.
    - **NOTE:** Always clean, wipe and dry with the grain to prevent scratching. Wash the rest of the cabinet with warm water and mild liquid detergent. Rinse well, and wipe dry with a clean soft cloth.

## TROUBLESHOOTING

- **Appliance does not run.**
  - Ensure plug is tightly pushed into electrical outlet.
  - Check/replace fuse with a 15-amp time-delay fuse. Reset circuit breaker.
  - The appliance control is turned to "OFF".
  - Appliance may be in defrost cycle. Wait 20 minutes and check again.
- Appliance temperature is unsatisfactory.
  - Check freezer temperatures and adjust the temperature control as needed.
- Appliance temperature is warmer than preferred.
  - Set control to a colder setting until appliance temperature is satisfactory. Allow 24 hours for the temperature to stabilize.
- Appliance is noisy or vibrates.
  - The cabinet is not level.
  - Adjust the lower legs by turning counterclockwise to shorten and clockwise to lengthen. See "Leveling" in the INSTALLATION section.
  - Floor is weak.

- Odors in appliance.
  - Interior needs to be cleaned.
  - Foods that produce odors should be covered or wrapped.
- Cabinet light not working.
  - Ensure plug is tightly pushed into electrical outlet.
  - Call a qualified servicer to replace or maintain the LED bulb.

## **LIMITED WARRANTY**

Your appliance is covered by a one year limited warranty. For one year from your original date of purchase, Electrolux will pay all costs for repairing or replacing any parts of this appliance that prove to be defective in materials or workmanship when such appliance is installed, used and maintained in accordance with the provided instructions. Exclusions If You Need Service This warranty does not cover the following:

1. Products with original serial numbers that have been removed, altered or cannot be readily determined.
2. Product that has been transferred from its original owner to another party or removed outside the USA or Canada.
3. Rust on the interior or exterior of the unit.
4. Products purchased "as-is" are not covered by this warranty.
5. Food loss due to any Appliance or freezer failures.
6. Products used in a commercial setting.
7. Service calls which do not involve malfunction or defects in materials or workmanship, or for appliances not in ordinary household use or used other than in accordance with the provided instructions.
8. Service calls to correct the installation of your appliance or to instruct you how to use your appliance.
9. Expenses for making the appliance accessible for servicing, such as removal of trim, cupboards, shelves, etc., which are not a part of the appliance when it is shipped from the factory.
10. Service calls to repair or replace appliance light bulbs, air filters, water filters, other consumables, or knobs, handles, or other cosmetic parts.
11. Surcharges including, but not limited to, any after hour, weekend, or holiday service calls, tolls, ferry trip charges, or mileage expense for service calls to remote areas, including the state of Alaska.

12. Damages to the finish of appliance or home incurred during installation, including but not limited to floors, cabinets, walls, etc.

13. Damages caused by: services performed by unauthorized service companies; use of parts other than genuine Electrolux parts or parts obtained from persons other than authorized service companies; or external causes such as abuse, misuse, inadequate power supply, accidents, fires, or acts of God.

#### **DISCLAIMER OF IMPLIED WARRANTIES; LIMITATION OF REMEDIES**

CUSTOMER'S SOLE AND EXCLUSIVE REMEDY UNDER THIS LIMITED WARRANTY SHALL BE PRODUCT REPAIR OR REPLACEMENT AS PROVIDED HEREIN. CLAIMS BASED ON IMPLIED WARRANTIES, INCLUDING WARRANTIES OF MERCHANTABILITY OR FITNESS FOR A PARTICULAR PURPOSE, ARE LIMITED TO ONE YEAR OR THE SHORTEST PERIOD ALLOWED BY LAW, BUT NOT LESS THAN ONE YEAR. ELECTROLUX SHALL NOT BE LIABLE FOR CONSEQUENTIAL OR INCIDENTAL DAMAGES SUCH AS PROPERTY DAMAGE AND INCIDENTAL EXPENSES RESULTING FROM ANY BREACH OF THIS WRITTEN LIMITED WARRANTY OR ANY IMPLIED WARRANTY. SOME STATES AND PROVINCES DO NOT ALLOW THE EXCLUSION OR LIMITATION OF INCIDENTAL OR CONSEQUENTIAL DAMAGES, OR LIMITATIONS ON THE DURATION OF IMPLIED WARRANTIES, SO THESE LIMITATIONS OR EXCLUSIONS MAY NOT APPLY TO YOU. THIS WRITTEN WARRANTY GIVES YOU SPECIFIC LEGAL RIGHTS. YOU MAY ALSO HAVE OTHER RIGHTS THAT VARY FROM STATE TO STATE.

#### **Warning**

This content is compiled from multiple sources and is provided for reference purposes only. It may not be complete or fully applicable to all situations. If you are unable to resolve your issue, please contact the product manufacturer or an authorized service provider for official support.