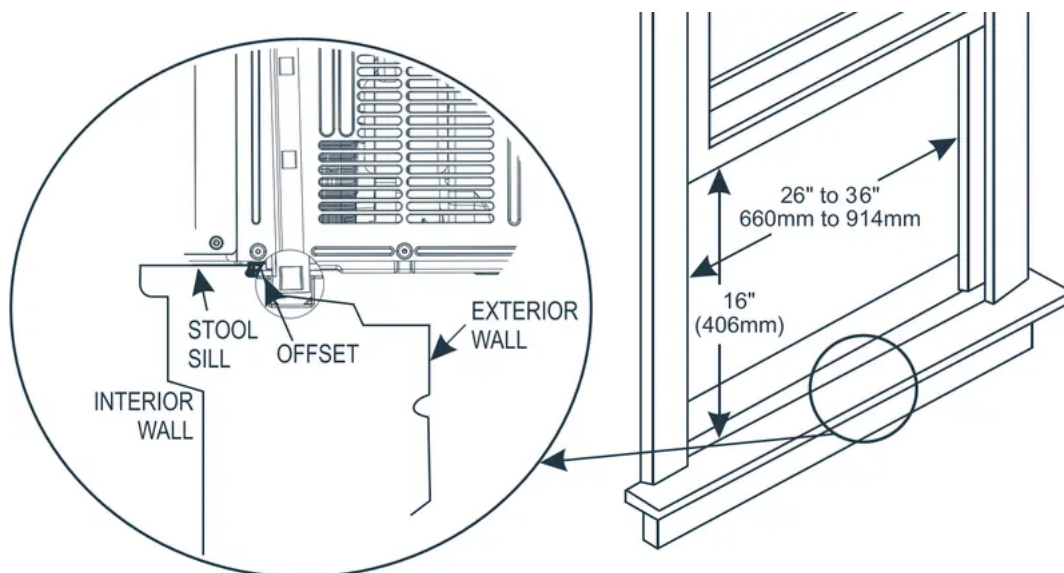


Installation & Assembly Instructions

Some assembly is required for your new air conditioner. Please read and follow these instructions carefully

1. This air conditioner is designed to be installed in a standard double-hung window with a window width between 26" and 36".
2. The air conditioner can be installed without the accordion panels to fit in a narrow window opening. See the window dimensions.
3. The Lower Sash (the lower part of the window that moves up and down) must allow for 16" of vertical clearance when open.
4. All supporting parts must be secured to firm wood, masonry, or metal.
5. The electrical outlet must be within reach of the power cord.

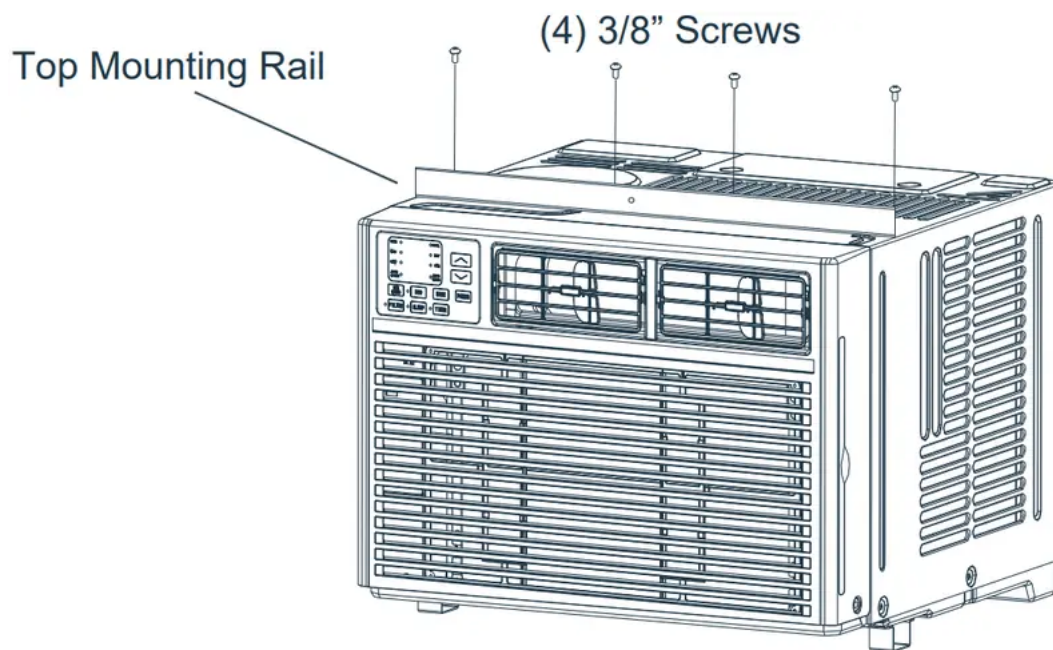


NOTE: Save the product packaging and installation instructions for future reference. Store the air conditioner in the product box when not in use for an extended period of time.

HOW TO INSTALL

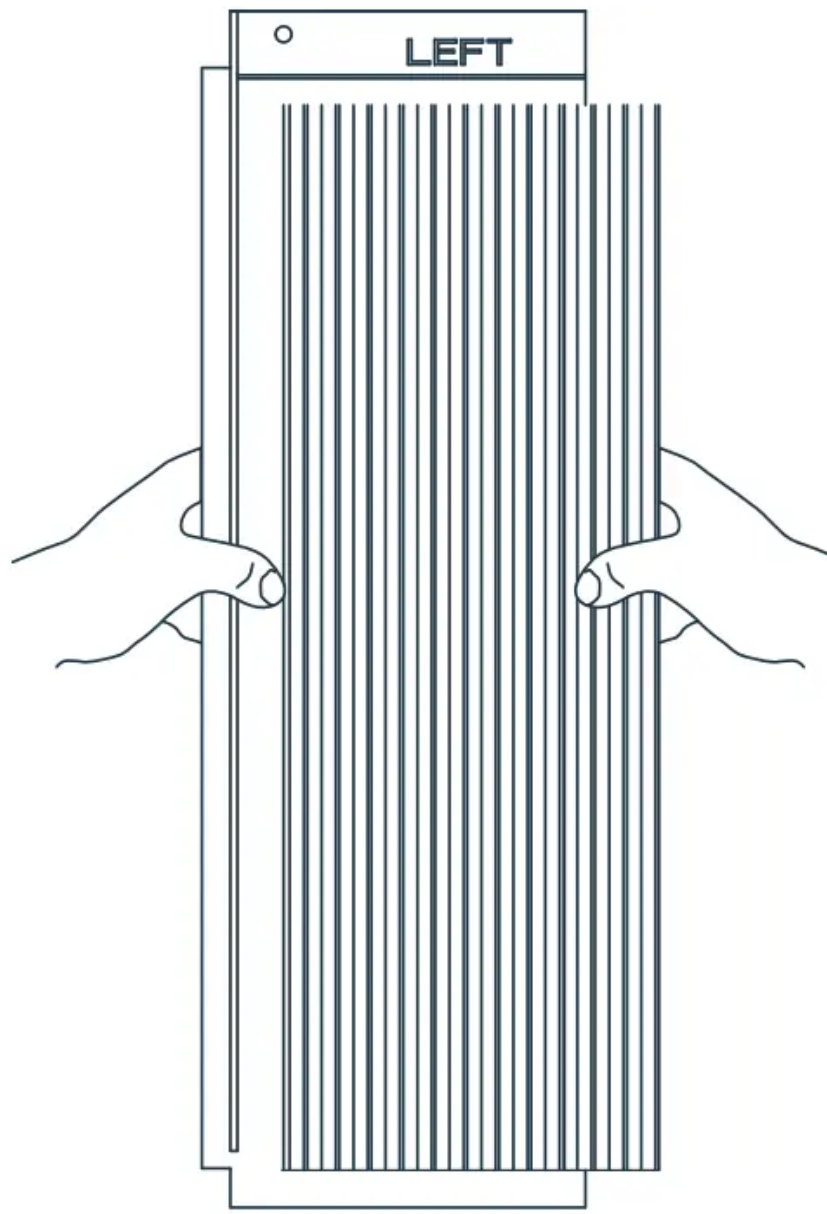
NOTE: Top Rail and Sliding Panels at each side are offset to provide the proper pitch to the rear of (5/16"). This is necessary for proper condensed water utilization and drainage. If you are not using the Side Panels for any reason, this pitch to the rear must be maintained.

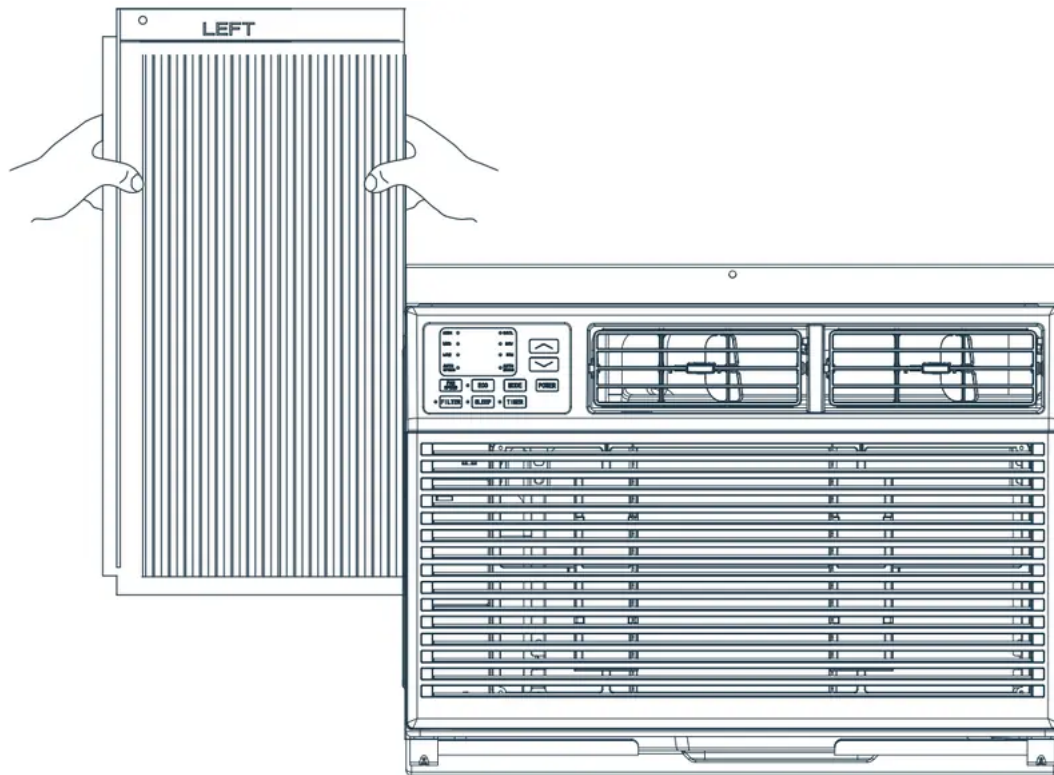
1. Use the (4) 3/8" screws to fasten the top mounting rail to the unit.



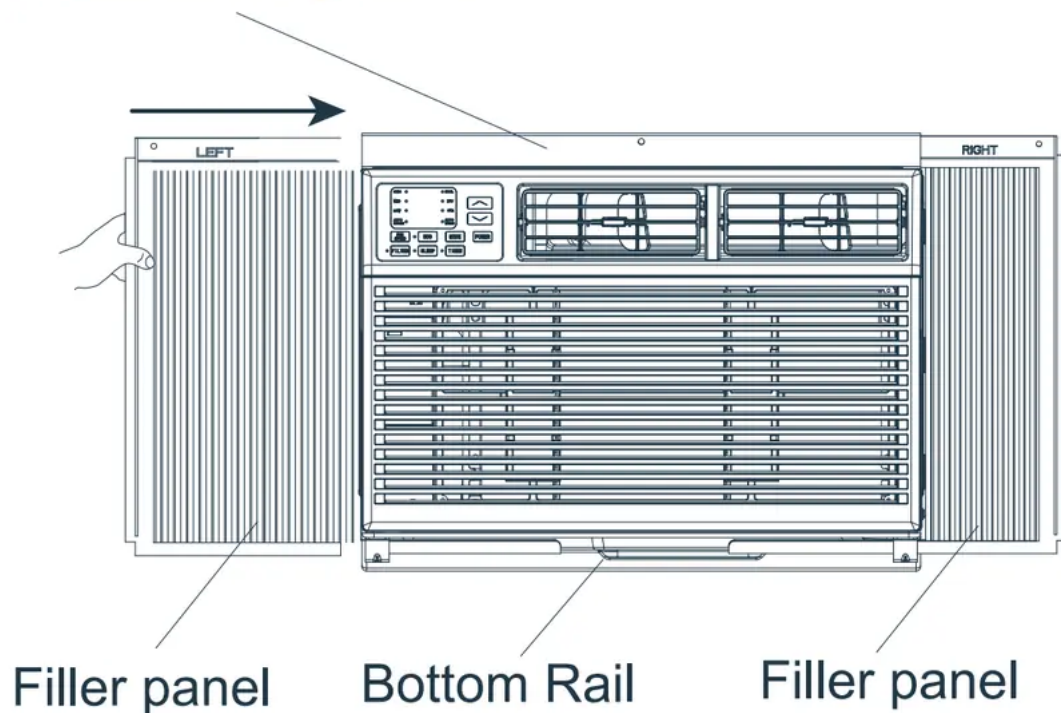
2. Fasten the accordion styled window panel expander pieces to the unit. They are marked "Right" and "Left".

Pull the leading edge to its maximum width. Then slide the panel expanders into the grooved notches (slide downward) on the sides of the unit, and make sure they are inserted into the metal rails tightly

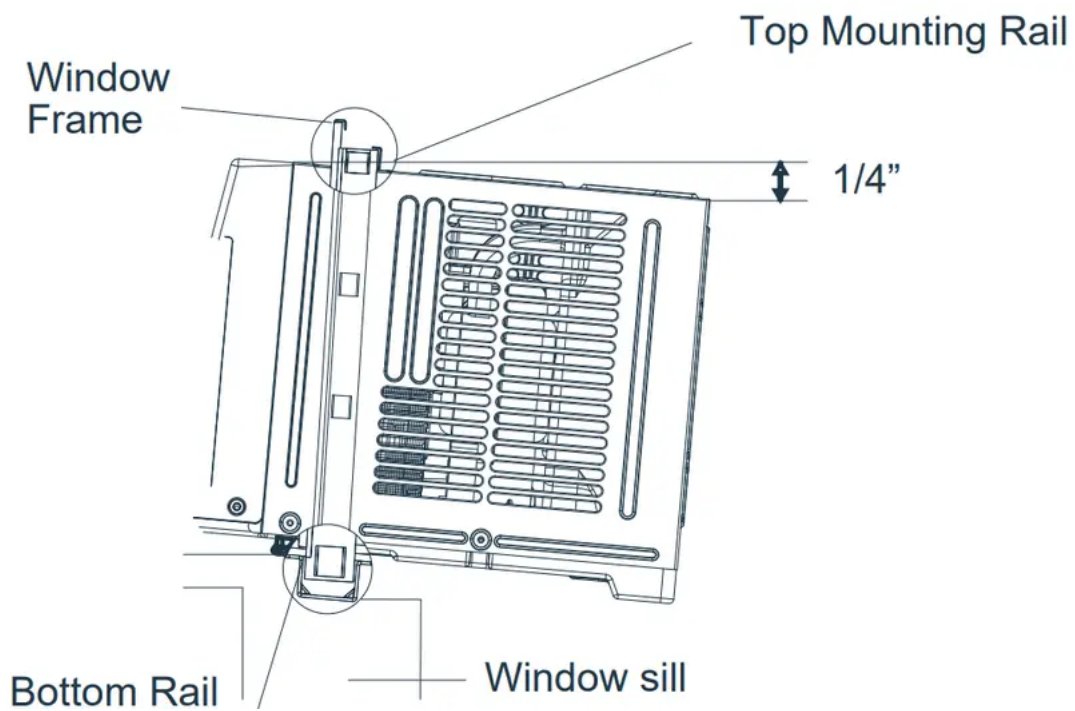




Top Mounting Rail



3. Carefully place the window air conditioner into the window where it is to be installed (it is recommended to handle by 2 people). Close the window securely. The AC unit should be slightly tilted to the outside area to allow water to drain out from the unit.

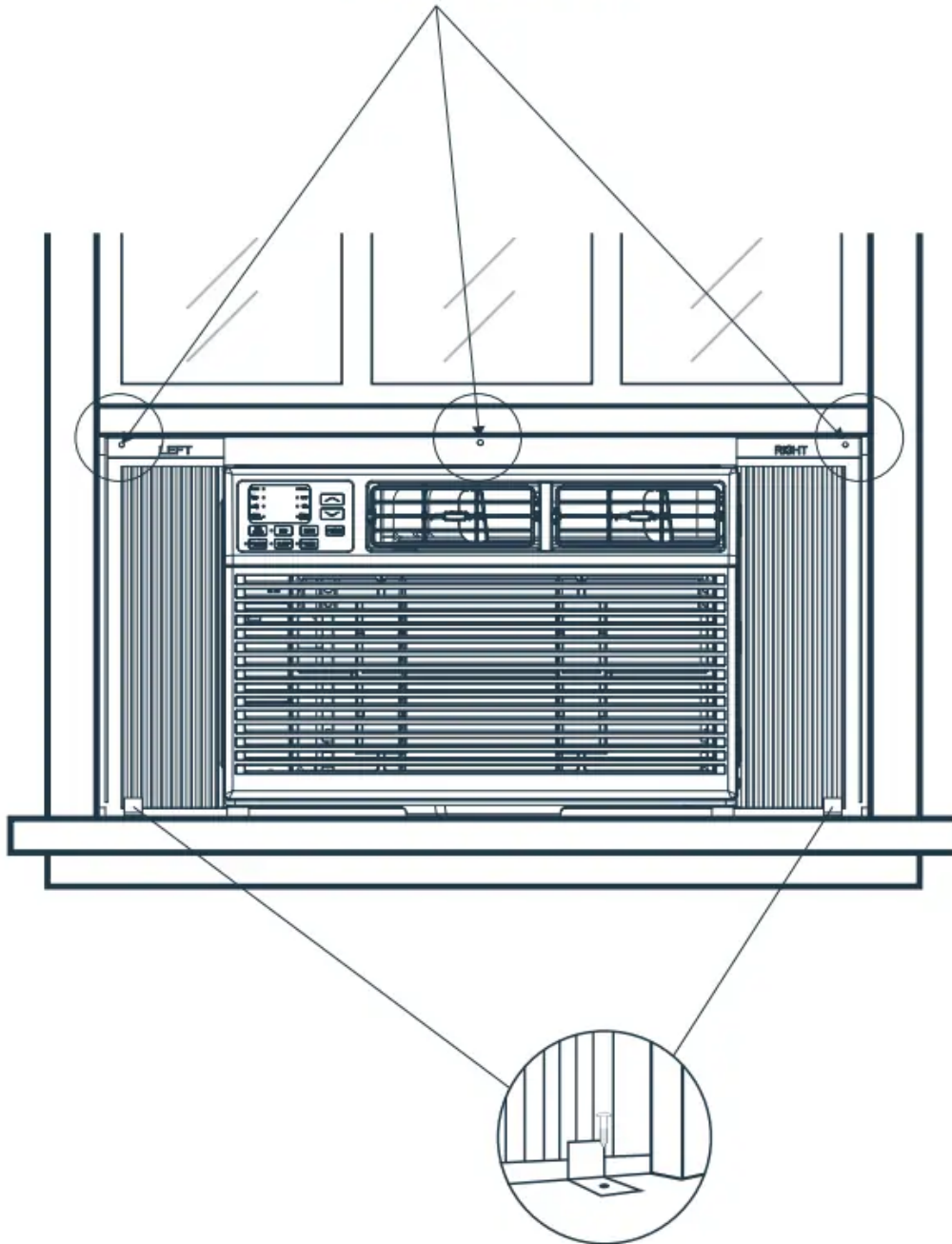


4. Fasten the air conditioner to the window frame, using the included $\frac{1}{2}$ " screws. Fasten both of the panel extenders (Left and Right). You may have to drill a pilot hole in the window frame to fasten these screws to the window sash.

Attach the lock frame between the panel extender and the window sill and fasten them together with the included $\frac{3}{4}$ " locking screw. Repeat for each side.



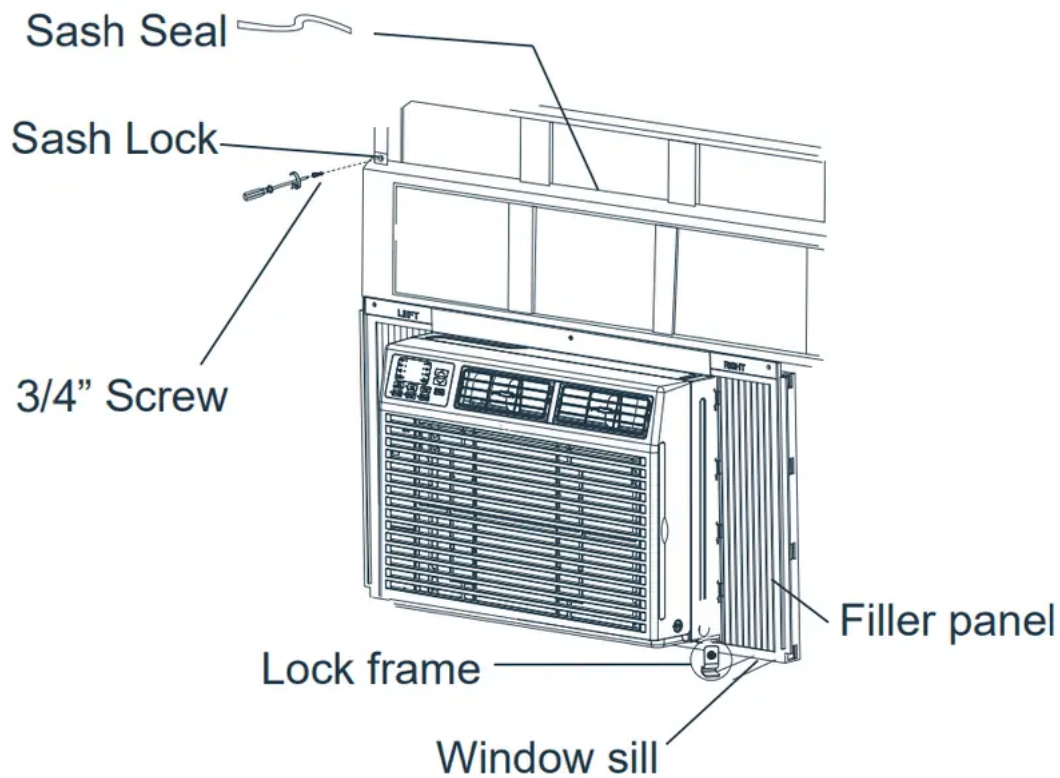
(3) 1/2" Screws



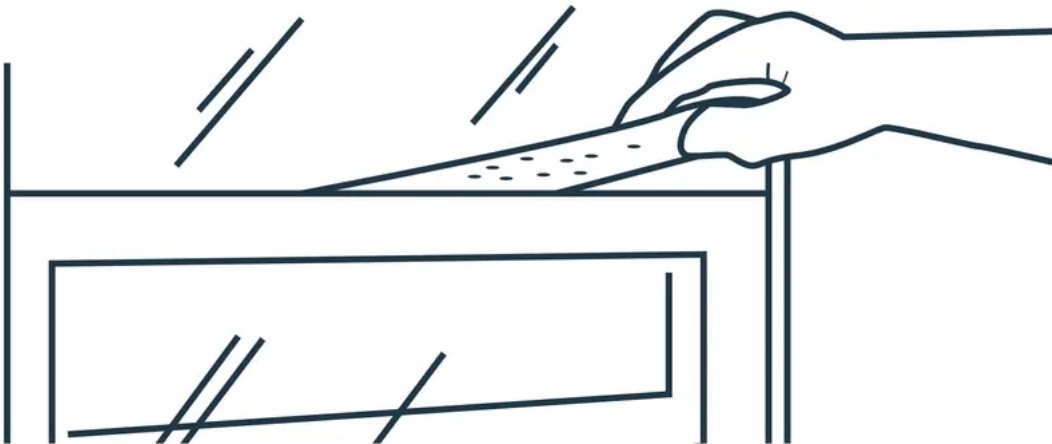
(2) 3/4" Screws

5. Attach the sash lock between the top of the sliding window and window frame, using 1 of the included 3/4" screws to secure the window closed.





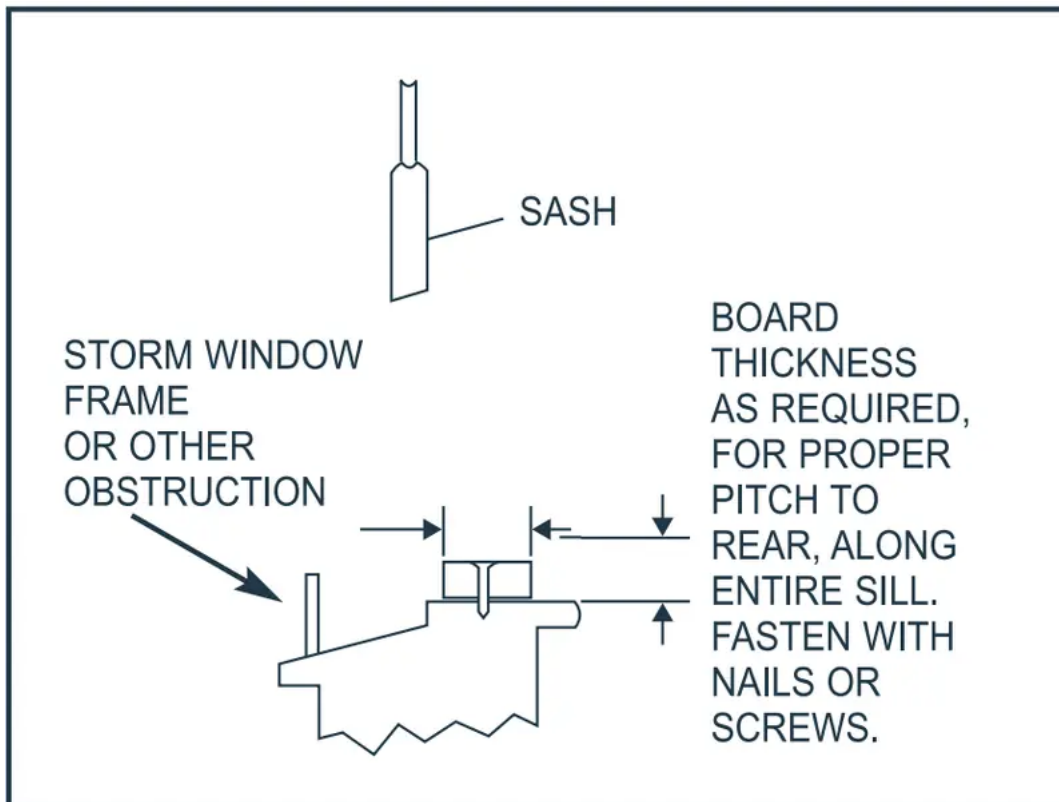
6. To prevent outside air from entering the room, insert the foam top window gasket, cut to the width of the window.



7. Plug the unit into the electrical outlet as specified above in the electrical requirements. Move the control to the COOL mode.

IF AC IS BLOCKED BY STORM WINDOW

Add wood as shown in figure below, or remove storm window before air conditioner is installed.



If storm window frame must remain, make sure the drain holes or slots are not caulked or painted shut. Accumulated rain water or condensation must be drained out.

REMOVING AC FROM WINDOW

- Turn AC off, and disconnect power cord.
- Remove sash seal from between windows and unscrew safety lock.
- Remove screws installed through frame and frame lock.
- Close (slide) side panels into frame.
- Keeping a firm grip on air conditioner, raise sash and carefully “rock” air conditioner backward to drain any condensed water in the base of unit. Be careful not to spill any remaining water while lifting unit from window. Store parts WITH air conditioner.

Operation

Operating your air conditioner properly helps you to obtain the best possible results. This section explains proper air conditioner operation.

IMPORTANT:

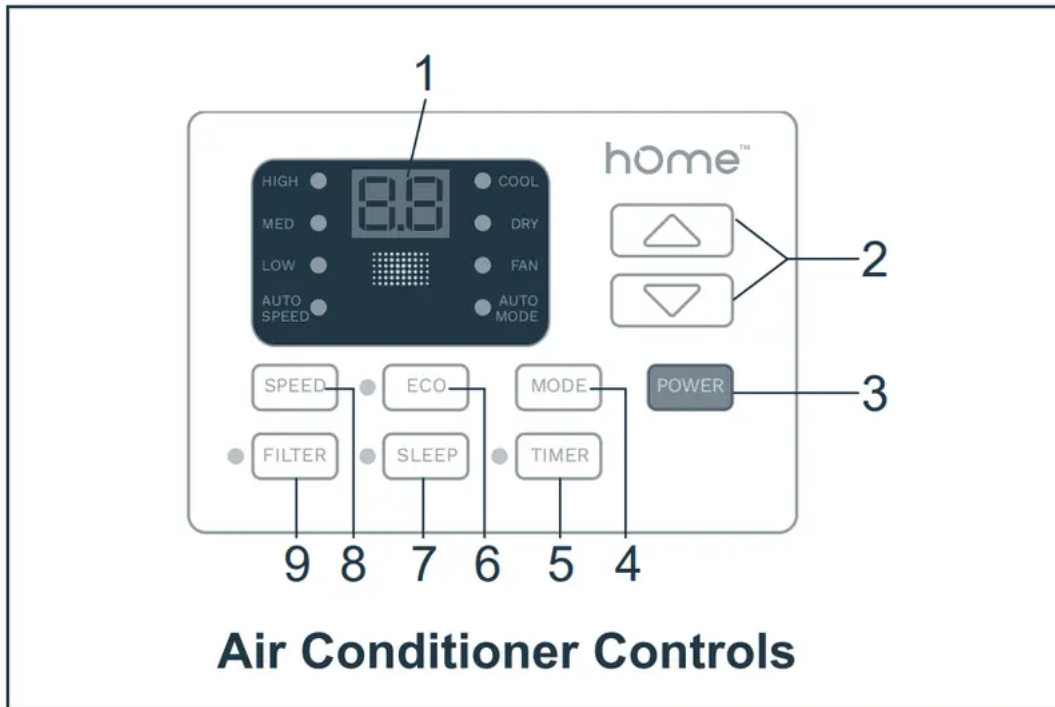
If you turn off the air conditioner, wait at least 3 minutes before turning it back on. This prevents the air conditioner from blowing a fuse or tripping a circuit breaker.

Do not try to operate your air conditioner in the cooling mode when outside temperature is below 65 °F (18°C). The inside evaporator coil will freeze up, and the air conditioner will not operate properly.

Electronic Control Panel

NOTE:



In the event of a power failure, your air conditioner will operate at the previous settings when the power is restored.



Normal Operating Sounds

- You may hear some noise caused by water hitting the condenser, on rainy days, or when the humidity is high. This design feature helps remove moisture and improve efficiency.
- You may hear the thermostat click when the compressor cycles on and off.
- Water will collect in the base pan during rainy days or days of high humidity. Water may overflow and drip from the outside part of the unit.
- The fan may run even when the compressor is not on.

1. **Digital Display:** When the timer is not in use, the operation mode and the set temperature will be displayed. Time will be displayed under the timer setting.

2.  and  Button: Use these buttons on the control panel and remote to increase or decrease the Set Temperature or Timer. Temperature range: 61°F~88°F or 16°C ~31°C.





3. **Power Button:** Turn the air conditioner on or off.



4. **Mode Button:** Press the mode button to cycle through the various modes: Cool, Dry, Fan and Auto.

- Cool Mode: The cooling function allows the air conditioner to cool the room and at the same time reduces air humidity. Press the MODE button to activate the cooling function. To optimize the function of the air conditioner, adjust the temperature and the speed by pressing the button indicated.
- Dry Mode: This function reduces the humidity of the air to make the room more comfortable. Press the MODE button to set the DRY mode. An automatic function of alternating cooling cycles and air fan is activated. Dry mode only can be controlled on control panel.
- Fan Mode: This function only works when the air conditioner is vented. Press the MODE button to set the FAN mode. With pressing the FAN SPEED button, the speed changes in the following sequence: Hi, Med and Lo in FAN mode.
- Auto Mode: In AUTO mode the unit automatically chooses the mode of operation (COOL, DRY or FAN). In this mode the temperature will be set according to the room temperature (tested by the temperature sensor which is incorporated in the indoor unit.).

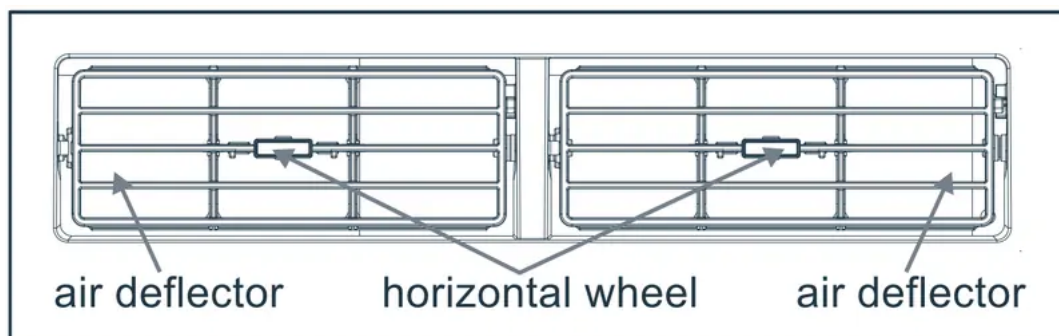
5. **Timer Button:** Use these buttons on the control panel and remote to set the Timer.

- **Timer Off:** The timed stop is programmed by pressing TIMER button. Set the time by pressing the button “” or “” until your desired time is reached. Then press TIMER button again to confirm.

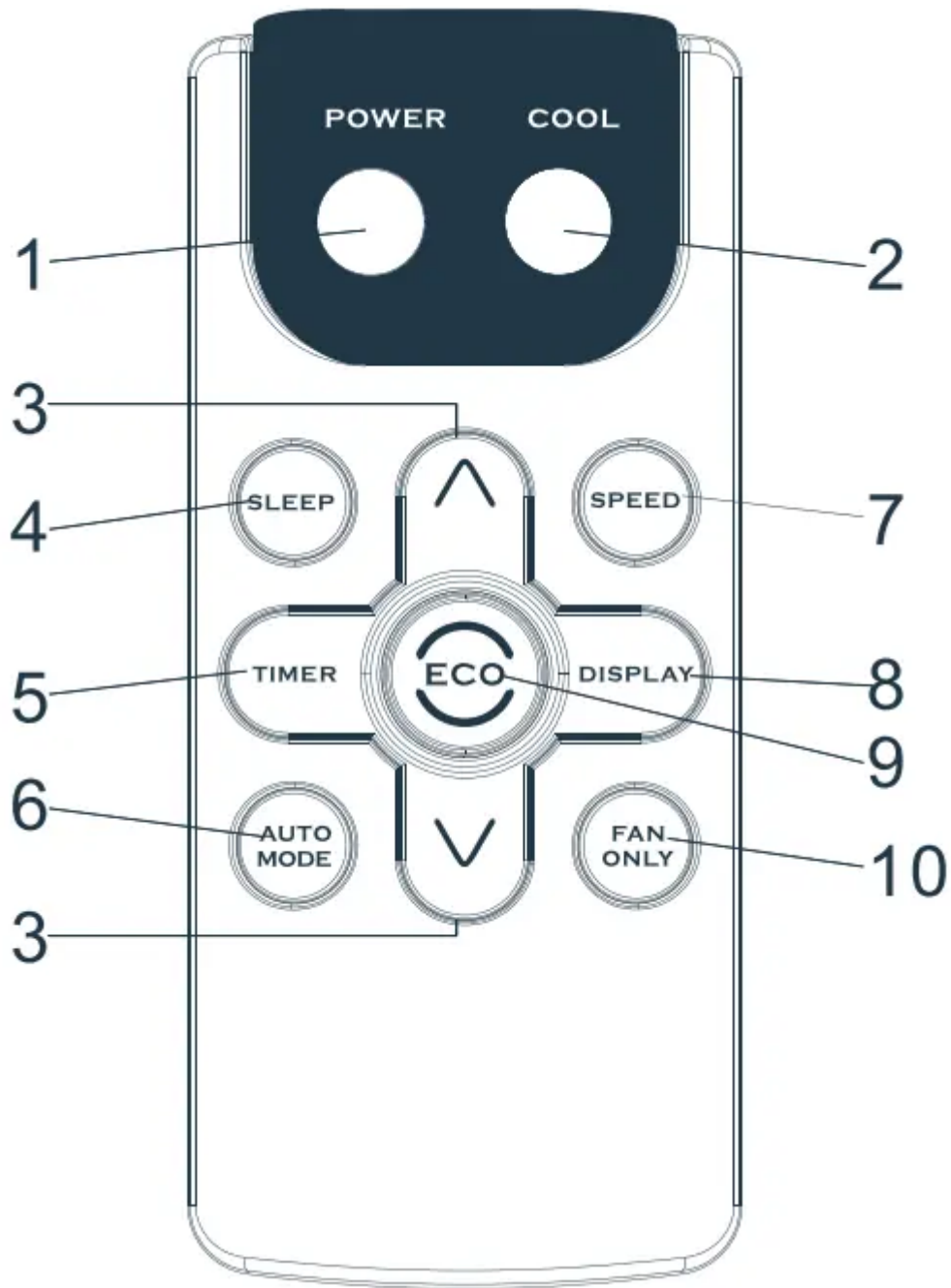
- **Timer On:** When the unit is off, press TIMER button once. Set the temperature by pressing the button “” or “”. Press TIMER button a second time, set the time by pressing the button “” or “”. Press TIMER button a third time to confirm the setting.

- **Note:** It can be set to automatically turn off or on in 0.5-24 hours. Each press of the “” “” buttons will increase or decrease the timer in 0.5 hour increment below 10 hours and 1 hour increment for 10 hours or above. The SET light will turn on while setting.
- To cancel the Timer function, press the TIMER button again.

6. **Eco Button:** When the unit is in ECO mode, the light will turn on. In ECO mode, the unit will turn off once the room is cooled to the set temperature. The unit will turn back on when the room temperature rises above the set temperature. Before the compressor starts, the fan motor will turn on and off repeatedly to provide comfortable feeling and save energy.
7. **Sleep Button:** Press the SLEEP button, all of the display lights will turn off after a while, but the Sleep light is always on. In SLEEP mode, the air conditioner will automatically adjust the temperature and fan speed to make the room more comfortable during night. The set temperature will automatically raise every 30-60 minutes, and at most change six times until the set temperature is 81°F or 82°F. Set fan speed to low before turning on the SLEEP mode.
8. **Speed Button:** Press the SPEED button for various fan speed options. You can choose Hi, Med, Lo or Auto speed in COOL mode and choose Hi, Med, Lo in FAN mode.
9. **Filter Button:** When the Filter Check light is off, it is not necessary to press the Filter Check button. When the Filter Check light is on, turn off the light by pressing the Filter Check button. After the working time of fan motor reaches 500 total hours, the Filter Check light will turn on to remind the user to clean the filter.
10. **Directional Louvers:** To direct the airflow, use the horizontal wheel to control the horizontal direction, and the air deflectors to control the vertical direction.



Remote Control





Battery Size: AAA

NOTE: Do not mix old and new batteries or different types of AAA batteries.

1. **POWER:** Turn the air conditioner on or off.

2. **Cool:** Press the COOL button to enter COOL mode.

3.  and  : Use these buttons on the control panel and remote to increase or decrease the Set Temperature or Timer. Temperature range: 61°F-88°F or 16°C-31°C.

4. **Sleep:** Press the SLEEP button, all of the display lights will turn off after a while with only the Sleep light on. In SLEEP mode, the air conditioner will automatically adjust the temperature and fan speed to make the room comfortable while you sleep. The set temperature will automatically rise every minutes and at most change six times until the set temperature reaches 81°F or 82°F.



5. **TIMER:**

- **Timer Off:** When the unit is on, press TIMER button to set timer off. Set the



timer by pressing the button “” or “” until your desired time is reached. Press TIMER button again to confirm.

- **Timer On:** When the unit is off, press TIMER button once and set the

temperature by pressing “” or “”. Press TIMER button a

second time, set the timer by pressing the button “” or “”. Press TIMER button a third time to confirm the setting.

- **NOTE:** It can be set to automatically turn off or on in 0.5-24 hours. Each press

of the “” “” buttons will increase or decrease the timer in 0.5 hour increment below 10 hours and 1 hour increment for 10 hours or above. The SET light will turn on while setting. To cancel the set function, press the TIMER button again.

6. **Auto Mode:** In AUTO mode the unit automatically chooses the mode of operation (COOL, DRY or FAN). In this mode the temperature will be set automatically according to the room temperature tested by the temperature sensor which is incorporated in the indoor unit.).

7. **Fan Speed:** Press the FAN SPEED button for various fan speed options. You can choose Hi, Med, Lo or auto speed in COOL mode and choose Hi, Med, Lo in FAN mode.

8. **Display:** Press the DISPLAY button to switch off/on all lights or LED display.

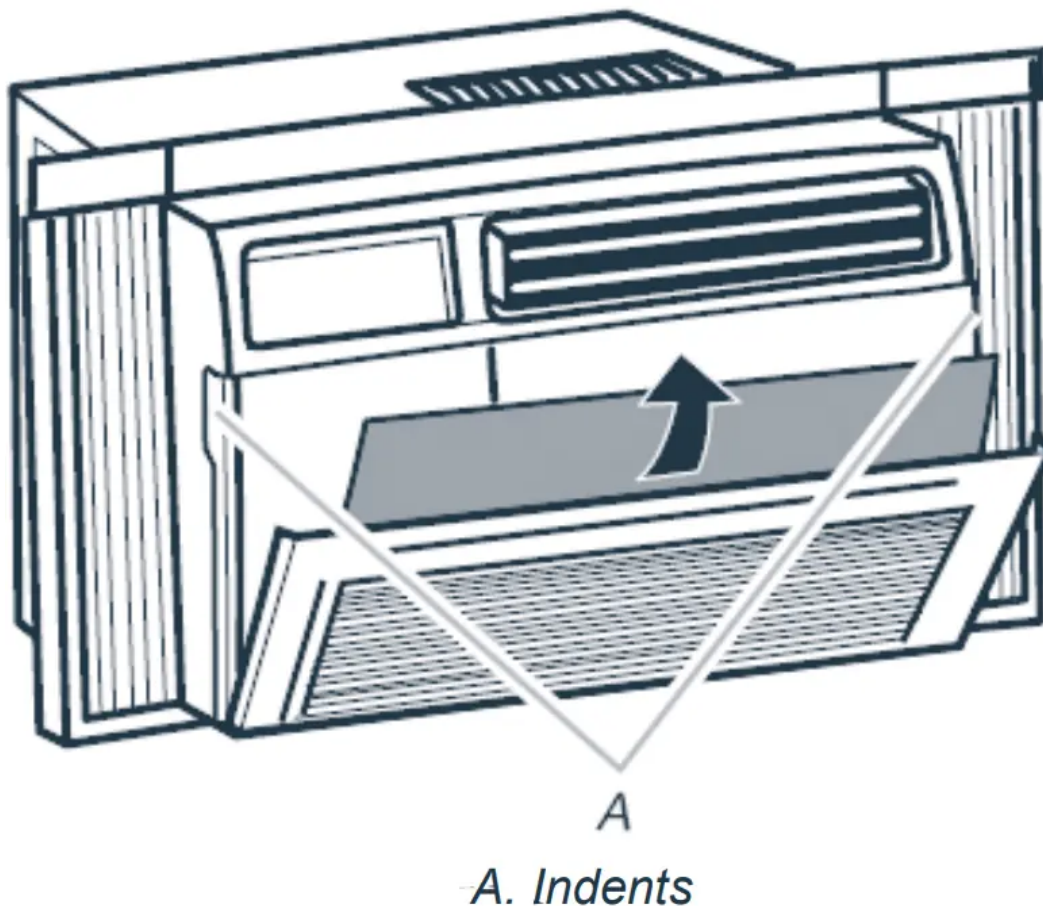
9. **ECO:** When the unit is in ECO mode, the light will turn on. In ECO mode, the unit will turn off once the room is cooled to the set temperature. The unit will turn back on when the room temperature rises above the set temperature. Before the compressor starts, the fan motor will turn on and off repeatedly to provide comfortable feeling and save energy.

10. **Fan Only:** Press the FAN ONLY button if you need Fan Only mode.

Cleaning and Maintenance

Clean your air conditioner to keep it looking new and to minimize dust build-up.

AIR FILTER CLEANING



The air filter should be checked at least once every month to see if it needs cleaning. Trapped particles and dust can build up in the filter and may decrease airflow as well as cause the cooling coils to accumulate frost. To clean the air filter:

1. Remove the filter by pulling down on the indents of the filter door on the front of the unit.
2. Wash the filter using liquid dish soap and warm water. Rinse the filter thoroughly. Gently shake the filter to remove excess water.
3. Let the filter dry completely before placing it into the air conditioner.
4. If you do not wish to wash the filter, you may vacuum the filter to remove the dust and other particles.

WEAR AND TEAR

To minimize wear and tear on the air conditioner, always wait at least 3 minutes before changing modes.

This will help prevent the compressor from overheating and the circuit breaker from tripping.

CABINET CLEANING

To clean the air conditioner cabinet:

- Unplug the air conditioner to prevent shock or a fire hazard. The cabinet and front panel of the air conditioner may be dusted with an oil free cloth or washed with a cloth dampened in a solution of warm water and mild liquid soap. Rinse thoroughly with a damp cloth and wipe dry.
- Never use harsh cleaners, wax or polish on the cabinet front.
- Be sure to wring excess water from the cloth before wiping around the controls. Excess water in or around the controls may cause damage to the air conditioner.

WINTER STORAGE

To store the air conditioner when it is not in use for an extended period of time, remove it carefully from the window according to the installation instructions and cover it with plastic or place it in the original box.

Troubleshooting



PROBLEMS	POSSIBLE CAUSES	SOLUTIONS
The Air Conditioner will not start	The air conditioner is unplugged	<ul style="list-style-type: none"> • Make sure the air conditioner plug is pushed completely into the outlet
	The fuse is blown/circuit breaker is tripped	<ul style="list-style-type: none"> • Check the house fuse/circuit breaker box and replace the fuse or reset the breaker
	Power failure	<ul style="list-style-type: none"> • The unit will automatically restart when power is restored • There is a protective time delay (approx. 3 minutes) to prevent tripping of the compressor overload. For this reason, the unit may not start normal cooling for 3 minutes after it is turned back on.
	The current interrupter device is tripped	<ul style="list-style-type: none"> • Press the RESET button located on the power cord plug • If the RESET button will not stay engaged, discontinue use of the air conditioner and contact a qualified service technician
The Air Conditioner does not cool as it should	Airflow is restricted	<ul style="list-style-type: none"> • Make sure there are no curtains, blinds, or furniture blocking the front of the air conditioner
	The temperature control may not be set correctly	<ul style="list-style-type: none"> • Lower the set thermostat temperature
	The air filter is dirty	<ul style="list-style-type: none"> • Clean the filter. See the Cleaning and Care Section of the manual
	The room may be too warm	<ul style="list-style-type: none"> • Please allow time for the room to cool down after turning on the air conditioner
	Cold air is escaping	<ul style="list-style-type: none"> • Check for open furnace registers and cold air returns



PROBLEMS	POSSIBLE CAUSES	SOLUTIONS
	The cooling coils are frozen	<ul style="list-style-type: none"> • See “Air Conditioner is freezing up” below
The Air Conditioner is freezing up	Ice blocks the air flow and stops the air conditioner from cooling the room	<ul style="list-style-type: none"> • Set the MODE dial to HIGH FAN or HIGH COOL and set the thermostat to a higher temperature
The Remote Control is not working	<p>The batteries are inserted incorrectly</p> <p>The batteries may have run out</p>	<ul style="list-style-type: none"> • Check the position of the batteries • Replace the batteries
Water is dripping outside	Hot and Humid weather	<ul style="list-style-type: none"> • This is normal
Water is dripping inside the room	The air conditioner is not correctly tilted outside	<ul style="list-style-type: none"> • For proper water drainage, make sure the air conditioner is slightly tilted downward from the front of the unit to the rear
Water collects in the base pan	Moisture removed from the air is draining into the base pan	<ul style="list-style-type: none"> • This is normal for a short period in areas with low humidity and normal for a longer period in areas with high humidity
Digital Display reads “E1”, “E2”	A sensor has failed	<ul style="list-style-type: none"> • Contact customer service

Warning

This content is compiled from multiple sources and is provided for reference purposes only. It may not be complete or fully applicable to all situations. If you are unable to resolve your issue, please contact the product manufacturer or an authorized service provider for official support.

