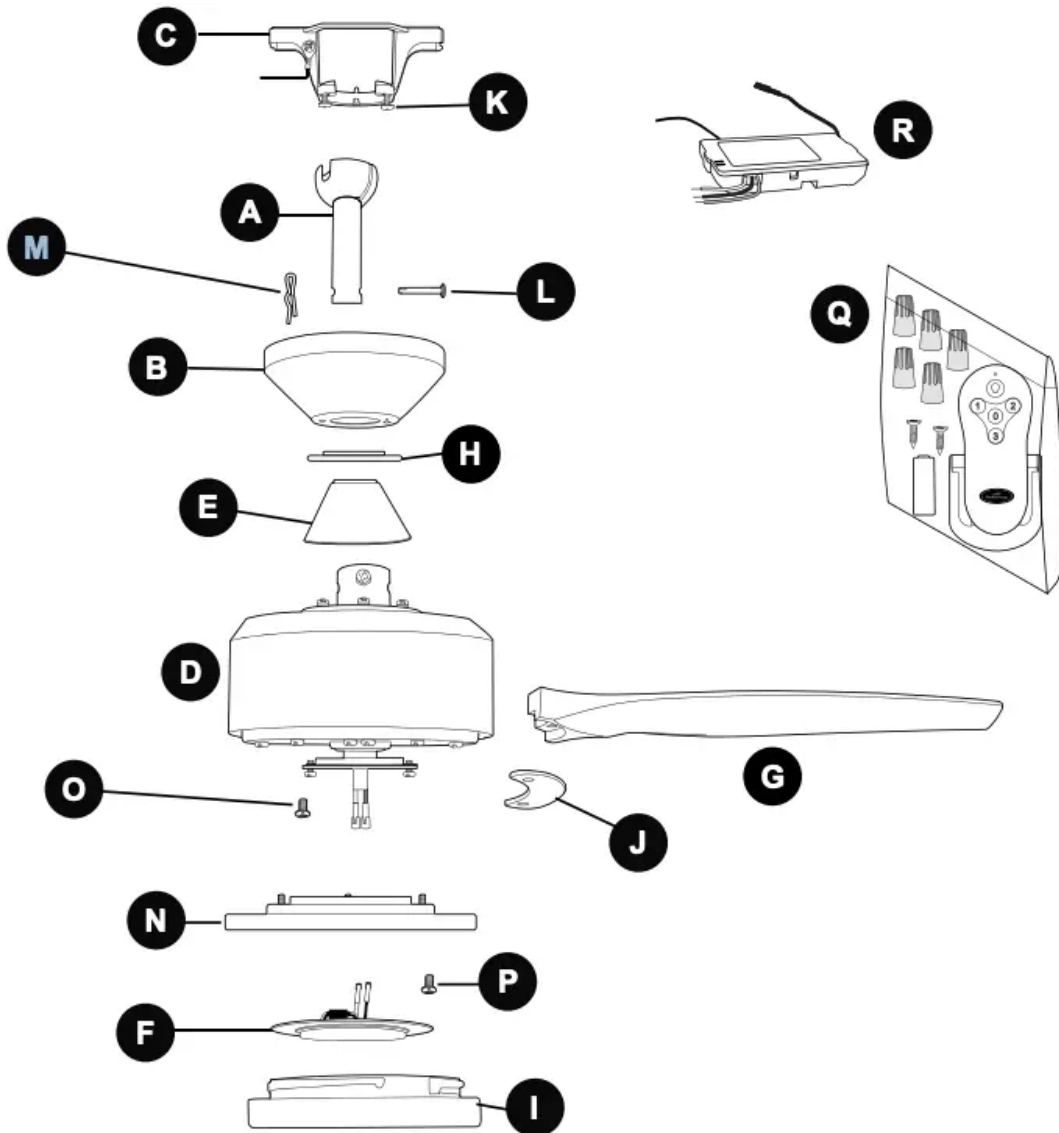


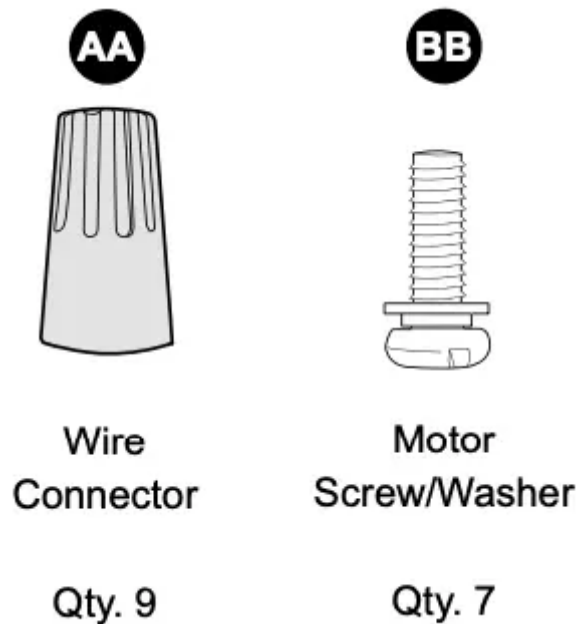
PACKAGE CONTENTS



A Downrod	K Canopy Mounting Screw (preassembled)
B Canopy	L Pin (preassembled)
C Mounting Bracket	M Clip (preassembled)
D Motor Housing	N Fitter Plate
E Yoke Cover	O Motor Plate Screw (preassembled)
F Light Kit Fitter	P Fitter Plate Screw (preassembled)
G Blade	Q Remote Pack
H Canopy Cover	R Remote Control Receiver
I Glass Shade	
J Blade Plate	

IMPORTANT REMINDER: You must use the parts provided with this fan for proper installation and safety

HARDWARE CONTENTS (shown actual size)



PREPARATION

Before beginning assembly of product, make sure all parts are present. Place motor on carpet or on foam to avoid damage to finish. Compare parts with package contents list and hardware contents list. If any part is missing or damaged, do not attempt to install, operate or assemble the product.

Estimated Assembly Time: 120 minutes

Tools Required for Assembly (not included): Electrical Tape, Phillips Screwdriver, Pliers, Safety Glasses, Stepladder and Wire Strippers

Helpful Tools (not included): AC Tester Light, Tape Measure, Do-It-Yourself Wiring Handbook and Wire Cutters



INITIAL INSTALLATION



1. Turn off circuit breakers or fuse and wall switch to the fan supply line leads.

DANGER: Failure to disconnect power supply prior to installation may result in serious injury or death.

2. Determine mounting method to use.

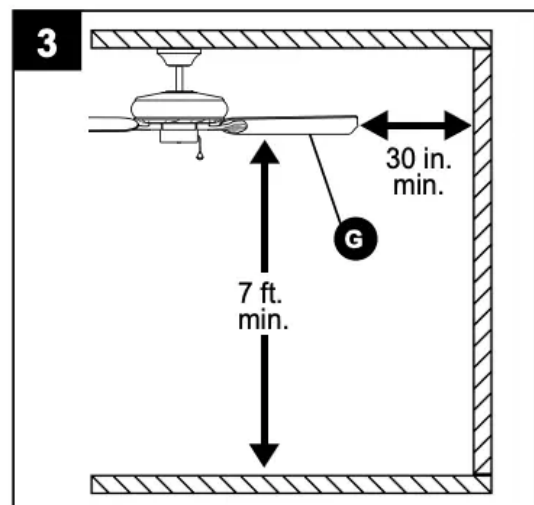
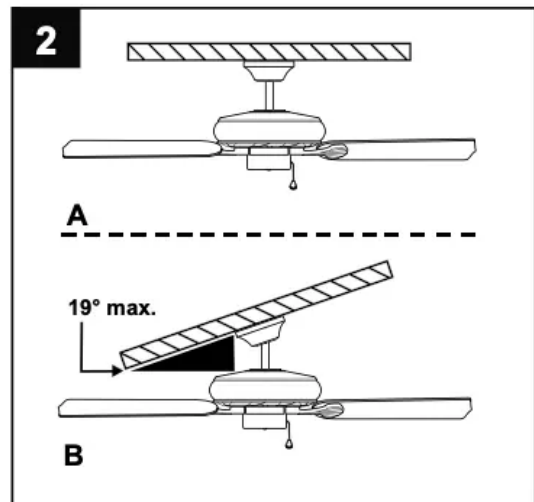
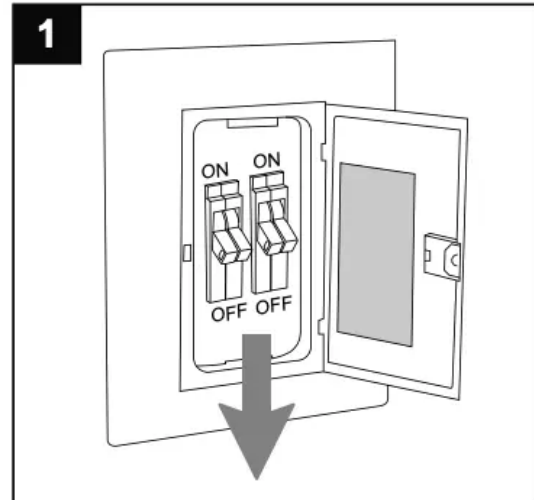
- A. Standard mount
- B. Angle mount

Note: Flushmount and closemount options are not available for this fan.

IMPORTANT: If using the angle mount, ensure the ceiling angle is not steeper than 19°.

***Helpful Hint:** Downrod-style mounting is best suited for ceilings 8 ft. high or higher. For taller ceilings you may want to use a longer downrod (not included). Angle-style mounting is best suited for angled or vaulted ceilings. A longer downrod is sometimes necessary to ensure proper blade clearance.

3. Check to make sure blades (G) will be at least 30 inches from any obstruction. Check downrod (A) length to ensure blades (G) will be at least 7 ft. above the floor.



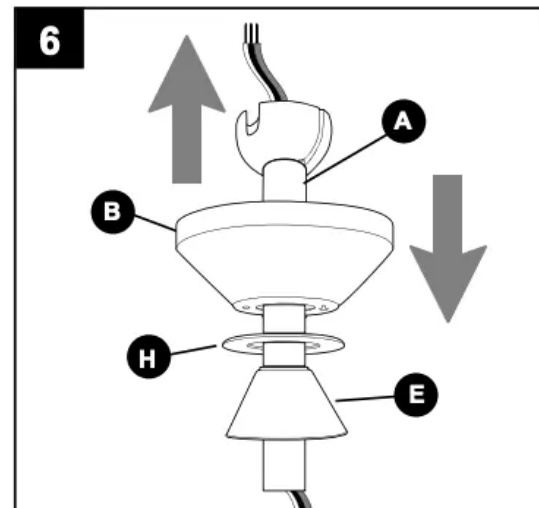
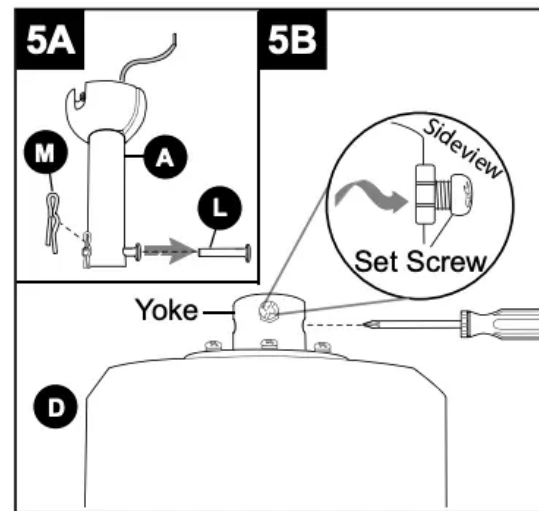
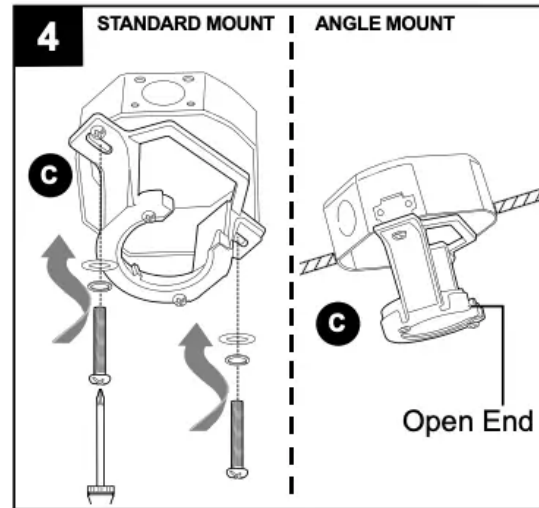
4. Secure mounting bracket (C) to outlet box (not STANDARD MOUNT ANGLE MOUNT included) using screws, spring washers and flat washers provided with the outlet box.

***NOTE:** It is very important you use the proper hardware when installing the mounting bracket (C) as this will support the fan.

IMPORTANT: If using the angle mount, make sure open end of mounting bracket (C) is installed facing the higher point of the ceiling, and ensure the ceiling angle is not steeper than 19°.

5. Remove pin (L) and clip (M) from downrod (A). Partially loosen preassembled set screws and nuts in yoke at top of motor housing (D).

6. Insert downrod (A) through canopy (B), canopy cover (H) and yoke cover (E). **NOTE:** Canopy cover (H) must be turned with the shiny side toward the motor housing (D). Then, thread wires from motor housing (D) through downrod (A).



7. Slip downrod (A) into motor housing yoke, align holes and re-install pin (L) and clip (M). Tighten set screws in motor housing yoke and then tighten preassembled nuts on the set

screws. Then, slide yoke cover (E) down until it rests on top of motor housing (D).

8. Depending on the length of downrod you use, you may need to cut the lead wires back to simplify the wiring. If you decide to cut back the lead wires, it is suggested you do so in the following manner:

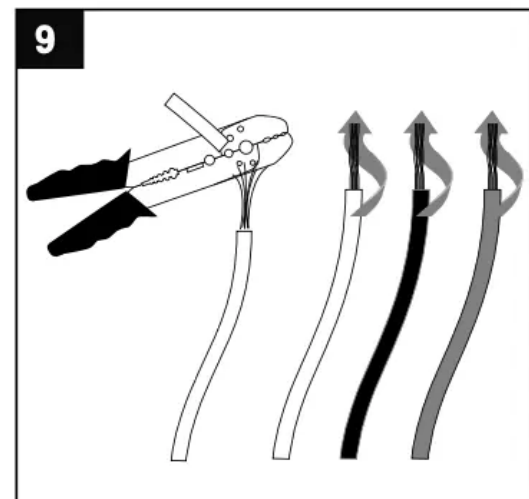
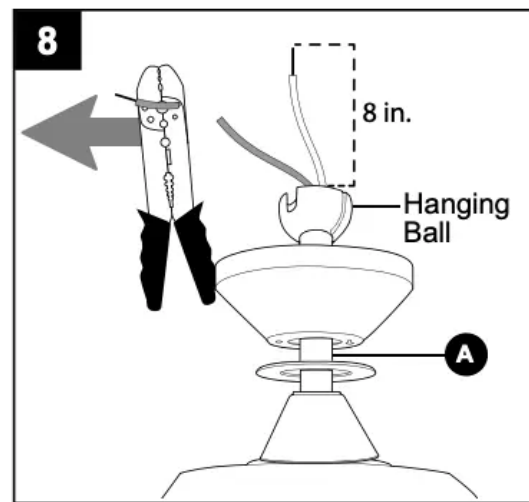
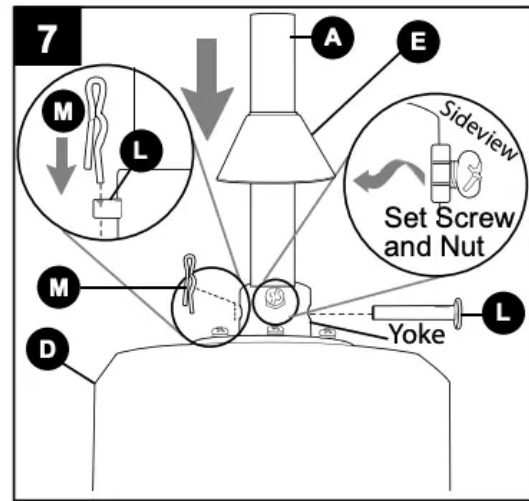
Take the lead wires and make sure you have pulled them all the way through the top of the downrod. Start at the TOP of the hanging ball on the downrod and measure 8 in. of lead wire, then cut the excess wire off with wire cutters (not included).

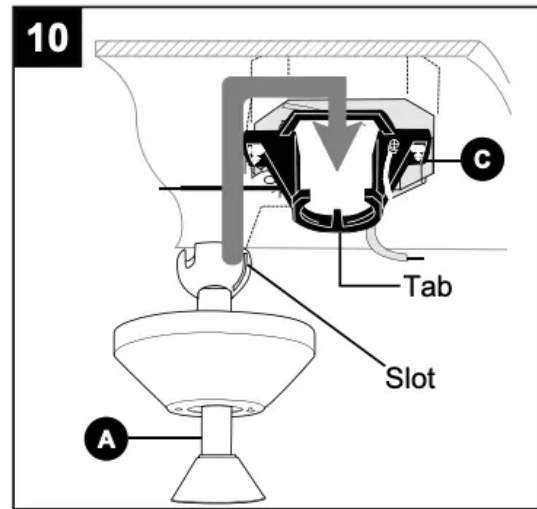
NOTE: If you do not cut back the lead wires, Steps 8 and 9 are not necessary and you may proceed to Step 10 instead.

9. If you decided to cut back the lead wires in Step 9, strip 1/2 in. of insulation from end of each wire -- white, black, green and blue (if applicable). Twist stripped ends of each strand of wire within the insulation with pliers (not included).

10. Install hanging ball of downrod (A) into opening of mounting bracket (C). Align one of the slots in hanging ball with tab in mounting bracket (C).

DANGER: Failure to align one of the slots in the ball with the tab may result in serious injury or death.





WIRING

WARNING: To reduce the risk of fire, electrical shock or personal injury, wire connectors provided with this fan are designed to accept only one 12-gauge house wire and two lead wires from the fan. If your house wire is larger than 12-gauge or there is more than one house wire to connect to the corresponding fan lead wires, consult an electrician for the proper size wire connectors to use.

CAUTION: Be sure outlet box is properly grounded and that a ground (green or bare) wire is present.

WARNING: If house wires are different colors than referred to in the following steps, stop immediately. A professional electrician is recommended to determine wiring.

WARNING: Using a full range dimmer switch (not included) to control fan speed will cause a loud humming noise from fan. To reduce the risk of fire or electrical shock, do NOT use a full range dimmer switch to control fan speed.

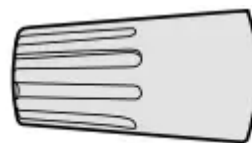
1. Make the necessary wiring connections for remote control operation as detailed on the following page and in the figure. For each wire connection, use one of the wire connectors (AA), making sure to screw wire connector (AA) on in a clockwise direction.

CAUTION: Assistance from another person is recommended for this step.

Hardware Used



Wire Connector



x 5

(1.)

Connect all GROUND (GREEN) wires from fan (on downrod (A), if applicable, and mounting bracket (C)) to BARE/GREEN supply wire from ceiling.

Connect BLACK wire (labeled AC IN L) from remote control receiver (R) to BLACK supply wire from ceiling.

Connect WHITE wire (labeled AC IN N) from remote control receiver (R) to WHITE supply wire from ceiling.

Connect WHITE wire (labeled TO MOTOR N) from remote control receiver (R) to WHITE wire from motor housing (D).

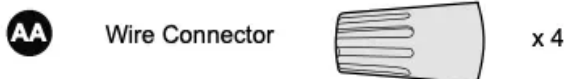
Connect BLACK wire (labeled TO MOTOR L) from remote control receiver (R) to BLACK wire from motor housing (D).

Connect BLUE wire (labeled FOR LIGHT) from remote control receiver (O) to BLUE wire from motor housing (D).

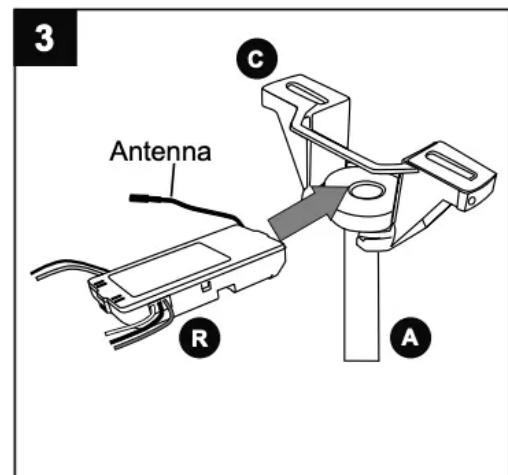
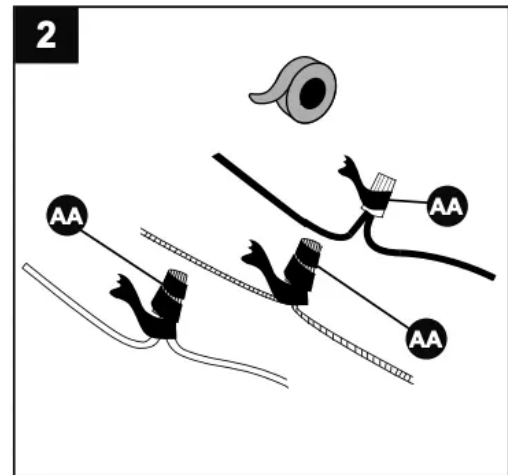
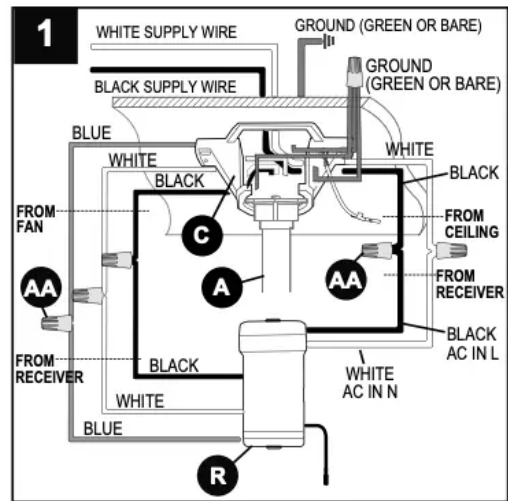
2. Wrap electrical tape (not included) around each individual wire connector (AA) down to the wire.

WARNING: Make sure no bare wire or wire strands are visible after making connections. Place GREEN and WHITE connections on opposite side of the outlet box from the BLACK and BLUE (if applicable) connections.

Hardware Used



3. Gently slide remote control receiver (R) flat-side up into mounting bracket (C). Turn spliced/ taped wires upward and gently push wires and wire connectors (CC) into outlet box. Let



antenna from remote control receiver (R) hang to the side.

NOTE: The remote control included with this fan meets the following requirements:

- a. Not for use with solid state fans.
- b. Electrical rating: 120V / 60 Hz; motor amps:1.25 MAX.

Should you choose to use a different remote control with this fan, it must also meet these same requirements.



FINAL INSTALLATION



Locate two canopy mounting screws (K) on underside of mounting bracket (C) and remove canopy mounting screw (K) closest to the open end of the mounting bracket (C). Partially loosen the other canopy mounting screw (K). Lift canopy (B) to mounting bracket (C). Place rounded part of slotted hole in canopy (B) over loosened canopy mounting screw (K) and push up. Twist canopy (B) to lock. Re-insert canopy mounting screw (K) that was removed, then tighten both canopy mounting screws (K). Use arrows on inside of canopy cover (H) to locate knobs on center ring of canopy cover (H). Slide canopy cover (H) up to canopy (B), aligning knobs on canopy cover (H) with openings in bottom of canopy (B). Press up gently but firmly on canopy cover (H) until you hear it snap onto the bottom of the canopy (B) and then turn canopy cover (H) clockwise about 1/2 in.

2. **DANGER:** To reduce the risk of serious bodily injury, DO NOT use power tools to assemble the blades (G). If overtightened, blades (G) may crack and break.

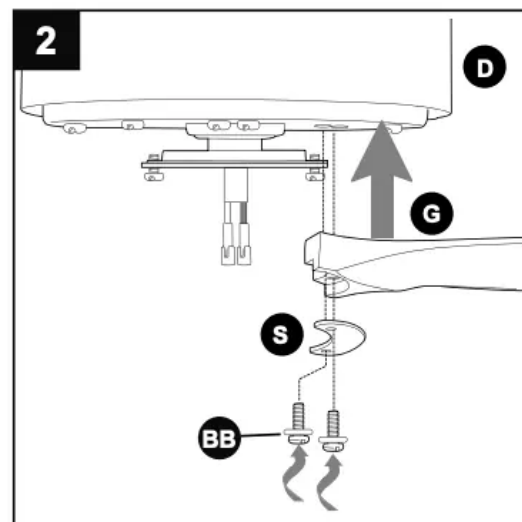
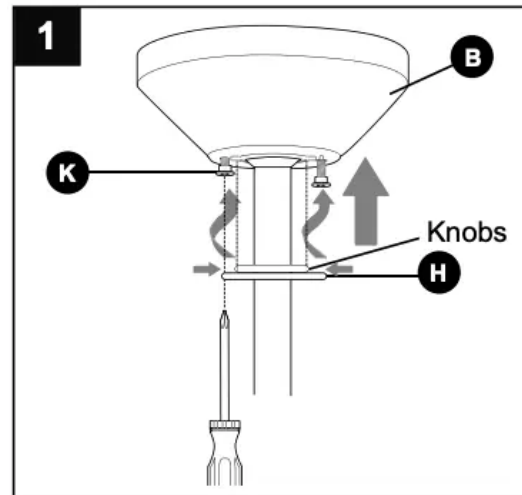
Place one blade plate (J) under blade (G), aligning holes. Then, insert one motor screw/washer (BB) into one of the holes at the end of the blade (G), turning until the motor screw (BB) comes through the other side of the blade (G). Repeat with the other motor screw/washer (BB).

Align the protruding ends of the motor screws/washers (BB) with the corresponding holes on the underside of the motor housing (D). Tighten both motor screws/washers (BB).

Repeat Step 2 for the other two blades (G).

DANGER: To reduce the risk of personal injury, make sure all blades (G) are completely secure before proceeding.

Hardware Used



BB

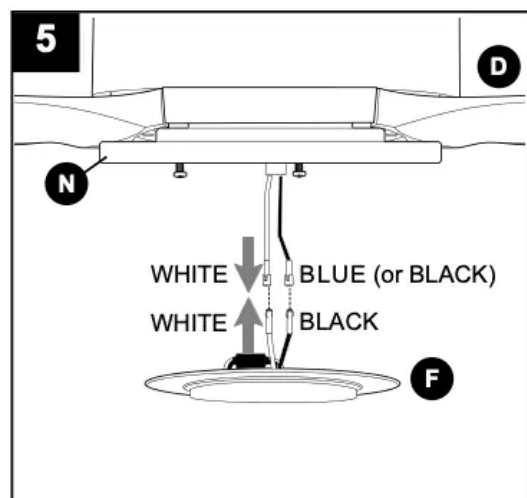
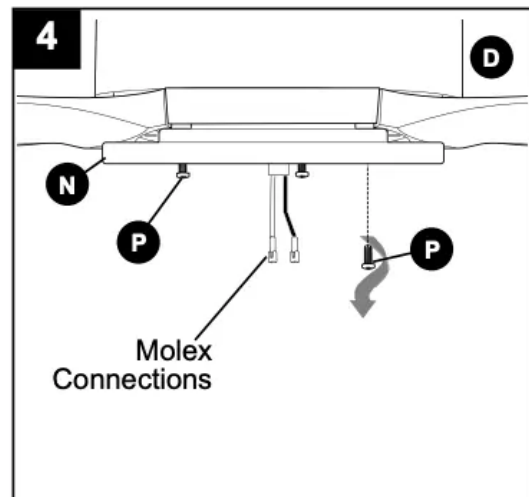
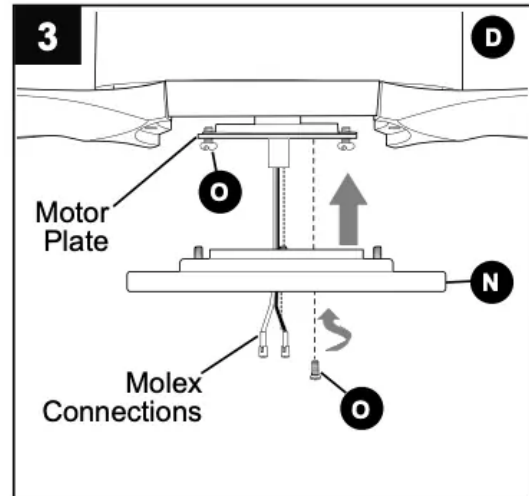
Blade Screw/Washer



3. Partially loosen two motor plate screws (O) in motor plate on underside of motor housing (D) and remove the other motor plate screw (O). Align slotted holes in fitter plate (N) with loosened motor plate screws (O), allowing molex connections from motor housing (D) to come through hole in fitter plate (N). Twist fitter plate (N) to lock. Re-insert the motor plate screw (O) that was removed and securely tighten all three motor plate screws (O).

4. Partially loosen two fitter plate screws (P) on the underside of the fitter plate (N) and remove the other fitter plate screw (P). Locate molex connections from motor housing (D) and remove plastic that holds these wires together.

5. Connect WHITE wire from light kit fitter (F) to WHITE wire from motor housing (D). Connect BLACK wire from light kit fitter (F) to BLUE or (BLACK) wire from motor housing (D). Make sure molex connections snap together securely.



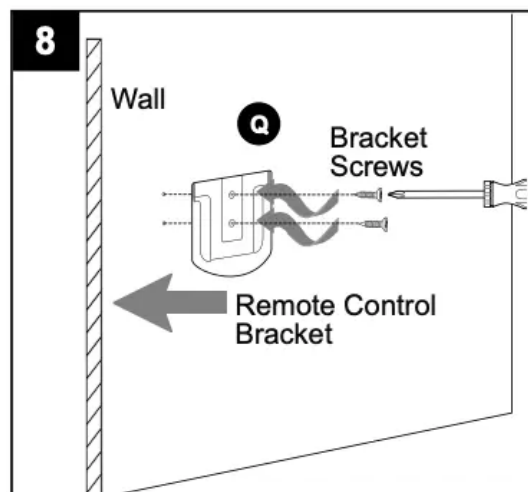
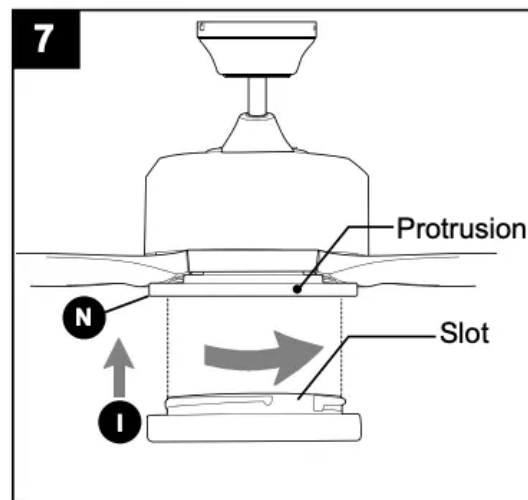
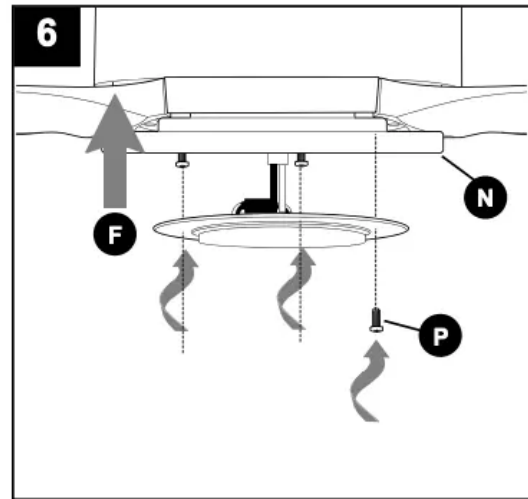
6. Carefully arrange wiring within the fitter plate (N) to ensure wires do not get pinched when attaching the light kit fitter (F).

Align slotted holes in light kit fitter (F) with loosened fitter plate screws (P) on fitter plate (N). Twist light kit fitter (F) to lock in place. Re-insert the previously removed fitter plate screw (P) and securely tighten all fitter plate screws (P)

7. Align slots on glass shade (I) with protrusions on underside of fitter plate (N). Turn glass shade (I) clockwise until it no longer turns.

NOTE: Pull down gently on the glass shade (I) to make sure it is secured completely.

8. If you wish to use the remote control bracket from remote pack (Q), install screws from remote pack (Q) through bracket and into the desired installation site. The remote control transmitter from remote pack (Q) rests inside the bracket.



OPERATING INSTRUCTIONS

CAUTION: The remote control transmitter can be programmed to multiple receivers or fans. If this is not desired, turn wall switch off to any other programmable receiver or fan.

FCC Compliance Notice for Remote Control

Modifications not approved by the party responsible for compliance could void the user's authority to operate the equipment.

NOTE: This equipment has been tested and found to comply with the limits for a Class B digital device, pursuant to Part 15 of the FCC Rules. These limits are designed to provide reasonable protection against harmful interference in a residential installation. This equipment generates, uses and can radiate radio frequency energy and, if not installed and used in accordance with the instructions, may cause harmful interference to radio communications. However, there is no guarantee that interference will not occur in a particular installation. If this equipment does cause harmful interference to radio or television reception, which can be determined by turning the equipment off and on, the user is encouraged to try to correct the interference by one or more of the following measures:

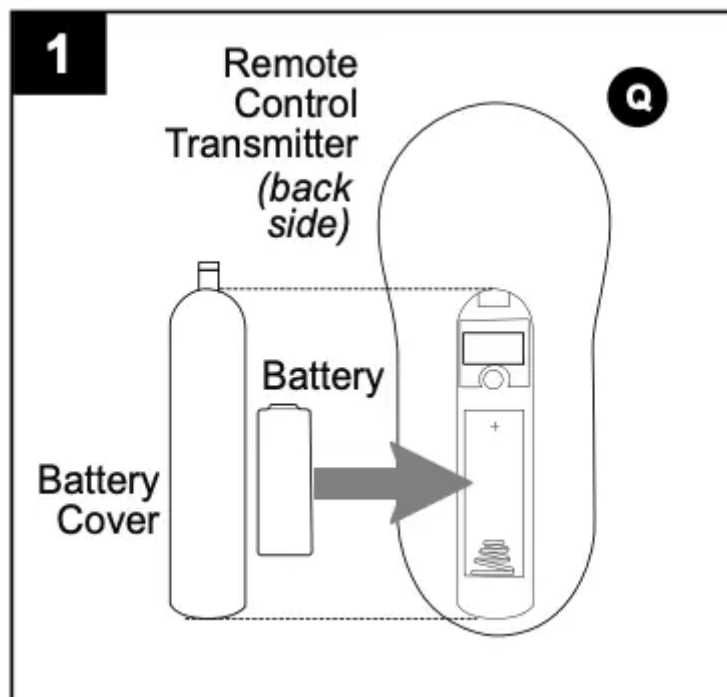
- Reorient or relocate the receiving antenna.
- Increase the separation between the equipment and receiver.
- Connect the equipment into an outlet on a circuit different from that to which the receiver is connected.

Consult the dealer or an experienced radio/TV technician for help.

1. Remove protective covering from battery in remote pack (Q) and discard protective covering.

Remove battery cover from back of remote control transmitter in remote pack (Q). Install battery from remote pack (Q) with positive (+) end toward top of remote control transmitter.

Replace battery cover on remote control transmitter.



WARNING: Choking Hazard - Small parts. Keep battery away from children.

CAUTION: "DO NOT DISPOSE OF BATTERIES IN FIRE, BATTERIES MAY EXPLODE OR LEAK." - When disposing of household alkaline batteries, it is best to check with your local and state recycling or household hazardous waste coordinators concerning the specifics of the program in your area. You may also locate a recycling center by calling 1-800-8-BATTERY or 1-877-2-RECYCLE or visit for more information.



2. Restore electrical power. Within 30 seconds of restoring electrical power, press and hold the "0" button on the remote control transmitter for 5 seconds or until light on the fan blinks twice. Use the remote control transmitter to test the light and fan functions to confirm the learning process is complete.


3. Operation buttons on the panel of the remote control transmitter:


3 button for fan HIGH speed



2 button for fan MEDIUM speed

1 button for fan LOW speed

0 button to turn fan OFF

 button to turn light ON or OFF.

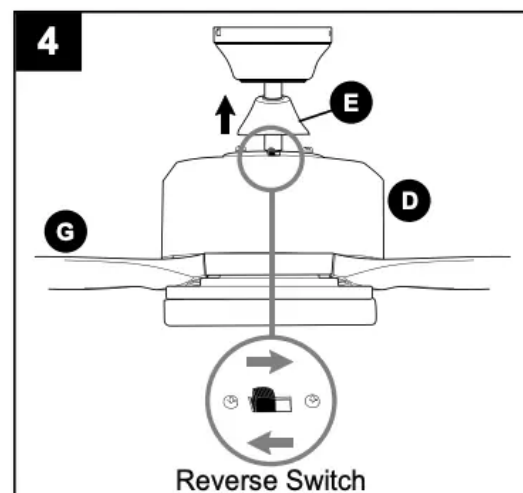
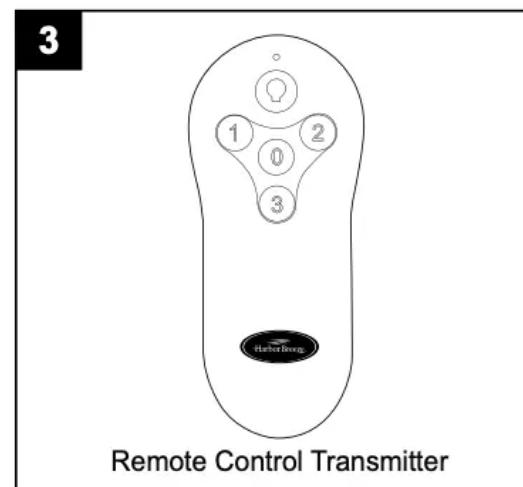
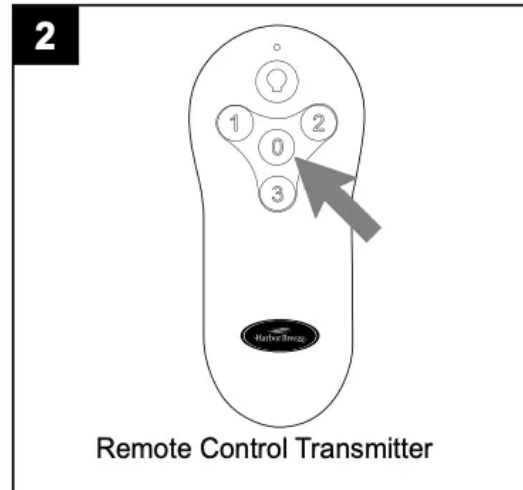
Tap  button quickly to turn lights off or on.

Hold  button down to increase or decrease lights. If you press  button in excess of 0.7 seconds, it becomes a dimmer. The lights vary cyclically in 8 seconds. The light button has an auto resume function, which keeps the light at the same brightness as the last time it was turned off.

4. Use the fan reverse switch, located on the top of the motor housing (D) (under the yoke cover (E)), to optimize the fan for seasonal performance. A ceiling fan will allow you to raise your thermostat setting in summer and lower your thermostat setting in winter without feeling a difference in your comfort.

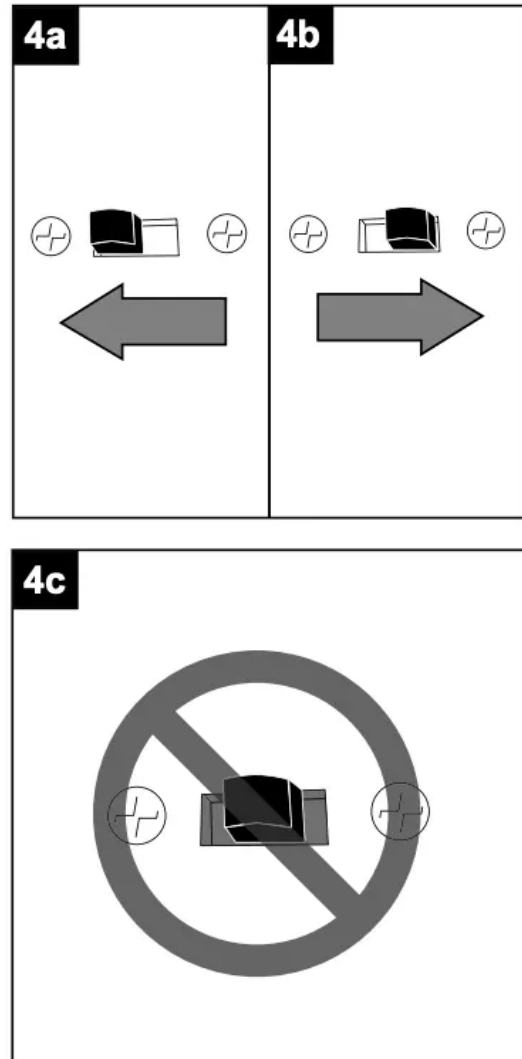
CAUTION: Turn fan off at wall switch and let blades (G) come to a complete stop before manually activating the reverse switch.

4a. In warmer weather, setting the reverse switch in the LEFT position will result in downward airflow creating a wind chill effect.



4b. In cooler weather, setting the reverse switch in the RIGHT position will result in upward airflow that can help move stagnant, hot air off the ceiling area.

4c. IMPORTANT: Reverse switch must be set either completely LEFT or completely RIGHT for fan to function. If the reverse switch is set in the middle position, fan will not operate.



CARE AND MAINTENANCE

At least twice each year, lower canopy (B) to check downrod (A) assembly and tighten all screws on fan. Clean motor housing (D) with only a soft brush or lint-free cloth to avoid scratching the finish. Clean blades (G) with a lint-free cloth. You may occasionally apply a light coat of furniture polish to wood blades for added protection.

IMPORTANT: Shut off main power supply before beginning any maintenance. Do not use water or a damp cloth to clean the ceiling fan.

- Total wattage for this fan is 18 watts; do not attempt to replace the LEDs.

TROUBLESHOOTING

WARNING: Before beginning work, shut off the power supply to avoid electrical shock.

PROBLEM	POSSIBLE CAUSE	CORRECTIVE ACTION
Fan does not move.	<ol style="list-style-type: none"> 1. Reverse switch not engaged. 2. Power is off or fuse is blown. 3. Faulty wire connection. 4. Wires in light kit fitter not wired correctly 	<ol style="list-style-type: none"> 1. Push switch firmly either up or down. 2. Turn power on or check fuse. 3. Turn power off. Loosen canopy and check all connections. 4. Check that molex connections in light kit fitter are connected properly according to instructions on page 12.
Noisy operation	<ol style="list-style-type: none"> 1. Blades are loose. 2. Cracked blade. 3. Fan is new. 	<ol style="list-style-type: none"> 1. Tighten all motor screws/washers. 2. Replace blade. 3. Allow fan a “break in” period of a few days, especially when running the fan at Medium and High speeds.
Excessive wobbling	<ol style="list-style-type: none"> 1. Blades are loose. 2. Unbalanced blades. 3. Fan not securely mounted. 4. Fan too close to vaulted ceiling. 5. Set screw(s) on motor housing yoke is (are) not tightened properly. 6. Set screw on hanging ball is not tightened properly. 	<ol style="list-style-type: none"> 1. Tighten all motor screws/washers. 2. Switch one blade with a blade from the opposite side. 3. Turn power off. Carefully loosen canopy and verify that mounting bracket is secure. 4. Use a longer downrod or move fan to another location. 5. Tighten yoke set screw(s) securely. 6. Carefully loosen and lower canopy and verify that set screw on hanging ball is tightened securely
Fan operates but lights fail (if applicable).	<ol style="list-style-type: none"> 1. Wires in canopy not wired properly. 2. Wall switch to fan is off. 3. Wires from light kit fitter not wired correctly. 	<ol style="list-style-type: none"> 1. Check wires in canopy and, if necessary, re-wire according to instructions on pages 9 - 11. 2. Make sure wall switch to fan is on. 3. Check wires on light kit fitter and, if necessary, re-wire according to instructions on page 12.



Warning

This content is compiled from multiple sources and is provided for reference purposes only. It may not be complete or fully applicable to all situations. If you are unable to resolve your issue, please contact the product manufacturer or an authorized service provider for official support.

Document generated by [ManualsFile](#)