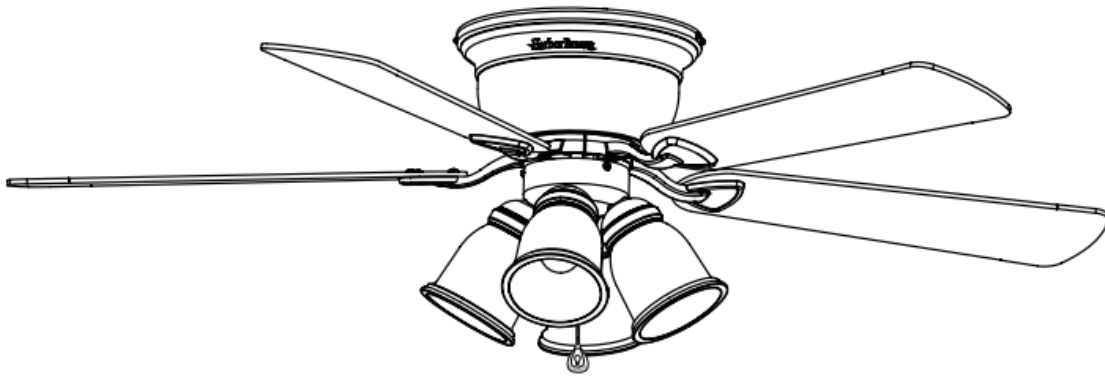
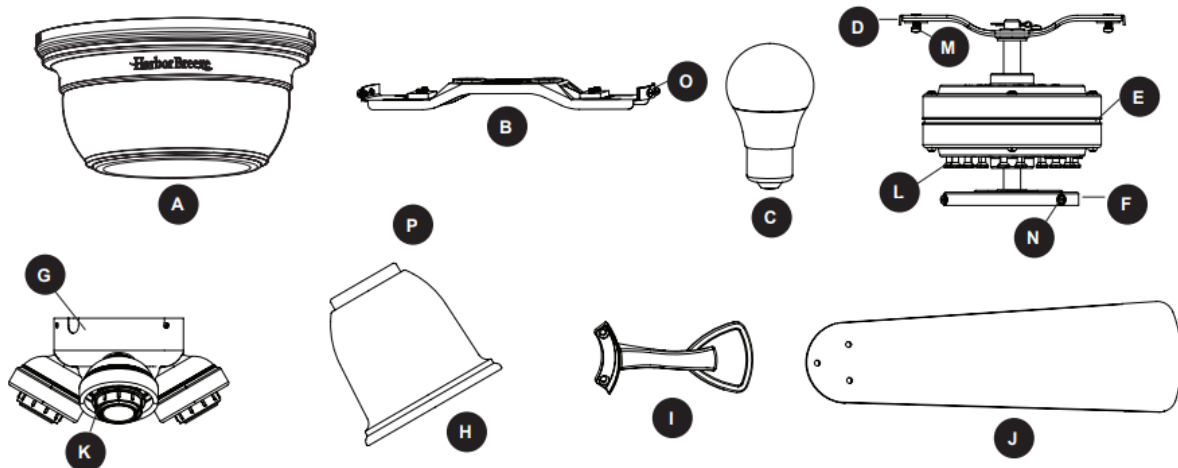


USER MANUAL CEILING FAN



PACKAGE CONTENTS



PART	DESCRIPTION	QUANTITY
A	Motor Housing	1
B	Upper Mounting Bracket	1
C	Bulb	4
D	Lower Mounting Bracket (preassembled to Motor [E])	1
E	Motor	1



F	Fitter Plate (preassembled to Motor [E])	1
G	Light Kit	1
H	Glass Shade	4
I	Blade Arm	5
J	Blade	5
K	Socket Ring (preassembled to Light Kit [G])	4
L	Motor Screw (preassembled to Motor [E])	10
M	Lower Bracket ScREW (preassembled to Lower Mounting Bracket [D])	4
N	Fitter Plate Screw (preassembled to Fitter Plate [F])	3
O	Motor Housing Screw (preassembled to Upper Mounting Bracket [B])	4

HARDWARE CONTENTS (shown actual size)

AA

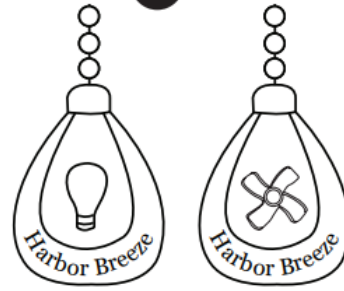
Wire Connector
Qty. 3
+ 1 extra

BB

Blade Screw
Qty. 15
+ 1 extra

CC

Blade Washer
Qty. 15
+ 1 extra

DD

Pull Chain Extension
Qty. 2

XX

Motor Screw
1 extra




SAFETY INFORMATION


Please read and understand this entire manual before attempting to assemble, operate or install the product.


- Before you begin installing the fan, disconnect the power by removing fuses or turning off the circuit breakers.
- Make sure all electrical connections comply with local codes, ordinances, the National Electrical Code and ANSI/NFPA 70-199. Hire a qualified electrician or consult a do-it-yourself wiring handbook if you are unfamiliar with installing electrical wiring.
- Make sure the installation site you choose allows a minimum clearance of 7 ft. from the blades to the floor and at least 30 in. from the end of the blades to any obstruction.
- The net weight of this fan is: 17.82 lbs.




DANGER: When using an existing outlet box, make sure the outlet box is securely attached to the building structure and can support the full weight of the fan. Failure to do this can result in serious injury or death. The stability of the outlet box is essential in minimizing wobble and noise in the fan after installation is complete.


 **WARNING:** To avoid personal injury, the use of gloves may be necessary while handling fan parts with sharp edges.


 **WARNING:** Using a full-range dimmer switch to control fan speed will cause a loud humming noise from the fan. To reduce the risk of fire or electric shock, do NOT use a full-range dimmer switch to control the fan speed.

 **WARNING:** To reduce the risk of fire, electric shock or personal injury, mount the fan to an outlet box marked “ACCEPTABLE FOR FAN SUPPORT” and use the mounting screws provided with the outlet box. Most outlet boxes commonly used for the support of lighting fixtures are not acceptable

for fan support and may need to be replaced. Consult a qualified electrician if in doubt. Secure the outlet box directly to the building structure. The outlet box and its support must be able to support the moving weight of the fan (at least 35 lbs.).

 **WARNING:** To reduce the risk of fire, electrical shock or personal injury, wire connectors provided with this fan are designed to accept only one 12-gauge house wire and two lead wires from the fan. If your house wire is larger than 12-gauge and there is more than one house wire to connect to the two fan lead wires, consult an electrician for the proper size wire connectors to use.

 **WARNING:** To reduce the risk of fire, electric shock or personal injury, do not bend the blade arms when installing them, balancing the blades or cleaning the fan. Do not insert objects between the rotating fan blades.

 **WARNING:** To reduce the risk of personal injury, use only parts provided with this fan. The use of parts OTHER than those provided with this fan will void the warranty.

SAFETY INFORMATION

CAUTION: Read all instructions and safety information before installing your new fan. Review the accompanying assembly diagrams.

CAUTION: Be sure the outlet box is properly grounded or that a ground (green or bare) wire is present.

CAUTION: Carefully check all screws, bolts and nuts on the fan motor assembly to ensure they are secured.

CAUTION: This device complies with part 15 of FCC Rules. Operation is subject to the following two conditions: 1) This device may cause harmful interference, and 2) this device must accept any interference received, including interference that may cause undesired operation. This equipment has been tested and found to comply with the limits for a Class B digital device, pursuant to Part

15 of the FCC Rules. These limits are designed to provide reasonable protection against harmful interference in a residential installation. This equipment generates, uses and can radiate radio frequency energy and, if not installed and used in accordance with the instructions, may cause harmful interference to radio communications. However, there is no guarantee that interference will not occur in a particular installation. If this equipment does cause harmful interference to radio or television reception, which can be determined by turning the equipment off and on, the user is encouraged to try to correct the interference by one or more of the following measures: -

- Reorient or relocate the receiving antenna.
- Increase the separation between the equipment and receiver
- Connect the equipment into and outlet on a circuit different from that to which the receiver is connected.
- Consult the dealer or an experienced radio/TV technician for help.

Please note changes or modifications not expressly approved by the party responsible for compliance could void the user's authority to operate the equipment.

PREPARATION

Before beginning the assembly of this product, ensure that all parts are present. Compare all parts with the package contents list and hardware contents list. If any part is missing or damaged, do not attempt to assemble the product.

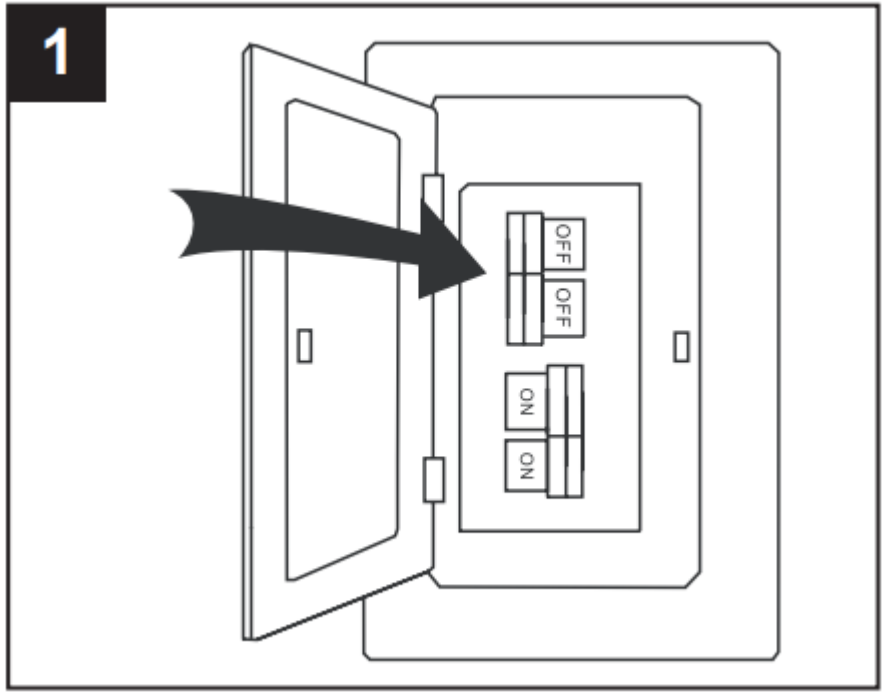
Estimated Assembly Time: 120 minutes

Tools Required for Assembly (not included): Electrical Tape, Phillips Screwdriver, Pliers, Safety Glasses, Step Ladder, Wire Cutters and Wire Strippers

Helpful Tools (not included): AC Tester Light, Tape Measure and Wiring Handbook

INITIAL INSTALLATION

1. Turn off the circuit breakers and the wall switch to the fan supply line leads.



DANGER: Failure to disconnect the power supply prior to installation may result in serious injury or death.

2. This fan is intended for Flushmount installation.

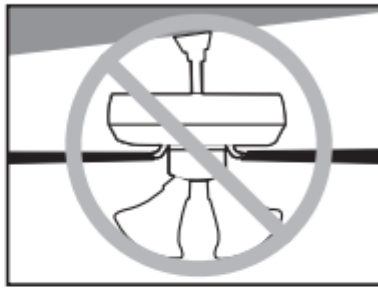
Standard Mounting, Angle Mounting, and Closemount installations are not available.



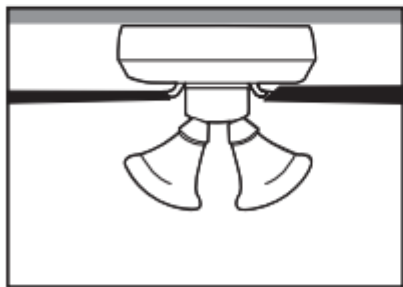
2



Standard Mounting



Angle Mounting

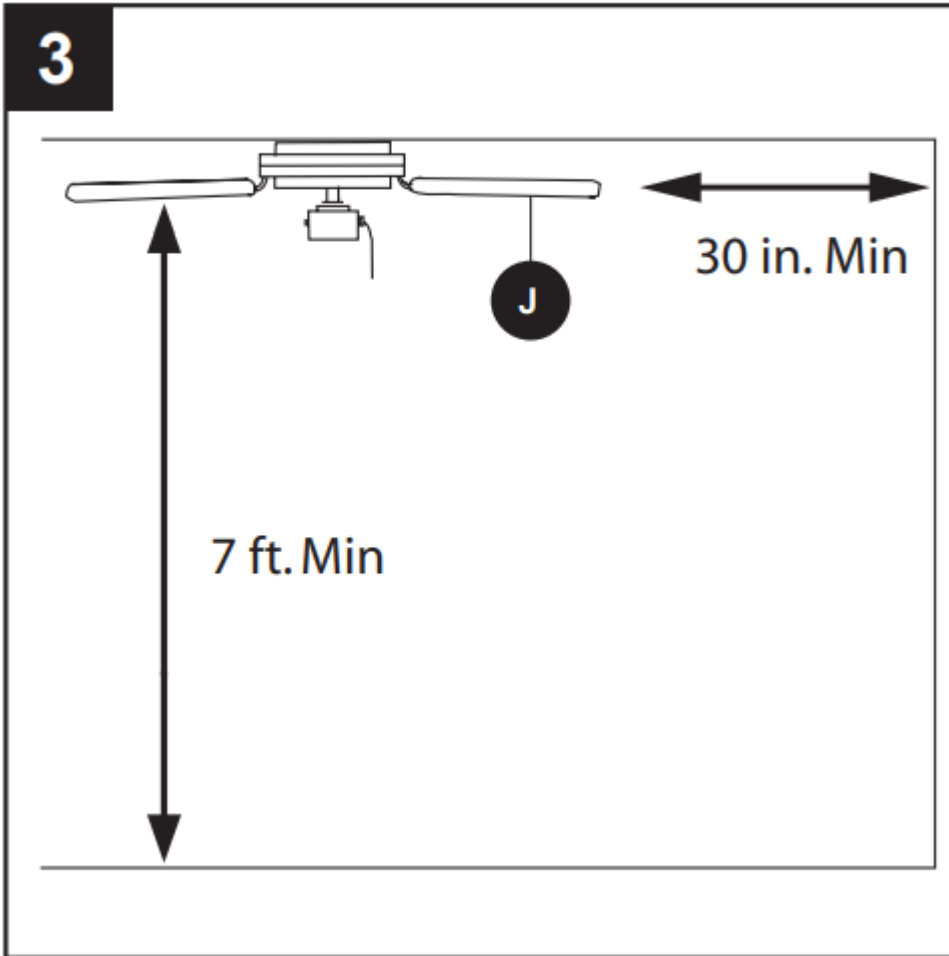


Flushmount

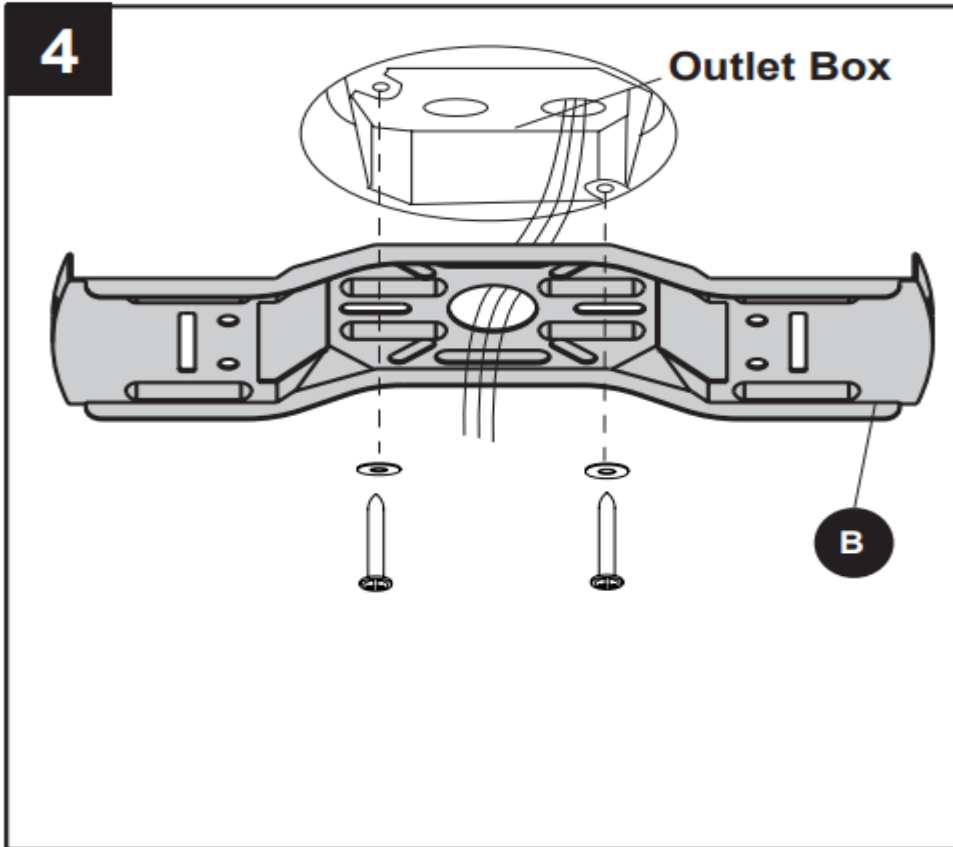


Closemount

3. Ensure the blades (J) will be at least 30 in. from any obstructions and will be at least 7 ft. above the floor.

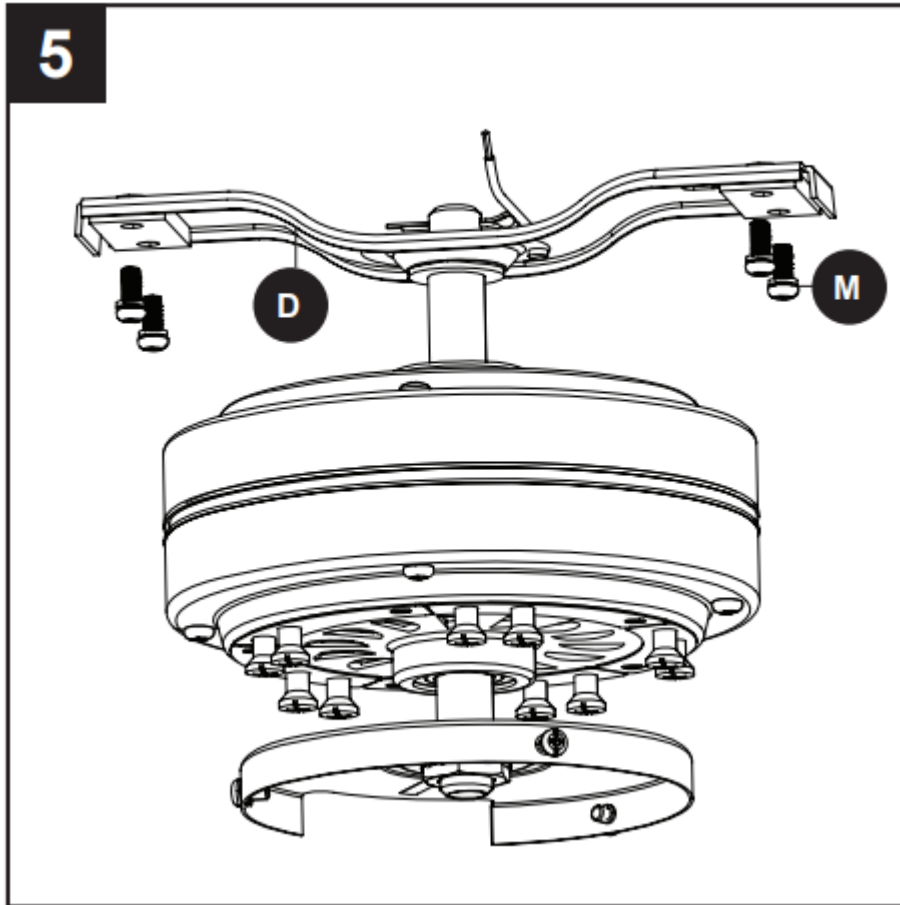


4. Secure the upper mounting bracket (B) to the outlet box (not included) using screws and washers provided with the outlet box.



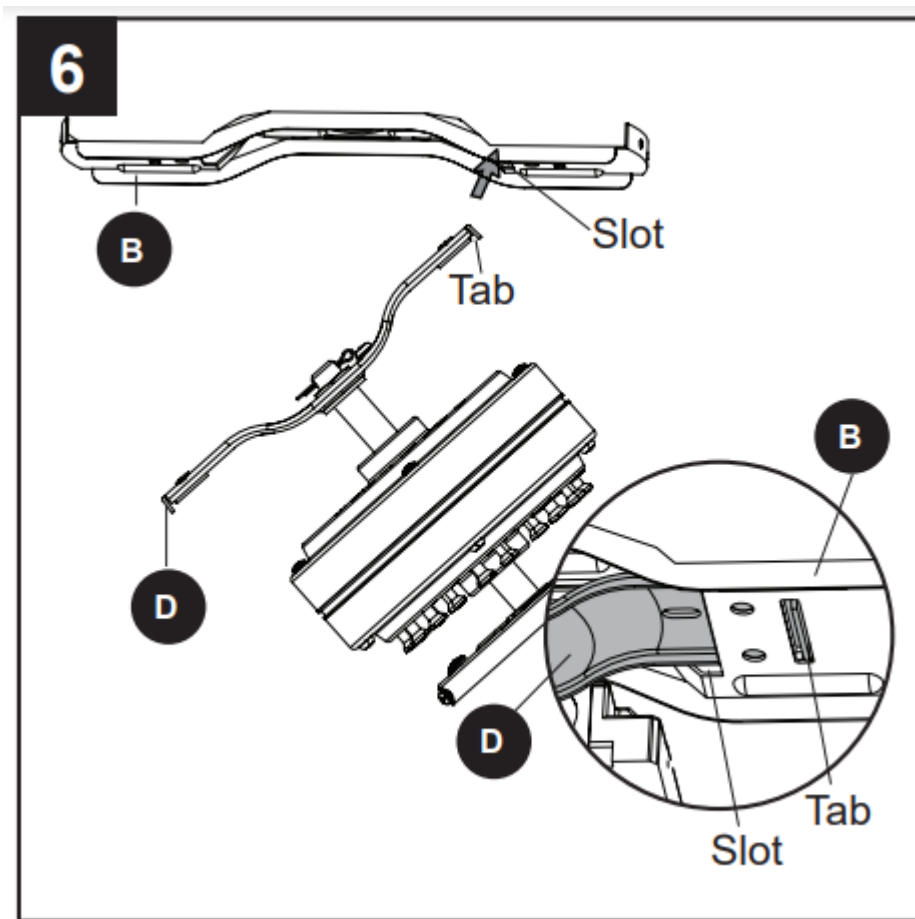
CAUTION: It is very important that you use the proper hardware when installing the upper mounting bracket (B) as it will support the fan.

5. Remove the lower bracket screws (M) from underneath the lower mounting bracket (D).

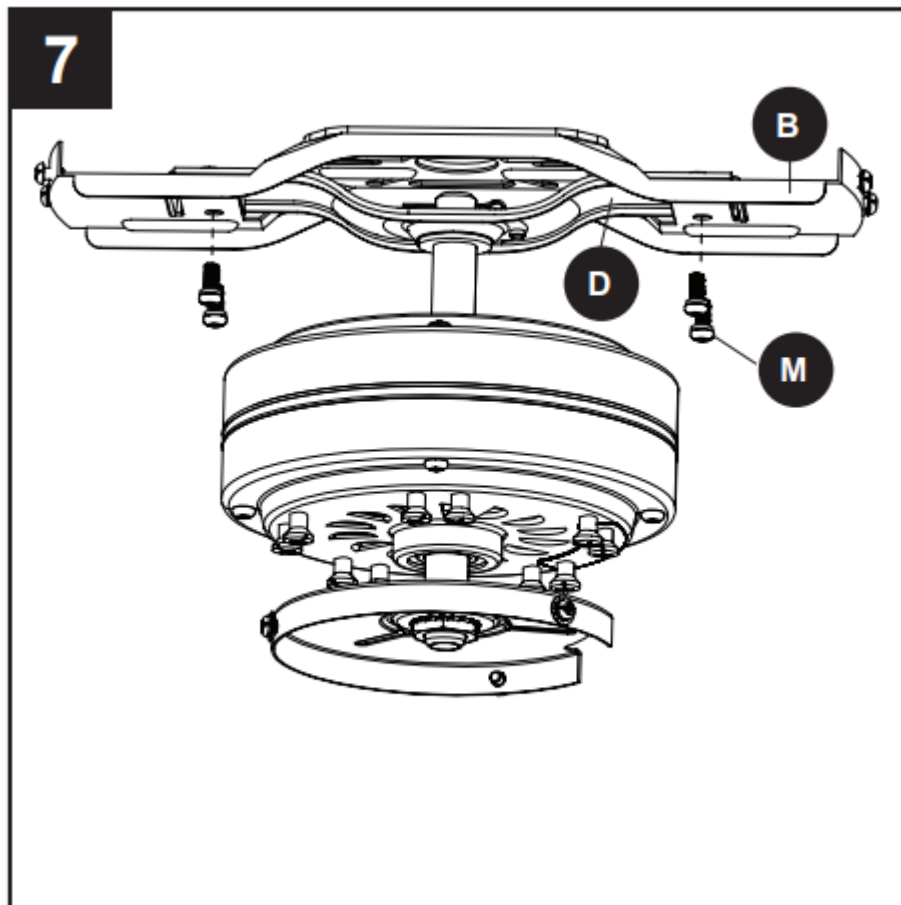


Note: Make sure to keep loose hardware separate to avoid confusion during installation.

6. Place one tab of the lower mounting bracket (D) into a slot in the upper mounting bracket (B). Then slide the second tab of the lower mounting bracket (D) into the second slot on the upper mounting bracket (B) until all four holes are in alignment.



7. Re-install the previously removed lower bracket screws (M) to secure the lower mounting bracket (D) and the upper mounting bracket (B).



WIRING

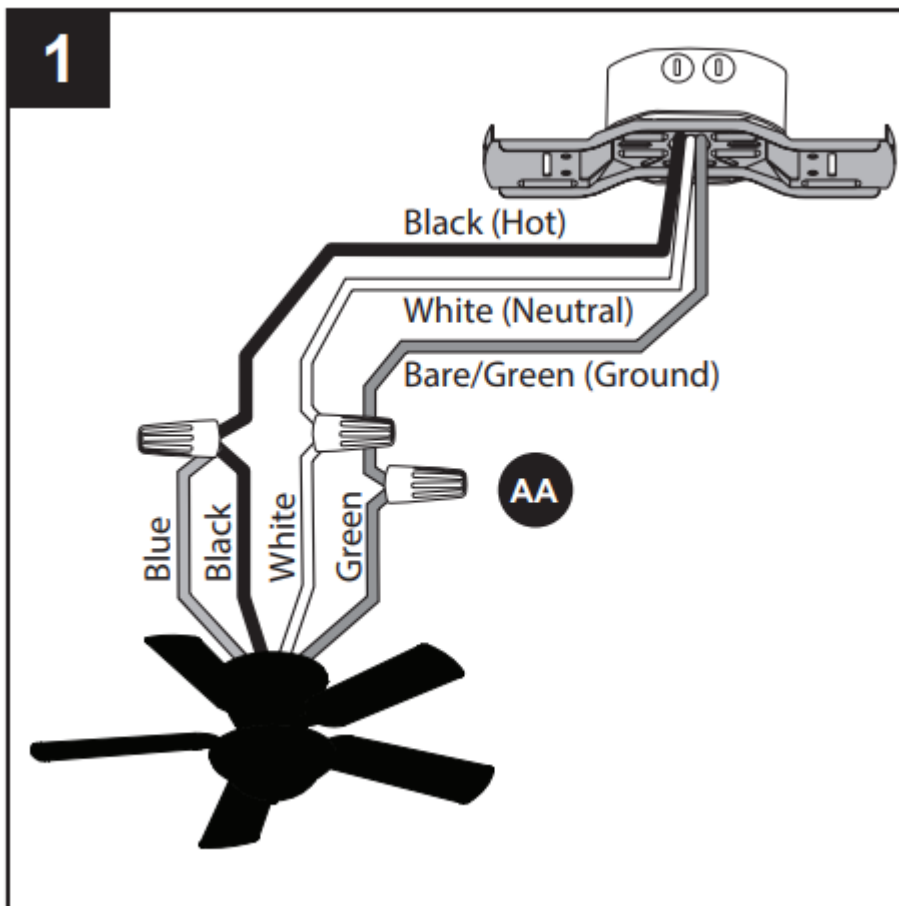
! WARNING: To reduce the risk of fire, electrical shock or personal injury, wire connectors provided with this fan are designed to accept only one 12-gauge house wire and two lead wires from the fan. If your house wire is larger than 12-gauge and/or there is more than one house wire to connect to the two fan lead wires, consult an electrician for the proper size wire connectors to use.

CAUTION: Be sure the outlet box is properly grounded or that a Ground (Green or Bare) wire is present.

1. Connect household supply and fan wires according to the diagram and these steps:

- Connect the Green wire from fan to the Bare/Green supply wire.
- Connect the White wire from the fan to the White supply wire.
- Connect the Black and Blue wires from the fan to the Black supply wire.

- Secure all wiring connections together with wire connectors (AA).



Note: If there is a second hot/power wire coming from the outlet box, connect it to the blue (light power) fan wire for separate light and fan control.

Note: The Black wire is hot power for the fan. The White wire is common for the fan and light kit. The Blue wire is hot power for light. The Green wire is the ground wire. If household supply wires are different colors than referred to above, it is recommended a professional electrician determines the proper wiring.

Hardware Used



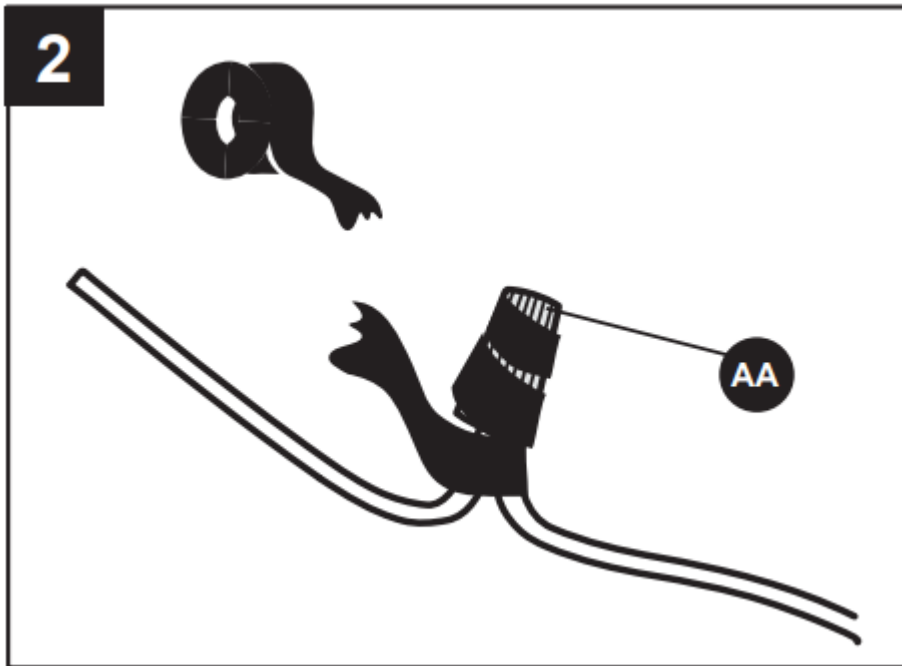
Wire Connector



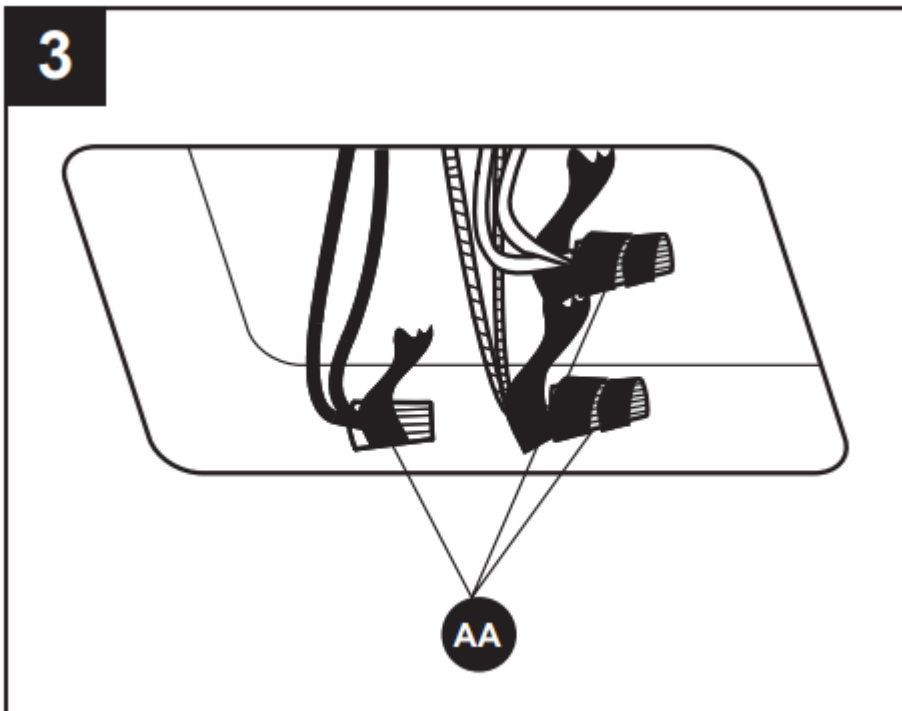
x 3

2. Wrap electrical tape (not included) around each individual wire connector (AA) down to the wire.





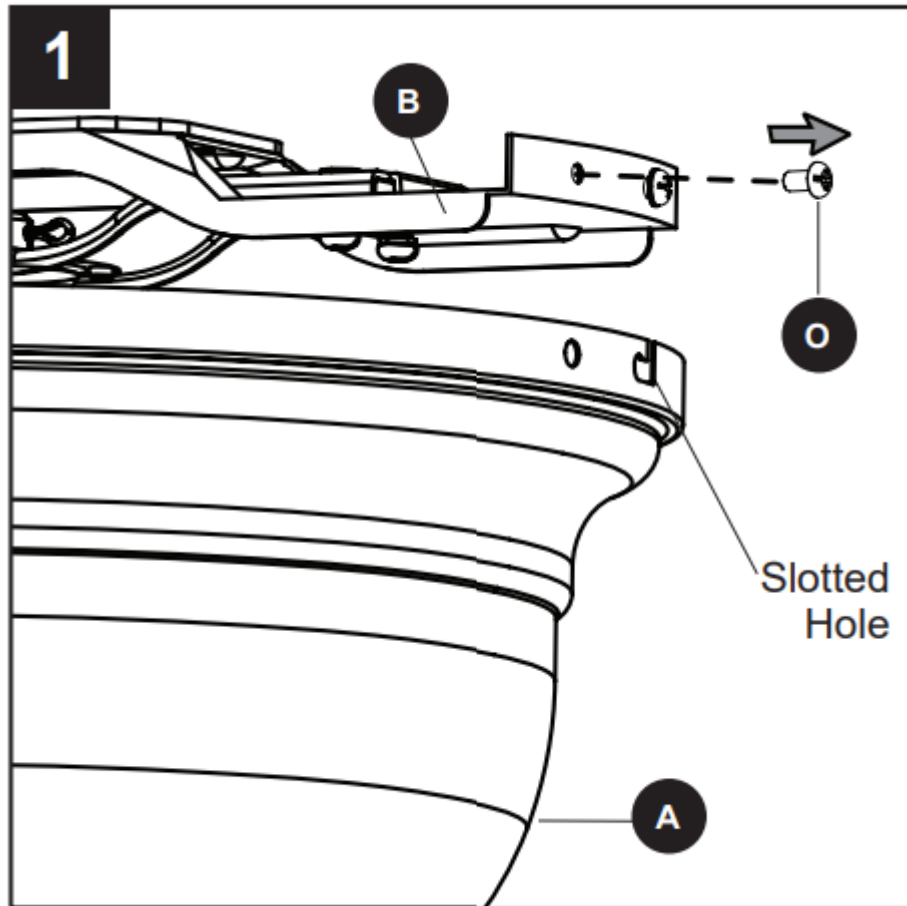
3. Turn the spliced/taped wires upward and gently push the wires and wire connectors (AA) into the outlet box.



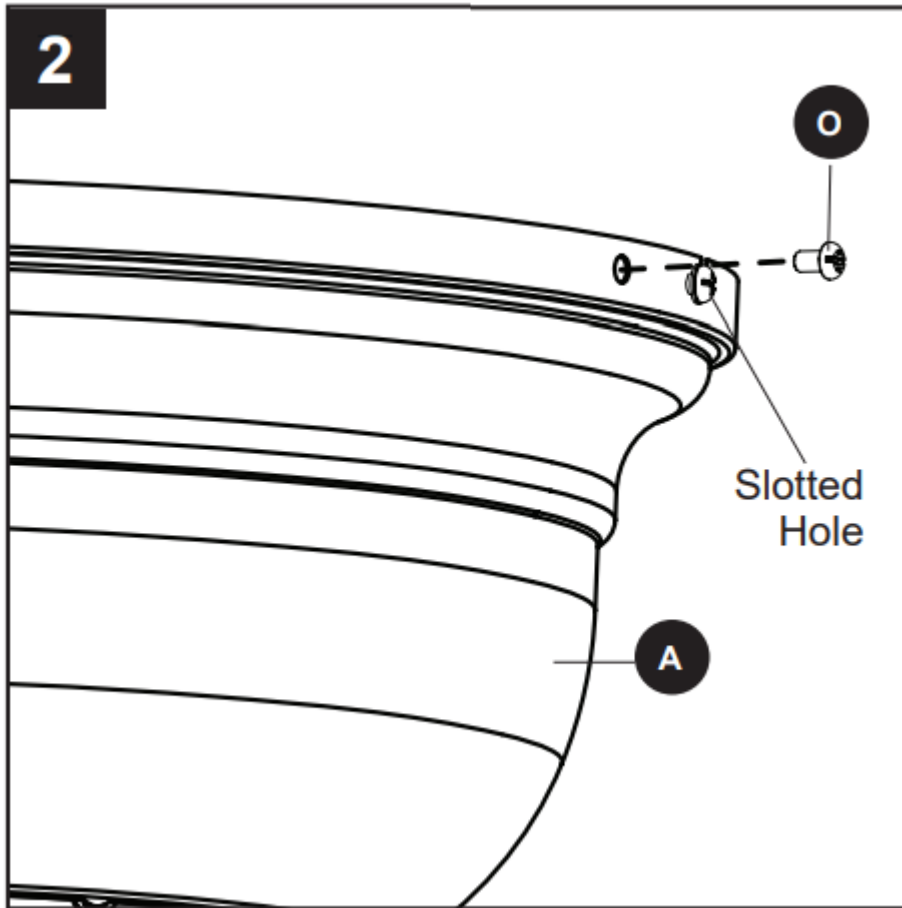
! **WARNING:** Ensure no bare wire or wire strands are visible after making connections. Place the Green and White wire connections on the opposite side of the outlet box from the Black and Blue wire connections.

FINAL INSTALLATION

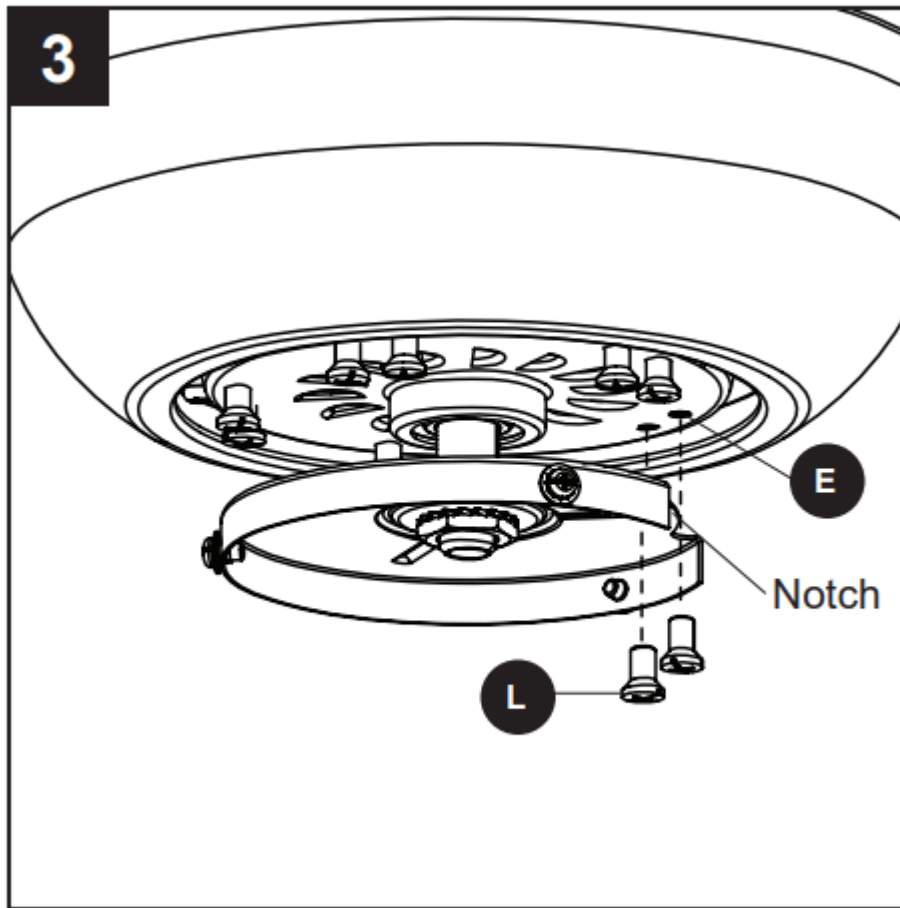
1. Temporarily lift the motor housing (A) to the upper mounting bracket (B) to determine which two motor housing screws (O) in the sides of the upper mounting bracket (B) align with the slotted holes in the top edge of the motor housing (A). Partially loosen the two motor housing screws (O) that align with the slotted holes. Remove the other two motor housing screws (O) from the upper mounting bracket (B).



2. Slide the motor housing (A) over the motor (E), aligning the slotted holes in the motor housing (A) with the loosened motor housing screws (O) in the upper mounting bracket (B). Twist the motor housing (A) clockwise to lock. Then re-insert the two previously removed motor housing screws (O) and securely tighten all screws.

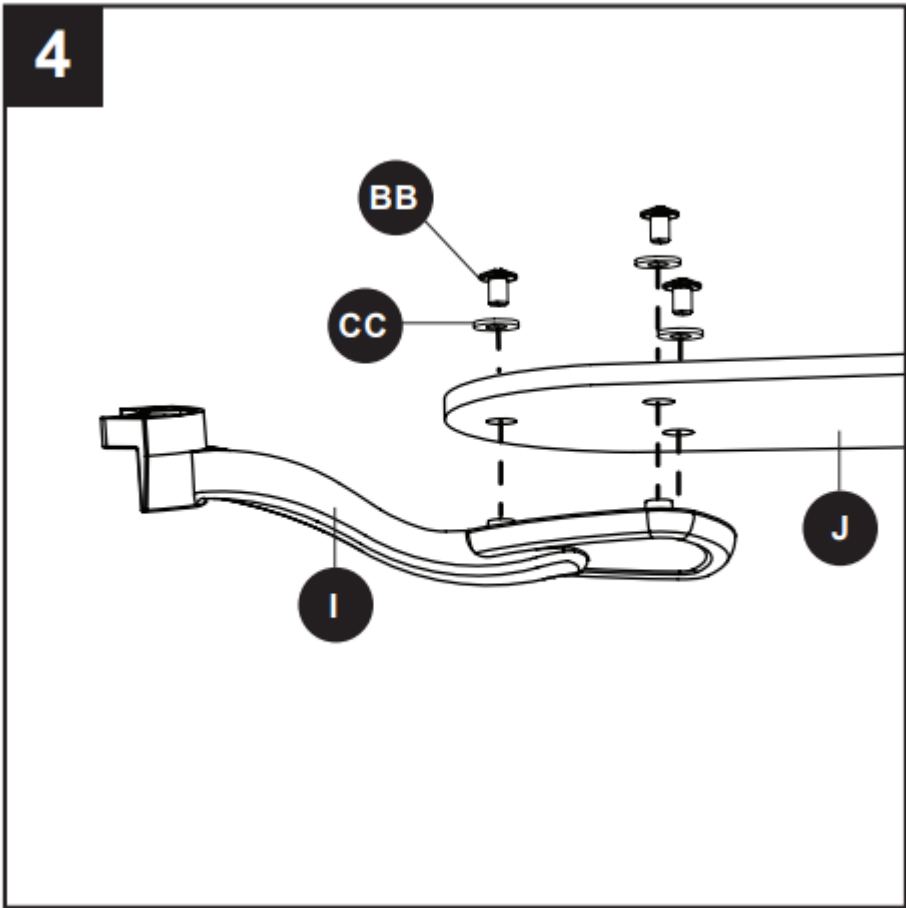


3. Remove the 10 motor screws (L) from the motor (E) and save for later use.



Note: The notch in the fitter plate allows a Phillips screwdriver (not included) access to motor screws (L).

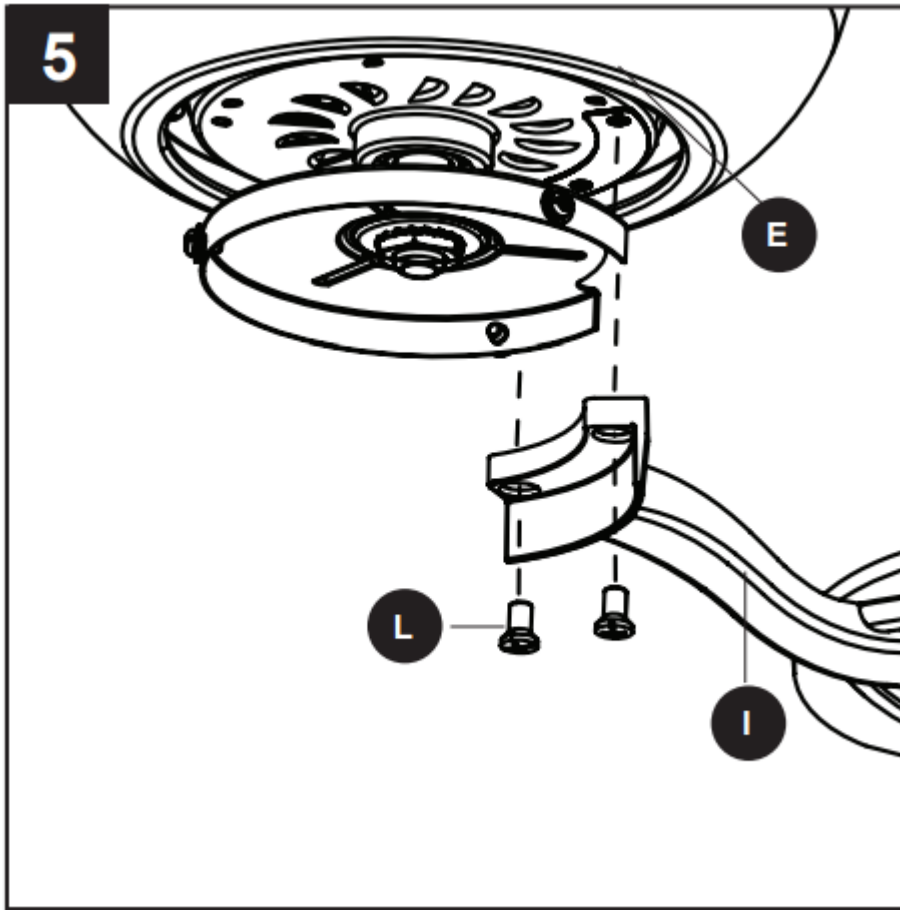
4. Partially insert the blade screws (BB) along with the blade washers (CC) through the blade (J) and into the blade arm (I). Tighten each blade screw (BB) with a Phillips screwdriver, starting with the one in the middle. Repeat this step for the remaining blades (J) and blade arms (I).



Hardware Used

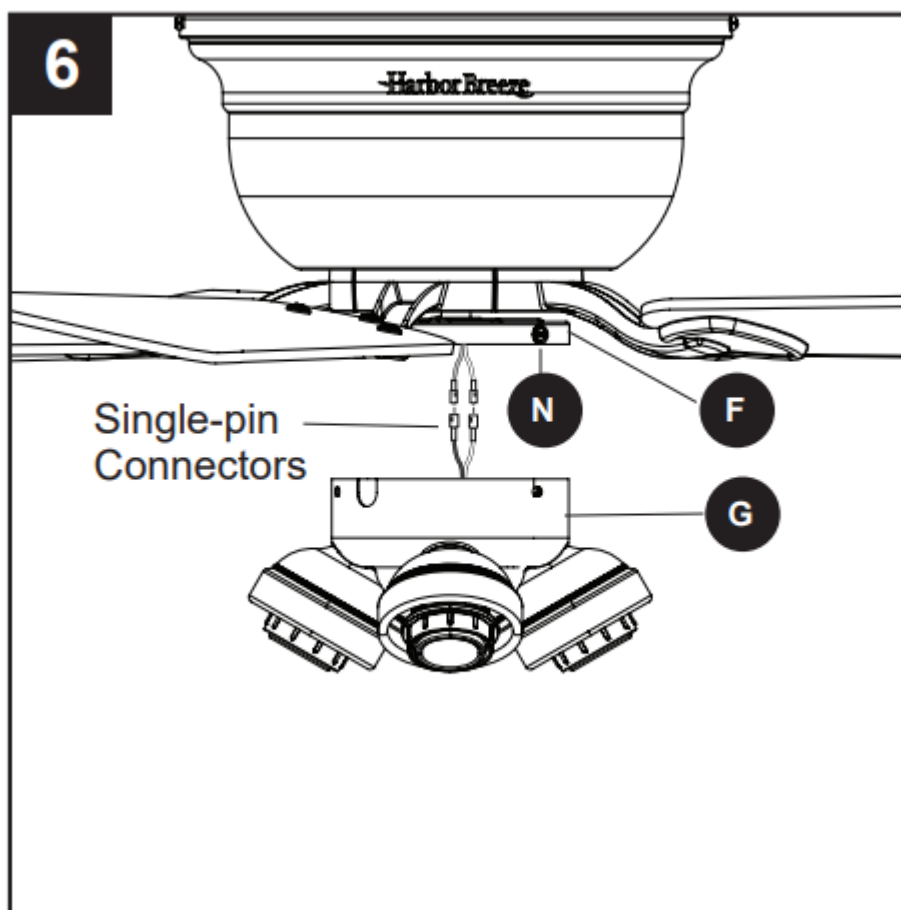
BB	Blade Screw		x 15
CC	Blade Washer		x 15

5. Install the blade arm (I) to the underside of the motor (E) with motor screws (L) previously removed (Step 3, page 10). Tighten with Phillips screwdriver. Repeat for each blade arm (I).

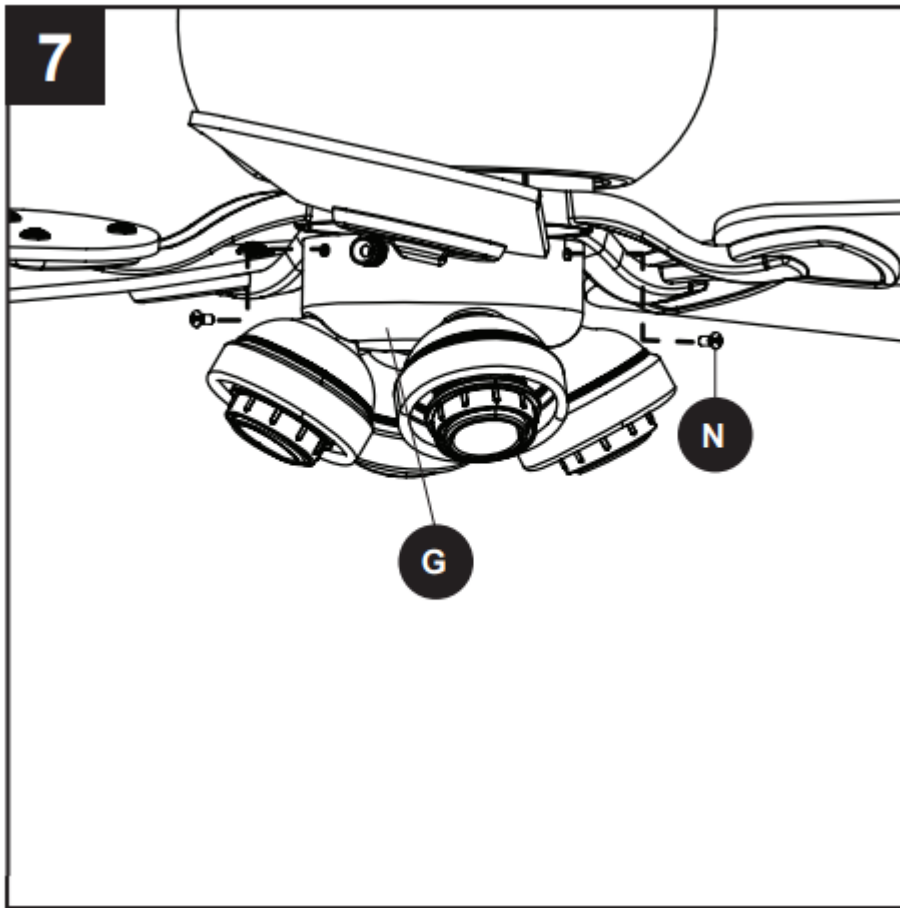


6. Remove the fitter plate screws (N) preassembled to the fitter plate (F). Then, connect the single-pin connectors from the fitter plate (F) and the light kit (G) -- blue to black and white to white.

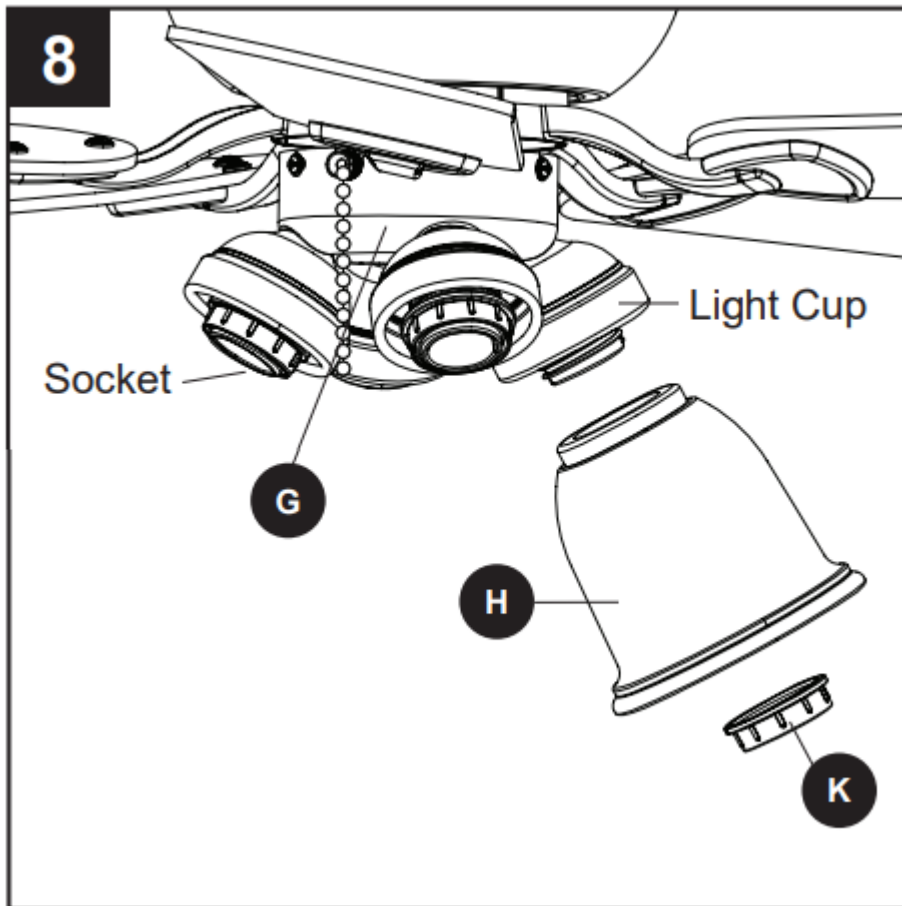




7. Secure the light kit (G) to the fitter plate (F) by reinstalling the fitter plate screws (N).

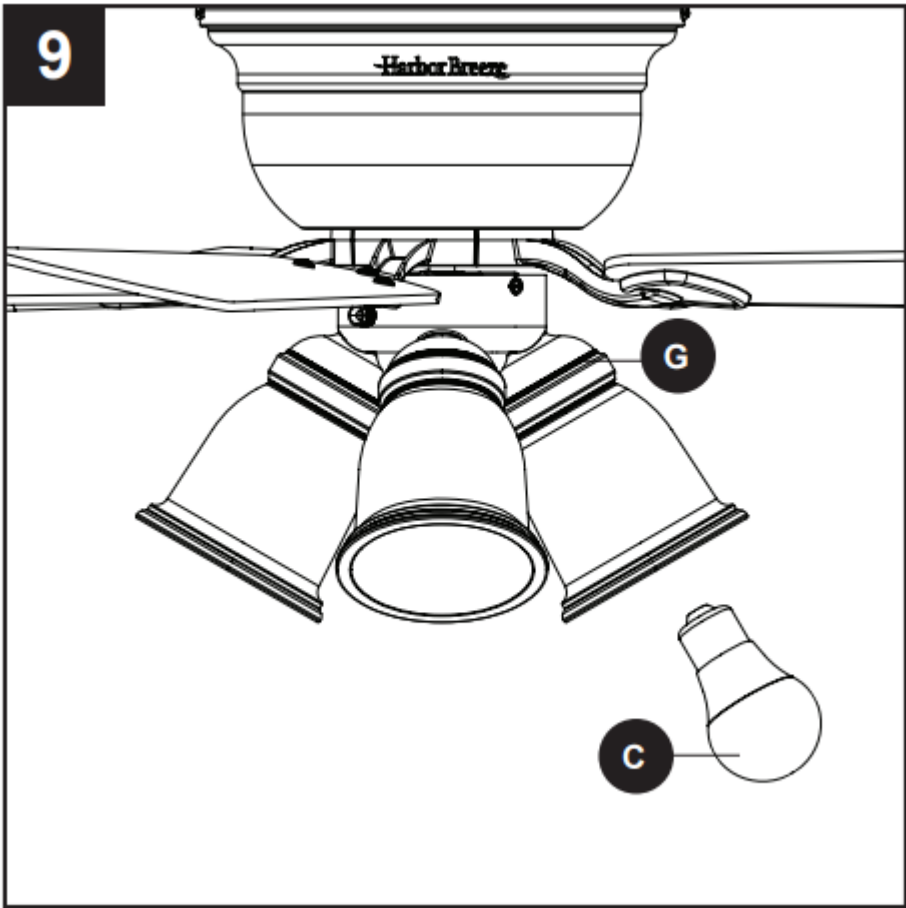


8. Unscrew the socket ring (K) from the socket of the light kit (G). Then lift the glass shade (H) into the light cup. Secure the glass shade (H) by reinstalling the socket ring (K).



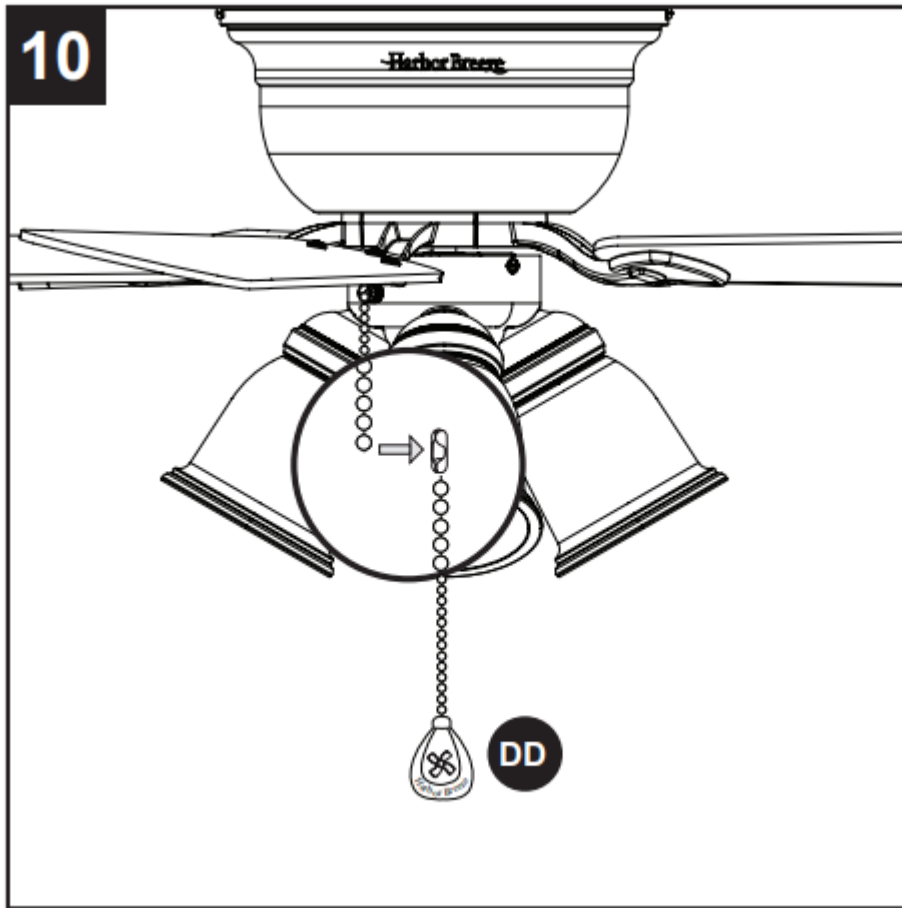
9. Install bulbs (C) into the sockets of the light kit (G).





10. Attach the pull chain extensions (DD) or custom pull chain extensions (not included) to the fan and light pull chains (if applicable).

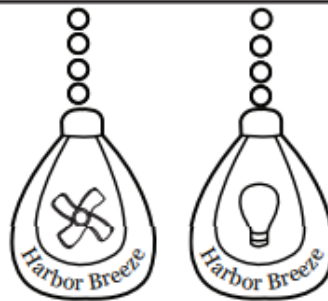




Hardware Used



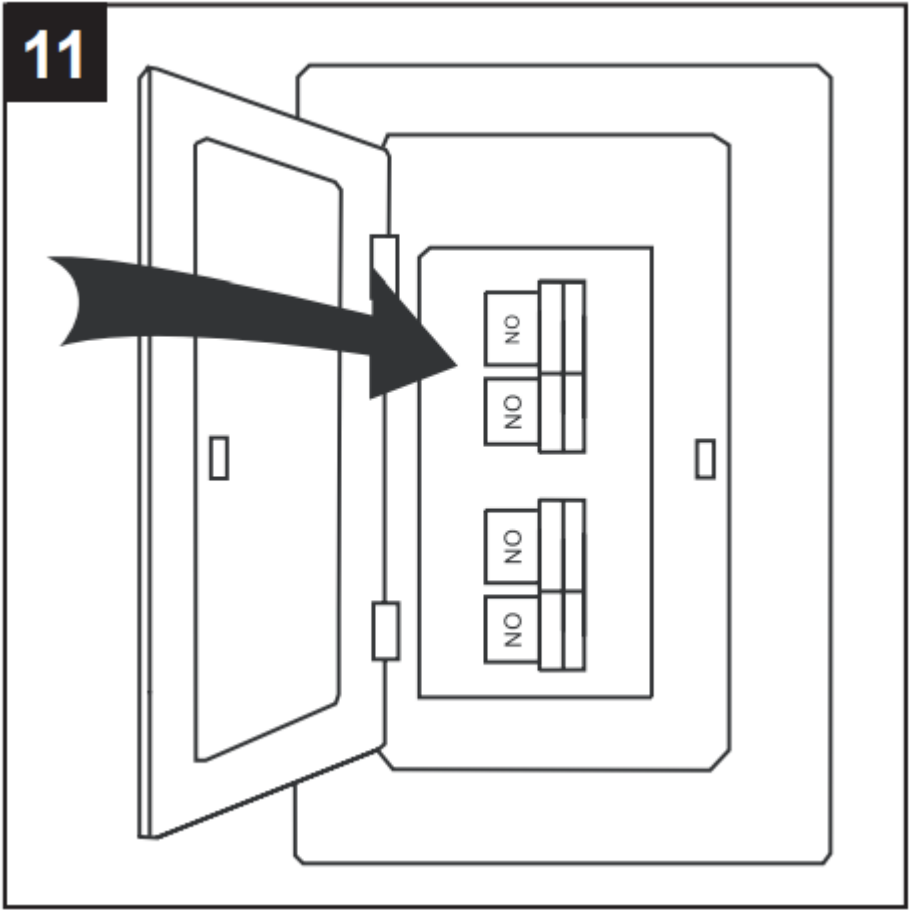
Pull Chain
Extension



x 2

11. Turn on power supply to the fan.

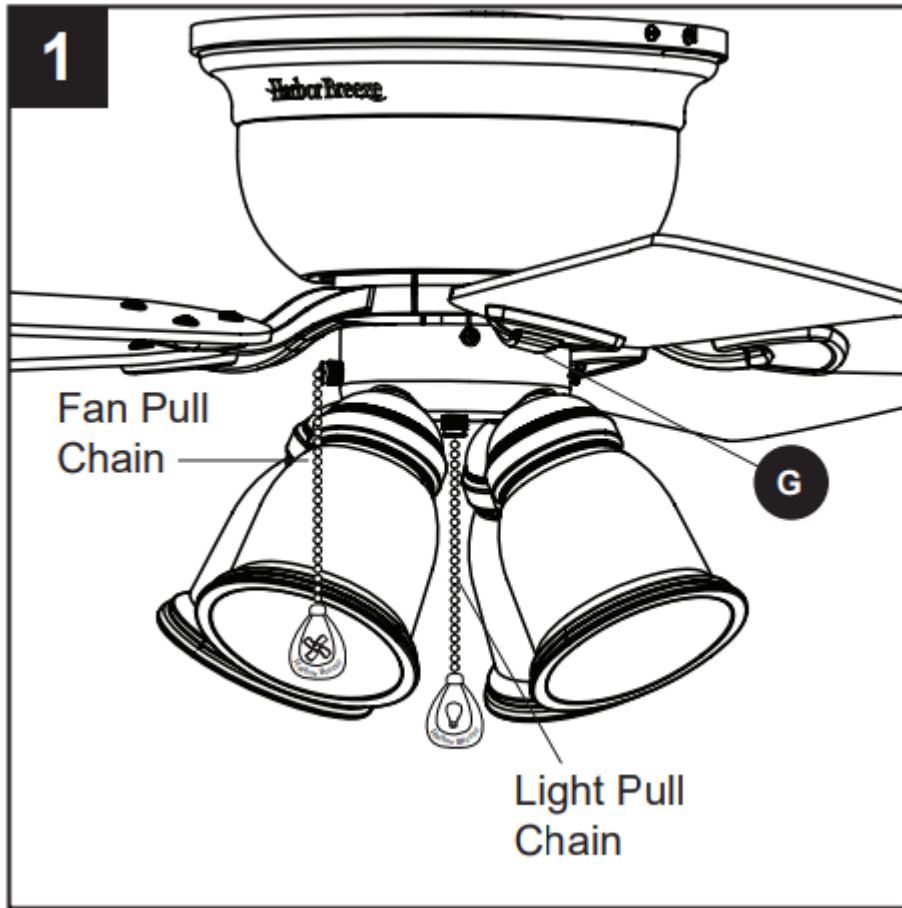
Assembly is complete.



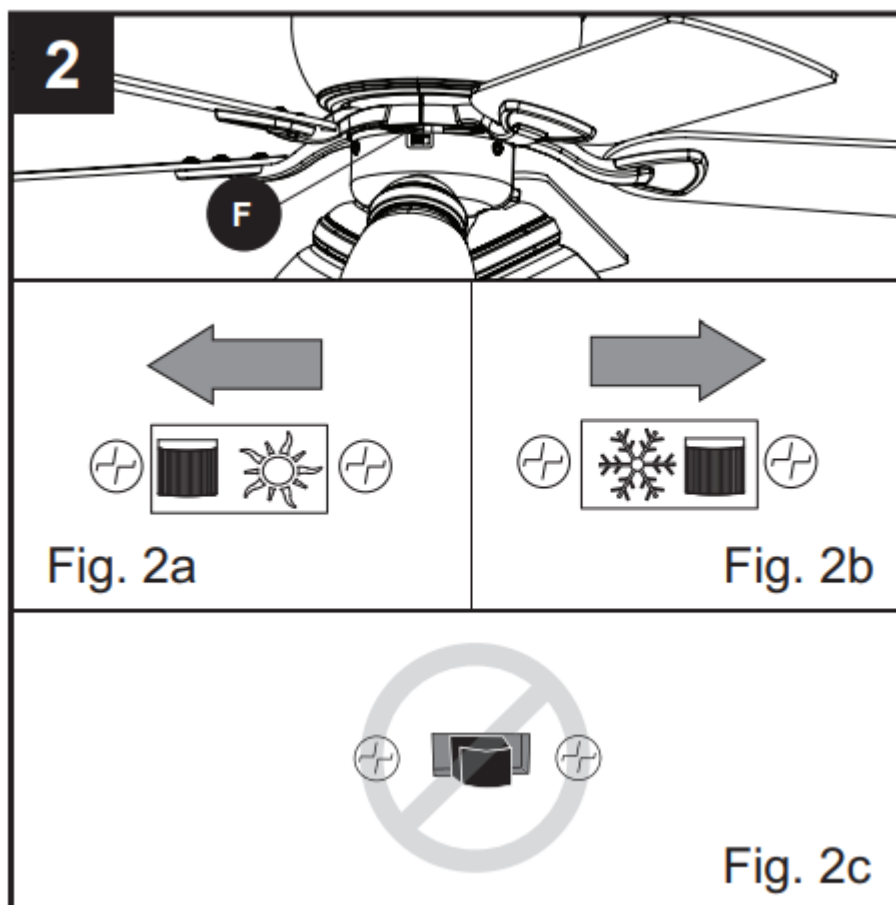
OPERATING INSTRUCTIONS

1. The pull chain on the side of the light kit (G) has four positions to control the fan speed. One pull is HIGH, two is MEDIUM, three is LOW, and four turns the fan OFF. The pull chain in the center of the light kit (G) turns the lights ON and OFF.





2. Using a ceiling fan will allow you to raise your thermostat setting in summer and lower your thermostat setting in winter without feeling a difference in your comfort. **Note:** Wait for the fan to stop before moving the reverse switch located on the fitter plate (F).



In warmer weather, push the reverse switch left to display a sun icon, which will result in downward airflow creating a wind chill effect (Fig. 2a).

In cooler weather, push the reverse switch right to display a snowflake icon, which will result in upward airflow that can help move hot air off the ceiling area (Fig. 2b).

Important The reverse switch must be set either completely left or right in order for the fan to function correctly. If the reverse switch is set in the middle position, the fan will not operate (Fig. 2c).

CARE AND MAINTENANCE

At least twice each year, tighten all screws on the fan. Clean the motor housing with only a soft brush or lint-free cloth to avoid scratching the finish. Clean the blades with a lint-free cloth.

Bulb Replacement: Use 40-watt max. E26-base LED, CFL or incandescent bulbs. Halogen bulbs are not recommended for this item.

Important Shut off the main power supply before you begin any maintenance tasks. Do not use water or a damp cloth to clean the ceiling fan.

TROUBLESHOOTING

The fan does not move. PROBLEM	1. The power is off or the fuse is blown. POSSIBLE CAUSE	1. Turn the power on or check the fuse. CORRECTIVE ACTION
The fan does not move.	2. There is a faulty wire connection. 1. The power is off or the fuse is blown. 3. The plugs are not connected properly. 2. There is a faulty wire connection. 4. The reverse switch is not completely engaged. 3. The plugs are not connected properly. 4. The reverse switch is not	2. Turn the power off. Loosen the canopy and check all connections. 1. Turn the power on or check the fuse. 3. Turn the power off. Loosen the canopy and check all connections from the light kit and fan are connected properly. 4. Push the reverse switch completely to the left or right, connected properly.
There is excessive wobbling.	completely engaged. 1. The blades and/or blade are loose.	4. Push the reverse switch completely to the left or right that hold the fan blades to the
There is excessive wobbling.	2. The blades are unbalanced. 1. The blades and/or blade are loose. 3. The fan mounting is not secure. 2. The blades are unbalanced. 3. The fan mounting is not secure.	blade arms and the blade arms to the motor. 1. Check and tighten all screws that hold the fan blades to the blade from the opposite side. 2. Switch one blade with a blade from the opposite side. Or balance the fan using a blade balancing kit (sold separately). 3. Turn on the power. Loosen the motor housing and verify the upper mounting bracket is secure to the electrical outlet box. The bracket must be flush without movement against the outlet box. 4. Turn off the power. Loosen the motor housing and verify the upper mounting bracket is secure to the electrical outlet box. The bracket must be flush without movement against the outlet box.
The fan operates correctly, but the lights are not working.	1. The bulbs are not installed correctly.	without movement against the outlet box. 1. Re-install the bulb(s). 2. Ensure the single-pin
The fan operates correctly, but the lights are not working.	2. The light kit wire plugs are not connected properly. 1. The bulbs are not installed correctly. 3. There is a faulty wire connection. 2. The light kit wire plugs are not connected properly.	connectors in the light kit are connected properly. 1. Re-install the bulb(s). 3. Ensure the single-pin connectors in the light kit are connected properly. 3. Turn the power off and check all connections at the ceiling outlet box.
The fan is noisy.	3. There is a faulty wire connection. 1. The blades are loose. 2. There is a cracked blade.	3. Turn the power off and check all connections at the ceiling outlet box.



	<ol style="list-style-type: none"> 3. Wall control is not compatible with the fan. 4. The outlet box is not secure. 5. The mounting bracket is not secure. 	<ol style="list-style-type: none"> 1. Check and tighten all screws that hold the fan blades to the blade arms and the motor. 2. Replace the cracked blade. 3. Do not use a full range dimmer switch to control the fan speed. 4. Ensure the outlet box is secured to the building structure. 5. Ensure the mounting bracket is secured to the outlet box and that the screws are tight.
--	---	--

<p>The fan is noisy.</p>	<ol style="list-style-type: none"> 1. The blades are loose. 2. There is a cracked blade. 3. Wall control is not compatible with the fan. 4. The outlet box is not secure. 5. The mounting bracket is not secure. 	<ol style="list-style-type: none"> 1. Check and tighten all screws that hold the fan blades to the blade arms and the motor. 2. Replace the cracked blade. 3. Do not use a full range dimmer switch to control the fan speed. 4. Ensure the outlet box is secured to the building structure. 5. Ensure the mounting bracket is secured to the outlet box and that the screws are tight.
---------------------------------	---	--

Warning

This content is compiled from multiple sources and is provided for reference purposes only. It may not be complete or fully applicable to all situations. If you are unable to resolve your issue, please contact the product manufacturer or an authorized service provider for official support.

