

INSTALLATION REQUIREMENTS

Location Requirements—All Models

IMPORTANT: Observe all governing codes and ordinances.

Check the location where the air conditioner will be installed. Make sure you have everything necessary for correct installation.

The location should provide:

- Grounded electrical outlet within 6 ft (183 cm) of where the power cord exits the air conditioner.

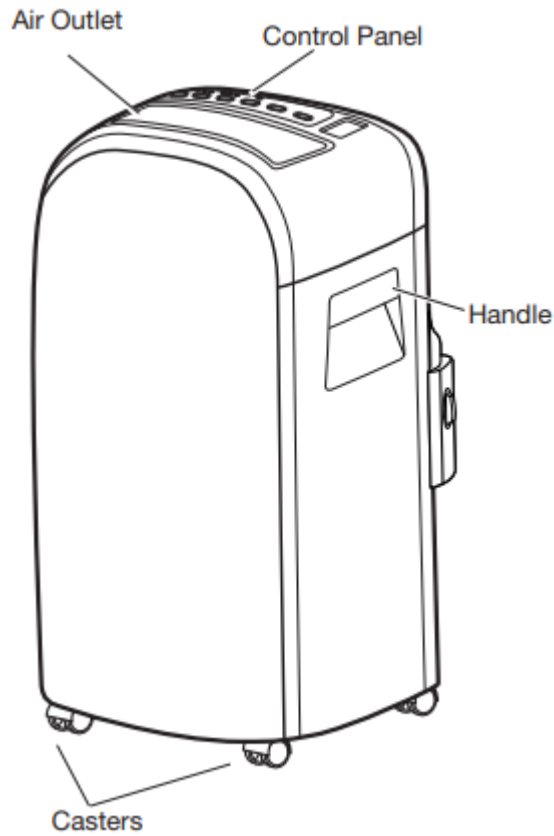
NOTE: Do not use an extension cord.

- Free movement of air in room to be cooled.
- A large enough opening for the air conditioner. Installation parts are supplied for double-hung windows.
- Allow at least 10" (25 cm) clearance from walls and furniture.

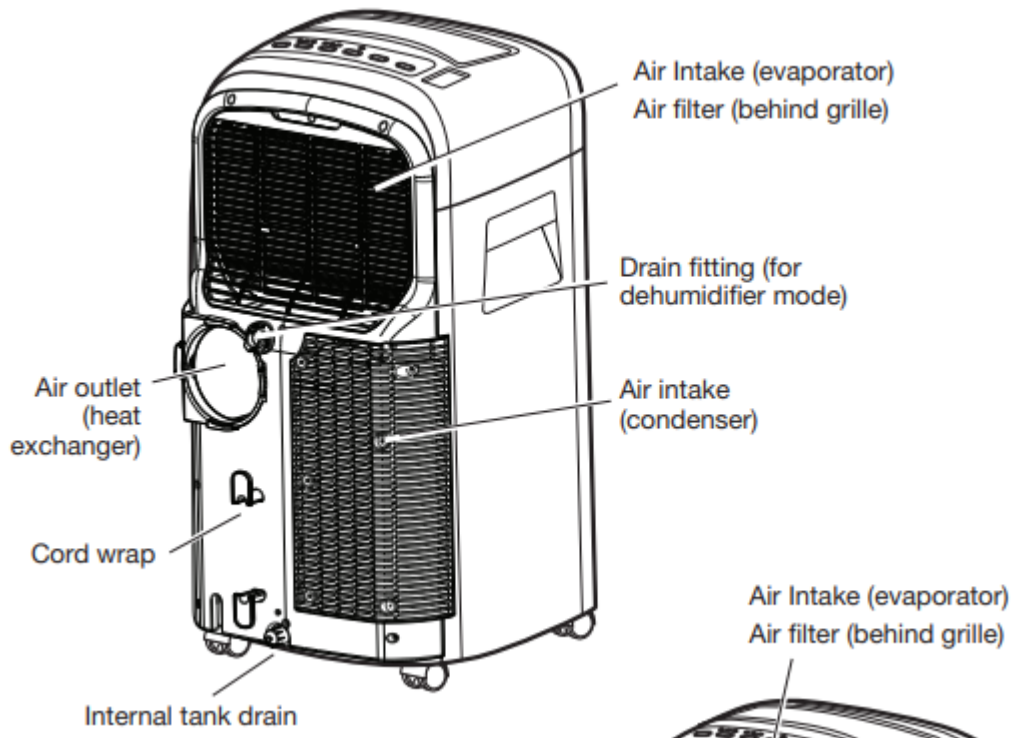
NOTE: Cabinet louvers must not be obstructed. Do not place the unit in front of drapes or curtains; they may block the air intake.

PARTS AND FEATURES

Front View

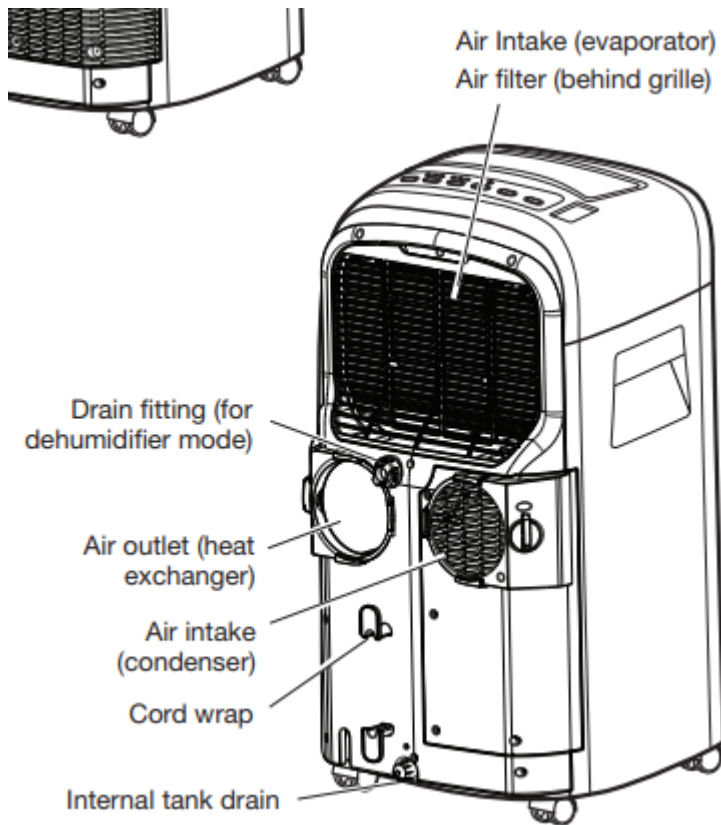


Back View (single vent models)



Back View (dual vent models)

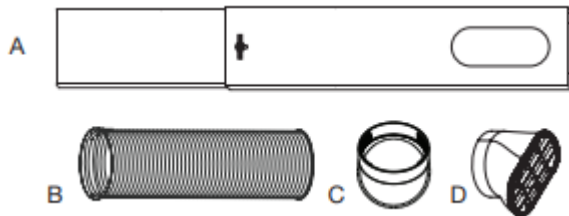




Installation Parts Supplied

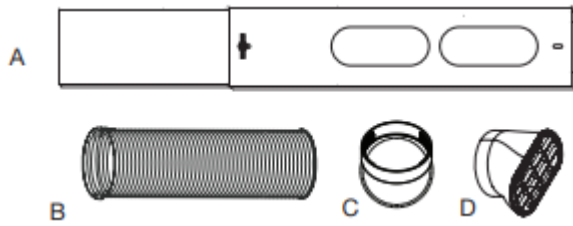
Check that all parts are included in parts package.

Single Vent Models



- A. Single vent window insert panel (1)
- B. Flexible vent hose (1)
- C. Vent hose round connector (1)
- D. Vent hose window connector (1)

Dual Vent Models



- A. Dual vent window insert panel (1)
- B. Flexible vent hose (2)
- C. Vent hose round connector (2)
- D. Vent hose window connector (2)

Electrical Requirements—All Models

WARNING: Electrical Shock Hazard

Plug into a grounded 3 prong outlet

Do not remove ground prong

Do not use an adapter.

Do not use an extension cord.

Failure to follow these instructions can result in death, fire, or electrical shock.

The electrical ratings for your air conditioner are listed on the model and serial number label.

The model and serial number label is located on the back of the air conditioner cabinet.

Specific electrical requirements are listed in the “Power Supply Cord Electrical Requirements” chart. Follow the requirements for the type of plug shown in the chart.

Electrical Requirements

- 115-volt (103.5 min. - 126.5 max.)
- 0-12 amps
- 15-amp time-delay fuse or circuit-breaker
- If there is a “Single Circuit Only” label on the unit, use on a dedicated single-outlet circuit only. If a dedicated single-outlet circuit is not available, then it is the customer’s responsibility to have a single outlet circuit installed by a qualified electrician.
- If there is no “Single Circuit Only” label on the unit, the unit may be used on any branch circuit of correct voltage and adequate current protection rating.



Recommended Grounding Method

This air conditioner must be grounded. This air conditioner is equipped with a power supply cord having a grounded 3 prong plug. To minimize possible shock hazard, the cord must be plugged into a mating, grounded 3 prong outlet, grounded in accordance with all local codes and ordinances. If a mating outlet is not available, it is the customer's responsibility to have a properly grounded 3 prong outlet installed by a qualified electrical installer. It is the customer's responsibility:

- To contact a qualified electrical installer.
- To assure that the electrical installation is adequate and in conformance with National Electrical Code, ANSI/NFPA 70 - latest edition, and all local codes and ordinances.

Copies of the standards listed may be obtained from:

National Fire Protection Association
1 Batterymarch Park
Quincy, MA 02269

Power Supply Cord

NOTE: Your air conditioner's power supply cord may differ from the one shown. This portable air conditioner is equipped with a power supply cord required by UL. This power supply cord contains state-of-the-art electronics that sense leakage current. If the cord is crushed, the electronics detect leakage current and power will be disconnected in a fraction of a second.

WARNING: Electrical Shock Hazard

Plug into a grounded 3 prong outlet

Do not remove ground prong

Do not use an adapter.

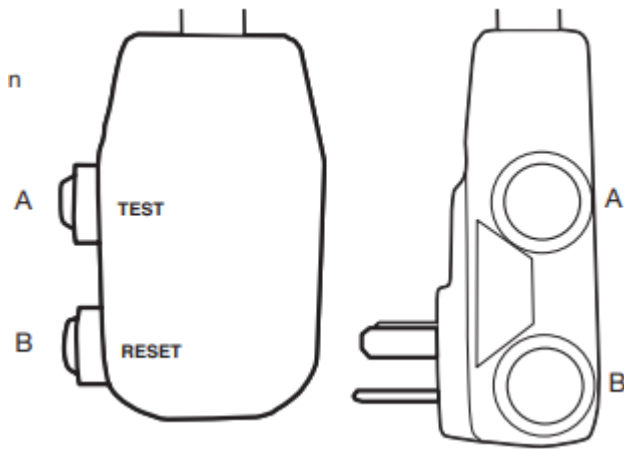
Do not use an extension cord.

Failure to follow these instructions can result in death, fire, or electrical shock.

To test your power supply cord:

1. Plug power supply cord into a grounded 3 prong outlet.

2. Press RESET (on some models, a green light will turn on).
3. Press TEST.
4. Press and release RESET. The power supply cord is ready for operation.



- A. Test button
- B. Reset button

NOTES:

- The Reset button must be pushed in for proper operation.
- The power supply cord must be replaced if it fails to trip when the test button is pressed or fails to reset.
- Do not use the power supply cord as an off/on switch. The power supply cord is designed as a protective device.
- A damaged power supply cord must be replaced with a new power supply cord obtained from the product manufacturer and must not be repaired.
- The power supply cord contains no user serviceable parts. Opening the tamper-resistant case voids all warranty and performance claims.

INSTALLATION INSTRUCTIONS

Prepare Air Conditioner for Installation

WARNING: Excessive Weight Hazard

Use two or more people to move and install air conditioner.

Failure to do so can result in back or other injury.

Remove Packaging Materials:

- Handle the air conditioner gently while unpacking the unit.
- Remove the carton top and lift the air conditioner from the base pad.

- Remove tape and glue residue from surfaces before turning on the air conditioner. Rub a small amount of liquid dish soap over the adhesive with your fingers. Wipe with a damp cloth and dry.
- Do not use sharp instruments, rubbing alcohol, flammable fluids, or abrasive cleaners to remove tape or glue. These products can damage the surface of your air conditioner.
- Be sure to check all packing materials for parts before discarding.
- Dispose of/recycle packaging materials in an appropriate way

Window Opening Requirements

This air conditioner may be used with standard double-hung windows and with vertical sliding windows.

Double-Hung Window Opening Measurements:

- 24⁵/₈" (63 cm) minimum to 47¹/₄" (1.2 m) maximum opening width
- 4³/₄" (12 cm) minimum opening height

Vertical Sliding Window Opening Measurements:

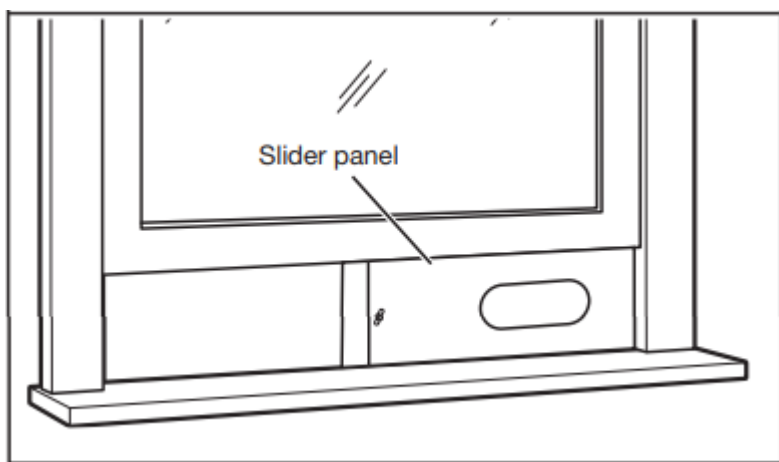
- 4³/₄" (12 cm) minimum opening width.
- 24⁵/₈" (63 cm) minimum to 47¹/₄" (1.2 m) maximum opening height

IMPORTANT: For window openings between 24⁵/₈" (63 cm) and 38" (99 cm) [single vent models] or 45³/₄" (115 cm) [dual vent models], it will be necessary to cut the slider panel extension to fit the window opening.

Install Window Slider Panel

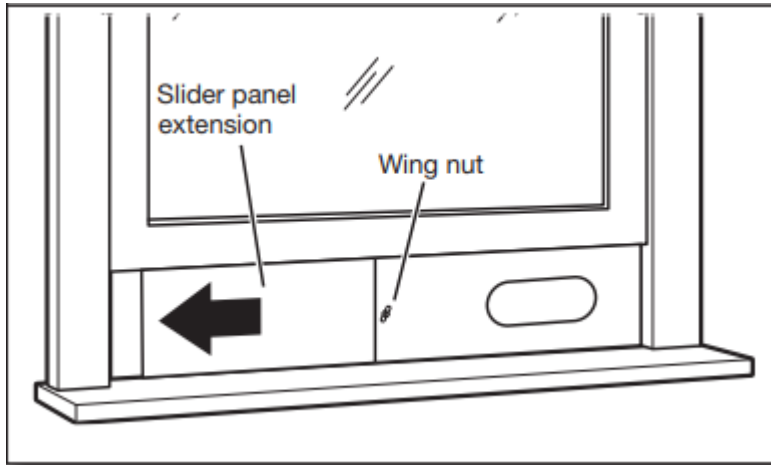
Single vent model shown. Installation for dual vent models is the same.

1. Position slider panel in window



Position the window slider panel in the window opening.

2. Extend and secure slider panel



Extend the slider panel extension until it fills the window opening. Be sure the vent opening in the slider panel is not covered.

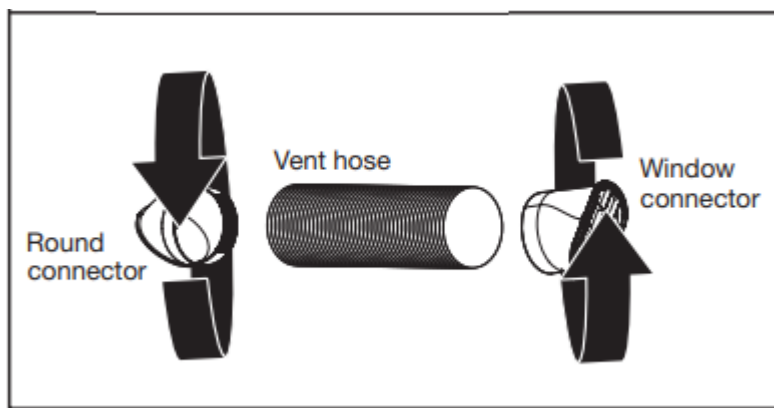
Tighten the wing nut securely.

If the window is too narrow to fit the slider panel without blocking the vent opening:

1. Loosen the wingnut and remove the slider panel extension from the slider panel.
2. Using a handsaw, cut the slider panel extension to fit the window opening. Leave as much panel as possible without covering the vent opening(s) in the slider panel.
3. Slide the slider panel extension back into the slider panel, being sure the head of the retainer screw fits into the T-slot on the slider panel extension.

Assemble Vent Hose(s)

1. Assemble vent hose(s)

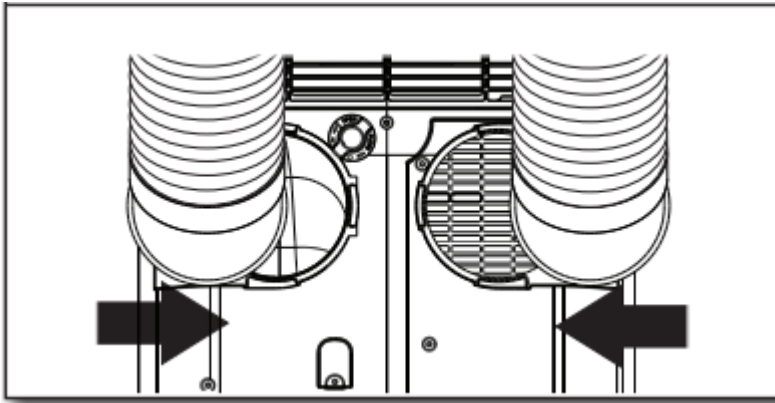


Extend both ends of the vent hose a little bit.

Thread a round connector clockwise onto one end of the vent hose. Thread a window connector clockwise onto the other end of the vent hose.

For dual vent models, repeat for second vent hose.

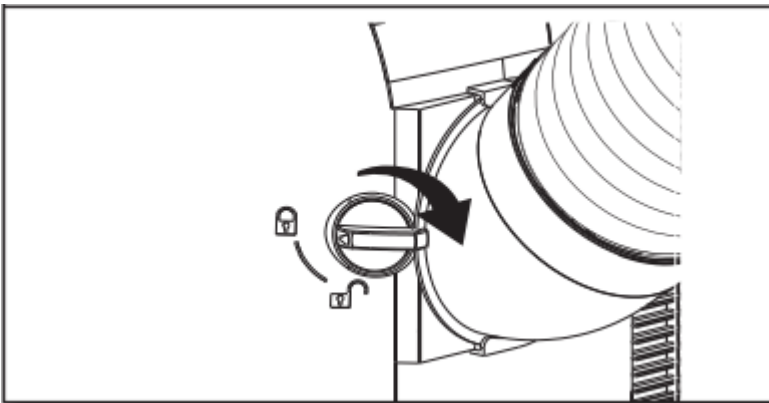
2. Attach vent hose(s) to air conditioner



Slide the the round end of the vent hoses into the hose ports on the air conditioner.

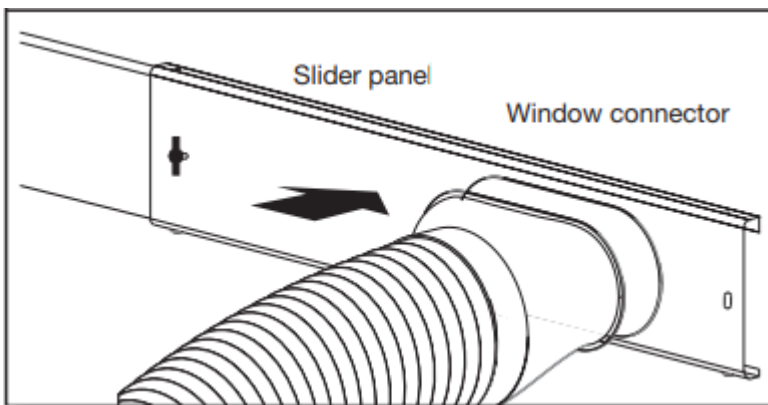
Dual vent model shown.

3. Lock vent hose(s) in place



Turn the locking knob to the LOCKED position to secure the vent hose in place. For dual vent models, repeat for other side.

4. Attach vent hose(s) to slider panel



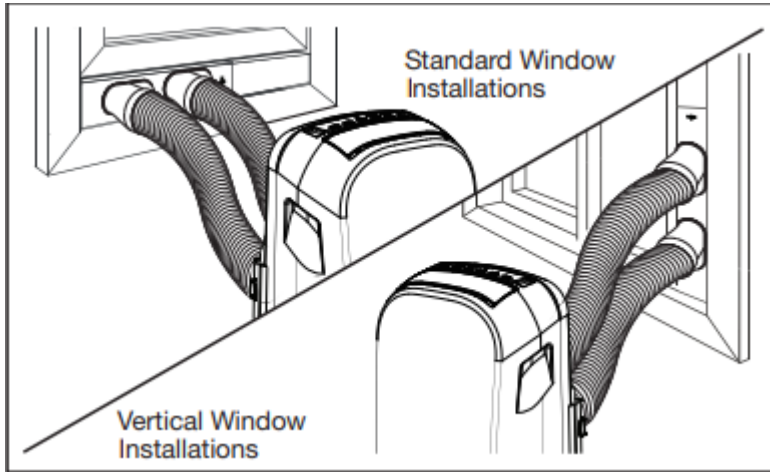
Position the air conditioner in the desired location.

Extend the vent hose enough to reach from the air conditioner to the window. Be sure there are no sharp bends or kinks in the hose.

Press the window connector end of the vent hose into the opening on the slider panel as shown. It will clip into place.

Single vent model shown. For dual vent models, see below for hose placement.

Dual vent hose placement

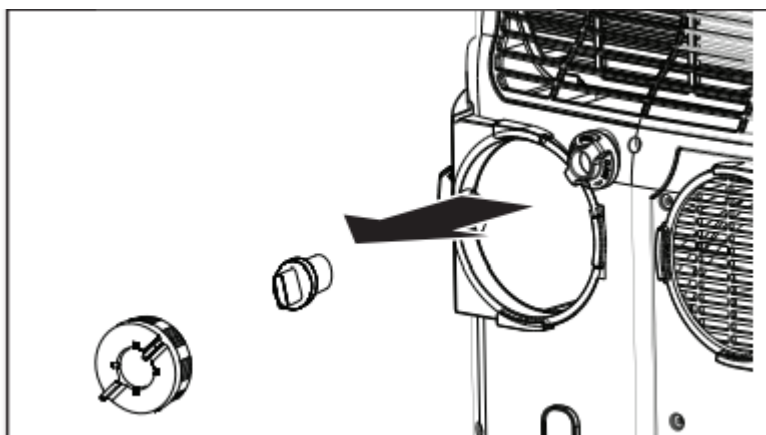


Drain Hose Connection (optional)

When using the air conditioner for dehumidification only, you may attach a hose (not included) for water drainage into a floor drain.

The drain fitting uses a standard garden hose connector. The drain hose must be below the drain port on the back of the air conditioner.

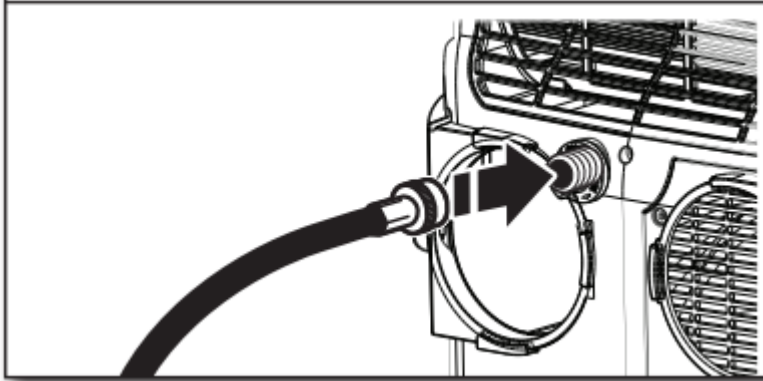
1. Remove drain fitting plug



Turn the drain port retainer plug counterclockwise to remove, then pull out the rubber drain plug.

For future use, store in a safe location.

2. Install drain hose



Thread the drain hose (not included) onto the drain fitting on the air conditioner. Insert the other end of the drain hose into a floor drain or other suitable drain.

Electrical Connection

WARNING: Electrical Shock Hazard

Plug into a grounded 3 prong outlet

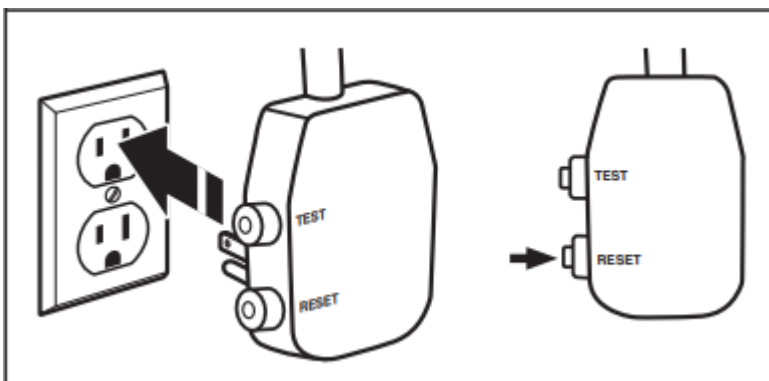
Do not remove ground prong

Do not use an adapter.

Do not use an extension cord.

Failure to follow these instructions can result in death, fire, or electrical shock.

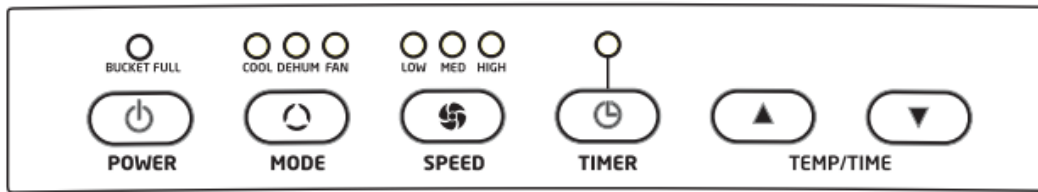
1. Plug into grounded 3-prong outlet



Plug into a grounded 3-prong outlet.

Press the RESET button on the power supply cord. See “Electrical Requirements.”

USING YOUR AIR CONDITIONER



Appearance may vary.

Turning the Air Conditioner ON or OFF

Press POWER to turn the air conditioner ON or OFF.



IMPORTANT:

- If you turn off the air conditioner, wait at least 3 minutes before turning it back on. This prevents the air conditioner from blowing a fuse or tripping a circuit breaker.
- Do not try to operate your air conditioner in the Cool mode when outside temperature is below 65°F (18°C). The inside evaporator coil will freeze up, and the air conditioner will not operate properly.

NOTE: In the event of a power failure, your air conditioner will operate at the previous settings when the power is restored.

Display

During normal operation display will show the current room temperature. When the TEMP/TIME ▼ and ▲ buttons are pressed, the unit will display the set temperature or delay time.

Selecting the Mode

The Mode button has three settings:

- Cool
- Dehumidify
- Fan

Press the MODE button until the indicator light above the desired setting is lit.



Cooling (COOL) Mode

In cooling mode, the air conditioner cools air from the room and vents hot air to the outdoors through the vent hose(s). Adjust fan speed and the temperature setting to fit your desired comfort level. Temperature-setting range is 61°F–90°F (16°C–32°C).

IMPORTANT: The vent hose(s) must exhaust to the outdoors when using Cool mode.

Dehumidify (DEHUM) Mode

Air is dehumidified as it passes through the unit, without being in full cooling mode. The fan will operate at medium speed.

Fan speed is not adjustable in dehumidify mode.

IMPORTANT: The vent hose(s) must exhaust to the outdoors when using Dehumidify mode.

Fan (FAN) Mode

In this mode, only the fan will run. Air is circulated through the room with no cooling.

NOTE: The air conditioner does not need to be vented to the outdoors in Fan mode.

Selecting the Fan Speed

The Fan Speed has 3 settings:

- LOW
- Medium (MED)
- HIGH

Press the SPEED button until the indicator light above the desired setting is lit.



Adjusting the Temperature

Press the TEMP/TIME ▲ and ▼ buttons to adjust the set temperature up or down in 1° increments. Temperature setting range is 61°F–90°F (16°C–32°C). After 10 seconds, the display will return to the current room temperature.

NOTE: Temperature may only be adjusted in cooling mode.

When in TIMER mode, pressing the TEMP/TIME ▲ and ▼ buttons will adjust the delay time for the air-conditioner to shut off or turn on.

Switching between Fahrenheit and Celsius:

Press both ▲ and ▼ buttons at the same time to toggle the displayed units between °F and °C.



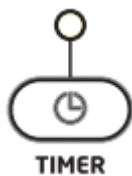
Using the Timer

Auto Shut-Off

You can set the air conditioner to shut off automatically after a set number of hours, up to 24 hours.

To set Auto Shut-Off:

1. With the air conditioner in fan mode, press TIMER.
2. Use the TEMP/TIME ▲ and ▼ buttons select number of hours, up to 24 hours.
3. After the set time, the air conditioner will turn off automatically.



Auto Start

You can set the air conditioner with the TIMER to start automatically after a set number of hours.

1. With the air conditioner OFF, press TIMER.

2. Use the TEMP/TIME ▲ and ▼ buttons to select the number of hours before the air conditioner should turn on, up to 24 hours. The TIMER indicator light will remain lit to let you know the timer is set.
3. After the set time, the air conditioner will start automatically in Cool mode with the last temperature and fan settings used.

Other Functions

BUCKET FULL Indicator

This air conditioner has an internal tank to hold accumulated water from the condenser. Normally, this water is evaporated and exhausted to the outside. However, in periods of high humidity, the internal tank may become full. If this happens, the “Bucket Full” indicator will be lit and the air conditioner will turn off until the internal tank is emptied. See “Care and Cleaning”.



Normal Operating Sounds

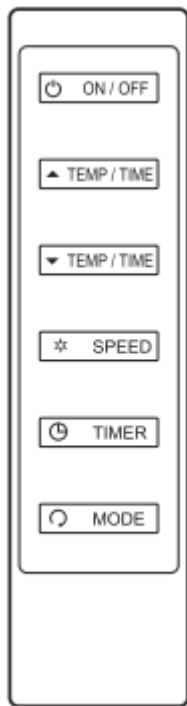
When your air conditioner is operating normally, you may hear sounds such as:

- Droplets of water hitting the condenser, causing a pinging or clicking sound. The water droplets help cool the condenser.
- Air movement from the fan.
- Clicks from the thermostat cycle.
- Vibrations or noise due to poor wall or window construction.
- A high-pitched hum or pulsating noise caused by the modern high-efficiency compressor cycling on and off.

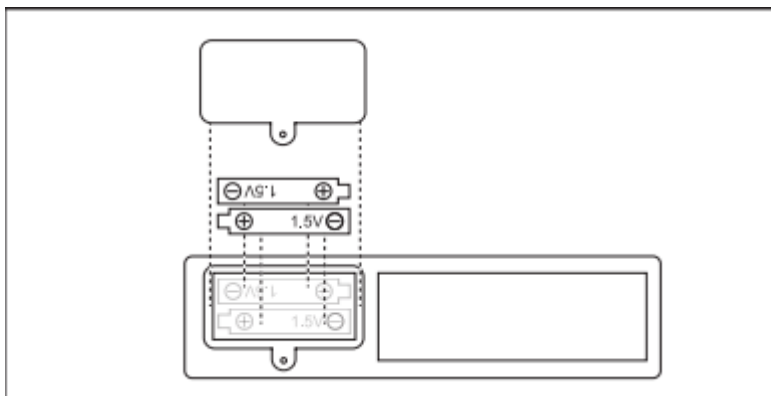
Using the Remote Control

The functions on the remote control operate the same way as the touch controls on the air conditioner control panel.

NOTE: Remote control may vary in appearance



Replacing the batteries in the remote



NOTE: The remote uses two AAA 1.5V batteries (included). Replace batteries after approximately 6 months of use.

To remove the batteries:

Remove the battery compartment cover and remove the batteries.

To reinstall the batteries:

Place the batteries into the battery compartment as shown, then reinstall the cover.

NOTE:

- Do not drop the remote control; it may damage the remote control.
- Remove the batteries if the remote control is not used for a month or longer.
- Dispose of used batteries responsibly.

CARE AND CLEANING

Your new air conditioner is designed to give you many years of dependable service. This section tells you how to clean and care for your air conditioner properly

Cleaning the Air Filter

The air filter is removable for easy cleaning. A clean filter helps remove dust, lint, and other particles from the air and is important for best cooling and operating efficiency. Check the filter every 2 weeks to see whether it needs cleaning.

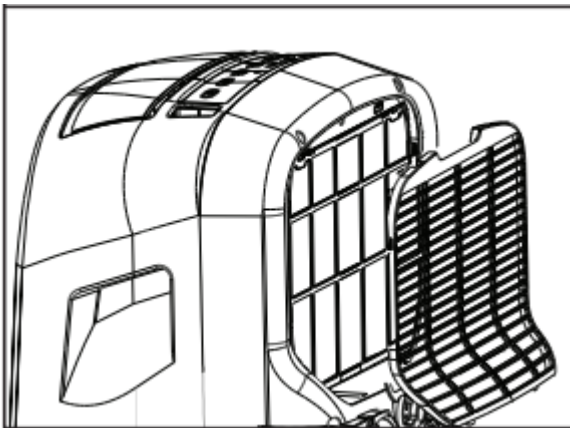
NOTE: For best performance, do not operate the air conditioner without the filter in place.

Use a vacuum cleaner to clean air filter. If the air filter is very dirty, wash it in warm water with a mild detergent.



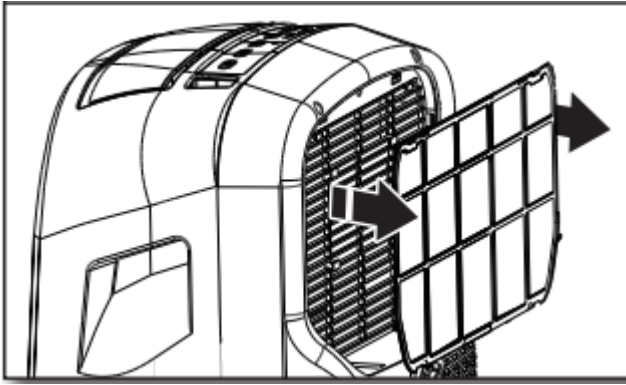
NOTE: Do not wash the air filter in the dishwasher or use any chemical cleaners; it may damage the filter. Air dry the air filter completely before replacing to ensure maximum efficiency

1. Removing the air intake cover



1. Turn off the air conditioner.
2. Remove the air intake cover by pulling the top of the cover away from the air conditioner, then lifting the bottom tabs out of the slots on the air conditioner.

2. Removing the air filter



Pull the air filter straight out of the air conditioner.

Reinstalling the air filter:

1. Reinstall the air filter in the air conditioner.
2. Insert the tabs on the bottom of the air intake cover into the slots on the air conditioner, then press the top into place until it clicks to lock.

Cleaning the Air Conditioner Cabinet

1. Turn off the air conditioner.
2. Wipe the air conditioner cabinet with a soft, damp cloth.
3. Wipe dry with soft cloth.

Storing the Air Conditioner

WARNING: Excessive Weight Hazard

Use two or more people to move and install air conditioner.

Failure to do so can result in back or other injury.

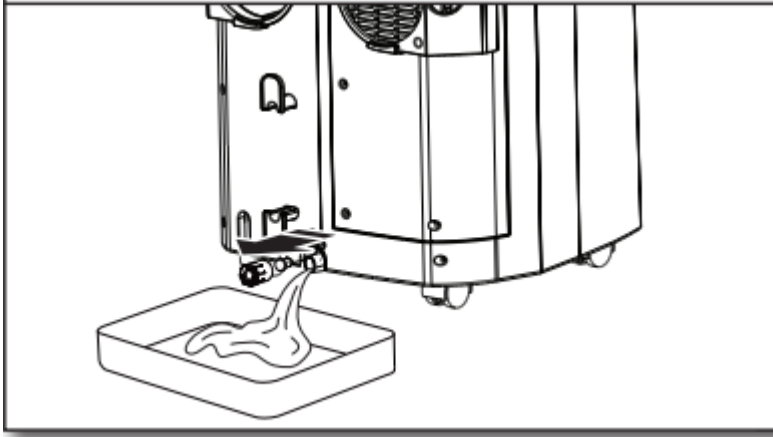
If the air conditioner will not be used for an extended period of time, prepare it for storage with the following steps.

1. Run the air conditioner in Fan mode for a few hours to dry any moisture from the coils.
2. Turn off the air conditioner and unplug it. Remove the batteries from the remote.
3. Remove the drain plug from the internal tank to remove and drain any remaining water from the tank. See “Draining the Internal Tank”.
4. Remove, clean, and reinstall the air filter.
5. Remove the air hoses and window slider panel and store them in a safe place.

Draining the Internal Tank

If the air conditioner turns off and the “Bucket Full” indicator is lit, it is necessary to drain the internal tank before using the air conditioner again.

1. Draining the internal tank



1. Turn off and unplug the air conditioner.
2. Place a pan or small bucket under the drain.
3. Remove the drain plug retainer by turning it counterclockwise.
4. Pull out the rubber drain plug.
5. Allow water to drain into pan or bucket.
6. Reinstall the rubber drain plug by pressing firmly into place.
7. Thread drain plug retainer clockwise onto drain, then tighten hand tight.

TROUBLESHOOTING

Before calling for service, try the suggestions below to see whether you can solve your problem without outside help.

Air conditioner will not operate

WARNING: Electrical Shock Hazard

Plug into a grounded 3 prong outlet

Do not remove ground prong

Do not use an adapter.

Do not use an extension cord.

Failure to follow these instructions can result in death, fire, or electrical shock.

- The power supply cord is unplugged. Plug into a grounded 3-prong outlet. See “Electrical Requirements.”
- The power supply cord has tripped (Reset button has popped out). Press and release RESET to resume operation.

- A household fuse has blown, or circuit breaker has tripped. Replace the fuse or reset the circuit breaker. If the problem continues, call an electrician. See “Electrical Requirements.”
- The Power button has not been pressed. Press POWER.
- The local power has failed. Wait for power to be restored.
- The internal water tank is full. If the “Bucket Full” indicator is lit, empty the internal tank. See “Draining the Internal Tank”.

Air conditioner blows fuses or trips circuit breakers

- Too many appliances are being used on the same circuit. Unplug or relocate appliances that share the same circuit.
- Time-delay fuse or circuit breaker of the wrong capacity is being used. Replace with a time-delay fuse or circuit breaker of the correct capacity. See “Electrical Requirements.”
- You are trying to restart the air conditioner too soon after turning off the air conditioner. Wait at least 3 minutes after turning off the air conditioner before trying to restart the air conditioner

Air conditioner power supply cord trips (Reset button pops out)

- Disturbances in your electrical current can trip (Reset button will pop out) the power supply cord. Press and release RESET to resume operation.
- Electrical overload, overheating, a pinched cord, or aging can trip the power supply cord (Reset button will pop out). After correcting the problem, press and release RESET to resume operation.

NOTE: A damaged power supply cord must be replaced with a new power supply cord obtained from the product manufacturer and must not be repaired.

Air conditioner seems to run too much

- The current air conditioner replaced an older model. The use of more efficient components may cause the air conditioner to run longer than an older model, but the total energy consumption will be less. Newer air conditioners do not emit the “blast” of cold air you may be accustomed to from older air conditioners, but this is not an indication of lesser cooling capacity or efficiency. Refer to the efficiency rating (EER) and capacity rating (in BTU/h) marked on the air conditioner.
- The air conditioner is in a heavily occupied room, or heatproducing appliances are in use in the room. Use exhaust vent fans while cooking or bathing and try not to use heatproducing appliances during the hottest part of the day. A higher-capacity air conditioner may be required, depending on the size of the room being cooled.

Air conditioner cycles on and off too much or does not cool room in cooling mode

- The air conditioner is not properly sized for your room. Check the cooling capabilities of your room air conditioner. Room air conditioners are not designed to cool multiple rooms.
- The filter is dirty or obstructed by debris. Clean the filter.
- There is excessive heat or moisture (open container cooking, showers, etc.) in the room. Use a fan to exhaust heat or moisture from the room. Try not to use heat-producing appliances during the hottest part of the day.
- The air intakes are blocked. Install the air conditioner in a location where the louvers are free from curtains, blinds, furniture, etc.
- The temperature of the room you are trying to cool is extremely hot. Allow extra time for the air conditioner to cool off a very hot room.
- Windows or doors to the outside are open. Close all windows and doors.
- The temperature setting is not set to a cool enough setting. Adjust the temperature to a cooler setting by pressing the minus button to reduce the temperature. Set the Fan Speed control to the highest setting.

Error codes in display

- If E1 or or E2 appears in the display, call for service.

SPECIFICATIONS

Model	WHAP121AW	WHAP141AW	WHAP122AW	WHAP142AW
Voltage/Frequency	115 VAC/60Hz	115 VAC/60Hz	115 VAC/60Hz	115 VAC/60Hz
Current/Amperage	9.5 A	11.4 A	9.5 A	11.4 A
Cooling Capacity (BTUs/hour)	12,000	14,000	12,000	14,000
Vent Type	Single	Single	Dual	Dual
Coolant Type	R410A	R410A	R410A	R410A
Timer	24-hour	24-hour	24-hour	24-hour
Dimensions W x D x H	17.9" x 15.6" x 39.3" 455 x 395 x 745 mm	17.9" x 15.6" x 39.3" 455 x 395 x 745 mm	17.9" x 15.6" x 39.3" 455 x 395 x 745 mm	17.9" x 15.6" x 39.3" 455 x 395 x 745 mm
Weight	71.4 lbs. 32.4 kg	73.2 lbs. 33.2 kg	72.8 lbs. 33.0 kg	74.5 lbs. 33.8 kg

Warning

This content is compiled from multiple sources and is provided for reference purposes only. It may not be complete or fully applicable to all situations. If you are unable to resolve your issue, please contact the product manufacturer or an authorized service provider for official support.

Document generated by [ManualsFile](#)