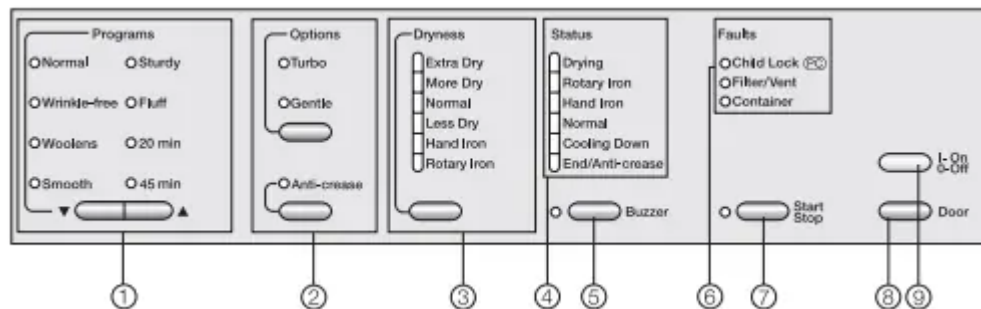


## Control panel



### 1. ▼▲ "Programs" buttons

For selecting a drying program.

### 2. "Options" buttons

For selecting a drying option.

### 3. "Dryness" button

For selecting the dryness level of the finished laundry.

### 4. "Status" display

Shows the current cycle of the drying program.

### 5. "Buzzer" button

When selected, a buzzer will sound at the end of the program.

### 6. "FAULT" indicators

An illuminated indicator will alert you if the child lock has been activated or if a fault occurred.

### 7. "Start/Stop" button

Starts and stops a program.

Interrupts a program when pressed.

Flashes during program selection and lights once the program starts.

### 8. "Door" button

Opens the door when the program has finished. If the dryer is on, the drum interior will light when the door is opened. If the door is left open, the light will go off after a few minutes to save energy.

### 9. "On/Off" button

Turns power to the machine on and off.

## Before loading the dryer


The dryer must be correctly installed and connected before the first use. Please refer to the "Installation Instructions".

- Before using for the first time, clean the drum with a cloth.

Before drying, check fabric care labels for special drying instructions.

 Dry with normal temperature

 Dry with low temperature (select "Gentle" option)

 Do not dry in a tumble dryer

– Do not overload the drum! Overloading the dryer will result in poor drying results and wrinkling.

– **Knitted fabrics and flannel** tend to shrink when washed and dried for the first time. Do not over dry these fabrics.

– To prevent discoloration, do not dry **new, dark-colored fabrics** with light-colored items.

– Close zippers and tie up fabric belts and apron ties to prevent tangles and damage to clothing.

– Do not dry items that may melt or ignite in the dryer, such as plastics, rubber or sneakers.

## Program recommendations

### Normal

– Cottons and Permanent Press blends

### Wrinkle-free

– Permanent Press: select the **Hand Iron** dryness level and reduce the load size for best drying results

– Delicate fabrics, such as polyester: select the **Gentle** option to reduce creasing

– Pure linen and down filled items

### Woolens

– Wool and wool blends

### Smooth

– Linen

– Permanent Press (cottons, blends and synthetics)

### Sturdy

– Durable Cottons and Permanent Press

## Fluff / 20 min / 45 min

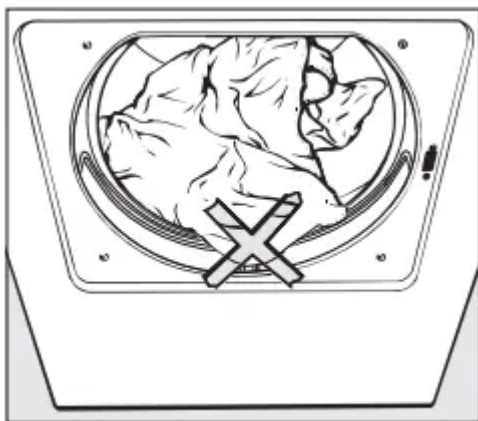
– All fabric types

# Using the dryer

## 1. Turn on the dryer and load the laundry

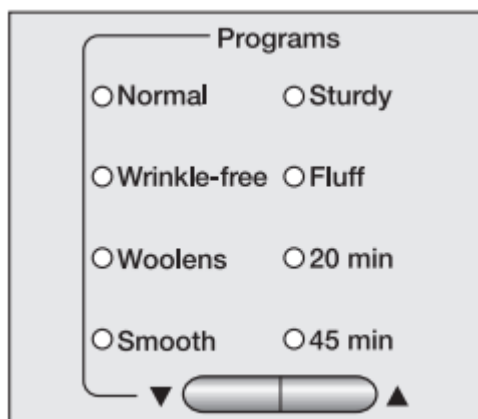
- Press the "On/Off" button to turn on the dryer.
- Press the "Door" button to open the door.
- Load the laundry loosely into the drum.
- Make sure the lint filters are in place.
- Close the door with a firm swing - do not push it shut.

For best results use liquid fabric softener when washing laundry. Fabric softener sheet may clog the filters and cause the dryer to overheat.



To prevent fabric damage, check that laundry will not be caught in the closed door.

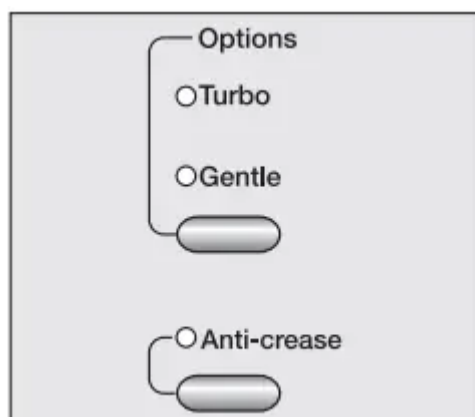
## 2. Select a program



- Press the ▼ or ▲ button until the desired program indicator lights.

Program	Fabric	Note
<b>Normal Available drying options: Turbo, Gentle, Anti-crease</b>		
Extra Dry	Multi-layer fabrics, mixed loads of sturdy cottons, e.g. jeans, towels.	The "Extra dry" program should not be selected for jersey materials. <b>Items may shrink.</b>
More Dry	Uniform loads of cotton, e.g. sheets, underwear, socks.	-
Normal	Knitted cotton fabrics that may shrink, e.g. jersey material or lightweight cottons.	If items are still damp, dry again using "More Dry".
Less Dry	Cotton or linen fabrics to be left damp for ironing.	-
Hand Iron		If fabrics are too damp for ironing, dry again using "Less Dry".
Rotary Iron	Cotton or linen fabrics which will be ironed with a rotary iron.	To prevent moisture loss, roll up the laundry until ironing.
<b>Wrinkle-free Available drying options: Turbo, Gentle, Anti-crease</b>		
More Dry	Synthetic permanent press items, e.g. pants and shirts.	-
Normal	Permanent press and blended fabrics, e.g. cotton/synthetic.	
Less Dry	Permanent press and blended fabrics requiring an ironed finish.	Reduce load size for fabrics that wrinkle easily.
<b>Special Programs Available drying options: Anti-crease only available in Fluff, Sturdy</b>		
Woolens	Delicate items which allow machine drying.	Remove items immediately after the end of the program while still slightly damp. Allow items to air dry.
Smooth	Program for reducing creasing of cotton, linen or permanent press fabrics made of cotton, blends or synthetics.	-
Sturdy	For mixed loads of cotton and permanent press items.	-
Fluff	Individual items to be freshened and fluffed with cool air.	Reduce load size.
<b>TIMED CYCLES Available drying options: Gentle, Anti-crease</b>		
20 min	Individual items or very small loads, e.g. beach towels, swimsuits.	-
45 min		

### 3. Select a drying option (if needed)



- A drying option can be selected or deselected with each press of the button

## OPTIONS

### Turbo

Fast drying for sturdy fabrics with increased temperature and a reduced program length.

### Gentle

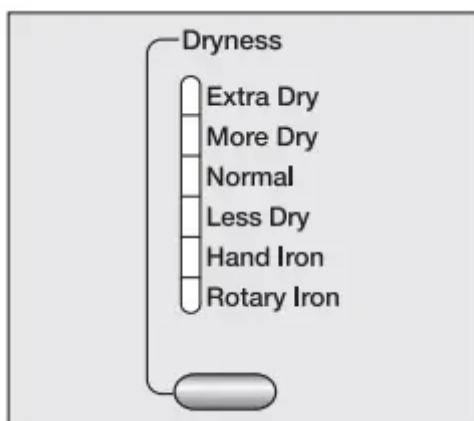
For drying delicate fabrics slowly at a lower temperature.

### Anti-crease

Prevents wrinkles if laundry is not removed immediately after the end of a program. The drum periodically rotates for about 1 hour.

## 4. Select the dryness level

The dryness level can be selected in the "Normal" and "Wrinkle-free" programs. (The dryness level of the other programs cannot be adjusted.)



- Press the selection button until the desired indicator illuminates.

In the "Wrinkle-free" program, only "More Dry", "Normal" and "Less Dry" can be selected.

## 5. Select the buzzer (if desired)

- Press the "Buzzer" button to have a tone beep at the end of the program.

Indicator light:

on = buzzer selected

off = buzzer not selected

## To adjust the buzzer volume:

– turn the dryer on

- close the door
- select a program
- if the indicator is lit, press the "Buzzer" button so the **indicator light goes out**.
  - Press and hold the "Buzzer" button until its indicator is lit and you hear the desired volume and tone.

## 6. Start the program



- Press the "Start/Stop" button.

Once the program starts, the current cycle of the program will be indicated in the "STATUS" display

## 7. At the end of a program

The "End/Anti-crease" indicator will light at the end of a program and the buzzer will sound if it was selected.

If a fault occurred, a "FAULT" indicator will light. See "Frequently asked questions" for details.



- Press the "Door" button.
- Open the door.
- Remove the laundry.
- Check that the drum is empty.
- Clean the lint filter after each use (see "Dryer care").
- Close the door.



- Press the "On/Off" button to turn off the dryer.
- Empty the condensed water container weekly (if not connected to a drain).

## Canceling or changing a program


- Press and release the "Start/Stop" button to stop the drying program.

To continue drying:

- Select the new program by pressing the ▼ or ▲ button.
- Select any desired options.
- Select a dryness level (available in the "Normal" and "Wrinkle-free" programs).
- Press and release the "Start/Stop" button to start the new program.

## Adding or removing laundry during a program

- Turn off the dryer using the "On/Off" button.
- Press the "Door" button.
- Open the door.

 CAUTION - Do not touch the rear of the drum while adding or removing items! There is a danger of burns due to high temperatures in the drum.

- Add or remove items.
- Close the door.
- Turn the dryer back on with the "On/Off" button.

## Child lock

### Child lock

When activated, the child lock prevents the dryer from being operated by locking the control panel functions.

The dryer can be turned on but not started. The "Child lock" indicator will flash.

The door can be opened.

### To activate the child lock

1. Make sure the dryer is turned off and the door is closed.
2. Press and hold the "Anti-crease" and "DRYNESS" buttons at the same time, hold until step 5.
3. Turn on the dryer with the "On/Off" button.
4. Press the "OPTIONS" button 3 times.
5. Release the "Anti-crease" and "DRYNESS" buttons.

The "Child lock" indicator will flash and the dryer is now locked.

6. Turn off the dryer using the "On/Off" button.

### To deactivate the child lock

Repeat steps 1. to 5.

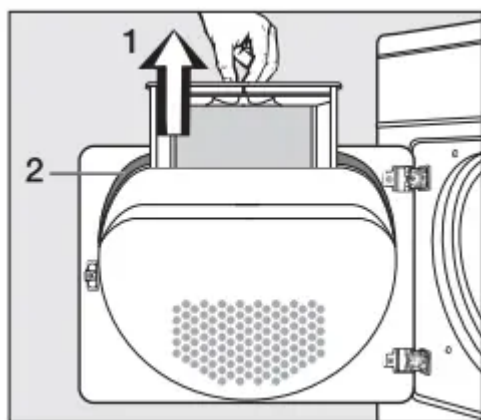
The "Child lock" indicator will go out.

The control panel is now unlocked.

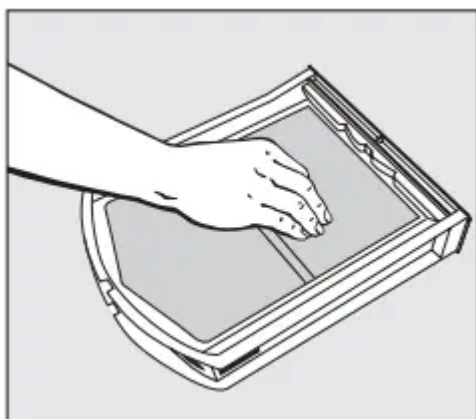
## Dryer care

### Cleaning the lint filter

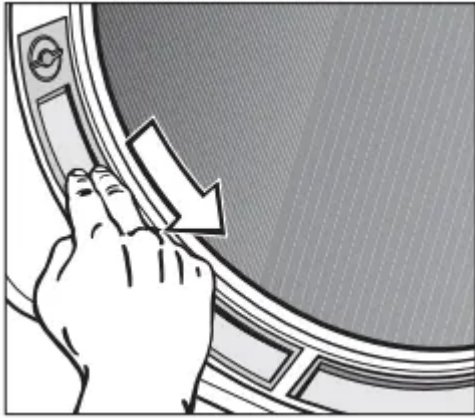
The lint filter must be cleaned after every program.



- Open the door and remove the lint filter, 1, by gently lifting it upwards.

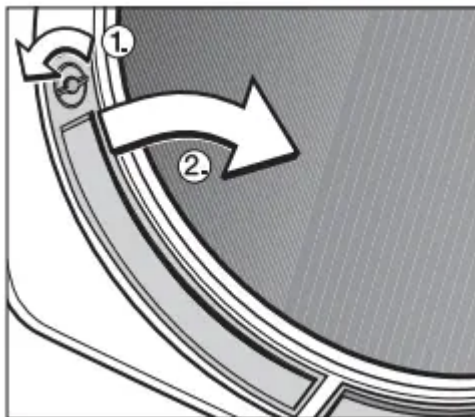


- Wipe the lint off the filter with your hand (do not use any sharp objects!)



- Remove the lint from the door frame lint filter with your fingers.
- Any lint remaining in the hollow casing of the door can be removed through the gap at the bottom with a dust brush or vacuum.
- Clean the gasket, **2**, with a damp cloth.
- Return the lint filter and close the door.

The lint filters can be rinsed with hot water if necessary




- Take the door lint filters out by turning the knob at the filter top.
- Rinse all lint filters with hot water and dry thoroughly.

The filters must be dry before being returned to the dryer. Wet filters might impair the dryer operation.

- Return the lint filters. Lock the door frame filters.

## Cleaning the exterior and the control panel

 To reduce the risk of electric shock, disconnect the dryer from the power supply by shutting off the power main, tripping the circuit breaker or unplugging the power cord before performing maintenance.

Never use abrasive cleaners, scouring pads, steel wool or caustic (oven) cleaners on the dryer. They will damage the surface.

- The exterior and the control panel can be cleaned with warm water and liquid dish soap applied with a soft sponge.
- Wipe dry.

### **Cleaning the drum**

- The stainless steel surfaces of the drum can be cleaned using a non-abrasive stainless steel cleaner.
- Wipe clean with a soft cloth.

### **Emptying the condensed water container**

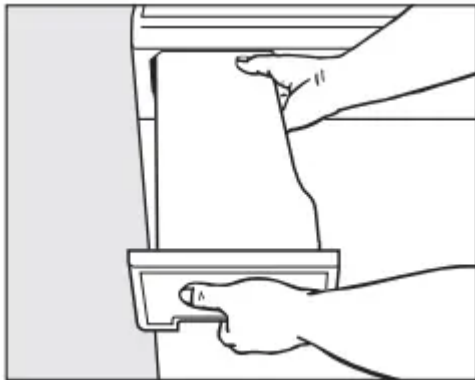
Depending on the installation, the condensed water will either be pumped to a drain or collected in the condensed water container, located in the upper left corner of the machine.

The container holds approximately 1 gallon of water.

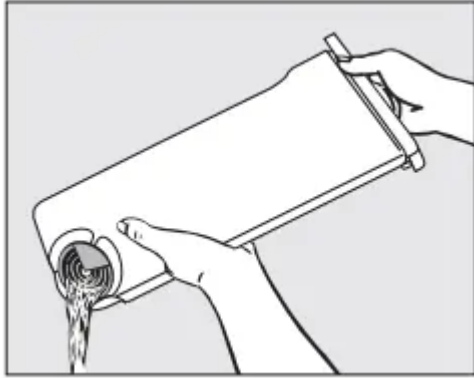
The container should be emptied weekly.

Should the container be full when the tumble dryer is started, or if it becomes full during normal operation:

- The "Container" indicator will light.
- The buzzer will sound.




- Pull out the container with both hands.



- Empty the container.
- When the container is empty, push it back into its opening until it clicks into place.
- Restart the drying program if needed.

Do not drink the condensed water!

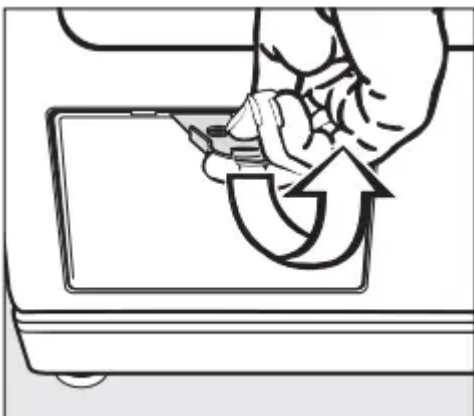
### **Cleaning the condenser**

 To reduce the risk of electric shock, disconnect the dryer from the power supply by shutting off the power main, tripping the circuit breaker or unplugging the power cord before performing maintenance.

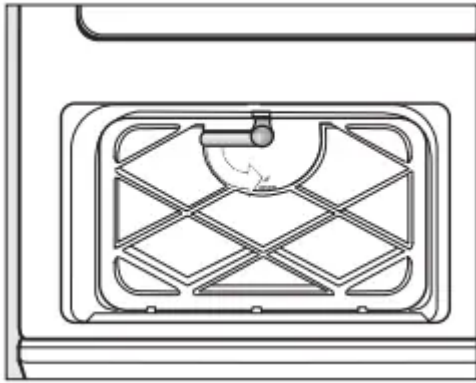
- Clean the condenser every 6 months and when the "Filter/Vent" indicator lights. Clean approximately every 100 uses when the dryer is used often.

### **Removing the condenser**

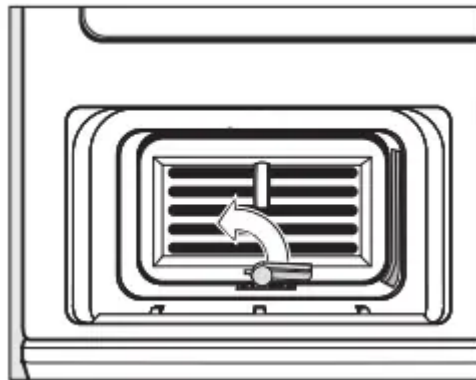
The access panel to the condenser is located on the lower left corner of the dryer



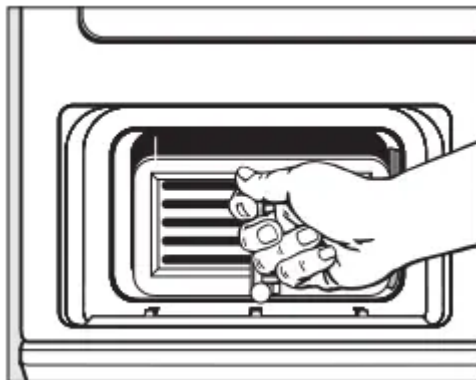
- Open the access panel with the supplied yellow tool.
- Remove the panel up and out of the condenser access area.



- Turn the condenser door lock down and remove the door up and out.



- Turn the condenser lock up.



- Pull out the condenser.

## Rinsing the condenser



- Rinse the condenser along the left side with warm water.



- Rinse the condenser from the front with warm water.
- Check the condenser for visible soiling. Rinse the condenser until clean.
- Place the condenser lengthwise on a towel to air dry.

## Returning the Condenser

- Put the condenser back in place in the reverse order.

Check that the gasket around the front of the condenser is flush and not crimped.

- To prevent leaks, make certain the condenser is pushed in all the way and locked in place.
- Restore power.

## Quick Guide

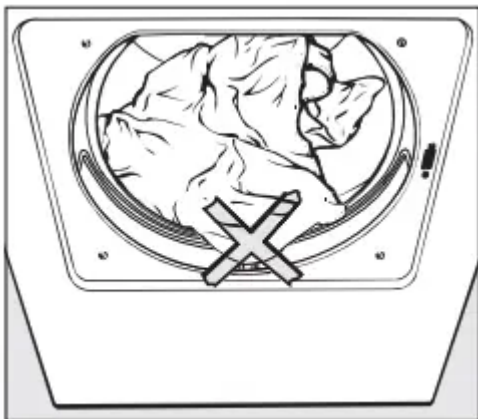
### 1. Turn on the dryer and load the laundry



- Press the "On/Off" button to turn on the dryer.



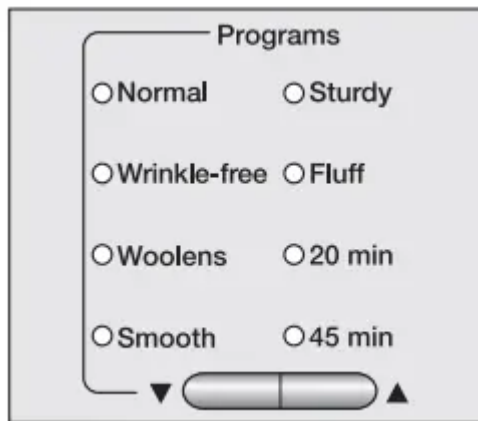
- Press the "Door" button to open the door.
- Load the laundry into the drum. Make sure that there is enough space in the drum for clothes to tumble freely



To prevent fabric damage, check that laundry will not be caught in the closed door.

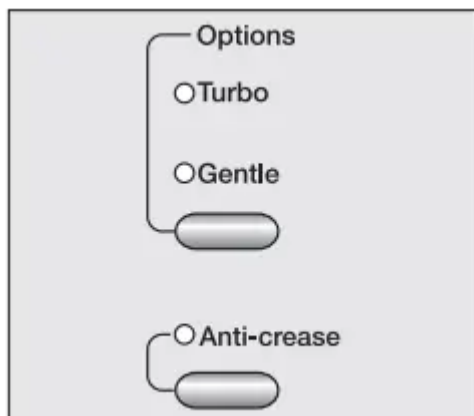
- Close the door with a firm swing - do not push it shut.

### 2. Select a program



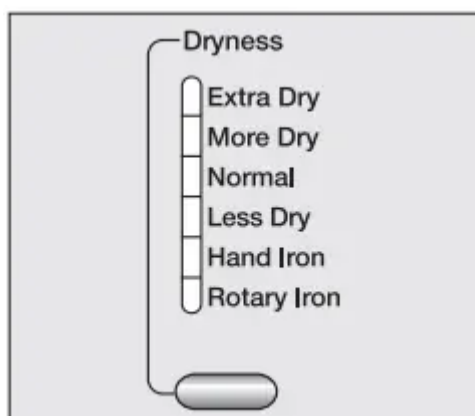
- Press the ▼ or ▲ button until the desired program indicator lights.

### 3. Select a drying option (if needed)



- A drying option can be selected or deselected with each press of the button.

### 4. Select the dryness level



- Press the selection button until the desired indicator illuminates.

### 5. Select the buzzer (if desired)

### 6. Start the program



- Press the "Start/Stop" button.

## 7. At the end of a program

The "Anti-crease / End" indicator will light.


- Press "Door" and remove the laundry.
- Clean the lint filter.
- Press the "On/Off" button to turn off the dryer.

Program	When to use	Note
<b>Normal</b> Available drying options: Turbo, Gentle, Anti-crease		
<b>Extra Dry</b>	For laundry to be folded and shelved immediately, e.g. jeans, towels.	The 'Extra Dry' program should not be selected for jersey materials. <b>Items may shrink.</b>
<b>More Dry</b>	For uniform loads, e.g. sheets, underwear, socks.	-
<b>Normal</b>	For knitted items that may shrink, e.g. jersey material or lightweight cottons.	If items are still damp, dry again using 'More Dry'.
<b>Less Dry</b>	For items to be left damp for ironing.	-
<b>Hand Iron</b>		If fabrics are too damp, dry again using 'Less Dry'.
<b>Rotary Iron</b>	For items to be ironed with a rotary iron.	To prevent moisture loss, roll up the laundry until ready to iron.
<b>Wrinkle-free</b> Available drying options: Turbo, Gentle, Anti-crease		
<b>More Dry</b>	For items that do not require ironing, e.g. pants and shirts.	-
<b>Normal</b>	For items to be hung after drying.	
<b>Less Dry</b>	For items which require ironing.	Reduce load size for fabrics that wrinkle easily.

<b>Special Programs</b> Available drying options: Anti-crease only available in Fluff, Sturdy		
<b>Woolens</b>	Delicate items which allow machine drying.	Take items out immediately after the end of the program while still slightly damp. Allow items to air dry.
<b>Smooth</b>	Program for reducing creasing in delicate items.	-
<b>Sturdy</b>	For mixed loads of durable items.	-
<b>Fluff</b>	Individual items to be freshened and fluffed with cool air.	Reduce load size.
<b>TIMED CYCLES</b> Available drying options: Gentle, Anti-crease		
<b>20 min</b>	Individual items or very small loads, e.g. beach towels, swimsuits.	-
<b>45 min</b>		

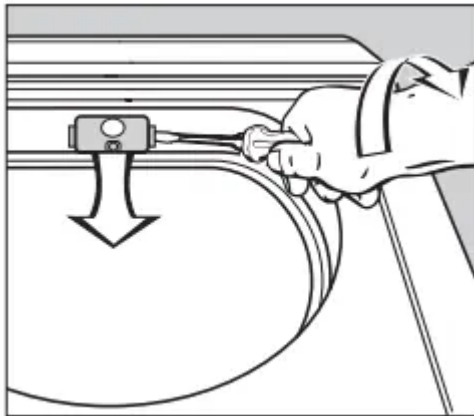
## Dryer Care

### Changing the light bulb

 To reduce the risk of electric shock, disconnect the dryer from the power supply by shutting off the power main, tripping the circuit breaker or unplugging the power cord before performing maintenance.

- Open the door.


The bulb cover is located along the upper rim of the drum opening.



- Slide a screwdriver with a wide head underneath the side edge of the bulb cover and twist (see illustration).
- Flip down the bulb cover.
- Replace the light bulb with a temperature proof bulb, available from Miele.

The light bulb must not exceed the maximum wattage listed on the data plate.


- Flip up the light bulb cover and press it firmly until it clicks into place.

 Make sure the bulb cover is securely closed to prevent a short circuit or penetrating moisture.

- Restore power.

## Washer / Dryer Stack

The tumble dryer can also be placed on top of a Miele washing machine for a stacked installation. An appropriate stacking kit is required. The stacking kit is available from your Miele dealer or the Miele Technical Service Department.

 Installation of the stacking kit must be performed by a Miele authorized technician.

### Height of a stacked installation

5' 6 3/8" (168.6 cm)

(Stacking kit with a pull out shelf)

## Electrical connection

### GROUNDING INSTRUCTIONS

This appliance must be grounded. In the event of malfunction or breakdown, grounding will reduce the risk of electric shock by providing a path of least resistance for electric current. This appliance is equipped with a cord having an equipment grounding conductor and a grounding plug. The plug must be plugged into an appropriate outlet that is properly installed and grounded in accordance with all local codes and ordinances.

**WARNING** – Improper connection of the equipment grounding conductor can result in a risk of electric shock. Check with a qualified electrician or service representative or personnel if you are in doubt as to whether the appliance is properly grounded.

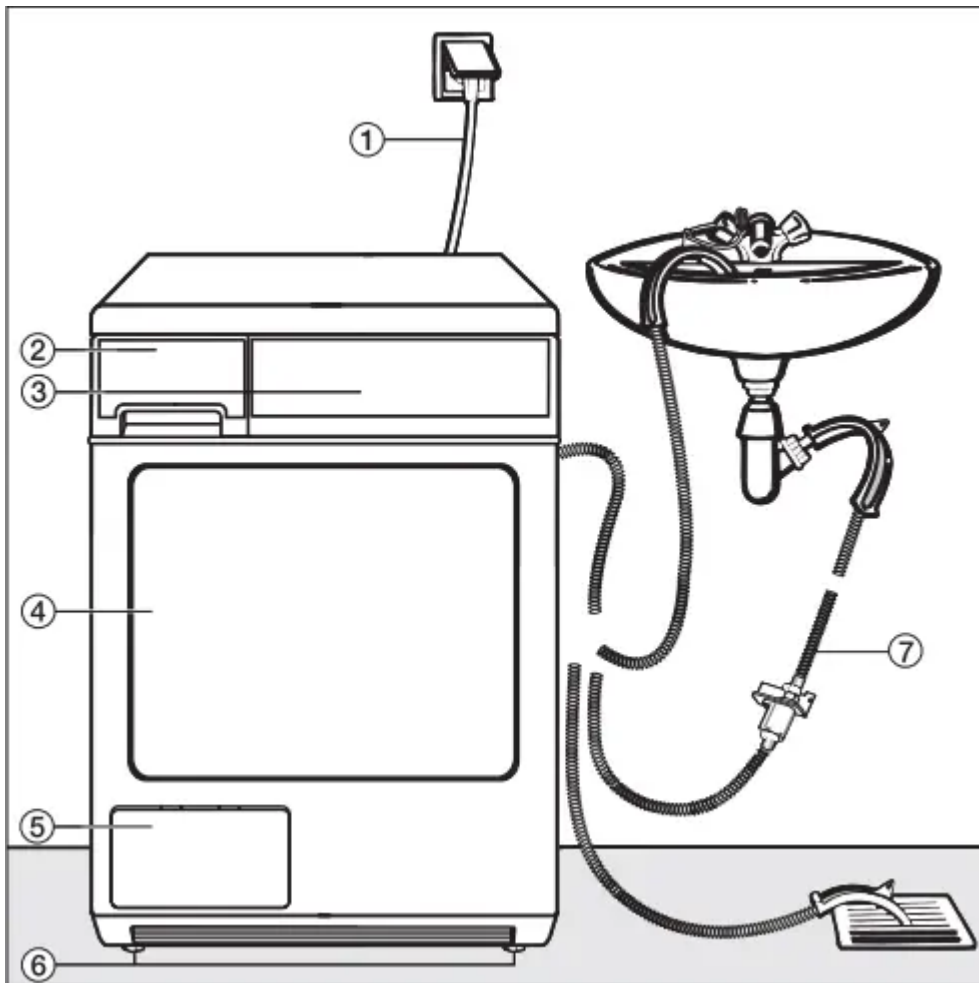
Do not modify the plug provided with the appliance! If it will not fit the outlet, have a proper outlet installed by a qualified electrician.

The dryer comes with a 5 ft long, 12/4 AWG cord and a NEMA 14-30 P plug.

It should be connected to a 120/208-240 V, 30 A, 60 Hz AC power supply. A 3 pole-4 wire grounding power outlet (NEMA type 14-30 R) is necessary.

## Installation

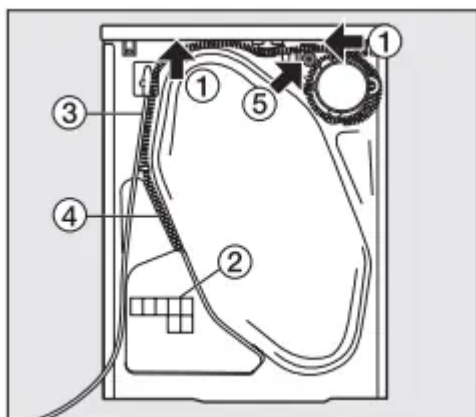
### Front view



1. Power cord with plug
2. Condensed water container
3. Control panel
4. Door
5. Access panel to condenser
6. Four height adjustable feet
7. Optional drain hose:

An alternative to using the condensed water container is to drain condensed water into a sink, standpipe or gully.

## Rear view



1. Handle for transportation (arrows)
2. Air intake opening to cool the condenser
3. Power cord with plug
4. Condensate drain hose
5. Accessories for connection to a sink standpipe

## Installation site

- ⚠ Do not install the dryer in an area where it can be blocked, e.g. behind a door.
- ⚠ This appliance is not intended to be mounted in a wall or other vertical surface of a building or cabinet. The unit is allowed for built-in application.

## Transporting the dryer to the installation site

The rear excess end of the lid has a handle box for transport.

- Use the front dryer feet and the rear excess end to transport the dryer from the packaging base to the installation site.

## Installation beneath a counter

- ⚠ When the machine lid needs to be removed to reduce the height of the machine, a **built-under spacer kit\*** is necessary.

It must be installed by a Miele Service Technician.

The cover plate of the built-under kit replaces the appliance lid and ensures electrical safety.

An installation manual is supplied with the built-under spacer kit.

The electrical connection should be near the dryer and accessible at all times.

Extended machine feet\* are recommended at a built-in height of more than 33 1/16" (840 mm).

- Set the extended machine feet on a height of 1 9/16" (40 mm). Remove the original machine feet and replace them with the extended ones.

One or two filler frames\* are recommended at a niche height of 34 1/4" / 34 13/16" to 36" / 36 5/8" (870/885 - 915/930 mm).

\* (optional accessory)

An existing continuous toe kick must be interrupted at the dryer location!

### **Reinstallation of the machine lid**

When reinstalling the appliance lid, check the firm fit of the cover at the rear bracket for a safe transport of the dryer.

### **Installation tips**

An airflow gap of 3/8" (10 mm) must be provided between the machine and the floor. This airflow gap must not be blocked by a toe-kick or thick piled carpets.

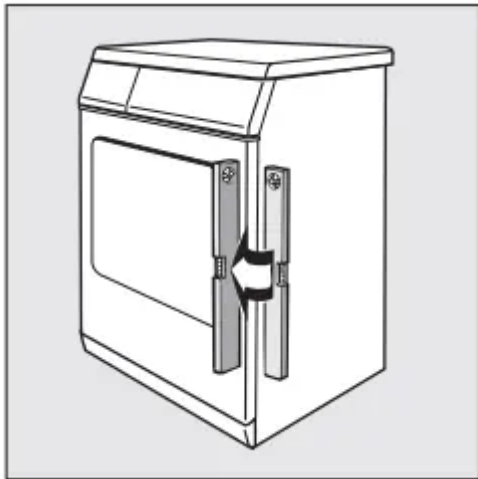
Sufficient venting of the installation site, e.g. by opening a window or door, is essential for the dryer's operation. Otherwise drying times and energy usage may increase.

Do not install the dryer next to a refrigerator. The warm air which emanates from the dryer can affect the thermostat of the refrigerator, causing it to run continuously.

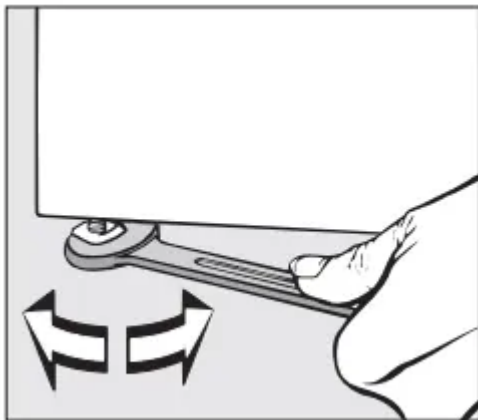
### **Room ventilation**

The room air, which is taken in when the dryer is in operation, is blown out via the exhaust grill on the bottom front. This dry air heats the air in the room. It is important, particularly if the room is small, to ensure adequate ventilation. Opening a door or window, for example, will improve supply of cooler air. Otherwise drying times and energy usage may increase.

## Level the dryer



- The dryer must be level to ensure safe and proper operation.



- The machine can be leveled by turning the legs clockwise or counterclockwise as necessary.

## External water drain

When drying is in progress, condensed water is pumped into the condensed water container through the drain hose at the back of the dryer. The condensed water can also be drained directly if the machine is installed near a sink or a standpipe so that the condensed water container does not have to be emptied.

Drain hose length . . . . . 4' 11" (1.5 m)

Maximum delivery head . . . . . 4' 11" (1.5 m)

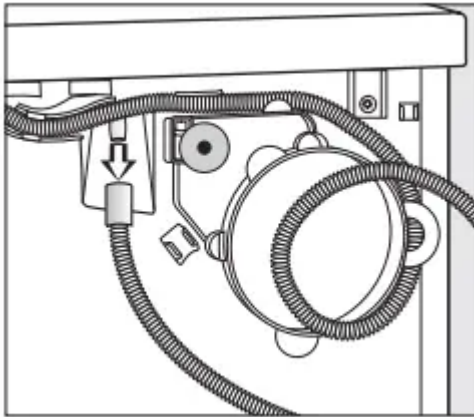
Maximum drain length. . . . . 13 ft (4 m)

If the hose is not long enough, an extension hose is available as an optional accessory from the Miele.

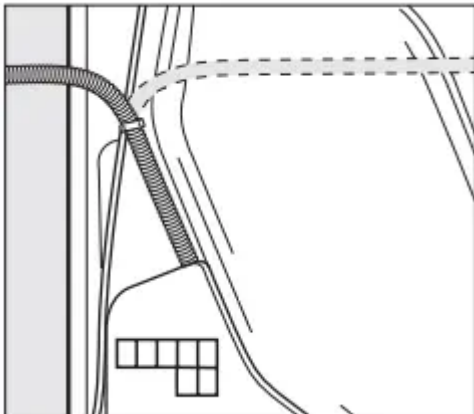
## Installing the drain hose

Do not pull or kink the drain hose, it may be damaged!

- The drain hose holds a small amount of remaining water. Keep a container at hand.



- Pull the drain hose off the holder.
- Drain remaining water in the container.
- Unwind the hose from the holder and carefully pull it from the clamps.



- Guide the hose depending on the installation to the left or right.
- Leave the hose in the middle clamp to prevent the drain hose from becoming kinked.

## Draining the condensed water into a sink

- Secure the hose carefully, e.g. by tying the hose to the water tap, to avoid damage by overflowing water.
- Use the curved guide to prevent the drain hose from becoming kinked (see Front view illustration).

## Connection to a standpipe

- Insert the drain hose into the Y-adapter of the sink.

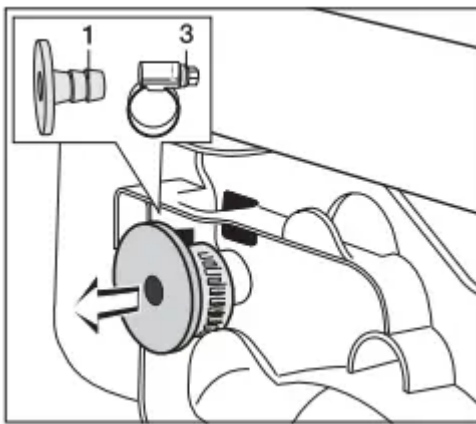
## Installation requirements demanding a non-return valve

To prevent water from flowing back into the machine a non-return valve must be installed at the following installations:

- Installation to a sink standpipe
- Several installation possibilities where additionally another washer or dishwasher is connected to.

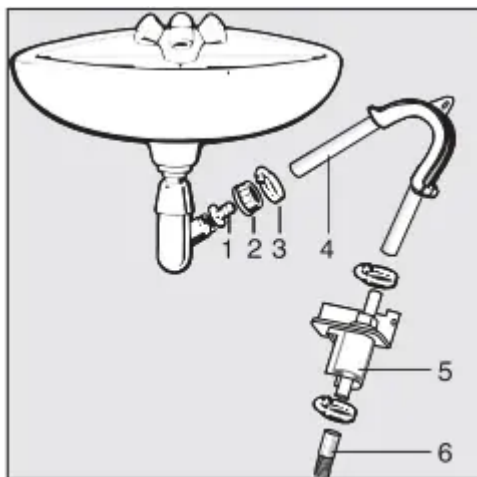
### Example: Connection to a sink standpipe

Connect the drain hose with a non-return valve directly to a sink standpipe.



- Remove the accessories from the top rear of the dryer:

Connector **1** and the hose clamp **3** behind it.



1. Connector
2. Sink connecting nut
3. Hose clamp
4. Hose end


5. Non-return valve

6. Dryer drain hose

- Install the connector **1** with the sink connecting nut **2** to the sink standpipe.

Usually the sink connection nut is equipped with a washer. Please remove the washer.

- Plug the hose end **4** to the connector **1**.
- Using a screwdriver tighten the hose clamp **3** directly behind the sink connecting nut.

 Install the non-return valve **5** vertical or slightly angled. If installed horizontal it will not operate correctly.

- Connect the non-return valve **5** to the dryer drain hose **6**. See illustration for the correct direction.
- Fasten the non-return valve with the hose clamps.

## Frequently asked questions

### Do they install?

No installation.

### Where is it manufactured?

All plants are in Germany.

### Will the dryer do what you tell it to? The dryers in my building are 'smart' and leave items damp. Drying again won't work bc of sensors?

Every now and then you will get an item of clothing that "tricks" the moisture sensor, like when you try to wash down - the sensor will think that the jackets are dry when the nylon shell is dry, but doesn't take into account the damp clumps of down fill inside the shell. In cases like this you can use the timed 45 minute setting several times in a row.

### How deep is this in inches?

Almost 22 inches.

### How does this dryer do drying towels? Take a long time?

Works well. I usually wash and dry six towels together, and it takes regular time, maybe 30-35 minutes, to dry them

### What are the voltage requirements?

Can I run this dryer off a 110 to 220 step-up transformer?

This dryer needs 220. It still takes 2 hours to dry a heavy load.

**Warning**

This content is compiled from multiple sources and is provided for reference purposes only. It may not be complete or fully applicable to all situations. If you are unable to resolve your issue, please contact the product manufacturer or an authorized service provider for official support.

---

Document generated by [ManualsFile](#)